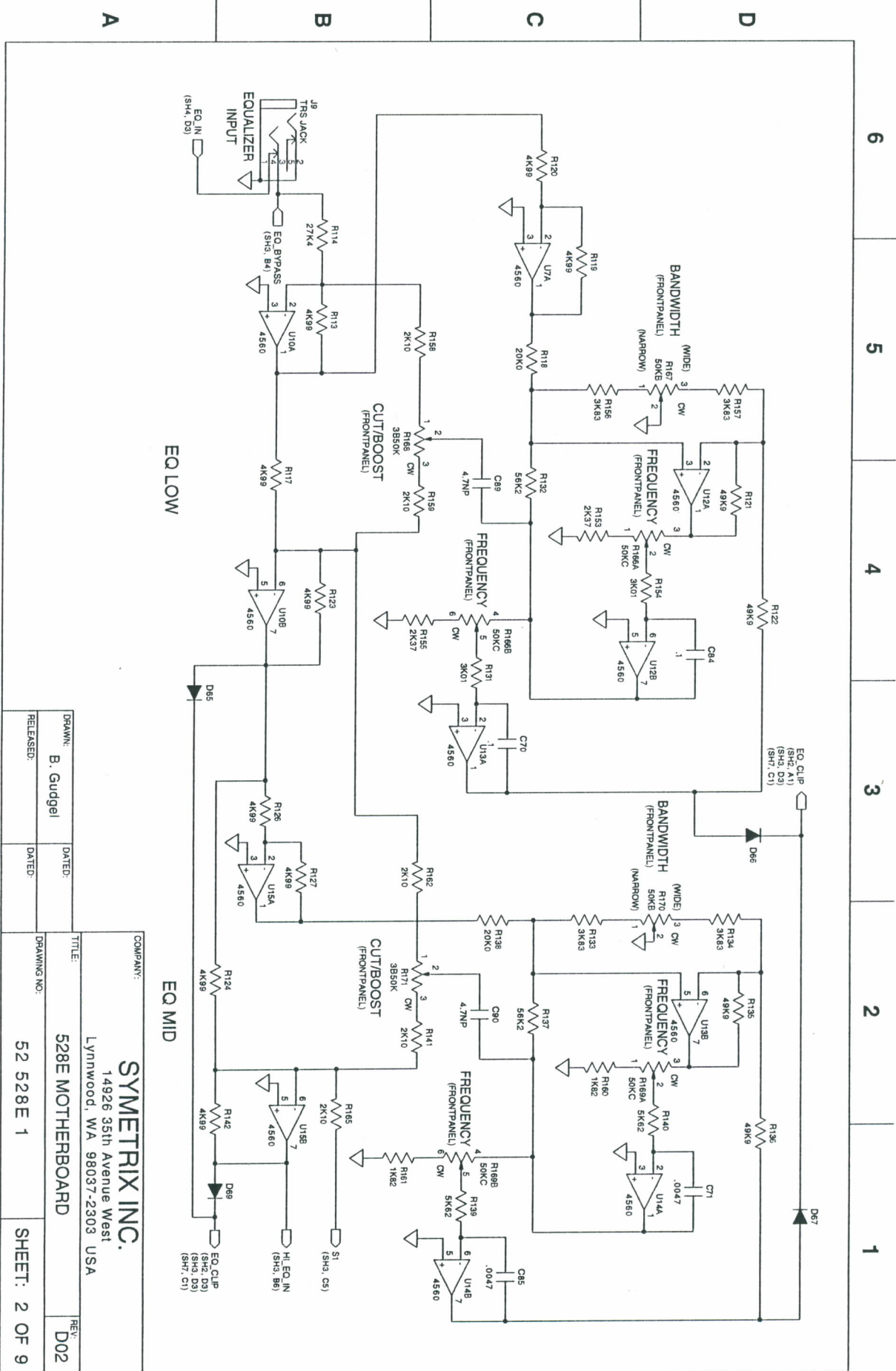
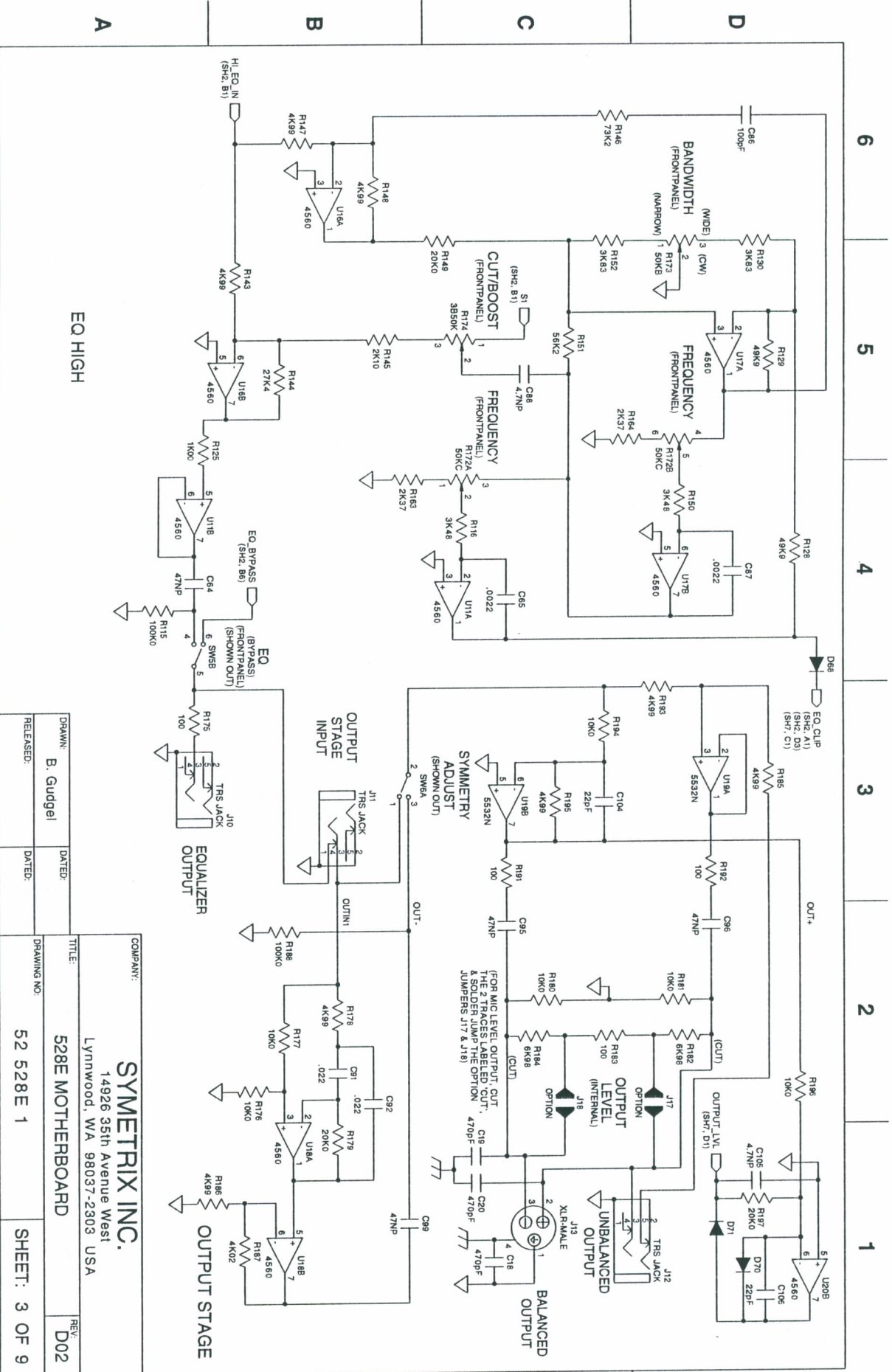


REV	REVISION	DATE
A1	Correct title block & various other. Add rev block.	05/04/95
B.0	Chg mic pre, pwr xfmr, add CE pwr, stable output level switch.	08/18/95
C.0	Changed various resistors. Changed ribbon cables.	11/01/95
D.0	Correct pad layout; changed R15 & R16 from 10K to 30K1; corrected PCB decal for C71, C85.	12/20/95
D.1	SW5B found reversed in schematic only.	05/06/96
D02	Replaced 036013 ribbon cables w/ 036301 types, assigned new P/N to drawing & new filename to schematic.	07/05/96

COMPANY:	SYMETRIX INC.	
	14926 35th Avenue West Lynnwood, WA 98037-2303 USA	
TITLE:	528E MOTHERBOARD	
DRAWING NO:	52 528E 1	REV: D02
DRAWN:	B. Gudgeel	DATED:
RELEASED:		DATED:
SHEET: 1 OF 9		

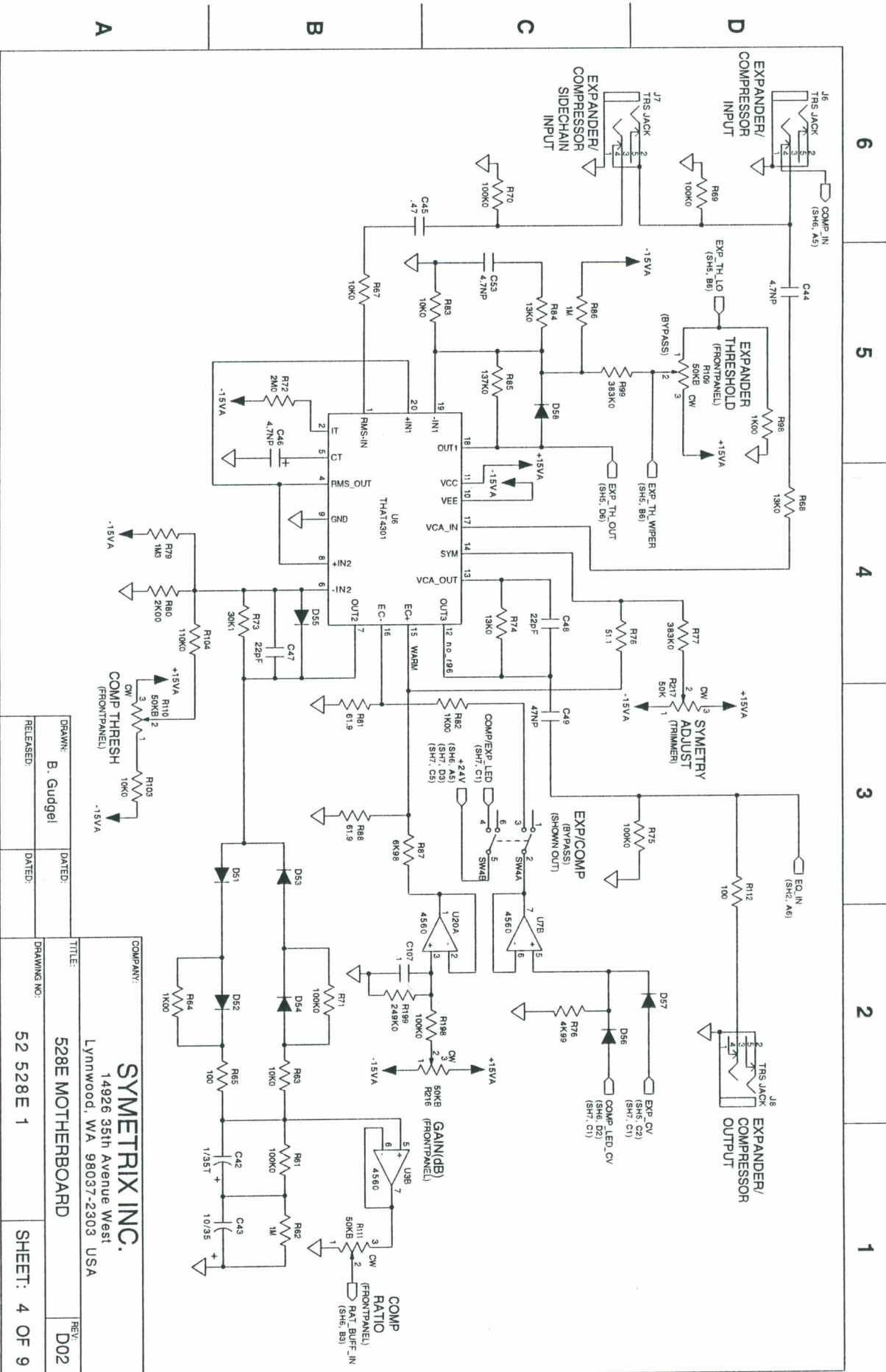


DRAWN: B. Gudgei		DATED:	
RELEASED:		DATED:	
COMPANY: SYMMETRIX INC.		TITLE: 528E MOTHERBOARD	
14926 35th Avenue West		Lynnwood, WA 98037-2303 USA	
DRAWING NO: 52 528E 1		SHEET: 2 OF 9	
REV: D02			



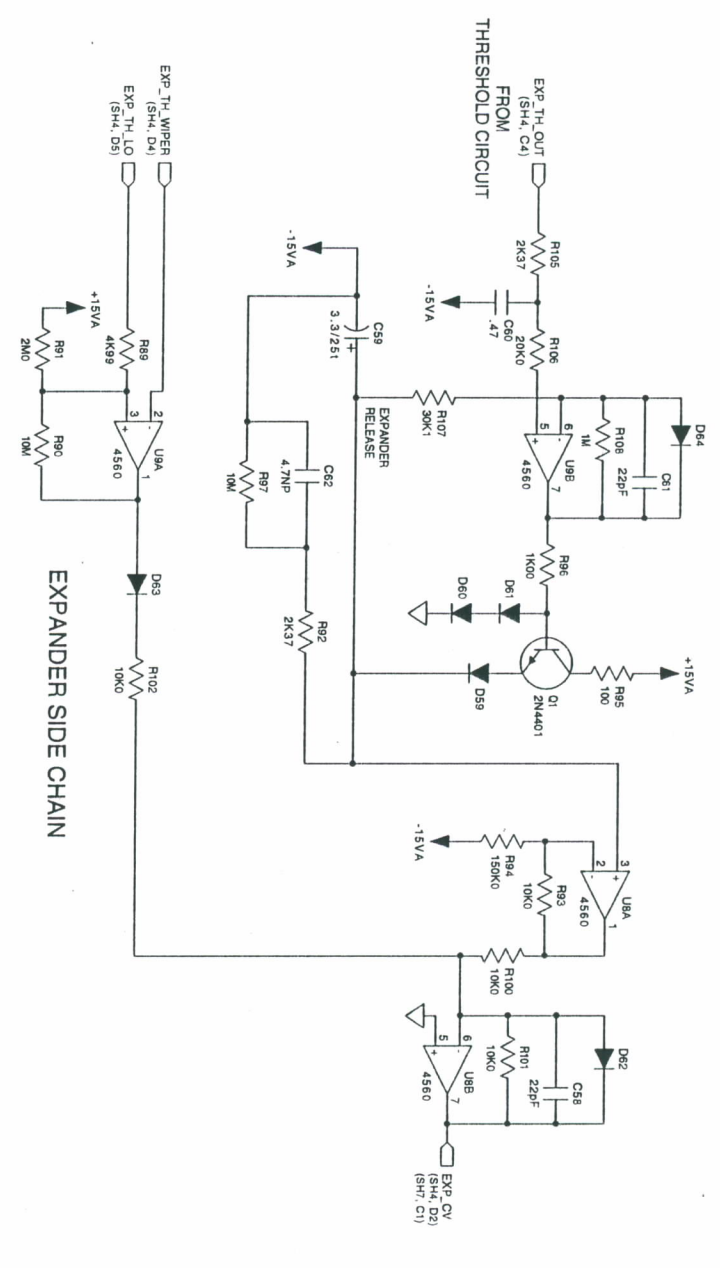
EQ HIGH

COMPANY:	SYMETRIX INC.		
ADDRESS:	14926 35th Avenue West Lynnwood, WA 98037-2303 USA		
TITLE:	528E MOTHERBOARD		
DRAWN:	B. Gudgeal	DATED:	
RELEASED:		DATED:	
DRAWING NO.:	52 528E 1	SHEET:	3 OF 9



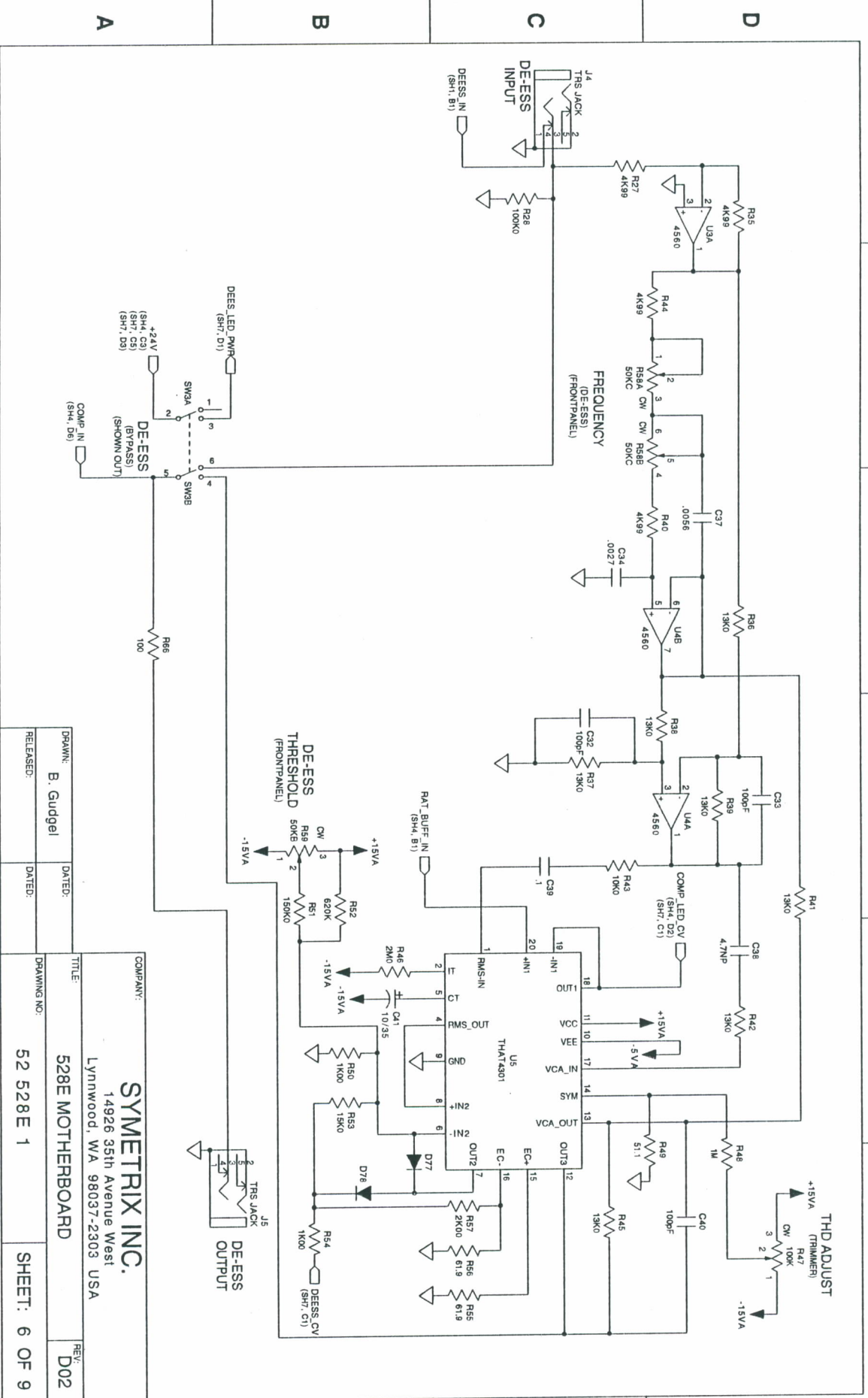
COMPANY:	SYMETRIX INC.
ADDRESS:	14926 35th Avenue West Lynnwood, WA 98037-2303 USA
DATE:	
DESIGNER:	B. Gudgeel
DATE:	
RELEASED:	
DRAWING NO.:	52 528E 1
SHEET:	4 OF 9

TITLE:	528E MOTHERBOARD
REV.:	D02



COMPANY:		SYMETRIX INC.	
DRAWN:		B. Gudgel	
RELEASED:			
DATED:			
DRAWING NO.:		528E MOTHERBOARD	
SHEET:		5 OF 9	
TITLE:		528E MOTHERBOARD	
REV.:		D02	
ADDRESS:		14926 35th Avenue West Lynnwood, WA 98037-2303 USA	

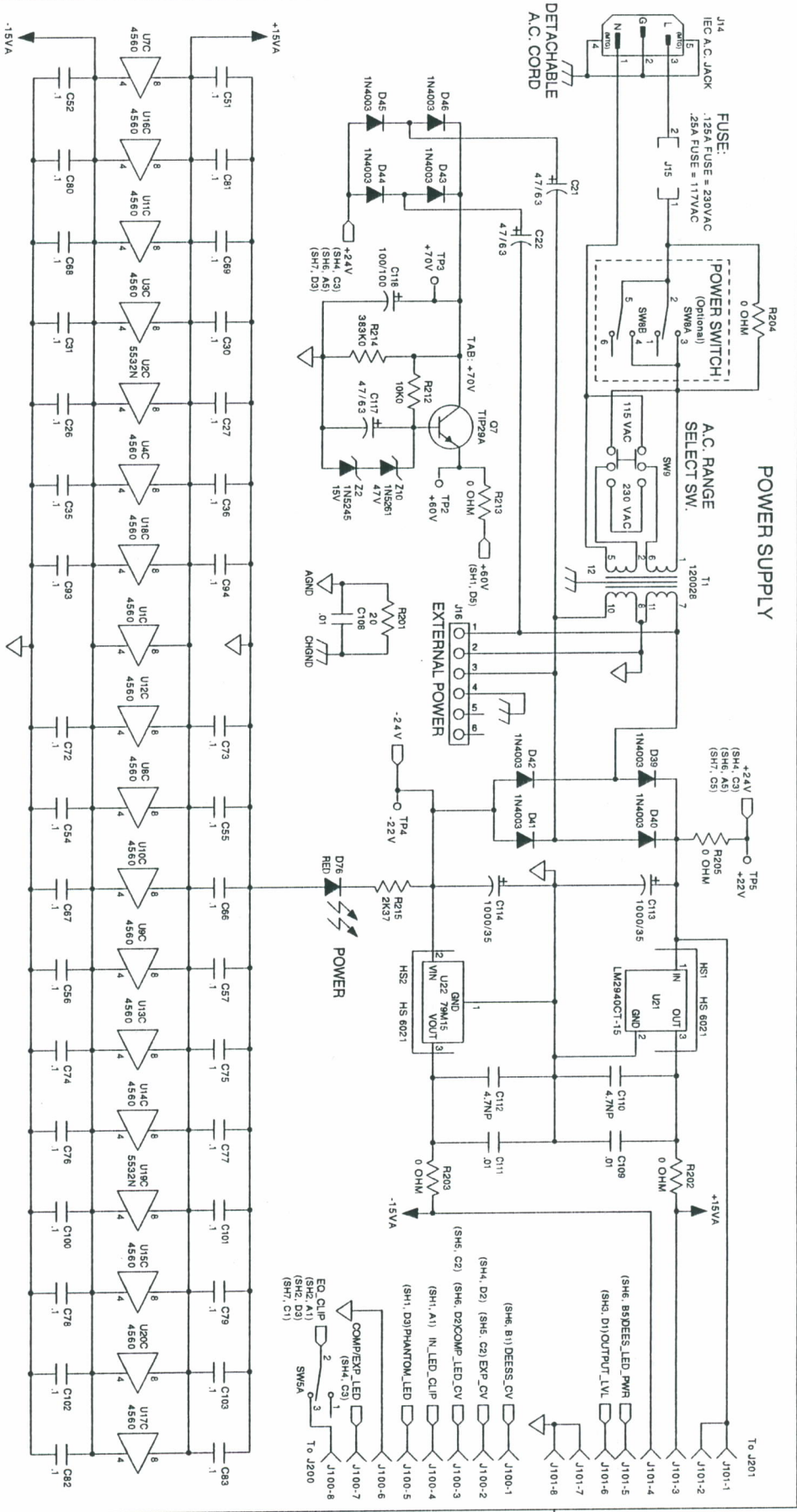
A B C D



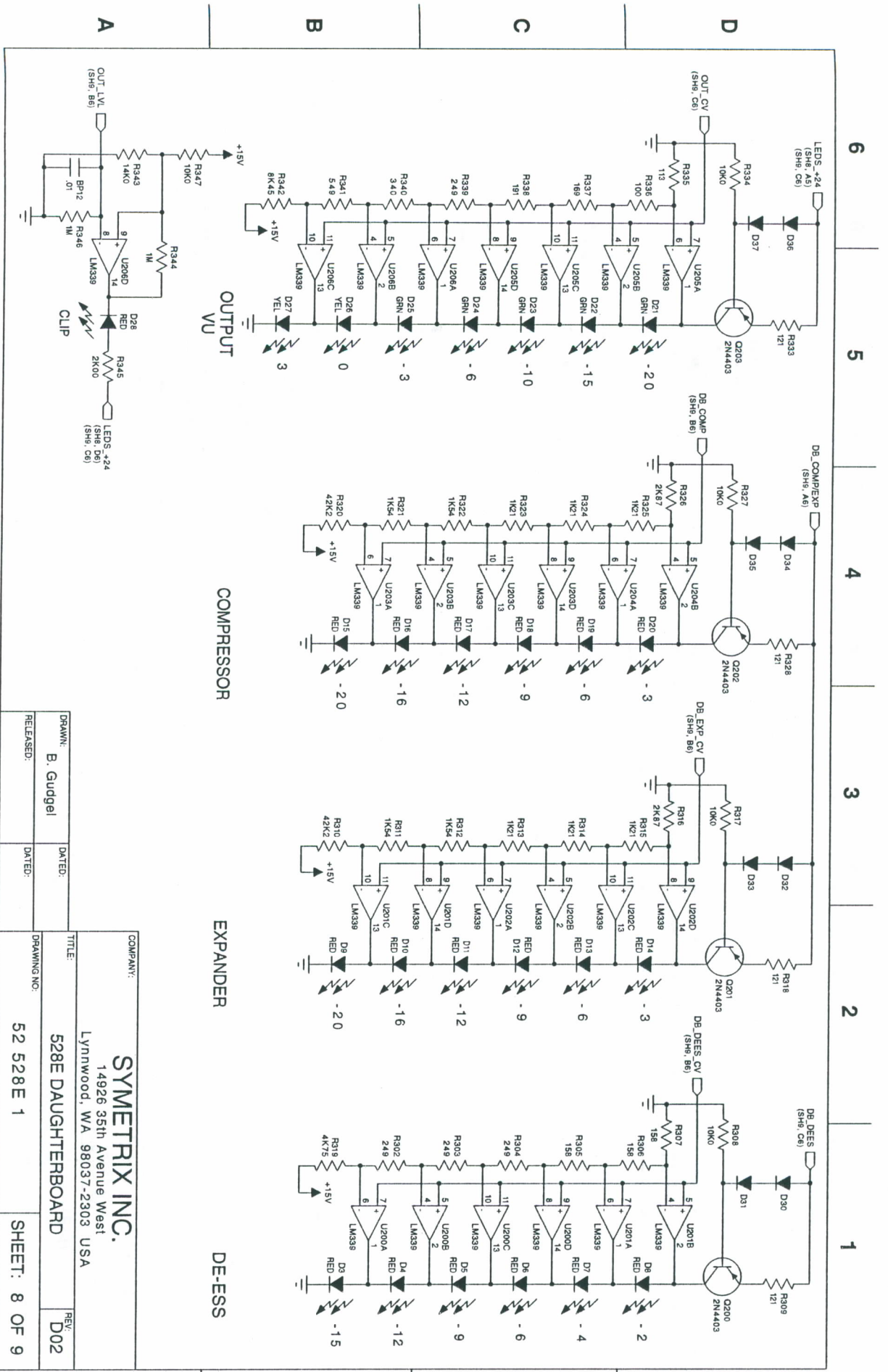
DRAWING NO: 52 528E 1		TITLE: 528E MOTHERBOARD	
DRAWN: B. Gudgeel		DATE: _____	
RELEASED: _____		DATE: _____	
COMPANY: SYMMETRIX INC.		REV: D02	
14926 35th Avenue West			
Lynnwood, WA 98037-2303 USA			
SHEET: 6 OF 9			

6 5 4 3 2 1

POWER SUPPLY



COMPANY:	SYMETRIX INC.		
14926 35th Avenue West	Lynnwood, WA 98037-2303 USA		
TITLE:	528E MOTHERBOARD		
DRAWN:	B. Gudgel	DATED:	
RELEASED:		DATED:	
DRAWING NO:	52 528E 1	SHEET:	7 OF 9



COMPANY:	SYMETRIX INC.		
ADDRESS:	14926 35th Avenue West Lynnwood, WA 98037-2303 USA		
TITLE:	528E DAUGHTERBOARD		
REV:	D02		
DRAWN:	B. Gudgel	DATED:	
RELEASED:		DATED:	
DRAWING NO.:	52 528E 1		SHEET: 8 OF 9