

6

5

4

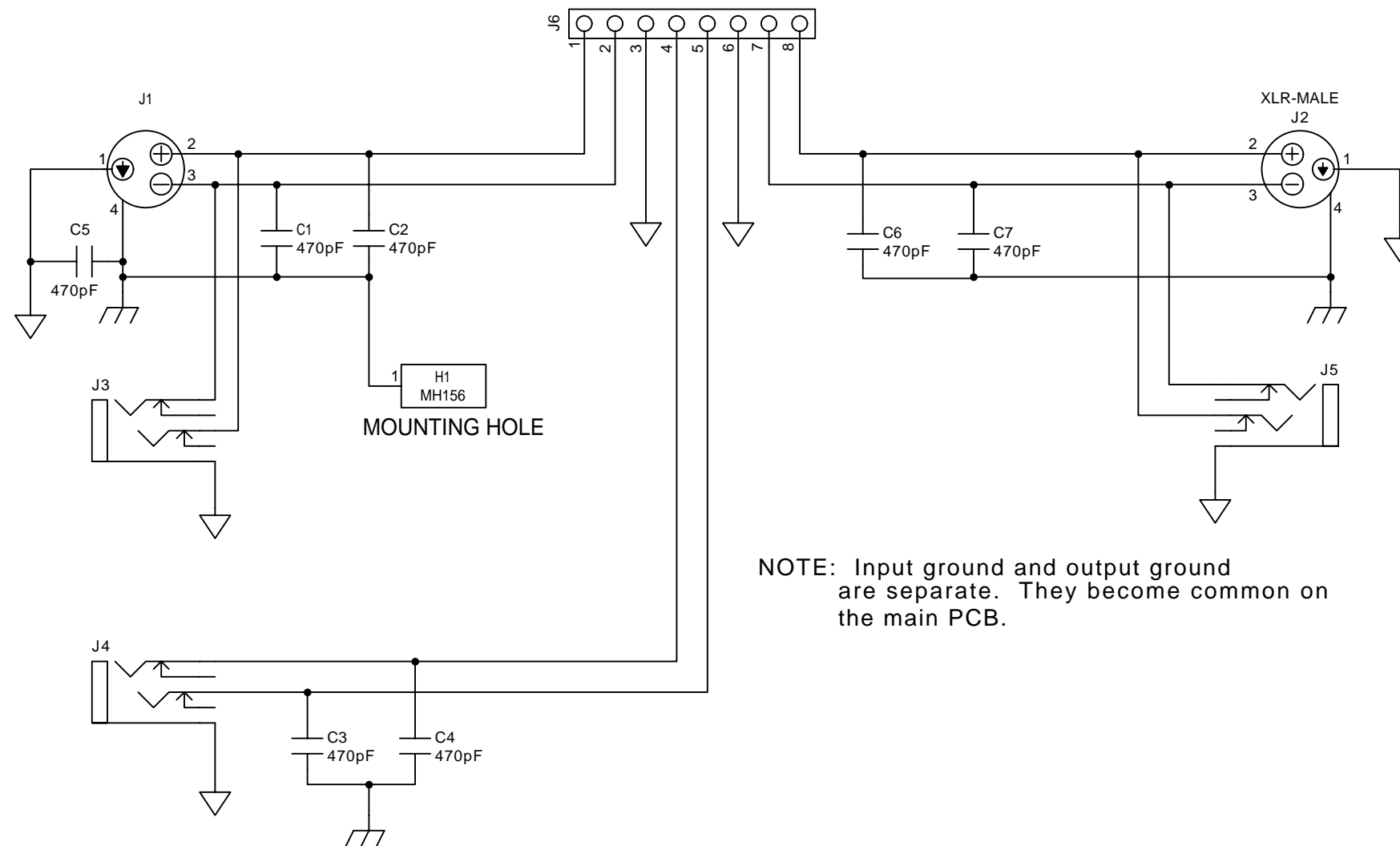
3

2

1

REVISION RECORD		
REV	REVISIONS DONE OR ECO NUMBER:	DATE:
B.00	Delete "pass thru" connection on J4	7/18/97

THIS GENERIC I/O USED ON PRODUCTS WITH A NEED FOR EXTERNAL SIDE CHAIN



NOTE: Input ground and output ground are separate. They become common on the main PCB.

COMPANY:		<b>SYMETRIX INC.</b>	
		14926 35th Avenue West Lynnwood, WA 98037-2303 USA	
TITLE:		GENERIC I/O - WITH SIDE CHAIN	REV: A.00
DRAWING NO:		GIO-3B00	SHEET: 1 OF 1

DRAWN:	RB	DATED:	2/5/97
RELEASED:		DATED:	

D

C

B

A

D

C

B

A