

6

5

4

3

2

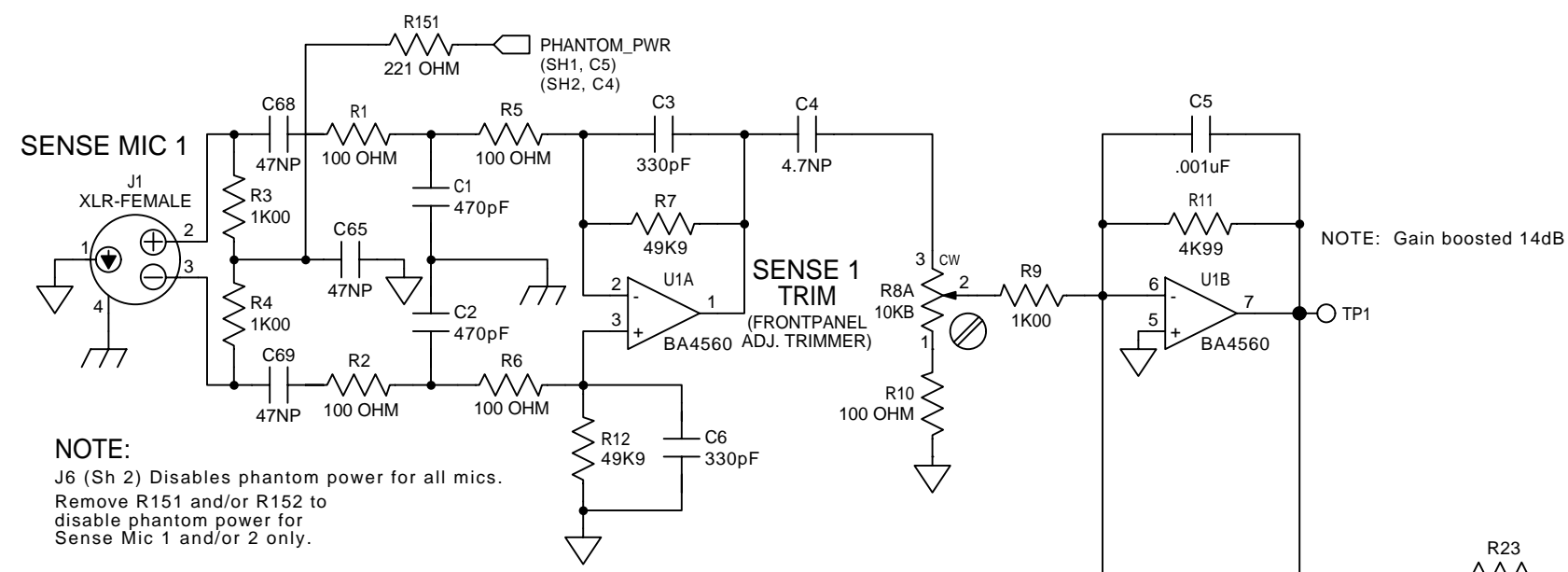
1

REVISION RECORD		
LTR	REVISIONS DONE OR ECO NUMBER:	DATE:
F6	Changed C62 and 63 to 22uF/25V non-polar.	9/13/95
0.1	U.L. & other modifications.	2/2/96
0.2	U.L. & other mods, take #2...	05/02/96
A00	Del TP5 (Sh2), rename TP1 (Sh4) RS232, chg R9, 20 from 4K99 > 1K00; R33 3K01 > 1K37.	07/23/96
A01	Change R11 to 1K00, C5 to .001uF	10/15/96
A02	Change R10,21 from 499 to 100 Ohm. Change R11 from 1K to 4K99.	10/14/97

Note: PCB remains at A.01

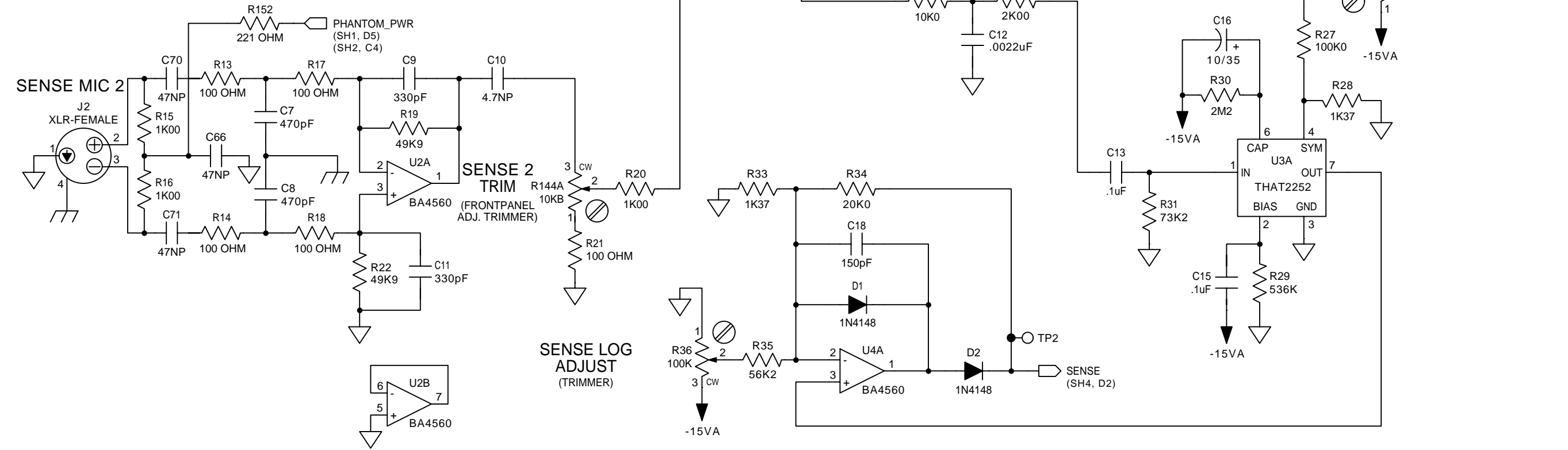
D

D



C

C



B

B

A

A

COMPANY: **SYMETRIX INC.**
 14926 35th Avenue West
 Lynnwood, WA 98037-2303 USA

TITLE: **571 SCHEMATIC**

DRAWING NO: **52 571- 1**

SHEET: **1 OF 6**

REV: **A02**

DRAWN:	DATED: 2/2/96
RELEASED:	DATED:

6

5

4

3

2

1

D

D

C

C

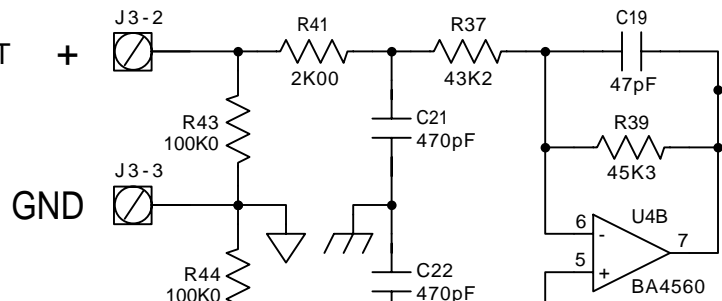
B

B

A

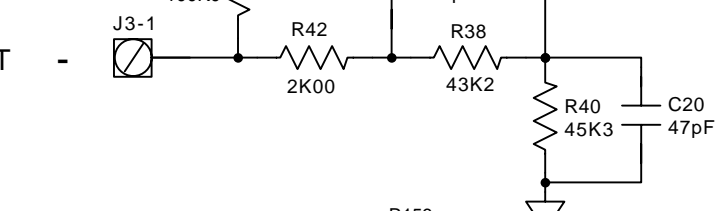
A

MUSIC INPUT +

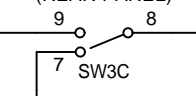


GND

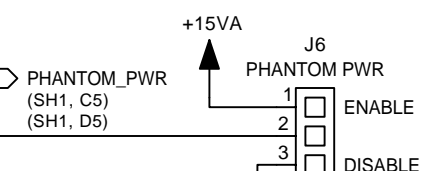
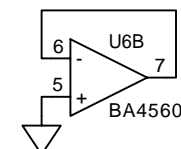
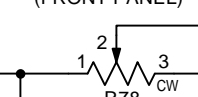
MUSIC INPUT -



FORMAT PAGE/MUSIC (REAR PANEL)

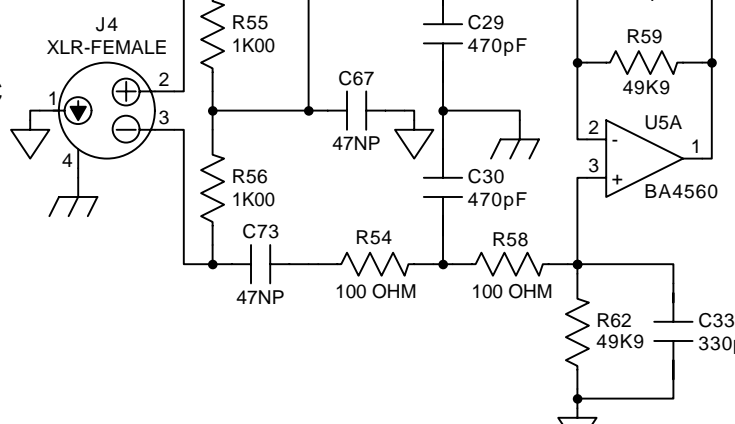


PAGE OVER MUSIC (FRONT PANEL)

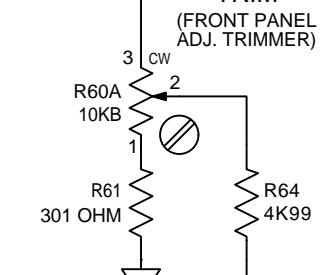


NOTE:
J6 disables phantom power for all mics. Remove R153 to disable phantom power for page mic only.

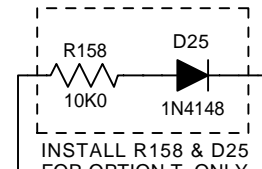
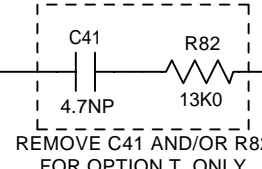
PAGE MIC INPUT



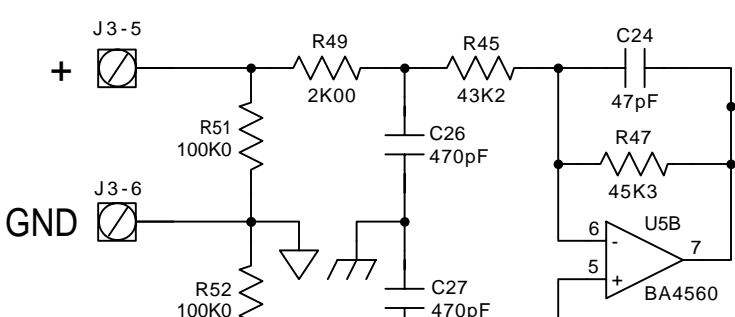
PAGE MIC TRIM (FRONT PANEL ADJ. TRIMMER)



VOICE (SH3, A6)

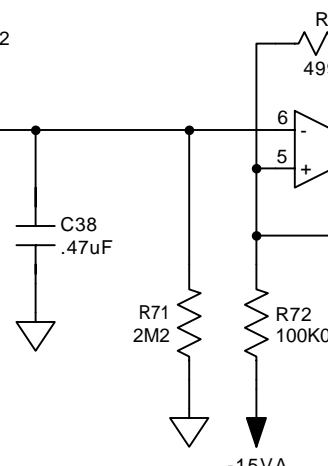
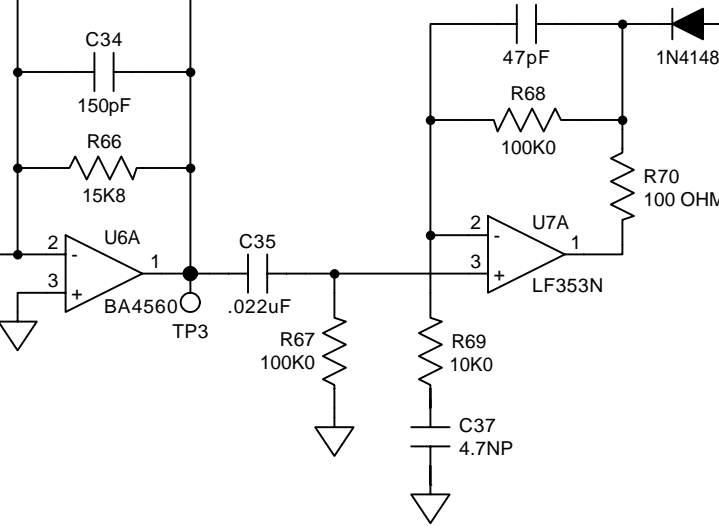
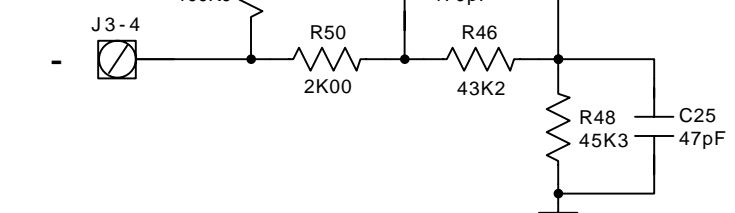


PAGE LINE INPUT +



GND

PAGE LINE INPUT -



COMPANY: **SYMETRIX INC.**
14926 35th Avenue West
Lynnwood, WA 98037-2303 USA

DRAWN: DATED: 2/2/96
RELEASED: DATED:

TITLE: **571 SCHEMATIC** REV: A02
DRAWING NO: 52 571- 1 SHEET: 2 OF 6

6

5

4

3

2

1

D

D

C

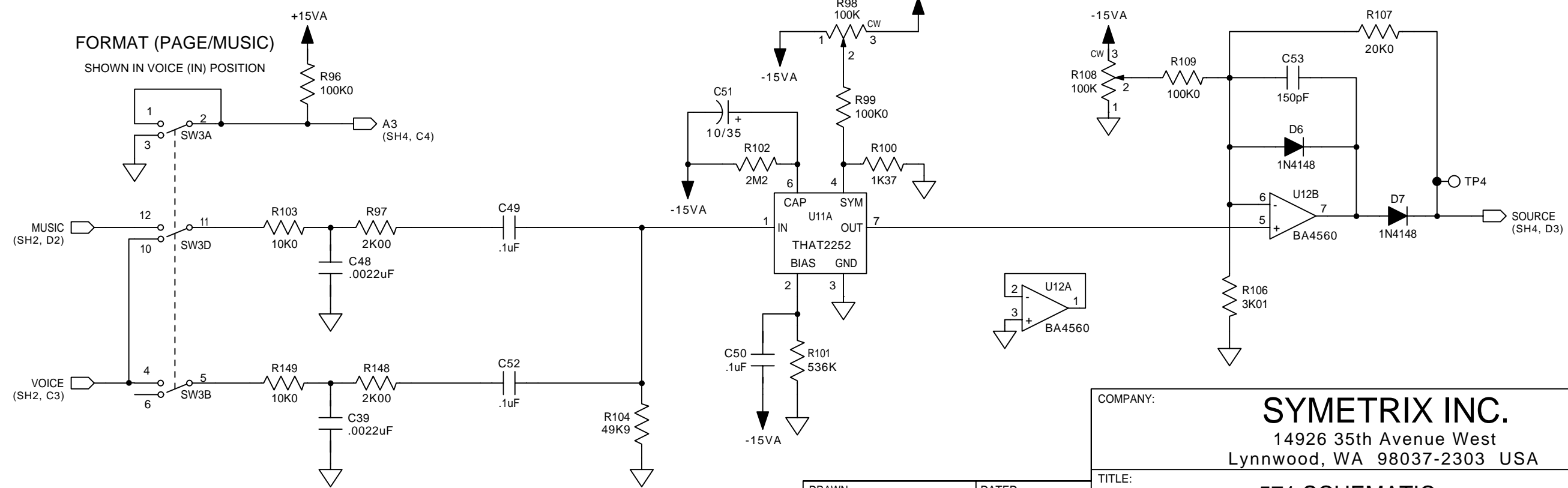
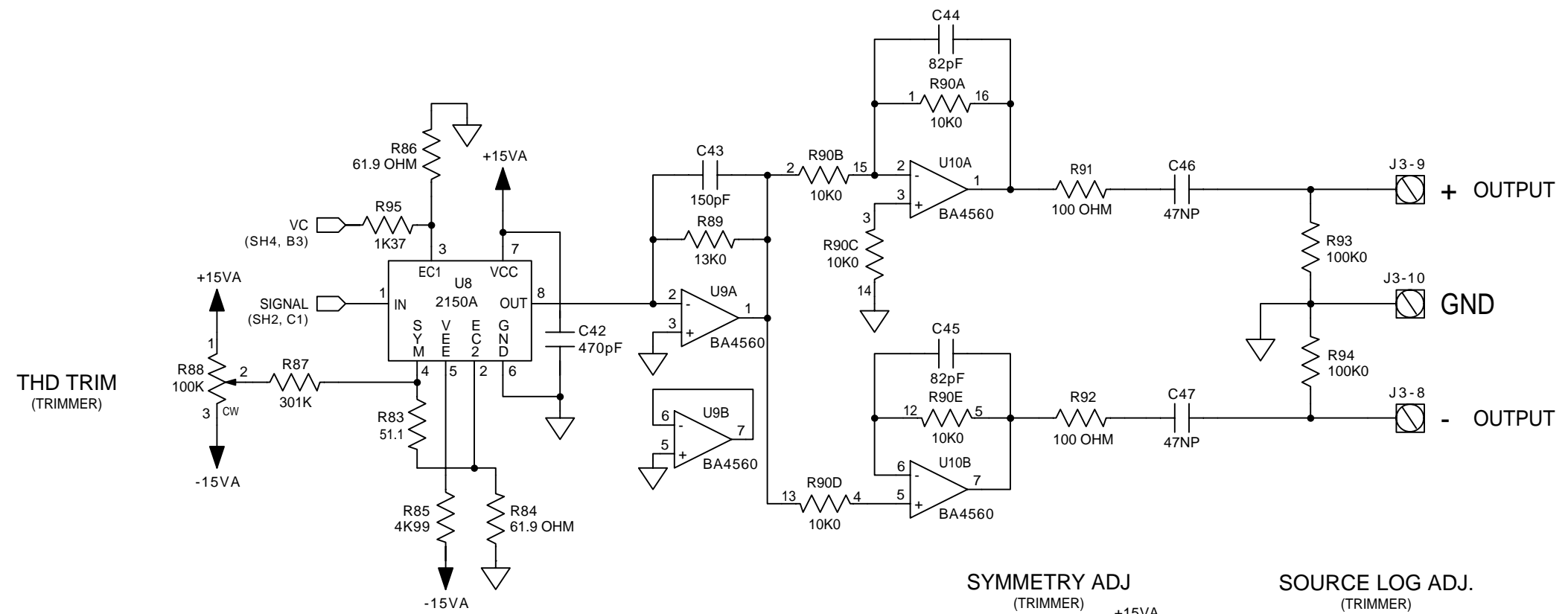
C

B

B

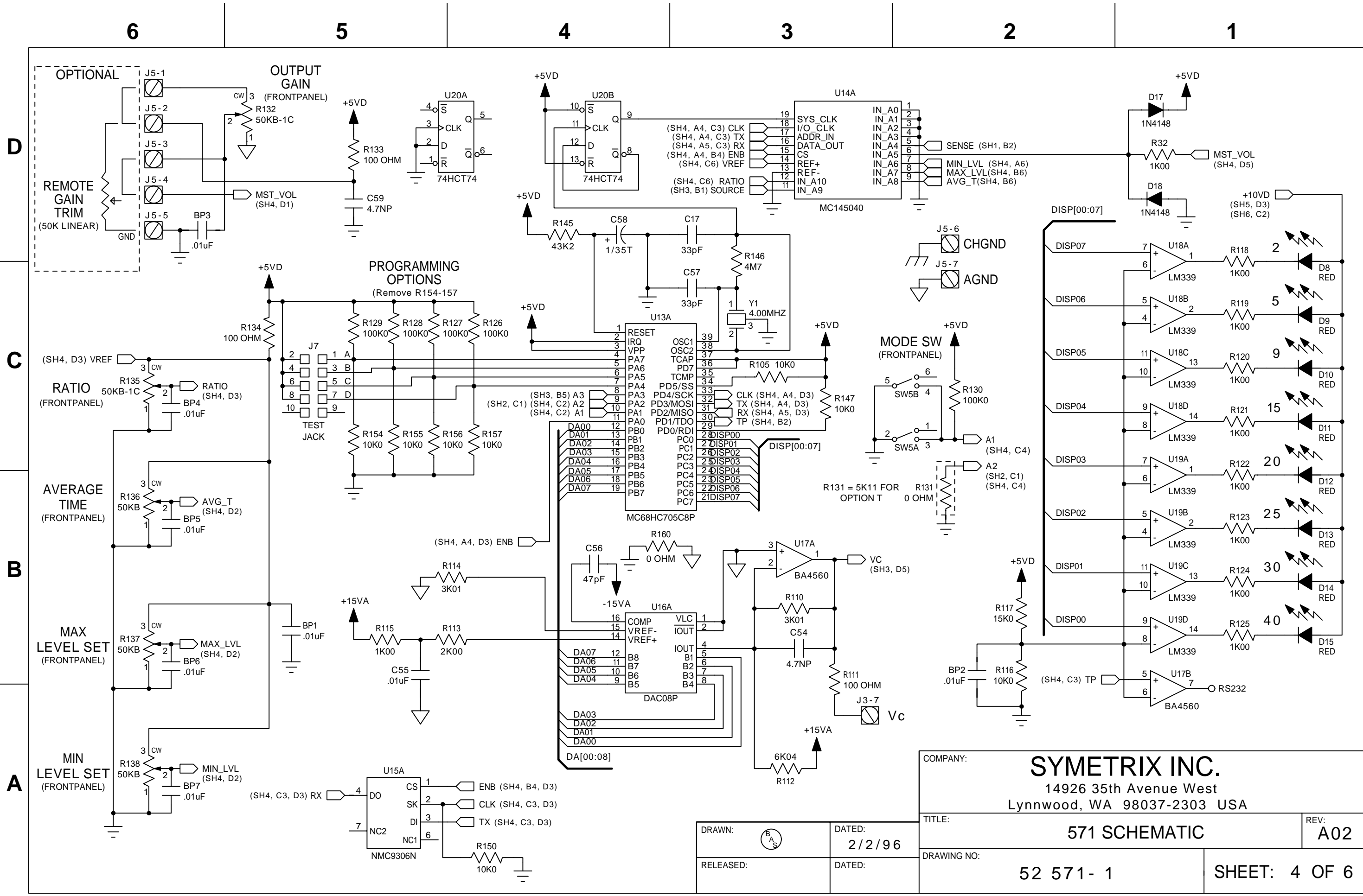
A

A



COMPANY:		SYMETRIX INC.	
		14926 35th Avenue West Lynnwood, WA 98037-2303 USA	
TITLE:		571 SCHEMATIC	REV: A02
DRAWING NO:		52 571- 1	SHEET: 3 OF 6

DRAWN:	DATED:
	2/2/96
RELEASED:	DATED:



COMPANY:		SYMETRIX INC.	
		14926 35th Avenue West Lynnwood, WA 98037-2303 USA	
TITLE:		571 SCHEMATIC	REV: A02
DRAWING NO:		52 571- 1	SHEET: 4 OF 6

DRAWN:		DATED:	2/2/96
RELEASED:		DATED:	

6

5

4

3

2

1

D

D

C

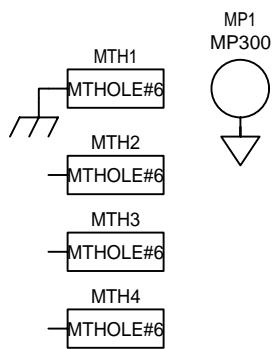
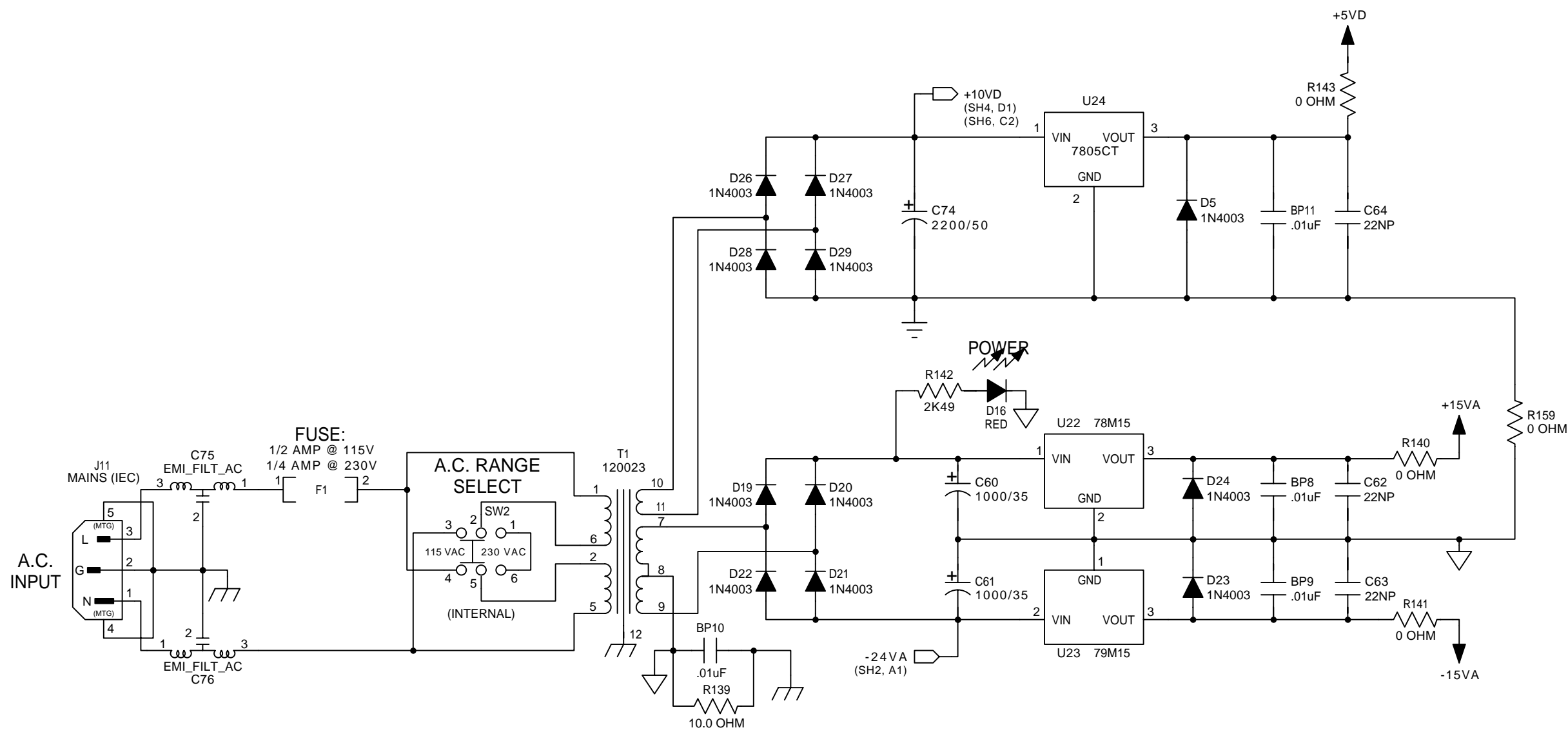
C

B

B

A

A



COMPANY:		SYMETRIX INC.	
		14926 35th Avenue West Lynnwood, WA 98037-2303 USA	
TITLE:		571 SCHEMATIC	REV: A02
DRAWING NO:		52 571- 1	SHEET: 5 OF 6

DRAWN:	DATED:
	2/2/96
RELEASED:	DATED:

6

5

4

3

2

1

D

D

C

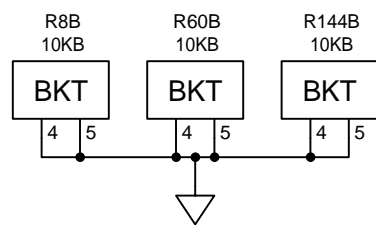
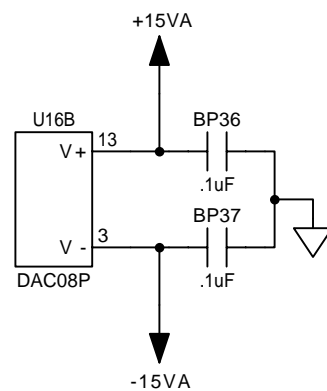
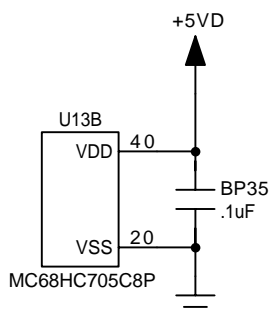
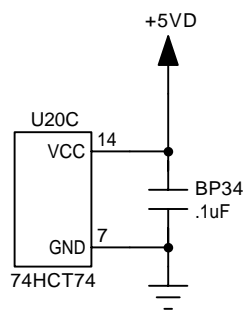
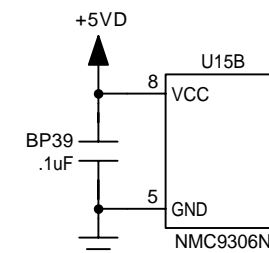
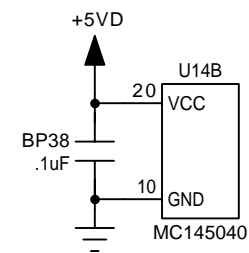
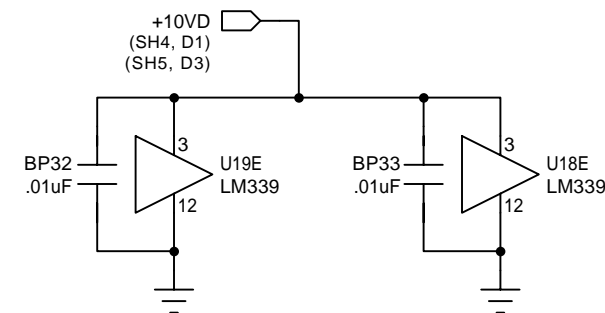
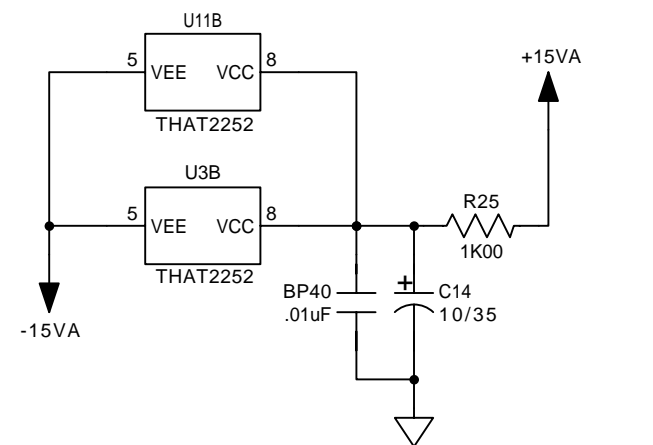
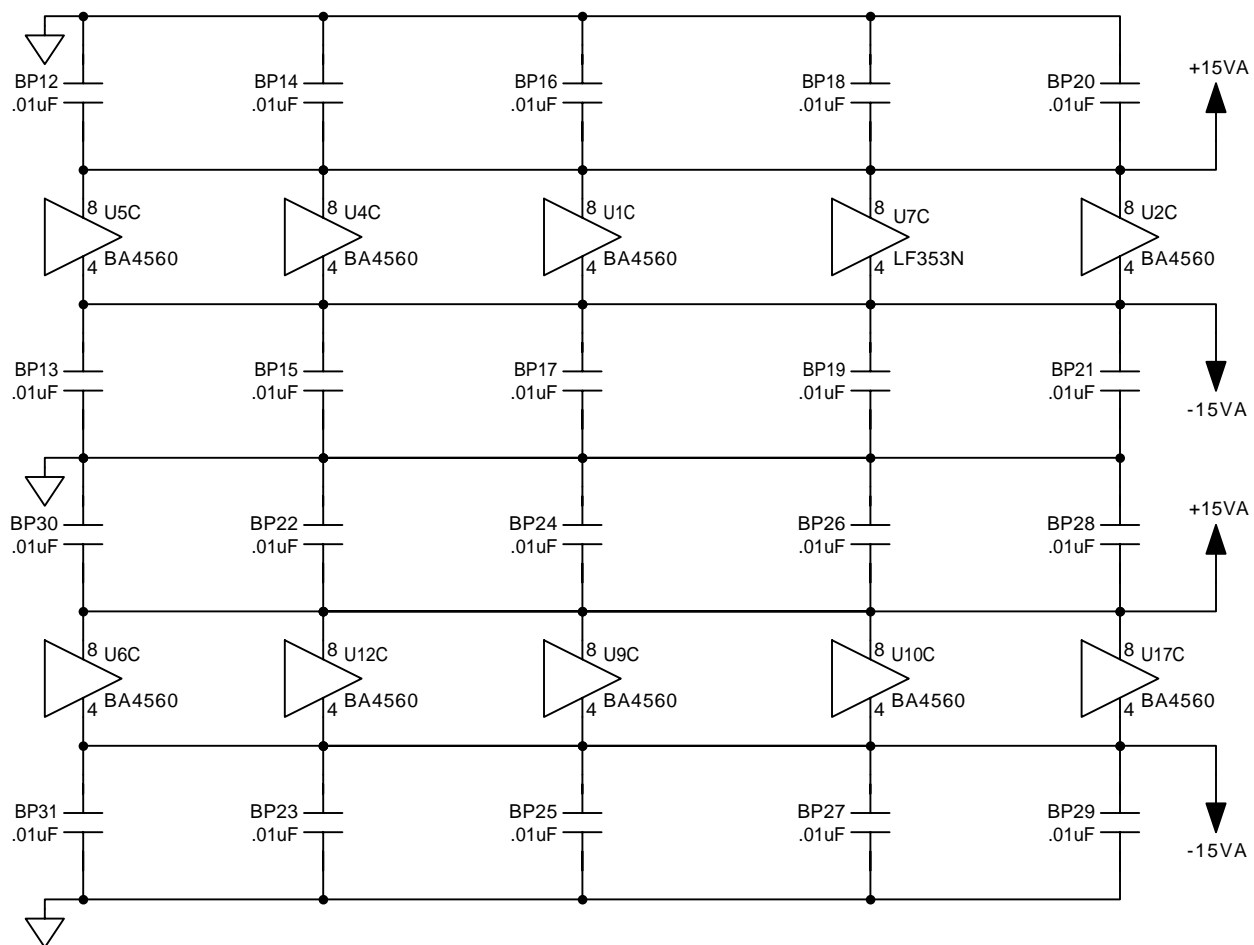
C

B

B

A

A



COMPANY:		SYMETRIX INC.	
		14926 35th Avenue West Lynnwood, WA 98037-2303 USA	
TITLE:		571 SCHEMATIC	
DRAWING NO:		52 571- 1	
REV:		A02	
SHEET:		6 OF 6	

DRAWN:	DATED:
	2/2/96
RELEASED:	DATED: