

6

5

4

3

2

1

REVISION RECORD		
LTR	REVISIONS DONE OR ECO NUMBER:	DATE:
F1	AS PER ECR 571-2 AND 571-3	7/19/93
F2	ECO 571-4	B.G. 8/24/93
F4	ECO 571-7, & COMBINED 5% & 1% R VALUE	8/15/95
F5	Changed R150 to 10K; corrected R108/R109 connections.	3/14/95
F6	Changed C63 to 22uF/25V non-polar.	9/13/95

D

D

C

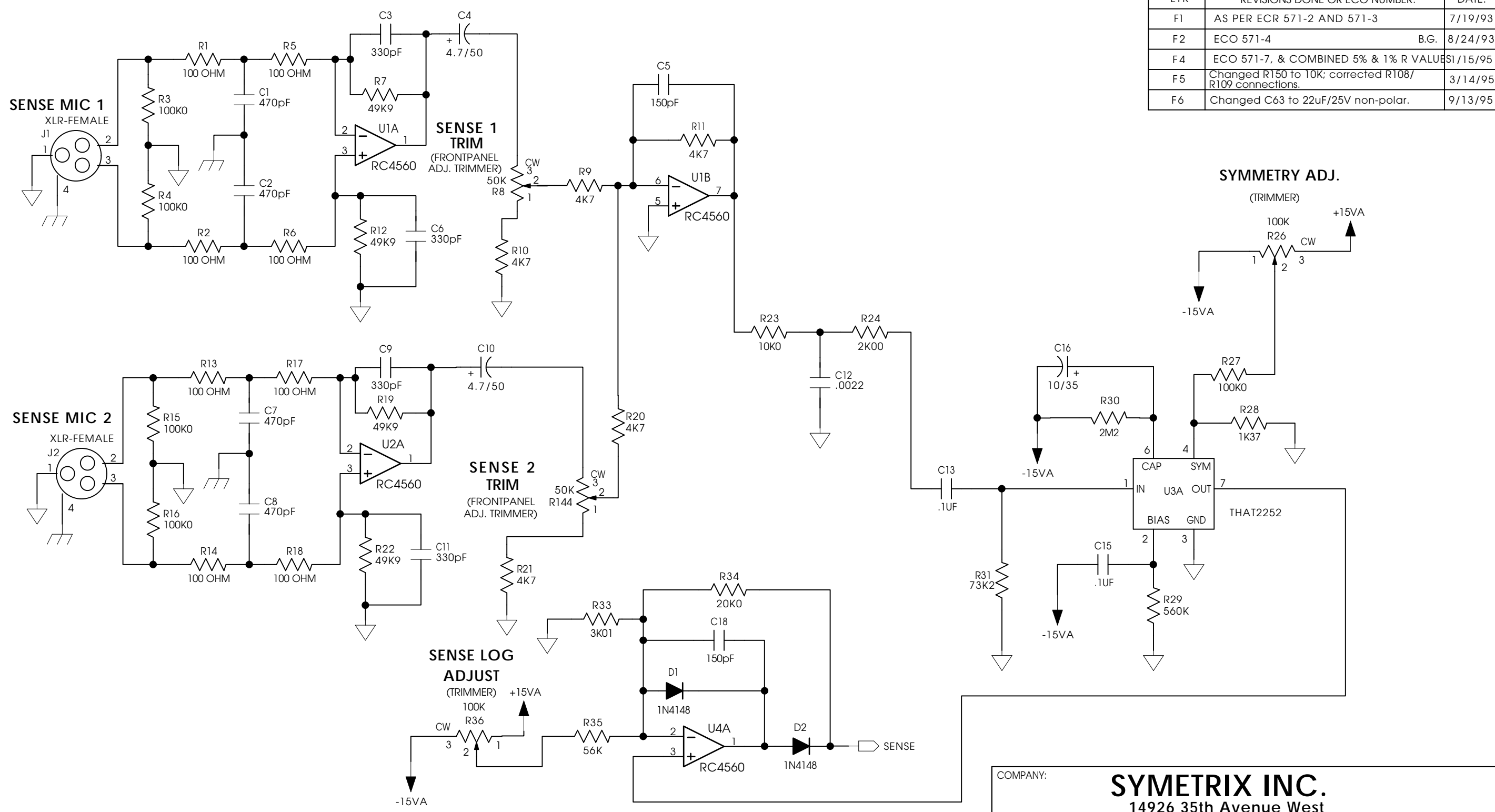
C

B

B

A

A



COMPANY: **SYMETRIX INC.**
 14926 35th Avenue West
 Lynnwood, WA 98037-2303 USA

TITLE: **571 SCHEMATIC** REV: **F6**

DRAWING NO: **021740** SHEET: **1 OF 6**

DRAWN:	DATED:
RELEASED:	DATED:

6

5

4

3

2

1

D

D

C

C

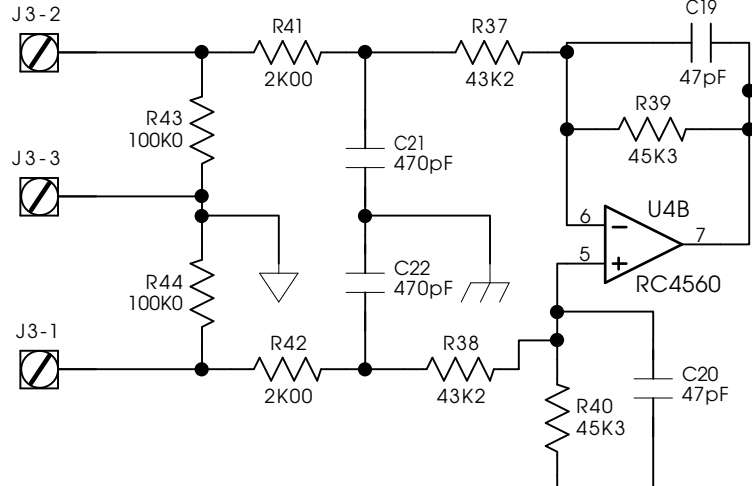
B

B

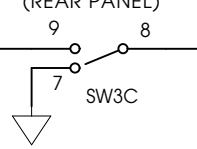
A

A

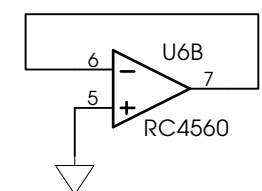
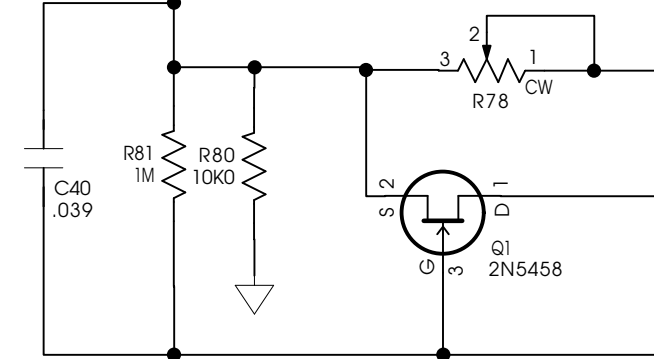
MUSIC INPUT +



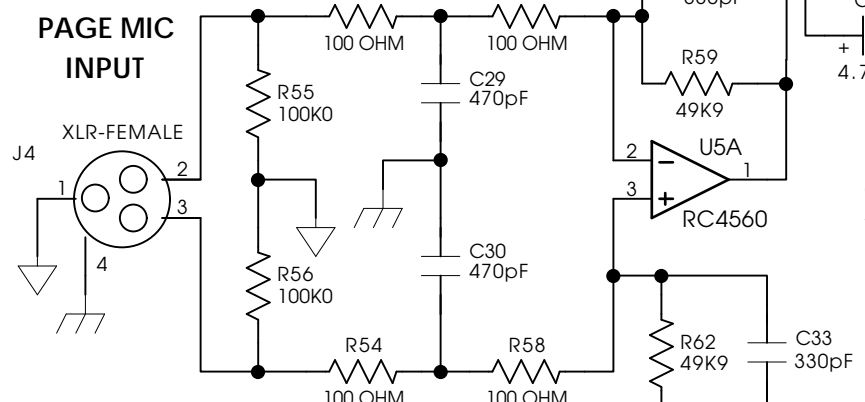
FORMAT PAGE/MUSIC (REAR PANEL)



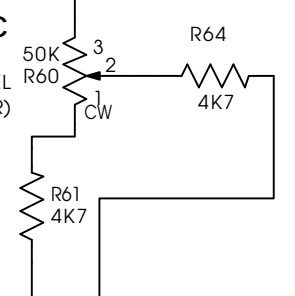
PAGE OVER MUSIC (FRONT PANEL)



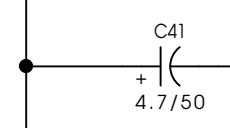
PAGE MIC INPUT



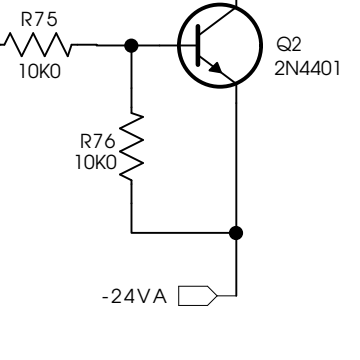
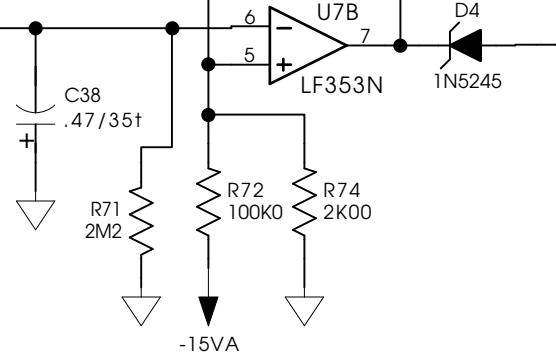
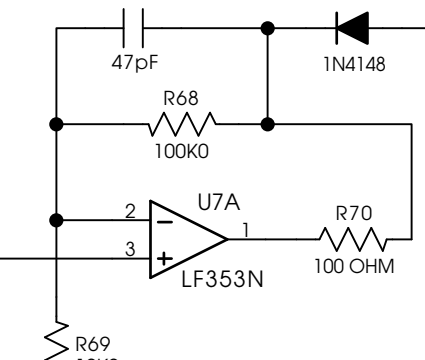
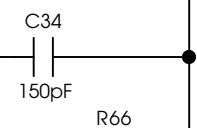
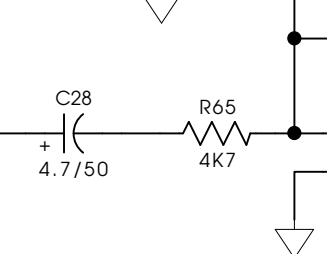
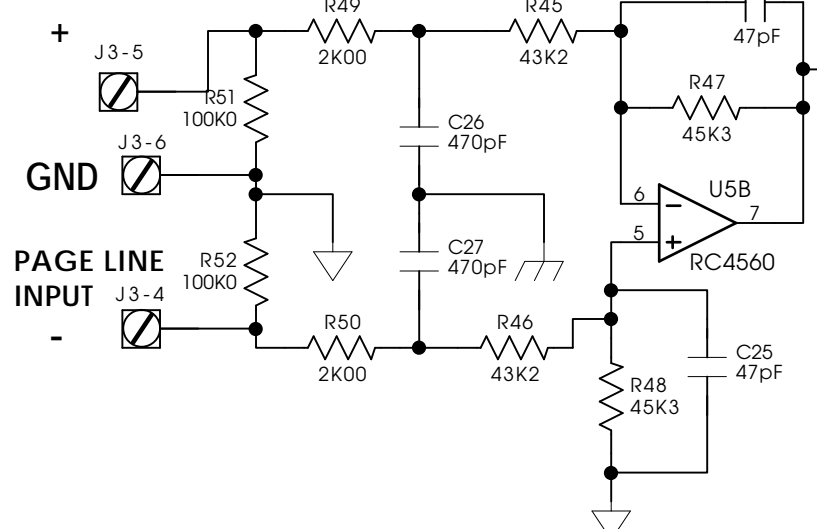
PAGE MIC TRIM (FRONT PANEL ADJ. TRIMMER)



VOICE



PAGE LINE INPUT +



COMPANY:		SYMETRIX INC.	
		14926 35th Avenue West Lynnwood, WA 98037-2303 USA	
TITLE:		571 SCHEMATIC	REV: F6
DRAWING NO:		021740-SCH	SHEET: 2 OF 6
DRAWN:	DATED:		
RELEASED:	DATED:		

6

5

4

3

2

1

D

D

C

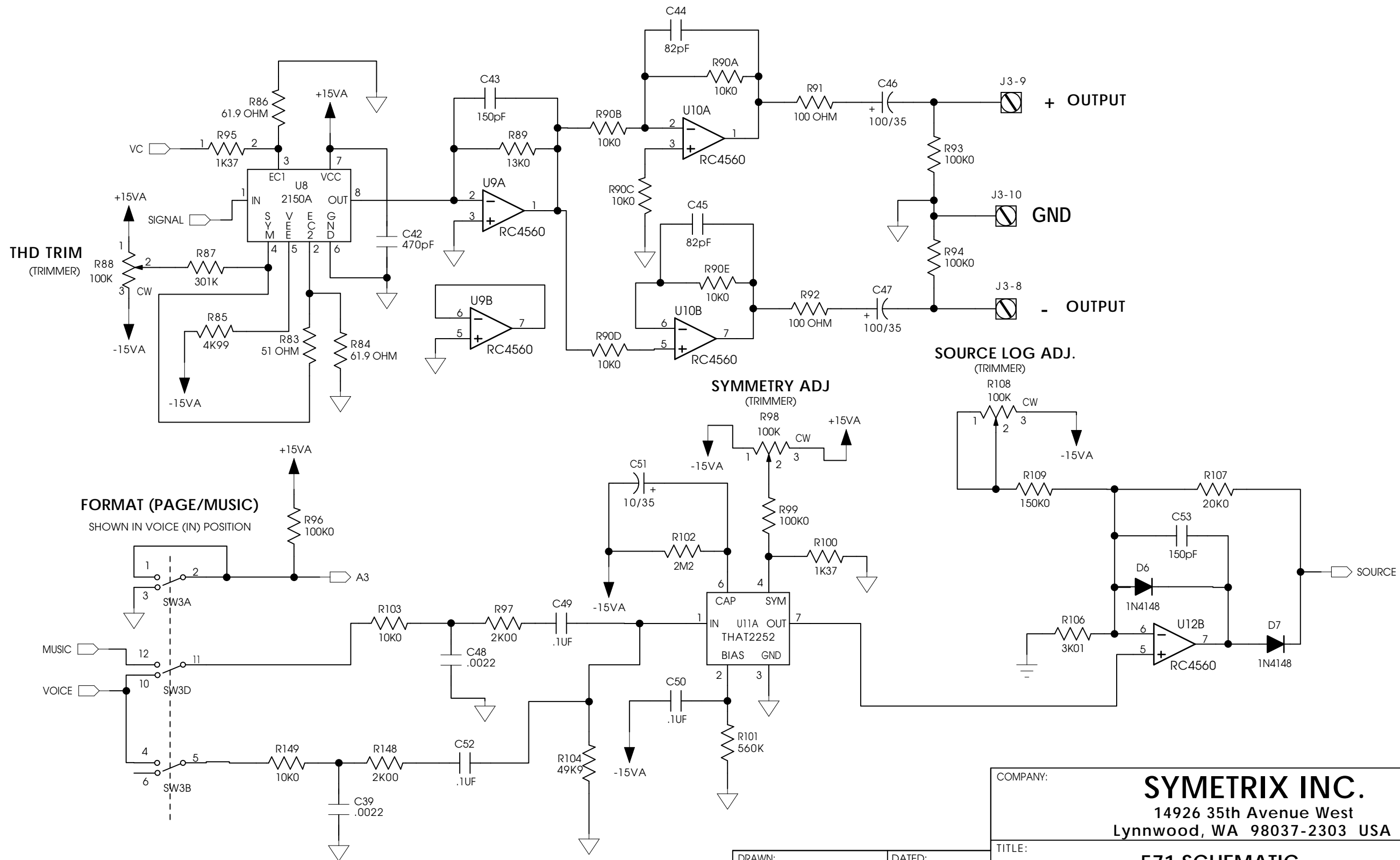
C

B

B

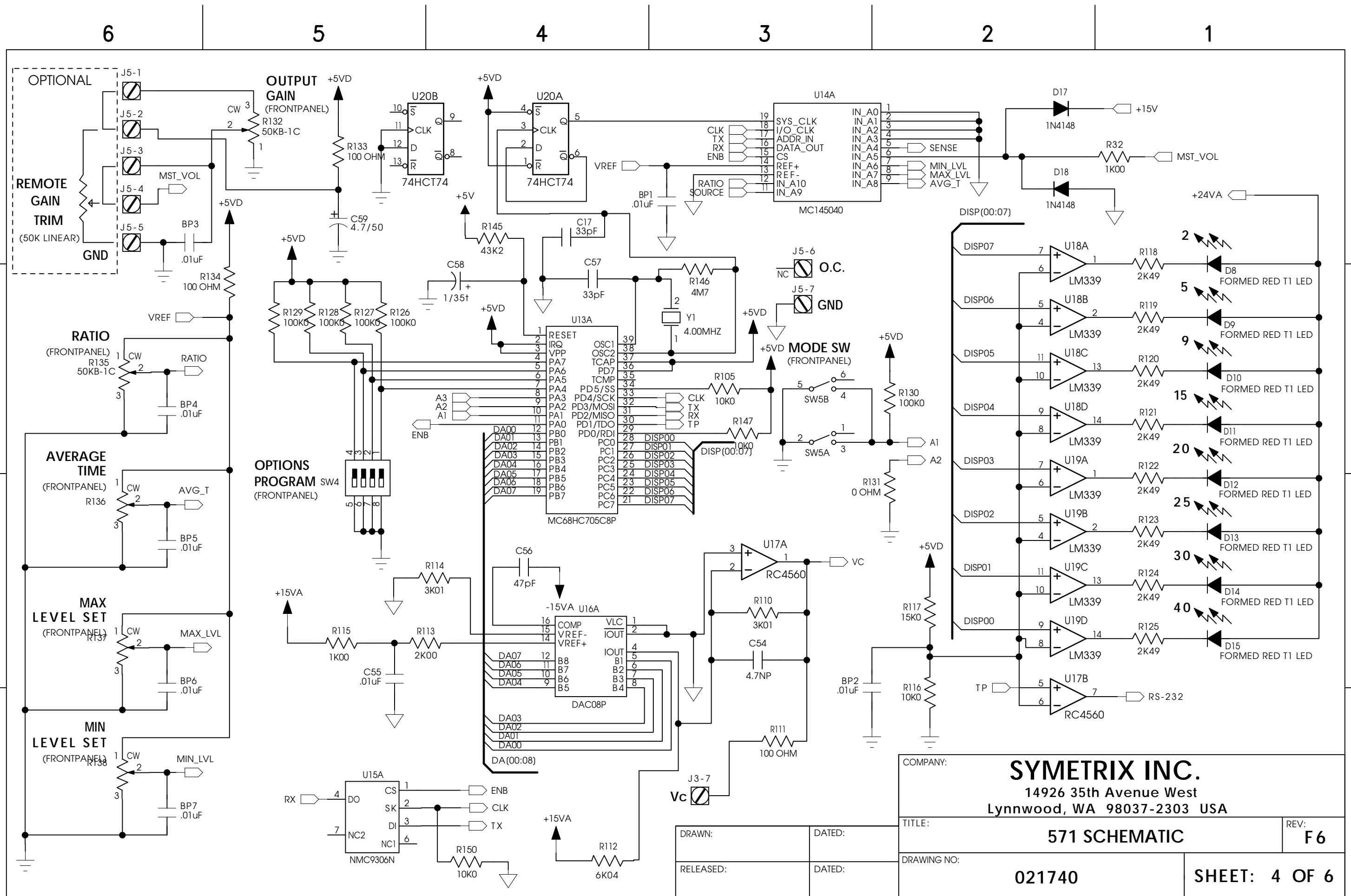
A

A



COMPANY:		SYMETRIX INC.	
		14926 35th Avenue West Lynnwood, WA 98037-2303 USA	
TITLE:		571 SCHEMATIC	REV: F6
DRAWING NO:		021740	SHEET: 3 OF 6

DRAWN:	DATED:
RELEASED:	DATED:



COMPANY:		SYMETRIX INC.	
		14926 35th Avenue West	
		Lynnwood, WA 98037-2303 USA	
TITLE:		571 SCHEMATIC	
DRAWING NO:		021740	
REV:		F 6	
SHEET:		4 OF 6	

DRAWN:	DATED:
RELEASED:	DATED:

6

5

4

3

2

1

D

C

B

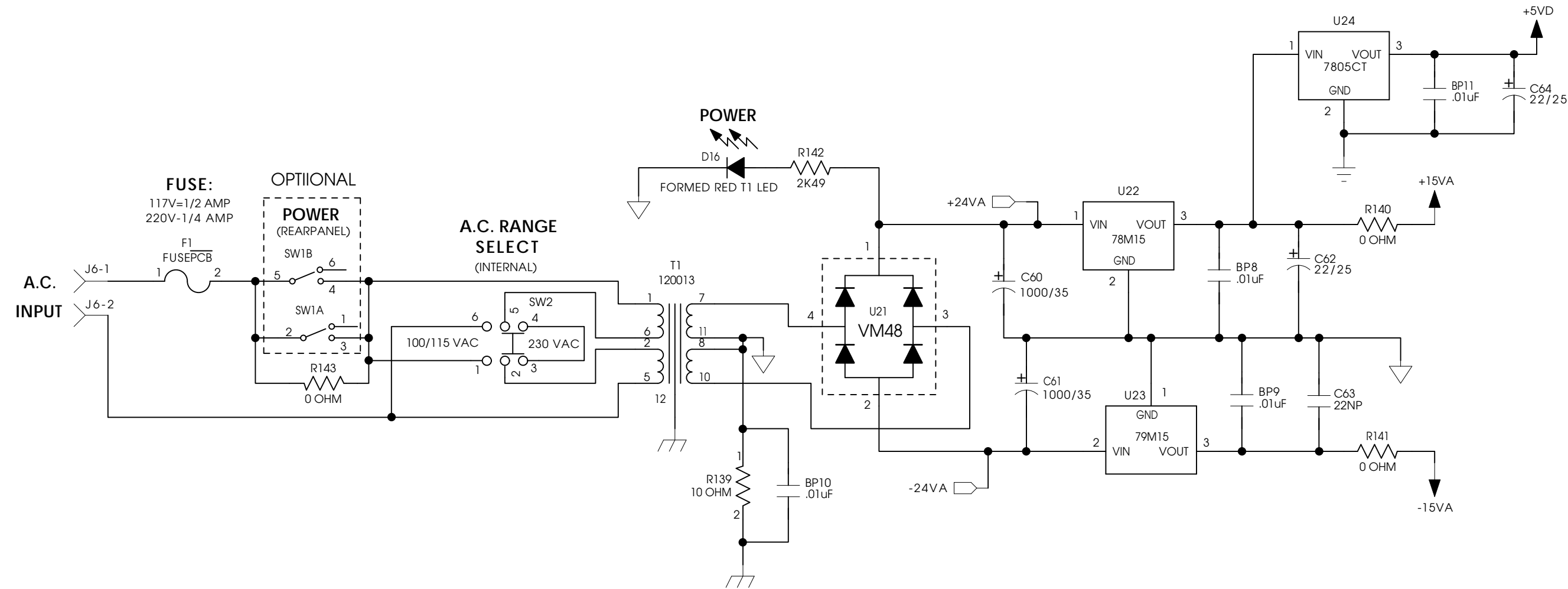
A

D

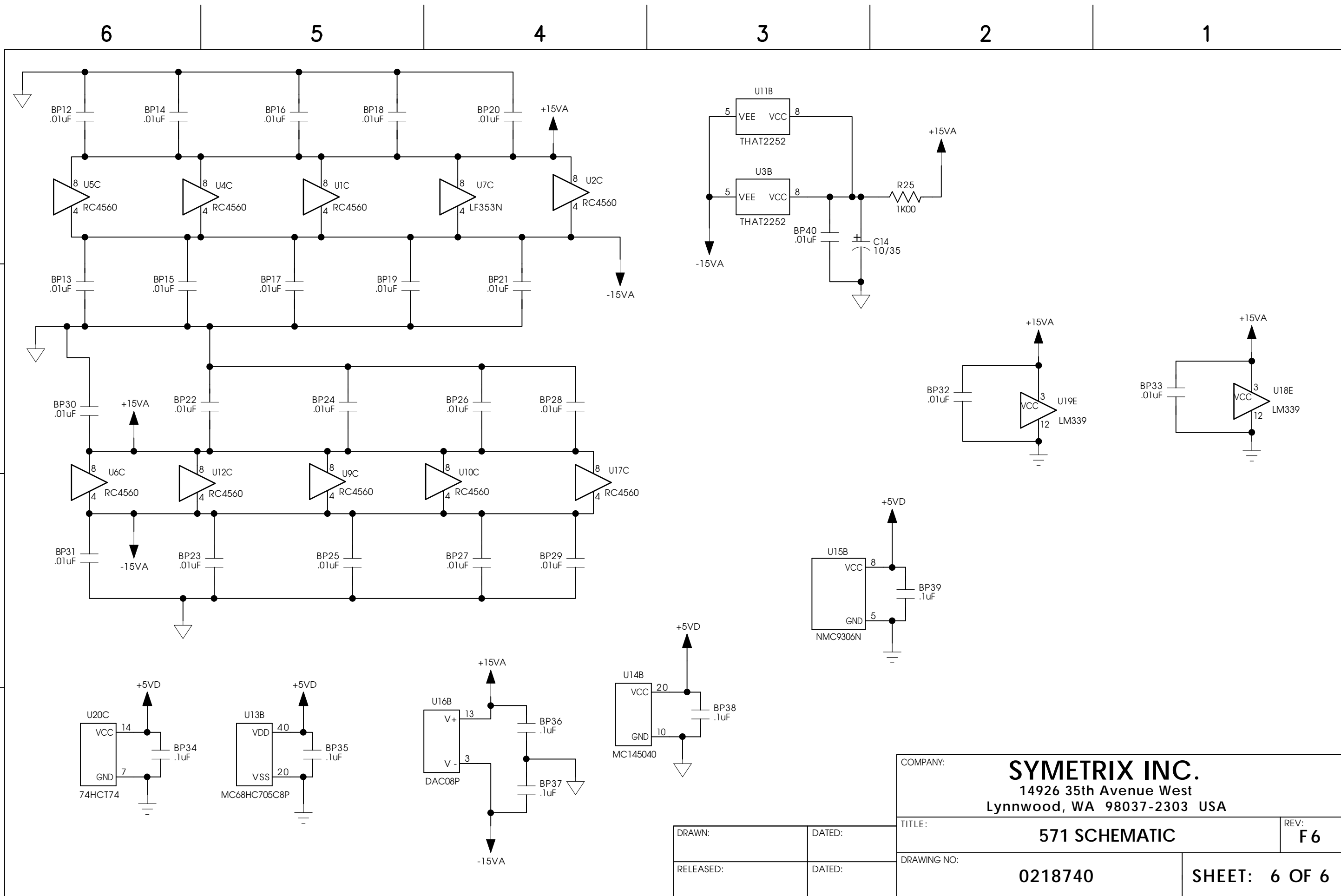
C

B

A



COMPANY:		SYMETRIX INC.	
		14926 35th Avenue West Lynnwood, WA 98037-2303 USA	
DRAWN:		TITLE: 571 SCHEMATIC	
RELEASED:		DRAWING NO: 021740	
DATED:		REV: F6	
DATED:		SHEET: 5 OF 6	



COMPANY:		SYMETRIX INC.	
		14926 35th Avenue West Lynnwood, WA 98037-2303 USA	
TITLE:		571 SCHEMATIC	REV: F6
DRAWING NO:		0218740	SHEET: 6 OF 6

DRAWN:	DATED:
RELEASED:	DATED: