

REVISION RECORD		
LTR	REVISIONS DONE OR ECO NUMBER:	DATE:
C.0	Converted digital section to SMD Created 4-layer PCB	12/3/95
D.0	Changed L101 to .6 spacing, Z1 to DO41	1/2/95

COMPANY: **SYMETRIX INC.**
 14926 35th Avenue West
 Lynnwood, WA 98037-2303 USA

TITLE: **620 : DSP** REV: **D.0**

DRAWN: **A.R.G.** DATED: **7/5/95**

RELEASED: DATED:

DRAWING NO: **024620** SHEET: **1 OF 5**

6

5

4

3

2

1

D

D

C

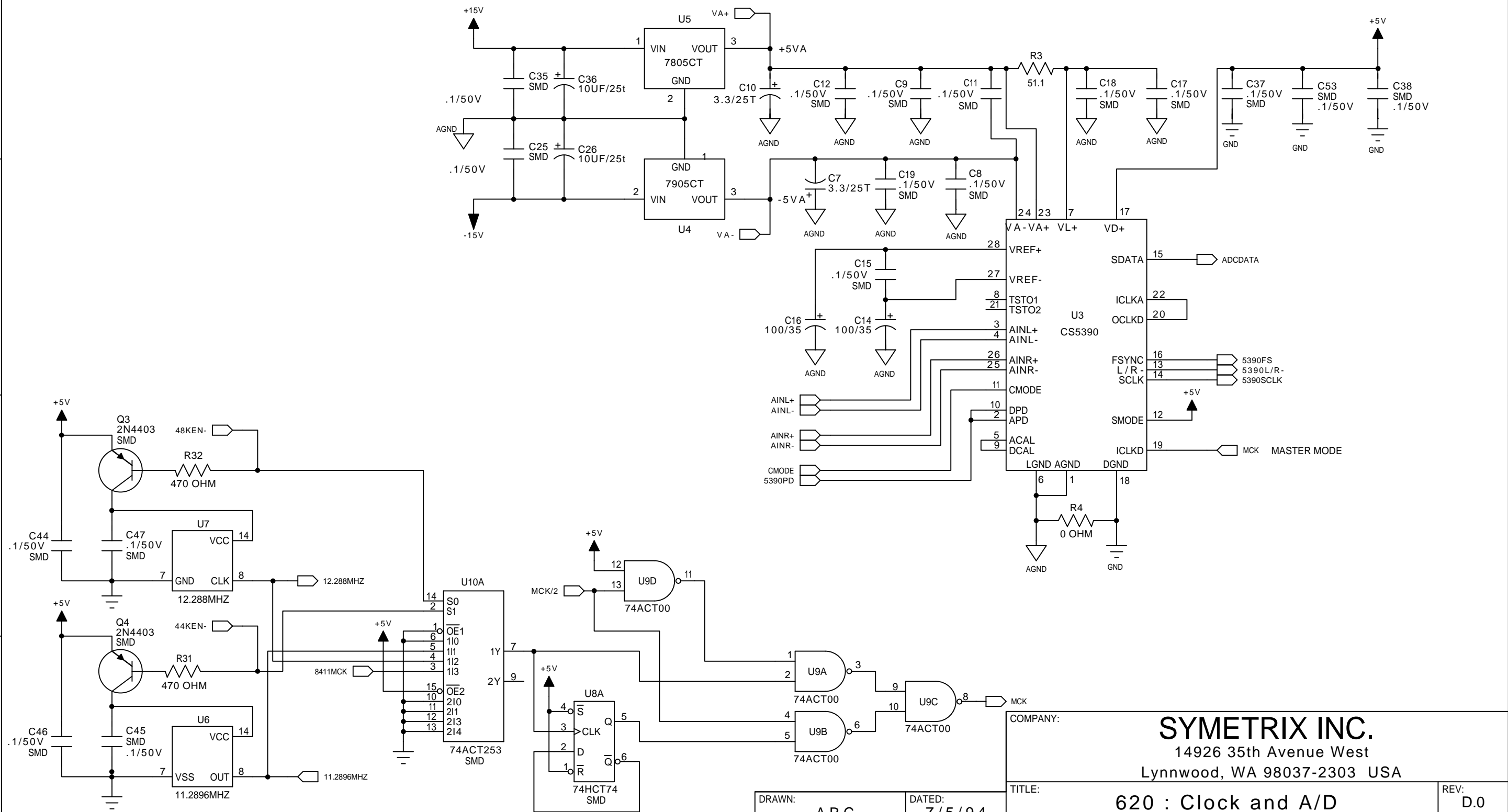
C

B

B

A

A



COMPANY:		SYMETRIX INC.	
		14926 35th Avenue West Lynnwood, WA 98037-2303 USA	
TITLE:		620 : Clock and A/D	REV: D.0
DRAWING NO:		024620	SHEET: 2 OF 5

DRAWN:	DATED:
A.R.G	7/5/94
RELEASED:	DATED:

6

5

4

3

2

1

D

C

B

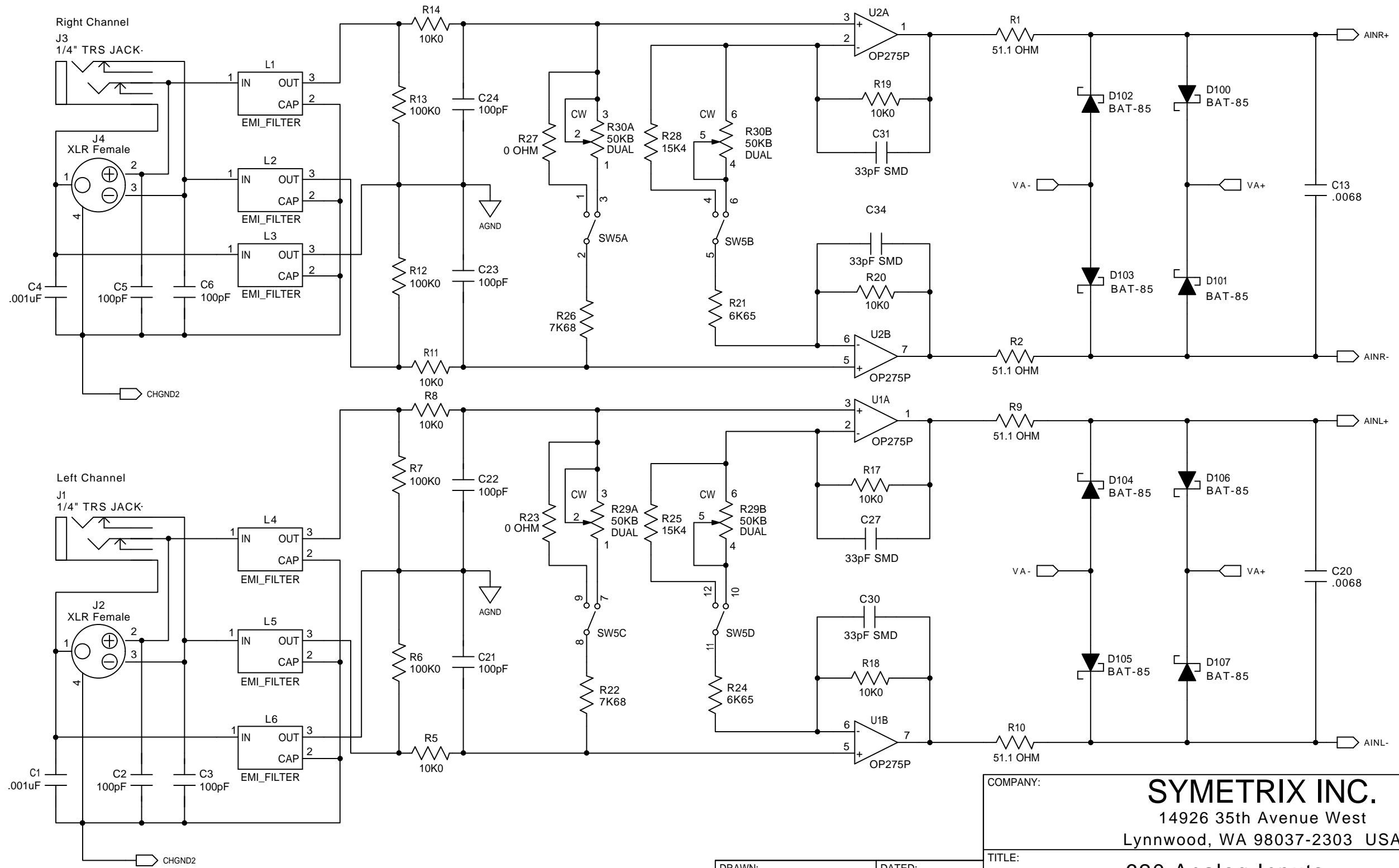
A

D

C

B

A



Note: CHGND2 attaches directly to chassis through a standoff.

COMPANY:		SYMETRIX INC.	
		14926 35th Avenue West Lynnwood, WA 98037-2303 USA	
TITLE:		620 Analog Inputs	REV: D.0
DRAWING NO:		024620	SHEET: 3 OF 5

DRAWN:	DATED:
A.R.G	9/1/94
RELEASED:	DATED:

6

5

4

3

2

1

D

D

C

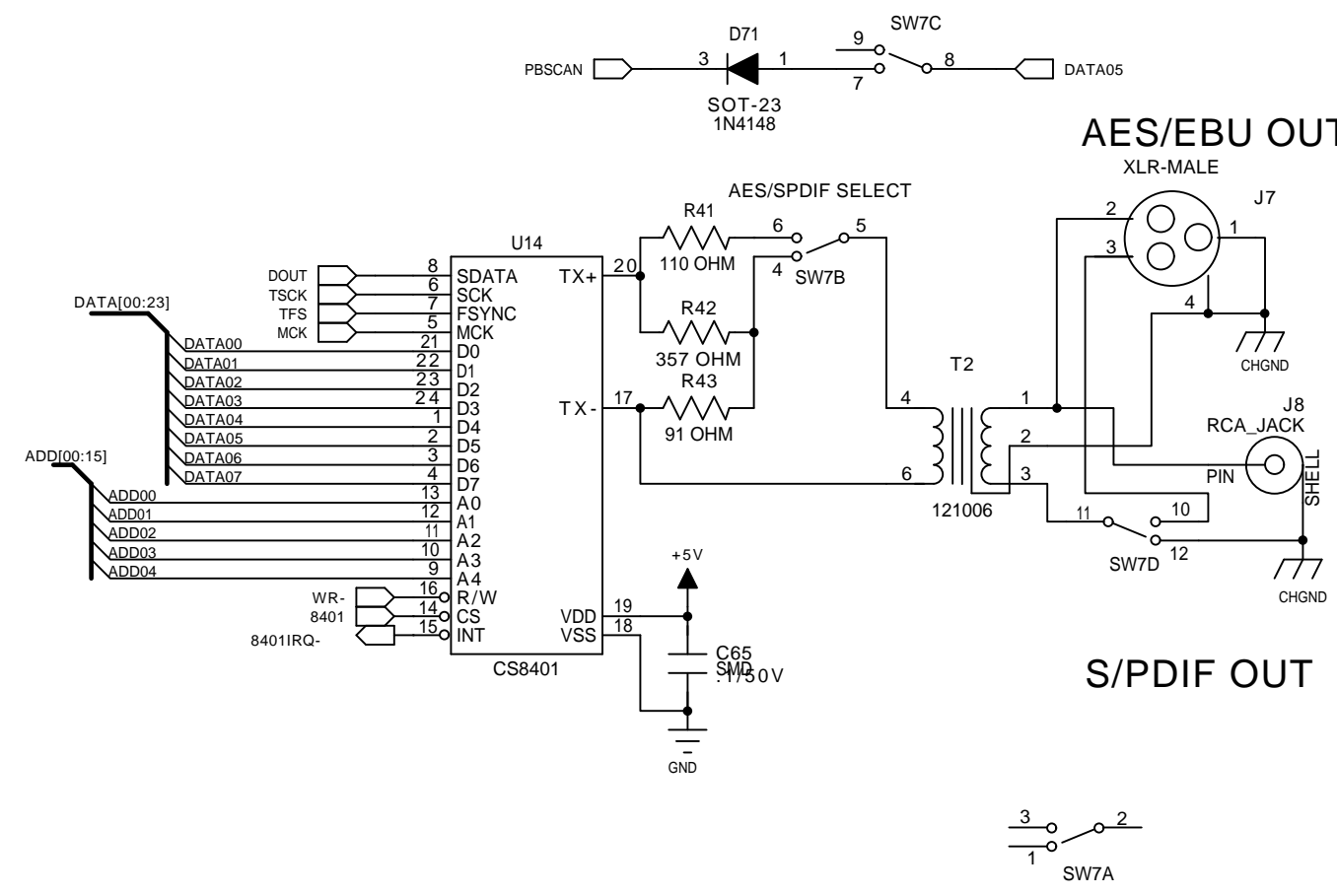
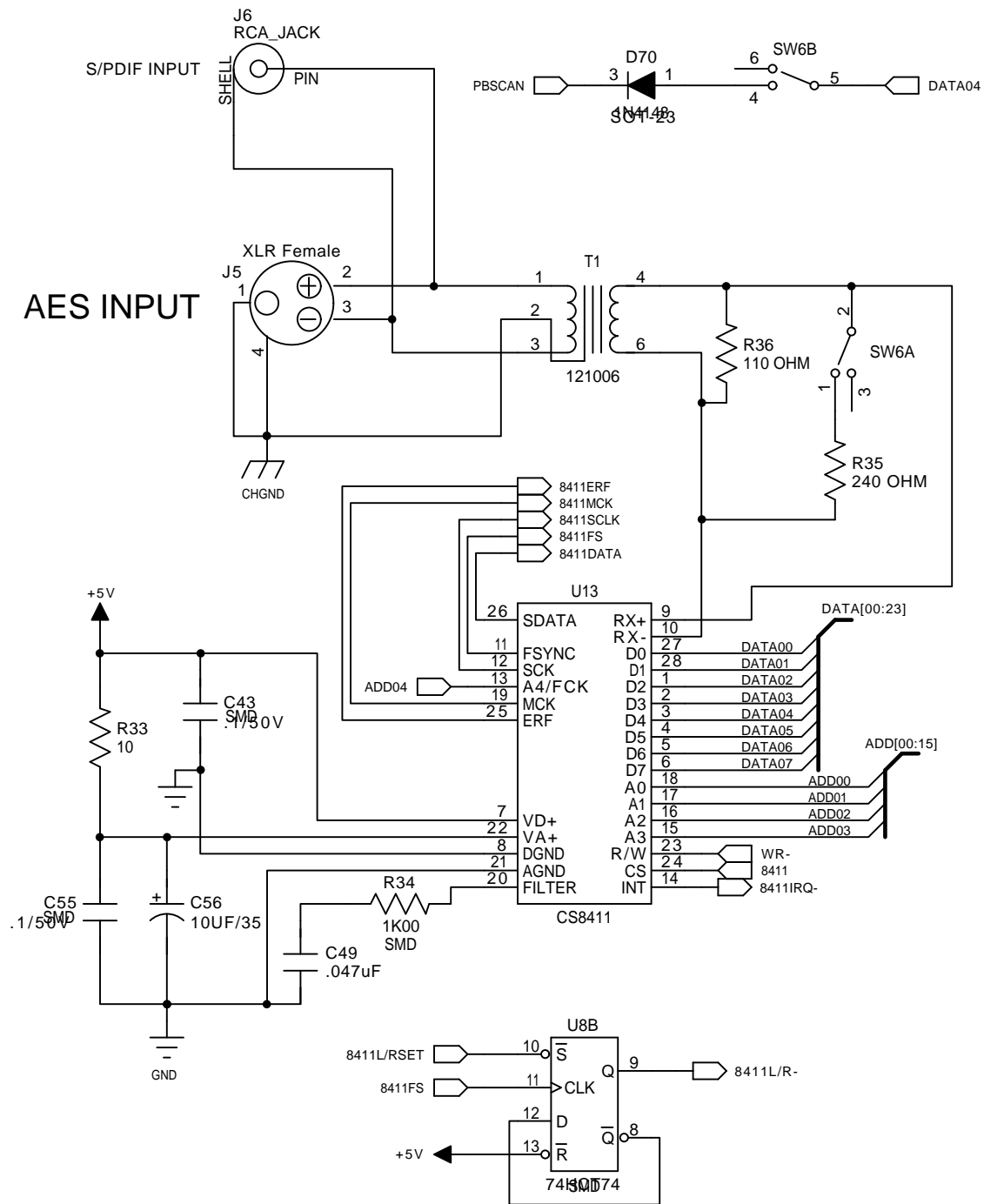
C

B

B

A

A



COMPANY: **SYMETRIX INC.**
 14926 35th Avenue West
 Lynnwood, WA 98037-2303 USA

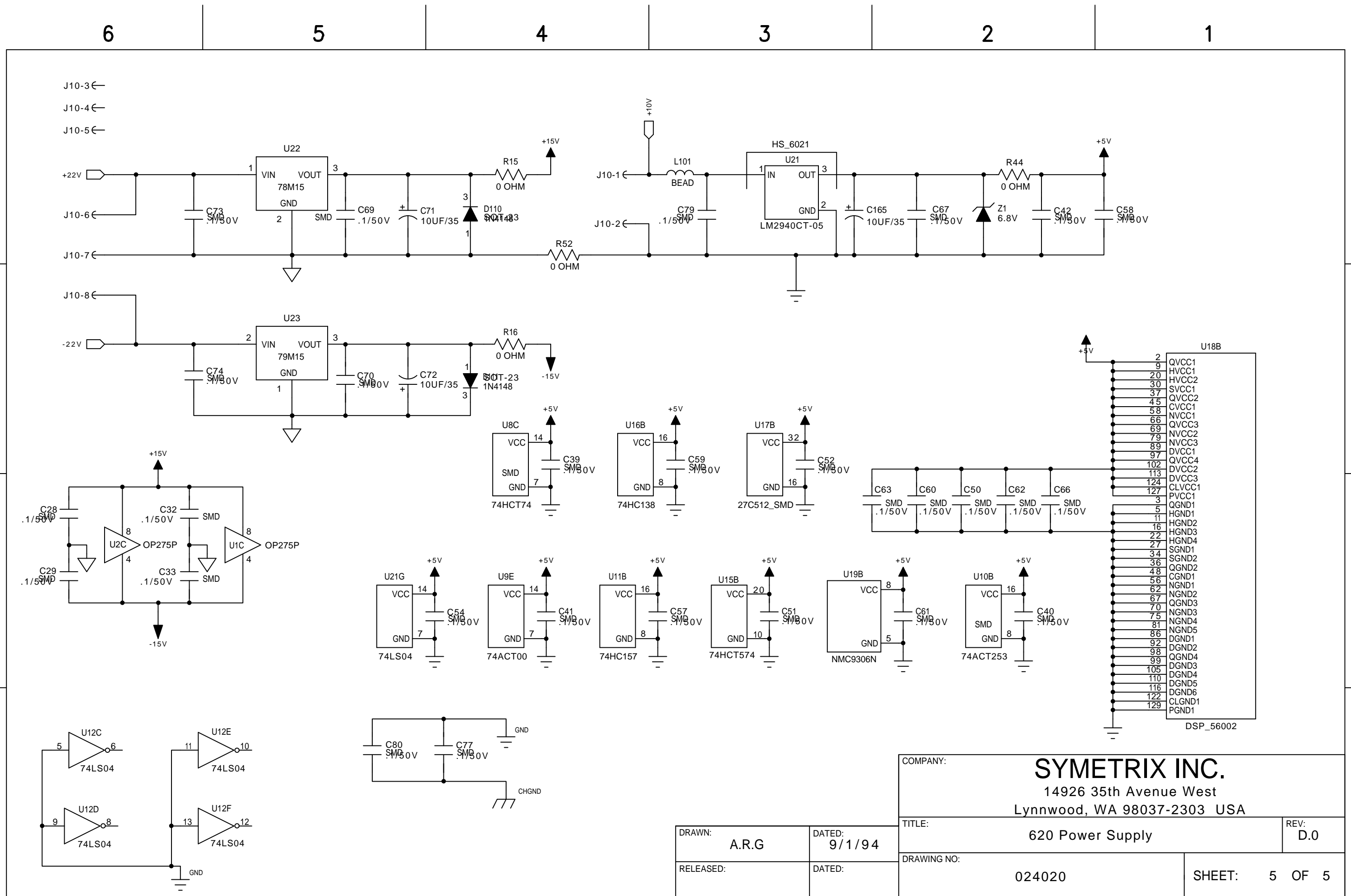
TITLE: **620 : Digital Inputs and Outputs**

REV: **D.0**

DRAWING NO: **024620**

SHEET: **4 OF 5**

DRAWN: A.R.G.	DATED: 7/12/94
RELEASED:	DATED:



COMPANY:		SYMETRIX INC.	
		14926 35th Avenue West	
		Lynnwood, WA 98037-2303 USA	
DRAWN:		620 Power Supply	
A.R.G		REV: D.0	
DATED:		620 Power Supply	
9/1/94		DRAWING NO:	
RELEASED:		024020	
DATED:		SHEET: 5 OF 5	