

6

5

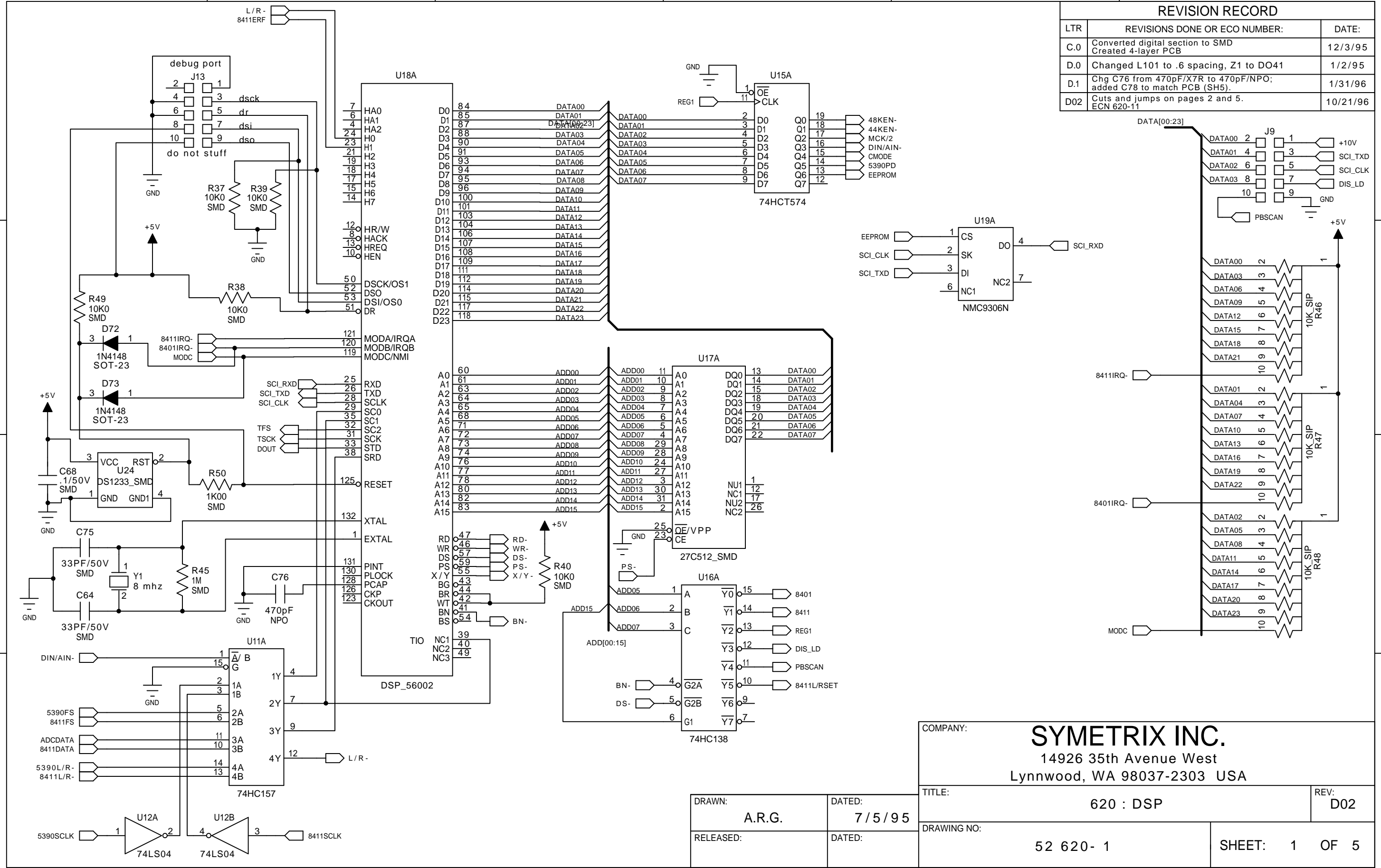
4

3

2

1

REVISION RECORD		
LTR	REVISIONS DONE OR ECO NUMBER:	DATE:
C.0	Converted digital section to SMD Created 4-layer PCB	12/3/95
D.0	Changed L101 to .6 spacing, Z1 to DO41	1/2/95
D.1	Chg C76 from 470pF/X7R to 470pF/NPO; added C78 to match PCB (SH5).	1/31/96
D02	Cuts and jumps on pages 2 and 5. ECN 620-11	10/21/96



COMPANY: **SYMETRIX INC.**
 14926 35th Avenue West
 Lynnwood, WA 98037-2303 USA

TITLE: **620 : DSP** REV: **D02**

DRAWN: **A.R.G.** DATED: **7/5/95**

RELEASED: DATED:

DRAWING NO: **52 620- 1** SHEET: **1 OF 5**

6

5

4

3

2

1

D

D

C

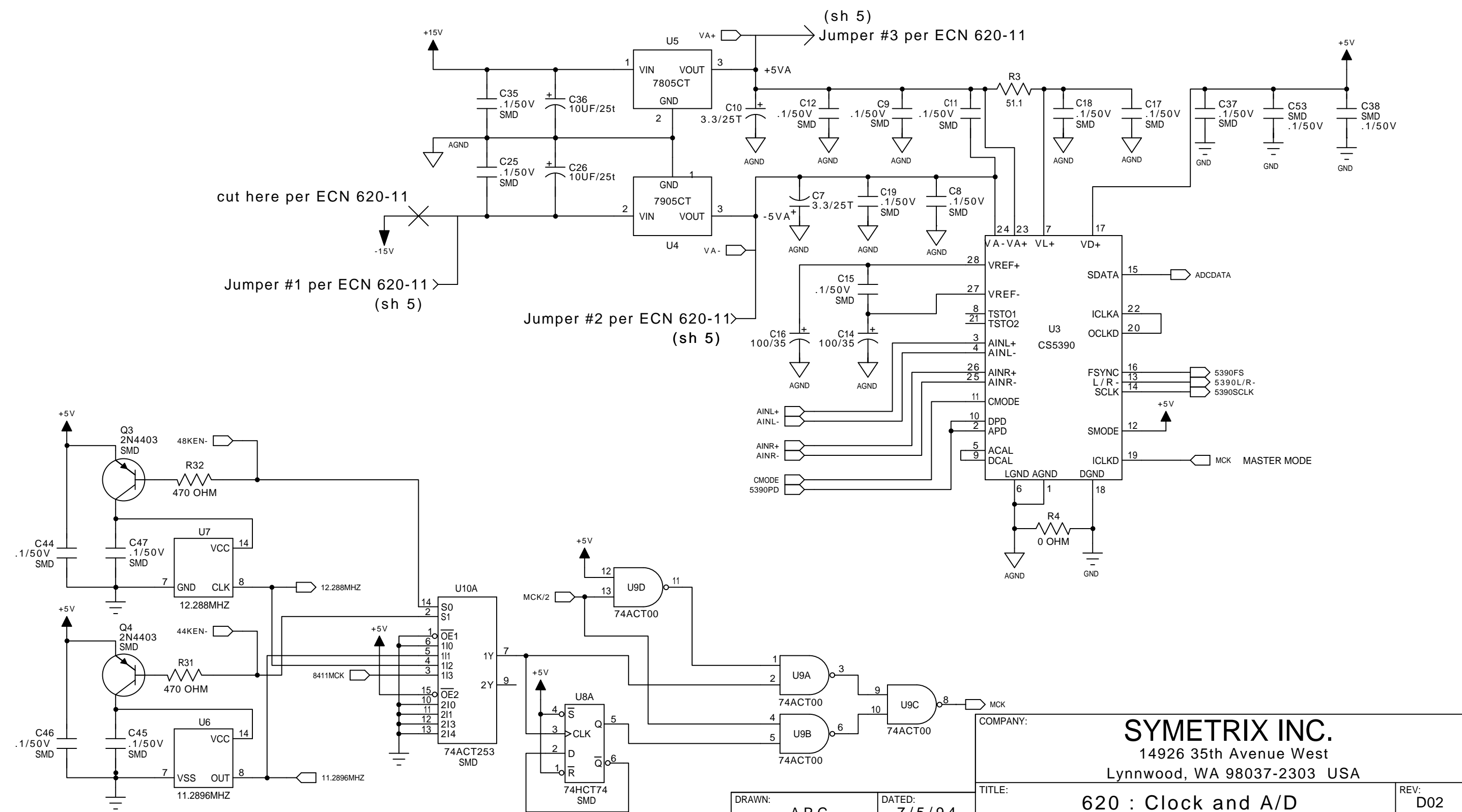
C

B

B

A

A



COMPANY:		SYMETRIX INC.	
		14926 35th Avenue West Lynnwood, WA 98037-2303 USA	
TITLE:		620 : Clock and A/D	REV: D02
DRAWING NO:		52 620- 1	SHEET: 2 OF 5

DRAWN:	A.R.G	DATED:	7/5/94
RELEASED:		DATED:	

6

5

4

3

2

1

D

D

C

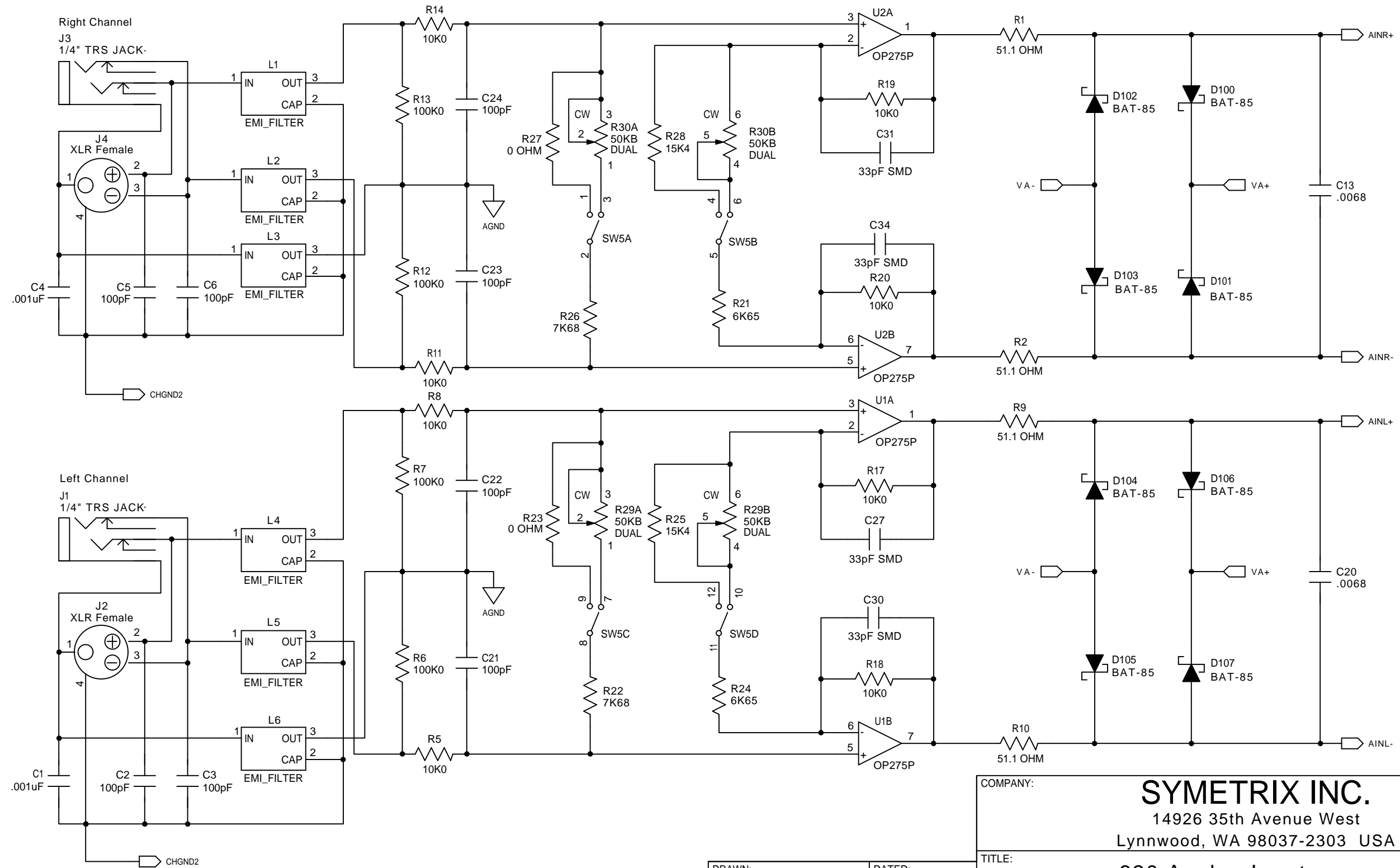
C

B

B

A

A



COMPANY:		SYMETRIX INC.	
		14926 35th Avenue West Lynnwood, WA 98037-2303 USA	
TITLE:		620 Analog Inputs	REV: D02
DRAWING NO:		52 620- 1	SHEET: 3 OF 5

DRAWN: A.R.G	DATED: 9/1/94
RELEASED:	DATED:

6

5

4

3

2

1

D

D

C

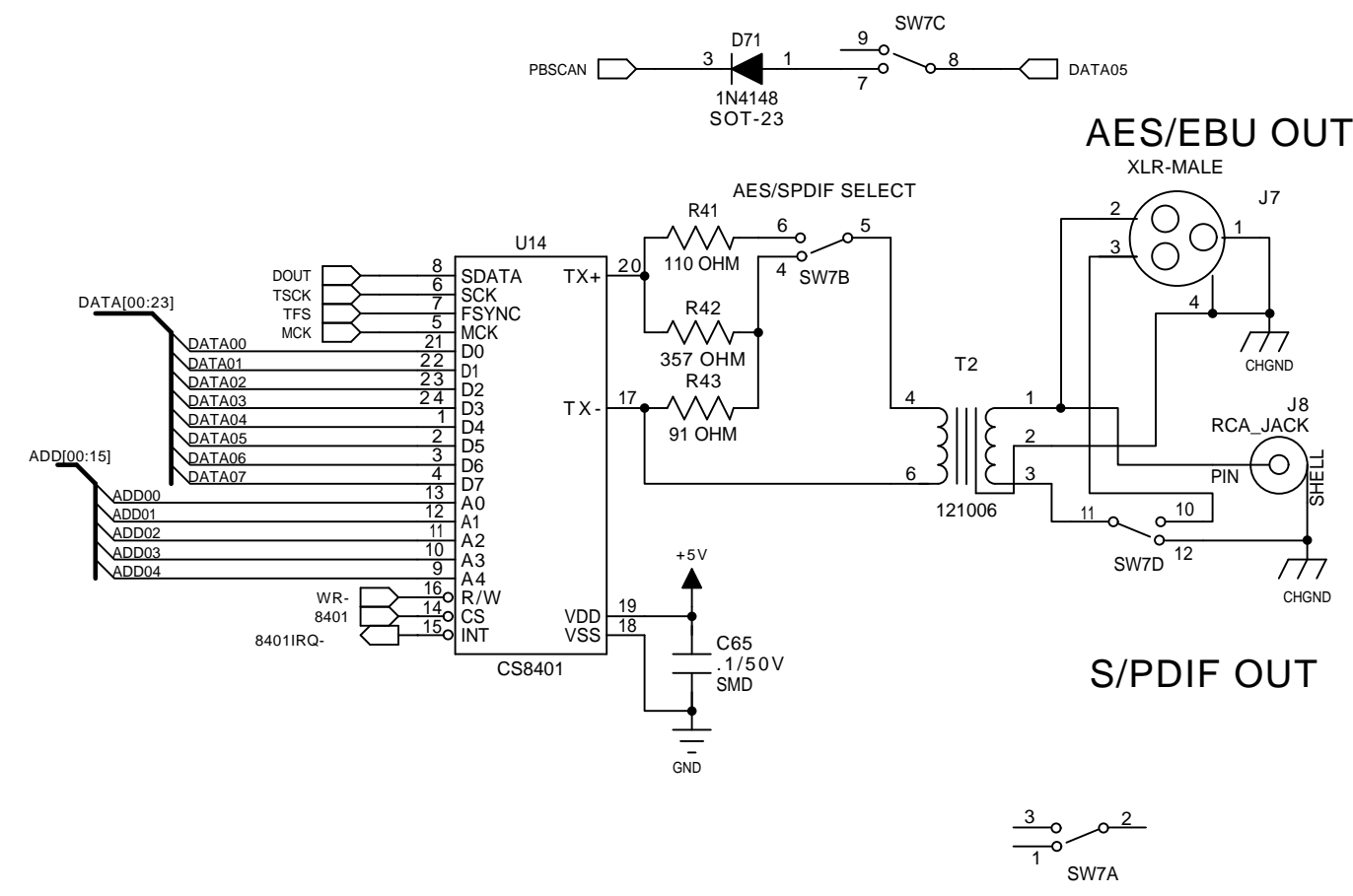
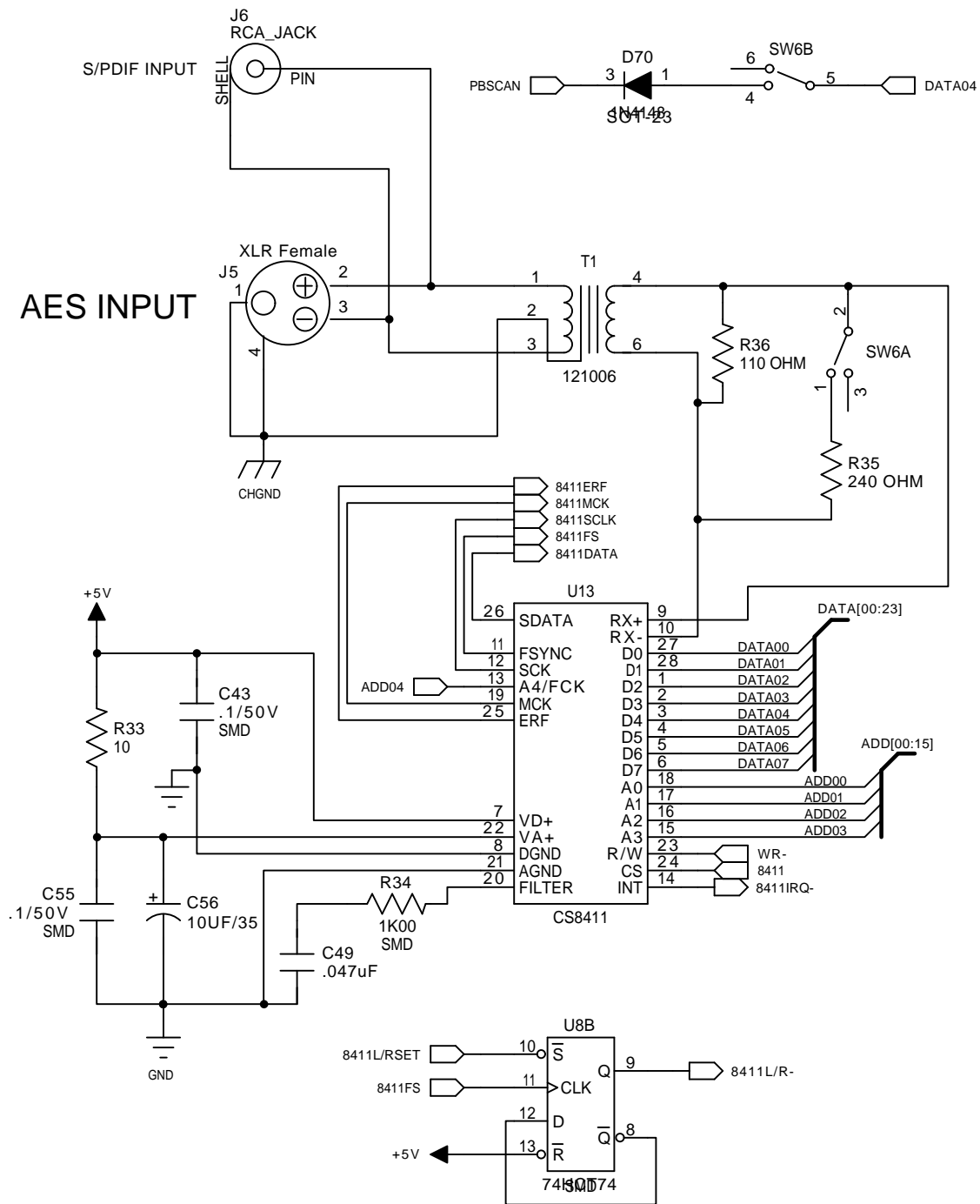
C

B

B

A

A



COMPANY: **SYMETRIX INC.**
 14926 35th Avenue West
 Lynnwood, WA 98037-2303 USA

TITLE: **620 : Digital Inputs and Outputs**

REV: **D02**

DRAWING NO: **52 620- 1**

SHEET: **4 OF 5**

DRAWN: A.R.G.	DATED: 7/12/94
RELEASED:	DATED:

6

5

4

3

2

1

D

D

C

C

B

B

A

A

J10-3

J10-4

J10-5

+22V

J10-6

J10-7

J10-8

-22V

+15V

-15V

+15V

+10V

+5V

+5V

+5V

+5V

+5V

+5V

+5V

+5V

+5V

+5V

GND

CHGND

AGND

DSP_56002

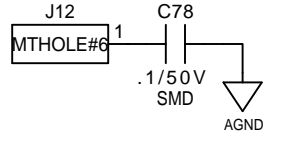
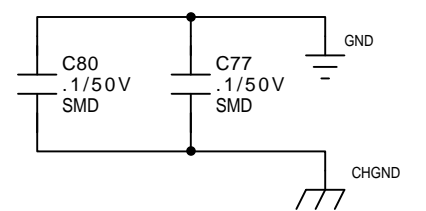
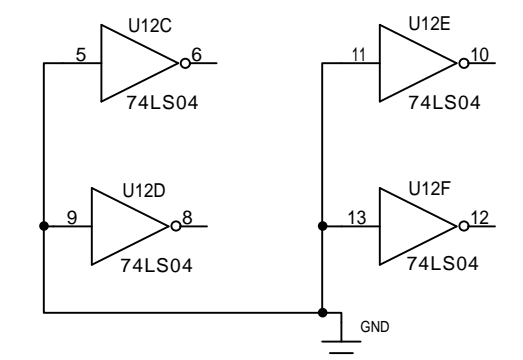
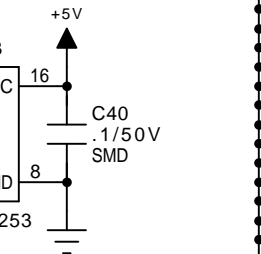
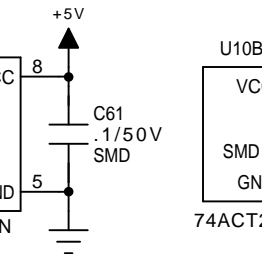
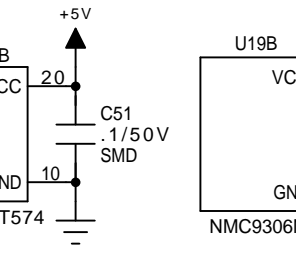
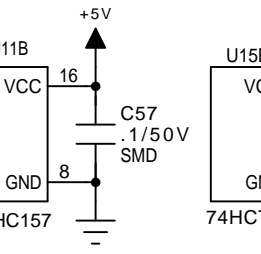
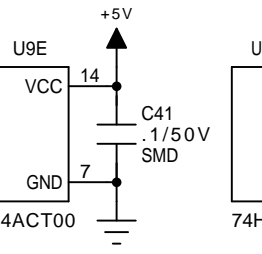
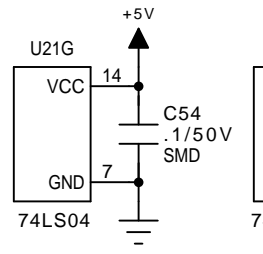
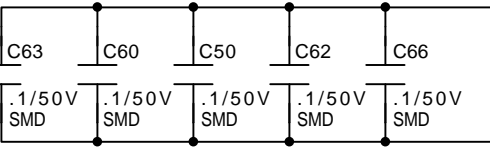
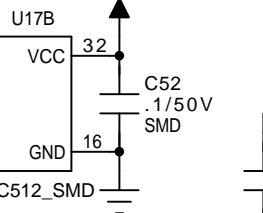
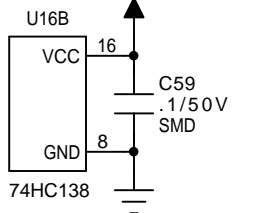
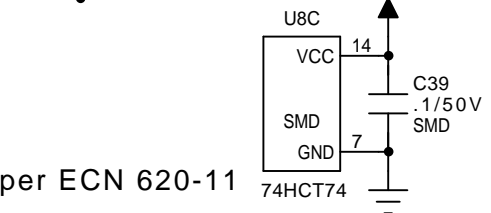
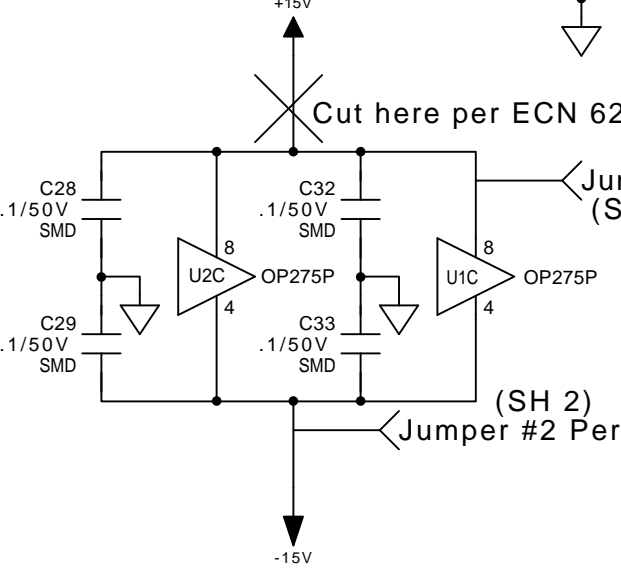
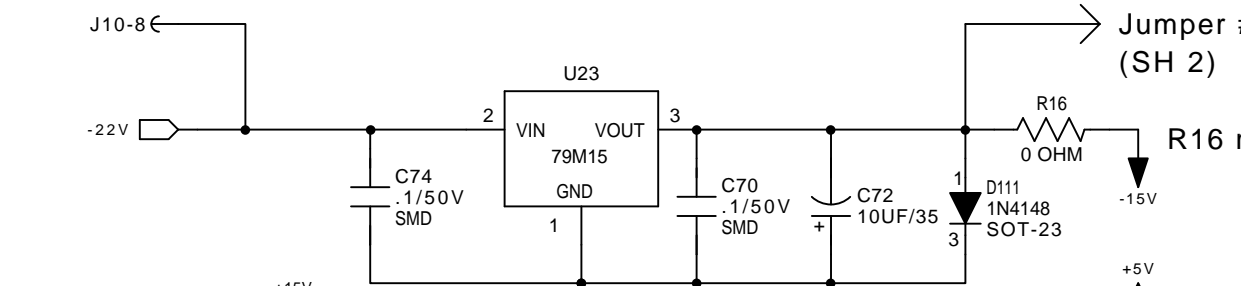
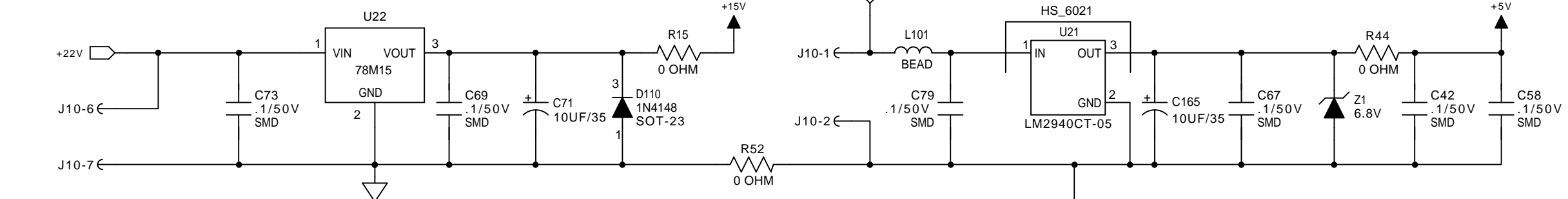
Jumper #1 per ECN 620-11 (SH 2)

R16 removed per ECN 620-11

Cut here per ECN 620-11

Jumper #3 per ECN 620-11 (SH 2)

Jumper #2 Per 620-11



COMPANY:		SYMETRIX INC.	
		14926 35th Avenue West Lynnwood, WA 98037-2303 USA	
TITLE:		620 Power Supply	REV: D02
DRAWING NO:		52 620- 1	SHEET: 5 OF 5
DRAWN:	DATED:		
A.R.G	9/1/94		
RELEASED:	DATED:		