

6

5

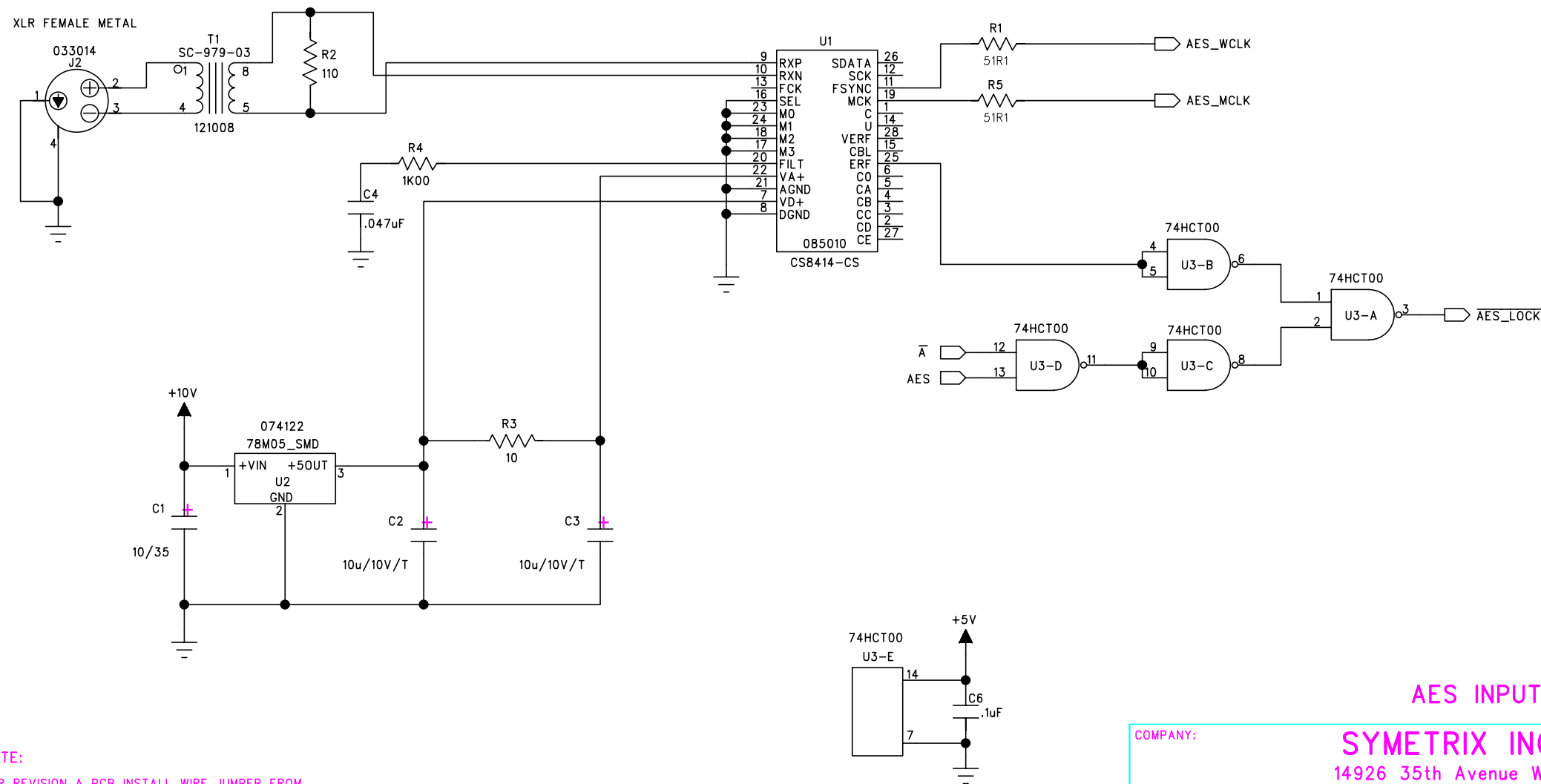
4

3

2

1

REVISION RECORD		
REV	REVISIONS DONE OR ECO NUMBER:	DATE:
A.00	PRODUCTION RELEASE	2-26-2001
A.00	SEE ECN _____	3-20-2001



NOTE:
FOR REVISION A PCB INSTALL WIRE JUMPER FROM
U17 PIN 2 TO U9 PIN 8

AES INPUT
COMPANY: **SYMETRIX INC.**
14926 35th Avenue West
Lynnwood, WA 98037-2303 USA

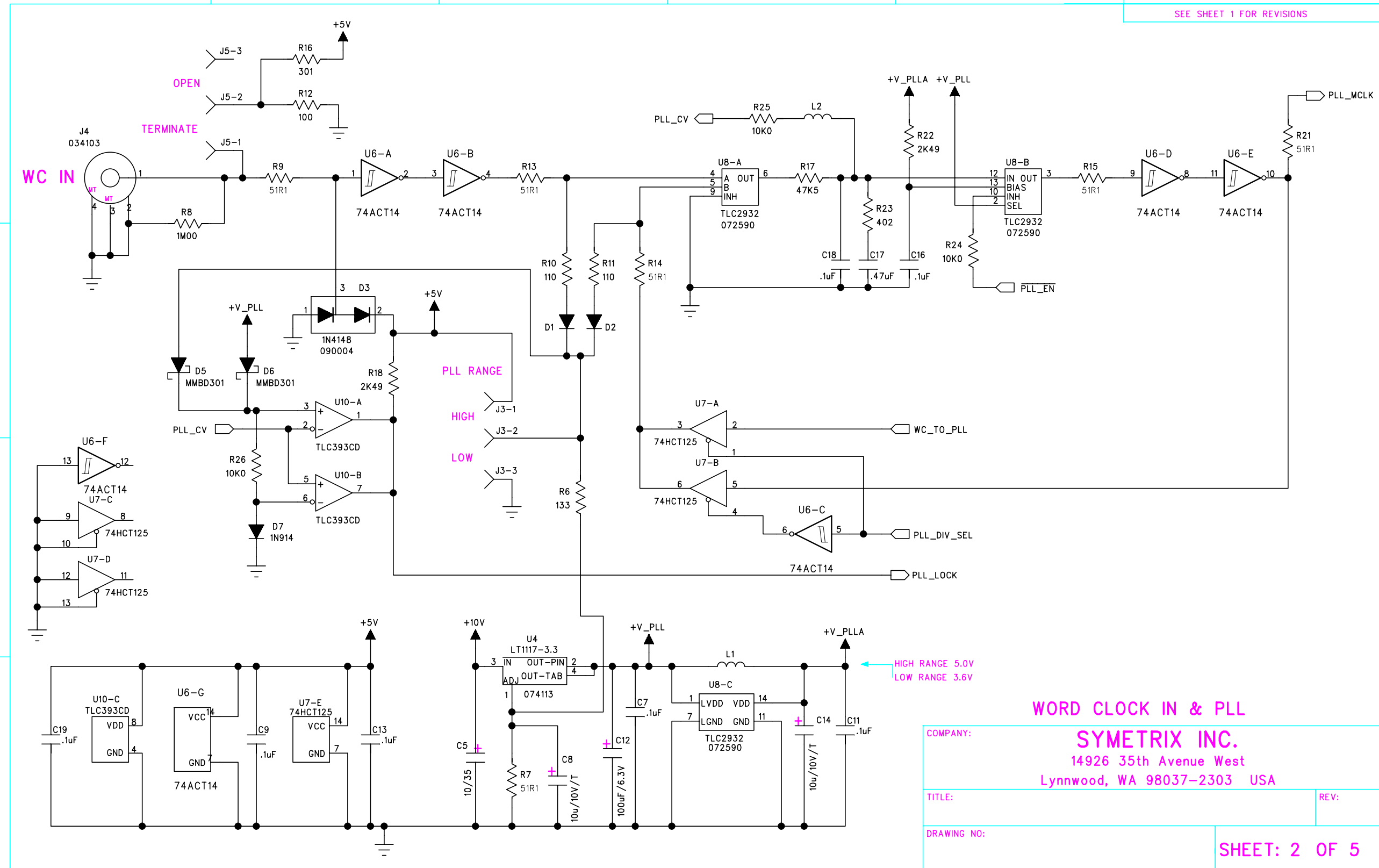
DRAWN: **ba**
DATED: **12-1-2000**

RELEASED:
DATED:

TITLE: **GENX6** REV: **A.01**

DRAWING NO:
SHEET: 1 OF 5

SEE SHEET 1 FOR REVISIONS



WORD CLOCK IN & PLL

COMPANY:	
SYMETRIX INC.	
14926 35th Avenue West Lynnwood, WA 98037-2303 USA	
TITLE:	REV:
DRAWING NO:	SHEET: 2 OF 5

6

5

4

3

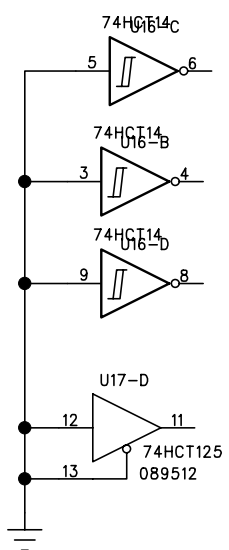
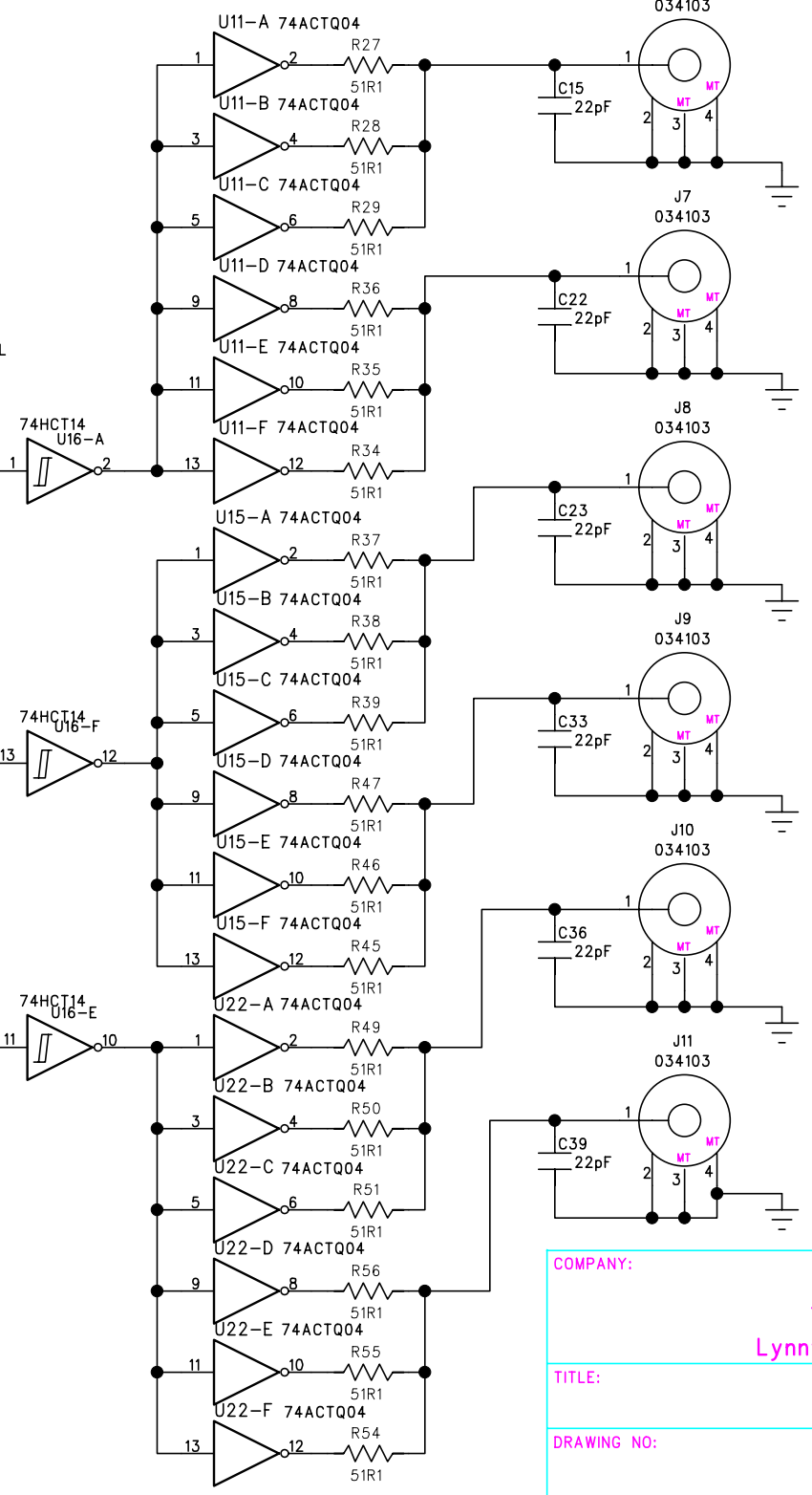
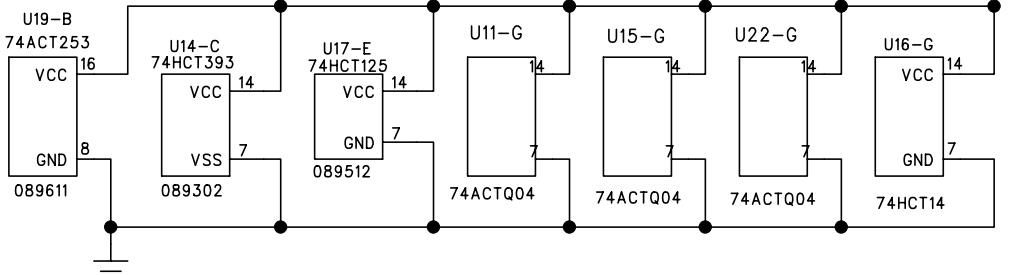
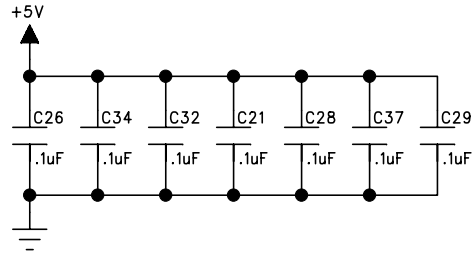
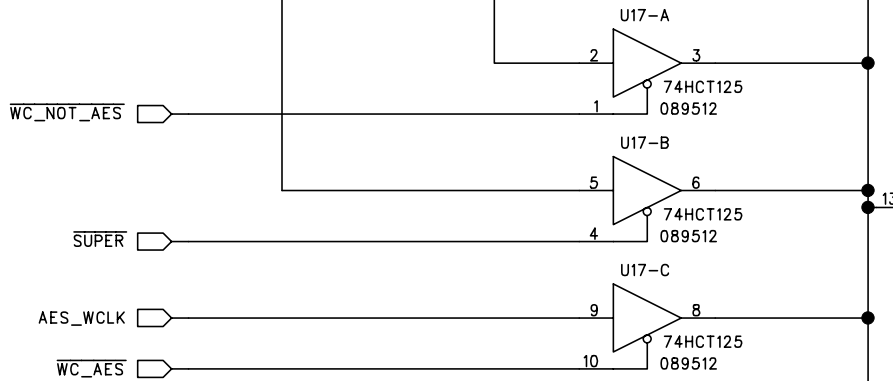
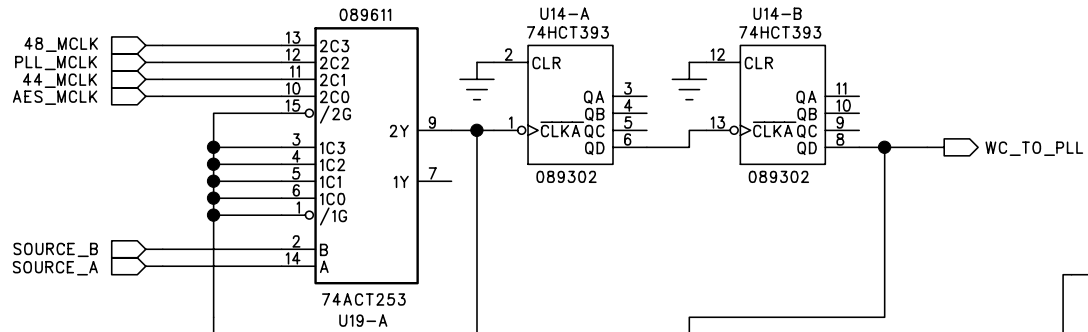
2

1

SEE SHEET 1 FOR REVISIONS

74253 LOGIC

SRC B	SRC A	INPUT
0	0	0
0	1	1
1	0	2
1	1	3



OUTPUTS

COMPANY: **SYMETRIX INC.**
 14926 35th Avenue West
 Lynnwood, WA 98037-2303 USA

TITLE: _____ REV: _____

DRAWING NO: _____ SHEET: 3 OF 5

D

C

B

A

D

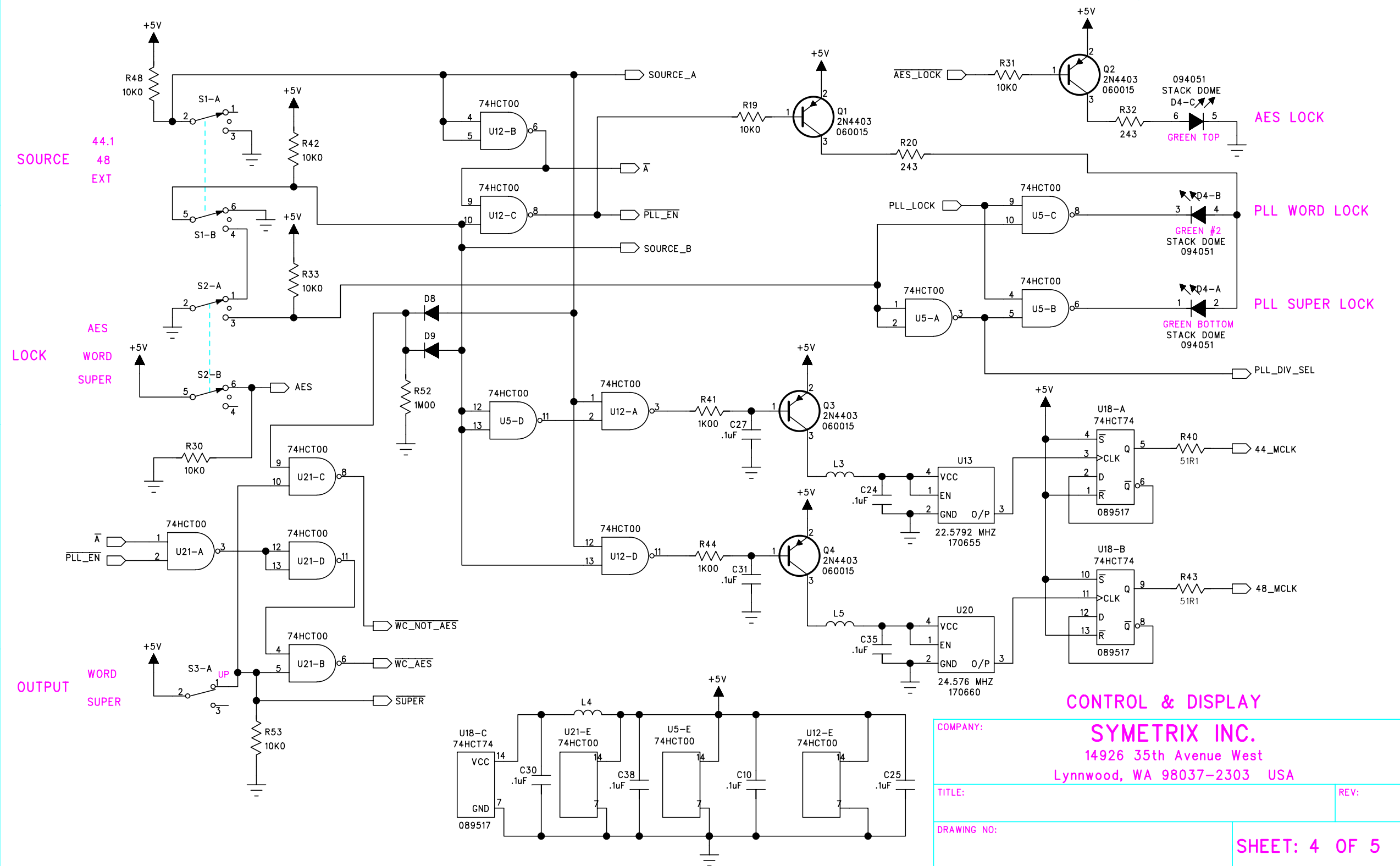
C

B

A

SEE SHEET 1 FOR REVISIONS

D
C
B
A



SOURCE
44.1
48
EXT

LOCK
AES
WORD
SUPER

OUTPUT
WORD
SUPER

AES LOCK

PLL WORD LOCK

PLL SUPER LOCK

CONTROL & DISPLAY

COMPANY: **SYMETRIX INC.**
14926 35th Avenue West
Lynnwood, WA 98037-2303 USA

TITLE: _____ REV: _____

DRAWING NO: _____ SHEET: 4 OF 5

6

5

4

3

2

1

SEE SHEET 1 FOR REVISIONS

D

D

C

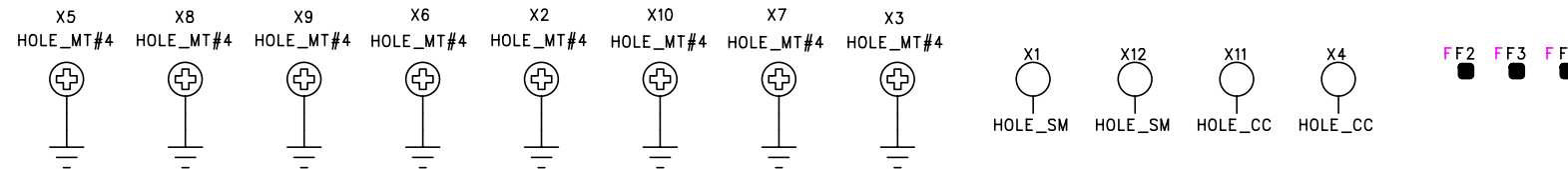
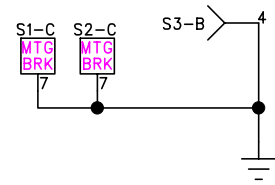
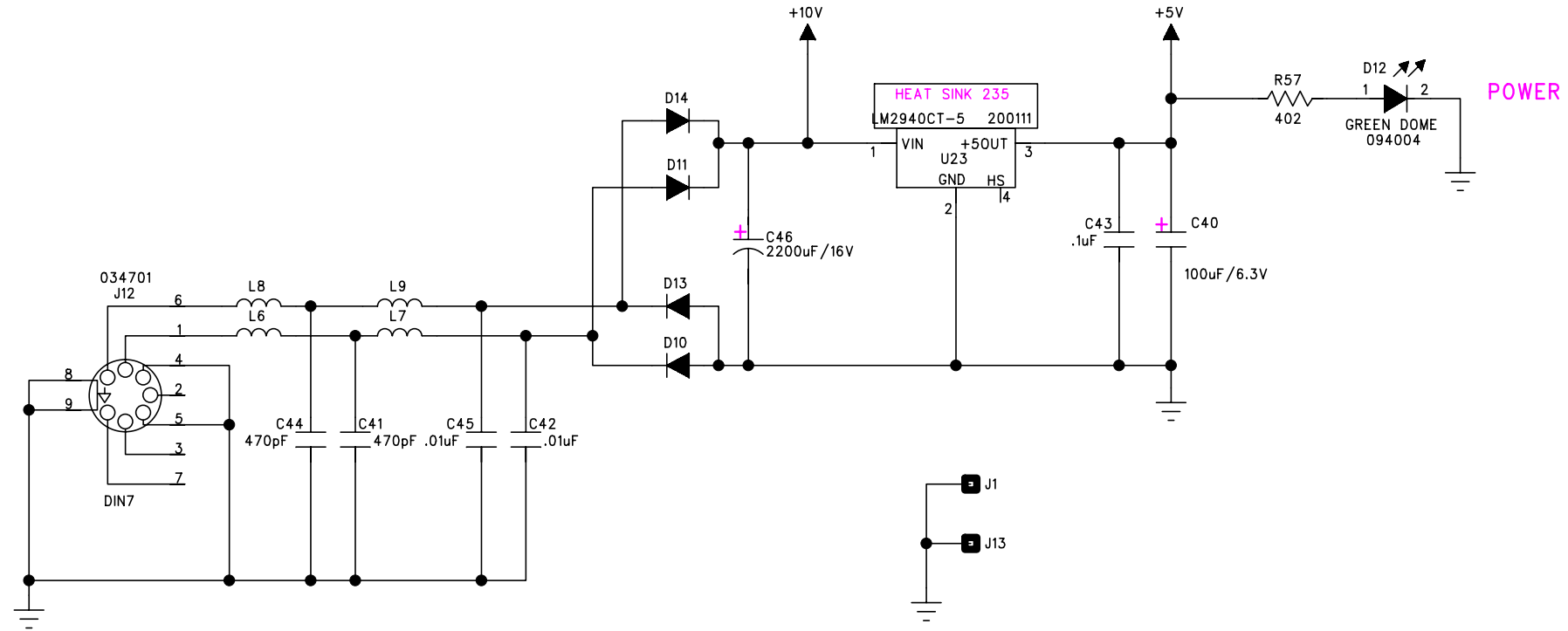
C

B

B

A

A



POWER & MISC.

COMPANY: **SYMETRIX INC.**
 14926 35th Avenue West
 Lynnwood, WA 98037-2303 USA

TITLE: _____ REV: _____

DRAWING NO: _____ SHEET: 5 OF 5