

REVISION RECORD		
REV	REVISIONS DONE OR ECO NUMBER:	DATE:

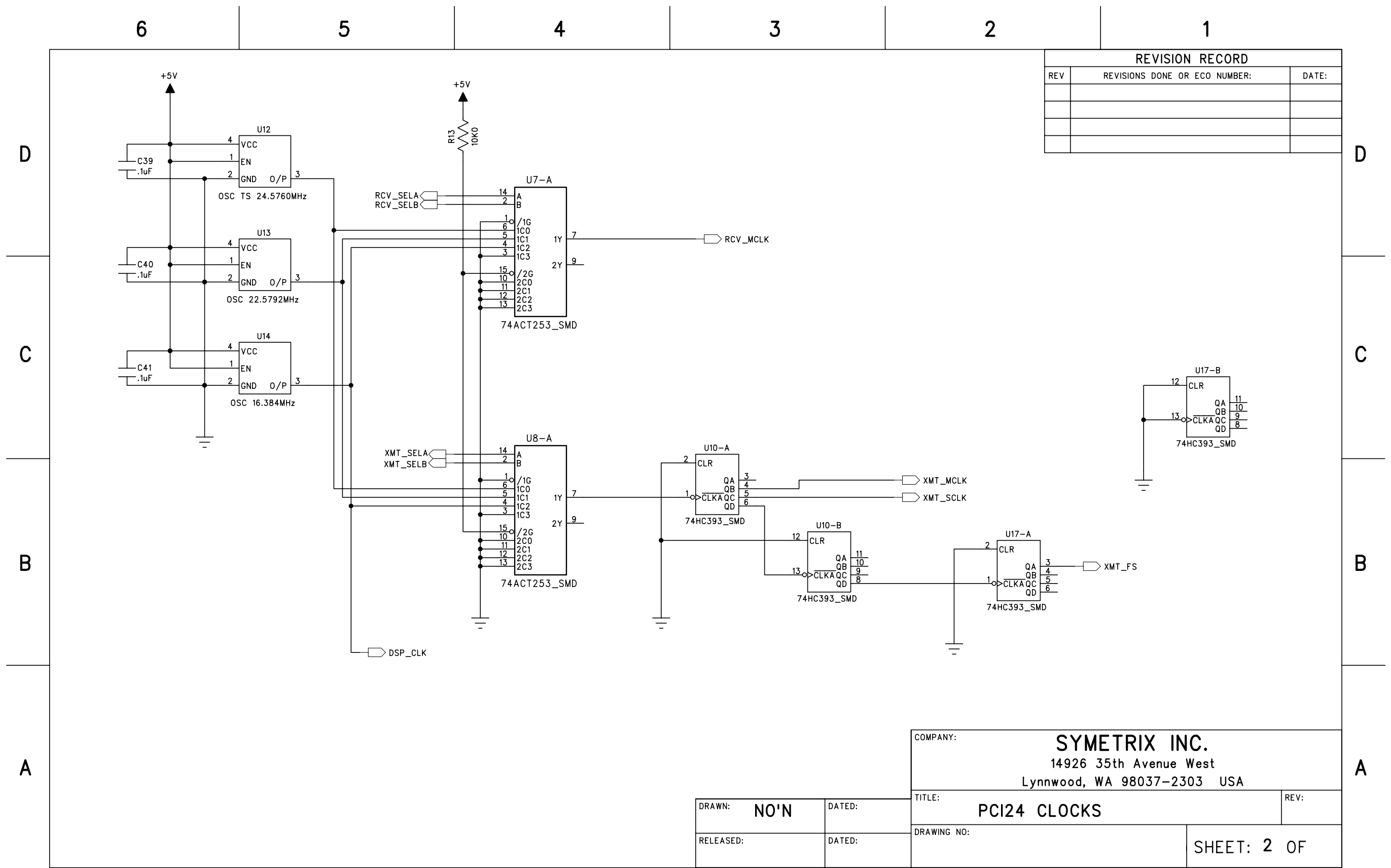
COMPANY: **SYMETRIX INC.**  
 14926 35th Avenue West  
 Lynnwood, WA 98037-2303 USA

TITLE: **PCI24 DSP & RAM**      REV: **C**

DRAWING NO:      SHEET: **1** OF

DRAWN: **NO'N**      DATED: **July 98**

RELEASED:      DATED:



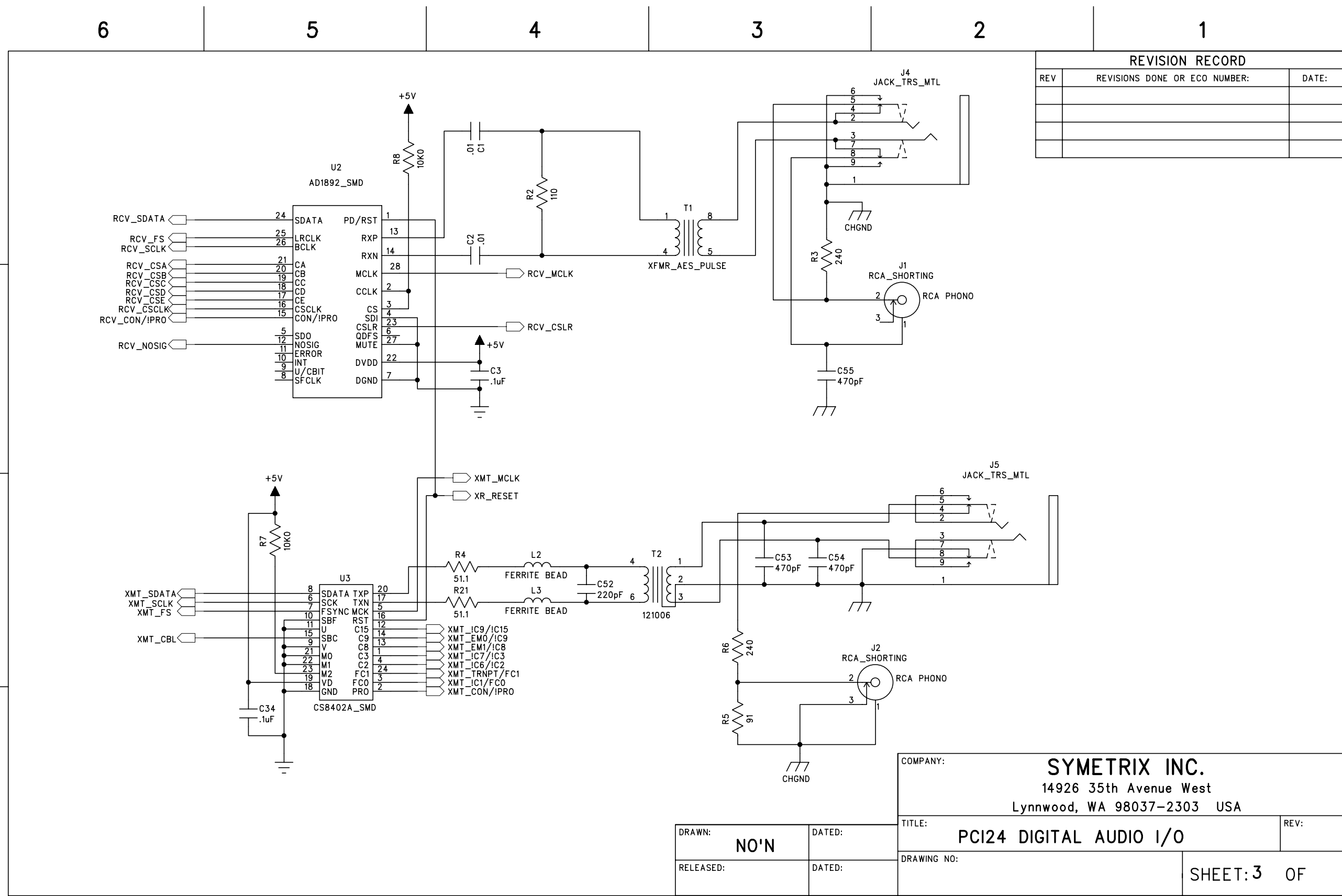
REVISION RECORD		
REV	REVISIONS DONE OR ECO NUMBER:	DATE:

COMPANY: **SYMETRIX INC.**  
 14926 35th Avenue West  
 Lynnwood, WA 98037-2303 USA

TITLE: **PCI24 CLOCKS**

DRAWN: **NO'N**      DATED:      REV:      SHEET: 2 OF

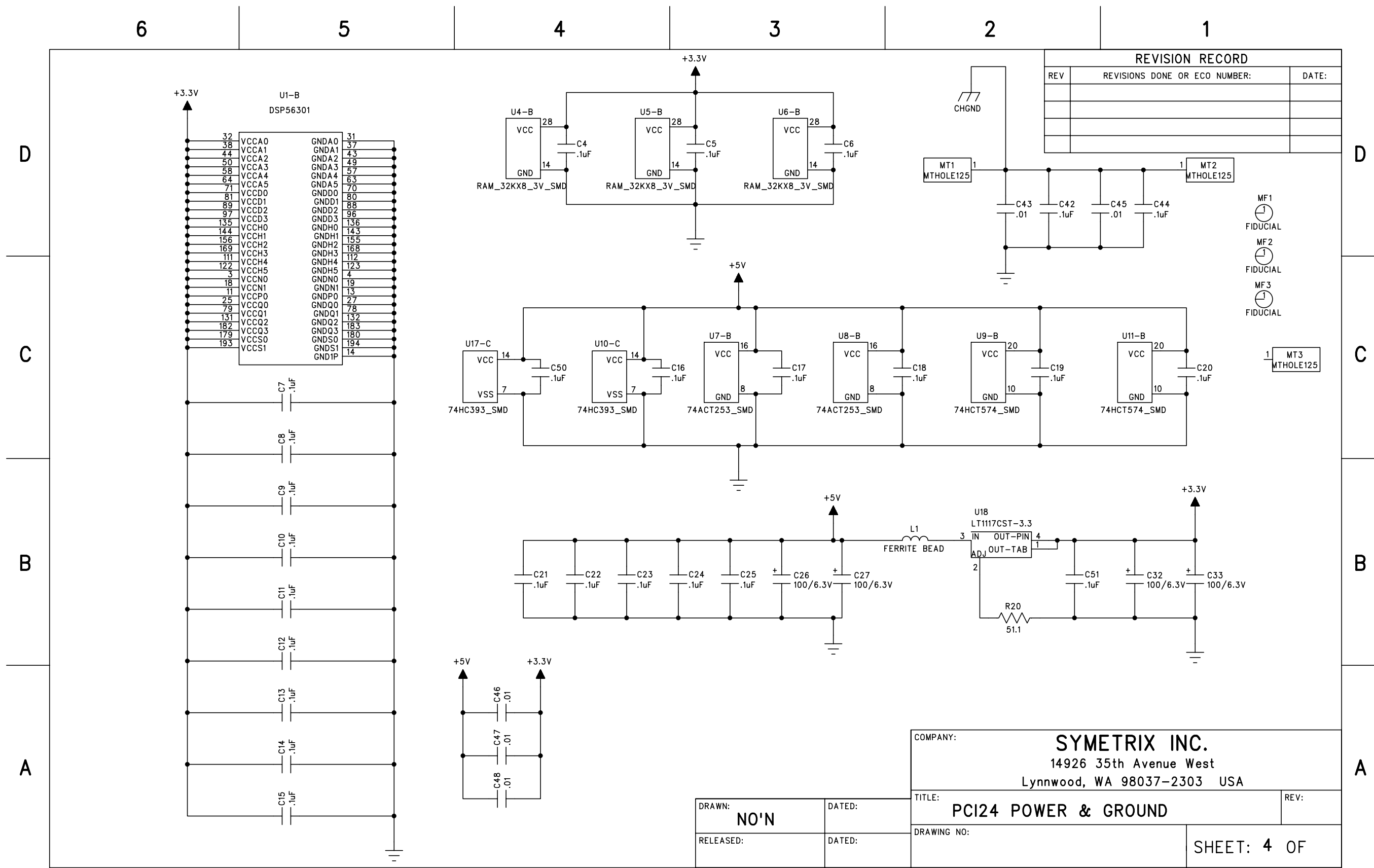
RELEASED:      DATED:      DRAWING NO:      SHEET: 2 OF



REVISION RECORD		
REV	REVISIONS DONE OR ECO NUMBER:	DATE:

COMPANY: **SYMETRIX INC.**  
 14926 35th Avenue West  
 Lynnwood, WA 98037-2303 USA

DRAWN: <b>NO'N</b>	DATED:	TITLE: <b>PCI24 DIGITAL AUDIO I/O</b>	REV:
RELEASED:	DATED:	DRAWING NO:	SHEET: <b>3</b> OF

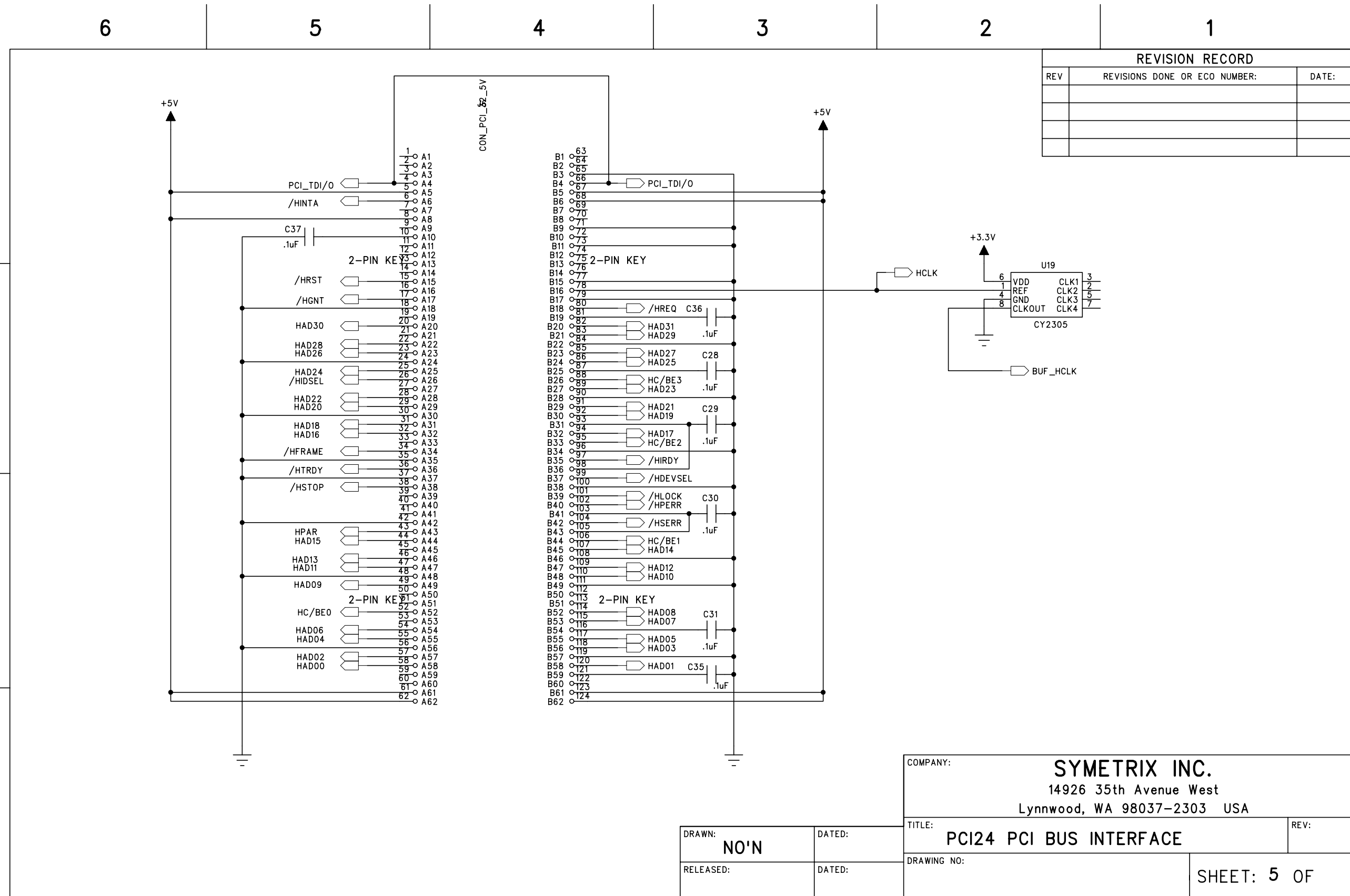


REVISION RECORD		
REV	REVISIONS DONE OR ECO NUMBER:	DATE:

- MF1 FIDUCIAL
- MF2 FIDUCIAL
- MF3 FIDUCIAL

COMPANY: **SYMETRIX INC.**  
 14926 35th Avenue West  
 Lynnwood, WA 98037-2303 USA

DRAWN: <b>NO'N</b>	DATED:	TITLE: <b>PCI24 POWER &amp; GROUND</b>	REV:
RELEASED:	DATED:	DRAWING NO:	SHEET: <b>4 OF</b>



COMPANY: **SYMETRIX INC.**  
 14926 35th Avenue West  
 Lynnwood, WA 98037-2303 USA

DRAWN: **NO'N**  
 DATED:   
 RELEASED:   
 DATED:

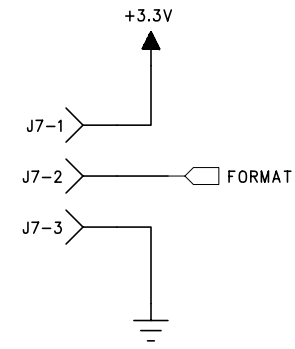
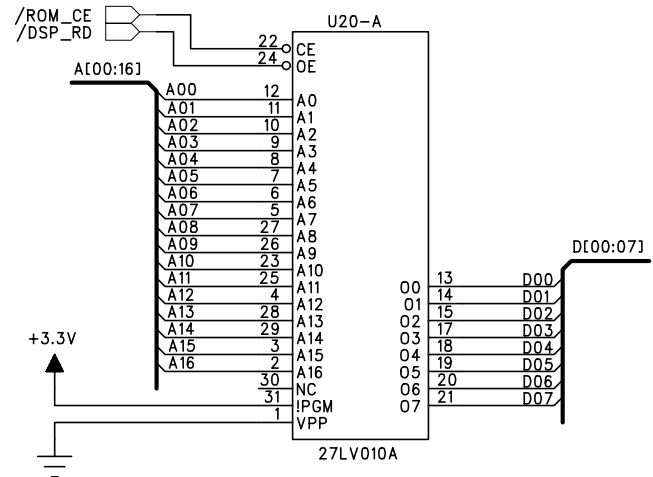
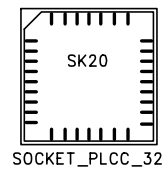
TITLE: **PCI24 PCI BUS INTERFACE**  
 REV:   
 DRAWING NO:   
 SHEET: **5 OF**

6 5 4 3 2 1

REVISION RECORD		
REV	REVISIONS DONE OR ECO NUMBER:	DATE:

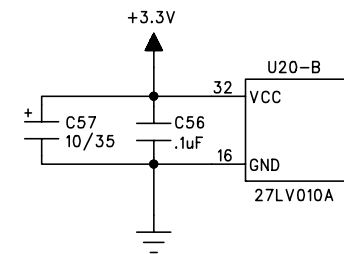
D

D



C

C



B

B

A

A

COMPANY: **SYMETRIX INC.**  
 14926 35th Avenue West  
 Lynnwood, WA 98037-2303 USA

DRAWN: **NO'N** DATED:   
 RELEASED: DATED:

TITLE: **EPROM** REV:

DRAWING NO: SHEET: **6** OF **6**