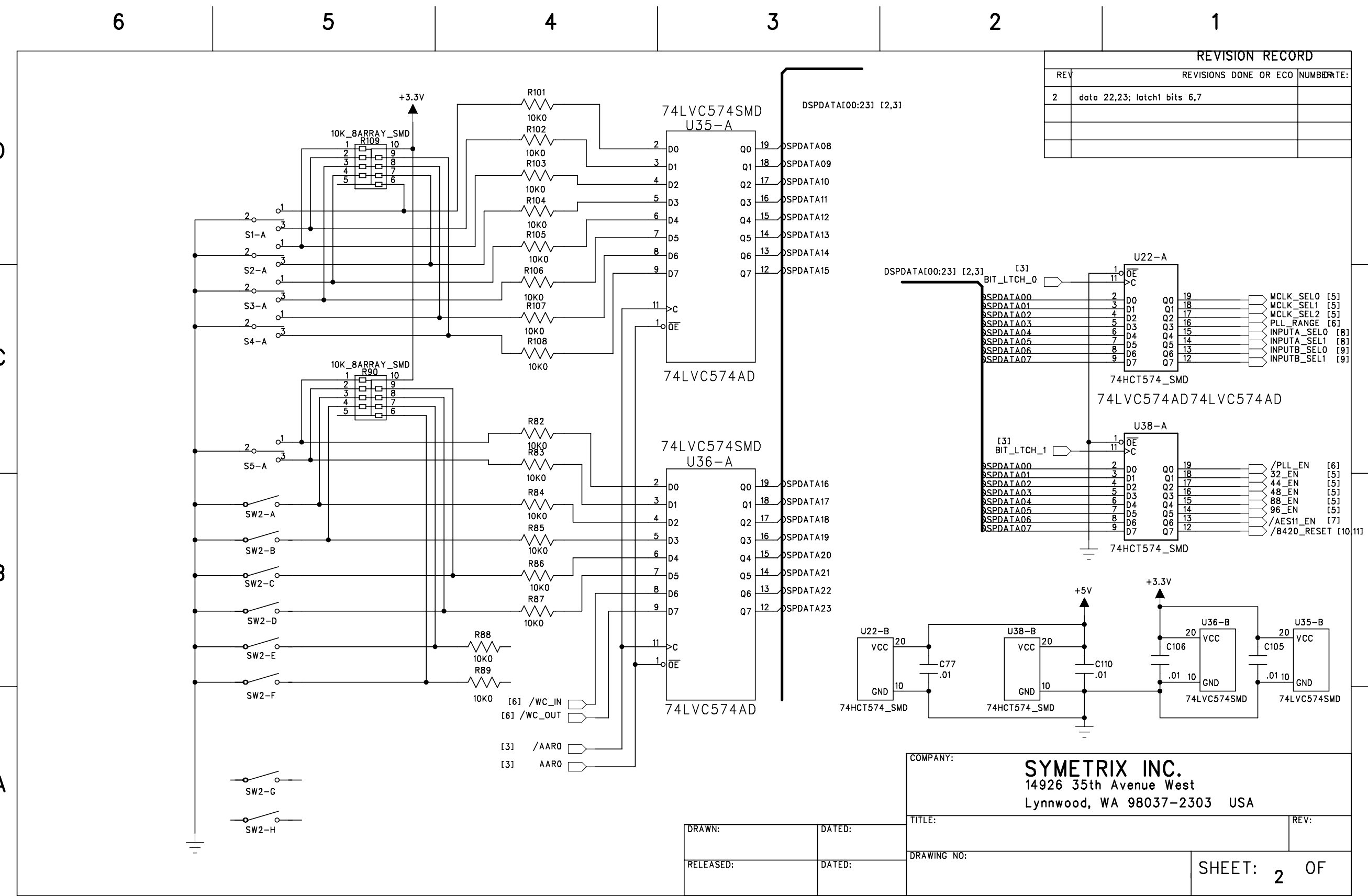


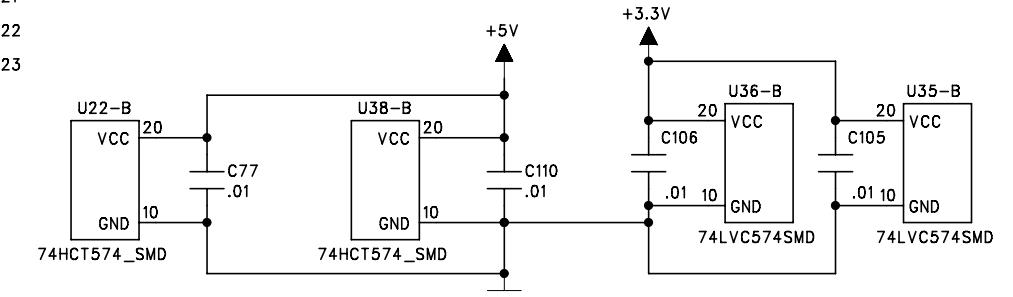
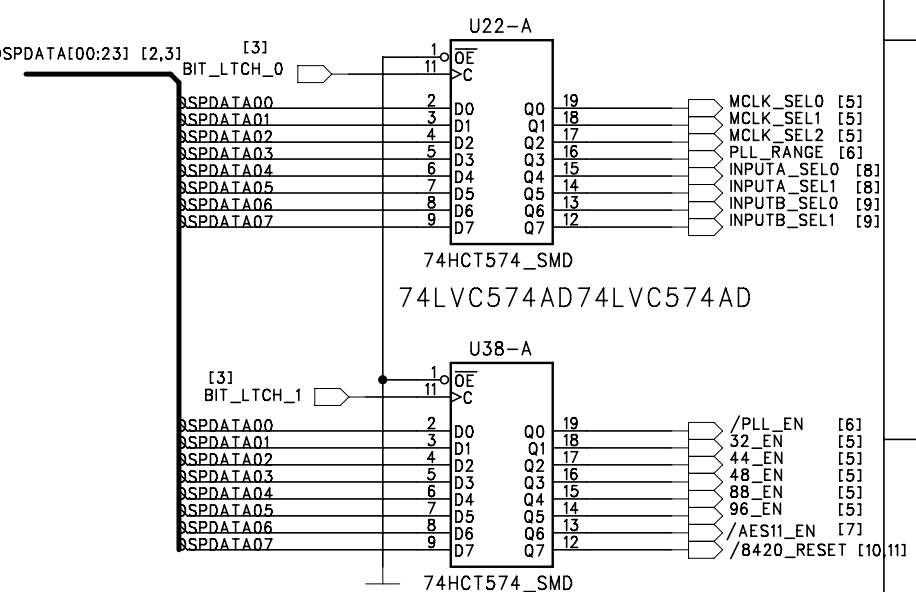
REVISION RECORD		
REV	REVISIONS DONE OR ECO	NUMBER DATE

COMPANY: **SYMETRIX INC.**
 14926 35th Avenue West
 Lynnwood, WA 98037-2303 USA

TITLE: BICYCLE SRC9624	LEDs	REV: B.00
DRAWN: NO'N	DATED: 2/2/00	DRAWING NO:
RELEASED:	DATED:	SHEET: 1 OF 14

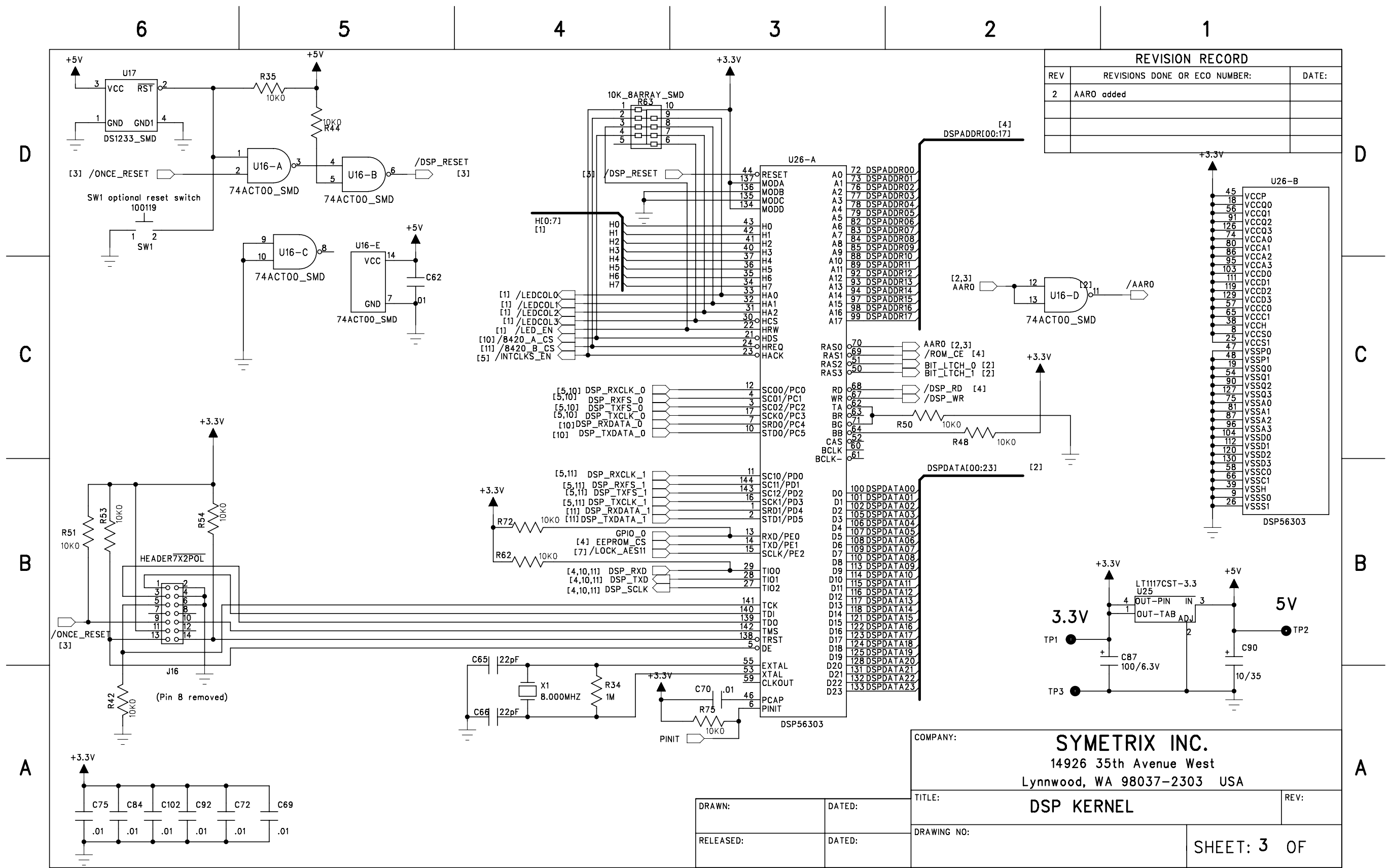


REVISION RECORD		
REV	REVISIONS DONE OR ECO	NUMBER DATE
2	data 22,23; latch1 bits 6,7	



COMPANY: **SYMETRIX INC.**
 14926 35th Avenue West
 Lynnwood, WA 98037-2303 USA

DRAWN:	DATED:	TITLE:	REV:
RELEASED:	DATED:	DRAWING NO:	SHEET: 2 OF



REVISION RECORD		
REV	REVISIONS DONE OR ECO NUMBER:	DATE:
2	AARO added	

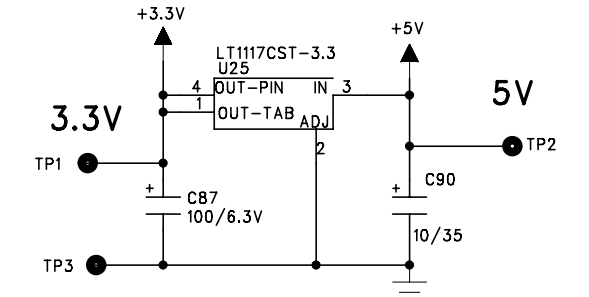
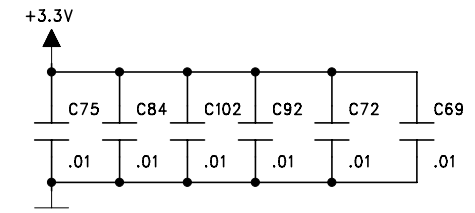
COMPANY: **SYMETRIX INC.**
 14926 35th Avenue West
 Lynnwood, WA 98037-2303 USA

TITLE: **DSP KERNEL**

DRAWING NO: _____ SHEET: **3** OF _____

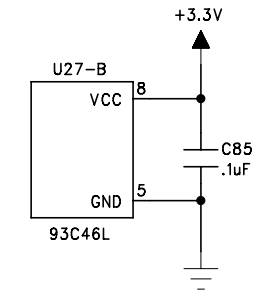
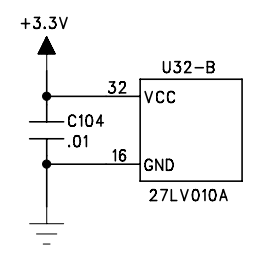
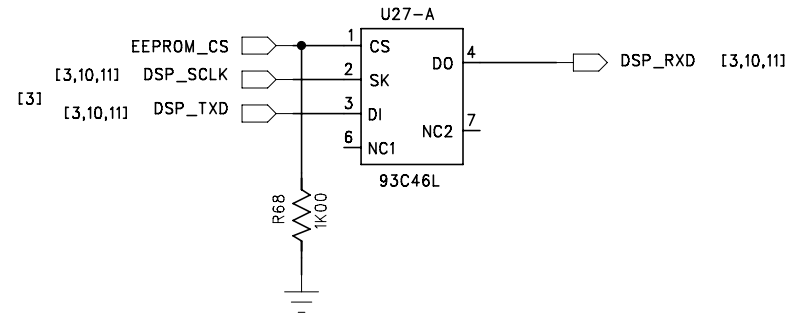
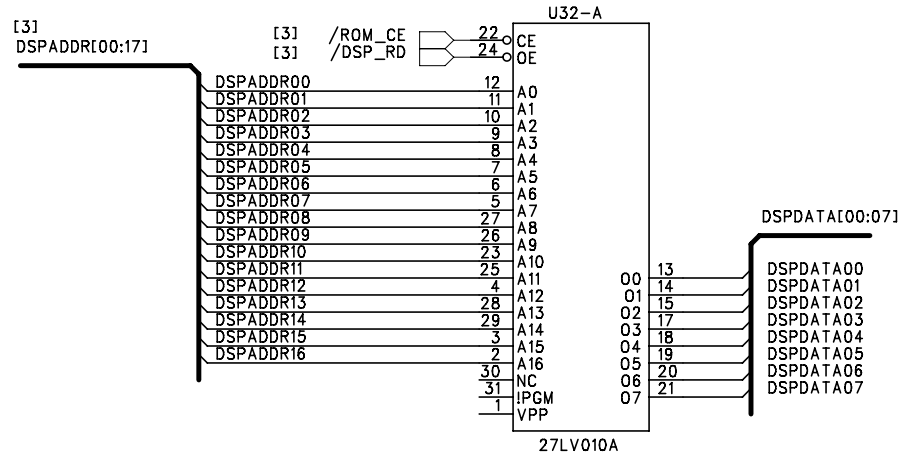
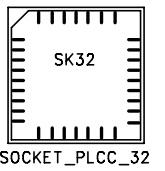
REV: _____

DRAWN:	DATED:
RELEASED:	DATED:



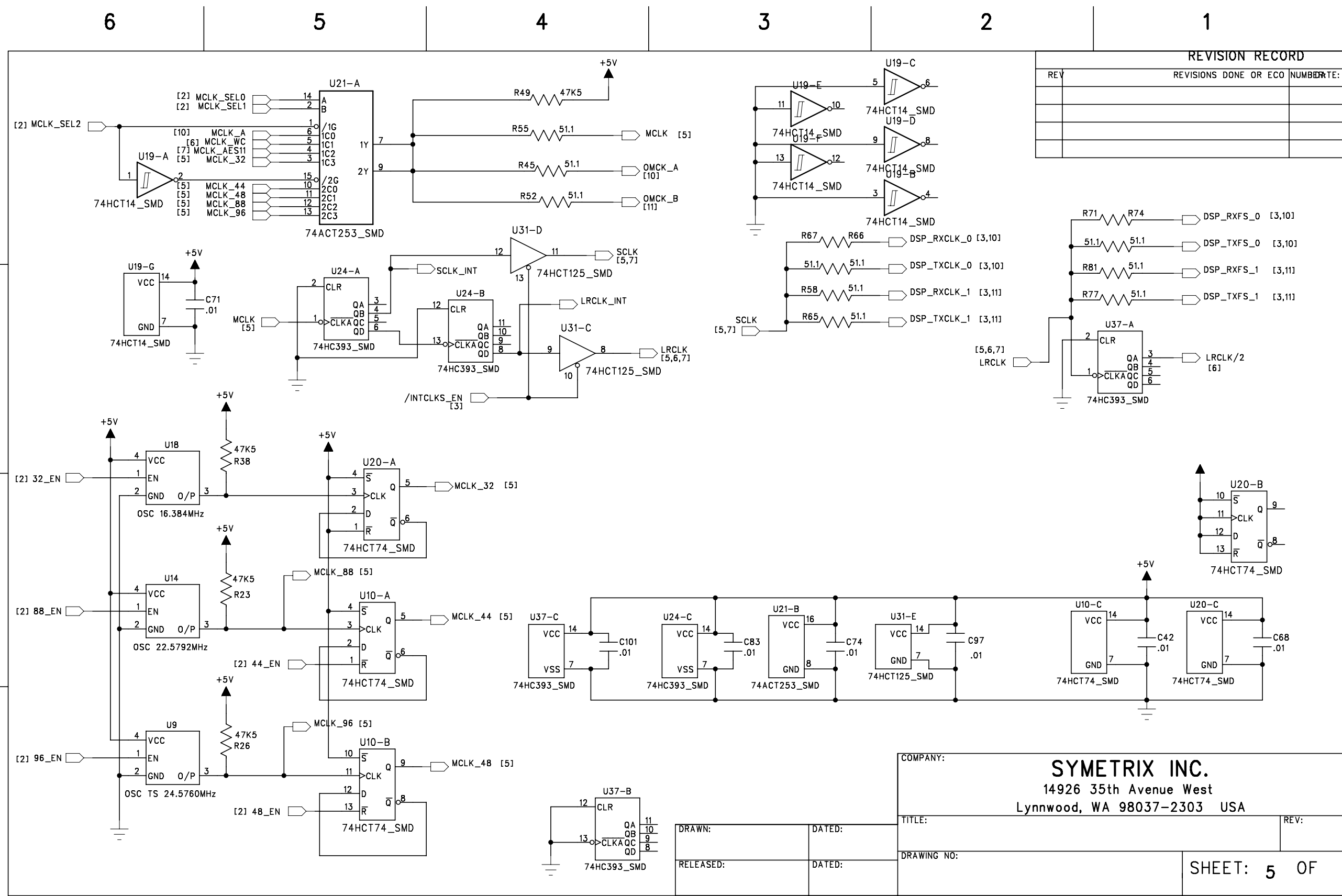
6 5 4 3 2 1

REVISION RECORD		
REV	REVISIONS DONE OR ECO NUMBER:	DATE:



COMPANY: **SYMETRIX INC.**
14926 35th Avenue West
Lynnwood, WA 98037-2303 USA

DRAWN:	DATED:	TITLE: DSP EPROM	REV:
RELEASED:	DATED:	DRAWING NO:	SHEET: 4 OF



REVISION RECORD		
REV	REVISIONS DONE OR ECO	NUMBER DATE

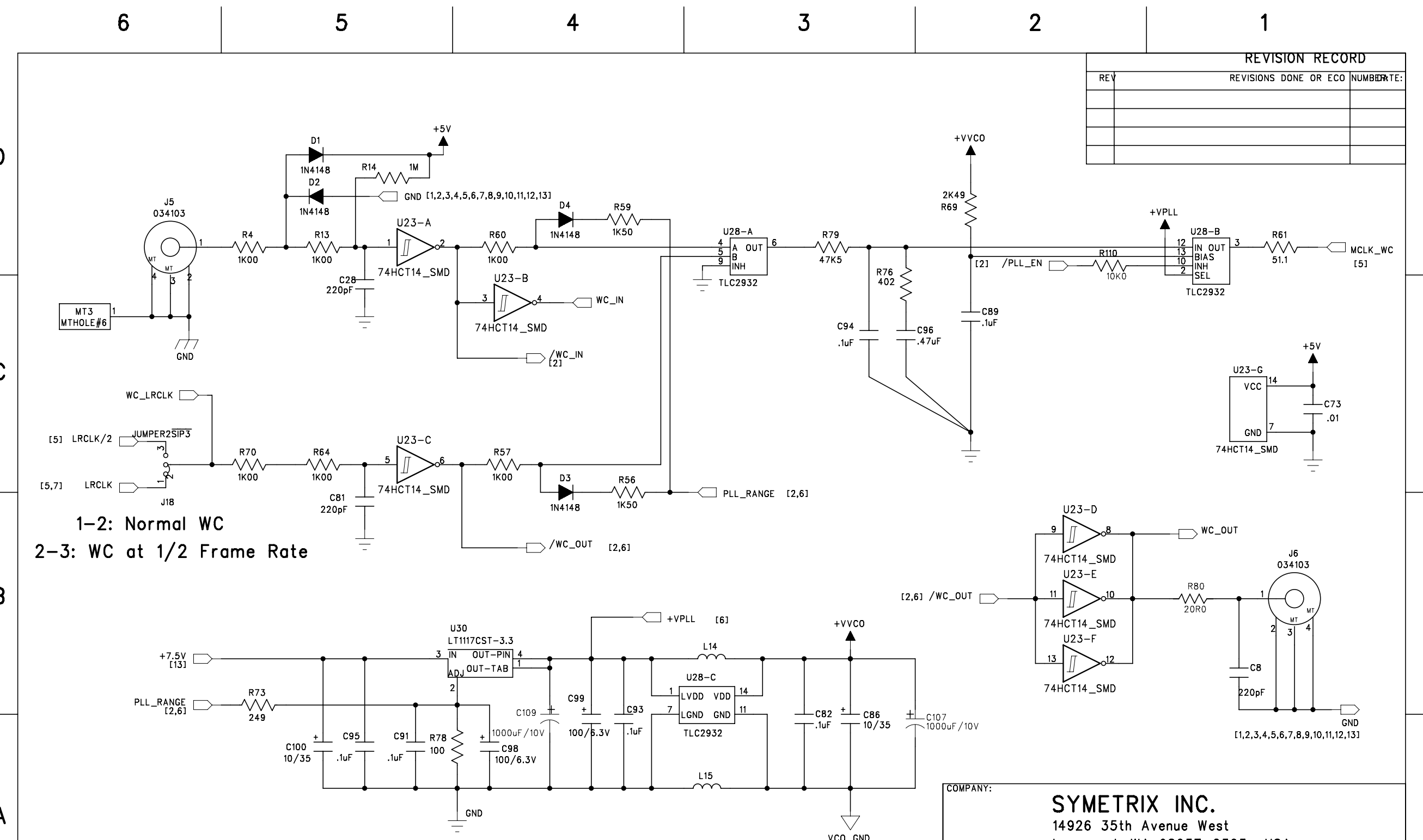
COMPANY: **SYMETRIX INC.**
 14926 35th Avenue West
 Lynnwood, WA 98037-2303 USA

TITLE: _____ REV: _____

DRAWING NO: _____ SHEET: **5** OF _____

DRAWN: _____ DATED: _____

RELEASED: _____ DATED: _____



1-2: Normal WC
 2-3: WC at 1/2 Frame Rate

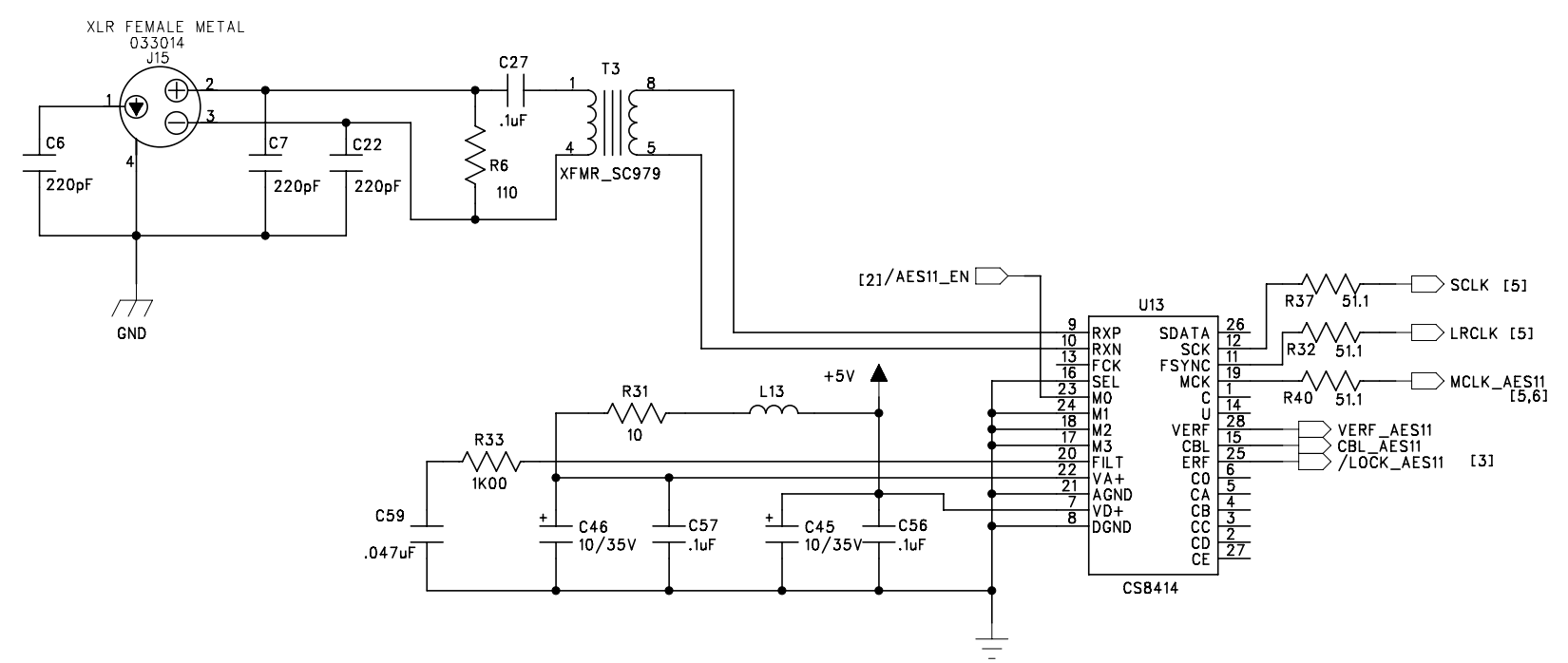
REVISION RECORD		
REV	REVISIONS DONE OR ECO	NUMBER DATE

COMPANY: **SYMETRIX INC.**
 14926 35th Avenue West
 Lynnwood, WA 98037-2303 USA

DRAWN:	DATED:	TITLE:	REV:
RELEASED:	DATED:	DRAWING NO:	SHEET: 6 OF

6 | 5 | 4 | 3 | 2 | 1

REVISION RECORD		
REV	REVISIONS DONE OR ECO	NUMBER DATE



D
C
B
A

D
C
B
A

COMPANY: **SYMETRIX INC.**
 14926 35th Avenue West
 Lynnwood, WA 98037-2303 USA

TITLE: _____ REV: _____

DRAWING NO: _____ SHEET: 7 OF

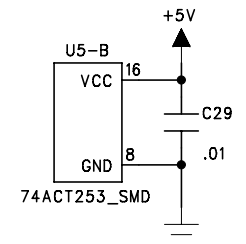
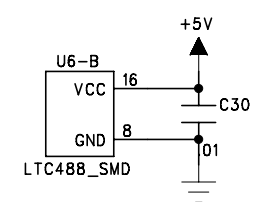
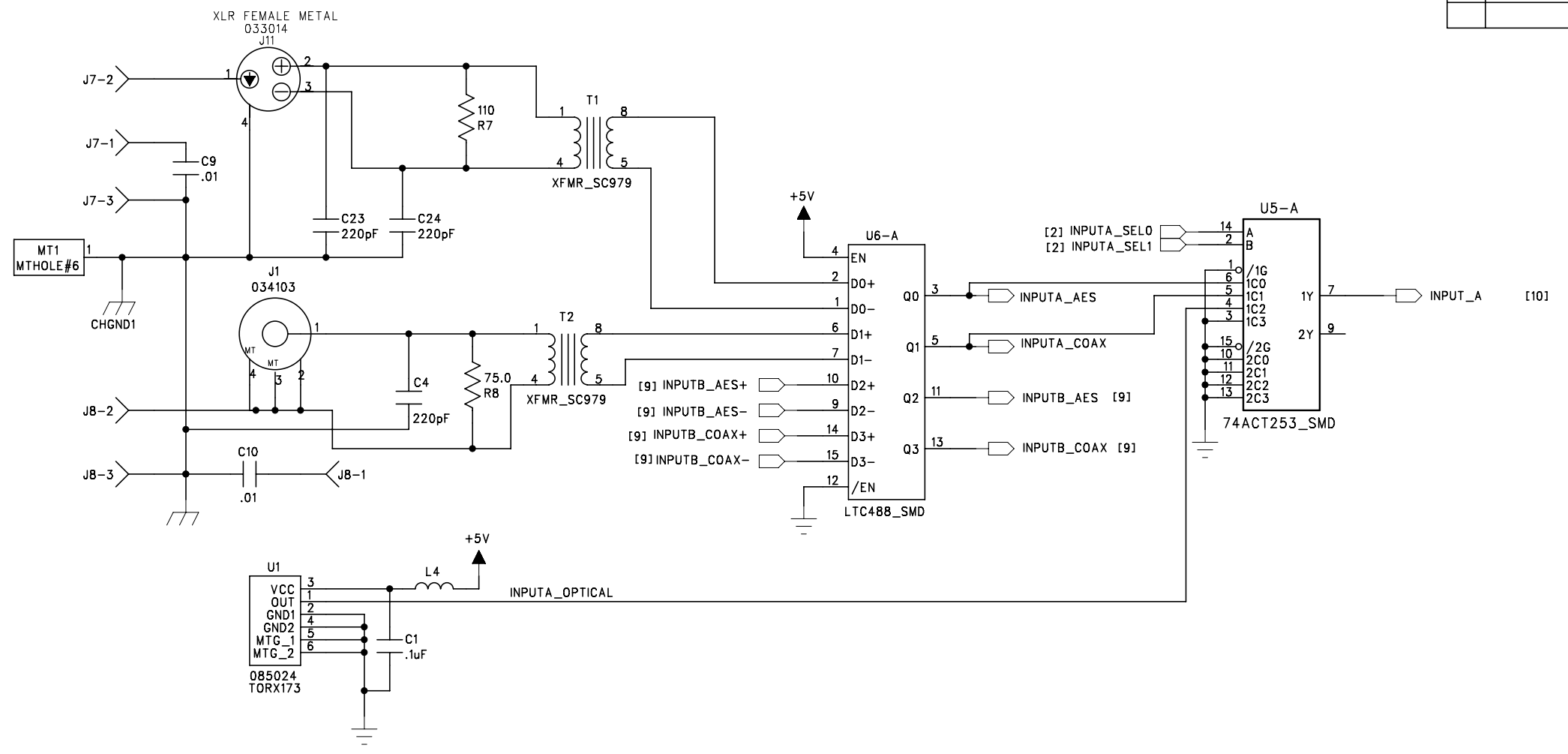
DRAWN: _____ DATED: _____

RELEASED: _____ DATED: _____

6 | 5 | 4 | 3 | 2 | 1

REVISION RECORD		
REV	REVISIONS DONE OR ECO	NUMBER DATE

Digital input ground lift switch : 1-2 (default - ground lifted) : 2-3 (ground connected)



COMPANY: **SYMETRIX INC.**
 14926 35th Avenue West
 Lynnwood, WA 98037-2303 USA

TITLE: _____ REV: _____

DRAWING NO: _____

DRAWN: _____ DATED: _____

RELEASED: _____ DATED: _____

SHEET: **8** OF _____

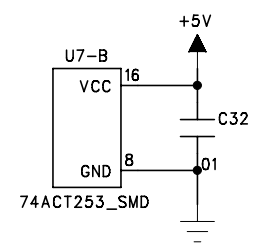
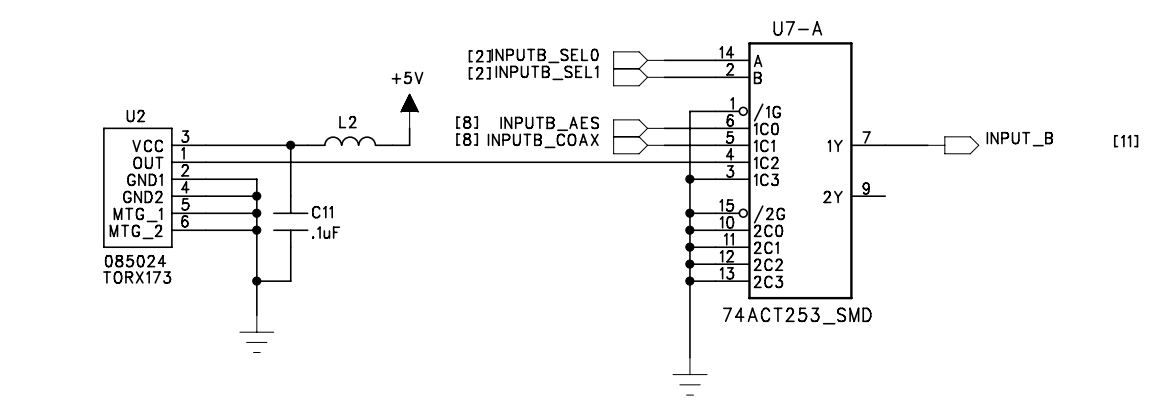
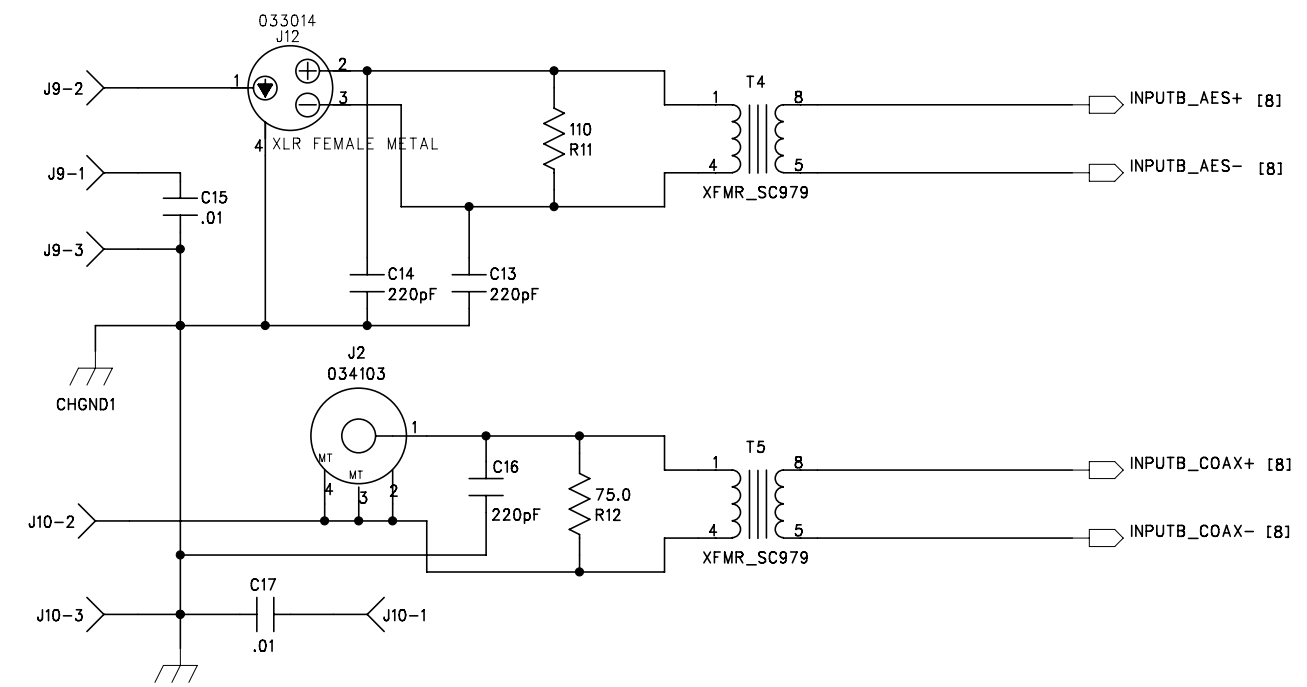
D
C
B
A

D
C
B
A

6 | 5 | 4 | 3 | 2 | 1

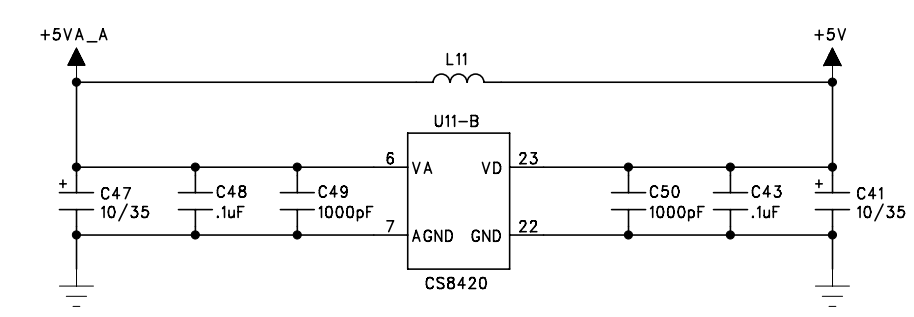
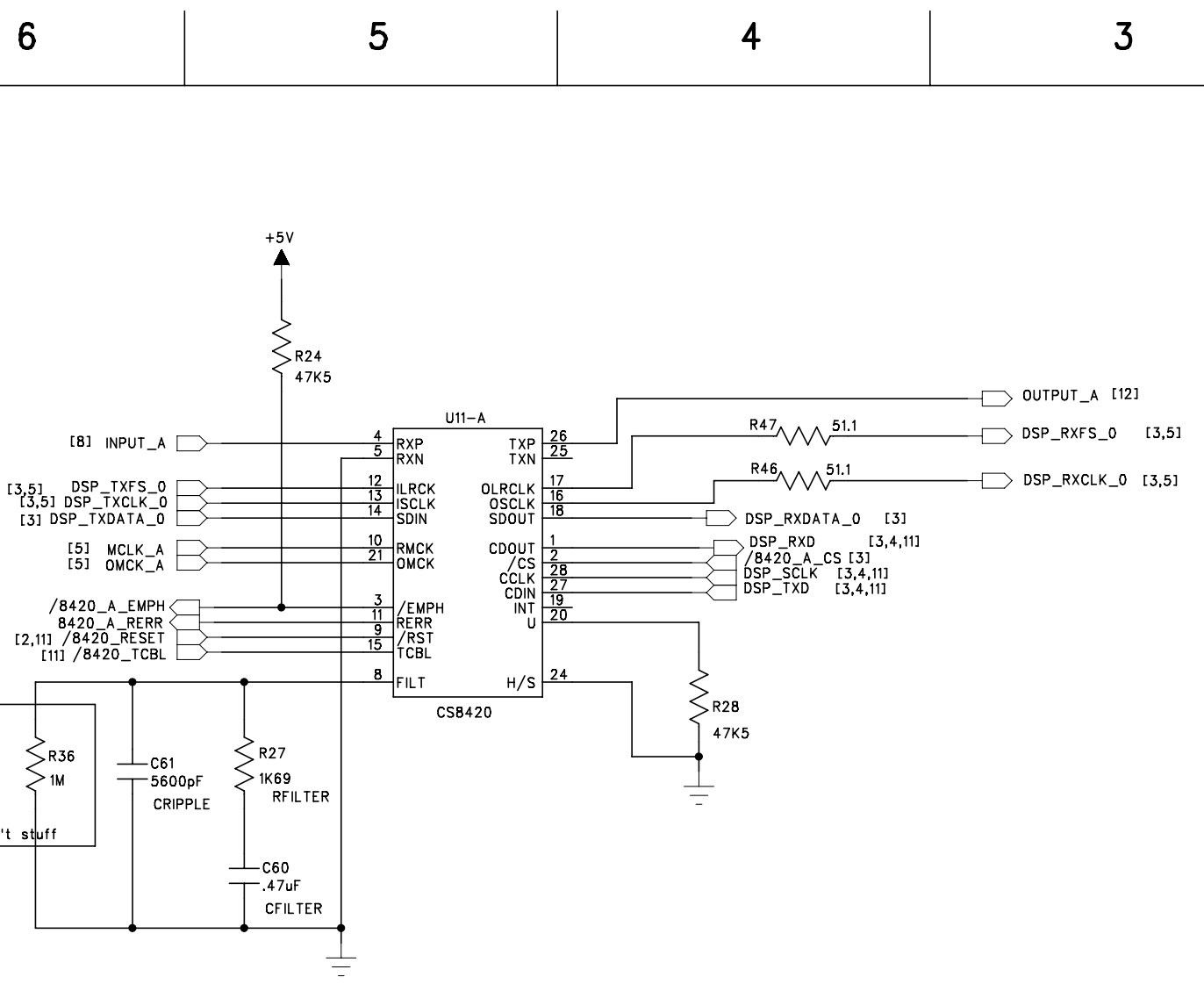
REVISION RECORD		
REV	REVISIONS DONE OR ECO	NUMBER DATE

Digital input ground lift switch : 1-2 (default - ground lifted) : 2-3 (ground connected)



COMPANY: **SYMETRIX INC.**
 14926 35th Avenue West
 Lynnwood, WA 98037-2303 USA

DRAWN:	DATED:	TITLE:	REV:
RELEASED:	DATED:	DRAWING NO:	SHEET: 9 OF



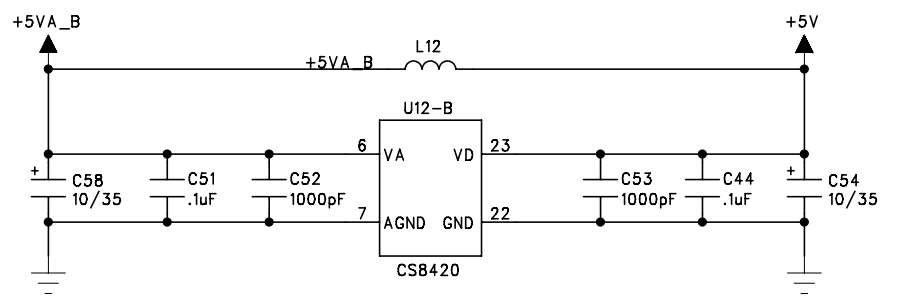
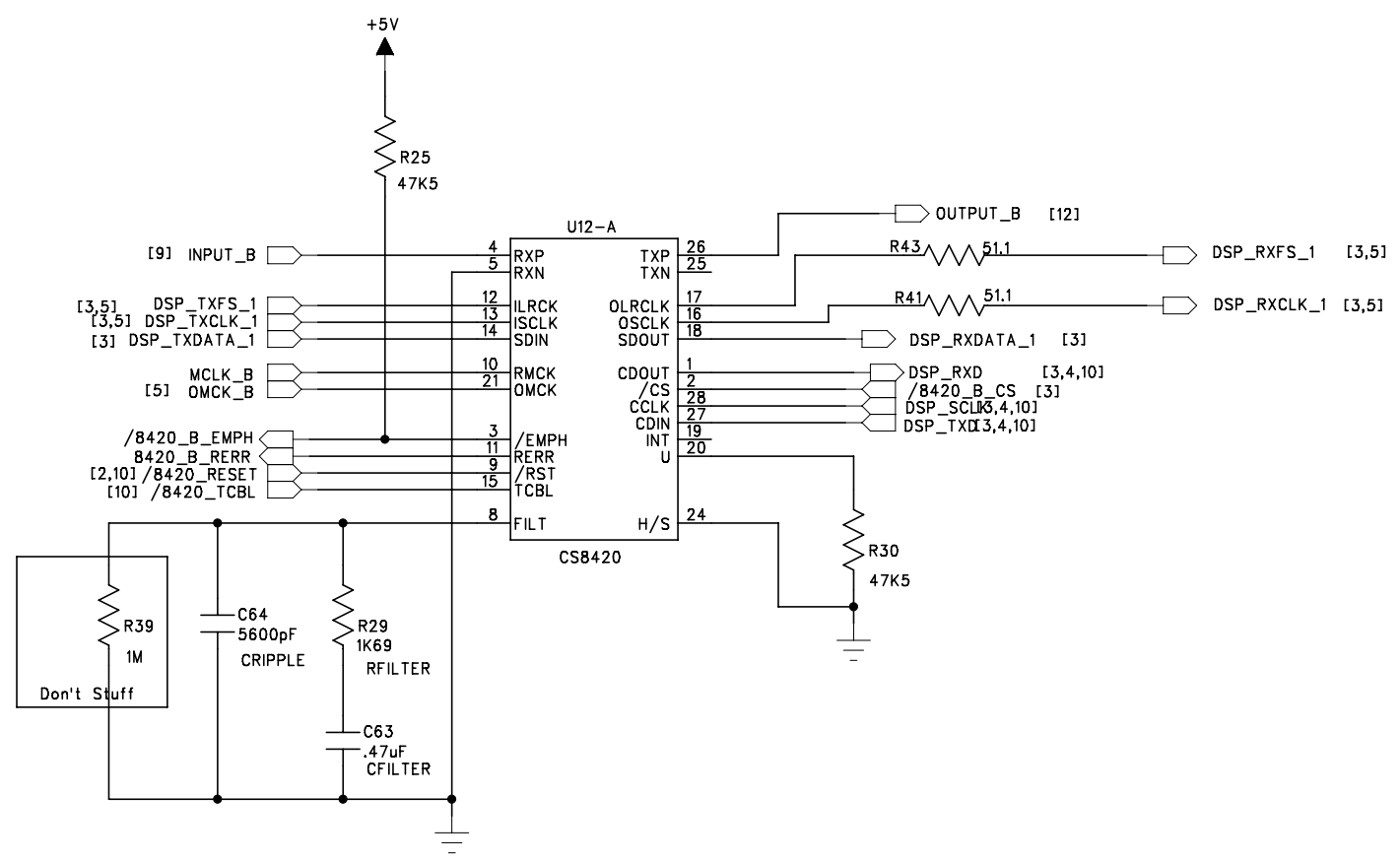
REVISION RECORD		
REV	REVISIONS DONE OR ECO	NUMBER DATE

COMPANY: **SYMETRIX INC.**
 14926 35th Avenue West
 Lynnwood, WA 98037-2303 USA

DRAWN:	DATED:	TITLE:	REV:
RELEASED:	DATED:	DRAWING NO:	SHEET: 10 OF

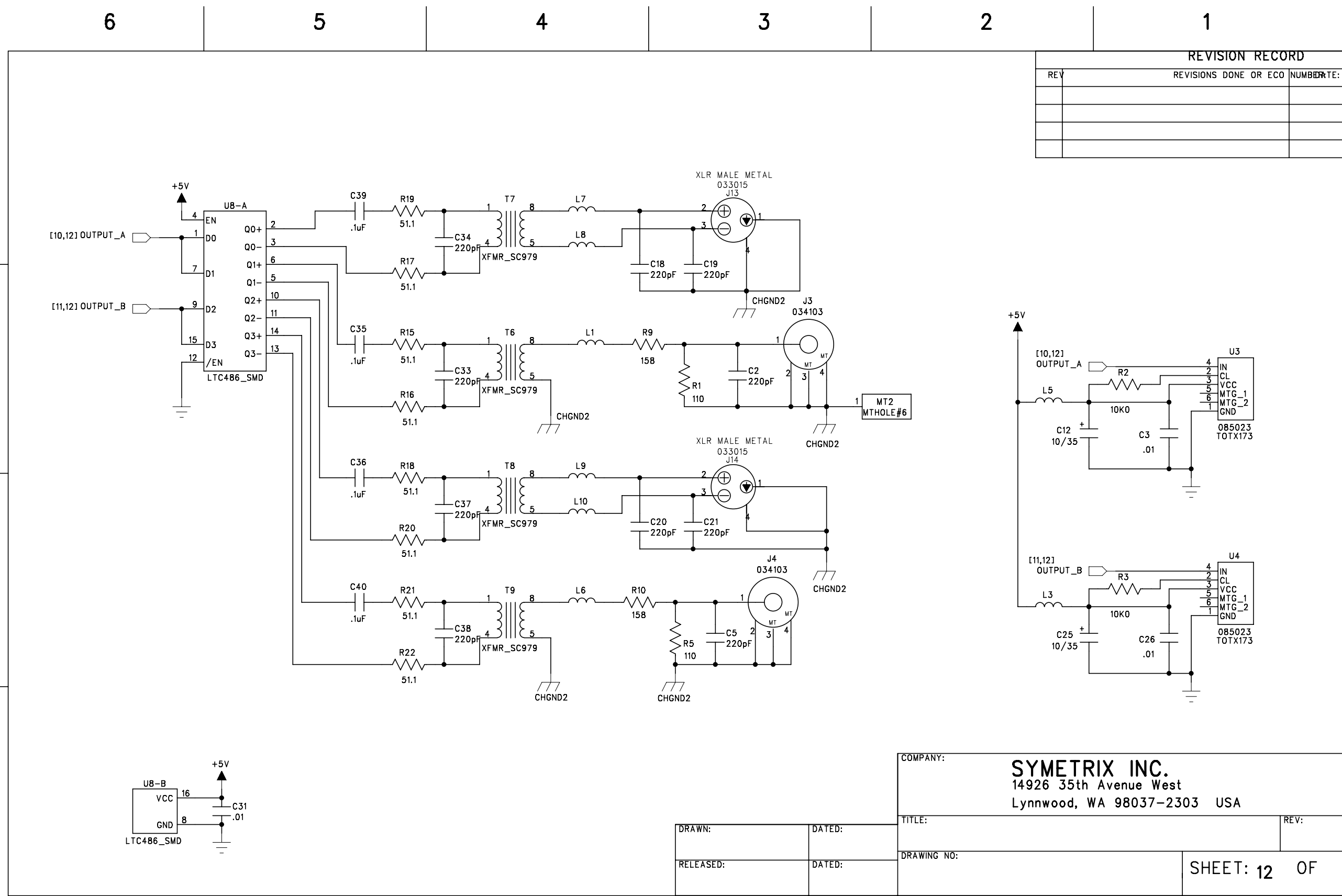
6 5 4 3 2 1

REVISION RECORD		
REV	REVISIONS DONE OR ECO	NUMBER DATE



COMPANY: **SYMETRIX INC.**
 14926 35th Avenue West
 Lynnwood, WA 98037-2303 USA

DRAWN:	DATED:	TITLE:	REV:
RELEASED:	DATED:	DRAWING NO:	SHEET: 11 OF

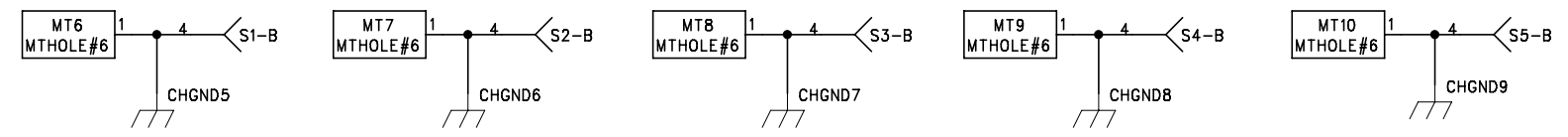
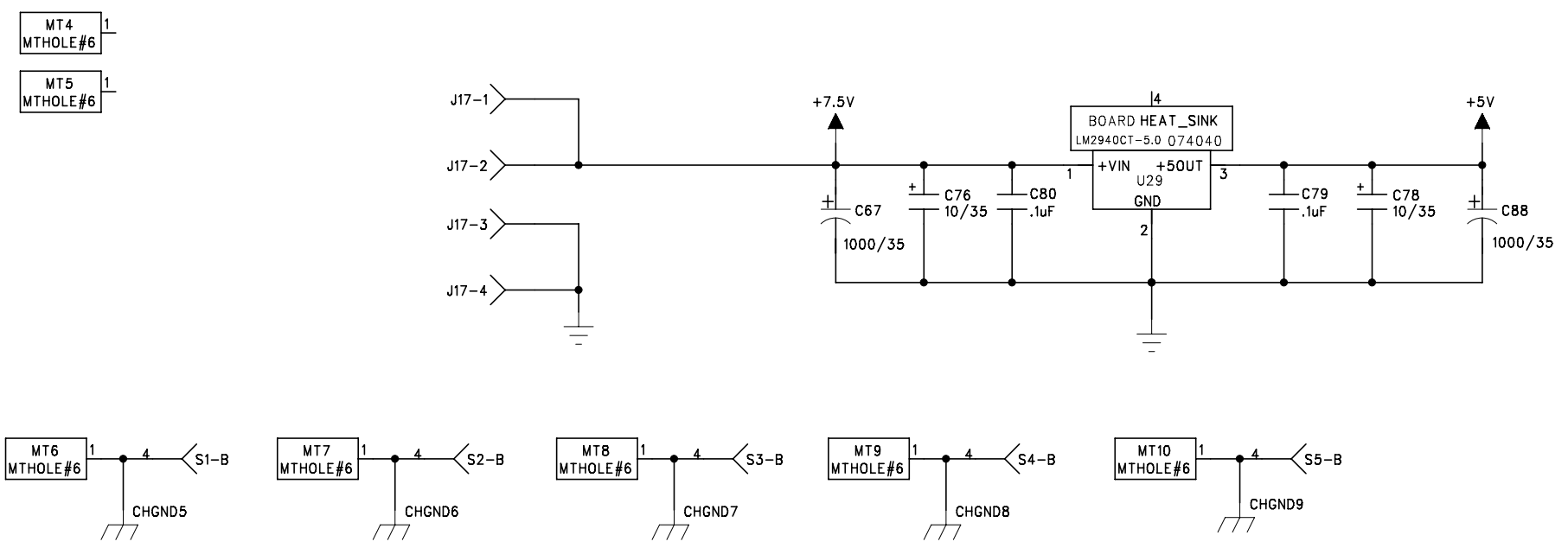


REVISION RECORD		
REV	REVISIONS DONE OR ECO	NUMBER DATE

COMPANY:		SYMETRIX INC.	
		14926 35th Avenue West	
		Lynnwood, WA 98037-2303 USA	
DRAWN:		TITLE:	
RELEASED:		DRAWING NO:	
DATED:		REV:	
DATED:		SHEET: 12 OF	

6 5 4 3 2 1

REVISION RECORD		
REV	REVISIONS DONE OR ECO	DATE



COMPANY:		SYMETRIX INC.	
		14926 35th Avenue West Lynnwood, WA 98037-2303 USA	
TITLE:		BICYCLE SRC9624	REV: 1.00
DRAWN:		DATED:	
11/30/99		NO'N	
RELEASED:		DATED:	
		DRAWING NO:	
		SHEET: 14 OF	

D
C
B
A

D
C
B
A