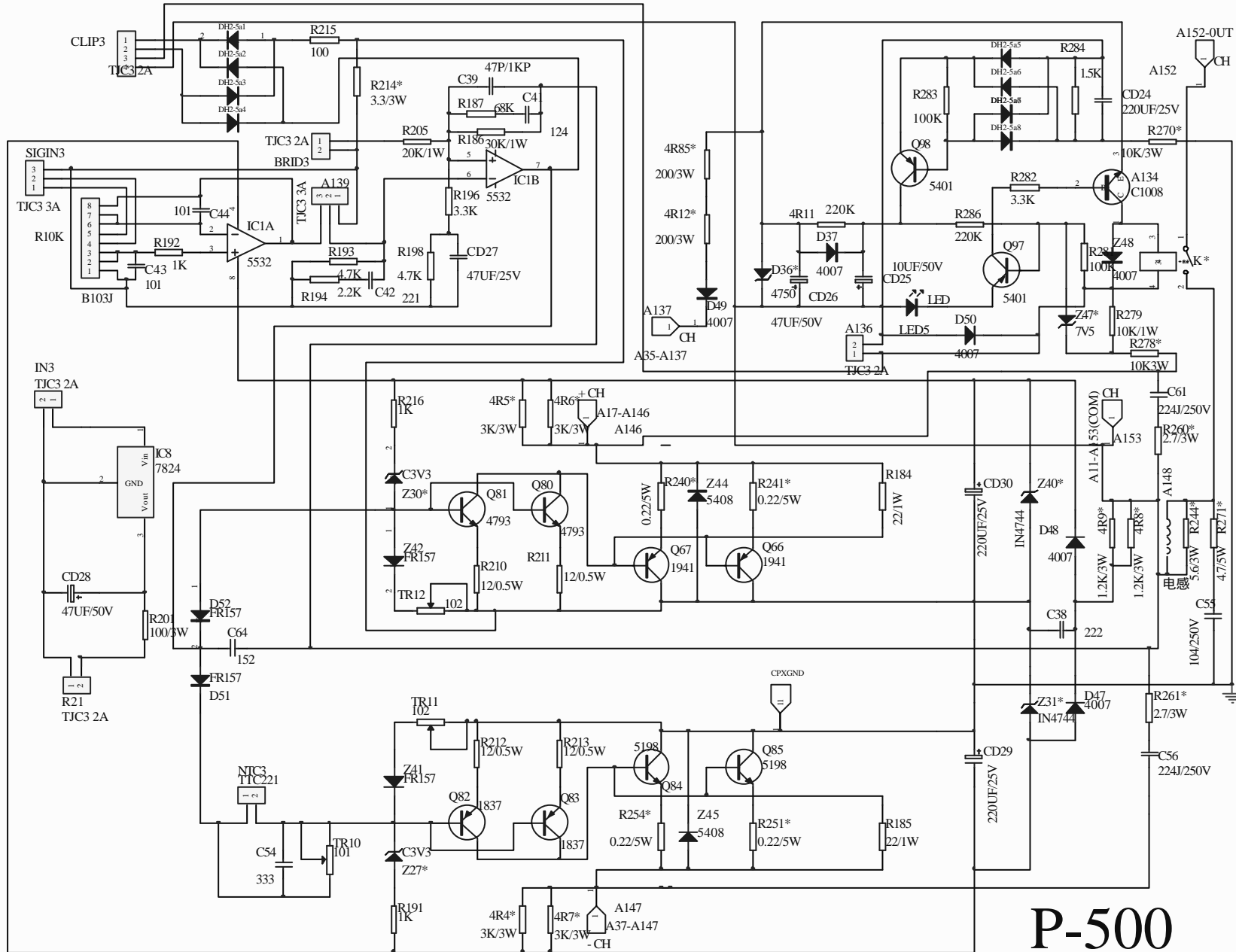


P-400

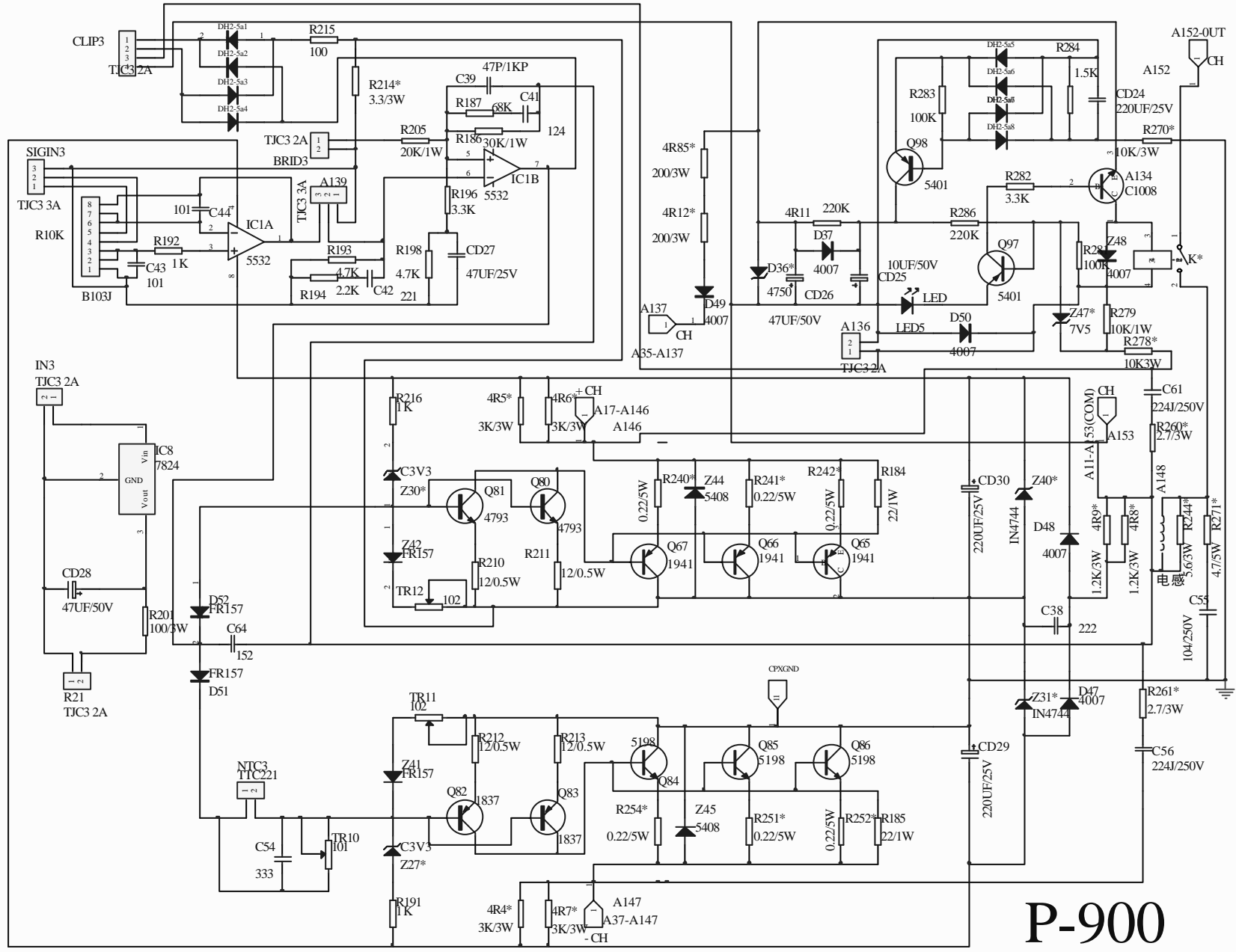
注：带“*”号的为控制元件



P-500

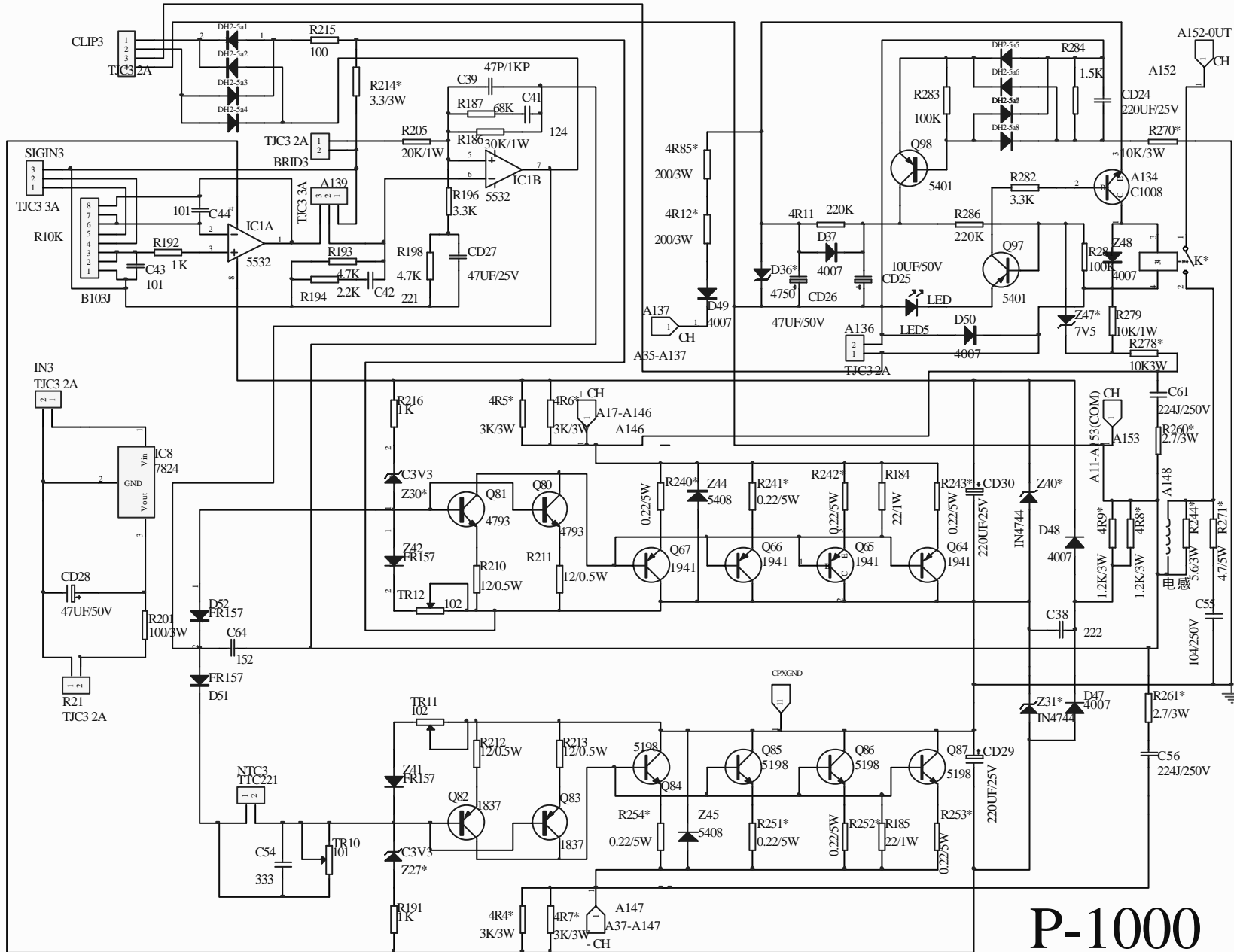
注：带“*”号为控制元件

Title		
Size	Number	Revision
B		
Date:	2004-7-26	Sheet of
File:	C:\My Documents\Adobe\p-500.SCH	Drawn By:



P-900

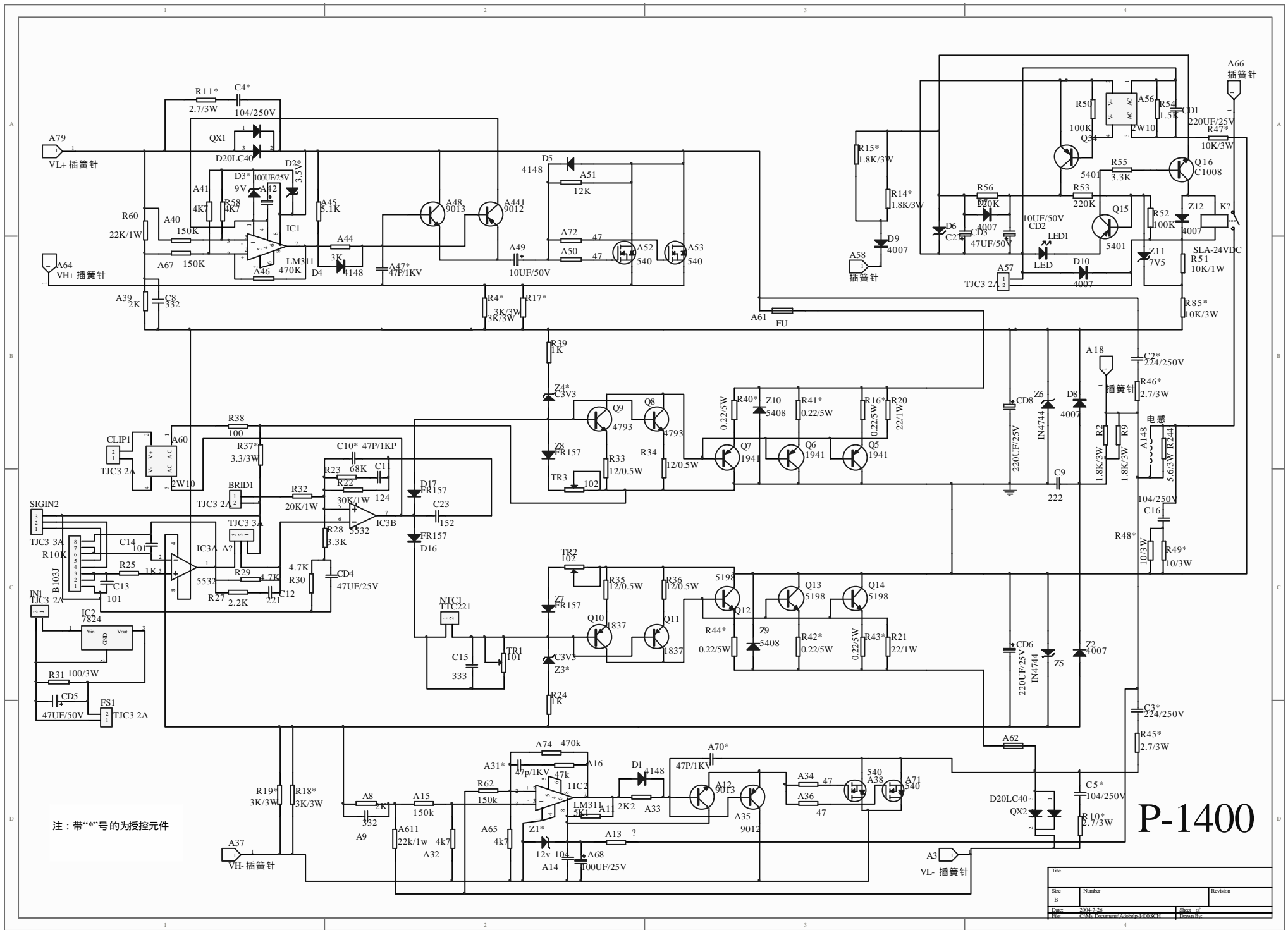
注：带“*”号的为控制元件



P-1000

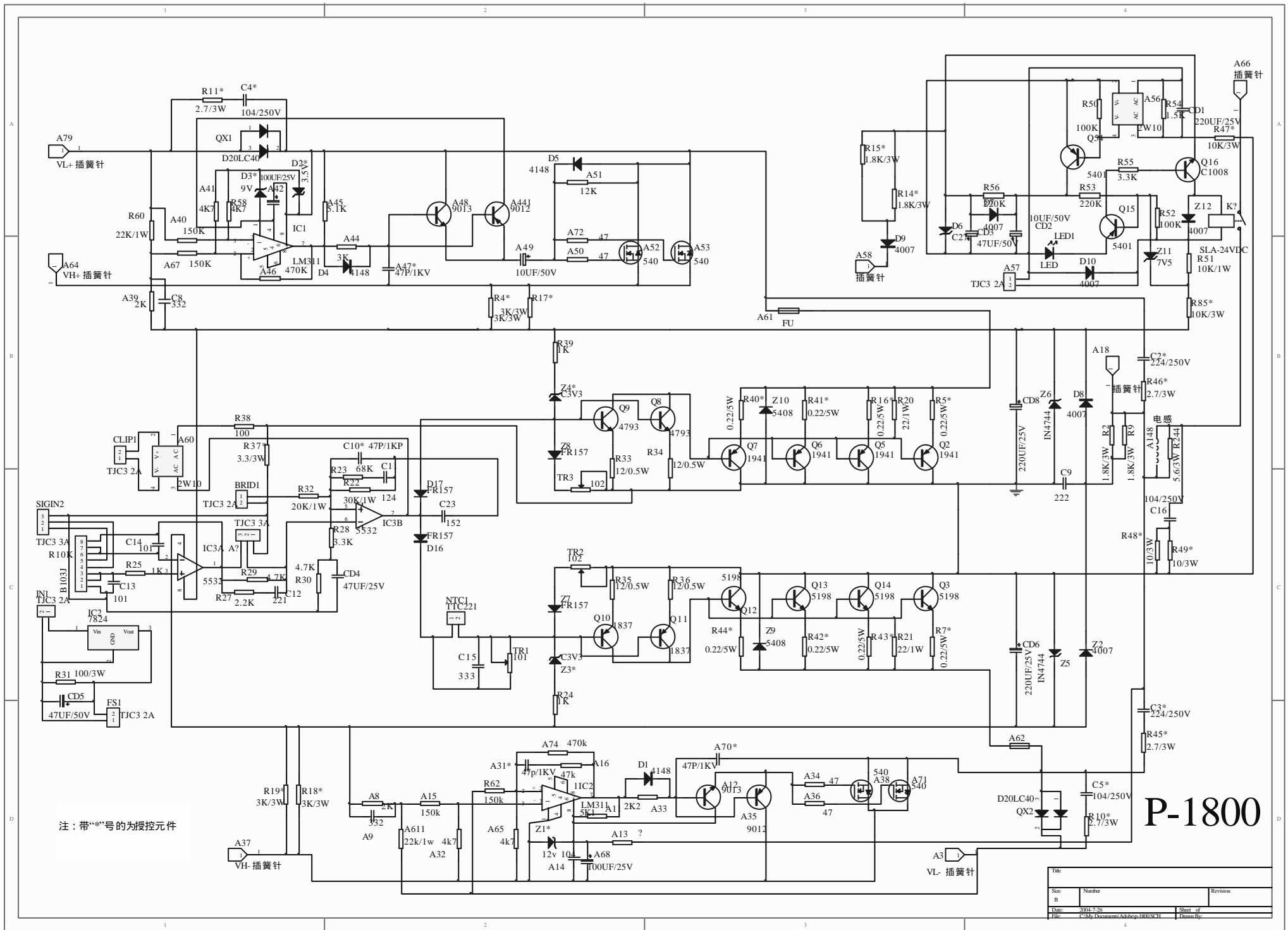
注：带“*”号的为控制元件

Title		
Size	Number	Revision
B		
Date:	2004-7-26	Sheet of
File:	C:\My Documents\Adbob\p-1000\SCH	Drawn By:



P-1400

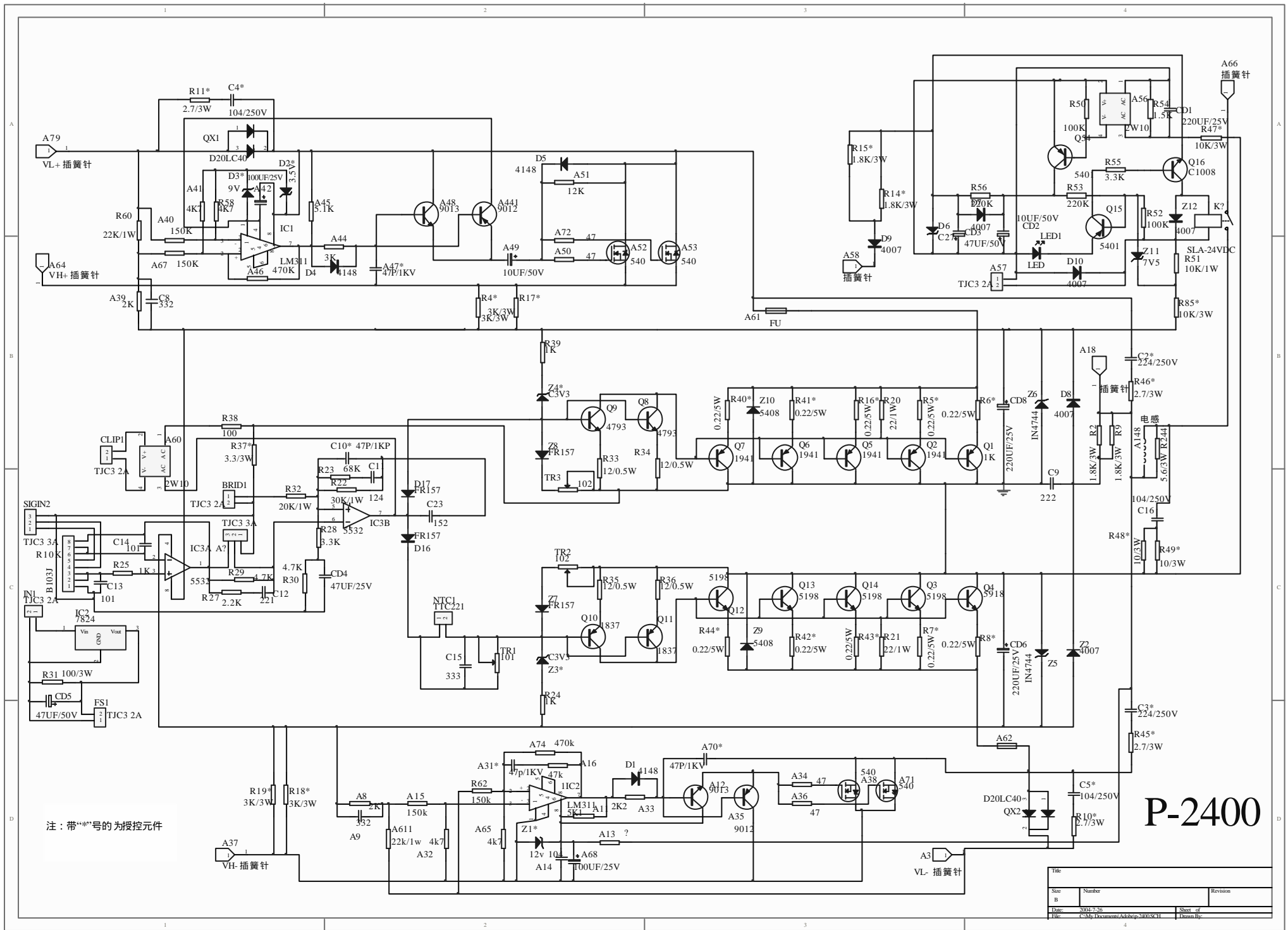
Title		
Size	Number	Revision
B		
Date:	2004.7.29	
File:	C:\My Documents\Addressip\1400SCH1	Sheet of
		1
		Drawn By:



注：带“*”号的为授控元件

P-1800

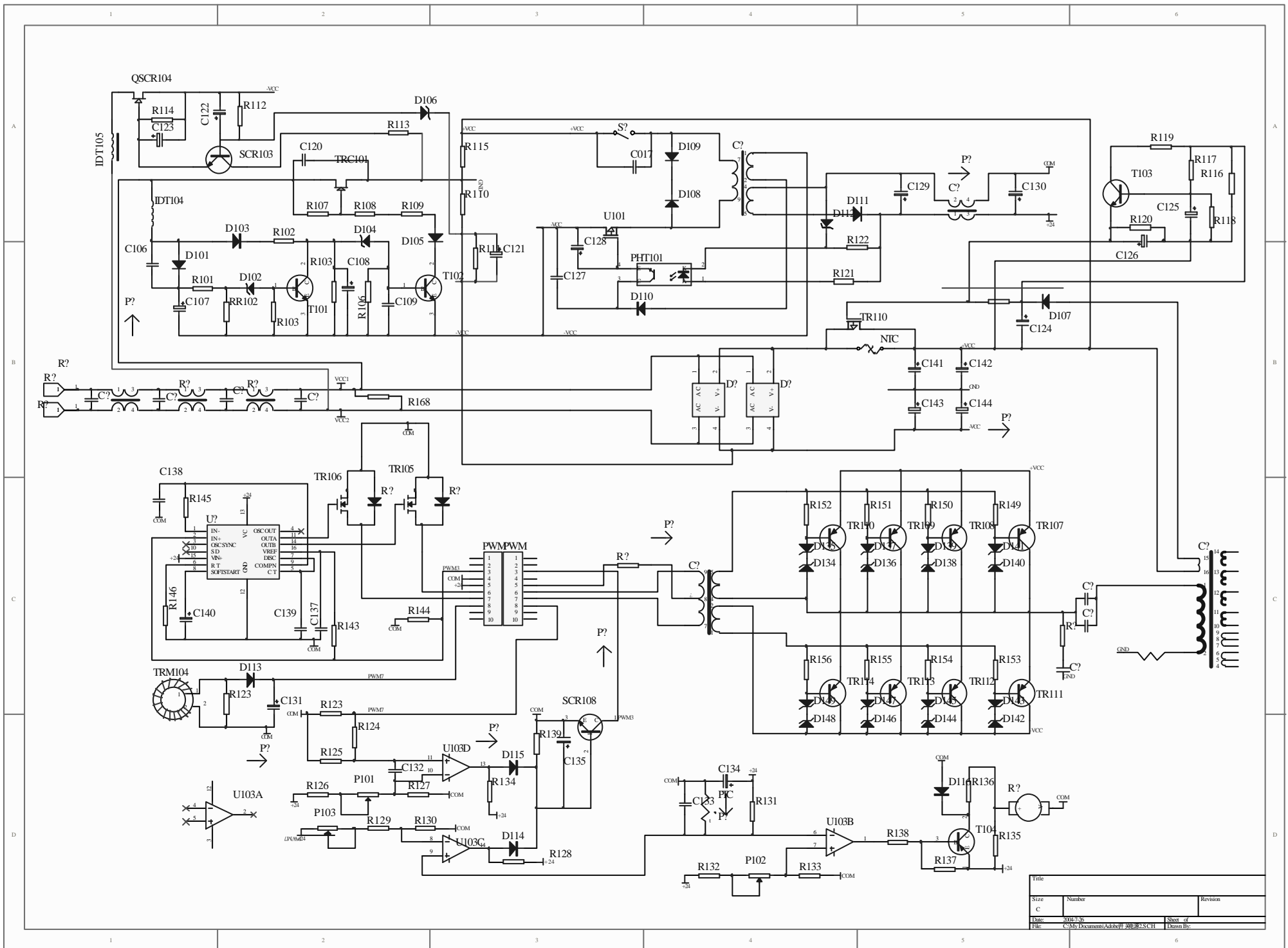
Title		
Size	Number	Revision
B		
Date:	2004-7-29	Sheet of
File:	C:\My Documents\Addressip-1800\SCH1	Drawn By:



注：带“*”号的为接控元件

P-2400

Title		Revision
Size	B	1
Number	004-7-29	
Date	004-7-29	
Sheet of	1	
File	C:\My Documents\Addressip-2400\SCH1.PcbDoc	



Title		
Size	Number	Revision
C		
Date:	2004/7/26	Sheet of
File:	C:\My Documents\Akkesh\2004\2.SCH1	Drawn By: