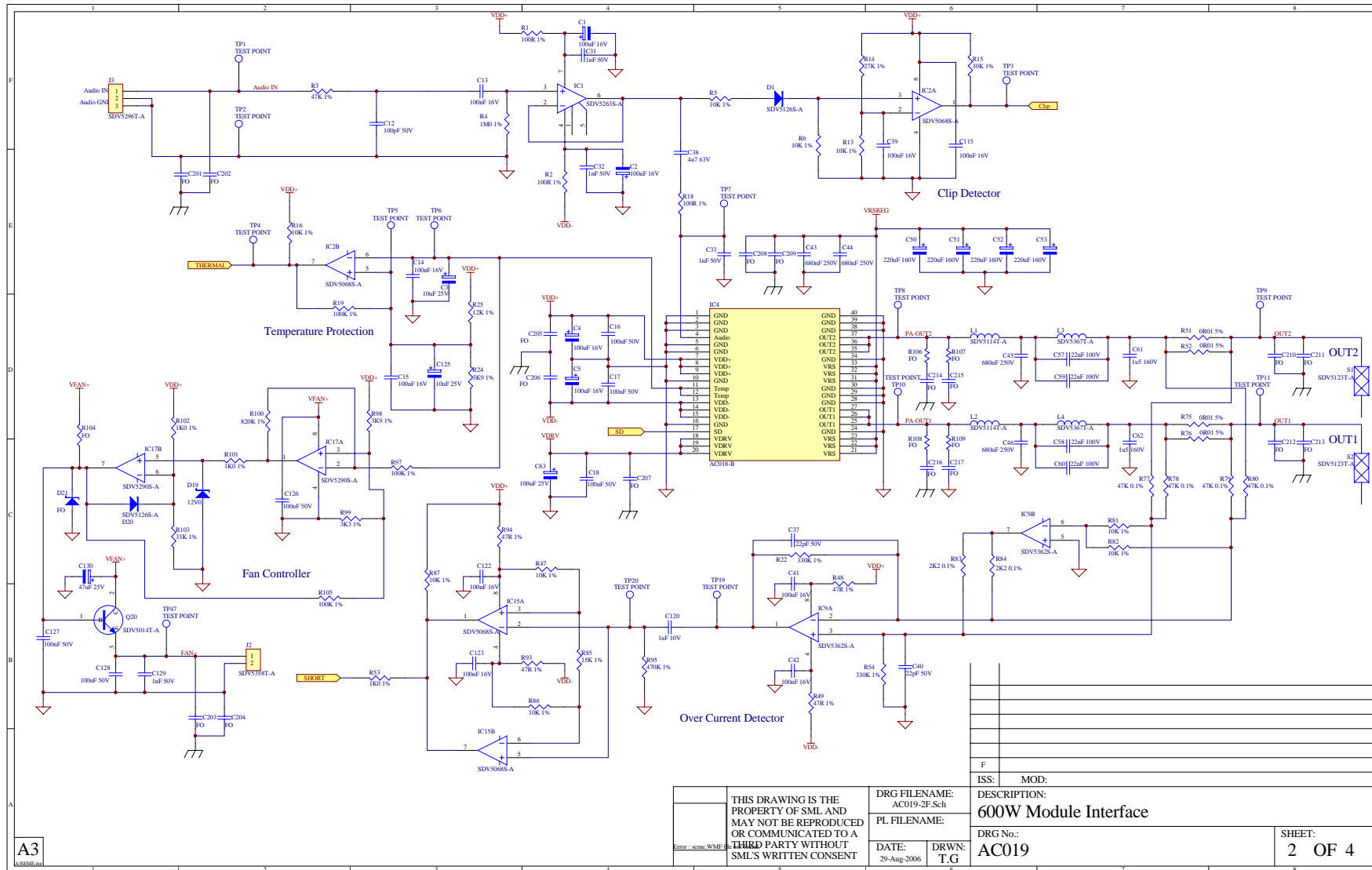


F	C109 was 1uF 50V, Added C238-249, R110, D22, Removed TP44.
E	L3 & L4 were SDV5289T-A, TP45 & 22 were TP-PA3, Added Extra mounting hole. Updated BR2&3 Footprints Added J3, J4, C200-237, R106-109. Removed S10, 12, 13, 14, 15
D	R91 was 470R, C121 was 1uF 0805, R68 was 100K, C3,7,8,9 were 100uF 16V, R25 was 22K, R24 was 3K3 Corrected J1 footprint, Changed mounting of Q11&12 & IC10&12, C56 & RT1 Removed, C125 added Fan controller circuitry added
C	Short Circuit Redesign and Relayout
B	Regulator controls redesigned and Relayout
A	First Issue
ISS:	MOD:

	THIS DRAWING IS THE PROPERTY OF SML AND MAY NOT BE REPRODUCED OR COMMUNICATED TO A THIRD PARTY WITHOUT SML'S WRITTEN CONSENT	DRG FILENAME: AC019-1F.Sch
		PL FILENAME:
		DATE: 29-Aug-2006
		DRWN: T.G

DESCRIPTION: Peavey 600W Interface Board	
DRG No.:	AC019
SHEET:	1 OF 4

A3
A30308.dwg



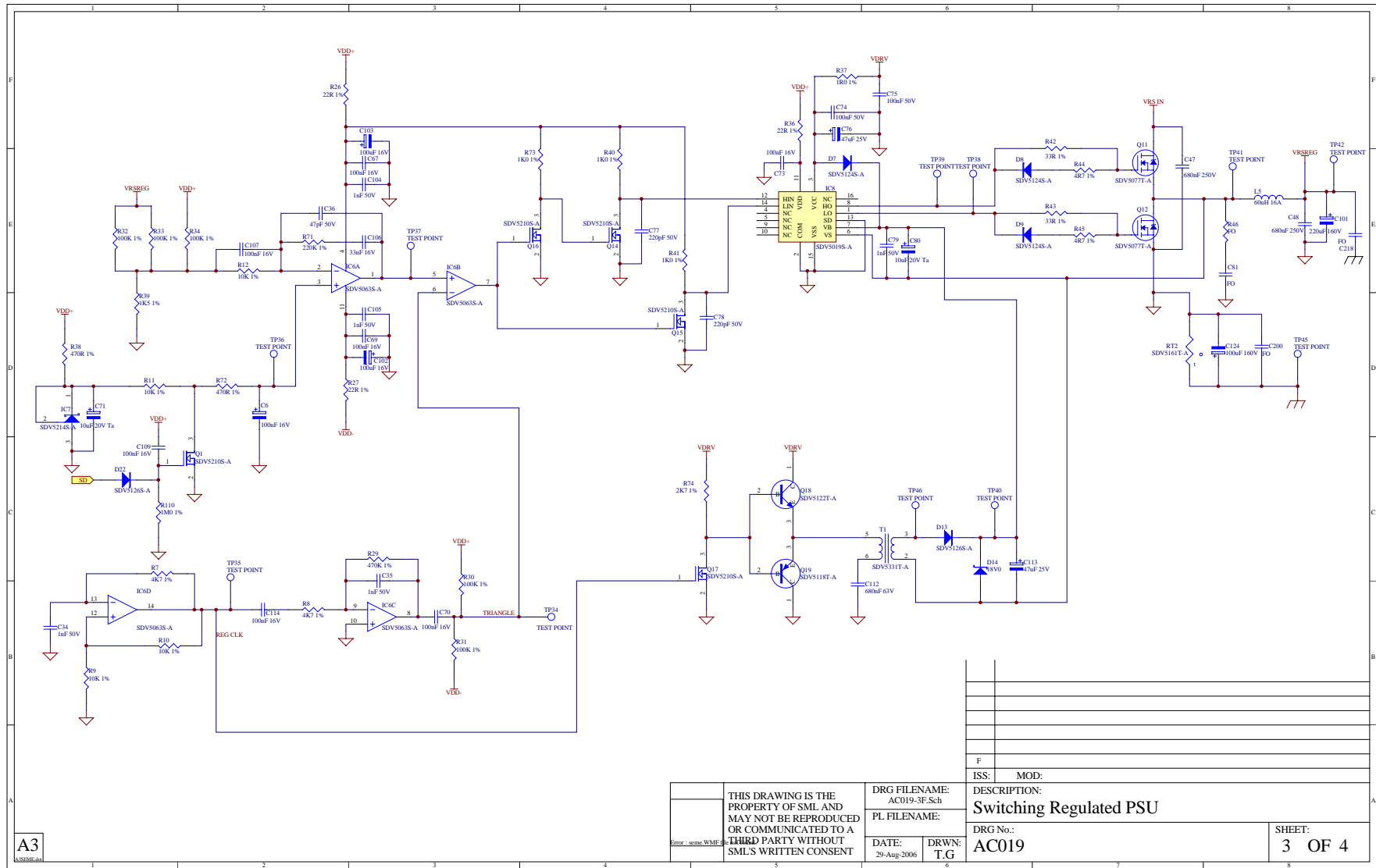
A3

THIS DRAWING IS THE
PROPERTY OF SML AND
MAY NOT BE REPRODUCED
OR COMMUNICATED TO A
THIRD PARTY WITHOUT
SML'S WRITTEN CONSENT

DRG FILENAME:
AC019-2F.Sch
PL FILENAME:
DATE:
29-Aug-2006
DRWN:
T.G

DESCRIPTION:
600W Module Interface
DRG No.:
AC019

SHEET:
2 OF 4



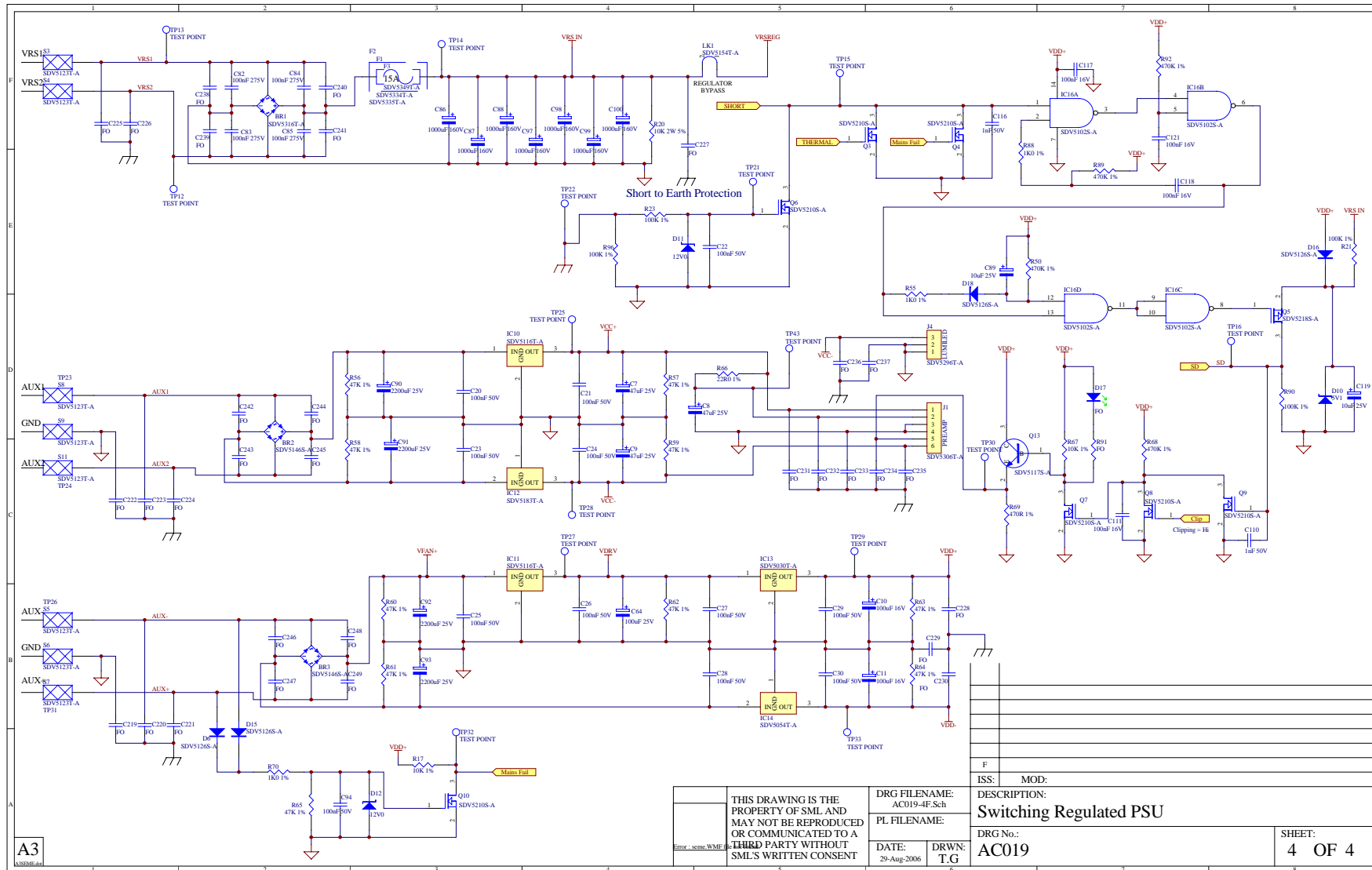
A3

THIS DRAWING IS THE
PROPERTY OF SML AND
MAY NOT BE REPRODUCED
OR COMMUNICATED TO A
THIRD PARTY WITHOUT
SML'S WRITTEN CONSENT

DRG FILENAME:
AC019-3F.Sch
PL FILENAME:
DATE:
29-Aug-2006

DESCRIPTION:
Switching Regulated PSU
DRG No.:
AC019

SHEET:
3 OF 4



A3

THIS DRAWING IS THE PROPERTY OF SML AND MAY NOT BE REPRODUCED OR COMMUNICATED TO A THIRD PARTY WITHOUT SML'S WRITTEN CONSENT

DRG FILENAME: AC019-4F.Sch
PL FILENAME:
DATE: 29-Aug-2006
DRWN: T.G

DESCRIPTION: Switching Regulated PSU
DRG No.: AC019

SHEET: 4 OF 4

