

TRACE ELLIOT

SERVICE MANUAL NO. SM00006

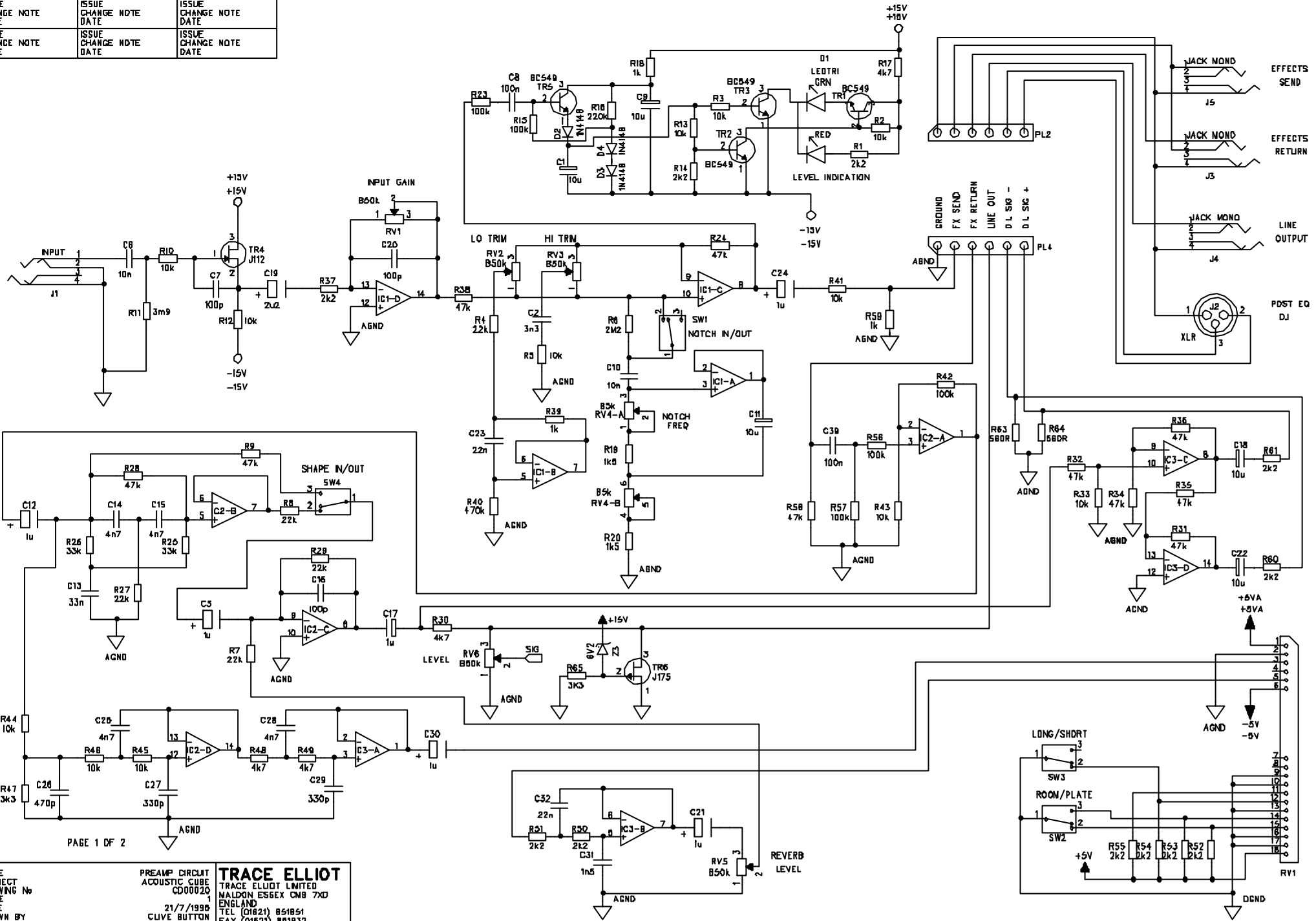
ISSUE 1

Date: October 28, 1996
Product Code : T2110/2115
Model No : Acoustic Cube
Technical File No : TE00006

Issued by:

**Trace Elliot Limited.
Blackwater Trading Estate
The Causeway, Maldon
Essex CM9 4GG.**

ISSUE CHANGE NOTE DATE	ISSUE CHANGE NOTE DATE	ISSUE CHANGE NOTE DATE
ISSUE CHANGE NOTE DATE	ISSUE CHANGE NOTE DATE	ISSUE CHANGE NOTE DATE

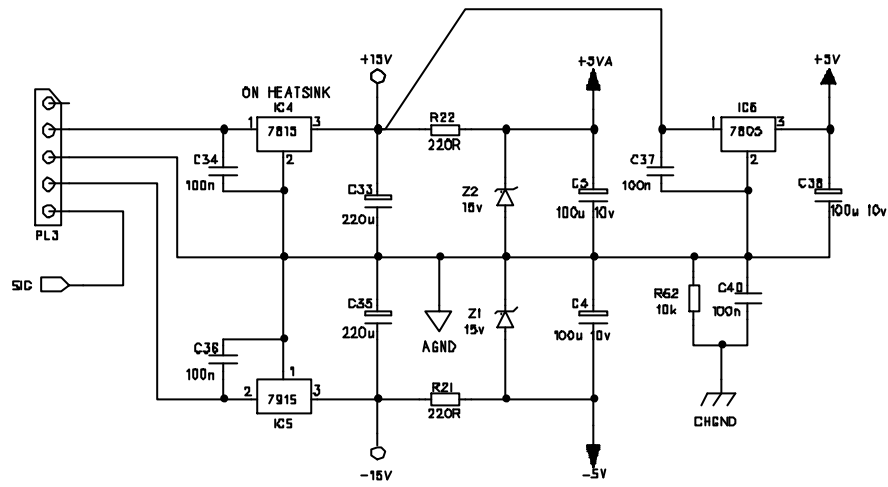


TITLE
PROJECT
DRAWING No
ISSUE
DATE
DRAWN BY

PREAMP CIRCUIT
ACOUSTIC GUBE
C000020
1
21/7/1998
CLIVE BUTTON

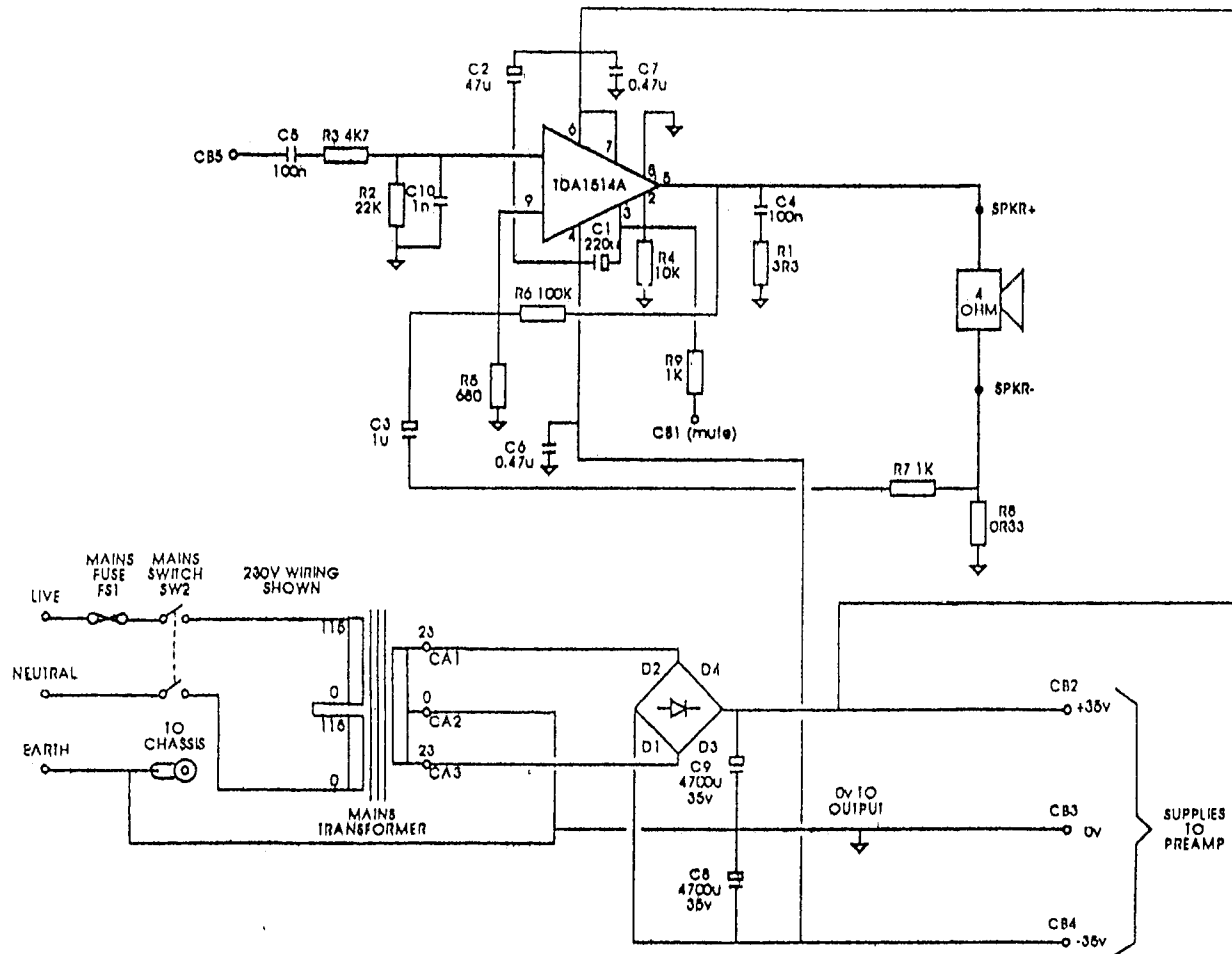
TRACE ELLIOT
TRACE ELLIOT LIMITED
NALDON ESSEX CM8 7XD
ENGLAND
TEL (01621) 851851
FAX (01621) 881932

ISSUE CHANGE NOTE DATE	ISSUE CHANGE NOTE DATE	ISSUE CHANGE NOTE DATE
ISSUE CHANGE NOTE DATE	ISSUE CHANGE NOTE DATE	ISSUE CHANGE NOTE DATE



PAGE 2 OF 2

TITLE	POWER SUPPLY CIRCUIT	TRACE ELLIOT TRACE ELLIOT LIMITED NALDON ESSEX CN8 7XD ENGLAND TEL (01621) 851851 FAX (01621) 881932
PROJECT	ACOUSTIC CUBE	
DRAWING No	CD00020	
ISSUE	1	
DATE	21/7/1998	
DRAWN BY	CLIVE BUTTON	



TRACEELLIOT Ltd
 GALLIFORD ROAD
 MALDON, ESSEX,
 CM9 7XD, ENGLAND

TITLE:- Tramp OUTPUT & PSU
 CIRCUIT DIAGRAM

DRAWN	C.BUTTON	DATE	7.6.94	DRG.No.	Tramp/2
-------	----------	------	--------	---------	---------

