

TRACE ELLIOT

SERVICE MANUAL NO. SM00030

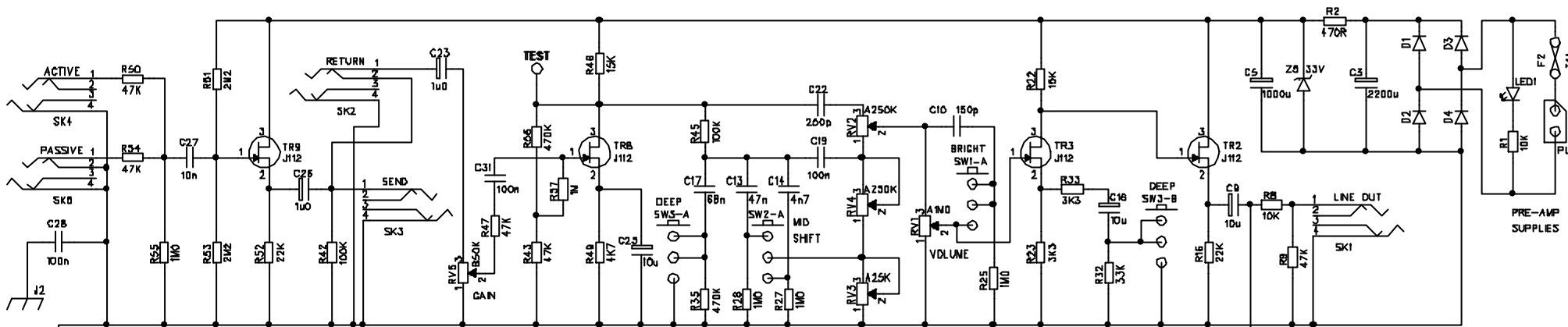
ISSUE 1

Date: February 13, 2001
Product Code : T0152
Model No : Commando MK2
Technical File No : TE00030

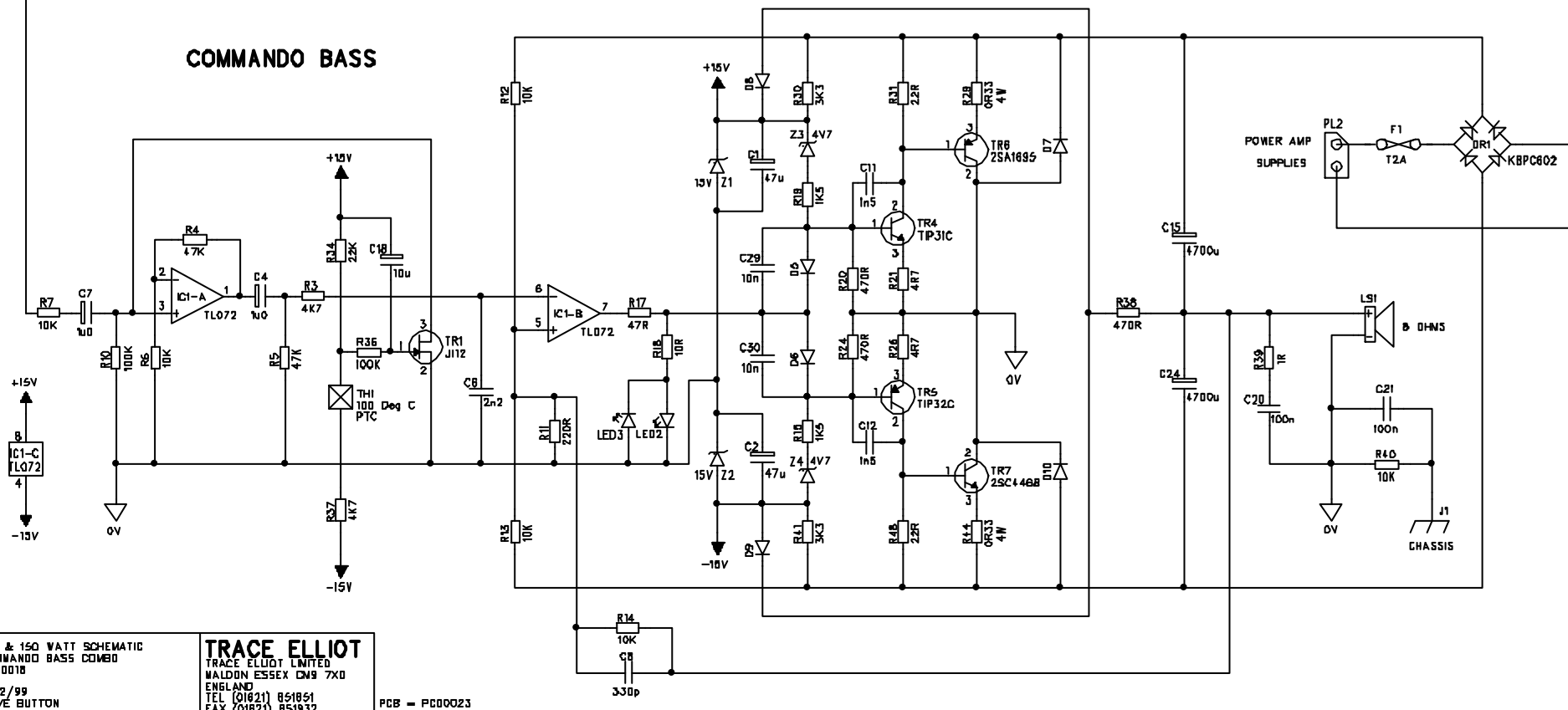
Issued by:

**Trace Elliot Limited.
Blackwater Trading Estate
The Causeway, Maldon
Essex CM9 4GG.**

ISSUE CHANGE DATE	NOTE	2	ISSUE CHANGE DATE	NOTE		ISSUE CHANGE DATE	NOTE	
		8/8/1995						
ISSUE CHANGE DATE	NOTE		ISSUE CHANGE DATE	NOTE		ISSUE CHANGE DATE	NOTE	



COMMANDO BASS



TITLE 100 & 150 WATT SCHEMATIC
 PROJECT COMMANDO BASS COMBO
 DRAWING No C000018
 ISSUE 5
 DATE 8/12/99
 DRAWN BY CLIVE BUTTON

TRACE ELLIOT
 TRACE ELLIOT LIMITED
 WALDEN ESSEX CM9 7XD
 ENGLAND
 TEL (01821) 851851
 FAX (01821) 851932

PCB = PC00023

C12-PCB-PC00137x4

COMMANDO 100 & 150 WATT BASS

Version 4 Andy Ewen 24/7/2000, C32 added

Description of part	Part Code	Qty	Where Used
PCB Issue 2	73-PCB-PC00137	1	
Zero ohm link	72-RCZERO	22	As marked
Res 1/4w 10K	72-RM10K	6	R1 R6 R8 R14 R40 R7
Res 1w 10K	72-RM10K-1WATT	2	R12 R13
Res 1/4w 100K	72-RM100K	4	R10 R36 R42 R45
Res 1w 470R metal film	72-RM470R-1WATT	2	R2 R38
Res 1/4w 22K	72-RM22K	3	R16 R34 R52
Res 1/4w 1K5	72-RM1K5	2	R15 R19
Res 1/4w 3K3	72-RM3K3	2	R23 R33
Res 1w 4K7 metal film	72-RM4K7-1WATT	2	R30 R41
Res 1/4w 1M0	72-RM1M	5	R25 R27 R28 R55 R57
Res 1/4w 33K	72-RM33K	1	R32
Res 1/4w 470K	72-RM470K	2	R35 R56
Res 1/4w 47R	72-RM47R	1	R17
Res 1/4w 470R	72-RM470R	2	R20 R24
Res 1/4w 220R	72-RM220R	1	R11
Res 1/4w 4K7	72-RM4K7	3	R3 R37 R49
Res 1/4w 47K	72-RM47K	7	R4 R5 R9 R43 R47 R50 R54
Res 1/4w 15K	72-RM15K	2	R22 R46
Res 1/4w 2M2	72-RM2M2	2	R51 R53
Res 1/4w 10R	72-RM10R	3	R18 R21 R26
Res 1w 47R metal film	72-RM47R-1WATT	2	R31 R48
Zener diode 15V	72-D-BZX85C15	2	Z1 Z2
Zener diode 4V7	72-D-BZX85C4V7	2	Z3 Z4
Zener diode 33V	72-D-BZX85C33	1	Z5
Transistor TSM2178	72-TSM2178	1	TR4 on 'L' heatsink MD00031xB
Transistor TSM2177	72-TSM2177	1	TR5 on 'L' heatsink MD00031xB
'L' HEATSINKS	G13-HS-LT0220	2	FOR TR4 & TR5
Diode 1N4004	72-D-1N4004	10	D1 --- D10 (D5 & D6 Must be 1N4004 No Substitution)
Cap cer 0.2" 330p	72-C330P-100VCD	1	C8
Cap cer 0.2" 150p	72-C150P-100VCD	2	C10 C32
Cap cer 0.2" 220p	72-220P-100VCD2	1	C22
Cap box poly 100v 2n2	72-C2N2-100VP	1	C6
Cap box poly 100V 1n5	72-C1N5-100VP	2	C11 C12
Cap box poly 100V 4n7	72-C4N7-100VP	1	C14

Cap box poly 100V 47n	72-C47N-100VP	1	C13
Cap box poly 100V 68n	72-C68N-100VP	1	C17
Cap box poly 100V 100n	72-C100N-100VP	2	C19 C31
Cap box poly 100V 10n	72-C10N-100VP	3	C27 C29 C30
Cap box poly 250V 100n	72-C100N-250VP	3	C20 C21 C28
Cap elec 47u 16V	72-C47-16VER	2	C1 C2
Cap elec 1u0 63V	72-C1-63VER	4	C4 C7 C23 C26
Cap elec 10u 16V	72-C10-16VER	3	C16 C25 C18
Cap elec 10u 35v	72-C10-35VER	1	C9
Cap elec 1000u 35V	72-C1000-35VER	1	C5
Cap elec 2200u 35V	72-C2200-35V-R	1	C3
Cap elec 4700u 100V	72-CAP-4700100V	2	C15 C24
JFET J112	72-FET-J-112P	1	TR9
JFET J112	72-FET-J-112	4	TR1 TR2 TR3 TR8
IC TL072	72-IL-TL072	1	IC1
PCB FUSE T1A	72-FUS-1A-PCB	1	F2
PCB FUSE CLIP	72-FUS-HLD-PCB-4	1	F1
20MM FUSE T2A	72-FUS-2AT-20M	1	F1
Jack socket mono gold	73-SKT-JCKBNBG	2	SK2 SK5
Jack socket mono silver	73-SKT-JCKBNBS	3	SK1 SK3 SK4
Res 4w 0R33	72-RWW0R33-4W	2	R29 R44
Res 4w 1R	72-RWW1R-4W	1	R39
Switch FO2UEE	72-SW-F2UEE	3	SW1 SW2 SW3
LED 5mm RED	72-LED-RED	3	LED1 LED2 LED3
Header 2 way 0.1"	72-HEAD-2W	1	PL1
Header 2 way 0.2"	72-HEAD-2W-2	1	PL2
PCB Spade tag 6.3mm	72-CRIMP-PCB-TAB	2	LS1
Pot 16mm A1M0	73-POT-A1M	1	RV1
Pot 16mm A250K	73-POT-A250K	2	RV2 RV4
Pot 16mm A25K	73-POT-A25K	1	RV3
Pot 16mm B50K	73-POT-50KB	1	RV5
Bridge rectifier KBPC602 (mounted on heatsink)	73-BRIDGE-2	1	DR1 fixed using M3
Transistor 2SC4468 (mounted on heatsink)	72-2SC4468	1	TR7 - Fit with Mica washer & Heatsink compound
Transistor 2SA1695 (mounted on heatsink)	72-T2SA1695	1	TR6 - Fit with Mica washer & Heatsink compound
Thermistor 100deg PTC (mounted on heatsink)	72-THERMISTOR-3	1	TH1 fix using M3
Heatsink commando	G13-HS-COMM	1	Fix onto pcb (MD00030)

NOTE – 3K3 1 WATT RESISTOR = NEW PART (PRO1 TYPE) – 72-RM3K3-1WATT

N.B. The 4700uF 63v capacitors may still be used in the 100-watt version if required. C15 & C24