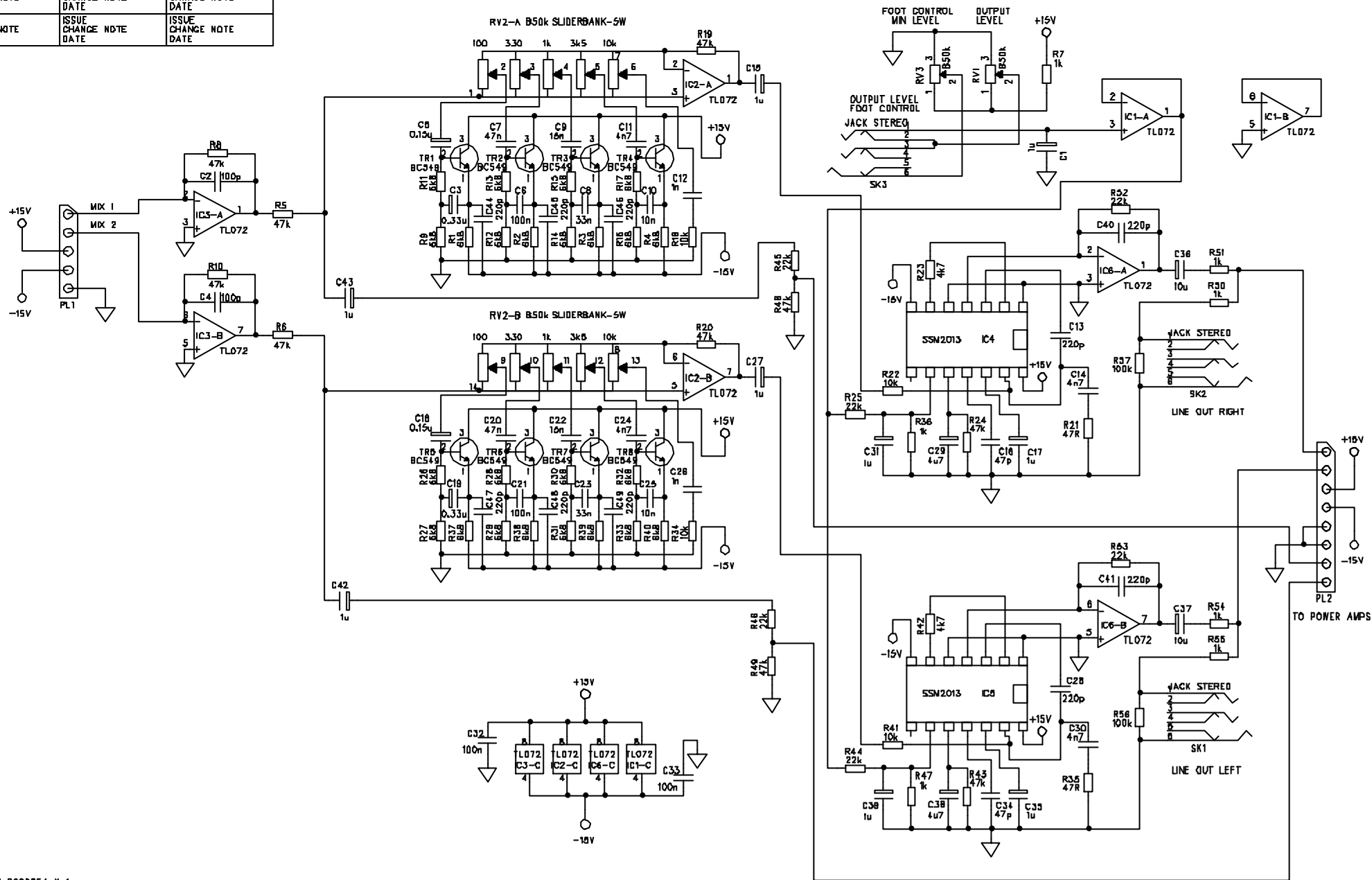
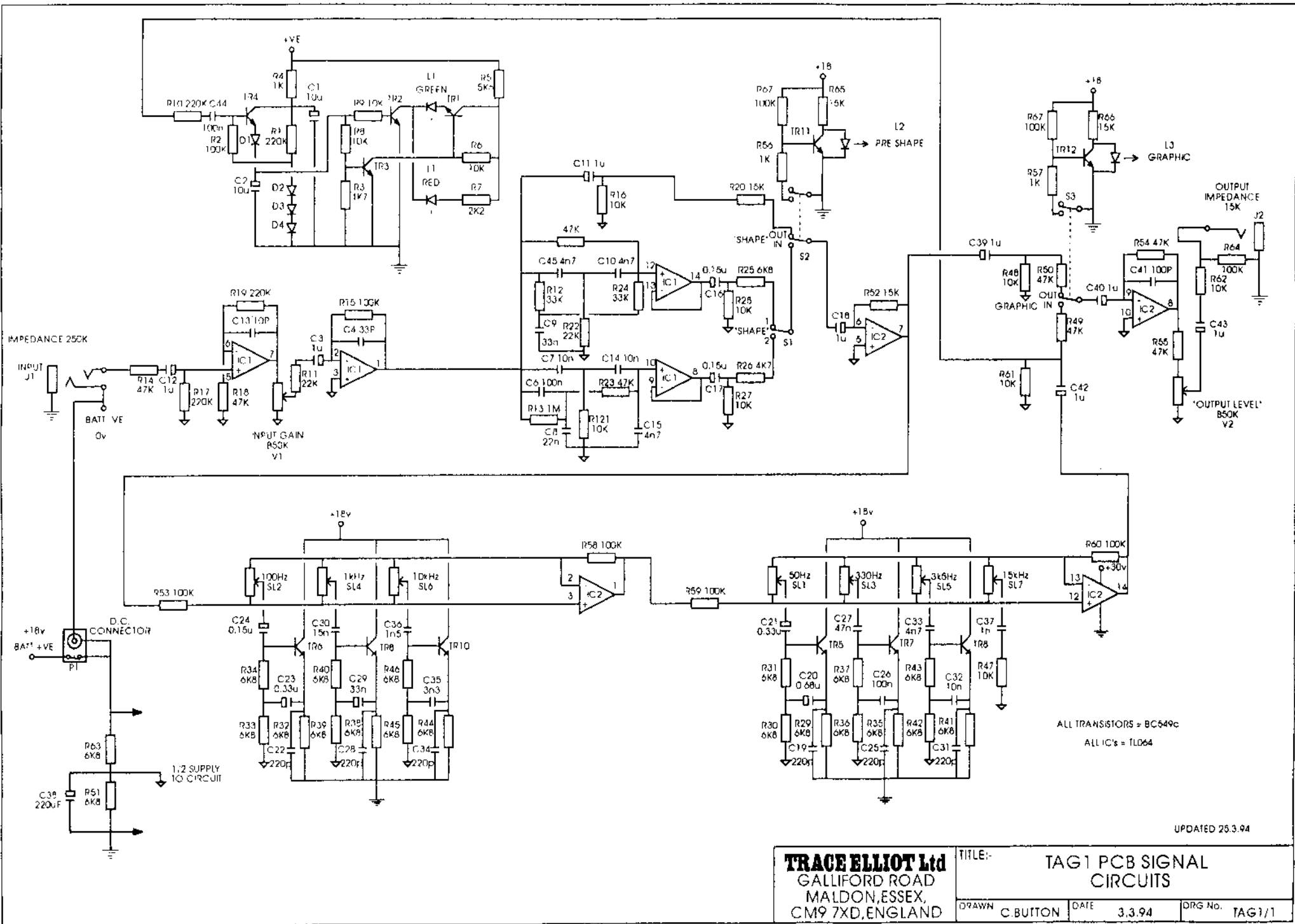


ISSUE CHANGE NOTE DATE	ISSUE CHANGE NOTE DATE	ISSUE CHANGE NOTE DATE
ISSUE CHANGE NOTE DATE	ISSUE CHANGE NOTE DATE	ISSUE CHANGE NOTE DATE



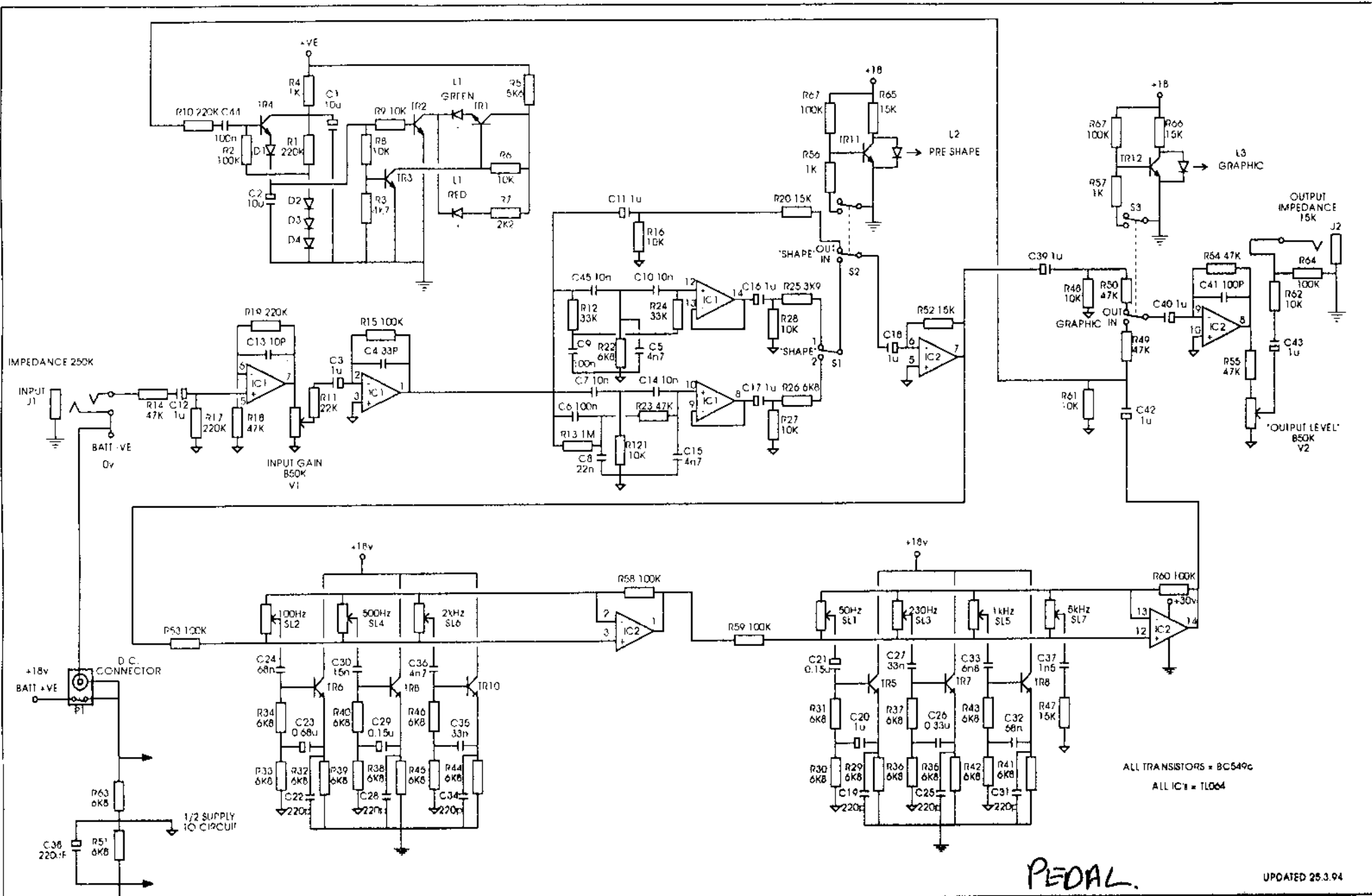
CCT FOR PC00054 X 1
 ADDITIONAL CAPACITORS C44-C49 220pF & TRACK MDD FOR SLIDER OPERATION

TITLE	MASTER BOARD	TRACE ELLIOT LTD BLACKWATER TRADING ESTATE WALTON ESSEX CB8 4SD GREAT BRITAIN TEL (01621) 851851 FAX (01621) 881970
PROJECT	STEREO KEYBOARD COMBO	
DRAWING No	CD00048	
ISSUE	1	
DATE	2/9/97	
DRAWN BY	GLIVE BUTTON	



TRACE ELLIOT Ltd
 GALLIFORD ROAD
 MALDON, ESSEX,
 CM9 7XD, ENGLAND

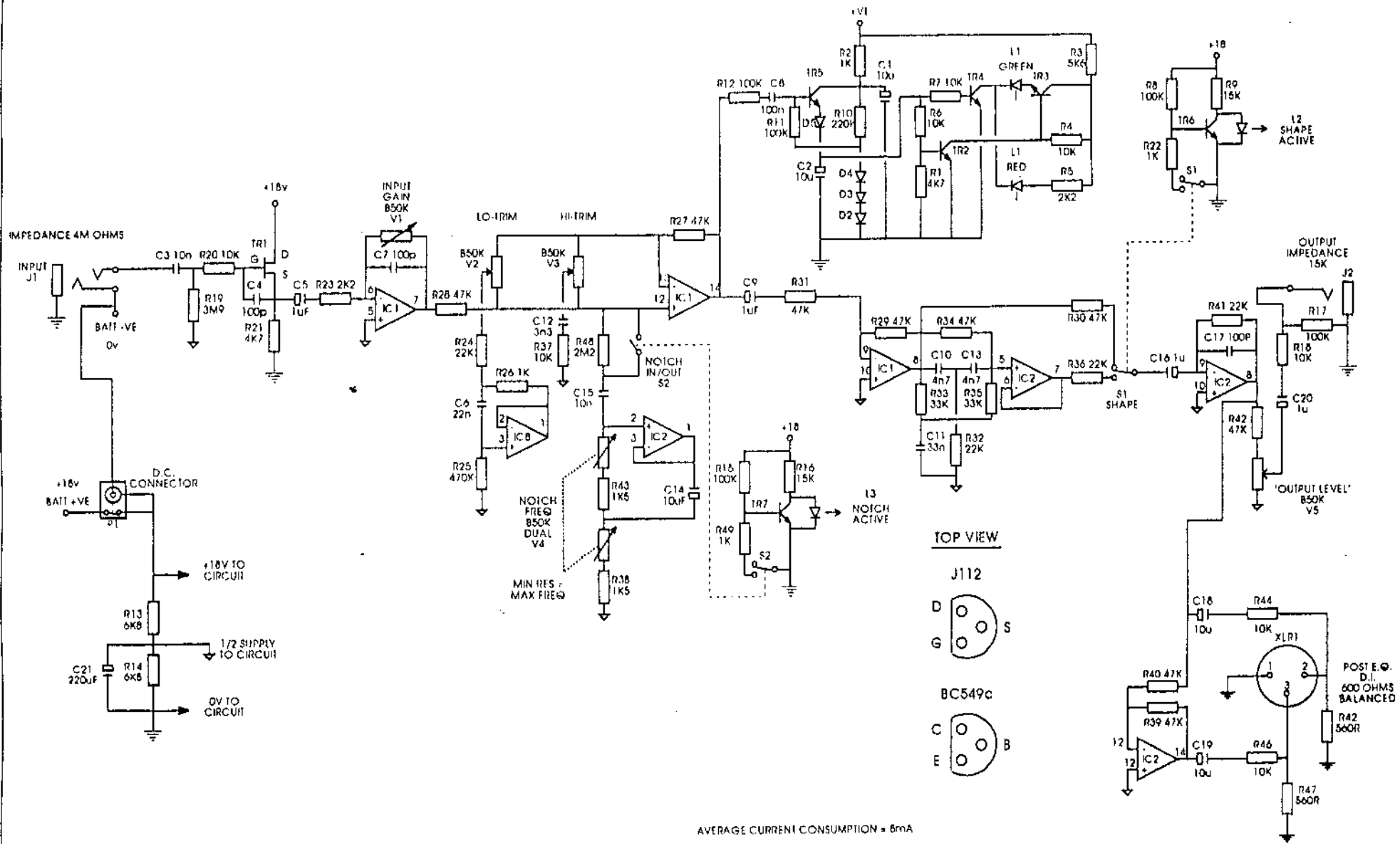
TITLE:-		TAG1 PCB SIGNAL CIRCUITS	
DRAWN	C. BUTTON	DATE	3.3.94
DRG No.	TAG1/1		



PEDAL.

UPDATED 25.3.94

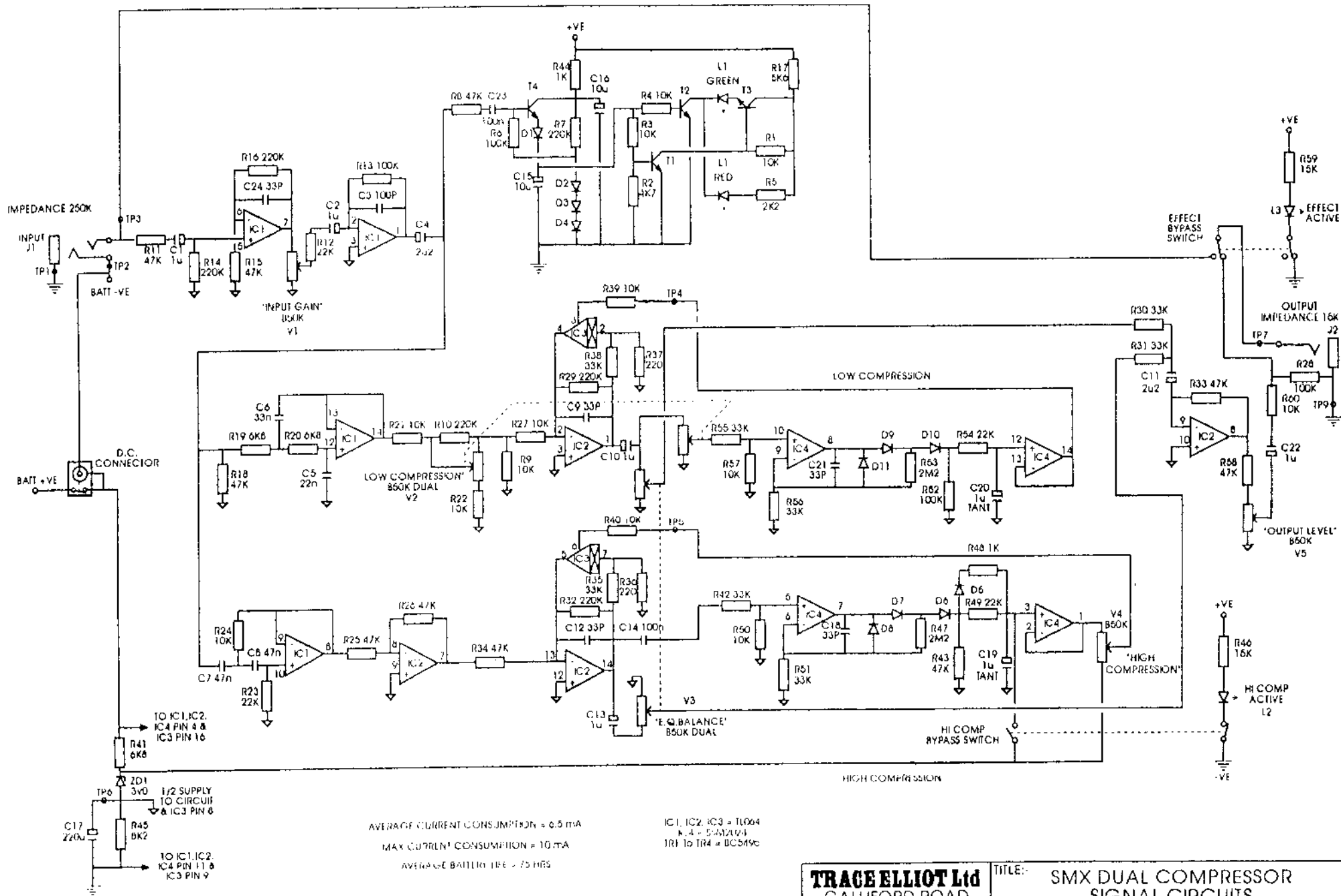
TRACE ELLIOT Ltd GALLIFORD ROAD MALDON, ESSEX, CM9 7XD, ENGLAND		TITLE:- SM7EQ PCB SIGNAL CIRCUITS	
DRAWN	C.BUTTON	DATE	16.2.94
		DRG.No.	SM7EQ/1



AVERAGE CURRENT CONSUMPTION = 8mA

TRACE ELLIOT Ltd
 GALLIFORD ROAD
 MALDON, ESSEX,
 CM9 7XD, ENGLAND

TITLE: TAP1 PREAMP CIRCUIT DIAGRAM	
DRAWN C. BUTTON	DATE 11.3.94
DRG No. TAP1/1	



TRACELLIOT Ltd
 GALLIFORD ROAD
 MALDON, ESSEX,
 CM9 7XD, ENGLAND

TITLE: SMX DUAL COMPRESSOR SIGNAL CIRCUITS	
DRAWN C. BUTON	DATE 18.3.93
DRG. No. SMXDC/1	