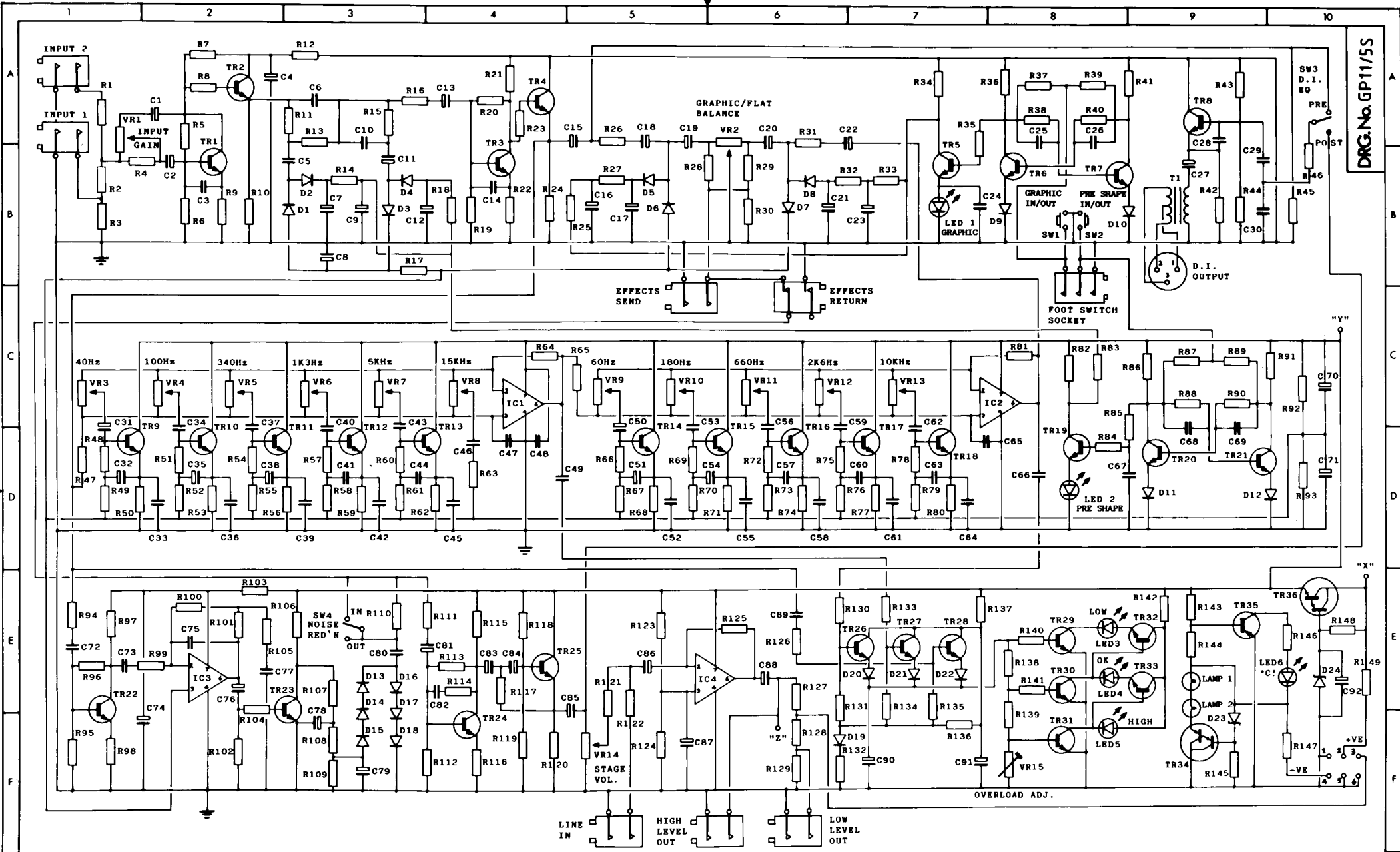


TRACE ELLIOT

SERVICE MANUAL

DATE : December 29, 1999
Product Code: N/A
Model Number : MK V Bass Amplifiers

Issued by:
Trace Elliot Limited
Blackwater Trading Estate
The Causeway
Maldon
Essex
England
CM4 4GG



DRG. No. GP11/55

ISSUE	PCB No	DESCRIPTION
2	GP11F5A	FRONT BOARD
2	GP11B5A	BACK BOARD

UNIT 4&7. 49 BRAINTREE RD.
 WITHAM. ESSEX. CM8 2BZ. ENGLAND.
 TEL: (0376)517237. TELEX:
 FAX: (0376)518527.

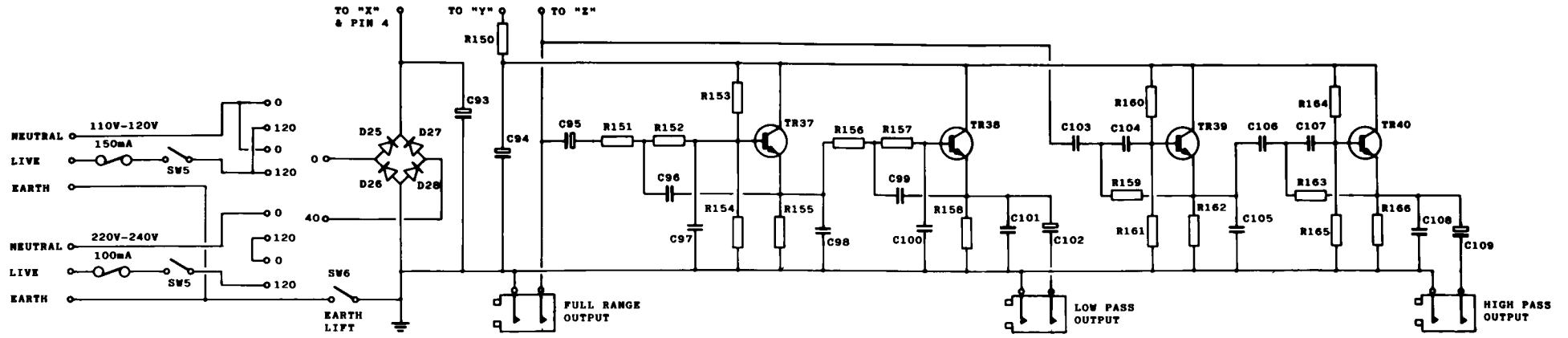


TRACE ELLIOT
 GP11 MK5
 PRE AMPLIFIER

DRAWN	TRACED	CHECKED	APPROVED	DATE
STUART WATSON	RICHARD HOPKINS	MARK GOODAY	FRED FRIEDLEIN	2.12.86

TRACE ELLIOT RESERVE THE RIGHT TO ALTER SPECIFICATIONS WITHOUT NOTICE

DRAWING No. GP11S mk5 SEE DRG. No. GP11/R FOR SELF-POWERED UNIT.



CAPACITORS	
REF. No.	
C1	1.5uF
C2	0.47uF
C3	1000pF
C4	15uF
C5	0.068uF
C6	3300pF
C7	1.5uF
C8	15uF
C9	15uF
C10	6800pF
C11	0.33uF
C12	1.5uF
C13	0.22uF
C14	1000pF
C15	2.2uF
C16	15uF
C17	1.5uF
C18	0.47uF
C19	0.47uF
C20	0.47uF
C21	1.5uF
C22	0.47uF
C23	15uF
C24	0.1uF
C25	0.1uF
C26	0.1uF
C27	15uF
C28	1000pF
C29	0.1uF
C30	3300pF

PARTS LIST FOR GP11/5S & GP11/5R			
STARRED ITEMS NOT FITTED TO GP11/5R MODEL			
C31	0.47uF	C61	220p
C32	2.2uF	C62	1000p
C33	220pF	C63	0.01uF
C34	0.1uF	C64	220pF
C35	1uF	C65	47pF
C36	220pF	C66	0.1uF
C37	0.033uF	C67	0.1uF
C38	0.33uF	C68	0.1uF
C39	220pF	C69	0.1uF
C40	7270pF	C70	1000uF
C41	0.1uF	C71	220uF
C42	220pF	C72	0.047uF
C43	2200pF	C73	0.1uF
C44	0.022uF	C74	15uF
C45	220pF	C75	47pF
C46	680pF	C76	15uF
C47	47pF	C77	1000pF
C48	0.1uF	C78	15uF
C49	0.1uF	C79	1.5uF
C50	0.22uF	C80	0.047uF
C51	1.5uF	C81	0.47uF
C52	220pF	C82	1000pF
C53	0.057uF	C83	0.22uF
C54	0.57uF	C84	0.22uF
C55	220p	C85	2.2uF
C56	0.015uF	C86	0.47uF
C57	0.22uF	C87	1.5uF
C58	220p	C88	1.5uF
C59	3300p	C89	0.1uF
C60	0.0377uF	C90	15uF

MISCELLANEOUS	
REF. No.	
TRANSISTORS	
TR1-TR33	BC549C
*TR34	BD677
*TR35	BC212L
TR36	BD677
TR37-TR40	BC549C
DIODES	
D1-D22	1N4148
*D23	BZY88C27
D24	BZY88C33
D25-D28	1N4002
POTS SLIDERS PRESETS	
VR1	500K LN
VR2-VR13	100K LN
VR14	50K LN
VR15	10K PRESET
IC.S	
IC1-IC4	TL071
(IC4 GP11/5R CA3140E)	
TRANSFORMERS	
T1	D.I. TRANSFORMER
T2	240/120V TO 40V TRANSFORMER
SWITCHES	
SW1-SW2	SPST MOMENTARY ACTION
SW3-SW4	SPDT MINIATURE TOGGLE
SW5	SPST 3A. 240V ROCKER
SW6	DPDT SLIDE ACTION

RESISTORS	
REF. No.	
R1	6K8
R2	6K8
R3	1M
R4	220K
R5	1M
R6	100K
R7	27K
R8	6K8
R9	560R
R10	6K8
R11	33K
R12	1K5
R13	33K
R14	56K
R15	56K
R16	15K
R17	15K
R18	56K
R19	180K
R20	1M
R21	15K
R22	1K5
R23	6K8
R24	3K3
R25	33K
R26	56K
R27	33K
R28	33K
R29	33K
R30	10K

R31	56K
R32	33K
R33	33K
R34	4K7
R35	100K
R36	27K
R37	15K
R38	100K
R39	15K
R40	100K
R41	27K
R42	15K
R43	180K
R44	180K
R45	100K
R46	100K
R47	100K
R48	4K7
R49	4K7
R50	4K7
R51	4K7
R52	4K7
R53	4K7
R54	4K7
R55	4K7
R56	4K7
R57	4K7
R58	4K7
R59	4K7
R60	4K7
R61	4K7
R62	4K7
R63	10K
R64	100K
R65	100K

R66	4K7
R67	4K7
R68	4K7
R69	4K7
R70	4K7
R71	4K7
R72	4K7
R73	4K7
R74	4K7
R75	4K7
R76	4K7
R77	4K7
R78	4K7
R79	4K7
R80	4K7
R81	100K
R82	4K7
R83	56K
R84	56K
R85	56K
R86	27K
R87	15K
R88	100K
R89	15K
R90	100K
R91	27K
R92	3K3
R93	3K3
R94	180K
R95	100K
R96	1M
R97	27K
R98	560R
R99	56K
R100	560K

R101	560K
R102	56K
R103	560R
R104	6K8
R105	6K8
R106	180K
R107	560R
R108	33K
R109	68K
R110	1M
R111	6K8
R112	100K
R113	1M
R114	220K
R115	15K
R116	560R
R117	10K
R118	180K
R119	180K
R120	6K8
R121	22K
R122	33K
R123	100K
R124	100K
R125	33K
R126	56K
R127	1K5
R128	4K7
R129	220R
R130	56K
R131	100K
R132	6K8
R133	56K
R134	100K
R135	100K

R136	220K
R137	560R
R138	6K8
R139	4K7
R140	15K
R142	1K5
*R143	1K5
*R144	100K
*R145	15K
*R146	4K7
*R147	220R 4W
R148	15K
*R149	220R 4W
R150	220R
R151	6K8
R152	6K8
R153	100K
R154	100K
R155	6K8
R156	12K
R157	12K
R158	3K3
R159	12K
R160	27K
R161	27K
R162	6K8
R163	27K
R164	56K
R165	56K
R166	3K3
RESISTORS	
*W UNLESS	
STATED	

ISSUE	PCB No	DESCRIPTION
2	GP11X0	CROSSOVER

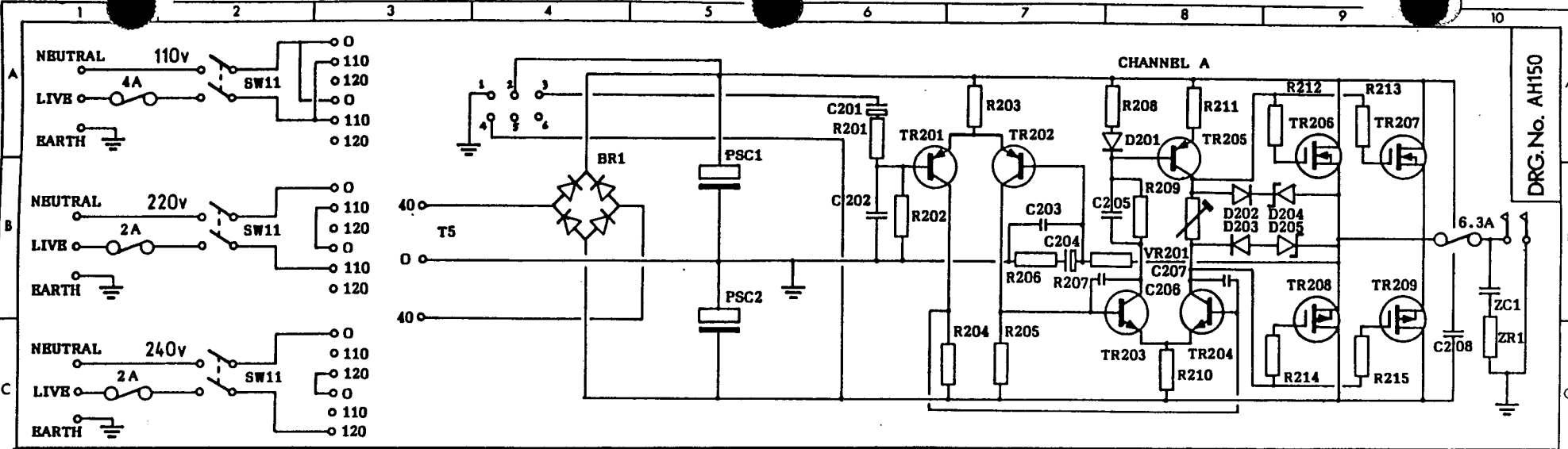
UNIT 4&7. 49 BRAINTREE RD.
 WITHAM. ESSEX. CM8 2BZ. ENGLAND.
 TEL: (0376)517237.
 FAX: (0376)518527.

TRACE ELLIOT
 GP11 MK5
 RACK MOUNTING
 PRE AMPLIFIER

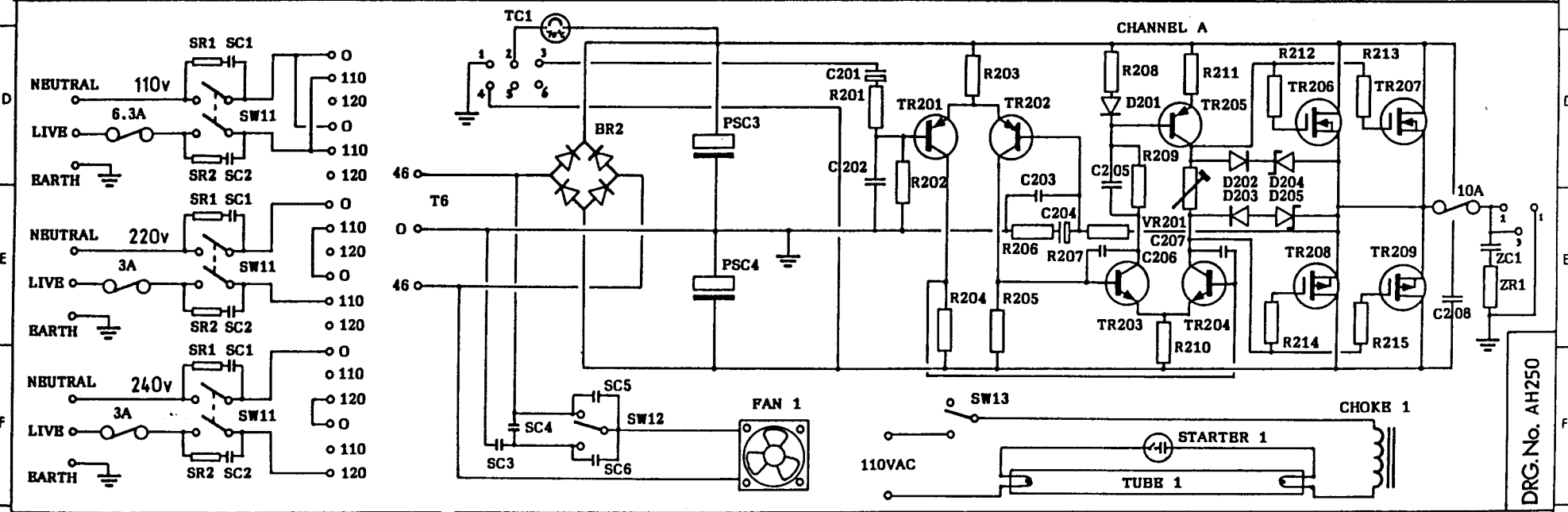
TRACE ELLIOT RESERVE THE RIGHT TO
 ALTER SPECIFICATIONS WITHOUT NOTICE

DRAWN	TRACED	CHECKED	APPROVED	DATE
STUART WATSON	RICHARD HOPKINS	MARK GOODAY	FRED FRIEDLEIN	2.12.86

DRAWING No. GP11R mk5
 ADDITIONAL CIRCUITRY FOR SELF-POWERED UNIT.



DRG.No. AH150



DRG.No. AH250

ISSUE	PCB	DESCRIPTION
4	MPB2	PM4S CHANNEL A

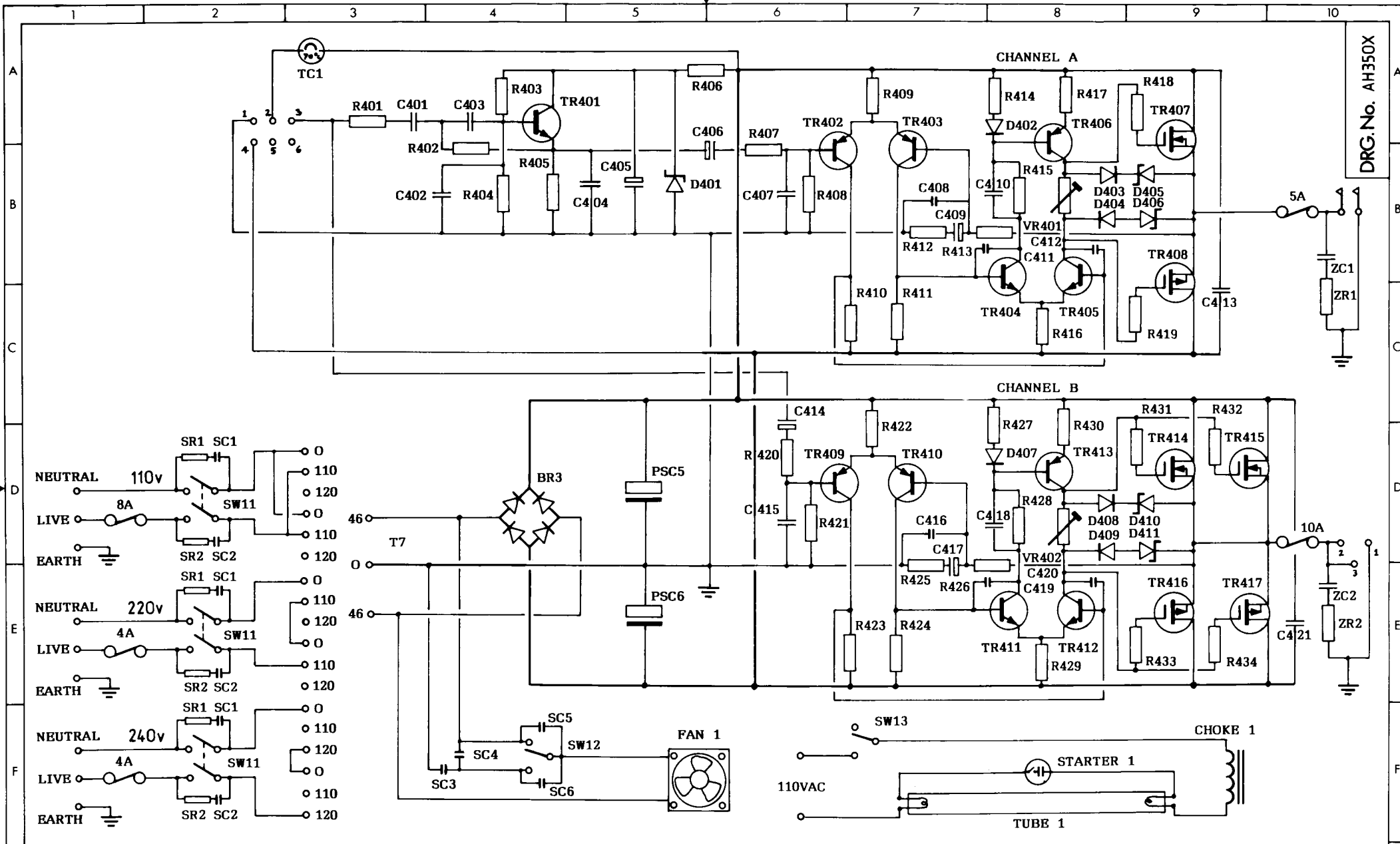
UNIT 447, 49 BRAINTREE RD.
 WITHAM, ESSEX, CM8 2BZ, ENGLAND.
 TEL: (0376)517237. TELEX:
 FAX: (0376)518527.

TRACE ELLIOT
 AH150 & AH250 BASS
 AMPLIFIER POWER
 SECTION ONLY.

TRACE ELLIOT RESERVE THE RIGHT TO
 ALTER SPECIFICATIONS WITHOUT NOTICE

DRAWN	TRACED	CHECKED	APPROVED	DATE
STUART WATSON	RICHARD HOPKINS	MARK GOODAY	FRID FRIEDLEIN	2.12.86

DRAWING No. AH150 & AH250 mky



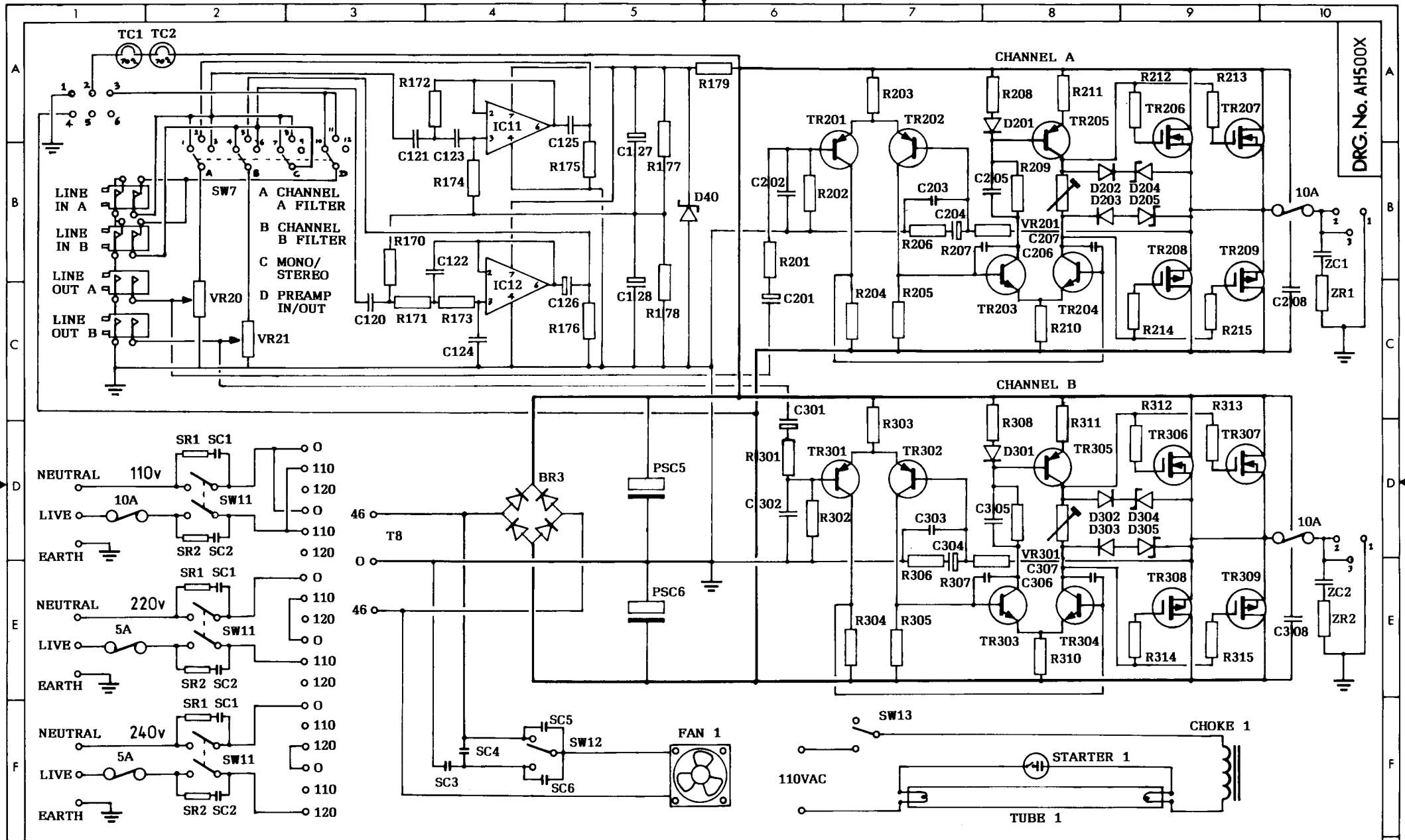
ISSUE	PCB	DESCRIPTION
2	MPB3	PM6S CHANNEL A & B

UNIT 4&7. 49 BRAINTREE RD.
 WITHAM. ESSEX. CM8 2BZ. ENGLAND.
 TEL: (0376) 517237. TELEX.
 FAX: (0376) 518527.

TRACE ELLIOT
 AH350X BASS
 AMPLIFIER POWER
 SECTION ONLY.

TRACE ELLIOT RESERVE THE RIGHT TO
 ALTER SPECIFICATIONS WITHOUT NOTICE

DRAWN	TRACED	CHECKED	APPROVED	DATE
STUART WATSON	RICHARD HOPKINS	MARK GOODYAY	FRED FRIEDLEIN	2.12.86
DRAWING No. AH350X mkv				



DRG. No. AH500X

ISSUE	PCB	DESCRIPTION
2	AH500XO	CROSSOVER & I/P SWITCHING
4	MPB2	PM4S CHANNEL A
4	MPB2	PM4X CHANNEL B

UNIT 4&7. 49 BRAINTREE RD.
 WITHAM. ESSEX. CM8 2BZ. ENGLAND.
 TEL: (0376) 517237. TELEX:
 FAX: (0376) 518527.



TRACE ELLIOT
 AH500X BASS
 AMPLIFIER POWER
 SECTION ONLY.

DRAWN	TRACED	CHECKED	APPROVED	DATE
STUART WATSON	RICHARD HOPKINS	MARK GOODAY	FRED FRIEDLEIN	2.12.86

DRAWING No. AH500X mky

TRACE ELLIOT RESERVE THE RIGHT TO ALTER SPECIFICATIONS WITHOUT NOTICE

