

TRACE ELLIOT

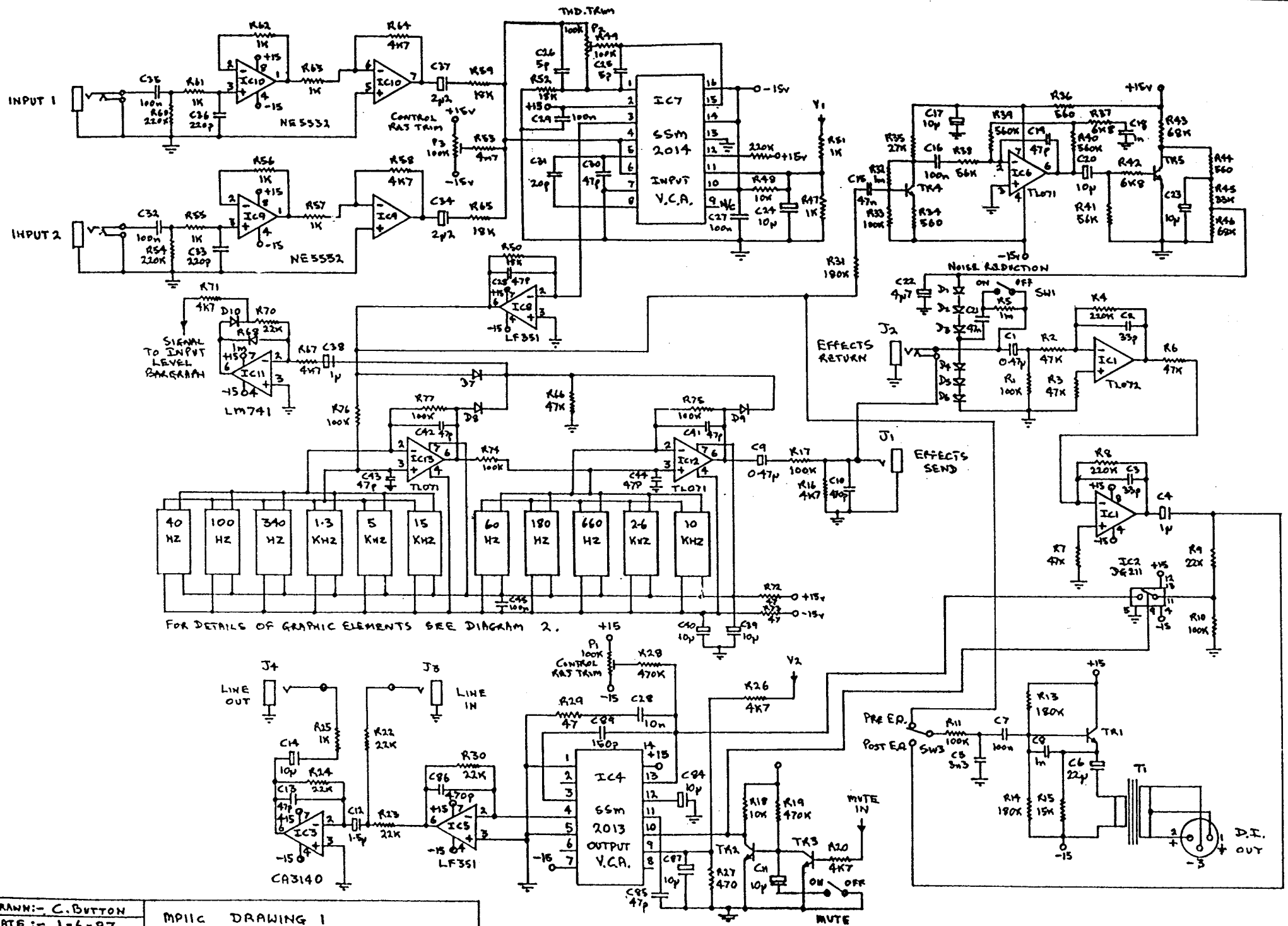
SERVICE MANUAL

DATE : December 29, 1999

Product Code: N/A

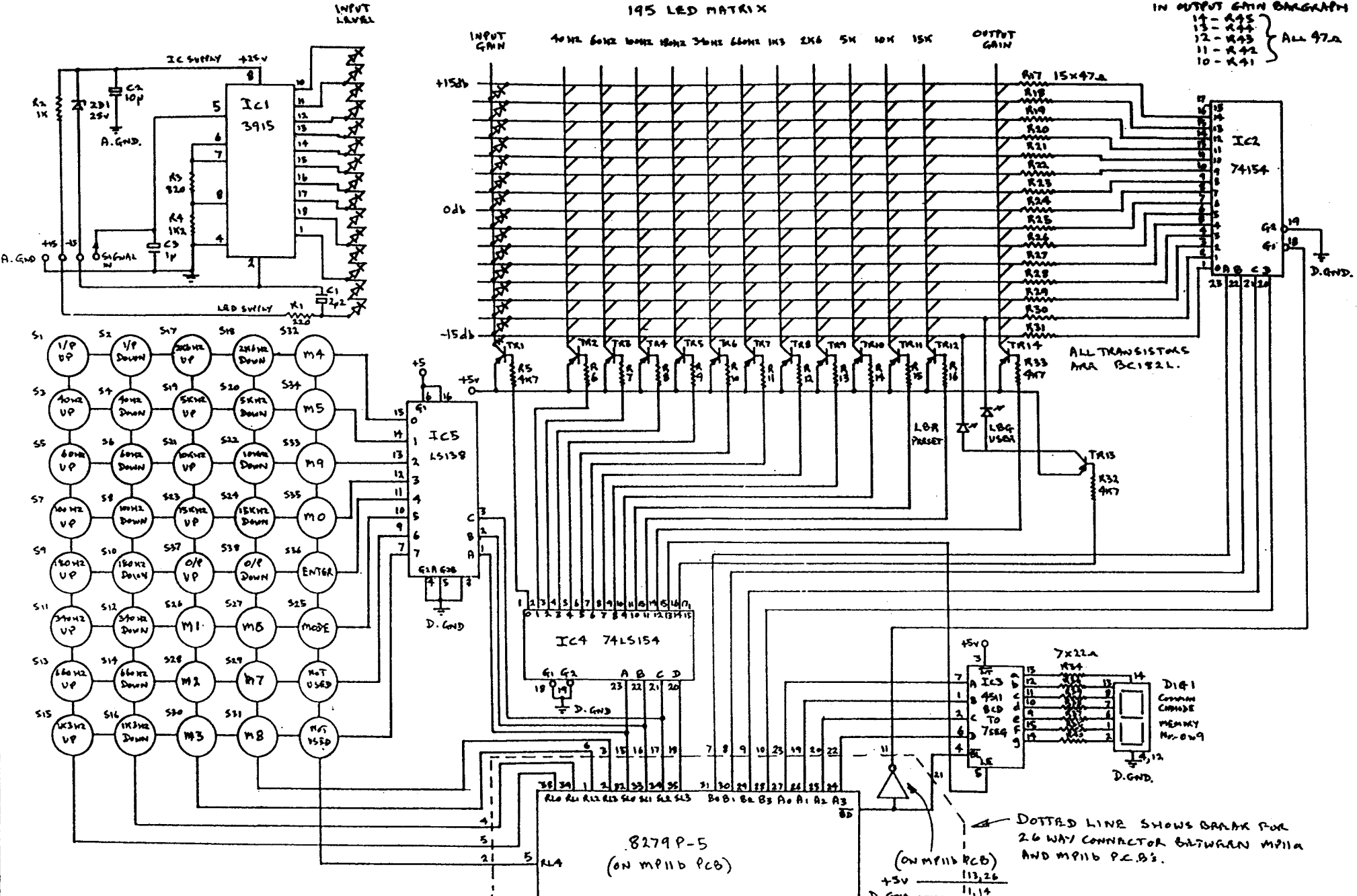
Model Number : MP11 pre-amp

Issued by:
Trace Elliot Limited
Blackwater Trading Estate
The Causeway
Maldon
Essex
England
CM4 4GG



195 LED MATRIX

RESISTORS TO TOP 5 LADS
IN OUTPUT GAIN DIAGRAM
17 - R45
13 - R44
12 - R43
11 - R42
10 - R41 } All 97Ω



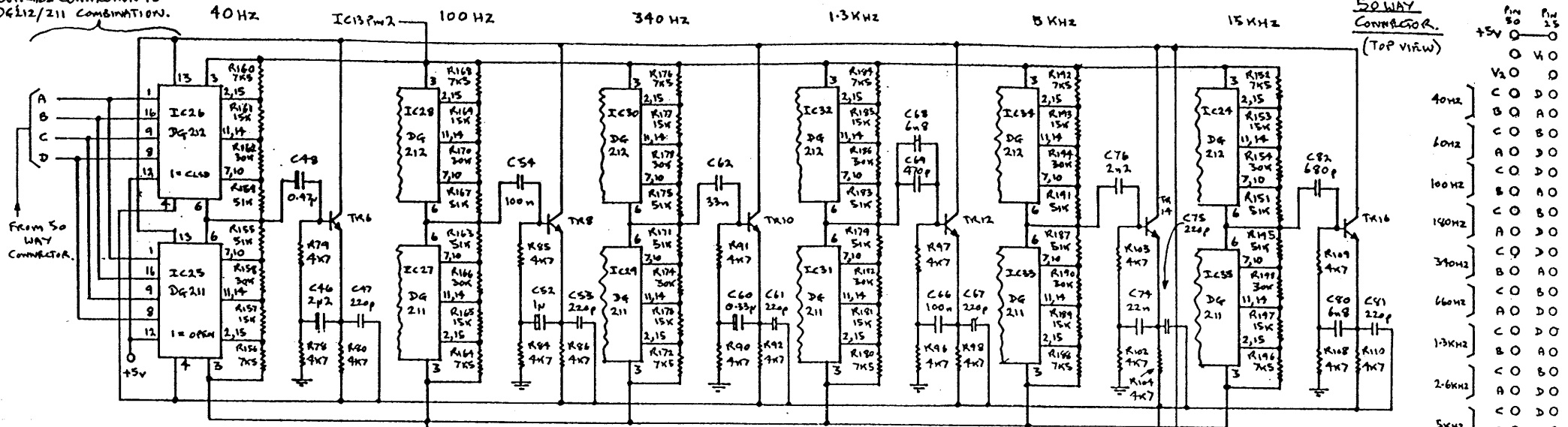
DRAWN - C BUTTON
DATE - 23-7-87
MP11a P.C.B.

DOTTED LINE SHOWS GARRK FOR
2.6 WAY CONNECTOR BETWEEN MP11a
AND MP11b P.C.B's.

(ON MP11b PCB)
+5V 113, 26
D.GND 11, 14
BULB 125
SUPPLY 24

8279P-5
(ON MP11b PCB)

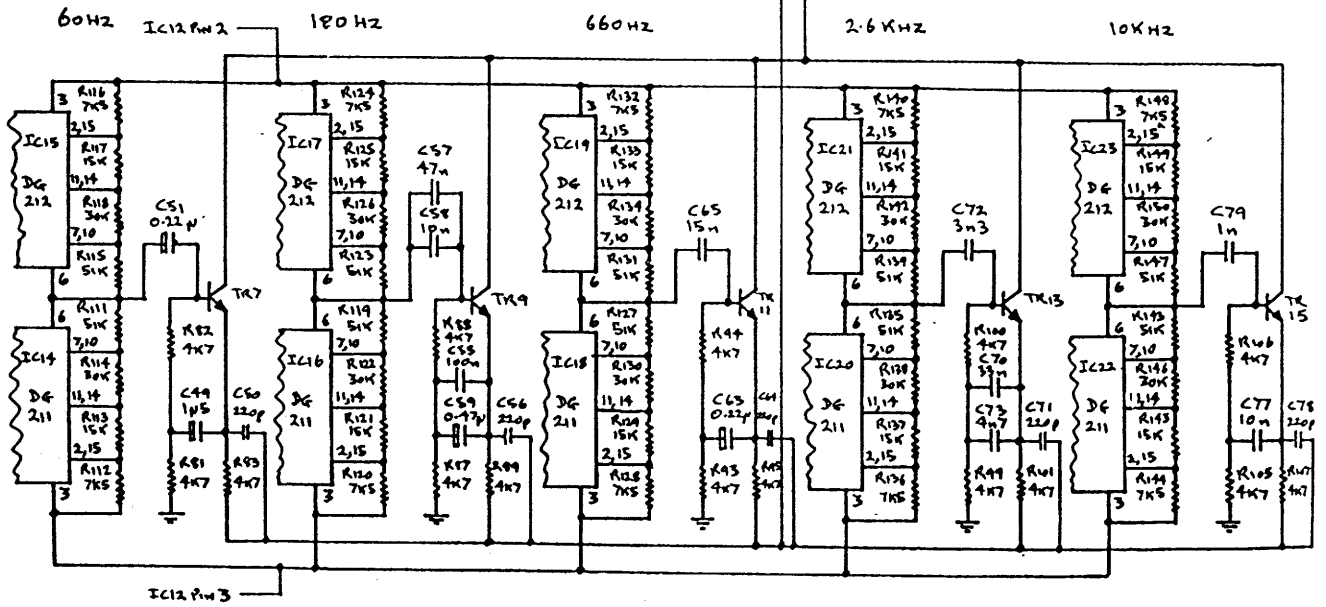
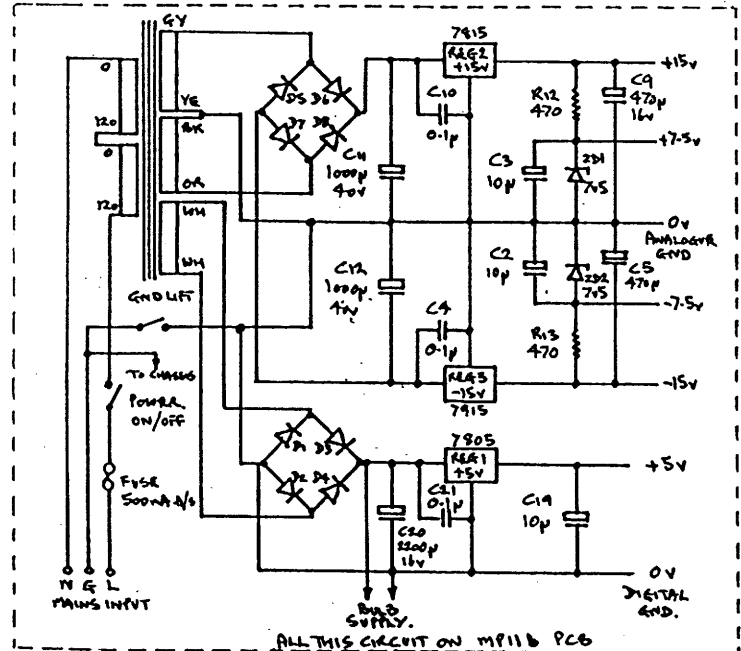
TYPICAL INPUT AND SUPPLIES CONNECTION TO D612/211 COMBINATION.



- SX4
- 4 0 +15v
 - 3 0 GND
 - 2 0 -15v
 - 1 0 PWR

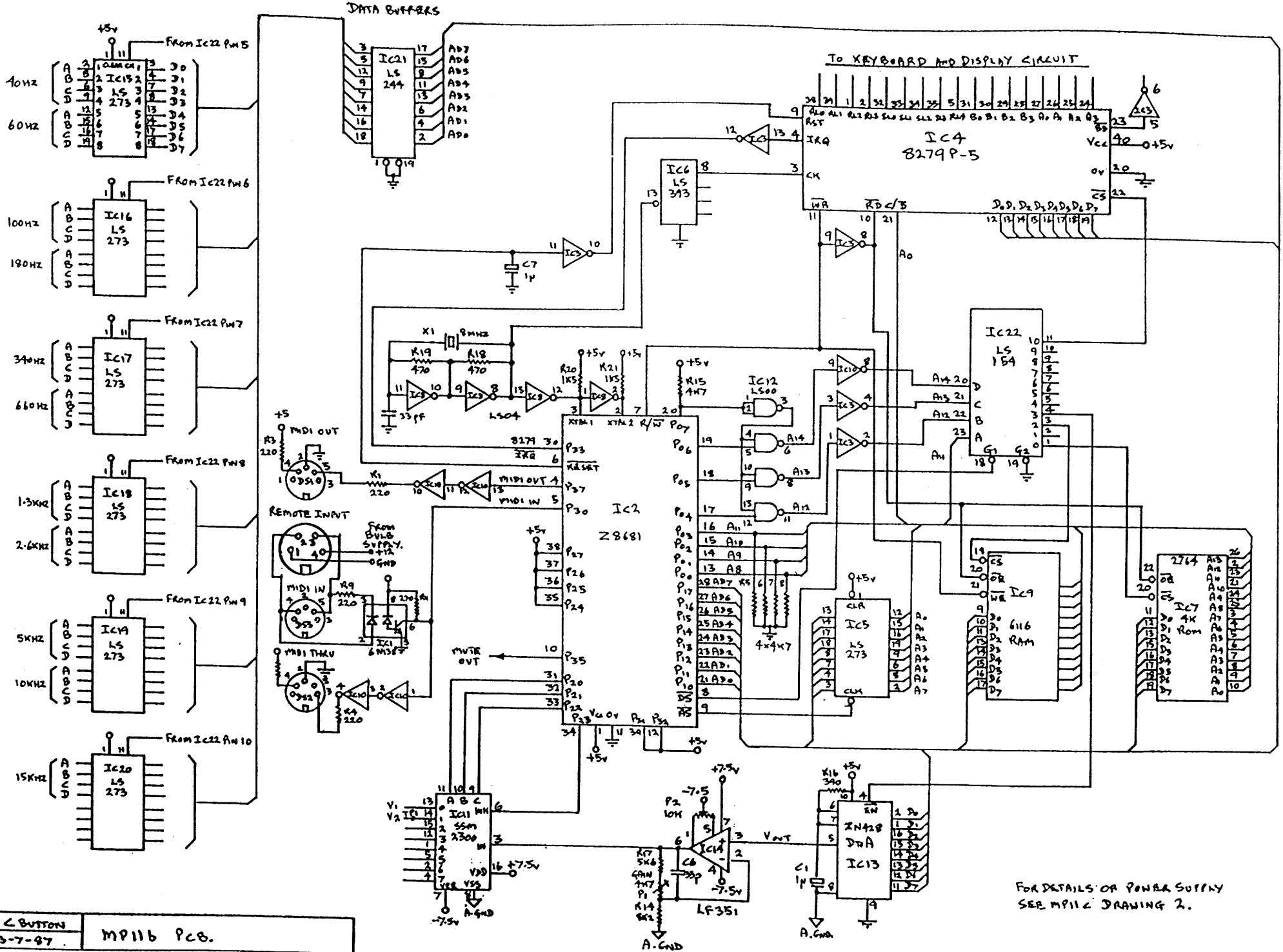
ALL TRANSISTORS BC549C

+14v From R72
-14v From R73



DRAWN: C. BUTTON.
DATE: 22-7-87

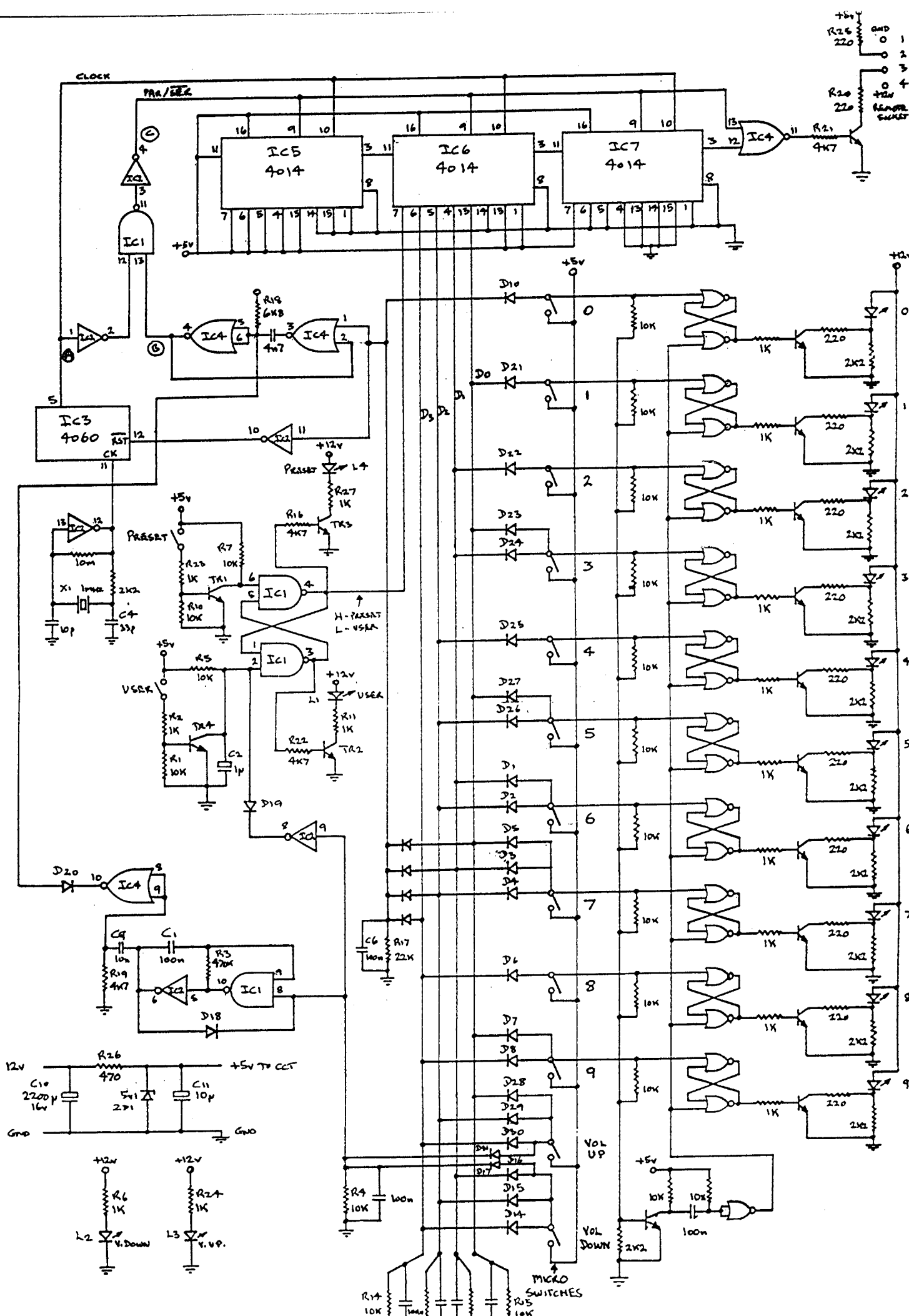
MP11C DRAWING 2



DRAWN: - C BUTTON
 DATE: 23-7-87

MP116 PCB.

FOR DETAILS OF POWER SUPPLY
 SEE MP112 DRAWING 2.



DRAWN: C. BUTTON.

DATE: - 27-7-87

MP11 FOOTSWITCH