

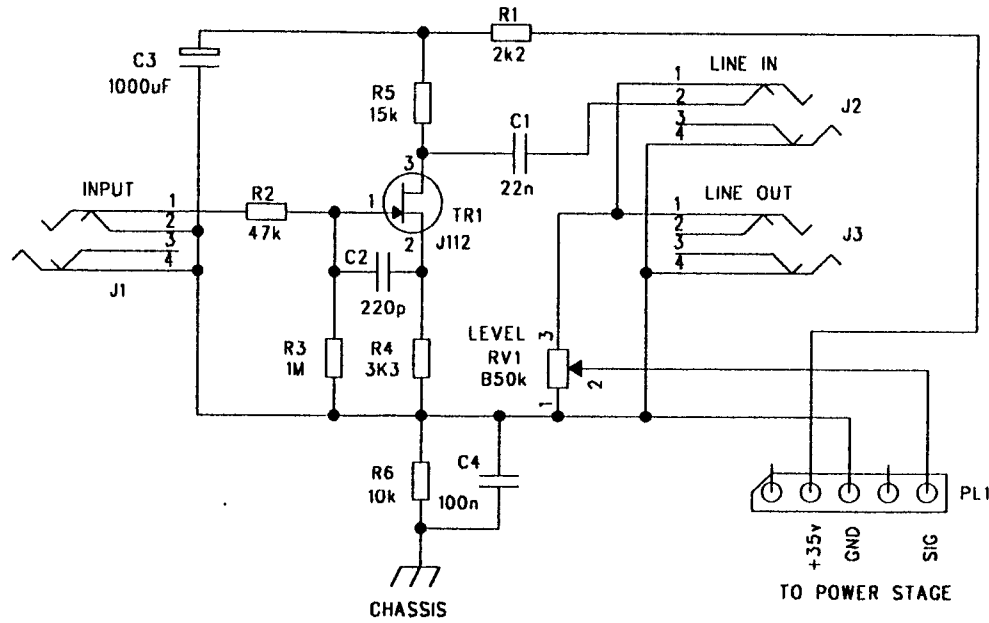
TRACE ELLIOT

SERVICE MANUAL

DATE : December 29, 1999
Product Code: T2115
Model Number : POWER CUBE

Issued by:
Trace Elliot Limited
Blackwater Trading Estate
The Causeway
Maldon
Essex
England
CM4 4GG

ISSUE CHANGE NOTE DATE	ISSUE CHANGE NOTE DATE	ISSUE CHANGE NOTE DATE
ISSUE CHANGE NOTE DATE	ISSUE CHANGE NOTE DATE	ISSUE CHANGE NOTE DATE



TITLE
PROJECT
DRAWING No
ISSUE
DATE
DRAWN BY

POWER CUBE PREAMP
CD00021
1
27/3/95
CLIVE BUTTON

TRACE ELLIOT
TRACE ELLIOT LIMITED
MALDON ESSEX CM9 7GG
ENGLAND
TEL (01621) 855266
FAX (01621) 851975

PARTS LIST FOR PC00025 POWER CUBE

Description	Part Code	Qty	Where Used
res 1/4w 2K2	72-RM2K2	1	R1
res 1/4w 3K3	72-RM3K3	1	R4
res 1/4w 10K	72-RM10K	1	R6
res 1/4w 15K	72-RM15K	1	R5
res 1/4w 47K	72-RM47K	1	R2
res 1/4w 1M0	72-RM1M	1	R3
cap 220p 0.2" 100VCD	72-C220P-100VCD	1	C2
cap 100n 100V poly box	72-C100N-100VP	1	C4
cap 22n 100V poly box	72-C22N-100VP	1	C1
cap 1000u 35V radial elec	72-C1000-35VER	1	C3
PCB BNB jack socket	73-SKT-JCKBNBG	3	J1 J2 J3
5 way header 0.1"	72-HEAD-5W-2	1	PL1
transistor J112	72-FET-J-112	1	TR1
POT 12mm B50K	73-POT-B50K-12MM	1	RV1
PCB Power Cube	73-PCB-PC00025	1	

12 February, 1997

