

TRACE ELLIOT

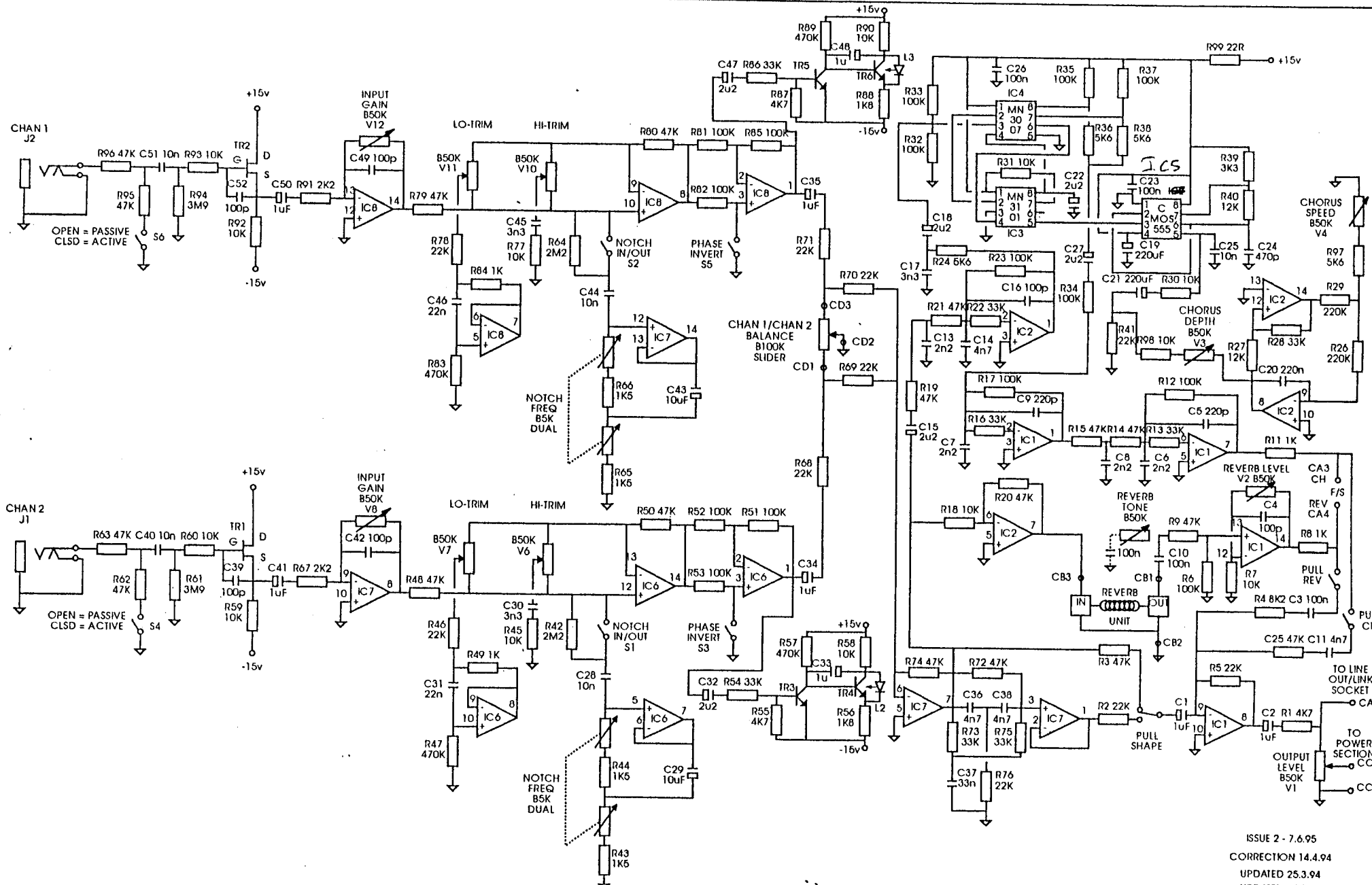
SERVICE MANUAL NO. SM00009

ISSUE 1

Date: October 28, 1996
Product Code : T2235
Model No : TA60 CR
Technical File No : TE00009

Issued by:

**Trace Elliot Limited.
Blackwater Trading Estate
The Causeway, Maldon
Essex CM9 4GG.**



ISSUE 2 - 7.6.95
 CORRECTION 14.4.94
 UPDATED 25.3.94
 UPDATED 14.1.94

TRACE ELLIOT Ltd GALLIFORD ROAD MALDON, ESSEX, CM9 7XD, ENGLAND	TITLE:- TA35 PREAMP CIRCUIT DIAGRAM	
	DRAWN C. BUTTON	DATE 15.12.93

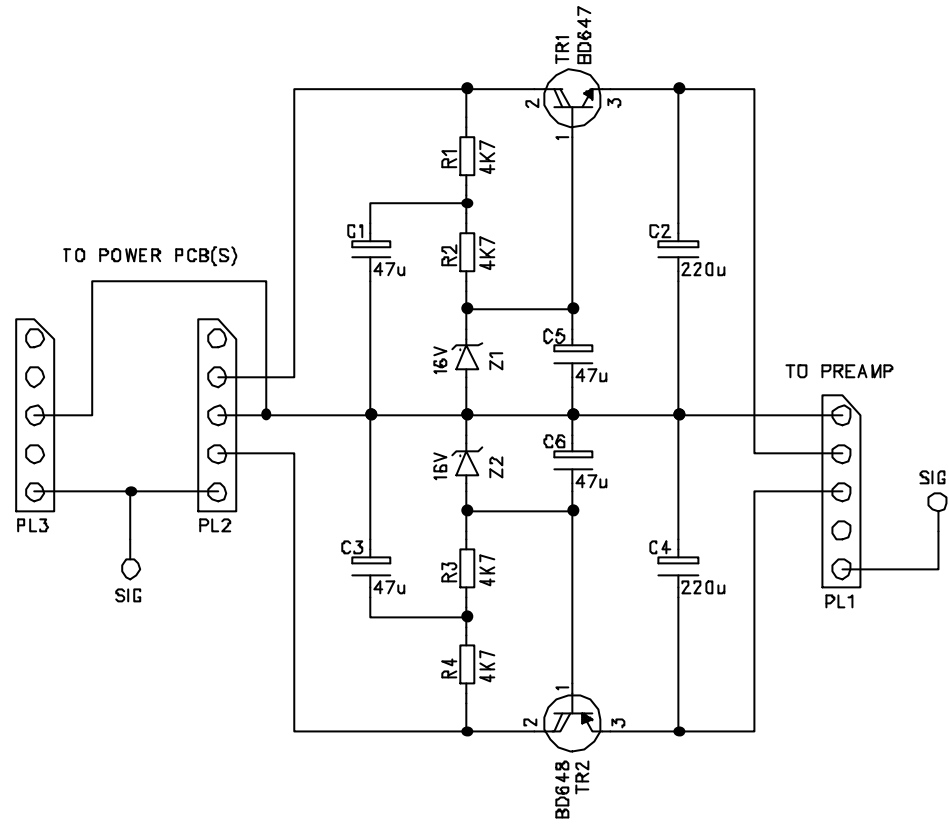
PARTS LIST FOR TA35CR PRE-AMP

Description	Part Code	Qty	Where Used
RESISTORS			
ZERO OHM LINK	72-RCZERO	32	
100K ¼ WATT	72-RM100K	16	R6 R12 R17 R20 R23 R32-35 R37 R51-53 R81 R82 R85
10K ¼ WATT	72-RM10K	13	R7 R18 R30 R31 R45 R58-60 R77 R90 R92 R93 R98
12K ¼ WATT	72-RM12K	2	R27 R40
1K ¼ WATT	72-RM1K	5	R1 R8 R11 R49 R84
1K5 ¼ WATT	72-RM1K5	4	R43 R44 R65 R66
1K8 ¼ WATT	72-RM1K8	2	R56 R88
220K ¼ WATT	72-RM220K	2	R26 R29
22K ¼ WATT	72-RM22K	10	R2 R5 R41 R46 R68-71 R76 R78
22R ¼ WATT	72-RM22R	1	R99
2K2 ¼ WATT	72-RM2K2	2	R67 R91
2M2 ¼ WATT	72-RM2M2	2	R42 R64
33K ¼ WATT	72-RM33K	8	R13 R16 R22 R28 R54 R73 R75 R86
3K3 ¼ WATT	72-RM3K3	1	R39
3M9 ¼ WATT	72-RM3M9	2	R61 R94
470K ¼ WATT	72-RM470K	4	R47 R57 R83 R89
47K ¼ WATT	72-RM47K	17	R3 R9 R14 R15 R19 R21 R25 R48 R50 R62 R63 R72 R74 R79 R80 R95 R96
4K7 ¼ WATT	72-RM4K7	3	R10 R55 R87
5K6 ¼ WATT	72-RM5K6	4	R24 R36 R38 R97
8K2 ¼ WATT	72-RM8K2	1	R4
CAPACITORS			
1µF 35V TANT	72-C1-35VT	8	C1 C2 C33 C34 C35 C41 C48 C50
10µF 63V RADIAL	72-C10-63VER	2	C29 C43
100nF 100V POLY BOX	72-C100N-100VP	4	C3 C10 C23 C26
100pF 100V CER/DISC	72-C100P-100VCD2	6	C4 C16 C39 C42 C49 C52
10nF 100V POLY BOX	72-C10N-100VP	5	C25 C28 C40 C44 C51
2.2µF 35V TANT	72-C2.2-35VT	6	C15 C18 C22 C27 C32 C47
220µF 35V RADIAL	72-C220-35VER	2	C19 C21

220nF 100V POLY	72-C220N-100VP	1	C20
220pF 100V CER/DISC	72-C220P-100VCD2	2	C5 C9
22nF 100V POLY	72-C22N-100VP	2	C31 C46
2.2nF 100V POLY	72-C2N2-100VP	4	C6 C7 C8 C13
33nF 100V POLY	72-C33N-100VP	1	C37
3.3nF 100V POLY	72-C3N3-100VP	3	C17 C30 C45
470pF 100V POLYCARB	72-C470P-100VPC	1	C24
4.7nF 100V POLY	72-C4N7-100VP	4	C11 C14 C36 C38
SEMI-CONDUCTORS			
J112 FET	72-FET-J-112	2	TR1-2
555 TIMER IC	72-IC-M7555IPA	1	IC5
MN3007 PANASONIC	72-IC-MN3007	1	IC4
MN3101 CHORUS IC	72-IC-MN3101	1	IC3
TL074 OP-AMP	72-IC-TL074	5	IC1 IC2 IC6 IC7 IC8
5MM LED	72-LED-RED	2	L2 L3
2X5X7MM LED	72-LED-RED-TEG	1	L1
BC549C	72-TBC549C	4	TR3-6
OTHERS			
3 WAY HEADER	72-HEAD-3W-2	1	CD
4 WAY HEADER	72-HEAD-4W	1	CA
5 WAY HEADER	72-HEAD-5W-2	1	CC
STEREO JACK SKT	72-SKT-JCKBBBG	1	BACK PCB
MONO JACK SKT	72-SKT-JCKBNBG	3	J1-2 & BACK PCB
50K POT	73-POT-50KB	7	V4 V6-8 V10-12
50K POT WITH SWITCH	73-POT-50KB-PS	3	V1-3
5K DUAL GANG POT	73-POT-B5K-DG	2	V5 V9
PUSH SWITCH	73-SWT-F2UEE	4	SW3-6
TOGGLE SWITCH	73-SWT-M-TGL-PCB	2	S1 S2
3 WAY TERMINAL	73-TERM-PCB-3WAY	1	CB
4 WAY FLY LEAD	C00-FLY-TA-4WAY	1	CA

Rik Daniels
March 14, 1997

ISSUE CHANGE NOTE DATE	ISSUE CHANGE NOTE DATE	ISSUE CHANGE NOTE DATE
ISSUE CHANGE NOTE DATE	ISSUE CHANGE NOTE DATE	ISSUE CHANGE NOTE DATE

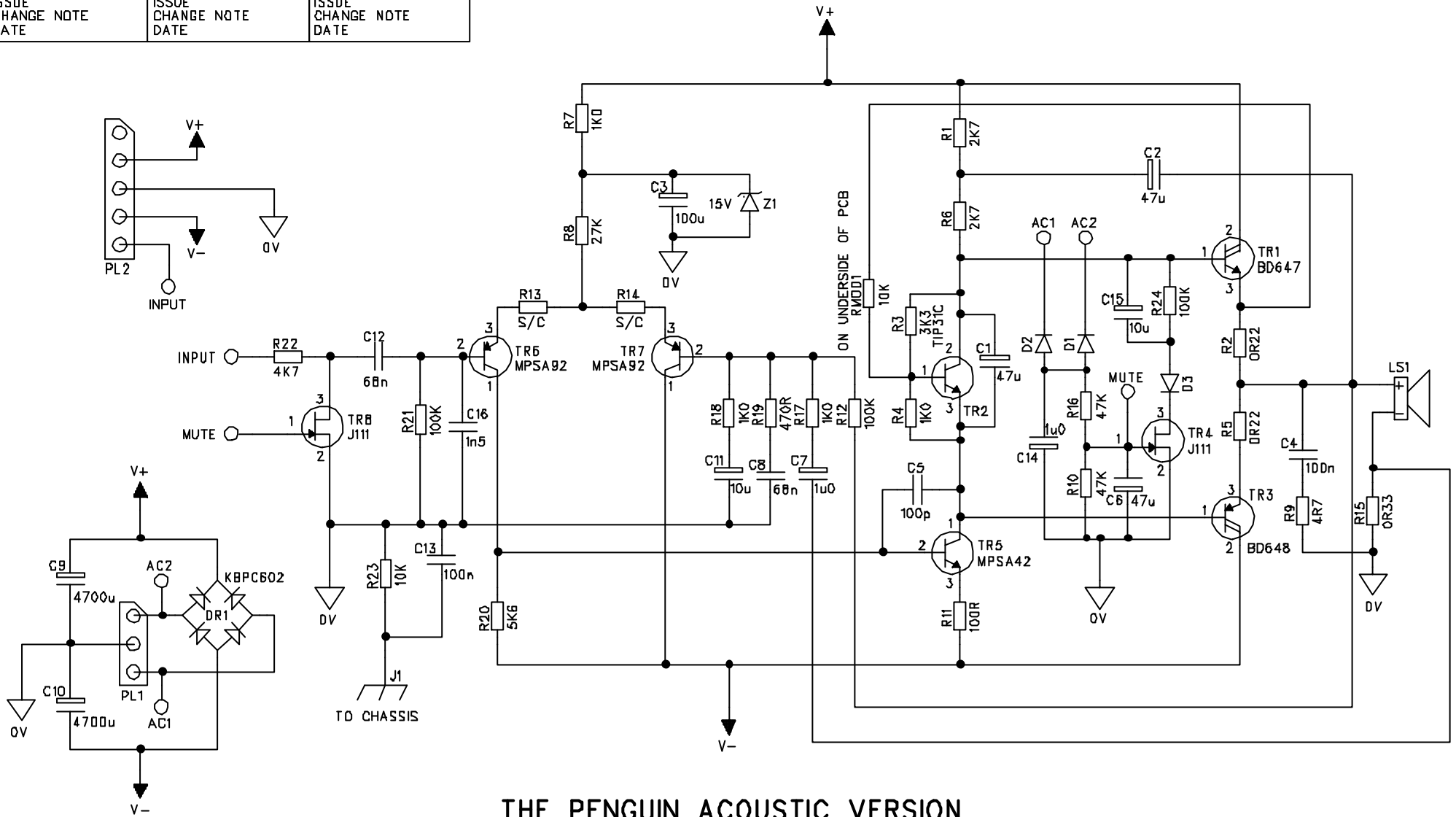


TITLE
PROJECT
DRAWING No
ISSUE
DATE
DRAWN BY

PREAMP POWER SUPPLY
TA35/60/70CR USING PENGUIN
CD00042
2
8/3/1996
J B RECKLESS

TRACE ELLIOT
TRACE ELLIOT LIMITED
MALDON ESSEX CM9 7GG
ENGLAND
TEL (01621) 855266
FAX (01621) 851975

ISSUE CHANGE NOTE DATE	ISSUE CHANGE NOTE DATE	ISSUE CHANGE NOTE DATE
ISSUE CHANGE NOTE DATE	ISSUE CHANGE NOTE DATE	ISSUE CHANGE NOTE DATE



TITLE
PROJECT
DRAWING No
ISSUE
DATE
DRAWN BY

NEW POWER OUTPUT STAGE
TRACE ACOUSTIC
CD00044
3
25/9/1996
J B RECKLESS

TRACE ELLIOT
TRACE ELLIOT LIMITED
MALDON ESSEX CM9 7GG
ENGLAND
TEL (01621) 855266
FAX (01621) 851975

C21-MOD-PEN-ACOUx2.
TRACE ACOUSTIC PENGUIN OUTPUT STAGE
USING PC00031 ISSUE 3

(22/5/1998) UP-ISSUED 30/6/98. R7 to 1WATT

<u>Description</u>	<u>Part Code</u>	<u>Qty</u>	<u>Where Used</u>
PCB 'The Penguin'	73-PCB-PC00031 X3	1	
diode 1N4148	72-D-1N4148	3	D1 D2 D3
Zener diode 15V	72-D-BZY88C15	1	Z1
Res 1/4w 0R	72-RCZERO	2	R13 R14
Res 1/4w 0R	72-RCZERO	9	LINKS
Res 1/4w 100R	72-RM100R	1	R11
Res 1/4w 470R	72-RM470R	1	R19
Res 1/4w 5K6	72-RM5K6	1	R20
Res 1/4w 1K0	72-RM1K	3	R4 R17 R18
Res 1/4w 3K3	72-RM3K3	1	R3
Res 1/4w 2K7	72-RM2K7	2	R1 R6
Res 1/4w 27K	72-RM27K	1	R8
Res 1/4w 4K7	72-RM4K7	1	R22
Res 1/4w 10K	72-RM10K	1	R23
Res 1/4w 47K	72-RM47K	2	R10 R16
Res 1/4w 100K	72-RM100K	3	R12 R21 R24
Res 1WATT 1K	72-RM1K-1WATT	1	R7
Res 1WATT 4R7	72-RM4R7-1WATT	1	R9
Cap ceramic 100p 0.2"	72-C100P-100VCD	1	C5
Cap box poly 1n5 0.2"	72-C1N5-100VP	1	C16
Cap box poly 68n 0.2"	72-C68N-100VP	2	C8 C12
Cap box poly 100n 0.2"	72-C100N-100VP	2	C4 C13
Cap radial elec 1u0 63V	72-C1-63VER	2	C7 C14
Cap radial elec 10u 16V	72-C10-16VER	2	C11 C15
Cap radial elec 47u 16V	72-C47-16VER	3	C1 C2 C6
Cap radial elec 100u 16V	72-C100-16VER	1	C3
Transistor JFET J111	72-FET-J-111	2	TR4 TR8
Transistor MPSA42	72-TMPSA42	1	TR5
Transistor MPSA92	72-TMPSA92	2	TR6 TR7
Header 3 way 0.1"	72-HEAD-3W-2	1	PL1
Header 5 way 0.1"	72-HEAD-5W-2	1	PL2
Res 2.5w 0R22	72-RWW0R2-2.5W	2	R2 R5
Res 2.5w 0R33	72-RWW0R33-2.5W	1	R15
Loudspeaker cable	72-WIR-LSP-4	0.5m	solder into LS1 and crimp
Bridge rectifier KBPC602	73-BRIDGE-2	1	DR1
Cap snap in 4700u 35V	73-CAP-470035V	2	C9 C10
Transistor BD647	72-TBD647	1	TR1 (on heatsink)
Transistor BD648	72-TBD648	1	TR3 (on heatsink)
Transistor TIP31C	72-TIP31C-ST	1	TR2 (on heatsink)
PCB mounting bracket	73-TERM-SCREW-M3	2	solder into PCB
Heatsink for The Penguin	E12-HS-PENGUIN	1	fixed to TR1 -- TR3 with:
M3 X 12mm pozi pan head	71-SCR-M3X12PP	5	
M3 shakeproof washers	71-WAS-M3INTSP	5	
M3 hex nuts	71-NUT-M3ZINC	3	
Insulating kits	73-MOS-PAD-TO3P2	3	