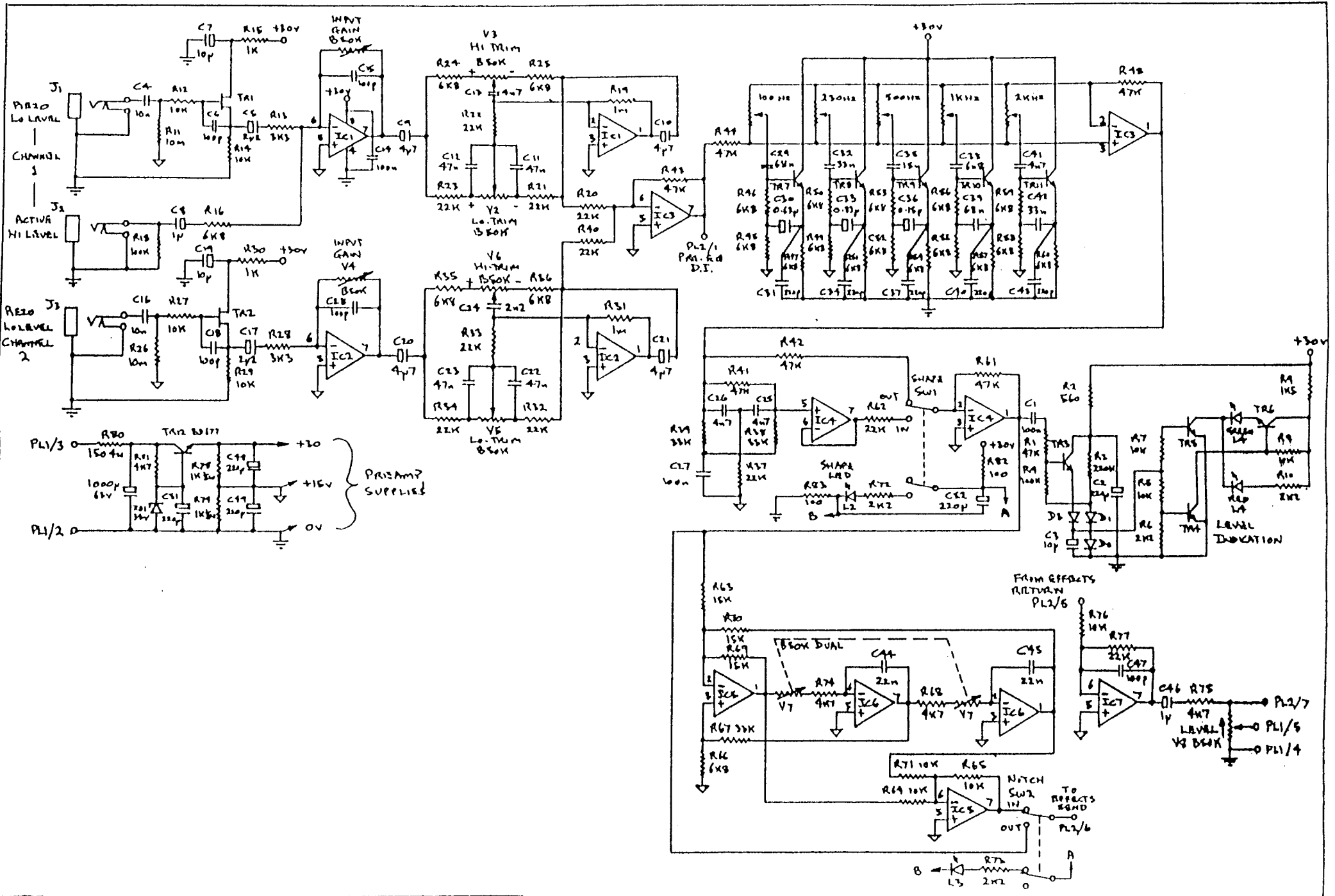


# **TRACE ELLIOT**

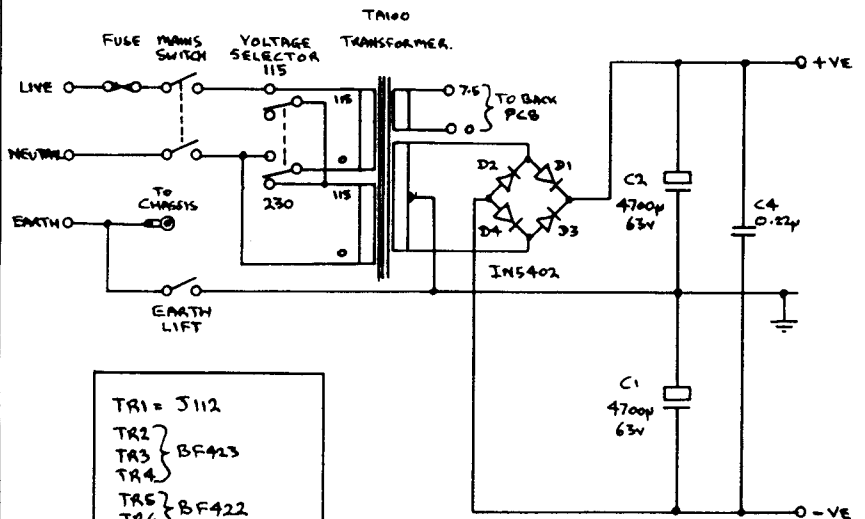
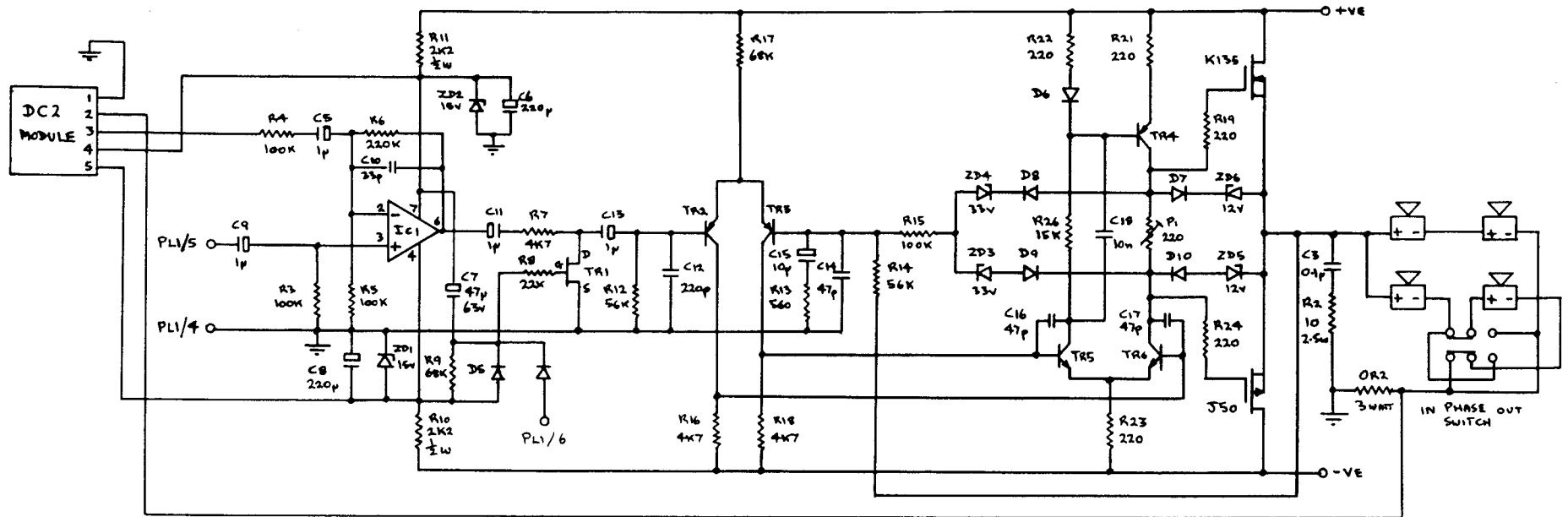
## **SERVICE MANUAL**

**DATE :** December 29, 1999  
**Product Code:** N/A  
**Model Number :** TAB100-15

Issued by:  
**Trace Elliot Limited**  
**Blackwater Trading Estate**  
**The Causeway**  
**Maldon**  
**Essex**  
**England**  
**CM4 4GG**

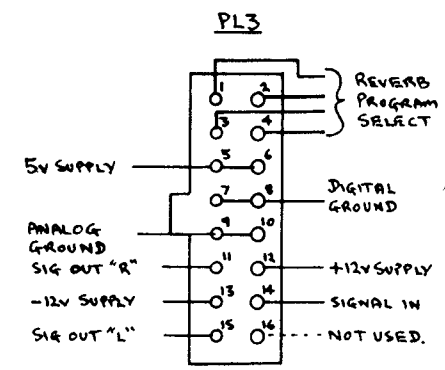


TAB100 CIRCUIT DIAGRAM	DRAWN C. BUTTON	DATE 16-2-91
------------------------	--------------------	-----------------



TR1 = J112  
 TR2 } BF423  
 TR3 }  
 TR4 }  
 TR5 } BF422  
 TR6 }  
 IC1 = TL071  
 D5 to D10 = 1N4148  
 D1 to D4 = IN5402

C12  
 C14  
 C9  
 C11  
 C5  
 TR1  
 IC1



- PL2 AND PL4**
- 1 0 PRE EQ D.I.
  - 2 0 +5V
  - 3 0 DIGITAL GND
  - 4 0 ANALOG GND
  - 5 0 FX RETURN
  - 6 0 FX SEND
  - 7 0 POST EQ D.I. AND LINK
  - 8 0 ⊕
  - 9 0 +30V
  - 10 0 REVERB MUTE SIGNAL

**TOP VIEW**

# PARTS LIST FOR TAB100 PRE-AMP

Description	Part Code	Qty	Where Used
RESISTORS			
ZERO OHM LINK	72-RCZERO	23	
22K ¼WATT	72-RM22k	11	R20-23 R32 R33 R34 R37 R40 R62 R77
10K ¼WATT	72-RM10K	11	R5 R7 R8 R12 R14 R27 R29 R64 R65 R71 R76
47K ¼WATT	72-RM47K	7	R1 R41-44 R48 R61
6K8 ¼WATT	72-RM6K8	11	R16 R24 R25 R35 R36 R45 R46 R47 R49 R60 R66
2K2 ¼WATT	72-RM2K2	5	R6 R10 R17 R72 R73
4K7 ¼WATT	72-RM4K7	4	R68 R74 R75 R81
15K ¼WATT	72-RM15K	3	R63 R69 R70
33K ¼WATT	72-RM33K	3	R38 R39 R67
3K3 ¼WATT	72-RM3K3	2	R13 R28
1K ¼WATT	72-RM1K	2	R15 R30
100K ¼WATT	72-RM100K	2	R4 R18
10M ¼WATT	72-RM10M	2	R11 R26
1M ¼WATT	72-RM1M	2	R19 R31
100R ¼WATT	72-RM100R	2	R82 R83
560R ¼WATT	72-RM560R	1	R2
1K5 ¼WATT	72-RM1K5	1	R9
220K ¼WATT	72-RM220K	1	R3
150R 4 WATT	72-RWW150R-4W	1	R80
1K ½WATT	72-RC1K-.5W	2	R78 R79
CAPACITORS			
0.15µF 35V TANT	72-C0.15-35VT	1	C36
0.33µF 35V TANT	72-C0.33-35VT	1	C33
0.68µF 35V TANT	72-C0.68-35VT	1	C30
1µF 35V TANT	72-C1-35VT	1	C8
1µF 63V RADIAL	72-C1-63VER	1	C46
10µF 63V RADIAL	72-C10-63VER	3	C3 C7 C19
1000µF 63V RADIAL	72-C1000-63VEA	1	C50
100nF 100V MYLAR	72-C100N-100VE	3	C1 C14 C27
100pF 100V CER/DISC	72-C100P-100VCD2	5	C6 C15 C18 C28 C47
10nF 100V MYLAR	72-C10N-100VE	2	C4 C16
15nF 100V MYLAR	72-C15N-100VE	1	C35
2.2µF 35V TANT	72-C2.2-35VT	2	C5 C17
220µF 35V RADIAL	72-C220-35VER	5	C2 C51 C52 C48 C49
220pF 100V CER/DISC	72-C220P-100VCD2	5	C31 C34 C37 C40 C43

22nF 100V MYLAR	72-C22N-100VE	2	C44 C45
2.2nF 100V MYLAR	72-C2N2-100VE	1	C24
33nF 100V MYLAR	72-C33N-100VE	2	C32 C42
4.7µF 63V RADIAL	72-C4.7-63VER	4	C9 C10 C20 C21
47nF 100V MYLAR	72-C47N-100VE	4	C11 C12 C22 C23
4n7 100V MYLAR	72-C4N7-100VE	4	C13 C25 C26 C41
68nF 100V MYLAR	72-C68N-100VE	2	C29 C39
6.8nF 100V MYLAR	72-C6N8-100VE	1	C38
SEMI-CONDUCTORS			
33V ZENER DIODE	72-D-BZX55C33V	1	ZD1
IN4148 DIODE	72-D-IN4148	3	D1-3
J112 FET	72-FET-J-112	2	TR1-2
TL072 OP-AMP	72-IC-TL072	7	IC1-7
RED LIGHTHOUSE LED	72-LED-L-HOUSE	3	L1-3
BC549C TRANSISTOR	72-TBC549C	9	TR3-11
BD677 DARLINGTON	72-TBD677	1	TR12
OTHERS			
6MM PLASTIC SPACER	71-SPA-6MM	3	L1-3
10 WAY QUICK RELEASE	72-CON-10W-QR	1	PL2
6 WAY HEADER	72-HEAD-6W	1	PL1
LED CLIP	72-LED-CLIP-RING	1	L4
7 WAY 50MM LINK	72-LK-7W50L	1	JL1
MONO JACK SOCKET	72-SKT-JCKBNBG	3	J1-3
DUAL GANG 50K POT	73-POT-50K-DG	1	V7
50K POT	73-POT-50KB	7	V1-6 V8
SLIDER BANK	73-SLIDER-5WAY	1	JL1
PUSH SWITCH	73-SWT-F2UEE	2	SW1-2
TRI-COLOUR LED	C00-LED-WIRE-TRI	1	L4

**Rik Daniels**

**March 11, 1997**

## PARTS LIST FOR AOP POWER MODULE

Description	Part Code	Qty	Where Used
RESISTORS			
ZERO OHM LINK	72-RCZERO	3	
100K ¼ WATT	72-RM100K	4	R3 R4 R5 R15
15K ¼ WATT	72-RM15K	1	R26
220K ¼ WATT	72-RM220K	1	R6
220R ¼ WATT	72-RM220R	5	R19 R21 R22 R23 R24
22K ¼ WATT	72-RM22K	1	R8
2K2 1 WATT	72-RM2K2-1WATT	2	R10 R11
4K7 ¼ WATT	72-RM4K7	3	R7 R16 R18
560R ¼ WATT	72-RM560R	1	R13
56K ¼ WATT	72-RM56K	2	R12 R14
68K ¼ WATT	72-RM68K	2	R9 R17
0.2R 2.5 WATT	72-RWW0R2-2.5W	1	R1
10R 2.5 WATT	72-RWW10R-2.5W	1	R2
CAPACITORS			
0.2µF 250V POLY	72-C0.22-250VP	1	C4
1µF 35V TANT	72-C1-35VT	4	C5 C9 C11 C13
10µF 63V RADIAL	72-C10-63VER	1	C15
100nF 250V POLY	72-C100N-250VP	1	C3
10nF 100V MYLAR	72-C10N-100VE	1	C18
220µF 35V RADIAL	72-C220-35VER	2	C6 C8
220pF 100V CER/DISC	72-C220P-100VCD2	1	C12
33pF 100V CER/DISC	72-C33P-100VCD	1	C10
47µF 63V RADIAL	72-C47-63VER	1	C7
47pF 100V CER/DISC	72-C47P-100VCD	3	C14 C16 C17
4700µF 63V RADIAL	72-CAP-470063	2	C1 C2
SEMI-CONDUCTORS			
12V ZENER	72-D-BZX55C12V	2	ZD5 ZD6
15V ZENER	72-D-BZX55C15V	2	ZD1 ZD2
33V ZENER	72-D-BZX55C33V	2	ZD3 ZD4
IN4148 DIODE	72-D-IN4148	6	D6-11
IN5402 DIODE	72-D-IN5402	4	D1-4
J112 FET	72-FET-J-112	1	TR1
TL071 OP-AMP	72-IC-TL071	1	IC1
BUZ901P MOS-FET	72-MOS-BUZ901P	1	
BUZ906P MOS-FET	72-MOS-BUZ906P	1	
BF422 TRANSISTOR	72-TBF422	2	TR5 TR6
BF423 TRANSISTOR	72-TBF423	3	TR2 TR3 TR4

OTHERS			
6 WAY HEADER	72-HEAD-6W	1	PL1
MOS-FET PAD	72-MOS-PAD-T03P2	2	
220R PRESET POT	72-PRESET-220R	1	P1
DC2 MODULE	C22-PCB-DC-2	1	

**Rik Daniels**  
**March 3, 1997**