

# **TRACE ELLIOT**

## **SERVICE MANUAL NO. SM00028A**

### **ISSUE 1**

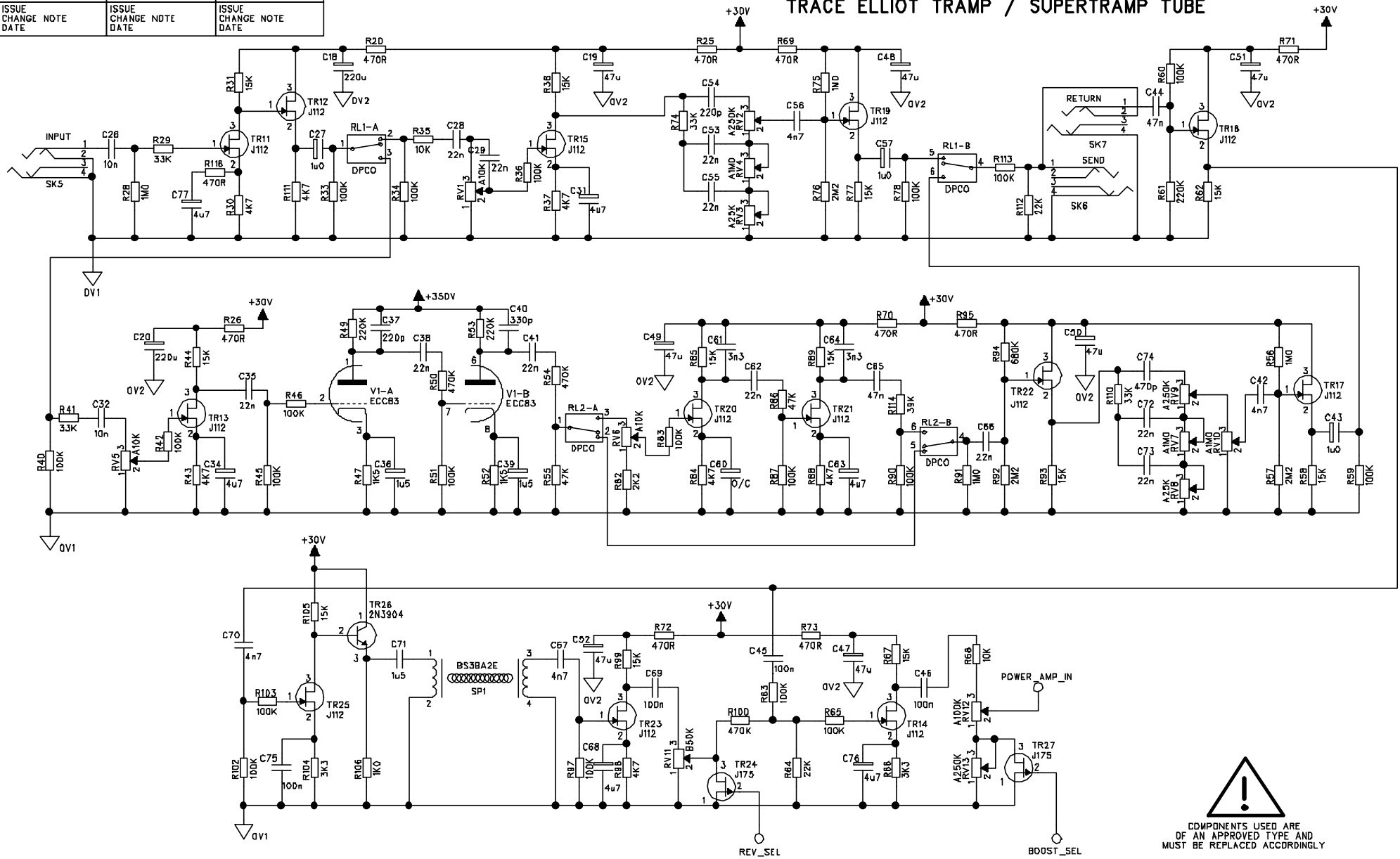
**Date:** February 12, 1997  
**Product Code :** T3421  
**Model No :** Super Tramp Tube  
**Technical File No :** TE00028

**Issued by:**

**Trace Elliot Limited.  
Blackwater Trading Estate  
The Causeway, Maldon  
Essex CM4 4GG.**

ISSUE CHANGE NOTE DATE	ISSUE CHANGE NOTE DATE	ISSUE CHANGE NOTE DATE
ISSUE CHANGE NOTE DATE	ISSUE CHANGE NOTE DATE	ISSUE CHANGE NOTE DATE

# TRACE ELLIOT TRAMP / SUPERTRAMP TUBE

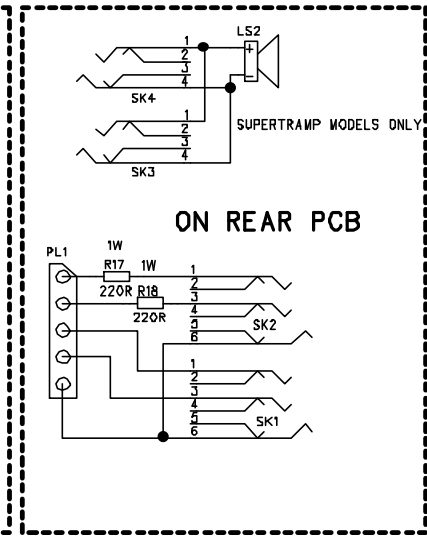
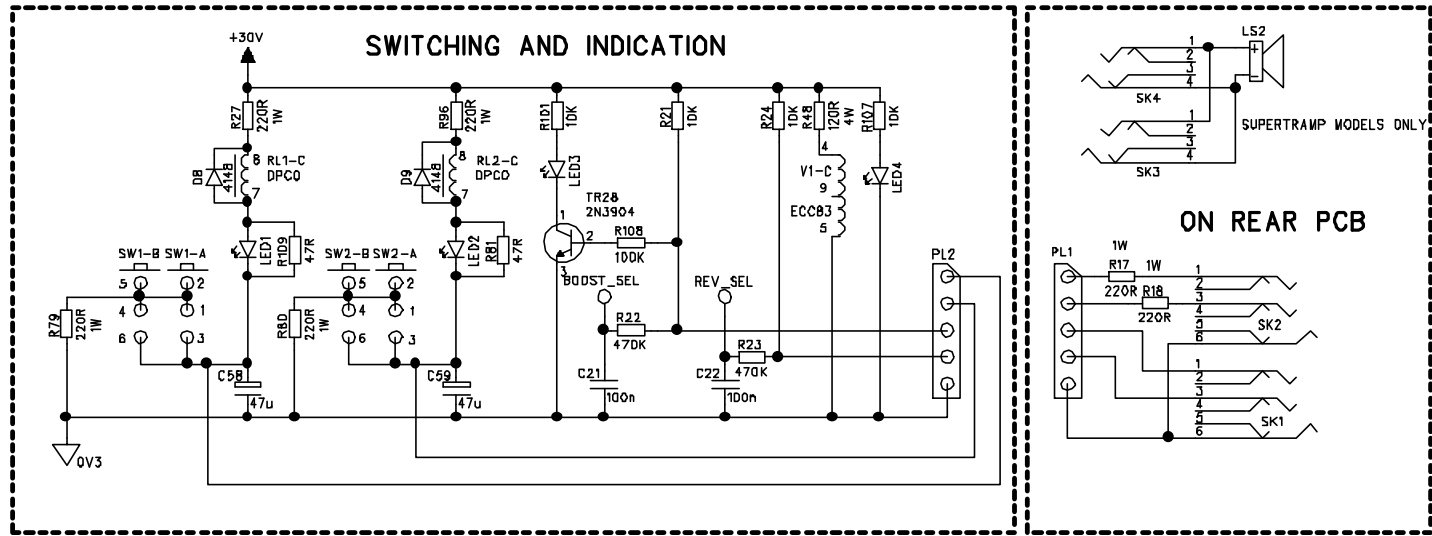
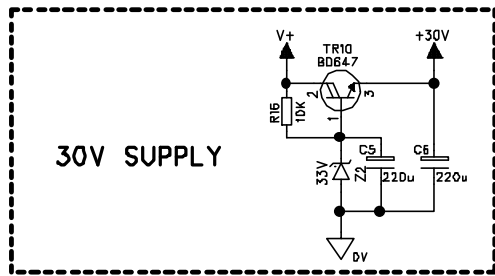
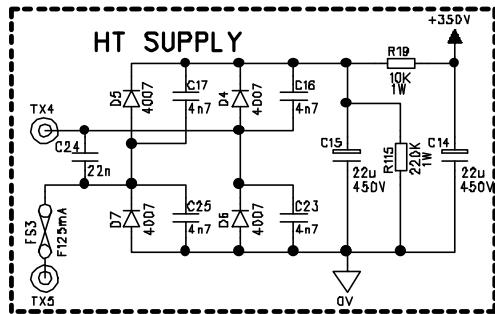
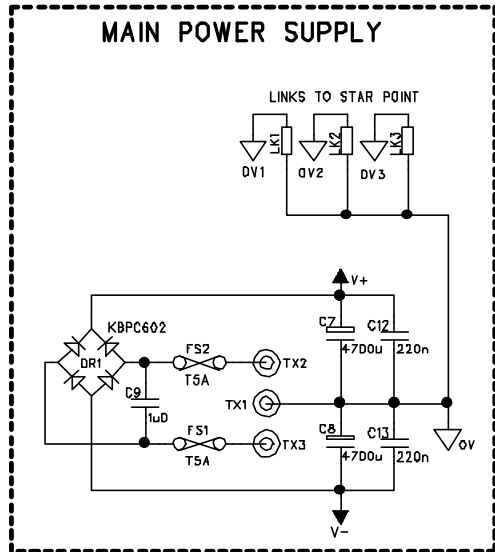


  
 COMPONENTS USED ARE OF AN APPROVED TYPE AND MUST BE REPLACED ACCORDINGLY

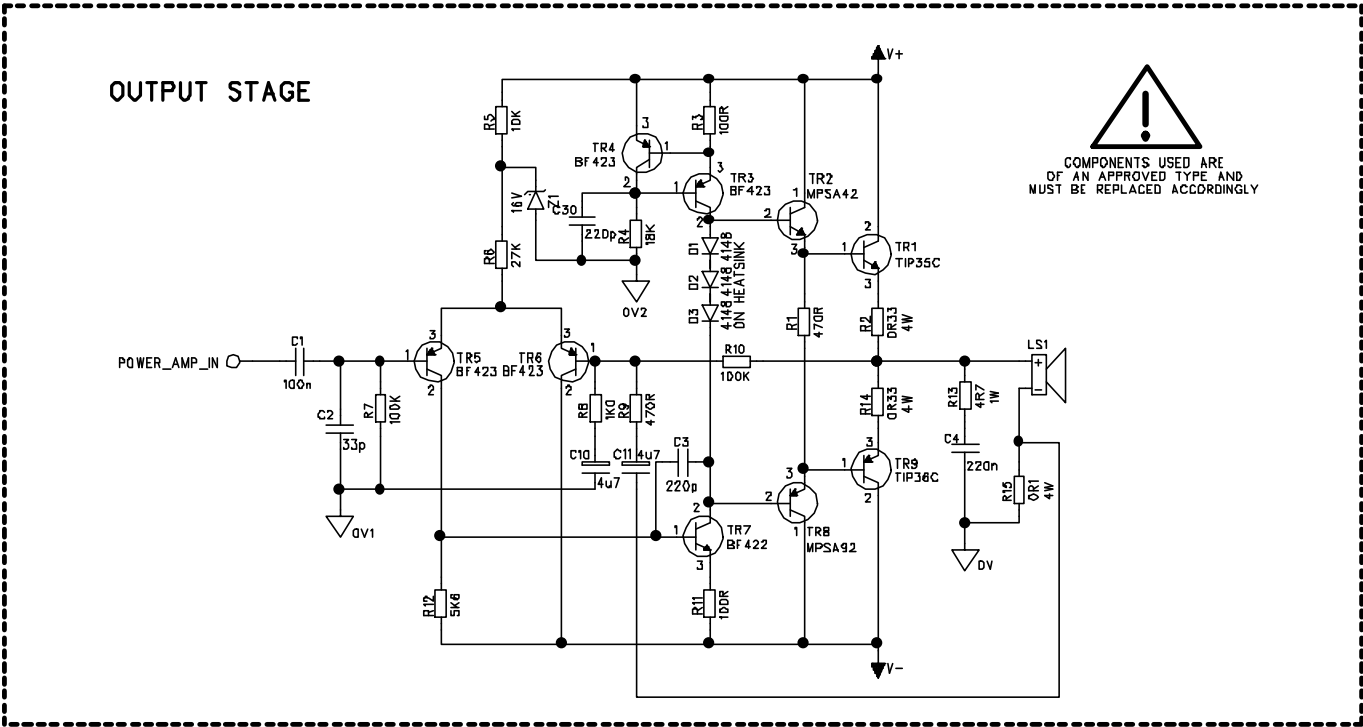
SHEET 1 OF 2

TITLE	CIRCUIT DIAGRAM	<b>TRACE ELLIOT LTD</b>
PROJECT	TRAMP / SUPERTRAMP TUBE RANGE	BLACKWATER TRADING ESTATE
DRAWING No	CD00040	WALDON ESSEX CM9 4GG
ISSUE	9	GREAT BRITAIN
DATE	2 JULY 1998	TEL (01621) 851851
DRAWN BY	P STEVENS, C BUTTON & J B RECKLESS	FAX (01621) 851975

ISSUE 5 DATE 12/2/98	ISSUE CHANGE DATE	ISSUE CHANGE NOTE	ISSUE CHANGE DATE
STOP 50MHZ SPIKE	ADDED C30	TO CHANGE DATE	NOTE DATE
ISSUE CHANGE DATE	ISSUE CHANGE DATE	ISSUE CHANGE DATE	ISSUE CHANGE DATE



TRACE ELLIOT TRAMP / SUPERTRAMP TUBE



SHEET 2 OF 2

TITLE	CIRCUIT DIAGRAM	<b>TRACE ELLIOT LTD</b> BLACKWATER TRADING ESTATE WALDON ESSEX CM9 4GG GREAT BRITAIN TEL (01621) 851851 FAX (01621) 851975
PROJECT	TRAMP / SUPERTRAMP TUBE RANGE	
DRAWING No	CD0004-D	
ISSUE	9	
DATE	2 JULY 1998	
DRAWN BY	P STEVENS, C BUTTON & J B RECKLESS	

# C32-PCB-ST-TUBEx15.

## USING PC00045 ISSUE 4.

### TRAMP TUBE GUITAR AMP 31/8/99

UP-ISSUED -14 ID00242 for radiated emissions  
-15 for GOLD JACKS

INSERTION LIST ISSUE 15

Type	Part Code	Qty	Value	Reference
<b>Axial Capacitors</b>				
1	72-C100N-100VCA	7	100n	C1 C21 C22 C45 C46 C69 C75
1	72-C10N-100VCA	2	10n	C26 C32
1	72-C220N-50VCA	1	220n	C4
1	72-C220P-100VCA	3	220p	C3 C54 and between TR3 & R4 (see Tramp mods memo issue 1 5/11/98)
1	72-C22N-100VCA	9	22n	C28 C29 C35 C53 C55 C62 C66 C72 C73 (C33 NOT FITTED )
1	72-C33P-100VCA	1	33p	C2
1	72-C3N3-100VCA	2	3n3	C61 C64
1	72-C470P-100VCA	1	470p	C74
1	72-C47N-100VCA	2	47n	C44 C65
1	72-C4N7-100VCA	4	4n7	C56 C42 C67 C70
<b>Axial Diodes</b>				
1	72-D-1N4007	4	1N4007	D4 D5 D6 D7
1	72-D-1N4148	5	1N4148	D1 D2 D3 D8 D9
1	72-D-BZX55C16V	1	16V	Z1
1	72-D-BZX55C33V	1	33V	Z2
<b>Zero Ohm Links</b>				
1	72-RCZERO	3	S/C	LK1 LK2 LK3
1	72-RCZERO	68	S/C	SEE PCB
<b>Axial Resistors</b>				
1	72-RM100K	23	100K	R7 R10 R33 R34 R36 R40 R42 R45 R46 R51 R59 R60 R63 R65 R78 R83 R87 R90 R97 R102 R103 R108 R113
1	72-RM100R	2	100R	R3 R11
1	72-RM10K	8	10K	R5 R16 R21 R24 R35 R68 R101 R107
1	72-RM10K-1WATT	1	10K/1W	R19
1	72-RM15K	12	15K	R31 R38 R44 R58 R62 R67 R77 R85 R89 R93 R99 R105
1	72-RM18K	1	18K	R4
1	72-C1000P-1KVCD	1	1000pF	Fit across R4 on underside of PCB ref Tramp mods memo issue 1 5/11/98
1	72-RM2K2	1	2K2	R82
1	72-RM1K	2	1K0	R8 R106
1	72-RM1K5	2	1K5	R47 R52
1	72-RM1M	3	1M0	R56 R75 R91
1	72-RM220K	1	220K	R61
1	72-RM220R-1WATT	6	220R/1W	R17 R18 R27 R79 R80 R96
1	72-RM22K	2	22K	R112 R64

1	72-RM220K-1WATT	3	220K/1W	R49 R53 R115
1	72-RM27K	1	27K	R6
1	72-RM2M2	3	2M2	R57 R76 R92
1	72-RM33K	4	33K	R29 R41 R74 R110
1	72-RM3K3	2	3K3	R66 R104
1	72-RM39K	1	39K	R114
1	72-RM470K	6	470K	R22 R23 R28 R50 R54 R100
1	72-RM470R	12	470R	R1 R9 R20 R25 R26 R69 R70 R71 R72 R73 R95 R116
1	72-RM47K	2	47K	R55 R86
1	72-RM4K7	7	4K7	R30 R37 R43 R84 R88 R98 R111
1	72-RM47R	2	47R	R81 R109
1	72-RM4R7-1WATT	1	4R7/1W	R13
1	72-RM5K6	1	5K6	R12
1	72-RM680K	1	680K	R94

Non Axial Components				
2	72-BRIDGE-2	1	KBPC602	DR1
2	72-C1.5-35VT	3	1u5	C36 C39 C71
2	72-C1-250VP	1	1u0	C9
2	72-C1-35VT	3	1u0	C27 C43 C57
2	72-C220-35VER	4	220u	C5 C6 C18 C20
2	72-C220N-250VP	2	220n	C12 C13
2	72-C220P-1KVCD	1	220p	C37
2	72-C22-450VER	2	22u	C14 C15
2	72-C22N-400VP	3	22n	C24 C38 C41
2	72-C330P-1KVCD	1	330p	C40
2	72-C4.7-35VT	8	4u7	C10 C11 C31 C34 C63 C68 C76 C77
2	72-C4700P-1KVCD	4	4n7	C16 C17 C23 C25
2	72-C47-63VER	9	47u	C19 C47 C48 C49 C50 C51 C52 C58 C59
2	72-CRIMP-PCB-TAB	4		LS1 LS2
2	72-CRIMP-PCB-TAB	5		TX1 TX2 TX3 TX4 TX5
2	72-CRIMP-PCB-TAB	1		GND1
2	72-FET-J-175	2	J175	TR24 TR27
2	72-FET-J-112P	13	J112	TR11 TR12 TR13 TR14 TR15 TR17 TR18 TR19 TR20 TR21 TR22 TR23 TR25 (to be within specified test range)
2	72-FUS-5AT-2	2	T5A	FS1 FS2
2	72-FUS-HLD-PCB-2	2	T5A	FS1 FS2
2	72-HEAD-2W	2		SP1
2	72-HEAD-5W-2	2		PL1 PL2
2	72-LED-RED-3MM	4		LED1 LED2 LED3 LED4
2	72-RELAY-47W	2	12V DPCO	RL1 RL2
2	72-RWW0R1-4W	1	0R1	R15
2	72-RWW0R33-4W	2	0R33	R2 R14
2	72-RWW120R-6W	1	120R	R48
2	72-T2N3904	2	2N3904	TR26 TR28
2	72-TBF422	1	BF422	TR7
2	72-TBF423	4	BF423	TR3 TR4 TR5 TR6
2	72-TMP5A42	1	MPSA42	TR2

2	72-TMPA92	1	MPSA92	TR8
2	73-SWT-F2UEE	2	DPCO	SW1 SW2
<b>Second Stage Components</b>				
3	73-TERM-SCREW-M3	3		J1 J2 J3
3	72-CAP-470063V	2	4700u	C7 C8
3	72-SKT-JCKBBBS	2		SK1 SK2
3	72-SKT-JCKBNBG	3		SK5 SK6 SK7
3	72-TBD647	1	BD647	TR10
3	72-TIP35C	1	TIP35C	TR1
3	72-TIP36C	1	TIP36C	TR9
3	72-MOS-PAD-TO3P2	2		TR1 TR9
3	72-MOS-PAD-TO220	1		TR10
3	73-POT-50KB	1	B50K	RV11
3	73-POT-A10K	3	A10K	RV1 RV5 RV6
3	73-POT-A100K	1	A100K	RV12
3	73-POT-A1M	3	A1M0	RV4 RV7 RV10
3	73-POT-A250K	3	A250K	RV2 RV9 RV13
3	73-POT-A25K	2	A25K	RV3 RV8
3	73-VAL-ECC83	1	ECC83	V1
3	73-VAL-SOCKET	1	ECC83	V1
3	73-PCB-PC00045	1		ISSUE 4
3	G13-HS-TV	1		HEATSINK - SEE VERSION
3	71-SCR-M3X12PPB	6		
3	71-NUT-M3ZINC	3		
3	71-WAS-M3SCOIL	3		
3	71-WAS-M3-AZINC	3		
3	C00-FLY-TRAMP-TUBE	1		
3	35-LAB-PCB	20		
3	35-LAB-TEST	5		

ALL J112's TO BE WITHIN THE PINK RANGE.

N.B. Attach to the back of the PCB a 7/0.2 Purple wire link 40mm long between front, (nearest pots), of R78 and the link left of R40, (looking from the top).

For all details of mods, please see Tramp Mods memo issue 1 5/11/98.