



SERVICE MANUAL

MODEL TYPE: YS1041

DG65R / DG65D

WEB ACCESS: <http://www.yorkville.com>

WORLD HEADQUARTERS CANADA

Yorkville Sound
550 Granite Court
Pickering, Ontario
L1W-3Y8 CANADA

Voice: (905) 837-8481
Fax: (905) 837-8746

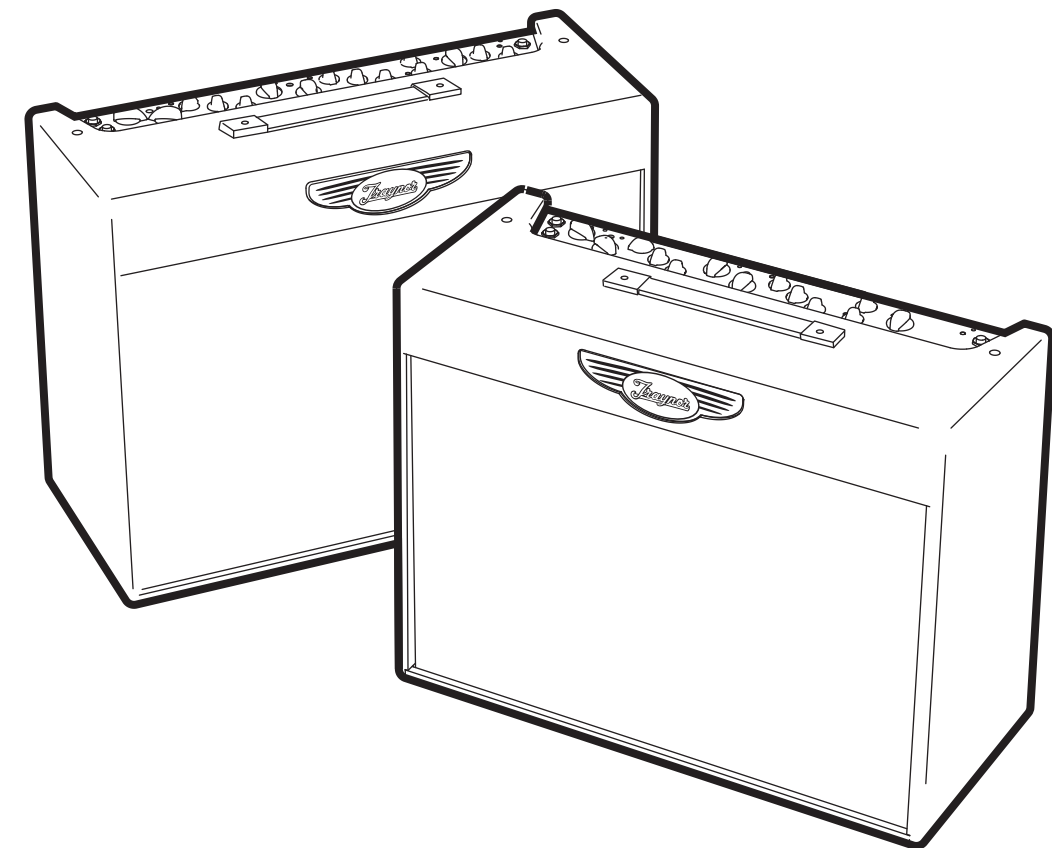
U.S.A.

Yorkville Sound Inc.
4625 Witmer Industrial Estate
Niagara Falls, New York
14305 USA

Voice: (716) 297-2920
Fax: (716) 297-3689



Quality and Innovation Since 1963
Printed in Canada



IMPORTANT SAFETY INSTRUCTIONS



INSTRUCTIONS PERTAINING TO A RISK OF FIRE, ELECTRIC SHOCK, OR INJURY TO PERSONS

CAUTION:

TO REDUCE THE RISK OF ELECTRIC SHOCK, DO NOT REMOVE COVER (OR BACK).

NO USER SERVICEABLE PARTS INSIDE.

REFER SERVICING TO QUALIFIED SERVICE PERSONNEL.

INSTRUCTIONS RELATIVES AU RISQUE DE FEU, CHOC ÉLECTRIQUE, OU BLESSURES AUX PERSONNES

AVIS:

AFIN DE REDUIRE LES RISQUE DE CHOC ELECTRIQUE, N'ENLEVEZ PAS LE COUVERT (OU LE PANNEAU ARRIERE)

NE CONTIENT AUCUNE PIECE REPARABLE PAR L'UTILISATEUR.

CONSULTEZ UN TECHNICIEN QUALIFIE POUR L'ENTRETIEN

Read Instructions

The Owner's Manual should be read and understood before operation of your unit. Please, save these instructions for future reference.

Packaging

Keep the box and packaging materials, in case the unit needs to be returned for service.

Warning

When using electric products, basic precautions should always be followed, including the following:

Power Sources

Your unit should be connected to a power source only of the voltage specified in the owners manual or as marked on the unit. This unit has a polarized plug. Do not use with an extension cord or receptacle unless the plug can be fully inserted. Precautions should be taken so that the grounding scheme on the unit is not defeated.

Hazards

Do not place this product on an unstable cart, stand, tripod, bracket or table. The product may fall, causing serious personal injury and serious damage to the product. Use only with cart, stand, tripod, bracket, or table recommended by the manufacturer or sold with the product. Follow the manufacturer's instructions when installing the product and use mounting accessories recommended by the manufacturer.

The apparatus should not be exposed to dripping or splashing water; no objects filled with liquids should be placed on the apparatus.

Terminals marked with the "lightning bolt" are hazardous live; the external wiring connected to these terminals require installation by an instructed person or the use of ready made leads or cords.

Ensure that proper ventilation is provided around the appliance.

No naked flame sources, such as lighted candles, should be placed on the apparatus.

Power Cord

The AC supply cord should be routed so that it is unlikely that it will be damaged. If the AC supply cord is damaged DO NOT OPERATE THE UNIT.

Service

The unit should be serviced only by qualified service personnel.

Veillez Lire le Manuel

Il contient des informations qui devraient être comprises avant l'opération de votre appareil. Conservez S.V.P. ces instructions pour consultations ultérieures.

Emballage

Conservez la boîte au cas où l'appareil devait être retourner pour réparation.

Attention:

Lors de l'utilisation de produits électrique, assurez-vous d'adhérer à des précautions de bases incluant celle qui suivent:

Alimentation

L'appareil ne doit être branché qu'à une source d'alimentation correspondant au voltage spécifié dans le manuel ou tel qu'indiqué sur l'appareil. Cet appareil est équipé d'une prise d'alimentation polarisée. Ne pas utiliser cet appareil avec un cordon de raccordement à moins qu'il soit possible d'insérer complètement les trois lames. Des précautions doivent être prises afin d'éviter que le système de mise à la terre de l'appareil ne soit désengagé.

Risque

Ne pas placer cet appareil sur un chariot, un support, un trépied ou une table instables. L'appareil pourrait tomber et blesser quelqu'un ou subir des dommages importants. Utiliser seulement un chariot, un support, un trépied ou une table recommandés par le fabricant ou vendus avec le produit. Suivre les instructions du fabricant pour installer l'appareil et utiliser les accessoires recommandés par le fabricant.

Il convient de ne pas placer sur l'appareil de sources de flammes nues, telles que des bougies allumées.

L'appareil ne doit pas être exposé à des égouttements d'eau ou des éclaboussures et qu'aucun objet rempli de liquide tel que des vases ne doit être placé sur l'appareil.

Assurez que l'appareil est fourni de la propre ventilation.

Les dispositifs marqués d'un symbole "d'éclair" sont des parties dangereuses au toucher et que les câblages extérieurs connectés à ces dispositifs de connection extérieure doivent être effectués par un opérateur formé ou en utilisant des cordons déjà préparés.

Cordon d'Alimentation

Évitez d'endommager le cordon d'alimentation. N'UTILISEZ PAS L'APPAREIL si le cordon d'alimentation est endommagé.

Service

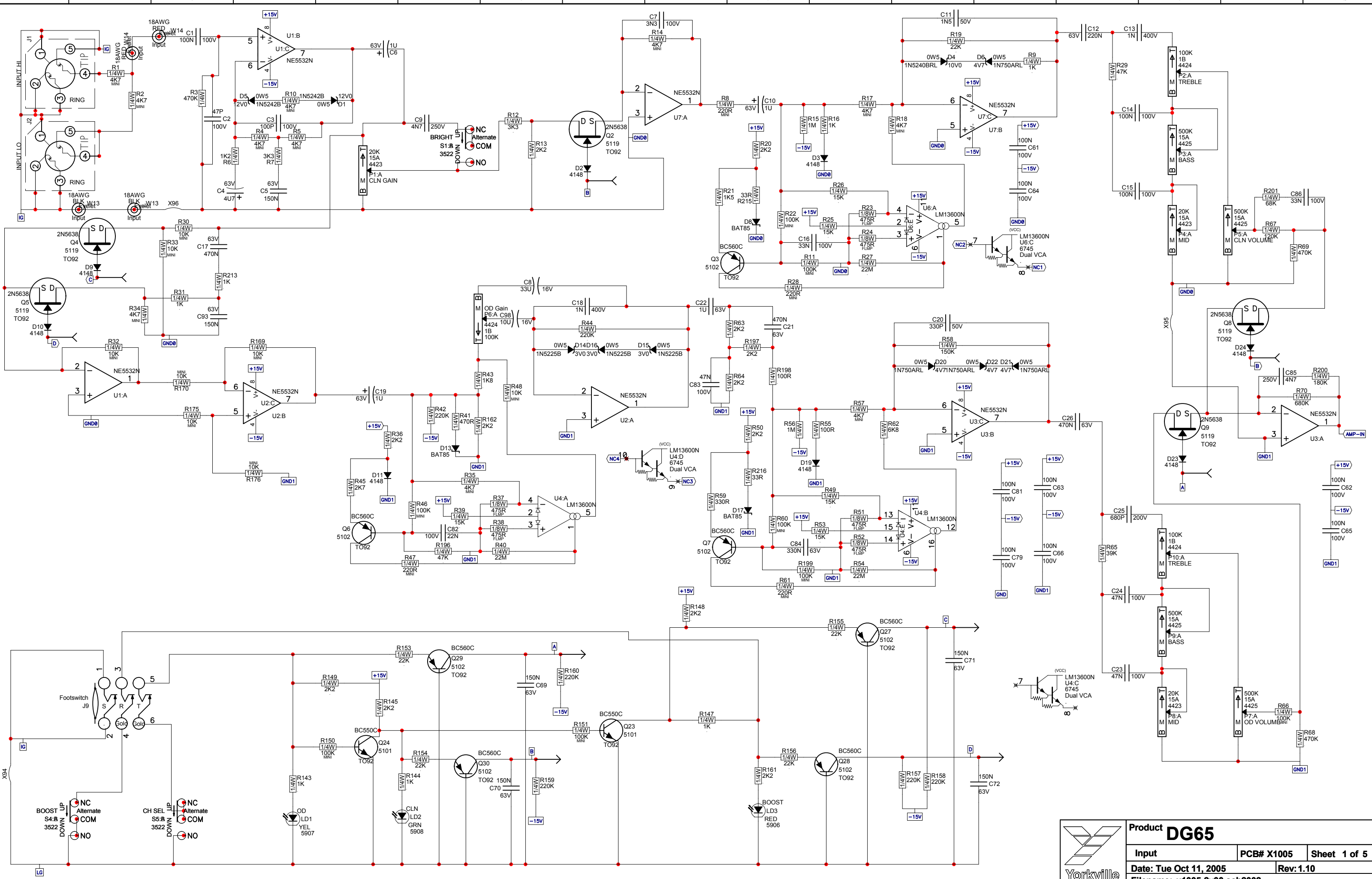
Consultez un technicien qualifié pour l'entretien de votre appareil.

DG65R Parts List 11/2/2005

YS #	Description	Qty.	YS #	Description	Qty.	YS #	Description	Qty.
5906	RED 3MM LED 1V9 20MA .4SPCER T&R	1	3921	1/4" JCK PCB MT VERT STER RT SWT	3	8785	#8 X 3/4 OVAL PH TYPE A BLACK OXIDE	18
5907	YEL 3MM LED 1V9 20MA .4SPCER T&R	1	3886	36" RCA DUAL RED-WHITE PREFAB CABLE	1	8722	#8 X 1" PAN QUAD TYPE AB B/O	4
5908	GRN 3MM LED 1V9 20MA .4SPCER T&R	2	3914	RCA SNGL PCB MT HORZ	2	8756	#10 X 3/4 PAN PH TYPE A BLACK OXIDE	3
6825	1N4148 75V 0A45 DIODE T&R	23	3451	EYELET SMALL 0.089 OD PLATED	14	8843	10-32 X 1 1/8 FLAT PH MS JS500	2
6827	1N5402 200V 3A0 DIODE	8	2403	T2A 5X20MM FUSE	1	8786	10-32 X 1 1/4 PAN QD MS JS500 BLACK	4
6934	MR854 400V 3A0 DIODE FASREC	2	8451	10" STRAP HANDLE, BLACK METAL ENDCAP	1	8936	1/4-20 X 3/4 PAN PH MS BLACK OXIDE	2
6733	BAT85 30V 0A2 DIODE SCHTKYT&R	3	8604	10-32 T NUT	6	8770	1/4-20 X 1 5/16 TRUSS PH MS JS500	2
6439	1N5225B 3V0 0W5 ZENER 5% T&R	5	3979	6POS XSISTOR TO220SPRING	1	8907	1/4-20 X 2 1/4 HEX BOLT GR 2 FUL TD	1
6440	1N750ARL 4V7 0W5 ZENER 5% T&R	6	8889	RUBBER GROMMET #2183-034-BLK	4	8905	YORKVILLE PRODUCT SCHEMATIC	1
6437	1N5237B 8V2 0W5 ZENER 5% T&R	4	3438	IEC PWR SOC W/ .205TAB & FUSE 10A250V	1	3744	SNAP IN .375 SPACER RICHO	4
6461	1N5240BRL 10V0 0W5 ZENER 5% T&R	1	3552	NYLON SPRING CLAMP	3	3833	8 X 3/8 (250 OD, .171 ID) NYLON SPACER	3
6450	1N5242B 12V0 0W5 ZENER 5% T&R	4	3810	4" NYLON CABLE TIE	7	3741	5 SPACER ID-.171 OD-.25 #912-500	4
6871	MC7915CT TO220 N 15V0 REG V2	1	8430	YCV40 CHICKEN-BEAK KNOB	5	5865	1/2 PLASTIC HEX SPACER #6	22
6872	MC7815CT TO220 P 15V0 REG V1	1	8431	YCS100 BUDGIE-BEAK KNOB	8	8657	6-32 X 3/8" HEX SPACER ALUMINUM	1
5101	BC550C TO92 NPN TRANSISTOR T&R	2	8632	ROUND PUSH BUTTON 1/4" GREY	3	7452	12" 8R 75WPG SPEAKER	1
5102	BC560C TO92 PNP TRANSISTOR T&R TB	10	8649	BUTTON KNOB FLAT BLACK	1	8482	3/8 1D FLAT WASHER	3
5103	MPSA06 TO92 NPN TRANSISTOR T&R TA	3	3428	8 3/18 SJT AC LINE CORD REMOVABLE	1	8488	3/8 INT TOOTH LOCKWASHE ZINC	3
5104	MPSA56 TO92 PNP TRANSISTOR T&R	3	8264	YBA200/YCV LOGO EMBOSSED ALUMINUM	1	8818	3/4 OD X 3/8 ID X .080 THICK WASHER	2
5107	2N5551 TO92 NPN TRNSISTR DARL T&RTA	1	8910	YORKVILLE PRODUCT MANUAL	1	8820	#8 FLAT WASHER JS500	4
5108	2N5401 TO92 PNP TRNSISTR DARL T&RTA	1	8900	YORKVILLE WARRANTY CARD 2-YR UNLTD.	1	8817	#10 FLAT WASHER FOR 3/16" BOLT	2
5106	MPSA63 TO92 PNP TRNSISTR DARL T&RTA	1	3676	8 CIR CABLE HOLDER .098	4	3436	DPDT PUSH SW PCMT H BREAK B4 MAKE	1
5119	2N5638 TO92 NCH JFET T&R TC	7	8800	6-32 KEPS NUT ZINC	8	3522	DPDT MINI PC VERT SNP ALT	3
6911	BDX54C TO220 PNP TRAN DARL TE	1	8602	1/4-20 T NUT	2	3698	SPST ROKR SW QUIK 180° AC PWR BL/BL	1
6912	BDX53C TO220 PNP TRAN DARL TE	1	8788	1/4-20 KEPS NUT ZINC	1	CH1340	DG65 120V 60HZ T'RD	1
6761	IRF9Z24N TO220 PCH MFET	1	8968	1/4-20 CAGE NUT C79 98142027	2			
6762	IRFZ34N TO220 NCH MFET	1	4017	SARCON THERMAL GASKET 3.60"X0.75"	1			
6882	TL072CP IC FET DUAL OP AMP	1	4597	22AWG STRAN TC WIR JMP	3			
6884	NE5532N IC DUAL OP AMP	8	4599	22AWG SOLID SC WIR T&R JMP	67			
6745	LM13600N IC XCONDUCTANCE AMP	2	2005	1.0W 0R47 5%FLAME PROOF T&R RES	8			
5404	.27P 100V 10%CAP T&R BEAD NPO	1	4748	2.0W 3R9 5% T&R	1			
5408	.47P 100V 10%CAP T&R BEAD NPO	1	4816	1/4W 33R 5% T&R RES	2			
5199	100P 100V 2%CAP T&R RAD CER.2"NPO	1	2041	1/4W 39R0 FUSIBLE T&R RES	2			
5410	100P 100V 10%CAP T&R BEAD NPO	1	4817	1/4W 47R 5% T&R RES	2			
5277	220P 200V 5%CAP T&R RAD CER.2"NPO	2	4652	1/2W 100R 5% T&R RES	2			
5412	220P 100V 10%CAP T&R BEAD NPO	1	4852	1/4W 100R 5% T&R RES	4			
5417	330P 50V 10%CAP T&R BEAD NPO	1	4977	1/4W 220R 5%MINI T&R RES	7			
5416	470P 50V 10%CAP T&R BEAD NPO	2	4855	1/4W 330R 5% T&R RES	1			
5420	680P 50V 10%CAP T&R BEAD NPO	1	4821	1/4W 470R 5% T&R RES	2			
5815	680P 200V 5%CAP T&R RAD CER.2"NPO	1	2028	1/8W 475R 1%FLAME PROOF T&R RES	8			
5206	.1N 400V 5%CAP T&R RAD .2"FLM	3	4891	1/4W 620R 5% T&R RES	2			
5424	.1N5 50V 10%CAP T&R BEAD Y5P	2	4873	1/4W 680R 5% T&R RES	3			
5275	.3N3 100V 5%CAP T&R RAD .2"FLM	3	2050	1/4W 1K FUSIBLE T&R RES	1			
5209	.4N7 250V 5%CAP T&R RAD .2"FLM	2	4823	1/4W 1K 5% T&R RES	9			
6451	.4N7 250V 20%CAP BLK 'Y' 10MM AC	1	4854	1/4W 1K2 5% T&R RES	3			
5210	.22N 100V 10%CAP T&R RAD .2"FLM	4	4824	1/4W 1K5 5% T&R RES	2			
6435	.22N 275V 20%CAP BLK 'X2' 15MM AC	1	4825	1/4W 1K8 5% T&R RES	1			
5222	.33N 100V 10%CAP T&R RAD .2"FLM	3	4847	1/4W 2K2 5% T&R RES	16			
5224	.47N 100V 10%CAP T&R RAD .2"FLM	5	4864	1/4W 2K7 5% T&R RES	1			
5226	.68N 100V 5%CAP T&R RAD .2"FLM	1	4826	1/4W 3K3 5% T&R RES	4			
5227	.82N 100V 5%CAP T&R RAD .2"FLM	1	4982	1/4W 4K7 5%MINI T&R RES	16			
5212	100N 63V 5%CAP T&R RAD .2"FLM	16	4828	1/4W 6K8 5% T&R RES	2			
5229	150N 63V 10%CAP T&R RAD .2"FLM	6	4863	1/4W 8K2 5% T&R RES	1			
5231	220N 63V 10%CAP T&R RAD .2"FLM	4	4983	1/4W 10K 5%MINI T&R RES	29			
5233	330N 63V 5%CAP T&R RAD .2"FLM	1	4856	1/4W 12K 5% T&R RES	1			
5234	470N 63V 10%CAP T&R RAD .2"FLM	3	4830	1/4W 15K 5% T&R RES	9			
5266	680N 250V 20%CAP BLK 'X2' 30MM AC	1	4831	1/4W 18K 5% T&R RES	2			
5254	.1U 63V 20%CAP T&R 4X7MM .2"EL	5	4832	1/4W 22K 5% T&R RES	13			
5256	.1U 63V 5%CAP T&R RAD .2"FLM	1	4840	1/4W 33K 5% T&R RES	1			
5258	.4U7 63V 20%CAP T&R 8X7MM .2"EL	1	4853	1/4W 39K 5% T&R RES	1			
5282	.10U 16V 20%CAP T&R 5X7MM .2"NP	1	4834	1/4W 47K 5% T&R RES	3			
5631	.22U 50V 20%CAP T&R 6X7MM .2"EL	2	4848	1/4W 62K 5% T&R RES	1			
5961	.33U 16V 20%CAP T&R RAD .2"NP	10	4836	1/4W 68K 5% T&R RES	3			
5616	3300U 50V 20%CAP BLK 18X35MM EL	4	6120	1/4W 100K 5%MINI T&R RES	10			
TFS-2B	TRAYNOR DUAL FOOTSWCH 10' CORD-BULK	1	4851	1/4W 120K 5% T&R RES	1			
4423	.20K 15AAUDIO 9MM P32	6	4839	1/4W 150K 5% T&R RES	2			
4424	100K 1B LIN 9MM P32	3	4849	1/4W 180K 5% T&R RES	1			
4425	500K 15AAUDIO 9MM P32	4	4841	1/4W 220K 5% T&R RES	6			
4520	.10K TRIM POT	1	4843	1/4W 470K 5% T&R RES	4			
713	25 X 20 X 50 2 MIL PLASTIC BAG	1	4880	1/4W 680K 5% T&R RES	1			
3976	SNAP ON 0.843" INSULATING BUSHING	1	4844	1/4W 1M 5% T&R RES	3			
8522	RUBBER BUMPER WITH WASHER -SMALL-	4	4845	1/4W 2M2 5% T&R RES	1			
8563	CORNER, 2 LEGS NOTCED BLK PLASTIC	8	4751	1/4W 22M 5% T&R RES	4			
3467	CLIP 205X032 14-16AWG DISC/INSUL	4	3665	.2" 8C-26AWG RIBBON CABLE 0.1"	2			
3478	CLIP 205/187X032 18-22AWG DISCO/INS	1	3537	ACC# 4EB3C1B LONG REVERB	1			
3489	CLIP 250X032 18-22AWG DISCO/INSL	1	8832	6-32 X 1/4 PAN PH TAPTITE JS500	12			
3490	CLIP 250X032 14-16AWG DISCO/INSL	2	8801	6-32 X 3/8 PAN PH TAPTITE JS500	4			
3491	CLIP 205/187X020 18-22AWG DISCO/INS	2	8829	6-32 X 3/8 FLAT PH TAPTITE BO#4 HEA	13			
3682	250 MALE PCB TAB REEL	10	8761	6-32 X 1/2 PAN PHIL MS ZINC CLEAR	4			
3498	1/4" JCK PCB MT HORZ	3	8755	#6 X 5/8 PAN PH TYPE A JS500 BLACK	2			
3528	1/4" JCK PCB MT HORZ GOLD TR	2	8828	6-32 X 3/4 PAN PH TAPTITE JS500	6			

DG65D Parts List 11/2/2005

YS #	Description	Qty.	YS #	Description	Qty.	YS #	Description	Qty.
5906	RED 3MM LED 1V9 20MA .4SPCER T&R	1	3451	EYELET SMALL 0.089 OD PLATED	14	8756	#10 X 3/4 PAN PH TYPE A BLACK OXIDE	1
5907	YEL 3MM LED 1V9 20MA .4SPCER T&R	1	2403	T2A 5X20MM FUSE	1	8843	10-32 X 1 1/8 FLAT PH MS JS500	2
5908	GRN 3MM LED 1V9 20MA .4SPCER T&R	2	8451	10" STRAP HANDLE,BLACK METAL ENDCAP	1	8786	10-32 X 1 1/4 PAN QD MS JS500 BLACK	4
6825	1N4148 75V 0A45 DIODE T&R	24	8604	10-32 T NUT	6	8936	1/4-20 X 3/4 PAN PH MS BLACK OXIDE	2
6827	1N5402 200V 3A0 DIODE	8	3896	HEATSINK WAKEFIELD 274-3AB	1	8770	1/4-20 X 1 5/16 TRUSS PH MS JS500	2
6934	MR854 400V 3A0 DIODE FASREC	2	3979	6POS XSISTOR TO220SPRING	1	8907	1/4-20 X 2 1/4 HEX BOLT GR 2 FUL TD	1
6733	BAT85 30V 0A2 DIODE SCHTKYT&R	3	8889	RUBBER GROMMET #2183-034-BLK	4	8905	YORKVILLE PRODUCT SCHEMATIC	1
6439	1N5225B 3V0 0W5 ZENER 5% T&R	5	3438	IEC PWR SOC W/.205TAB &FUSE 10A250V	1	3744	SNAP IN .375 SPACER RICHCO	4
6440	1N750ARL 4V7 0W5 ZENER 5% T&R	6	3552	NYLON SPRING CLAMP	1	3833	8 X 3/8 (250 OD,.171 ID)NY SPACER	3
6437	1N5237B 8V2 0W5 ZENER 5% T&R	4	3810	4" NYLON CABLE TIE	7	3741	.5 SPACER ID-.171 OD-.25 #912-500	4
6461	1N5240BRL 10V0 0W5 ZENER 5% T&R	1	8430	YCV40 CHICKEN-BEAK KNOB	4	3865	1/2 PLASTIC HEX SPACER #6	22
6450	1N5242B 12V0 0W5 ZENER 5% T&R	4	8431	YCS100 BUDGIE-BEAK KNOB	11	8657	6-32 X 3/8" HEX SPACER ALUMINUM	4
6738	MC7805CT TO220 P 5V0 REG V1	1	8632	ROUND PUSH BUTTON 1/4" GREY	3	7452	12" 8R 75WPG SPEAKER	1
6871	MC7915CT TO220 N 15V0 REG V2	1	8649	BUTTON KNOB FLAT BLACK	1	8482	3/8 1D FLAT WASHER	3
6872	MC7815CT TO220 P 15V0 REG V1	1	3428	8' 3/18 SJT AC LINE CORD REMOVABLE	1	8488	3/8 INT TOOTH LOCKWASHE ZINC	3
5101	BC550C TO92 NPN TRANSISTOR T&R	2	8264	YBA200/YCV LOGO EMBOSSED ALUMINUM	1	8817	#10 FLAT WASHER FOR 3/16" BOLT	2
5102	BC560C TO92 PNP TRANSISTOR T&R TB	12	8910	YORKVILLE PRODUCT MANUAL	1	3436	DPDT PUSH SW PCMT H BREAK B4 MAKE	1
5103	MPSA06 TO92 NPN TRANSISTOR T&R TA	3	8900	YORKVILLE WARRANTY CARD 2-YR UNLTD.	1	3522	DPDT MINI PC VERT SNP ALT	3
5104	MPSA56 TO92 PNP TRANSISTOR T&R	3	3599	16 SKT 25SQ 100 DIL DUAL-ENTRY	1	3698	SPST ROKR SW QUIK 180" AC PWR BL/BL	1
5107	2N5551 TO92 NPN TRNSISTR DARL T&RTA	1	3676	8 CIR CABLE HOLDER .098	4	CH1340	DG65 120V 60HZ T'R'D	1
5108	2N5401 TO92 PNP TRNSISTR DARL T&RTA	1	8800	6-32 KEPS NUT ZINC	8	4029	SEKAKU TY-2G FX BOARD	1
5106	MPSA63 TO92 PNP TRNSISTR DARL T&RTA	1	8602	1/4-20 T NUT	2			
5119	2N5638 TO92 NCH JFET T&R TC	8	8788	1/4-20 KEPS NUT ZINC	1			
6911	BDX54C TO220 PNP TRAN DARL TE	1	8898	1/4-20 CAGE NUT C79 98142027	2			
6912	BDX53C TO220 NPN TRAN DARL TE	1	4017	SARCON THERMAL GASKET 3.60"X0.75"	1			
6761	IRF9Z24N TO220 PCH MFET	1	4597	22AWG STRAN TC WIR JMP	3			
6762	IRFZ34N TO220 NCH MFET	1	4599	22AWG SOLID SC WIR T&R JMP	70			
6882	TL072CP IC FET DUAL OP AMP	1	2005	1.0W 0R47 5%FLAME PROOF T&R RES	8			
6884	NE5532N IC DUAL OP AMP	8	4748	2.0W 3R9 5% T&R	1			
6745	LM13600N IC XCONDUCTANCE AMP	2	4816	1/4W 33R 5% T&R RES	2			
5408	47P 100V 10%CAP T&R BEAD NPO	1	2041	1/4W 39R0 FUSIBLE T&R RES	2			
5410	100P 100V 10%CAP T&R BEAD NPO	1	4817	1/4W 47R 5% T&R RES	2			
5277	220P 200V 5%CAP T&R RAD CER.2"NPO	2	4652	1/2W 100R 5% T&R RES	2			
5412	220P 100V 10%CAP T&R BEAD NPO	1	4852	1/4W 100R 5% T&R RES	4			
5417	330P 50V 10%CAP T&R BEAD NPO	1	4977	1/4W 220R 5%MINI T&R RES	7			
5416	470P 50V 10%CAP T&R BEAD NPO	1	6150	1/4W 301R 1%MINI MF T&R RES	1			
5420	680P 50V 10%CAP T&R BEAD NPO	1	4855	1/4W 330R 5% T&R RES	1			
5815	680P 200V 5%CAP T&R RAD CER.2"NPO	1	4821	1/4W 470R 5% T&R RES	2			
5206	1N 400V 5%CAP T&R RAD .2"FLM	3	2028	1/8W 475R 1%FLAME PROOF T&R RES	8			
5424	1N5 50V 10%CAP T&R BEAD Y5P	2	4891	1/4W 620R 5% T&R RES	2			
5275	3N3 100V 5%CAP T&R RAD .2"FLM	2	4873	1/4W 680R 5% T&R RES	3			
5209	4N7 250V 5%CAP T&R RAD .2"FLM	2	2050	1/4W 1K FUSIBLE T&R RES	1			
6451	4N7 250V 20%CAP BLK 'Y' 10MM AC	1	4823	1/4W 1K 5% T&R RES	9			
5210	22N 100V 10%CAP T&R RAD .2"FLM	4	4854	1/4W 1K2 5% T&R RES	3			
6435	22N 275V 20%CAP BLK 'X2' 15MM AC	1	4824	1/4W 1K5 5% T&R RES	2			
5222	33N 100V 10%CAP T&R RAD .2"FLM	3	4825	1/4W 1K8 5% T&R RES	1			
5224	47N 100V 10%CAP T&R RAD .2"FLM	6	4847	1/4W 2K2 5% T&R RES	16			
5226	68N 100V 5%CAP T&R RAD .2"FLM	1	4864	1/4W 2K7 5% T&R RES	1			
5212	100N 63V 5%CAP T&R RAD .2"FLM	21	4826	1/4W 3K3 5% T&R RES	4			
5229	150N 63V 10%CAP T&R RAD .2"FLM	6	4982	1/4W 4K7 5%MINI T&R RES	17			
5231	220N 63V 10%CAP T&R RAD .2"FLM	3	4828	1/4W 6K8 5% T&R RES	2			
5233	330N 63V 5%CAP T&R RAD .2"FLM	1	4863	1/4W 8K2 5% T&R RES	1			
5234	470N 63V 10%CAP T&R RAD .2"FLM	3	4990	1/4W 8K2 5%MINI T&R RES	1			
5266	680N 250V 20%CAP BLK 'X2' 30MM AC	1	4983	1/4W 10K 5%MINI T&R RES	36			
5254	1U 63V 20%CAP T&R 4X7MM .2"EL	5	4856	1/4W 12K 5% T&R RES	1			
5256	1U 63V 5%CAP T&R RAD .2"FLM	1	4830	1/4W 15K 5% T&R RES	9			
5258	4U7 63V 20%CAP T&R 8X7MM .2"EL	1	4831	1/4W 18K 5% T&R RES	2			
5282	10U 16V 20%CAP T&R 5X7MM .2"NP	1	4832	1/4W 22K 5% T&R RES	14			
5631	22U 50V 20%CAP T&R 6X7MM .2"EL	2	4853	1/4W 39K 5% T&R RES	1			
5961	33U 16V 20%CAP T&R RAD .2"NP	11	4834	1/4W 47K 5% T&R RES	2			
5616	3300U 50V 20%CAP BLK 18X35MM EL	4	4836	1/4W 68K 5% T&R RES	3			
TFS-2B	TRAYNOR DUAL FOOTSWCH 10' CORD-BULK	1	6120	1/4W 100K 5%MINI T&R RES	12			
4589	ROT GRY 18MM 4BIT 15MM SFTP23	1	4851	1/4W 120K 5% T&R RES	1			
4423	20K 15AAUDIO 9MM P32	7	4839	1/4W 150K 5% T&R RES	1			
4424	100K 1B LIN 9MM P32	3	4849	1/4W 180K 5% T&R RES	1			
4425	500K 15AAUDIO 9MM P32	4	4841	1/4W 220K 5% T&R RES	6			
4520	10K TRIM POT	1	4843	1/4W 470K 5% T&R RES	5			
713	25 X 20 X 50 2 MIL PLASTIC BAG	1	4880	1/4W 680K 5% T&R RES	1			
3976	SNAP ON 0.843" INSULATING BUSHING	1	4844	1/4W 1M 5% T&R RES	2			
8522	RUBBER BUMPER WITH WASHER -SMALL-	4	4845	1/4W 2M2 5% T&R RES	1			
8563	CORNER, 2 LEGS NOTCED BLK PLASTIC	8	4751	1/4W 22M 5% T&R RES	4			
3467	CLIP 205X032 14-16AWG DISCO/INSUL	4	3665	.2" 8C-26AWG RIBBON CABLE 0.1"	2			
3478	CLIP 205/187X032 18-22AWG DISCO/INS	1	8799	#6 X 1/4 PAN PH TYPE B JS500	1			
3489	CLIP 250X032 18-22AWG DISCO/INSL	1	8832	6-32 X 1/4 PAN PH TAPTITE JS500	18			
3490	CLIP 250X032 14-16AWG DISCO/INSL	2	8801	6-32 X 3/8 PAN PH TAPTITE JS500	4			
3491	CLIP 205/187X020 18-22AWG DISCO/INS	2	8829	6-32 X 3/8 FLAT PH TAPTITE BO#4 HEA	13			
3682	250 MALE PCB TAB REEL	10	8761	6-32 X 1/2 PAN PHIL MS ZINC CLEAR	4			
3498	1/4" JCK PCB MT HORZ	3	8755	#6 X 5/8 PAN PH TYPE A JS500 BLACK	2			
3528	1/4" JCK PCB MT HORZ GOLD TR	2	8828	6-32 X 3/4 PAN PH TAPTITE JS500	6			
3921	1/4" JCK PCB MT VERT STER RT SWT	3	8785	#8 X 3/4 OVAL PH TYPE A BLACK OXIDE	18			



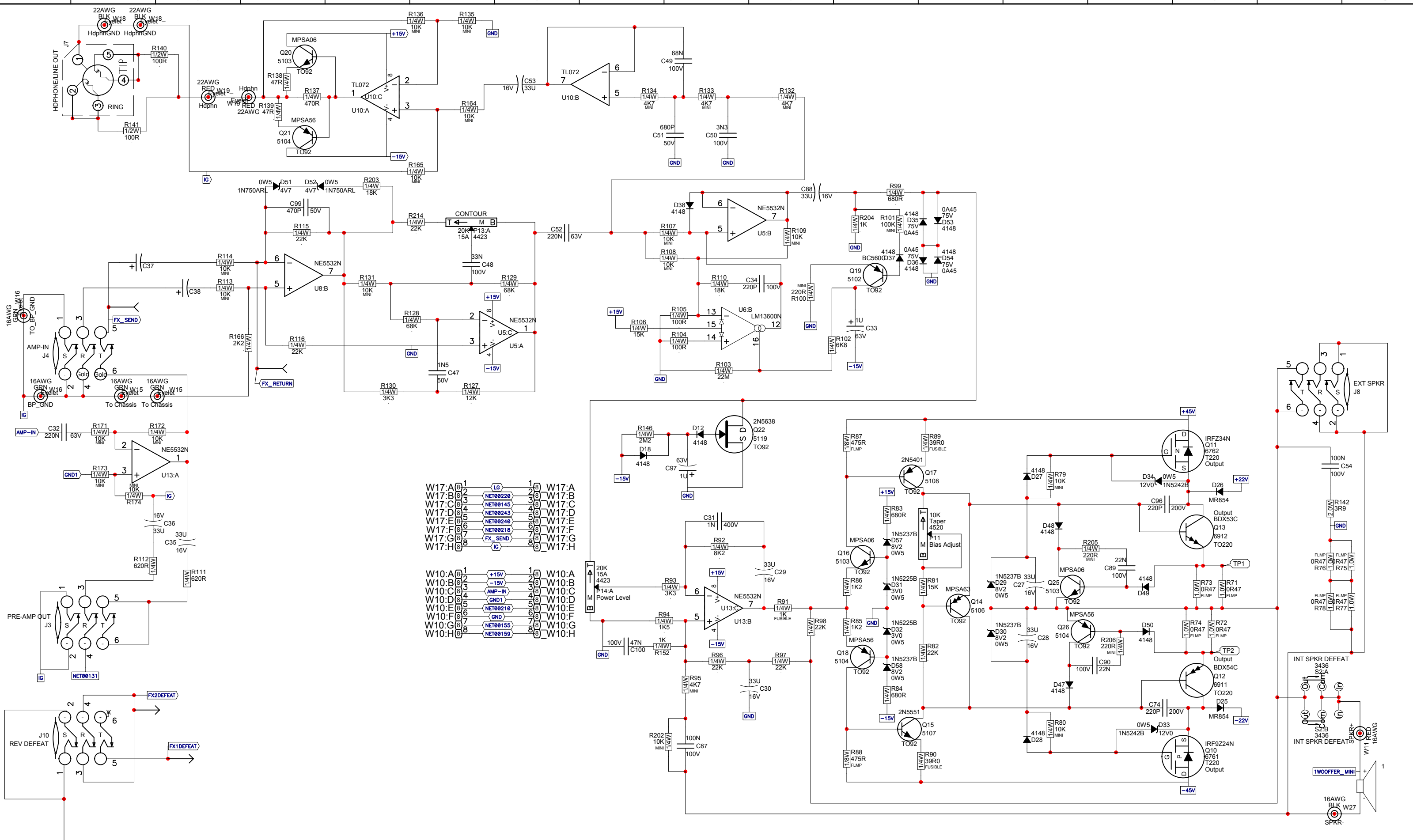
Product DG65

Input PCB# X1005 Sheet 1 of 5

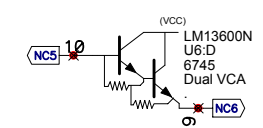
Date: Tue Oct 11, 2005 Rev: 1.10

Filename: x1005-2v00.sch2002

Yorkville



- W17:A(8) 1 LG 1 W17:A
W17:B(8) 2 NET00220 2 W17:B
W17:C(8) 3 NET00145 3 W17:C
W17:D(8) 4 NET00243 4 W17:D
W17:E(8) 5 NET00240 5 W17:E
W17:F(8) 6 NET00218 6 W17:F
W17:G(8) 7 FX_SEND 7 W17:G
W17:H(8) 8 IG 8 W17:H
- W10:A(8) 1 +15V 1 W10:A
W10:B(8) 2 -15V 2 W10:B
W10:C(8) 3 AMP-IN 3 W10:C
W10:D(8) 4 GND1 4 W10:D
W10:E(8) 5 NET00210 5 W10:E
W10:F(8) 6 GND 6 W10:F
W10:G(8) 7 NET00155 7 W10:G
W10:H(8) 8 NET00150 8 W10:H



Product DG65

PowerAmp PCB# X1005 Sheet 2 of 5

Date: Tue Oct 11, 2005 Rev: 1.10

Filename: x1005-2v00.sch2002

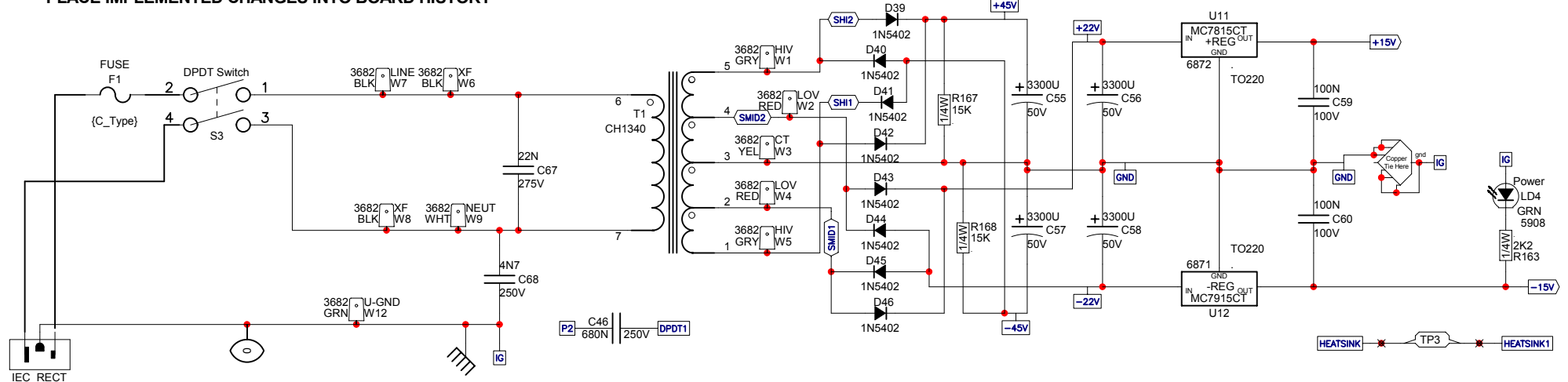
Yorkville

X1005.PCB_DATABASE_HISTORY			
MODEL(S):- DG65D, DG65R			
#	DATE	VER#	DESCRIPTION OF CHANGE
1	6 July, 2005	v1.00	1st production release
2	.	.	Complete force update with attributes
3	13 July, 2005	v1.01	R177 - 300r5% --> #6150 301r1%
4	.	.	Corrected small heatsink - #3896
5	.	.	C42 - 100P/10000V --> #5199 100P/100V
6	15 July, 2005	v1.02	Corrected SPKR- eyelet label. Moved some refdes.
7	25 July, 2005	v1.03	Replaced 6777,6778 FETs with 6761,6762
8	.	.	Moved break away from input pcb strain relief
9	23 Aug, 2005	1.10	Update switches and buttons for painted hole size.
10	.	.	Delete 'dummy' XF tab
11	06-OCT-2005	2.00	PC#6999:GT:W27&W11 SPKR EYELETS TO BLK & RED
12	.	.	PC7001:m1228 DG65R ONLY:R125 #4841 220K->#4848 62K
13	.	.	R92 #4902 24K-> #4863 8K2
1	.	.	PC7002:m1229 DG65D ONLY: R187 4982 4K7->4983 10K,
2	.	.	X189 4599 JMPR->R189 4982 4K7,R192 4981 1K->4990 8K2,
3	.	.	R166 4850 3K9->4847 2K2,R92 4902 24K->4863 8K2,R146
4	.	.	4844 1M->4845 2M2
5	D	V	N
6	D	V	N
7	D	V	N
8	D	V	N
9	D	V	N
10	D	V	N
11	D	V	N
12	D	V	N
13	D	V	N

X1005 Drill History			
MODEL(S):- DG65D, DG65R			
#	DATE	VER#	DESCRIPTION OF CHANGE
1	OCT-06-2005	V02	REMOVED DUMMY TAB AND MOVED INPUT BREAKAWAY
2	D	V	N
3	D	V	N
4	D	V	N
5	D	V	N
6	D	V	N

X1005 PENDING CHANGES		
MODEL(S):- MODEL		
#	PC#	PENDING CHANGE
1	PC	X
2	PC	X
3	PC	X
4	PC	X
5	PC	X
6	PC	X

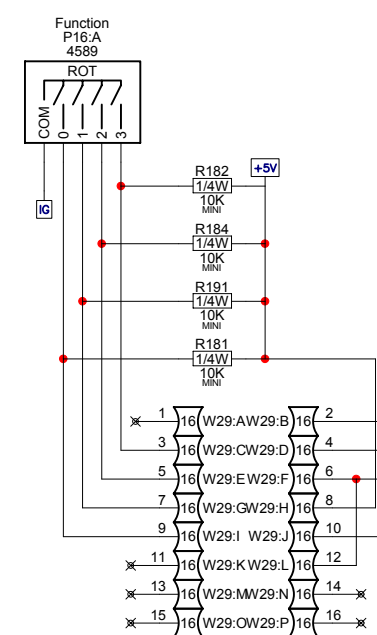
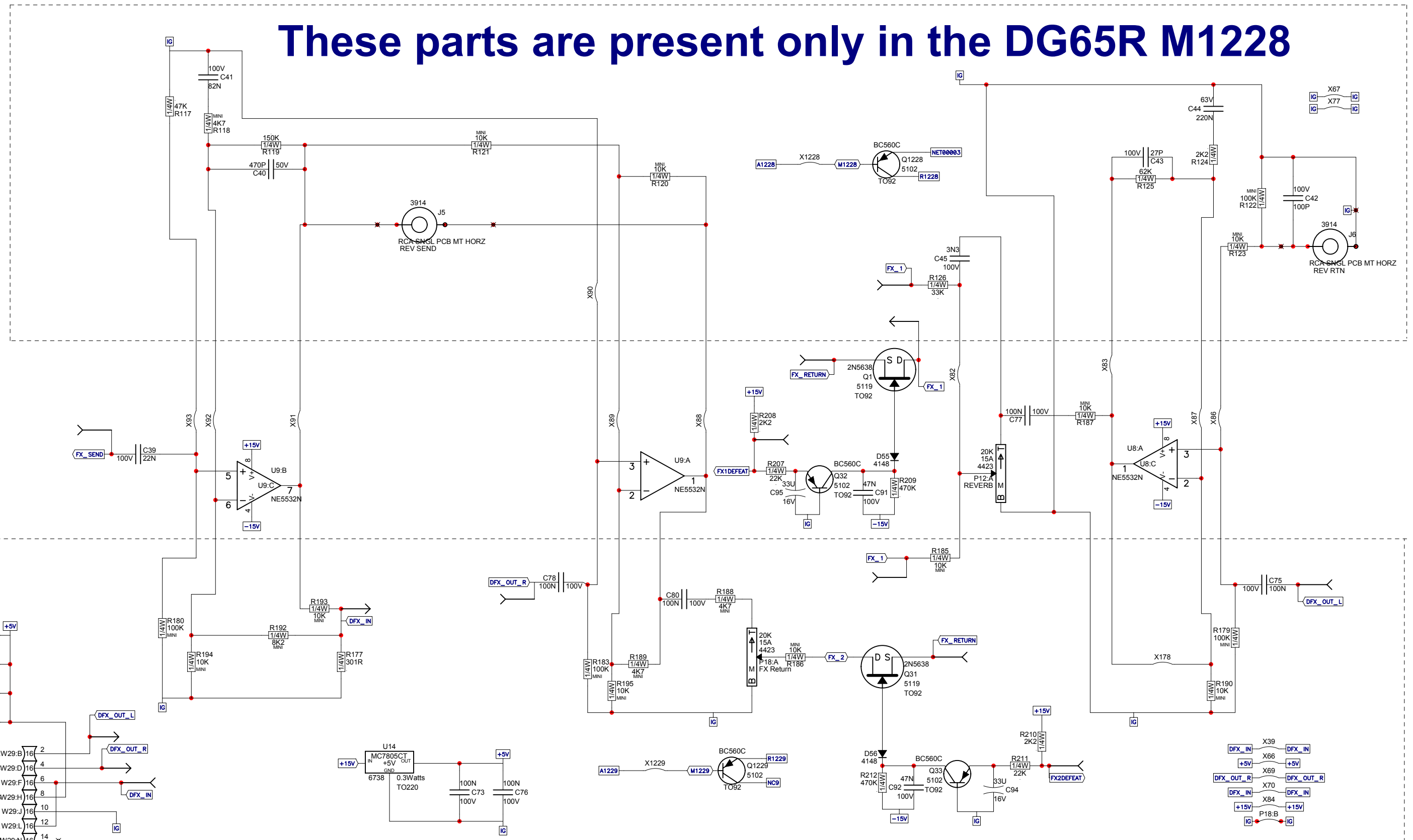
*PLACE IMPLEMENTED CHANGES INTO BOARD HISTORY



EC5

X1005 Pots				
MODEL(S):- DG65D, DG65R				
REF	FUNCTION	PART#	KNOB	{NEW}
P1	func	4555	3333	N
P2	TREBLE	4424	8431	N
P3	BASS	4425	8431	N
P4	MID	4423	8431	N
P5	CLN VOLUME	4425	8430	N
P6	OD Gain	4424	8430	N
P7	OD VOLUME	4425	8430	N
P8	MID	4423	8431	N
P9	BASS	4425	8431	N
P10	TREBLE	4424	8431	N
P13	CONTOUR	4423	8431	N
P14	Power Level	4423	8431	N
DG65R only				
P12	REVERB	4423	8430	N
DG65D only				
P12	REVERB	4423	8431	N
P16	FX Select	4589	8431	N
P18	FX Return	4423	8431	N
R	F	P	K	N
R	F	P	K	N
R	F	P	K	N
R	F	P	K	N
R	F	P	K	N
R	F	P	K	N

These parts are present only in the DG65R M1228

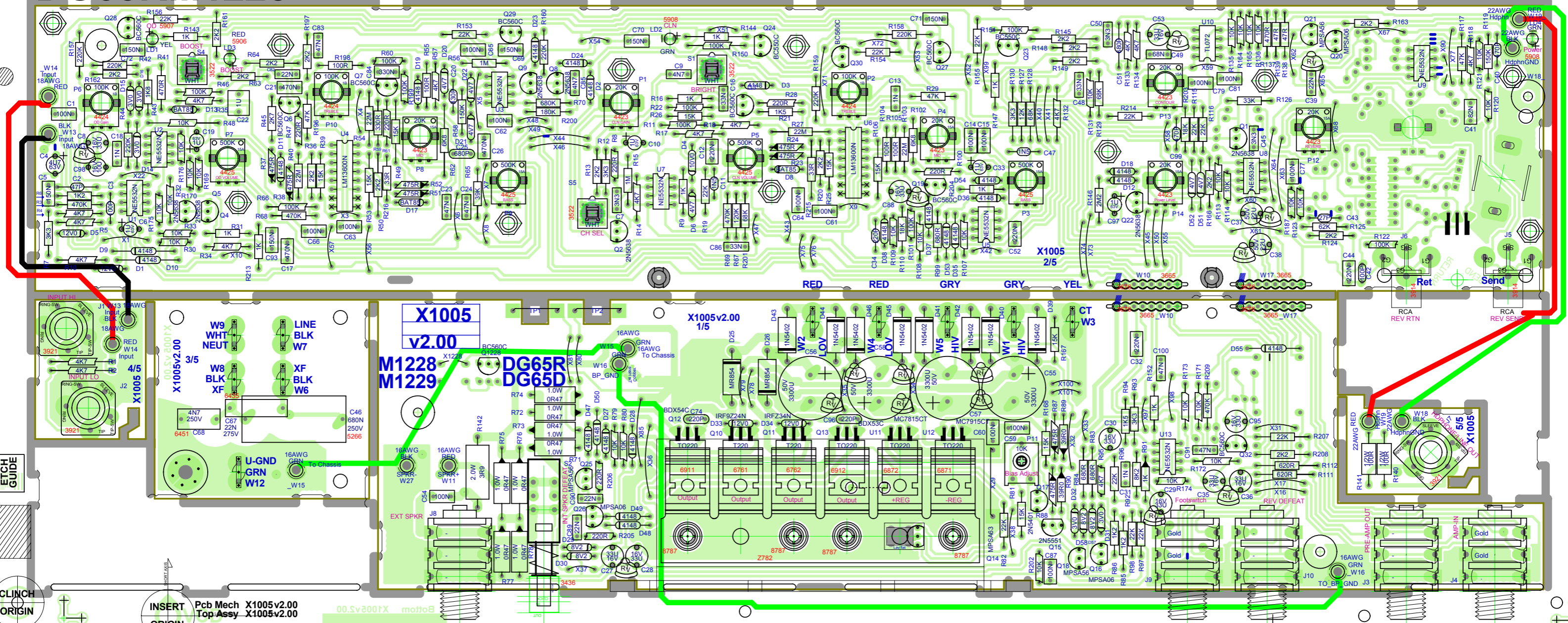


These parts are present only in the DG65D M1229

DG65RM1228

StepAndRepeat - X1@0.0Y2@7.650

BlankSize - 18000x15300



ETCH GUIDE
CLINCH ORIGIN
INSERT ORIGIN

Pcb Mech X1005v2.00
Top Assy X1005v2.00

X1005.PCB_DATABASE_HISTORY		
MODEL(S):-	DG65D, DG65R	
#	DATE	DESCRIPTION OF CHANGE
1	6 July, 2005	v1.00 1st production release
2		Complete force update with attributes
3	13 July, 2005	v1.01 R177 - 300r5% --> #6150 301r1%
4		Corrected small heatsink - #3896
5		C42 - 100P/1000V --> #5199 100P/100V
6	15 July, 2005	v1.02 Corrected SPKR- eyelet label. Moved some refdes.
7	25 July, 2005	v1.03 Replaced 6777,6778 FETs with 6761,6762
8		Moved break away from input pcb strain relief
9	23 Aug, 2005	1.10 Update switches and buttons for painted hole size.
10		Delete 'dummy' XF tab
11	06-OCT-2005	2.00 PC#6999:GT:W27&W11 SPKR EYELETS TO BLK & RED
12		PC7001:m1228 DG65R ONLY:R125 #4841 220K->#4848 62K
13		R92 #4902 24K-> #4863 8K2
1		PC7002:m1229 DG65D ONLY: R187 4982 4K7->4983 10K,
2		X189 4599 JMPR->R189 4982 4K7,R192 4981 1K->4990 8K2
3		R166 4850 3K9->4847 2K2,R92 4902 24K->4863 8K2,R146
4		4844 1M->4845 2M2
5		
6		
7		
8		
9		
10		
11		
12		
13		

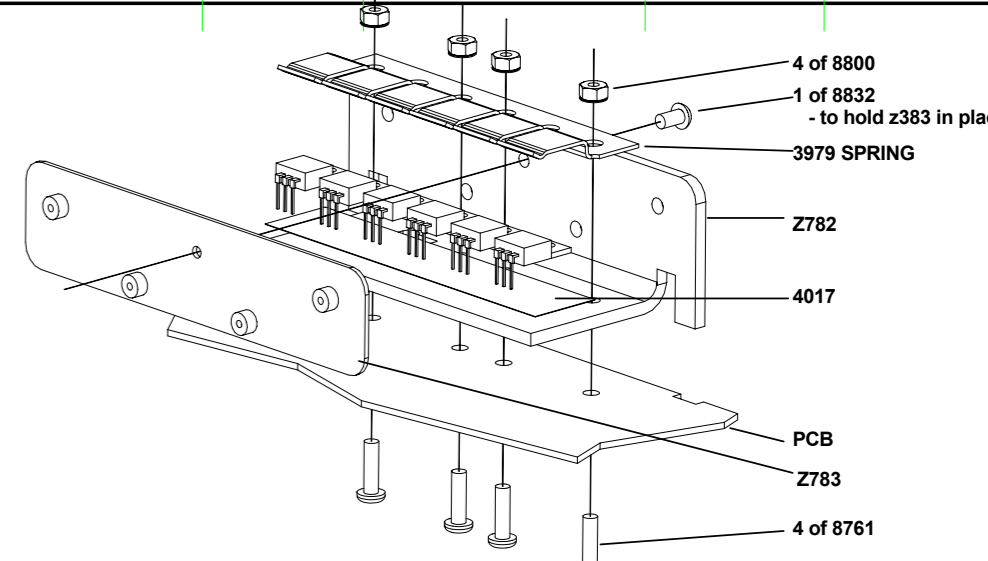
X1005 Pots				
MODEL(S):-	DG65D, DG65R			
REF	FUNCTION	PART#	KNOB	{NEW}
P1	CLN GAIN	4423	8430	N
P2	TREBLE	4424	8431	N
P3	BASS	4425	8431	N
P4	MID	4423	8431	N
P5	CLN VOLUME	4425	8430	N
P6	OD Gain	4424	8430	N
P7	OD VOLUME	4425	8430	N
P8	MID	4423	8431	N
P9	BASS	4425	8431	N
P10	TREBLE	4424	8431	N
P13	CONTOUR	4423	8431	N
P14	Power Level	4423	8431	N
DG65R only				
P12	REVERB	4423	8430	N
DG65D only				
P12	REVERB	4423	8431	N
P16	FX Select	4589	8431	N
P18	FX Return	4423	8431	N
R	F	P	K	N
R	F	P	K	N
R	F	P	K	N
R	F	P	K	N
R	F	P	K	N
R	F	P	K	N

X1005 Drill History		
MODEL(S):-	DG65D, DG65R	
#	DATE	DESCRIPTION OF CHANGE
1	OCT-06-2005	V02 REMOVED DUMMY TAB AND MOVED INPUT BREAKAWAY
2	D	V
3	D	N
4	D	V
5	D	N
6	D	N
X1005 PENDING CHANGES		
MODEL(S):-	{MODEL}	
#	PC#	PENDING CHANGE
1	PC	X
2	PC	X
3	PC	X
4	PC	X
5	PC	X
6	PC	X

PLACE IMPLEMENTED CHANGES INTO BOARD HISTORY

PRODUCTION NOTES

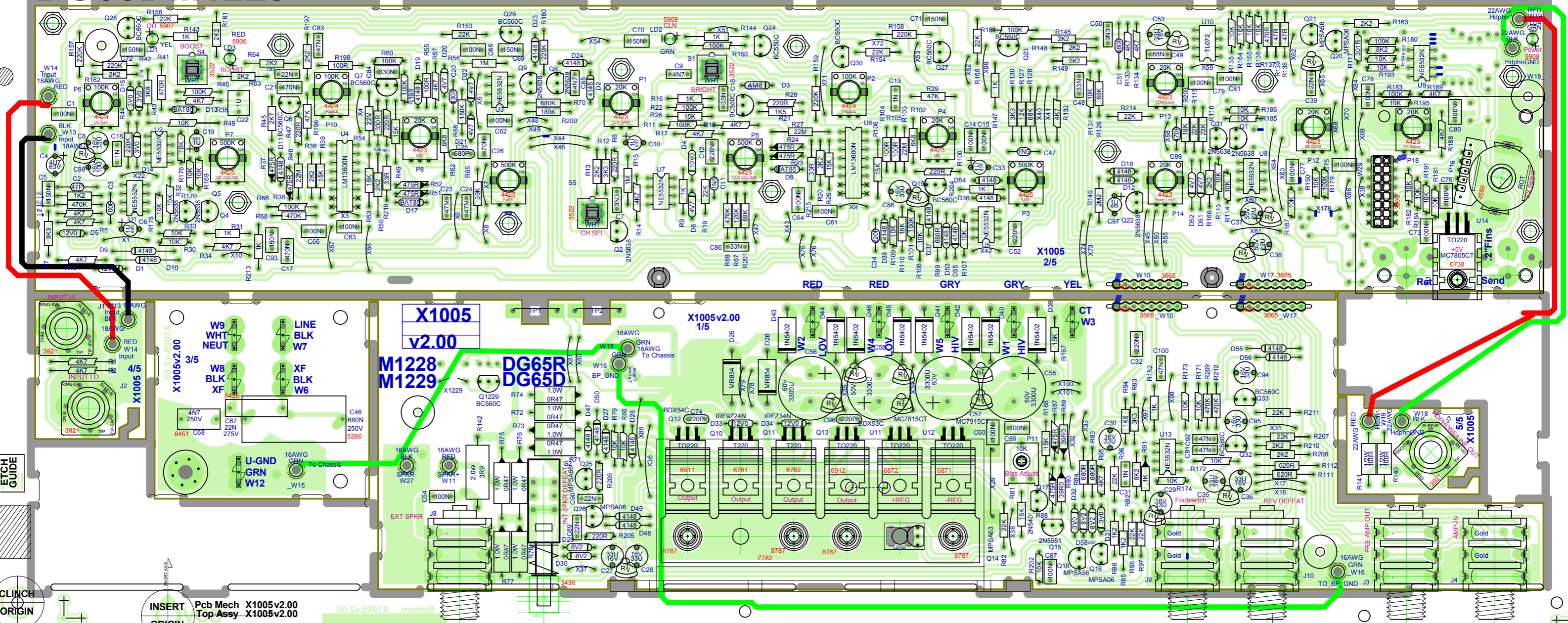
1. BEND Q14 FLAT INTO THE ROUTED HOLE BEFORE MOUNTING THE HEATSPREADER.



DG65DM1229

StepAndRepeat - X1@0.0Y2@7.650

BlankSize - 18000x15300



ETCH GUIDE
CLINCH ORIGIN
INSERT ORIGIN

Pcb Mech X1005v2.00
Top Assy X1005v2.00

X1005.PCB_DATABASE_HISTORY		
MODEL(S):-	DG65D, DG65R	
#	DATE	VER# DESCRIPTION OF CHANGE
1	6 July, 2005	v1.00 1st production release
2		v1.01 Complete force update with attributes
3	13 July, 2005	v1.01 R177 - 300r5% --> #6150 301r1%
4		v1.02 Corrected small heatsink - #3896
5		v1.02 C42 - 100P/1000V --> #5199 100P/100V
6	15 July, 2005	v1.02 Corrected SPKR- eyelet label. Moved some refdes.
7	25 July, 2005	v1.03 Replaced 6777,6778 FETs with 6761,6762
8		v1.10 Moved break away from input pcb strain relief
9	23 Aug, 2005	1.10 Update switches and buttons for painted hole size.
10		2.00 Delete 'dummy' XF tab
11	06-OCT-2005	2.00 PC#6999:GT:W27&W11 SPKR EYELETS TO BLK & RED
12		2.00 PC7001:m1228 DG65R ONLY:R125 #4841 220K->#4848 62K
13		2.00 R92 #4902 24K-> #4863 8K2
1		PC7002:m1229 DG65D ONLY: R187 4982 4K7->4983 10K,
2		X189 4599 JMPR->R189 4982 4K7,R192 4981 1K->4990 8K2
3		R166 4850 3K9->4847 2K2,R92 4902 24K->4863 8K2,R146
4		4844 1M->4845 2M2
5	D	N
6	D	N
7	D	N
8	D	N
9	D	N
10	D	N
11	D	N
12	D	N
13	D	N

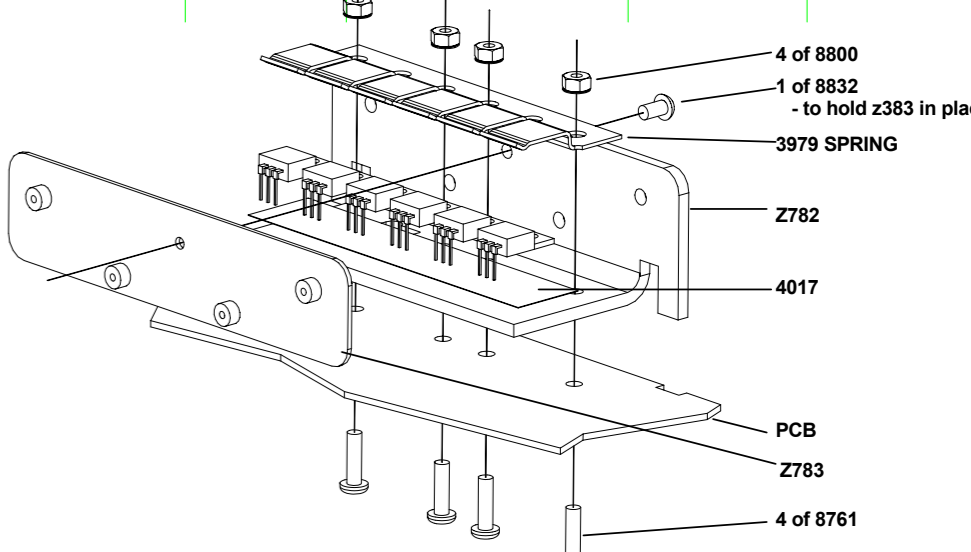
X1005 Pots				
MODEL(S):-	DG65D, DG65R			
REF	FUNCTION	PART#	KNOB	{NEW}
P1	CLN GAIN	4423	8430	N
P2	TREBLE	4424	8431	N
P3	BASS	4425	8431	N
P4	MID	4423	8431	N
P5	CLN VOLUME	4425	8430	N
P6	OD Gain	4424	8430	N
P7	OD VOLUME	4425	8430	N
P8	MID	4423	8431	N
P9	BASS	4425	8431	N
P10	TREBLE	4424	8431	N
P13	CONTOUR	4423	8431	N
P14	Power Level	4423	8431	N
DG65R only				
P12	REVERB	4423	8430	N
DG65D only				
P12	REVERB	4423	8431	N
P16	FX Select	4589	8431	N
P18	FX Return	4423	8431	N
R	F	P	K	N
R	F	P	K	N
R	F	P	K	N
R	F	P	K	N
R	F	P	K	N
R	F	P	K	N
R	F	P	K	N

X1005 Drill History		
MODEL(S):-	DG65D, DG65R	
#	DATE	VER# DESCRIPTION OF CHANGE
1	OCT-06-2005	V02 REMOVED DUMMY TAB AND MOVED INPUT BREAKAWAY
2	D	V
3	D	N
4	D	N
5	D	N
6	D	N
X1005 PENDING CHANGES		
MODEL(S):-	{MODEL}	
#	PC#	PENDING CHANGE
1	PC	X
2	PC	X
3	PC	X
4	PC	X
5	PC	X
6	PC	X

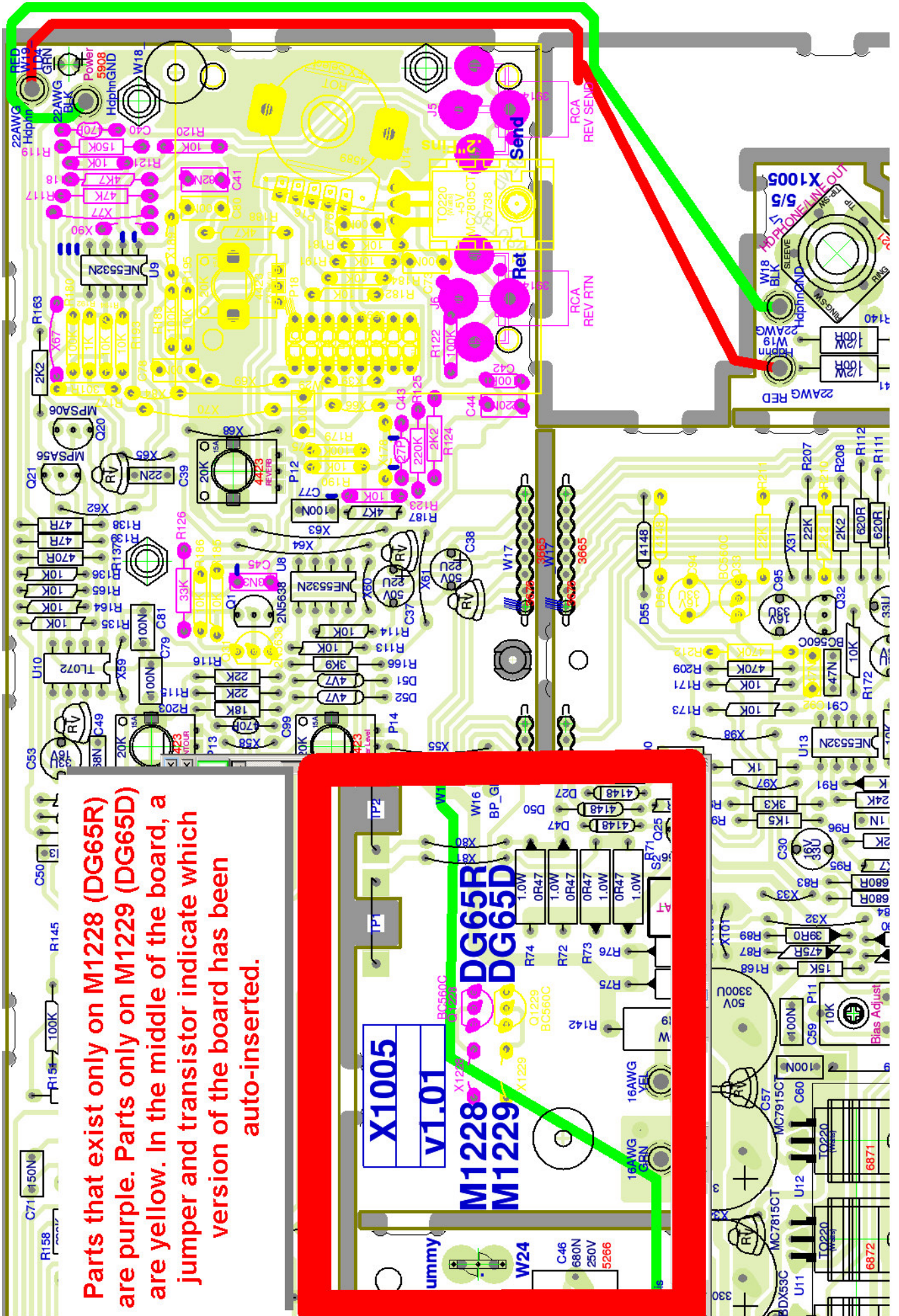
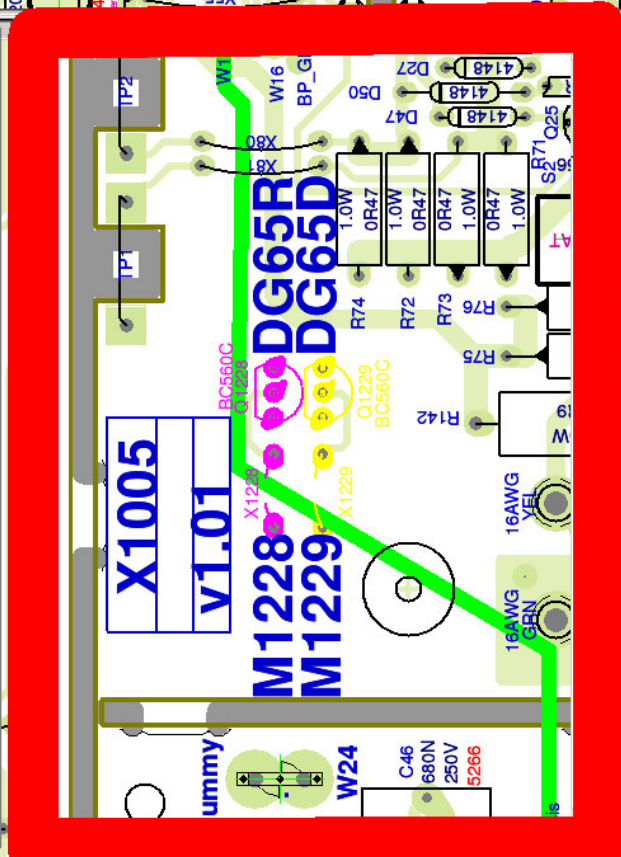
PLACE IMPLEMENTED CHANGES INTO BOARD HISTORY

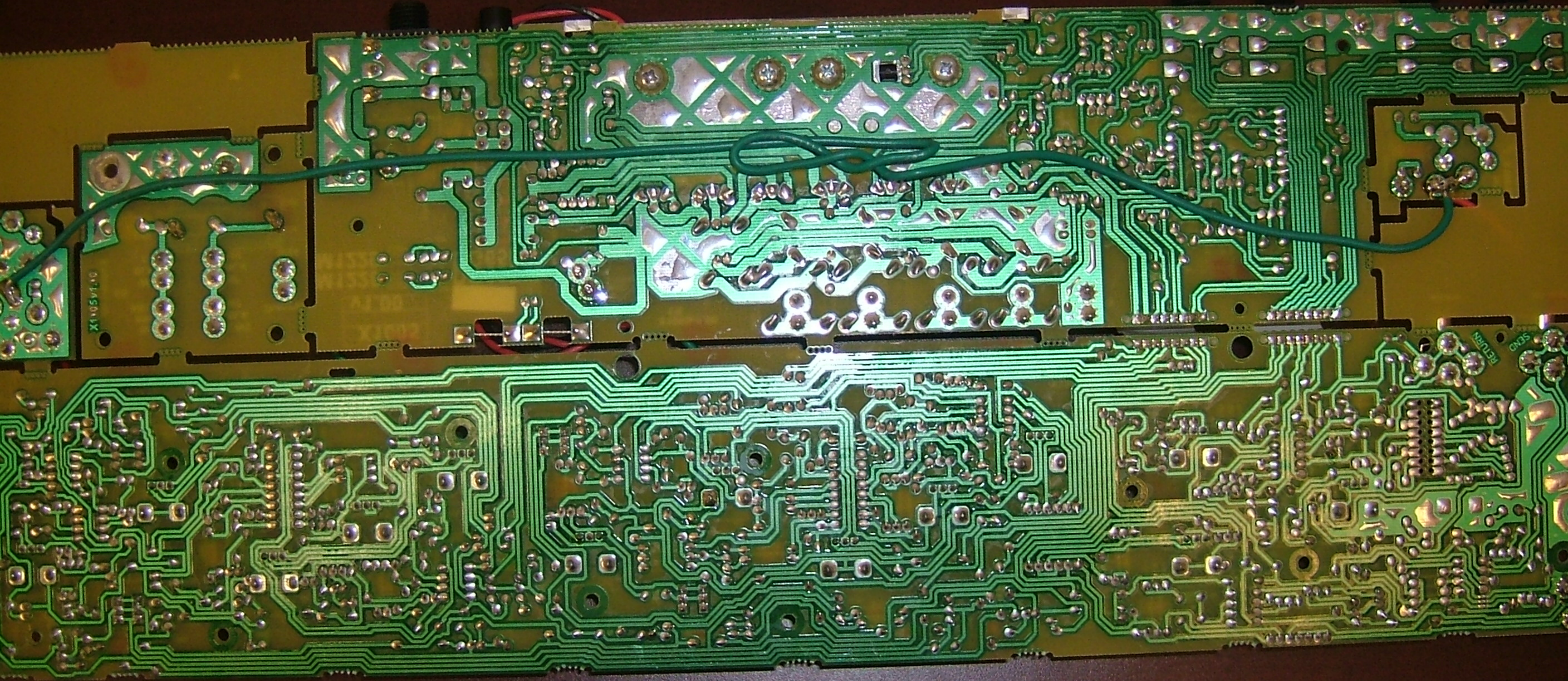
PRODUCTION NOTES

1. BEND Q14 FLAT INTO THE ROUTED HOLE BEFORE MOUNTING THE HEATSPREADER.



Parts that exist only on M1228 (DG65R) are purple. Parts only on M1229 (DG65D) are yellow. In the middle of the board, a jumper and transistor indicate which version of the board has been auto-inserted.





X1405V140

RETURN
CN35

DG65D, R Wiring Diagram

