



SERVICE MANUAL

TYPE: YS1006

YCV20 - Series 2 Traynor Custom Valve 20

WEB ACCESS: <http://www.yorkville.com>

WORLD HEADQUARTERS CANADA

Yorkville Sound
550 Granite Court
Pickering, Ontario
L1W-3Y8 CANADA

Voice: (905) 837-8481
Fax: (905) 837-8746

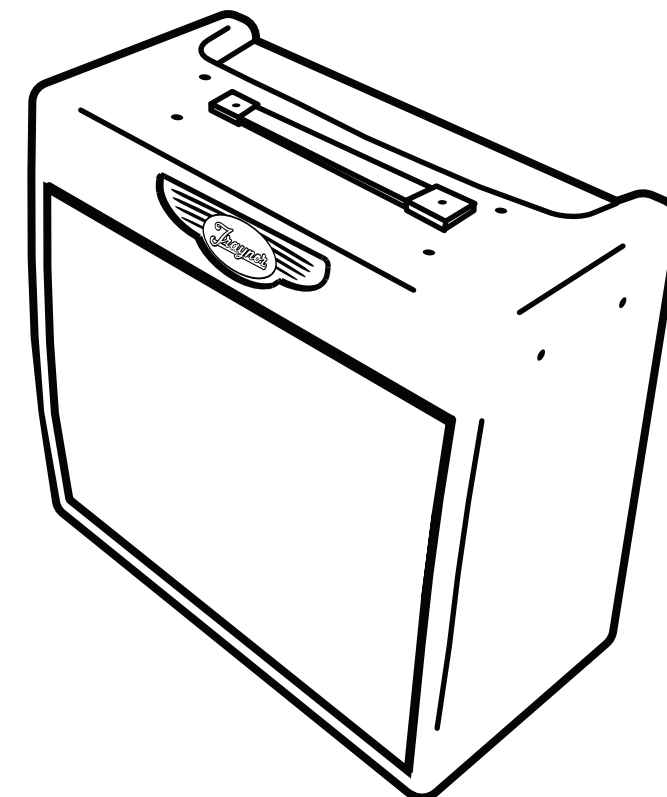
U.S.A.

Yorkville Sound Inc.
4625 Witmer Industrial Estate
Niagara Falls, New York
14305 USA

Voice: (716) 297-2920
Fax: (716) 297-3689



Quality and Innovation Since 1963
Printed in Canada



IMPORTANT SAFETY INSTRUCTIONS



INSTRUCTIONS PERTAINING TO A RISK OF FIRE, ELECTRIC SHOCK, OR INJURY TO PERSONS

INSTRUCTIONS RELATIVES AU RISQUE DE FEU, CHOC ÉLECTRIQUE, OU BLESSURES AUX PERSONNES

CAUTION:

TO REDUCE THE RISK OF ELECTRIC SHOCK, DO NOT REMOVE COVER (OR BACK).

NO USER SERVICEABLE PARTS INSIDE.

REFER SERVICING TO QUALIFIED SERVICE PERSONNEL.

AVIS:

AFIN DE REDUIRE LES RISQUE DE CHOC ELECTRIQUE, N'ENLEVEZ PAS LE COUVERT (OU LE PANNEAU ARRIERE)

NE CONTIENT AUCUNE PIECE REPARABLE PAR L'UTILISATEUR.

CONSULTEZ UN TECHNICIEN QUALIFIE POUR L'ENTRETIEN

Read Instructions

The Owner's Manual should be read and understood before operation of your unit. Please, save these instructions for future reference.

Packaging

Keep the box and packaging materials, in case the unit needs to be returned for service.

Warning

When using electric products, basic precautions should always be followed, including the following:

Power Sources

Your unit should be connected to a power source only of the voltage specified in the owners manual or as marked on the unit. This unit has a polarized plug. Do not use with an extension cord or receptacle unless the plug can be fully inserted. Precautions should be taken so that the grounding scheme on the unit is not defeated.

Hazards

Do not place this product on an unstable cart, stand, tripod, bracket or table. The product may fall, causing serious personal injury and serious damage to the product. Use only with cart, stand, tripod, bracket, or table recommended by the manufacturer or sold with the product. Follow the manufacturer's instructions when installing the product and use mounting accessories recommended by the manufacturer.

The apparatus should not be exposed to dripping or splashing water; no objects filled with liquids should be placed on the apparatus.

Terminals marked with the "lightning bolt" are hazardous live; the external wiring connected to these terminals require installation by an instructed person or the use of ready made leads or cords.

Ensure that proper ventilation is provided around the appliance.

No naked flame sources, such as lighted candles, should be placed on the apparatus.

Power Cord

The AC supply cord should be routed so that it is unlikely that it will be damaged. If the AC supply cord is damaged DO NOT OPERATE THE UNIT.

Service

The unit should be serviced only by qualified service personnel.

Veillez Lire le Manuel

Il contient des informations qui devraient être comprises avant l'opération de votre appareil. Conservez S.V.P. ces instructions pour consultations ultérieures.

Emballage

Conservez la boîte au cas où l'appareil devait être retourner pour réparation.

Attention:

Lors de l'utilisation de produits électrique, assurez-vous d'adhérer à des précautions de bases incluant celle qui suivent:

Alimentation

L'appareil ne doit être branché qu'à une source d'alimentation correspondant au voltage spécifié dans le manuel ou tel qu'indiqué sur l'appareil. Cet appareil est équipé d'une prise d'alimentation polarisée. Ne pas utiliser cet appareil avec un cordon de raccordement à moins qu'il soit possible d'insérer complètement les trois lames. Des précautions doivent être prises afin d'éviter que le système de mise à la terre de l'appareil ne soit désengagé.

Risque

Ne pas placer cet appareil sur un chariot, un support, un trépied ou une table instables. L'appareil pourrait tomber et blesser quelqu'un ou subir des dommages importants. Utiliser seulement un chariot, un support, un trépied ou une table recommandés par le fabricant ou vendus avec le produit. Suivre les instructions du fabricant pour installer l'appareil et utiliser les accessoires recommandés par le fabricant.

Il convient de ne pas placer sur l'appareil de sources de flammes nues, telles que des bougies allumées.

L'appareil ne doit pas être exposé à des égouttements d'eau ou des éclaboussures et qu'aucun objet rempli de liquide tel que des vases ne doit être placé sur l'appareil.

Assurez que l'appareil est fourni de la propre ventilation.

Les dispositifs marqués d'un symbole "d'éclair" sont des parties dangereuses au toucher et que les câblages extérieurs connectés à ces dispositifs de connection extérieure doivent être effectués par un opérateur formé ou en utilisant des cordons déjà préparés.

Cordon d'Alimentation

Évitez d'endommager le cordon d'alimentation. N'UTILISEZ PAS L'APPAREIL si le cordon d'alimentation est endommagé.

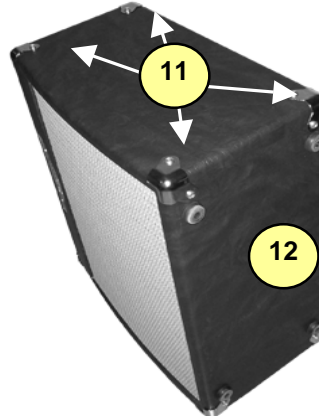
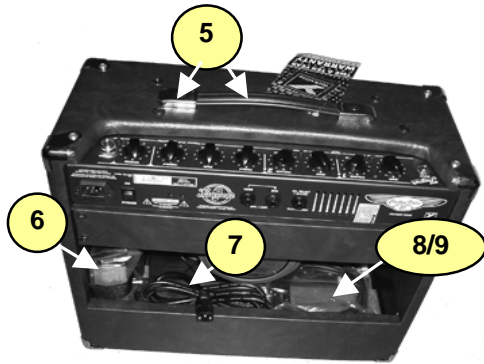
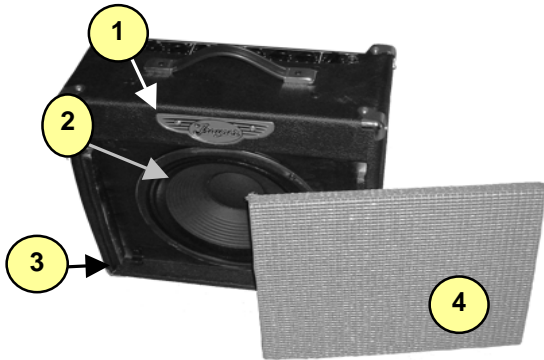
Service

Consultez un technicien qualifié pour l'entretien de votre appareil.



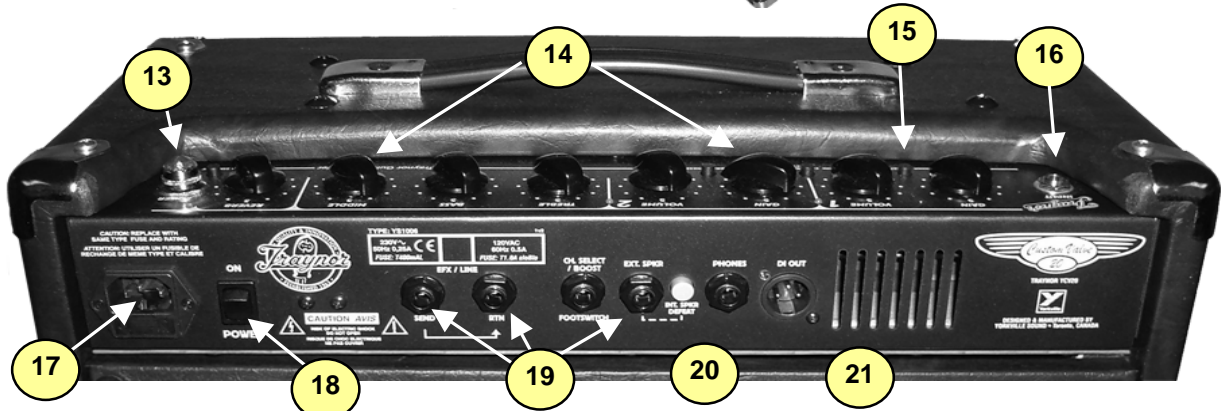
YCV20

Traynor Guitar Series
Series 2 (incl. WR version)



22/23 TUBES

24 Wine Red Version Speaker



#	Part#	Description
Labeled Components		
1	8260	TRAYNOR LOGO
2	7079	12" 8R 50WPGM SPEAKER CELESTIO
3	8461	TRIM CLIP (PLATED BLK ZINC)
4	Z354	YCV20 GRILLE* (‡ current model only)
5	8456	10.0" STRAP HANDLE, NICKEL COVERS
6	TFS-2B	TRAYNOR DUAL FOOTSWCH 10' CORD
7	3428	AC LINE CORD - #3474(EURO)
8	3537	ACC# 4EB3C1B LONG REVERB
9	3890	36" PREFAB. CABLE (RED/BLACK)
10	8770	1/4-20 X 1 5/16 TRUSS PH MS JS5
11	8504	CORNER, 2 LEGS NOTCED LIP NICKEL PLATED
12	8521	RUBBER BUMPER WITH WASHER VERYS
13	6397	JEWELLED PILOT LAMP AMBER REG
14	8430	CHICKEN-BEAK KNOB
15	8633	ROUND PUSH BUTTON 1/4" BLACK
16	3921	1/4" JCK PCB MT VERT STER RT SWT
17	3438	230 AC RECEPTACLE FUSE & 250 T
18	3698	SPST ROKR SW QUIK 180° AC PWR B
19	3450 & 3450NUT	1/4" ALL GOLD PC MNT JK SKT
20	3436/8661	DPDT PUSH SW B4 MAKE/BUTTON KNOB GREY
21	3923	XLR MALE PCB MT HORZ MTHOLE-V SNAP
22	7025A OR 7025B	12AX7 DUAL TRIODE PREAMP TUBE
23	6BQ5	6BQ5 PENTODE OUTPUT TUBE
24	7078	(WINE) 12" 8R 25WPGM SPEAKER CELESTION
25	3552	NYLON SPRING CLAMP

*NOTE: Replacement grilles are 'Special-Order' and are only available while the model is in production.

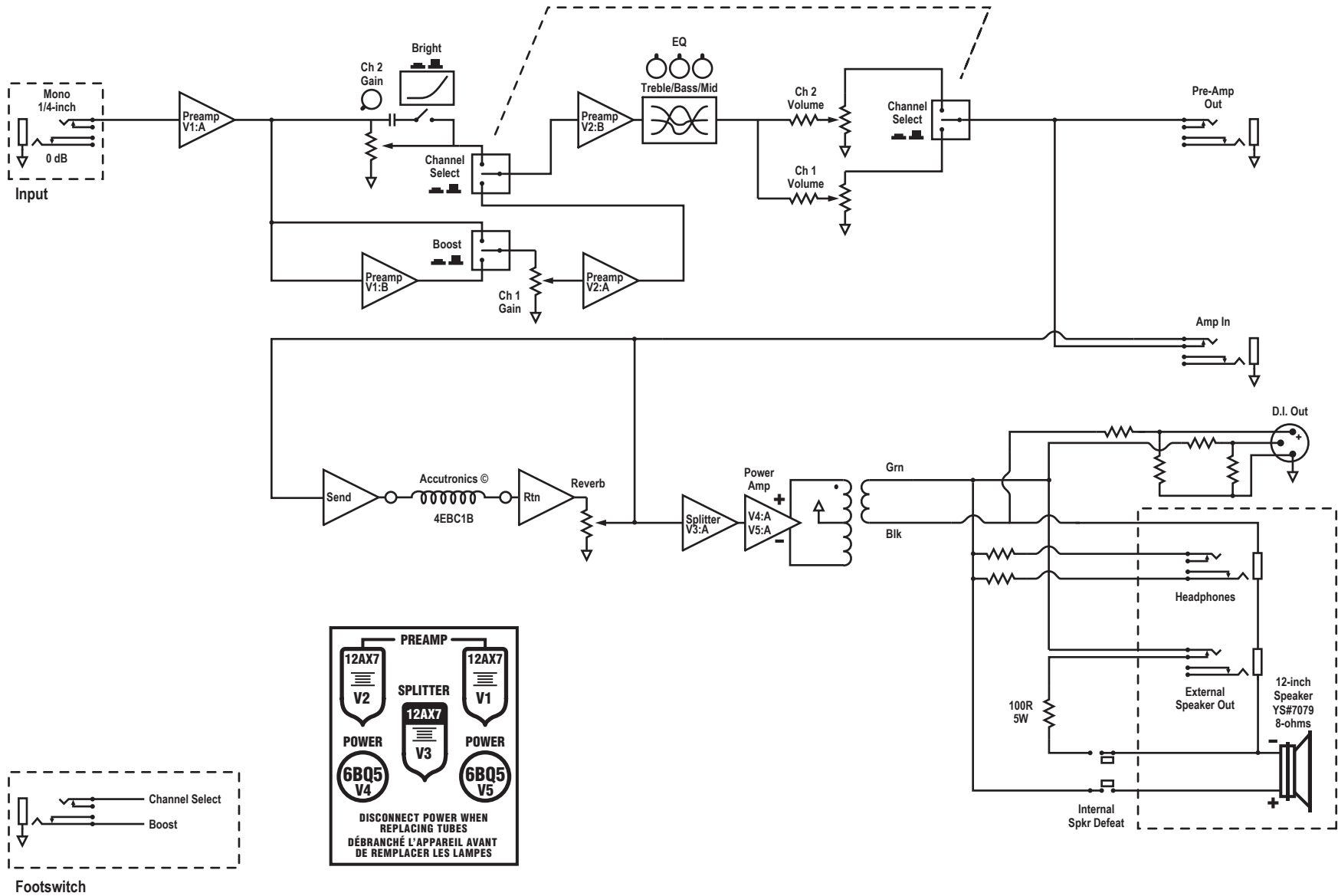
‡ Grilles & support replacements are for CURRENT models only

**Real Gear.
Real People.**

TYPE: YS1006

Block Diagram for YCV20 II

DESIGNED AND MANUFACTURED BY YORKVILLE SOUND

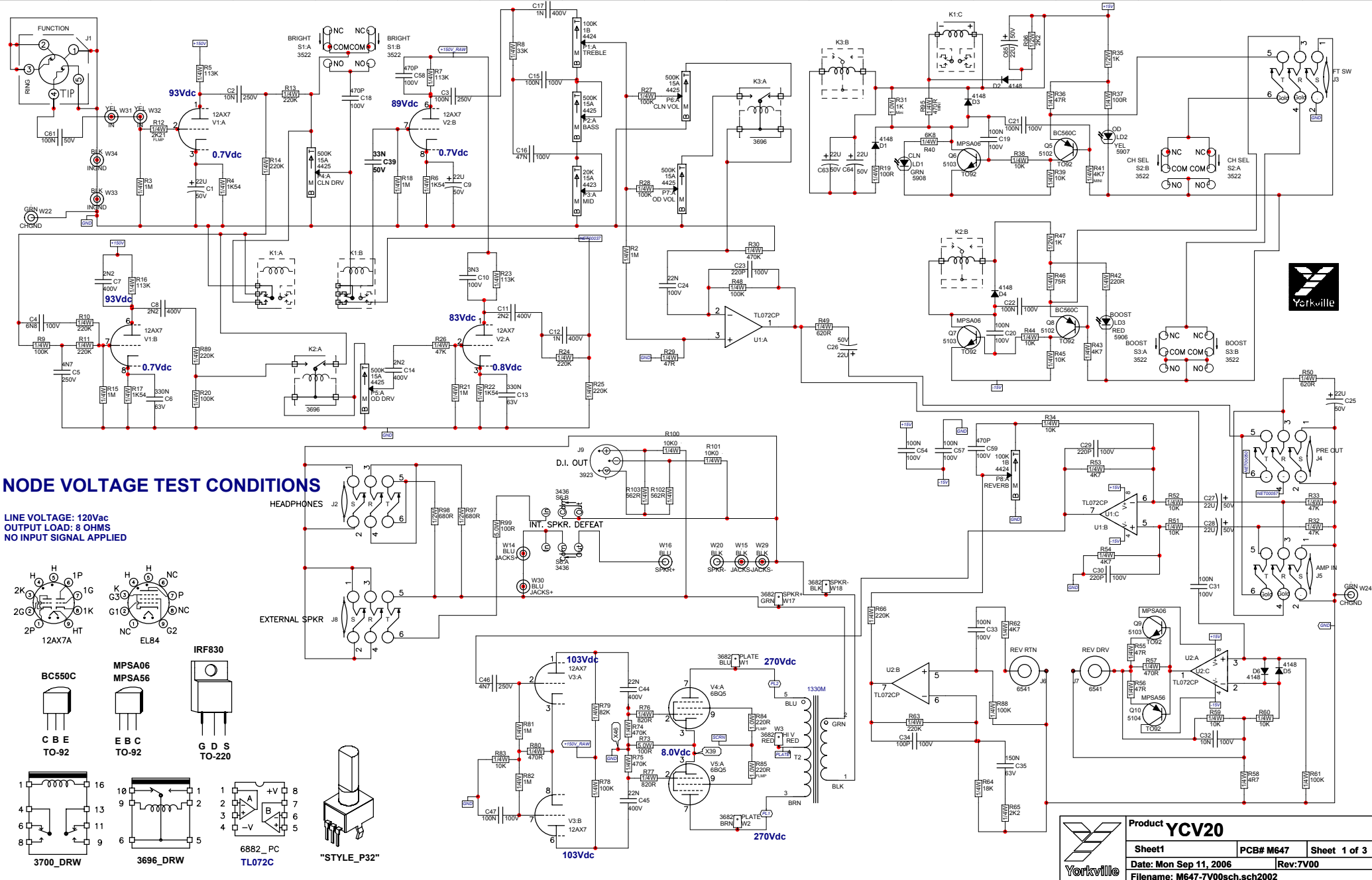
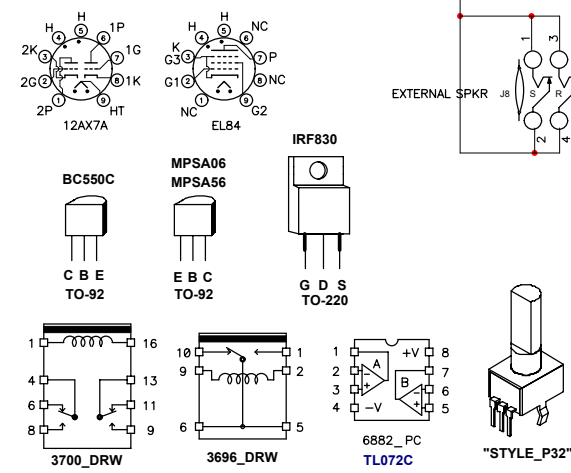


YCV20 - Series 2

YS No.	Description	Qty.	YS No.	Description	Qty.
6397	JEWELLED PILOT LAMP AMBER REG V1	1	4612	1/2W 18R 5% T&R RES	3
5906	RED 3MM LED 1V9 20MA .4SPCER T&R	1	4817	1/4W 47R 5% T&R RES	4
6398	RED 5MM LED 1V5 20MA HIGH EFF	1	4912	1/4W 75R 5% T&R RES	1
6399	YEL 5MM LED 1V5 20MA HIGH EFF	1	2044	1/4W 101R0 FUSIBLE T&R RES	2
5907	YEL 3MM LED 1V9 20MA .4SPCER T&R	1	4692	5.0W 100R 5% BLK RES	2
5908	GRN 3MM LED 1V9 20MA .4SPCER T&R	1	4852	1/4W 100R 5% T&R RES	2
6825	1N4148 75V 0A45 DIODE T&R	6	2022	1.0W 220R 5%FLAME PROOF T&R RES	3
6438	1N4007 400V 1A0 DIODE T&R	9	4857	1/4W 220R 5% T&R RES	1
6461	1N5240BRL 10V0 0W5 ZENER 5% T&R	1	4713	1.0W 470R 5% T&R RES	1
6475	1N5262B 51V0 0W5 ZENER 5% T&R	3	4821	1/4W 470R 5% T&R RES	3
6871	MC7915CT TO220 N 15V0 REG V2	1	4980	1/4W 470R 5%MINI T&R RES	1
6872	MC7815CT TO220 P 15V0 REG V1	1	4799	1/4W 562R 1% T&R RES	2
5102	BC560C TO92 PNP TRANSISTOR T&R TB	1	4891	1/4W 620R 5% T&R RES	2
5103	MPSA06 TO92 NPN TRANSISTOR T&R TA	3	4673	1/2W 680R 5% T&R RES	2
5104	MPSA56 TO92 PNP TRAN T&R TA	1	4822	1/4W 820R 5% T&R RES	2
6730	IRF830 TO220 NCH MFET TN	1	4623	1/2W 1K 5% T&R RES	2
6882	TL072CP IC FET DUAL OP AMP	2	4913	1.0W 1K 5% T&R RES	1
5199	100P 100V 2%CAP T&R RAD CER.2"NPO	1	4791	1/4W 1K54 1% T&T RES	4
5197	220P 100V 2%CAP T&R RAD CER.2"NPO	3	4647	1/2W 2K2 5% T&R RES	1
5201	470P 100V 5%CAP T&R RAD CER.2"NPO	3	4847	1/4W 2K2 5% T&R RES	1
5206	1N 400V 5%CAP T&R RAD .2"FLM	2	2035	1/4W 2K21 1%FLAME PROOF T&R RES	1
5208	2N2 400V 5%CAP T&R RAD .2"FLM	1	4827	1/4W 4K7 5% T&R RES	2
5275	3N3 100V 5%CAP T&R RAD .2"FLM	4	4982	1/4W 4K7 5%MINI T&R RES	1
5209	4N7 250V 5%CAP T&R RAD .2"FLM	2	4828	1/4W 6K8 5% T&R RES	1
6451	4N7 250V 20%CAP BLK Y 10MM AC	1	4800	1/4W 10K0 1% T&R RES	2
5272	6N8 100V 5%CAP T&R RAD .2"FLM	1	4829	1/4W 10K 5% T&R RES	13
5204	10N 100V 10%CAP T&R RAD .2"FLM	1	5031	1.0W 10K0 5% T&R	2
5834	10N 250V 20%CAP BLK RAD POLY FLM	1	4831	1/4W 18K 5% T&R RES	1
5210	22N 100V 10%CAP T&R RAD .2"FLM	1	4840	1/4W 33K 5% T&R RES	1
5840	22N 400V 10%CAP BLK RAD POLY FLM	2	4834	1/4W 47K 5% T&R RES	3
6435	22N 275V 20%CAP BLK X2 15MM AC	1	4848	1/4W 62K 5% T&R RES	1
5306	33N 50V 10%CAP T&R BEAD X7R	1	4837	1/4W 82K 5% T&R RES	1
5224	47N 100V 10%CAP T&R RAD .2"FLM	2	4838	1/4W 100K 5% T&R RES	7
5226	68N 100V 5%CAP T&R RAD .2"FLM	1	4776	1/4W 113K 1% T&R RES	4
5212	100N 63V 5%CAP T&R RAD .2"FLM	10	4841	1/4W 220K 5% T&R RES	7
5314	100N 50V 10%CAP T&R BEAD X7R	3	4843	1/4W 470K 5% T&R RES	5
5865	100N 250V 10%CAP BLK RAD POLY FLM	1	4880	1/4W 680K 5% T&R RES	1
5882	220N 250V 10%CAP BLK RAD POLY FLM	1	4844	1/4W 1M 5% T&R RES	7
5233	330N 63V 5%CAP T&R RAD .2"FLM	2	3610	10" 9C-26AWG RIB 3/4" NOTCH 0.1"	2
5629	10U 160V 20%CAP BLK 10X13MM EL	1	3696	RELAY 1C 02AMP DC24 006MA PC-S	2
5631	22U 50V 20%CAP T&R 6X7MM .2"EL	9	3700	RELAY 2C 01AMP DC24 015MA PC-S	1
5958	22U 350V 20%CAP BLK 13X25 EL	6	3537	ACC# 4EB3C1B LONG REVERB	1
5618	470U 25V 20%CAP BLK 10X15MM EL	4	8865	4-40 X 5/16 PAN PH MS JS500	14
TFS-2B	TRAYNOR DUAL FOOTSWCH 10' CORD-BULK	1	8832	6-32 X 1/4 PAN PH TAPTITE JS500	9
4423	20K 15AAUDIO 9MM P32	1	8801	6-32 X 3/8 PAN PH TAPTITE JS500	2
4424	100K 1B LIN 9MM P32	2	8829	6-32 X 3/8 FLAT PH TAPTITE BO#4 HEA	11
4425	500K 15AAUDIO 9MM P32	5	8837	6-32 X 1/2 ROUND PH MS JS500	3
713	25 X 20 X 50 2 MIL PLASTIC BAG	1	8757	#6 X 5/8 PAN PHIL TYPE A ZINC CLEAR	2
3976	SNAP ON 0.843" INSULATING BUSHING	2	8824	8-32 X 5/16 PAN QUAD TAPTITE JS500	2
8461	TRIM CLIP (PLATED BLK ZINC)	4	8722	#8 X 1" PAN QUAD TYPE AB B/O	4
8521	RUBBER BUMPER WITH WASHER VERYSMALL	4	8809	10-32 X 1/4 PAN PH TAPTITE JS500	25
3478	CLIP 205/187X032 18-22AWG DISCO/INS	5	8750	#10 X 1/2 PAN PH TYPE A ZINC	16
3489	CLIP 250X032 18-22AWG DISCO/INSL	2	8756	#10 X 3/4 PAN PH TYPE A BLACK OXIDE	10
3494	CLIP 205/187X020 14-16AWG DISCO/INS	2	8843	10-32 X 1 1/8 FLAT PH MS JS500	2
3601	RING TERMINAL 16AWG WIRE & #8 SCREW	3601	8786	10-32 X 1 1/4 PAN QD MS JS500 BLACK	4
3682	250 MALE PCB TAB REEL	16	8862	#10 X 1 1/2 PAN PH TYPE A JS500	4
3498	1/4" JCK PCB MT HORZ	2	8770	1/4-20 X 1 5/16 TRUSS PH MS JS500	4
3528	1/4" JCK PCB MT HORZ GOLD TR	3	8905	YORKVILLE PRODUCT SCHEMATIC	1
3921	1/4" JCK PCB MT VERT STER RT SWT	1	3741	.5 SPACER ID-.171 OD-.25 #912-500	4
3890	36"90"RCA DUAL RED-WHITE PREFAB CBL	1	3865	1/2 PLASTIC HEX SPACER #6	9
3914	RCA SNGL PCB MT HORZ	2	3858	3/4 PLASTIC HEX SPACER #4	7
3923	XLR MALE PCB MT HORZ MTHOLE-V SNAP	1	7079	12" 8R 50WPGM SPEAKER CELESTION	1
3451	EYELET SMALL 0.089 OD PLATED	13	8482	3/8 1D FLAT WASHER	1
2471	T1A 5X20MM FUSE	1	8488	3/8 INT TOOTH LOCKWASHE ZINC	1
8456	10.0" STRAP HANDLE, NICKEL COVERS	1	8491	#10 SPLIT LOCK WASHER BO	6
8604	10-32 T NUT	6	8820	#8 FLAT WASHER JS500	4
8889	RUBBER GROMMET #2183-034-BLK	7	8817	#10 FLAT WASHER FOR 3/16" BOLT	8
3438	IEC PWR SOC W/.205TAB &FUSE 10A250V	1	3436	DPDT PUSH SW PCMT H BREAK B4 MAKE	1
3552	NYLON SPRING CLAMP	2	3522	DPDT MINI PC VERT SNP ALT	4
3810	4" NYLON CABLE TIE	6	3698	SPST ROKR SW QUIK 180" AC PWR BL/BL	1
8430	YCV40 CHICKEN-BEAK KNOB	8	3732	9 PIN PC MOUNT TUBE SOCKET BE	2
8504	CORNER, 2 LEGS NOTCED LIP NICKEL	1	3983	9 PIN PC MOUNT TUBE SOCKET	3
8633	ROUND PUSH BUTTON 1/4" BLACK	4		12AX7 DUAL TRIODE PREAMP TUBE	3
8661	BUTTON KNOB FLAT GREY	1		6BQ5 PENTODE OUTPUT TUBE	2
3428	8' 3/18 SJT AC LINE CORD REMOVABLE	1	1330	YCV20 POWER 120VAC 60HZ XFMR	1
8260	YCV40 LOGO EMBOSSED ALUMINUM	1	1330M	YCV20 OUTPUT XFMR	1
8910	YORKVILLE PRODUCT MANUAL	1			
8900	YORKVILLE WARRANTY CARD 2-YR UNLTD.	1			
3674	9 CIR CABLE HOLDER .098	4			
8800	6-32 KEPS NUT ZINC	5			
8890	1/4-20 CAGE NUT C79-88142027	4			
3796	ELASTOMER PAD TSIL 1.0X0.8	3			
3850	TO-220 PLASTIC TRANSISTOR INSULATOR	3			
4597	22AWG STRAN TC WIR JMP	2			
4599	22AWG SOLID SC WIR T&R JMP	55			
2037	1/4W 10R FUSIBLE T&R RES	2			
4896	1/4W 15R 5% T&R RES	1			

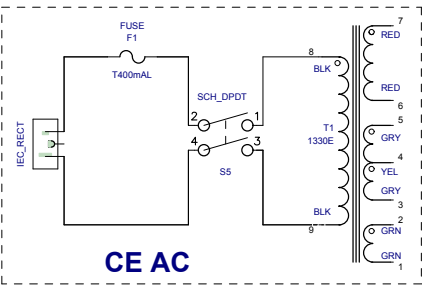
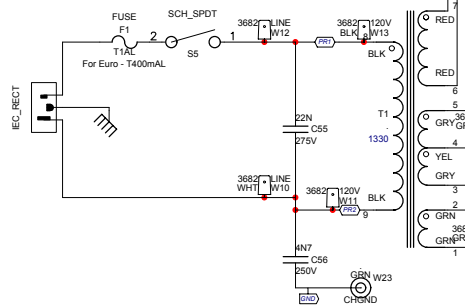
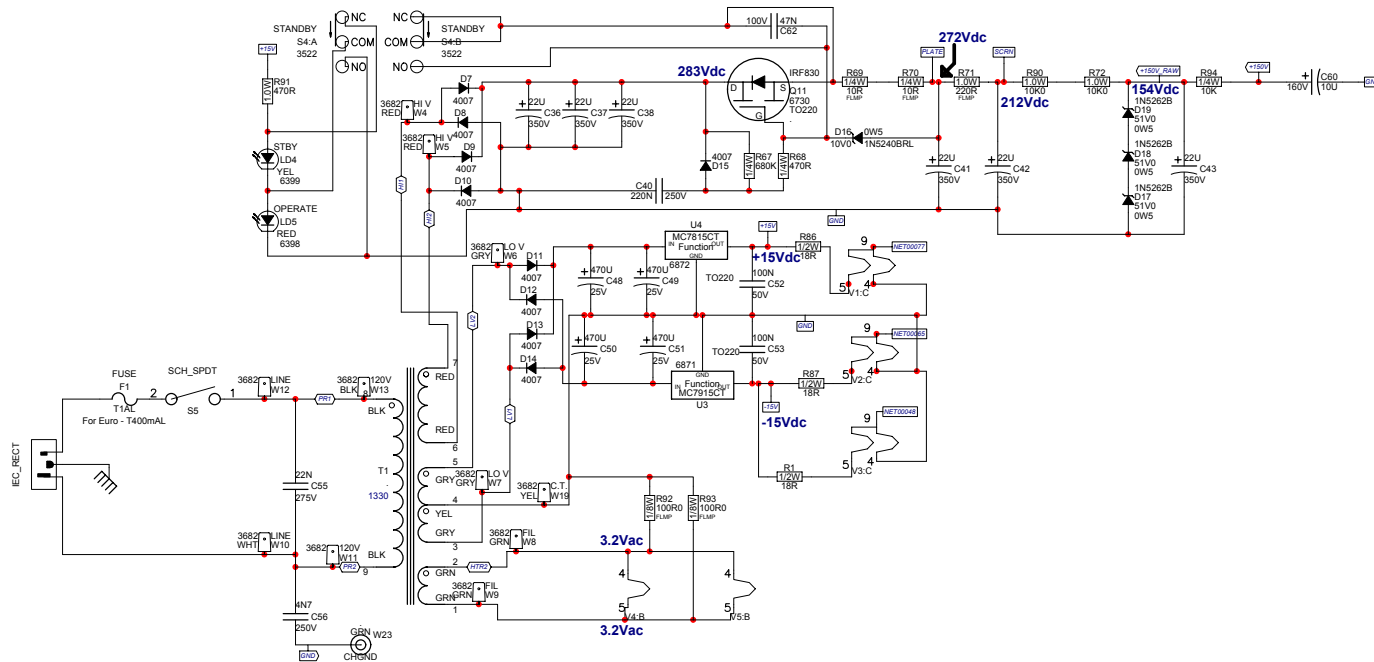
NODE VOLTAGE TEST CONDITIONS

LINE VOLTAGE: 120Vac
 OUTPUT LOAD: 8 OHMS
 NO INPUT SIGNAL APPLIED



Product YCV20

Sheet1 PCB# M647 Sheet 1 of 3
 Date: Mon Sep 11, 2006 Rev: 7V00
 Filename: M647-7V00sch.sch2002



CE AC

Ribbon cables

W25:A	1	CR8V	AAV	1	W26:A	W38:A	1	CR20	1	W39:A
W25:B	2	CR20	2	W26:B	W38:B	W39:B	2	CR20	2	W39:B
W25:C	3	CR20	3	W26:C	W38:C	W39:C	3	CR20	3	W39:C
W25:D	4	CR20	4	W26:D	W38:D	W39:D	4	CR20	4	W39:D
W25:E	5	CR20	5	W26:E	W38:E	W39:E	5	CR20	5	W39:E
W25:F	6	CR20	6	W26:F	W38:F	W39:F	6	CR20	6	W39:F
W25:H	8	CR20	8	W26:H	W38:H	W39:H	8	CR20	8	W39:H
W25:I	9	CR20	9	W26:I	W38:I	W39:I	9	CR20	9	W39:I

M647

MODEL(S):-		YCV20	
#	DATE	VER#	DESCRIPTION OF CHANGE
1	FEB, 2003	V1.00	FIRST PRODUCTION
2	19 Feb, 2003	V1.03	Force updated r70,r72 to fix hole size.
3	21 Feb, 2003	V2.00	Fixed hole size on tube socket - added clinch hole
4			Updated targets
5	Apr 07, 2003	V3.00	PC#6597 R31 2k2 1/2W to 1K 1W. Add C64,C65,R95,R96, D2
6			
7	May, 12, 2003	4.00	Fix shorts in Ver 3.00
8	16-DEC-2003	5.00	Added headphones. DI out, ext. spkr jack and spkr defeat
9	16-DEC-2003	5.00	Connected jacks -vs to speaker -ve, reduced headphone gain
10	5-JAN-2004	5.00	Shifted footswitch jack by 200mil
11	06-OCT-2004	5.10	PC#6716 CHANGE R66&R63 TO 220K (4841), R58 TO 4R7 (4866), R54&R53 TO 4K7 (4827), C35 TO 150N (5229), R88 TO 100K (4838) [G1]
12			
13			
1	12-OCT-2005	6.00	AH PC#6937, CHANGE TUBE SOCKET DRILLING
2	23-MAY-2006	7.00	PC#7125:GT#3914 RCA JACK ->#6541, PC#7091: ENLARGE HOLES FOR #3522 DPDT SWITCH, UPDATED RELAYS
3			
4			
5			
6			
7			
8			
9			
10			
11			
12			
13			

M647 POT LIST

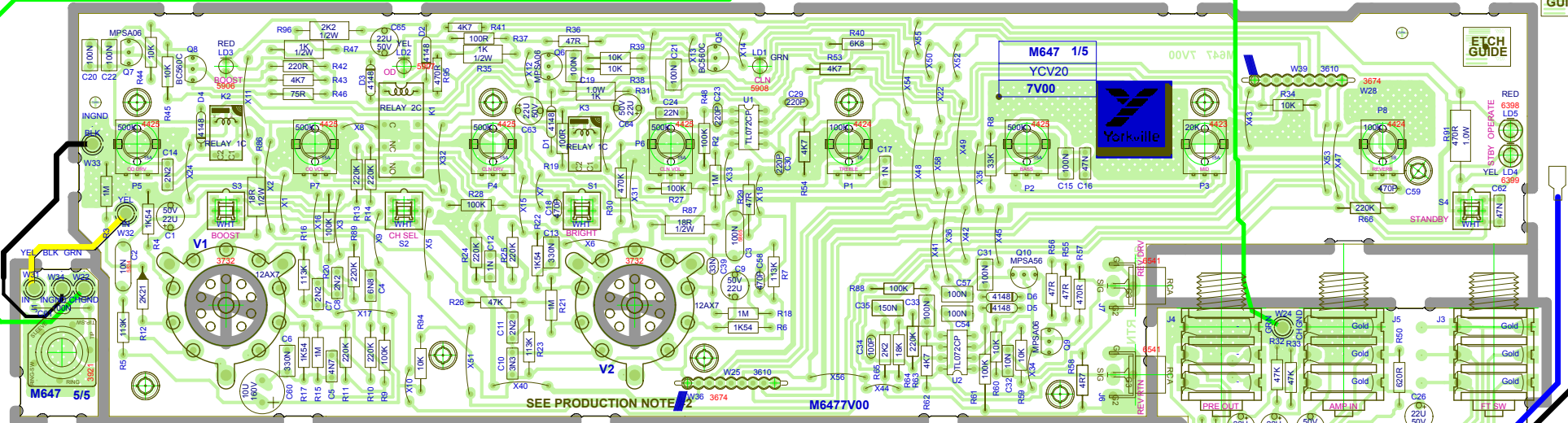
MODEL(S):-		YCV20	
REF	FUNCTION	PART#	{NEW}
P1	TREBLE	#4424	#8430 MAR 2003
P2	BASS	#4425	#8430
P3	MID	#4423	#8430
P4	GAIN 2 (CLN)	#4425	#8430
P5	GAIN 1 (OD DRV)	#4425	#8430
P6	VOL 2 (CLN)	#4425	#8430
P7	VOL (OD)	#4425	#8430
P8	REVERB	#4424	#8430
R	F	P	K N
R	F	P	K N
R	F	P	K N
R	F	P	K N



Shear after auto-insert - 10"

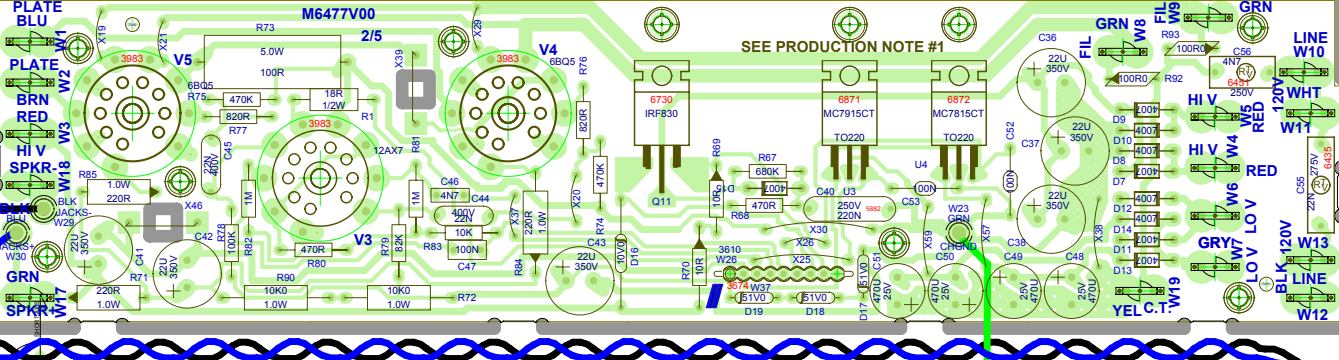
ETCH GUIDE

ETCH GUIDE



SEE PRODUCTION NOTE #2

M6477V00



SEE PRODUCTION NOTE #1

M6477V00

M6477V00

3/5 M 00V

Peb Mech M647 7V00
Top Assy M647 7V00

CLINCH ORIGIN

INSERT ORIGIN

SEE LAYOUT DOCUMENTATION



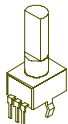
MODEL(S):- YCV20			
#	DATE	VER#	DESCRIPTION OF CHANGE
1	FEB. 2003	V1.00	FIRST PRODUCTION
2	19 Feb, 2003	V1.03	Force updated r70,r72 to fix hole size.
3	21 Feb, 2003	V2.00	Fixed hole size on tube socket - added clinch hole
4			Updated targets
5	Apr 07, 2003	v3.00	PC#6597 R31 2k2 1/2W to 1K 1W. Add C64,C65,R95,R96, D2
7	May. 12, 2003	4.00	Fix shorts in Ver 3.00
8	16-DEC-2003	5.00	Added headphones, DI out, ext. spkr jack and spkr defeat
9	15-DEC-2003	5.00	Connected jacks -ve to speaker -ve, reduced headphone gain
10	5-JAN-2004	5.00	Shifted footswitch jack by 200mil
11	06-OCT-2004	5.10	PC#6716 CHANGE R66&R63 TO 220K (4841), R58 TO 4R7 (4865), R54&R53 TO 4K7 (4827), C35 TO 150N (5229), R88 TO 100K (4838) [GT]
12	.	.	.
13	.	.	.
1	12-OCT-2005	6.00	AH, PC#6937, CHANGE TUBE SOCKET DRILLING
2	23-MAY-2006	7.00	PC#7125:GT:#3914 RCA JACK ->#6541, PC#7091: ENLARGE HOLES FOR #3522 DPDT SWITCH, UPDATED RELAYS
3	D	V	N
4	D	V	N
5	D	V	N
6	D	V	N
7	D	V	N
8	D	V	N
9	D	V	N
10	D	V	N
11	D	V	N
12	D	V	N
13	D	V	N
1	D	V	N
2	D	V	N
3	D	V	N
4	D	V	N
5	D	V	N
6	D	V	N
7	D	V	N
8	D	V	N
9	D	V	N
10	D	V	N
11	D	V	N
12	D	V	N
13	D	V	N

M647 DRILL HISTORY			
MODEL(S):- YCV20			
#	DATE	VER#	DESCRIPTION OF CHANGE
1	MAY-23-2006	V07	PC#7125 AND #7091, SEE HISTORY TABLE
2	D	V	N
3	D	V	N
4	D	V	N
5	D	V	N
6	D	V	N

M647 PENDING CHANGES		
MODEL(S):- YCV20		
#	PC#	PENDING CHANGE
1	PC	X
2	PC	X
3	PC	X
4	PC	X
5	PC	X
6	PC	X

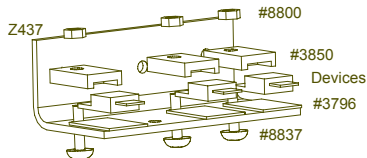
PLACE IMPLEMENTED CHANGES INTO BOARD HISTORY

M647 POT LIST				
MODEL(S):- YCV20				
REF	FUNCTION	PART#	KNOB	(NEW)
P1	TREBLE	#4424	#8430	MAR 2003
P2	BASS	#4425	#8430	**
P3	MID	#4423	#8430	**
P4	GAIN 2 (CLN)	#4425	#8430	**
P5	GAIN 1 (OD DRV)	#4425	#8430	**
P6	VOL 2 (CLN)	#4425	#8430	**
P7	VOL (OD)	#4425	#8430	**
P8	REVERB	#4424	#8430	**
R	F	P	K	N
R	F	P	K	N
R	F	P	K	N
R	F	P	K	N

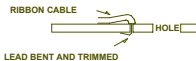


"STYLE_P32"

1. MOUNTING DETAILS FOR Q11, U3 AND U4

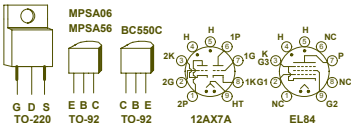


2. LEADS FOR W25 RIBBON CABLE MUST BE BENT AWAY FROM PCB HOLE AND TRIMMED



LEAD/PIN REFERENCE

IRF830



3696_DRW

3700_DRW

TL072C

YCV20 - JAN. 15, 2004

THIS DIAGRAM APPLIES TO BOARDS THAT ARE VERSION 5.00 OR HIGHER

