

General Instructions (after connecting speakers ....)

1. Plug the power cord into a grounded, 110 volt, 60 Hz. power outlet. (220 volts, 50 Hz. in U.K. and European models)
2. Set the front switch to STANDBY, and the power switch to "ON". If the amp does not come on, check the power connection and if necessary, press the circuit breaker. (In 220 volt amps replace fuse with similar type only)
3. Leave front switch on "STANDBY" for about a minute to allow the tubes to warm up.
4. When ready to play, plug in instrument and switch to "RUN".  
It is advisable to put your amplifier on STANDBY between sets and when plugging-in instrument leads.
5. Set the "Ground" switch for minimal noise. The "Lift" setting may be utilized to reduce hum caused by ground-loop.

EXPLANATION OF CONTROLS: Front Panel

Note: Items 1 to 4 apply to both channels. Reverb, Tremolo and Master Volume are available on Chanel 2 only.

1. INPUTS: "High" inputs have added sensitivity for lead overdrive. "Normal" inputs may be preferred for rhythm.
2. TREBLE BOOST: Enhances the highs when in the upper position and with the Volume set at less than 10.
3. VOLUME: Varies preamp gain from zero to maximum.
4. TREBLE MIDDLE, BASS: Provide wide-range tonal variations.
5. REVERB: Controls amount of reverberation from zero to maximum.
6. TREMOLO: Speed & intensity - varies the rate and depth of the tremolo effect. The tremolo is off with the intensity control at zero.
7. MASTER VOLUME: Controls the preamp output level of channel two (only) and may be used to regulate loudness in accordance with room-size and bands volume.

BACK PANEL

1. "Accessory Plug": An A.C. socket for supplying current to any additional electrical device drawing no more than 200 watts.
2. "Circuit Breaker": Replace the usual fuse to protect circuits from A.C. overloads. Should such an overload cause the "breaker" to open, the amp will shut off completely. Simply press the red "Re-Set" button to re-establish operation.
- 2a Fuse (in 220 volt models): Should always be replaced with similar type.
3. Reverb and Tremolo Footswitch Jacks: Connect shielded footswitches for remote on/off control of these effects, pre-set with the front panel controls.

continued .....

4. "A.C. On-Off" Switch: Governs main power supply.
5. "Speaker" Jacks: For connecting one or two of the following suggested speaker cabinets:
  - YF-12: 4 x 12" speakers - 200 watts, 4 ohms overall
  - Y-212: 2 x 12" speakers - 150 watts, 4 ohms overall
  - YCV-212: 2 x 12" Vega Speakers - 200 watts, 8 ohms overall
6. 3 - Position Ground Switch: Top two "Ground" setting for standard polarity reversal when the amp is connected to an ungrounded outlet. "Lift" setting floats the independent circuit ground from the chassis to reduce ground loop hum (a condition which occurs when an amp is connected to one or more A.C. powered devices which are not grounded the same way).

GENERAL SPECIFICATIONS

R.M.S. Output: 80 watts \*pre-clipping, 150 watts \*full clipping.  
Output Impedance: 4 ohms (12 ohms minimum load limit).  
Speakers: 2 x 12" - 8 ohms, 75 watts each - 4 ohms, 150 watts total  
Dimensions & Weight: 28" x 23" x 11" - 75 lbs.

(Harmonic distortion is typically below 5% at the \*pre-clipping output level. Speakers should have total power-handling at least equal to the amps \*full-clipping power)

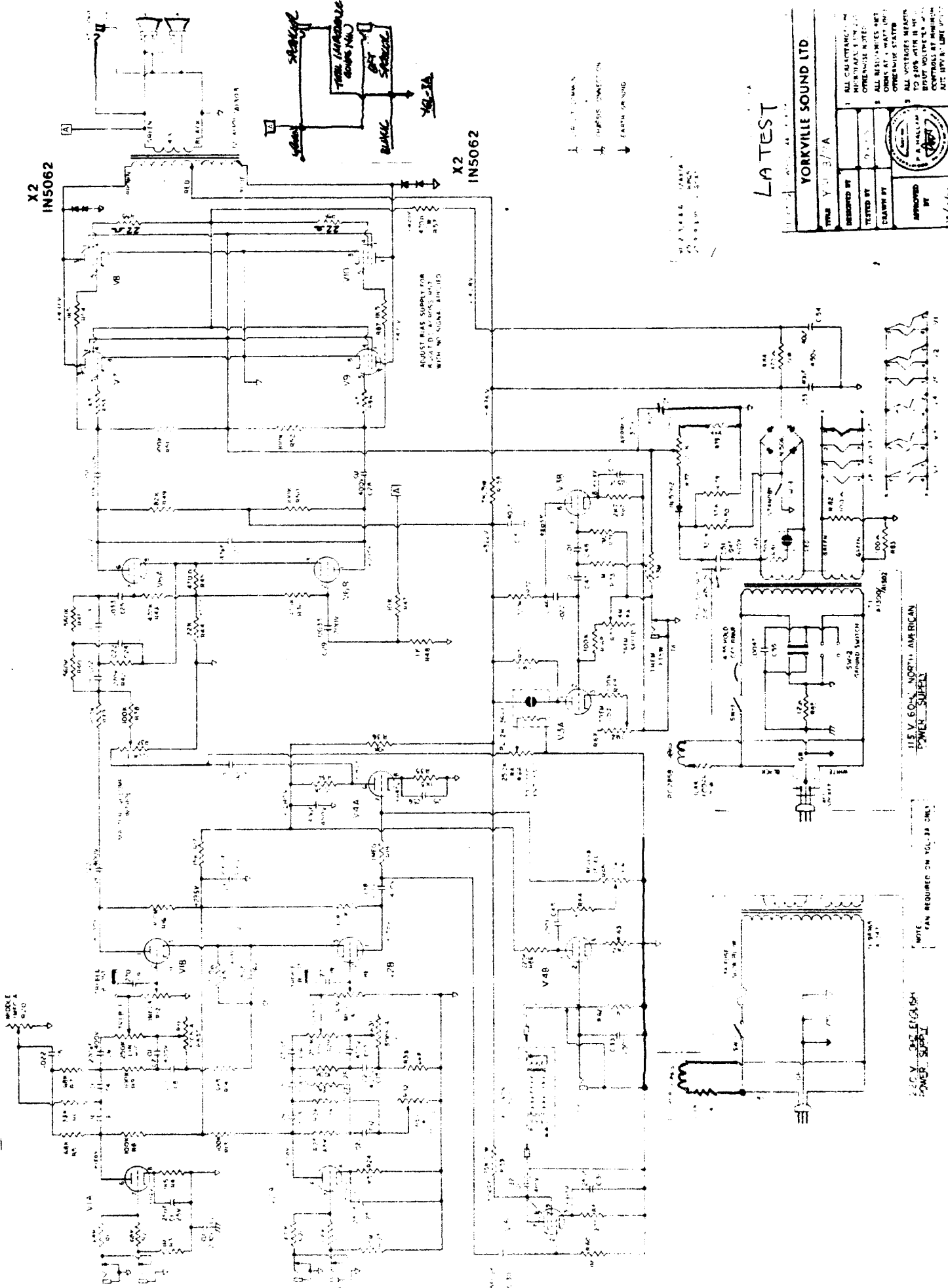
GENERAL

- \* Leave at least a 1-foot air space behind the amp for adequate ventilation when in use.
- \* Check the power tubes at least every 6 months and replace when weak.
- \* For warranty service, contact your authorized Traynor dealer.
- \* For special information, write to:

YORKVILLE SOUND LIMITED  
80 Midwest Road,  
Scarborough, Ontario  
Canada M1P 4R2

OR

YORKVILLE SOUND INC.  
56 Harvester Ave,  
Batavia, N.Y.  
U.S.A. 14020



X2  
IN5062

X2  
IN5062

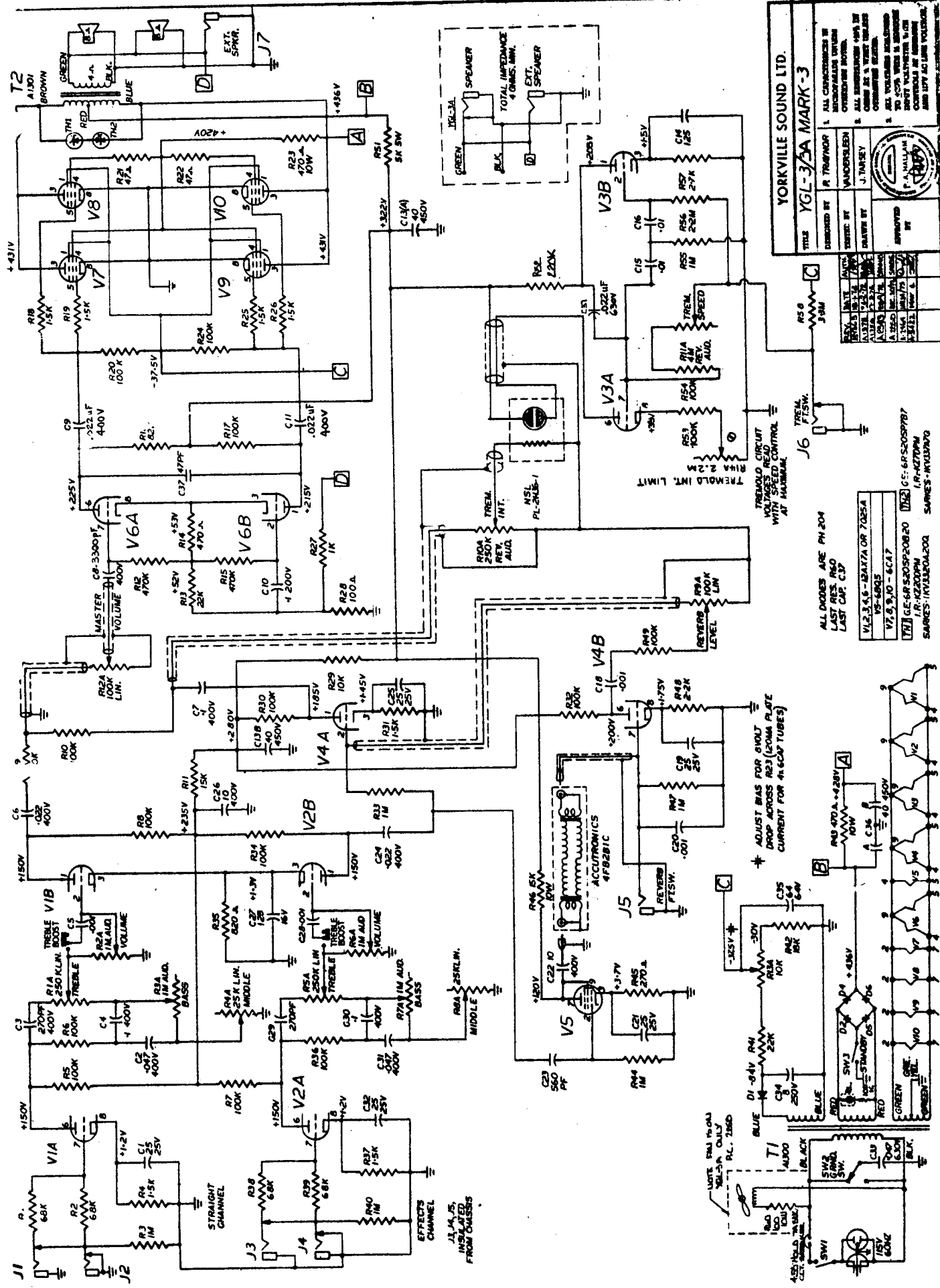
LATEST

YORKVILLE SOUND LTD.	
DESIGNED BY	Y.S. 377/A
TESTED BY	
DRAWN BY	
APPROVED BY	
1. ALL ELECTRICAL CONNECTIONS TO BE MADE IN ACCORDANCE WITH THE COMPANY'S SPECIFICATIONS. 2. ALL RESISTOR VALUES TO BE IN OHMS UNLESS OTHERWISE STATED. 3. ALL VOLTAGE RATINGS TO BE IN VOLTS UNLESS OTHERWISE STATED. 4. ALL CURRENT RATINGS TO BE IN AMPERES UNLESS OTHERWISE STATED. 5. ALL VOLTAGE RATINGS TO BE IN VOLTS UNLESS OTHERWISE STATED. 6. ALL CURRENT RATINGS TO BE IN AMPERES UNLESS OTHERWISE STATED. 7. ALL VOLTAGE RATINGS TO BE IN VOLTS UNLESS OTHERWISE STATED. 8. ALL CURRENT RATINGS TO BE IN AMPERES UNLESS OTHERWISE STATED.	

U.S. V. 60 NORTH AMERICAN  
POWER SUPPLY

NOTE: CAN REQUIRED ON X2-1A ONLY

250V OR 230V  
POWER SUPPLY



**YORKVILLE SOUND LTD.**  
**MODEL YGL-3/3A MARK-3**

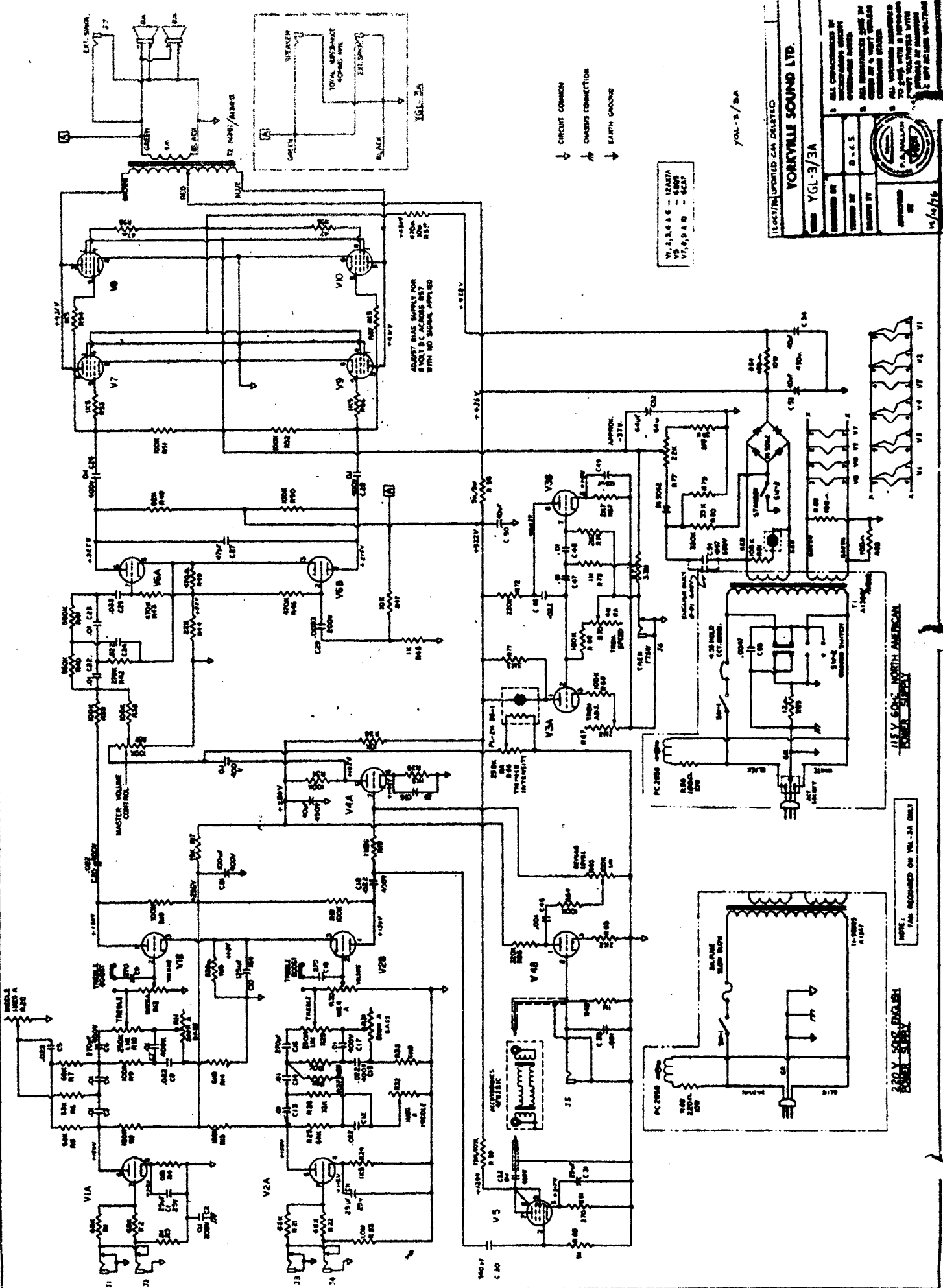
DESIGNED BY: R. THOMPSON  
 CHECKED BY: WANDERLICH  
 DRAWN BY: J. HANSEY  
 APPROVED BY: P. A. HALLAM

ALL COMPONENTS IN THIS CIRCUIT ARE TO BE USED AS SPECIFIED IN THE PARTS LIST. ALL TUBES ARE TO BE USED AS SPECIFIED IN THE PARTS LIST. ALL RESISTORS ARE TO BE USED AS SPECIFIED IN THE PARTS LIST. ALL CAPACITORS ARE TO BE USED AS SPECIFIED IN THE PARTS LIST.

REF. NO.	QTY.	DESCRIPTION	MANUFACTURER
R1	1	100K	RES.
R2	1	100K	RES.
R3	1	100K	RES.
R4	1	100K	RES.
R5	1	100K	RES.
R6	1	100K	RES.
R7	1	100K	RES.
R8	1	100K	RES.
R9	1	100K	RES.
R10	1	100K	RES.
R11	1	100K	RES.
R12	1	100K	RES.
R13	1	100K	RES.
R14	1	100K	RES.
R15	1	100K	RES.
R16	1	100K	RES.
R17	1	100K	RES.
R18	1	100K	RES.
R19	1	100K	RES.
R20	1	100K	RES.
R21	1	100K	RES.
R22	1	100K	RES.
R23	1	100K	RES.
R24	1	100K	RES.
R25	1	100K	RES.
R26	1	100K	RES.
R27	1	100K	RES.
R28	1	100K	RES.
R29	1	100K	RES.
R30	1	100K	RES.
R31	1	100K	RES.
R32	1	100K	RES.
R33	1	100K	RES.
R34	1	100K	RES.
R35	1	100K	RES.
R36	1	100K	RES.
R37	1	100K	RES.
R38	1	100K	RES.
R39	1	100K	RES.
R40	1	100K	RES.
R41	1	100K	RES.
R42	1	100K	RES.
R43	1	100K	RES.
R44	1	100K	RES.
R45	1	100K	RES.
R46	1	100K	RES.
R47	1	100K	RES.
R48	1	100K	RES.
R49	1	100K	RES.
R50	1	100K	RES.
R51	1	100K	RES.
R52	1	100K	RES.
R53	1	100K	RES.
R54	1	100K	RES.
R55	1	100K	RES.
R56	1	100K	RES.
R57	1	100K	RES.
R58	1	100K	RES.
R59	1	100K	RES.
R60	1	100K	RES.
R61	1	100K	RES.
R62	1	100K	RES.
R63	1	100K	RES.
R64	1	100K	RES.
R65	1	100K	RES.
R66	1	100K	RES.
R67	1	100K	RES.
R68	1	100K	RES.
R69	1	100K	RES.
R70	1	100K	RES.
R71	1	100K	RES.
R72	1	100K	RES.
R73	1	100K	RES.
R74	1	100K	RES.
R75	1	100K	RES.
R76	1	100K	RES.
R77	1	100K	RES.
R78	1	100K	RES.
R79	1	100K	RES.
R80	1	100K	RES.
R81	1	100K	RES.
R82	1	100K	RES.
R83	1	100K	RES.
R84	1	100K	RES.
R85	1	100K	RES.
R86	1	100K	RES.
R87	1	100K	RES.
R88	1	100K	RES.
R89	1	100K	RES.
R90	1	100K	RES.
R91	1	100K	RES.
R92	1	100K	RES.
R93	1	100K	RES.
R94	1	100K	RES.
R95	1	100K	RES.
R96	1	100K	RES.
R97	1	100K	RES.
R98	1	100K	RES.
R99	1	100K	RES.
R100	1	100K	RES.

ALL TUBES ARE PH 204  
 LAST RES. R60  
 LAST CAP. C37

V1, 2, 3, 4, 5 - 6X4  
 V6A, 6B - 6X4  
 V7, 8, 9, 10 - 6X4  
 V11, 12 - 6X4  
 V13 - 6X4  
 V14 - 6X4  
 V15 - 6X4  
 V16 - 6X4  
 V17 - 6X4  
 V18 - 6X4  
 V19 - 6X4  
 V20 - 6X4  
 V21 - 6X4  
 V22 - 6X4  
 V23 - 6X4  
 V24 - 6X4  
 V25 - 6X4  
 V26 - 6X4  
 V27 - 6X4  
 V28 - 6X4  
 V29 - 6X4  
 V30 - 6X4  
 V31 - 6X4  
 V32 - 6X4  
 V33 - 6X4  
 V34 - 6X4  
 V35 - 6X4  
 V36 - 6X4  
 V37 - 6X4  
 V38 - 6X4  
 V39 - 6X4  
 V40 - 6X4  
 V41 - 6X4  
 V42 - 6X4  
 V43 - 6X4  
 V44 - 6X4  
 V45 - 6X4  
 V46 - 6X4  
 V47 - 6X4  
 V48 - 6X4  
 V49 - 6X4  
 V50 - 6X4  
 V51 - 6X4  
 V52 - 6X4  
 V53 - 6X4  
 V54 - 6X4  
 V55 - 6X4  
 V56 - 6X4  
 V57 - 6X4  
 V58 - 6X4  
 V59 - 6X4  
 V60 - 6X4  
 V61 - 6X4  
 V62 - 6X4  
 V63 - 6X4  
 V64 - 6X4  
 V65 - 6X4  
 V66 - 6X4  
 V67 - 6X4  
 V68 - 6X4  
 V69 - 6X4  
 V70 - 6X4  
 V71 - 6X4  
 V72 - 6X4  
 V73 - 6X4  
 V74 - 6X4  
 V75 - 6X4  
 V76 - 6X4  
 V77 - 6X4  
 V78 - 6X4  
 V79 - 6X4  
 V80 - 6X4  
 V81 - 6X4  
 V82 - 6X4  
 V83 - 6X4  
 V84 - 6X4  
 V85 - 6X4  
 V86 - 6X4  
 V87 - 6X4  
 V88 - 6X4  
 V89 - 6X4  
 V90 - 6X4  
 V91 - 6X4  
 V92 - 6X4  
 V93 - 6X4  
 V94 - 6X4  
 V95 - 6X4  
 V96 - 6X4  
 V97 - 6X4  
 V98 - 6X4  
 V99 - 6X4  
 V100 - 6X4



11 00714 UNTESTED C&I DELTIC

**YORKVILLE SOUND LTD.**

YGL-3/3A

ALL COMPONENTS BY  
RECOMMENDED MANUFACTURERS

ALL DIMENSIONS IN INCHES  
UNLESS OTHERWISE SPECIFIED

ALL VOLTAGES INDICATED  
TO GROUND UNLESS OTHERWISE  
SPECIFIED

© 1971 YORKVILLE SOUND LTD.

V1, 2, 3, 4, 6 - 12AX7A  
V5 - 6X4  
V7, 8, 9, 10 - 6BE6

- ↓ CIRCuits COMMON
- ↕ CROSS CONNECTION
- EARTH GROUND

YGL-3/3A

NOTE: FAN REQUIRED ON VL-3A ONLY

220 V. 50/60 HZ. ENGLISH

115 V. 60 HZ. NORTH AMERICAN  
POWER SUPPLY