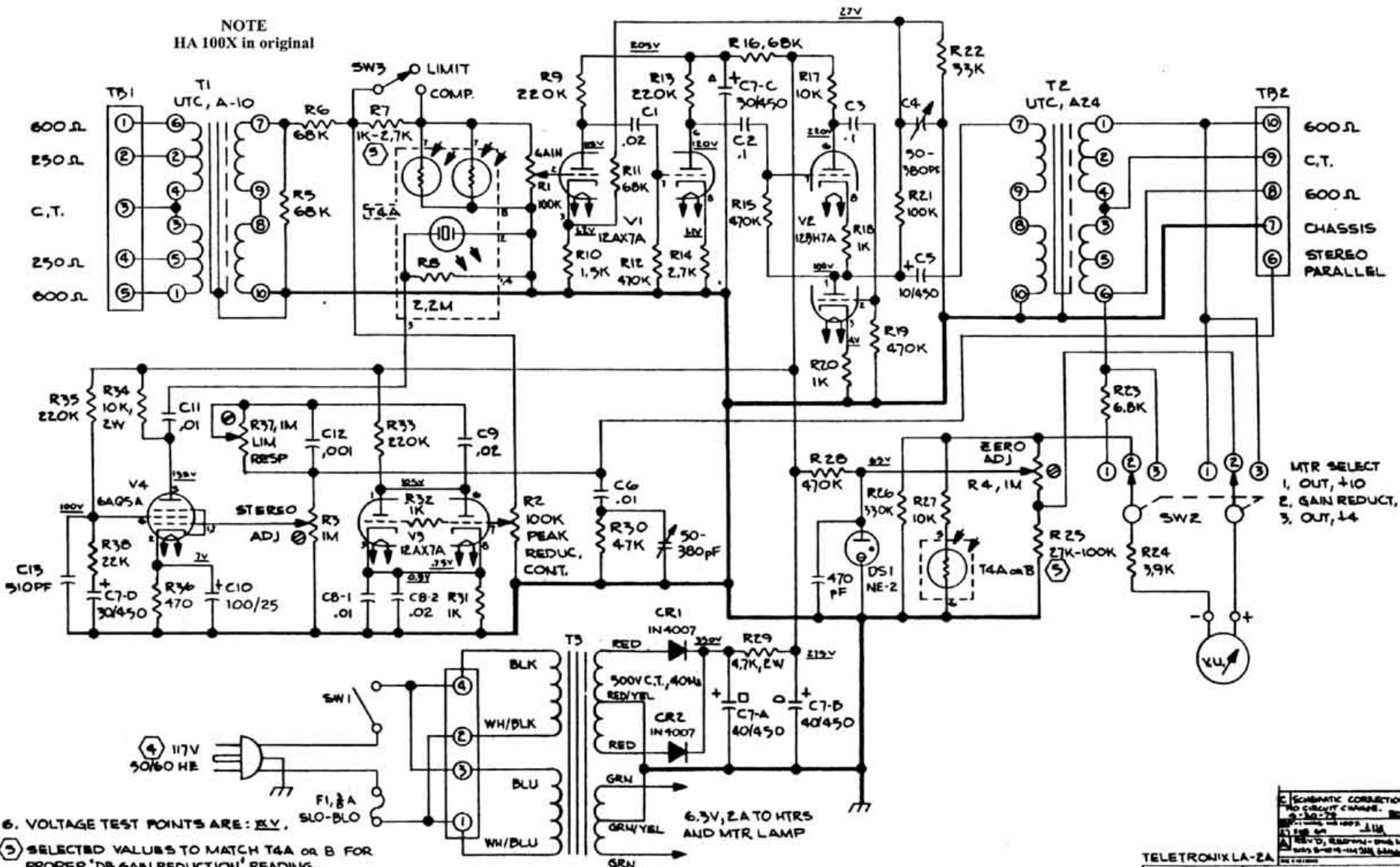


NOTE
HA 100X in original



6. VOLTAGE TEST POINTS ARE: 15V.

⑤ SELECTED VALUES TO MATCH T4A OR B FOR PROPER 'DB GAIN REDUC.' READING.

④ FOR 220 V CONNECTION, SEE MANUAL.

3. PATENT N° 3258707 ON PORTIONS OF THIS EQUIPMENT.

2. CAPACITORS IN μ FD.

1. RESISTORS IN OHMS, $\frac{1}{2}$ W, 5%.

NOTES, UNLESS SPECIFIED:

C SCHEMATIC CORRECTIONS
NO CIRCUIT CHANGE
REVISED, REWORKED - 6/10/68
DATE 6-10-68
BY J. J. J. J.

TELETRONIX LA-2A		SCHEMATIC, LEVELING AMPLIFIER	
UNITED RECORDING ELECTRONICS INDUSTRIES	C-10953 C		
REV'D DATE 6 AUG 68	BY J. J. J. J.	DATE 6 AUG 68	REV 3
DEPARTMENT LOS ANGELES CALIFORNIA	CHECKED	APPROVED	