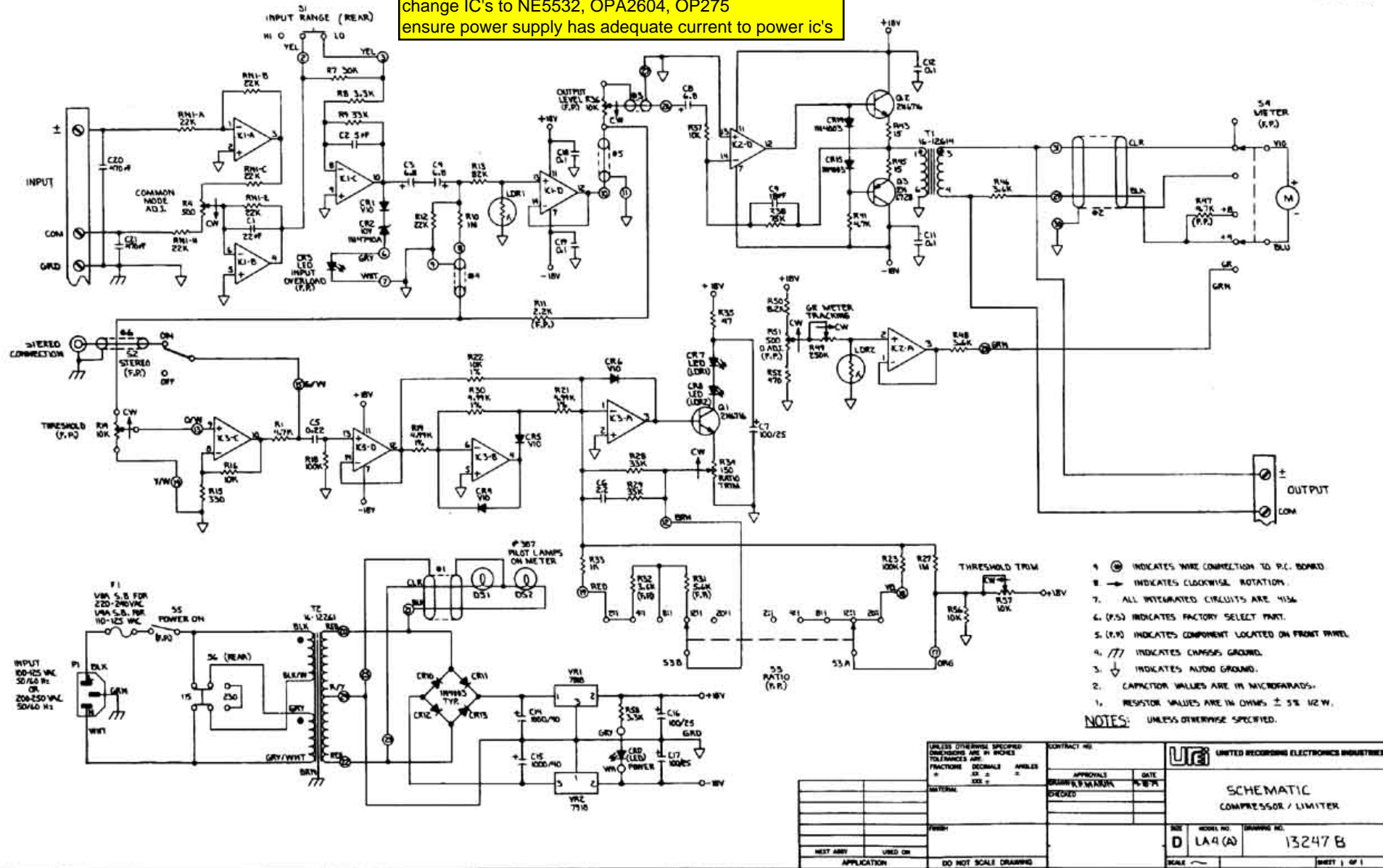
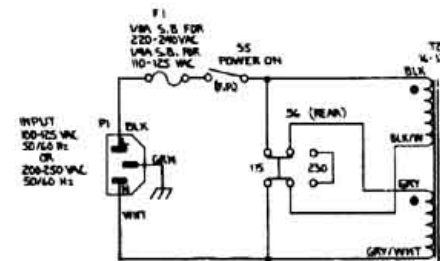


change Vactrol to VTL5C9 for fast response  
 change IC's to NE5532, OPA2604, OP275  
 ensure power supply has adequate current to power ic's

REVISIONS		DATE	APPROVED
A	PER ELD-LA-46-00A	8-24-80	K.P.M.
B	PER ELD-LA-46-010	10-12-80	K.P.M.



- 1. RESISTOR VALUES ARE IN OHMS ± 5% 1/2 W.
  - 2. CAPACITOR VALUES ARE IN MICROFARADS.
  - 3. INDICATES AUTO GROUND.
  - 4. // INDICATES CHASSIS GROUND.
  - 5. (F.P.) INDICATES COMPONENT LOCATED ON FRONT PANEL.
  - 6. (P.S) INDICATES FACTORY SELECT PART.
  - 7. ALL INTEGRATED CIRCUITS ARE 4136.
  - 8. → INDICATES COUNTERCLOCKWISE ROTATION.
  - 9. ⊙ INDICATES WIRE CONNECTION TO P.C. BOARD.
- NOTES: UNLESS OTHERWISE SPECIFIED.



UNLESS OTHERWISE SPECIFIED DIMENSIONS ARE IN INCHES FRACTIONS - DECIMALS - MILLIMETERS		CONTRACT NO.		UNITED RECORDING ELECTRONICS INDUSTRIES	
MATERIAL		APPROVALS		DATE	
FINISH		DRAWN BY		K.P.M.	
NEXT ASSY USED ON		CHECKED			
APPLICATION		DO NOT SCALE DRAWING		SCHEMATIC COMPRESSOR / LIMITER	
		MODEL NO. <b>LA4(A)</b>		DRAWING NO. <b>13247 B</b>	
		SCALE		SHEET 1 OF 1	