

VOX

SERVICE BULLETIN

FROM **Thomas** **ORGAN CO.**

8345 HAYVENHURST AVE.
SEPULVEDA, CALIF.

SERVICE BULLETIN NO. 39
July 27, 1967

Cancels and Supersedes
Bulletin No. 38 dated 5/3/67

SUBJECT: Important Parts Ordering Information for Vox Dual
Manual Super Continental Organs.

Two versions of Dual Manual Super Continentals have been manufactured to date. The tone generators and several other components in these two series are not interchangeable. Therefore please specify the model number and serial number when ordering replacement parts.

These Models are V303J and V303E.

Tone Generators -- V303J

The model V303J uses the same tone generators as the model V301J (or V301E) and their part numbers are listed on the back of this bulletin.

The only difference is that an extra jumper wire is soldered to the tone generators when installed to provide a signal take off point from the 5th divider for the walking bass circuit. (Note: On the "C" tone generator a second jumper provides a take off from the 4th divider also as two octaves of the "C" note are required for the walking bass circuit.)

Tone Generators -- V303E

A photo of the new type tone generators for the model V303E is shown on the back of this bulletin. Also included is a chart specifying the part numbers of the individual tone generator assemblies.

As with all Vox Continental and Jaguar organs please specify the exact model number and serial number to insure prompt delivery of service parts.

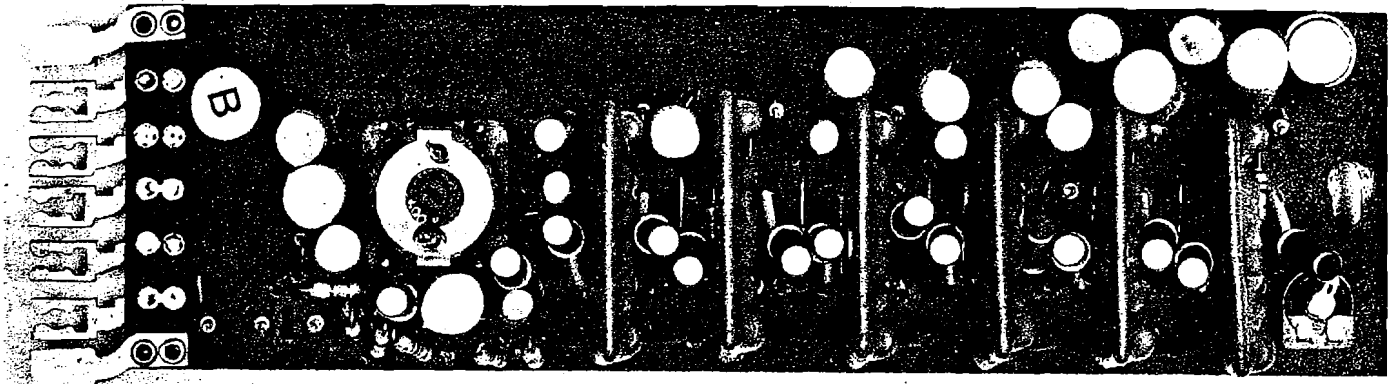
Yours for Better Customer Service,



Donald A. John
National Service Manager

DAJ:er

Typical Tone Generator Assy. used in V303E



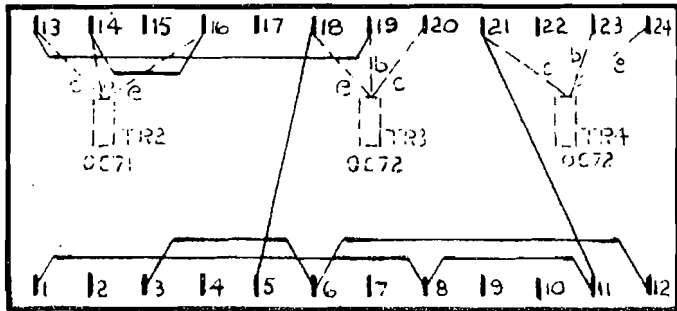
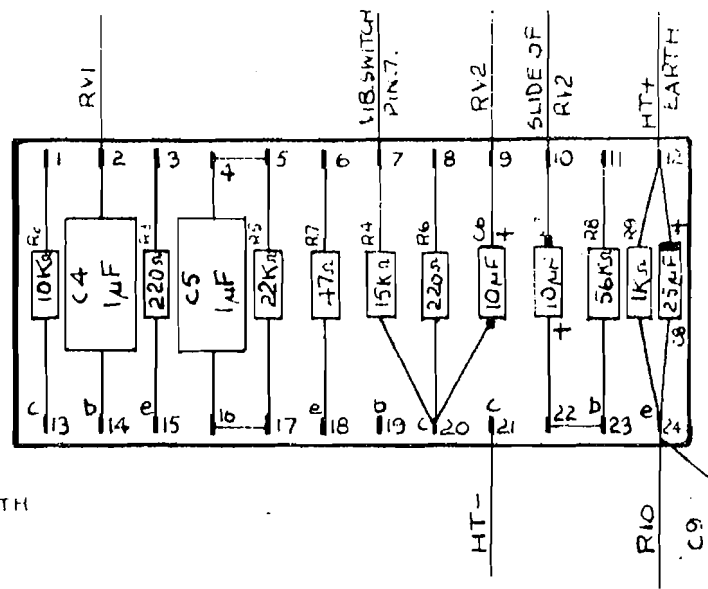
STONE GENERATOR ASSEMBLY CHART FOR V303E and V303J
(Specify Type III for the V303J)

NOTE	STONE GENERATOR ASSEMBLY	
	V303E	V303J
C	09-8210-0	09-7181-0
C#	09-8211-0	09-7182-0
D	09-8212-0	09-7183-0
D#	09-8213-0	09-7184-0
E	09-8214-0	09-7185-0
F	09-8216-0	09-7186-0
F#	09-8217-0	09-7187-0
G	09-8218-0	09-7188-0
G#	09-8219-0	09-7189-0
A	09-8220-0	09-7190-0
A#	09-8221-0	09-7191-0
B	09-8222-0	09-7192-0

CHANGES
ISSUE 1
13 63

NOTES:-
RED SPOT
P-BASE
GREEN
COLLECTOR, B+
GREATER
RED

TRANSISTOR LEAD OUT
WIRES TO BE SLEEVED, WITH
COLOURS AS SHOWN.



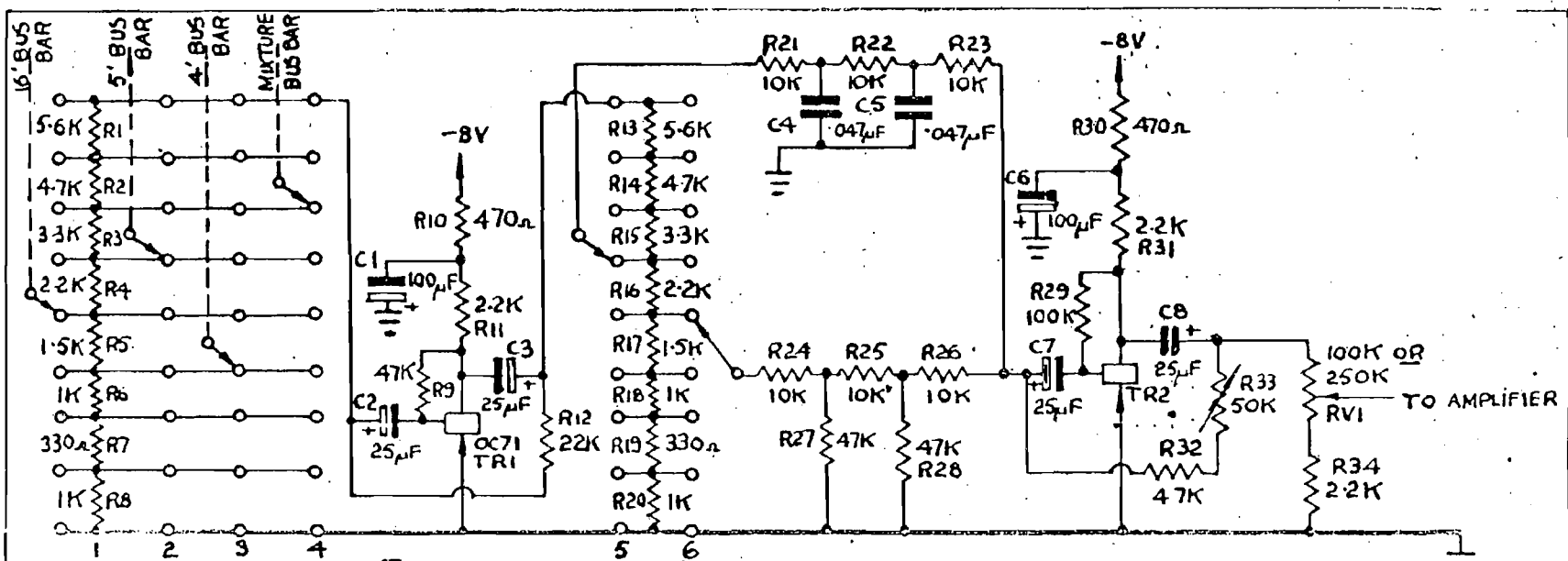
VIEW SHOWING UNDERSIDE
WIRING & TRANSISTOR POSITIONS

JENNINGS MUSICAL INDUSTRIES LTD

COMPONENT BOARD FOR
VIB. POWER PACK

DRN. APP.	CHRD. / 1
DES. APP.	EMD. APP.

CHANGES
ISSUE #
2-4-63



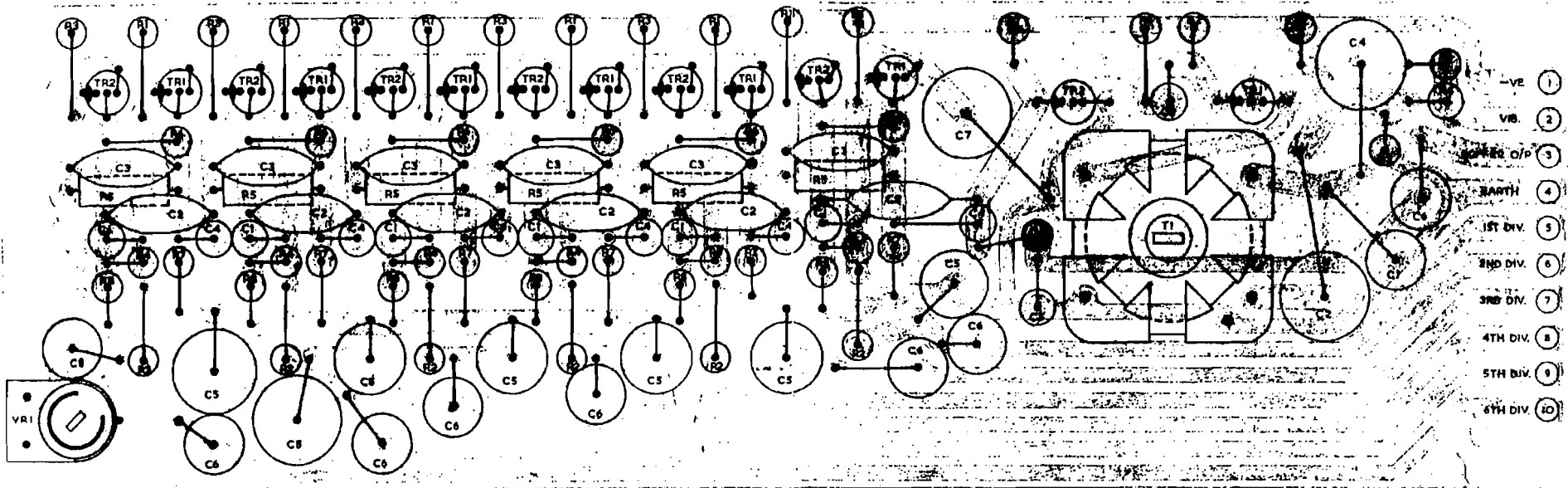
1ST DRAW BARS. 1ST PRE-AMPLIFIER. DRAW BARS. TONE FILTERS. 2ND PRE-AMPLIFIER. SWELL CONTROL.

R1	RES.	5600Ω ± 10%	R9	RES.	47000Ω ± 10%	R13	RES.	5600Ω ± 10%	R27,R28	RES.	47000Ω ± 10%	R29	RES.	100000Ω ± 10%	RV1	POTENT.	100K OR 250K
R2	RES.	4700Ω ± 10%	R11	RES.	2200Ω ± 10%	R14	RES.	4700Ω ± 10%	R21-R26	RES.	10000Ω ± 10%	R33	RES.	50000Ω ± 10%	R34	RES.	2200Ω ± 10%
R3	RES.	3300Ω ± 10%	R10	RES.	470Ω ± 10%	R15	RES.	3300Ω ± 10%	C4, C5	CAPACITOR MULLARD	0.047μF	R32	RES.	4700Ω ± 10%			
R4	RES.	2200Ω ± 10%	C1	CAPACITOR MULLARD	100μF 16V	R16	RES.	2200Ω ± 10%				R31	RES.	2200Ω ± 10%			
R5	RES.	1500Ω ± 10%	C2, C3	CAPACITOR MULLARD	25μF 25V	R17	RES.	1500Ω ± 10%				R30	RES.	470Ω ± 10%	REF. COMP.	VALUE	
R6, R8	RES.	1000Ω ± 10%	TR1	OC71 MULLARD		R18, R20	RES.	1000Ω ± 10%				C6	CAPACITOR MULLARD	100μF 10V			
R7	RES.	330Ω ± 10%				R19	RES.	330Ω ± 10%				C7, C8	CAPACITOR MULLARD	25μF 25V			
												TR2	OC71 MULLARD				
REF. COMP.	VALUE		REF. COMP.	VALUE		REF. COMP.	VALUE		REF. COMP.	VALUE		REF. COMP.	VALUE				

JENNINGS MUSICAL INDUSTRIES LTD
CONTINENTAL ORGAN
CCT. DGM. OF DRAW BARS, TONE FILTERS
PRE-AMPS & SWELL CONTROL

OS/030

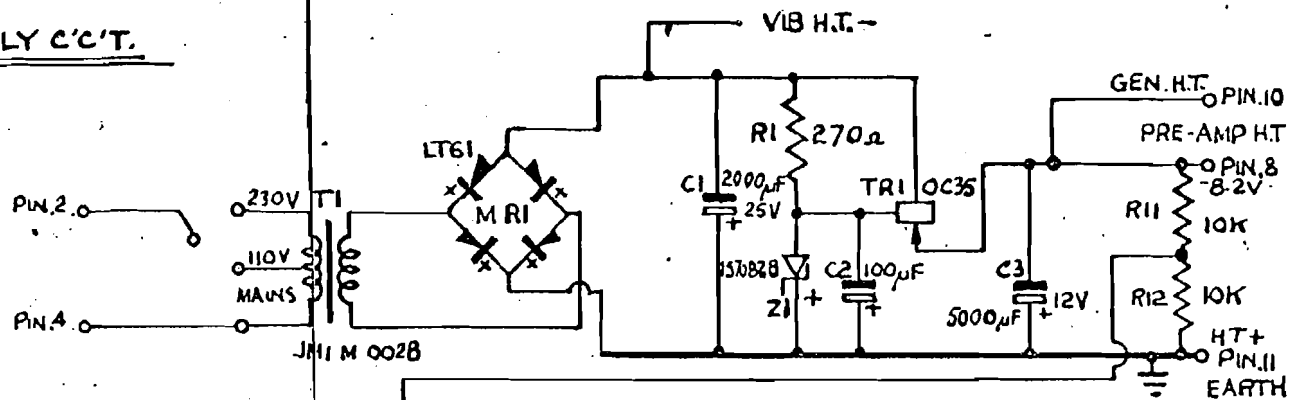
L101800



BOARD VIEWED FROM COMPONENT SIDE

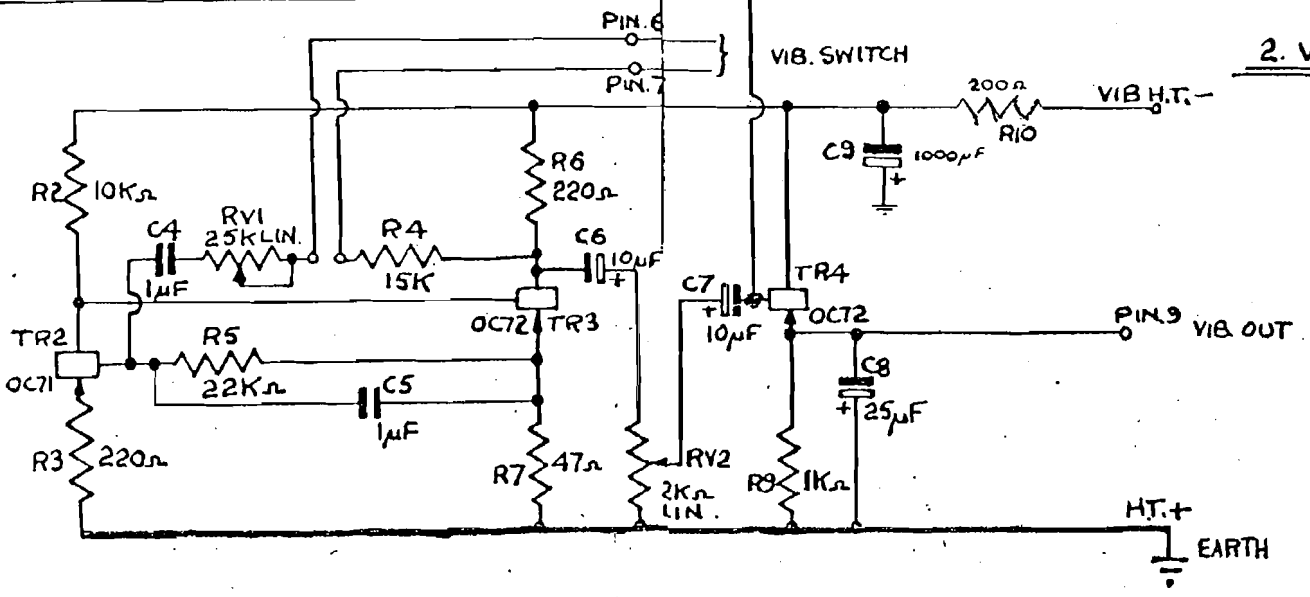
CONTINENTAL ORGAN
7 OCTAVE GENERATOR & DIVIDER BOARD
COMPONENT LAYOUT TO/D49
JENNINGS MUSICAL INDUSTRIES LTD
DARTFORD KENT

1. POWER SUPPLY C'C'T.



CHANGES:
 ISSUE.1.
 28-2-63
 100 & 1000μF
 ADDED C.A.
 ISSUE 2
 21-3-63
 R4 & R12 ADJ
 R8 & R10 DELTD
 C9 DELTD
 110V MAINS AC
 ISS.3. 21-5-63
 R10 WAS
 100Ω M.T.
 ISS.4. 25-9-64
 E.S.

2. VIBRATO C'C'T



JENNINGS MUSICAL INDUSTRIES LTD
 POWER SUPPLY & VIBRATO
 C'C'T FOR TRANS. ORGAN,
 ORN. M.T. CHKD. M.B.
 DES. APP. ENG. APP.

05/028

SERVICE SHEET.

