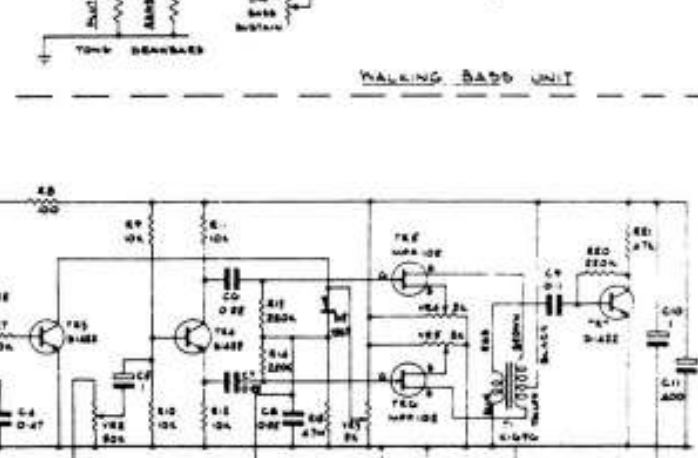
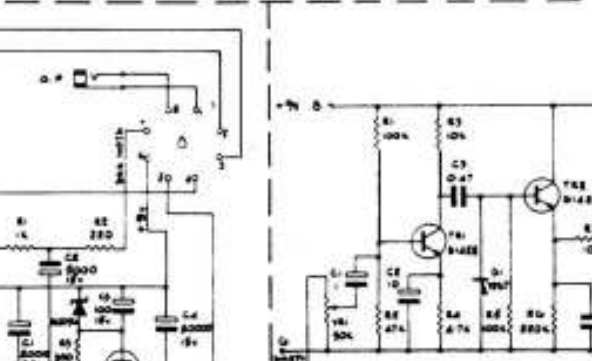
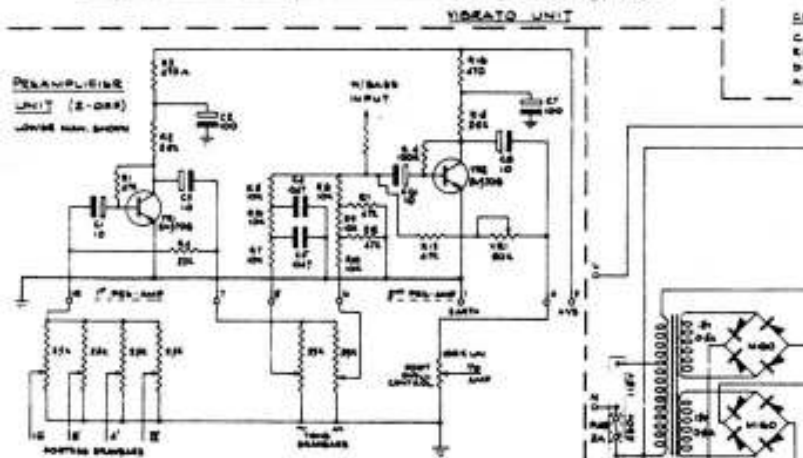


COMPONENT VALUES
 C1 - 0.02 μF C2 - 5.1 μF 25V
 R1 - 100k
 D1 - 1N4148 VEGT
 ALL TRANSISTORS 2N3708 AS SHOWN



DATE	TIME	BY	TESTED	APPROVED
TITLE		Dwg No.		
2-MANUAL CONDITIONAL I		TMO/030		
CIRCUIT DIAGRAM				

NOTE: REFER TO THE LEGEND WHEN CONNECTING TO DEAN-75.

9V BATT
 TO TRAP
 OR DEAN-75