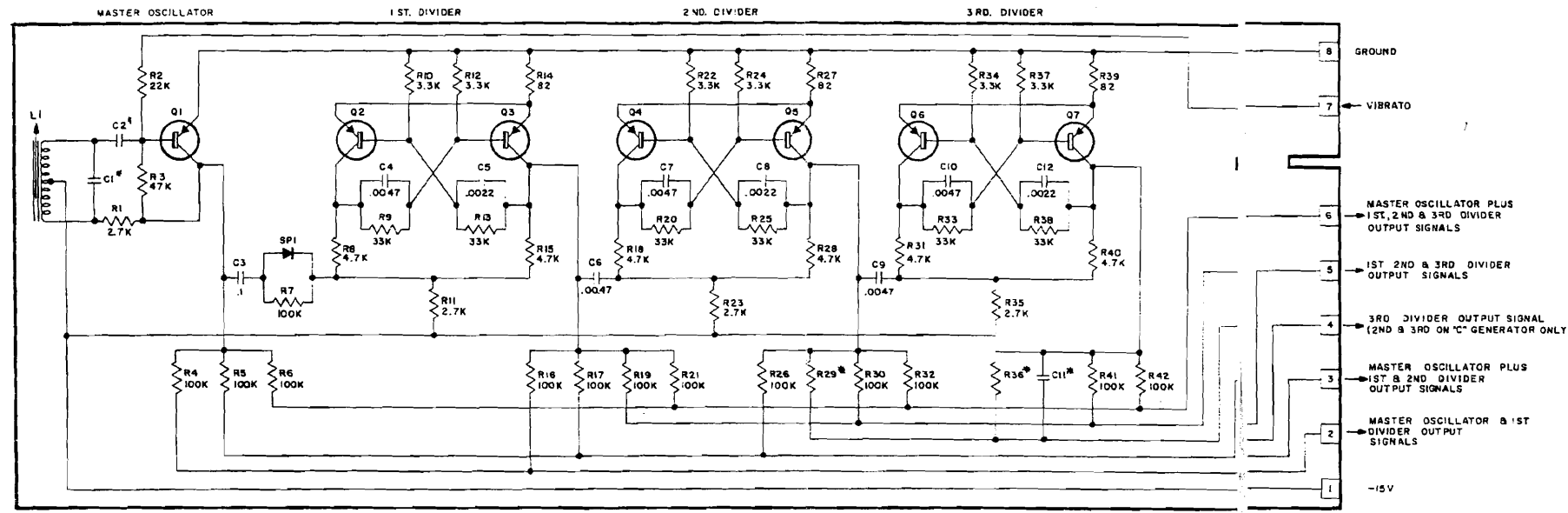
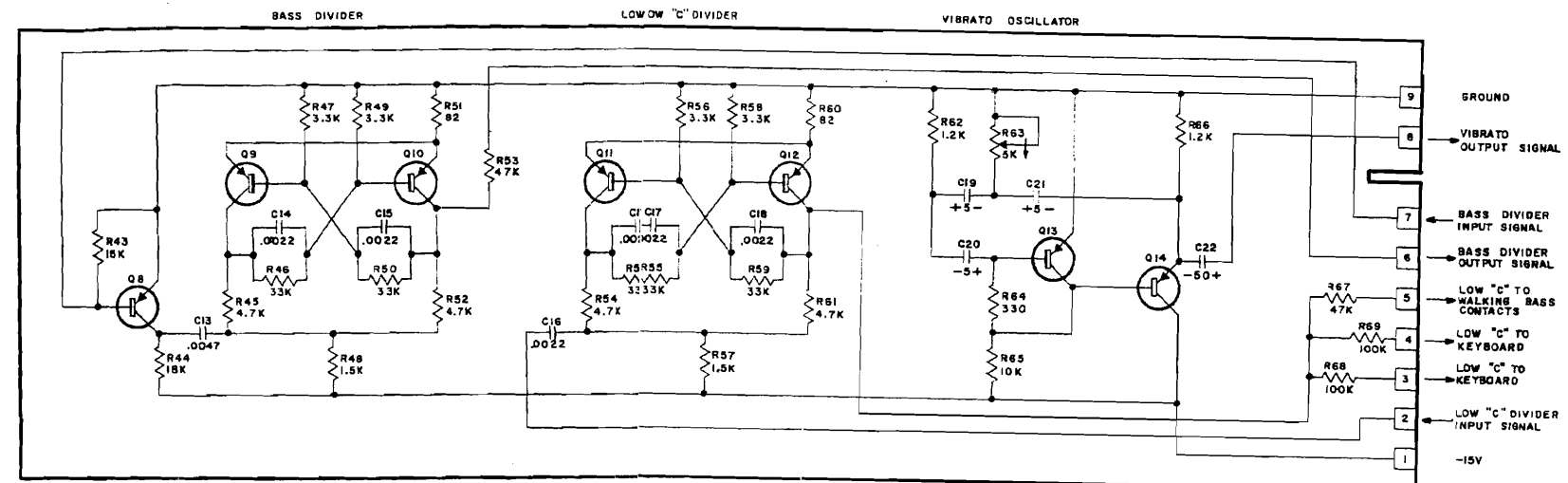


TONE GENERATOR SCHEMATIC

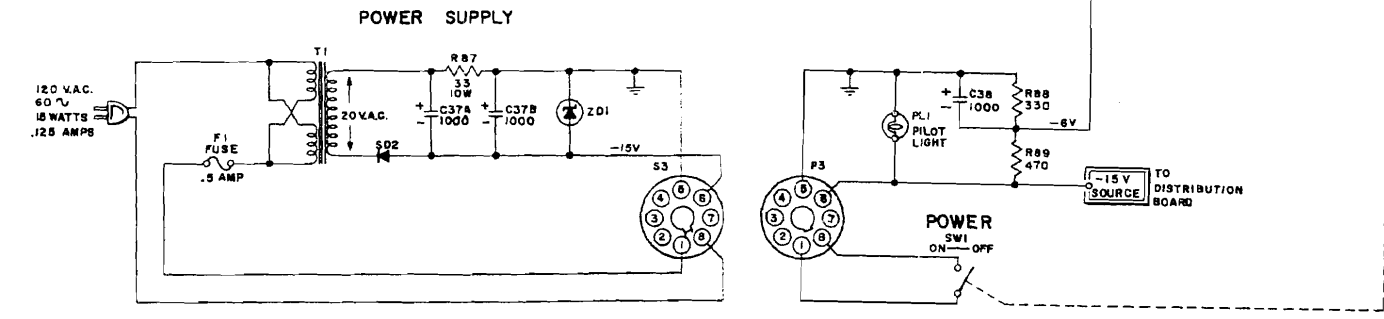
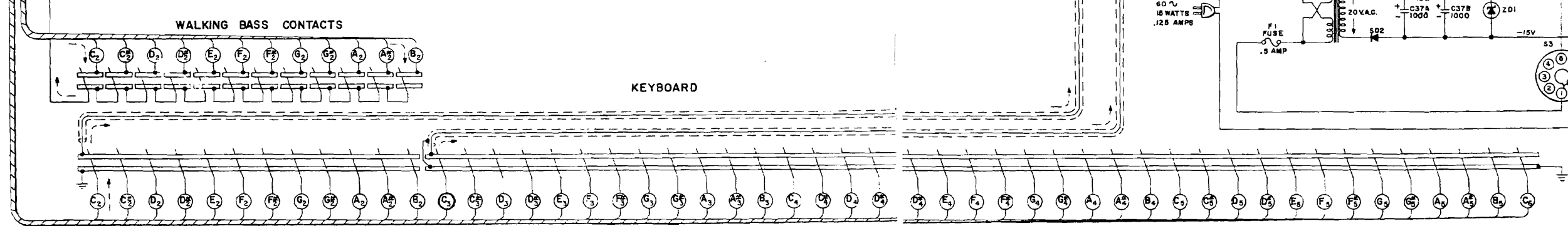
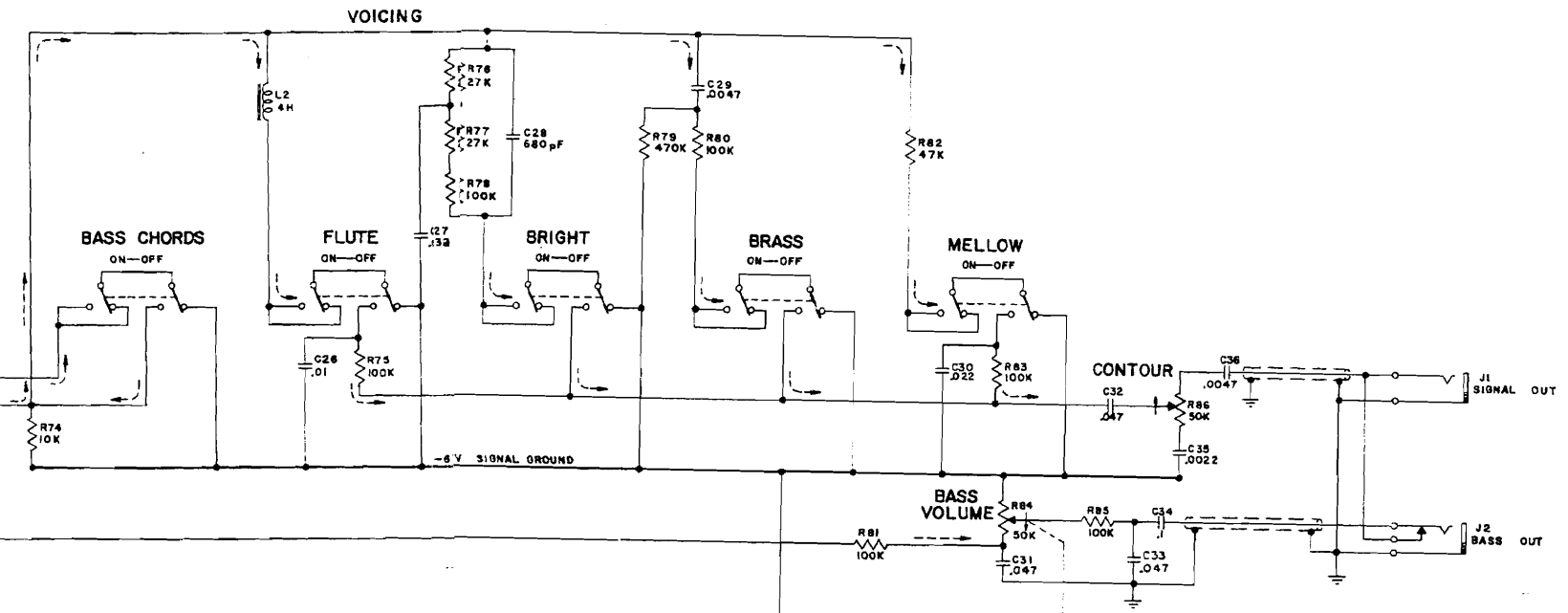
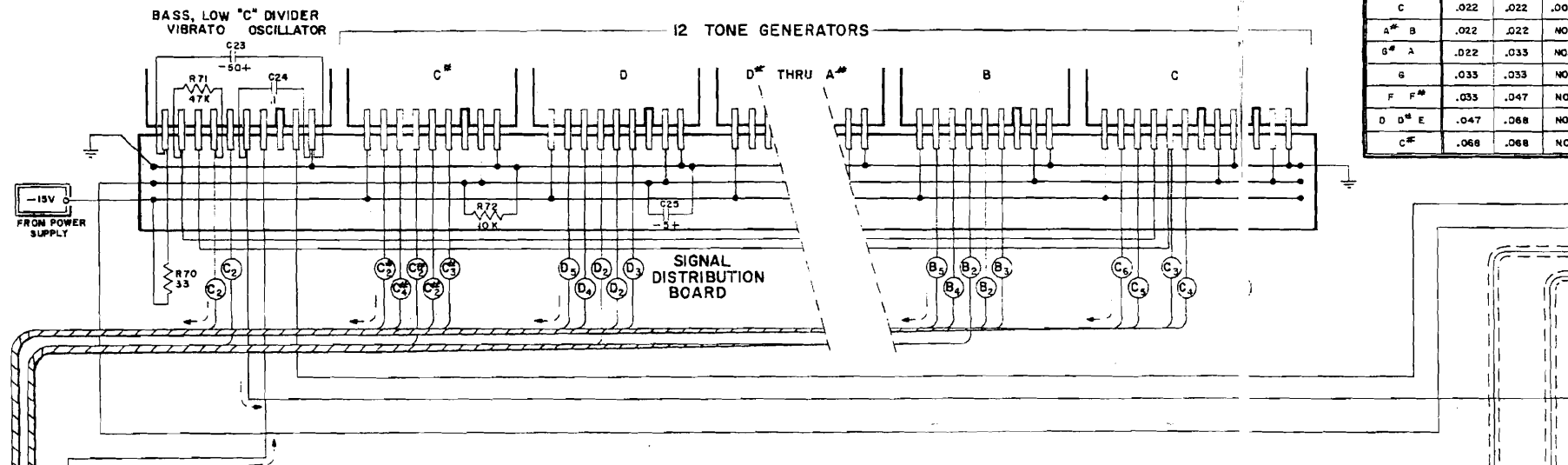


BASS, LOW 'C' DIVIDER AND VIBRATO OSCILLATOR



*ALTERNATE VALUES OF CAP. C1, C2, C11 B RES. R29 & R36

GENERATOR	C1	C2	C11	R29	R36
C	.022	.022	.0047	55K	NONE
A [#] B	.022	.022	NONE	NONE	47K
G [#] A	.022	.033	NONE	NONE	47K
G	.033	.033	NONE	NONE	47K
F F [#]	.033	.047	NONE	NONE	47K
D D [#] E	.047	.068	NONE	NONE	47K
C [#]	.068	.068	NONE	NONE	47K



JAGUAR
V304E2

NATIONAL SERVICE DEPARTMENT
1728 WOODLEY AVE. - SEPULVEDA, CALIFORNIA 91343