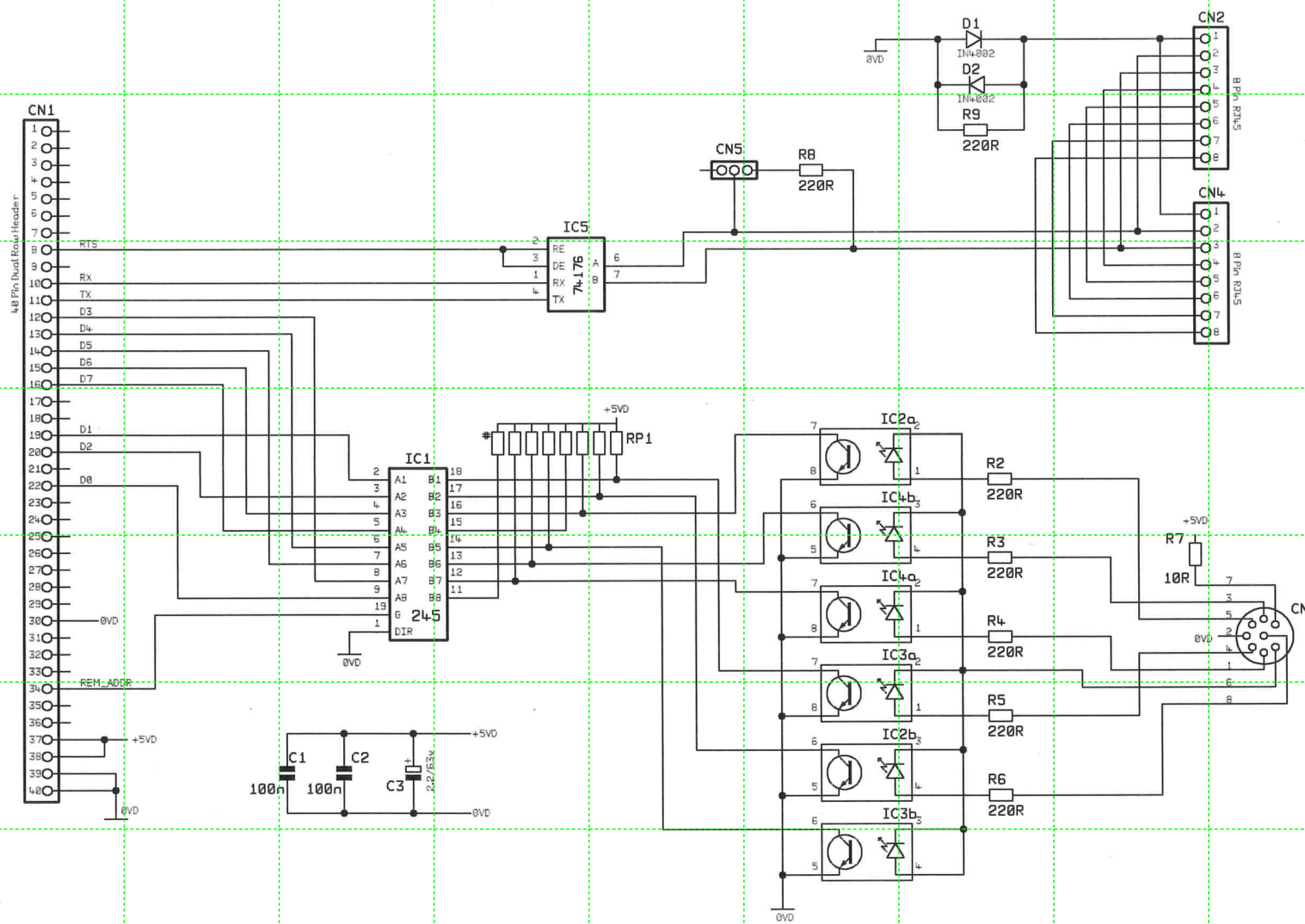


A B C D E F G H I J K

1
2
3
4
5
6
7
8



Memory Recall Numbers Simple Mode					
Pin.1	Pin.3	Pin.4	Pin.5	Pin.8	Memory
X	X				1
		X			2
			X		3
				X	4
					5

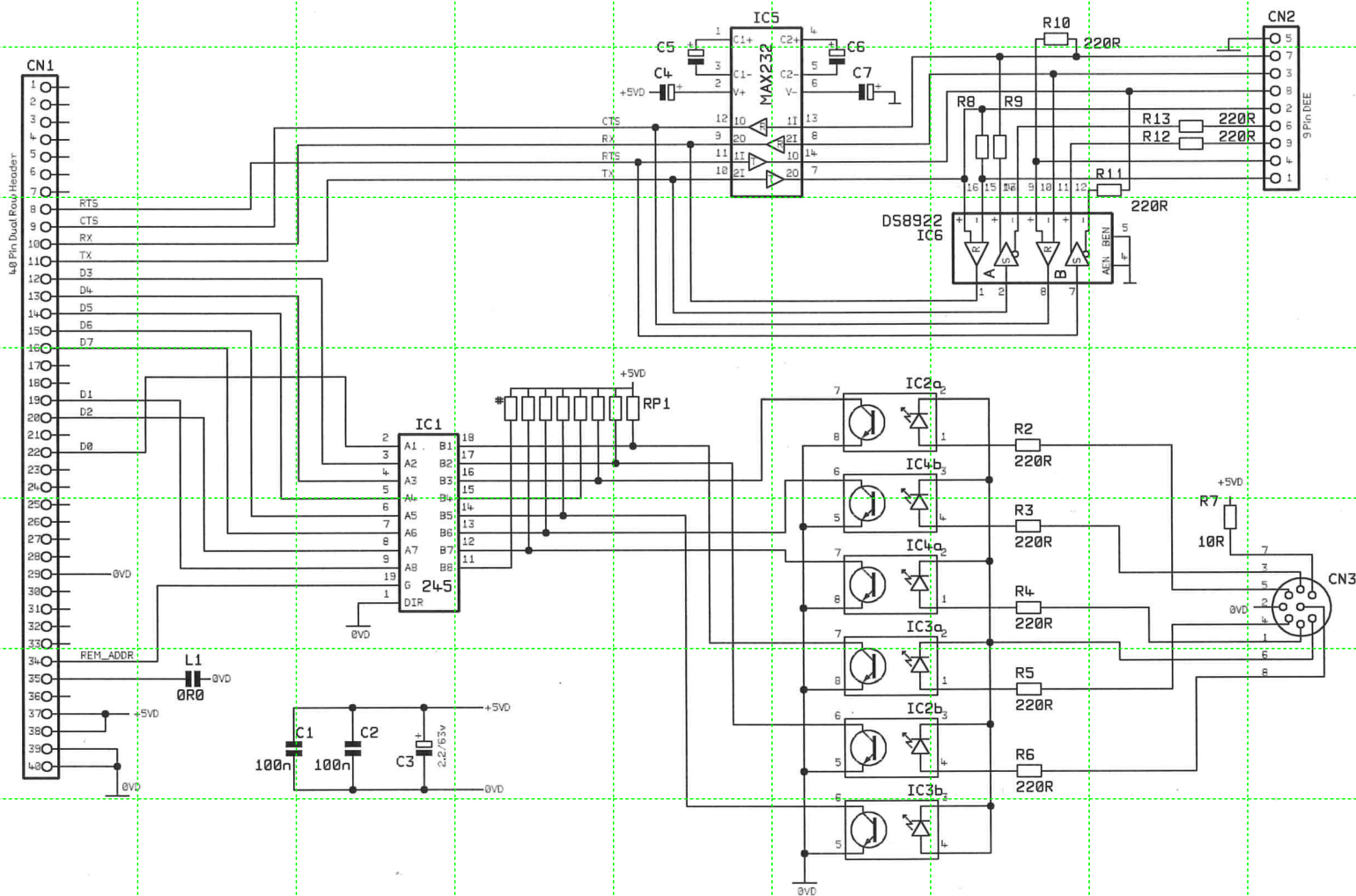
Memory Recall Numbers Binary Mode					
Pin.1	Pin.3	Pin.4	Pin.5	Pin.8	Memory
X					1
	X				2
X	X				3
		X			4
X		X			5
	X	X			6
X	X	X			7
			X		8
X			X		9
	X		X		10
X	X		X		11
		X	X		12
X		X	X		13
	X	X	X		14
X	X	X	X		15
				X	16
X				X	17
	X			X	18
X	X			X	19
		X		X	20
X		X		X	21
	X	X		X	22
X	X	X		X	23
			X	X	24
X			X	X	25
	X		X	X	26
X	X		X	X	27
		X	X	X	28
X	X	X	X	X	29
	X	X	X	X	30
X	X	X	X	X	31

Unit: DP100/200/202
Delay Line / Equaliser
RS485 & GPI Option

Copyright XTA
 Electronics 2001

A B C D E F G H I J K

1
2
3
4
5
6
7
8



Memory Recall Numbers Simple Mode

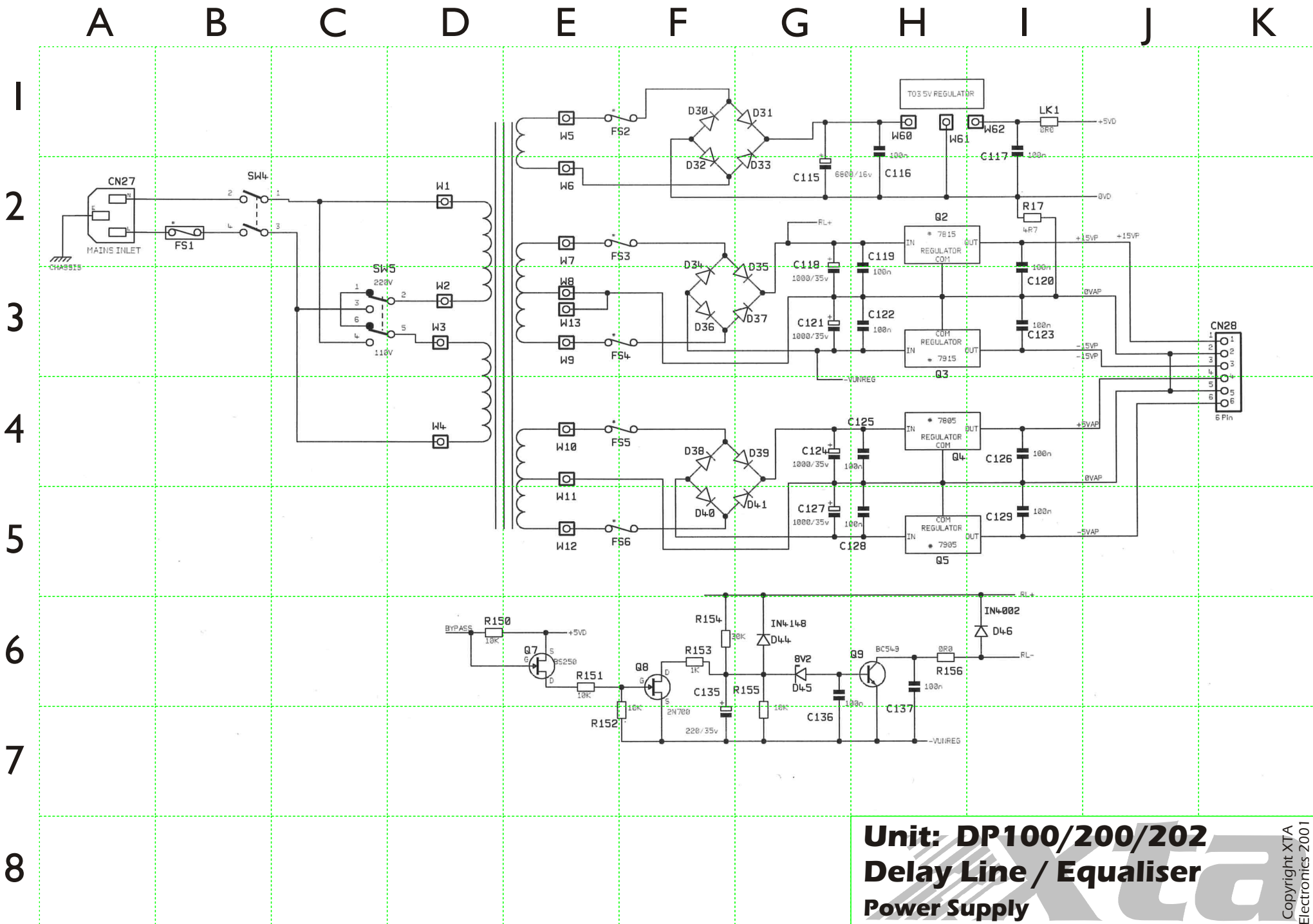
Pin.1	Pin.3	Pin.4	Pin.5	Pin.8	Memory
X	X				1
X	X				2
		X			3
			X		4
				X	5

Memory Recall Numbers Binary Mode

Pin.1	Pin.3	Pin.4	Pin.5	Pin.8	Memory
X					1
X	X				2
X	X				3
		X			4
X		X			5
X	X	X			6
X	X	X			7
X	X		X		8
X	X		X		9
X	X		X	X	10
X	X		X	X	11
X	X		X	X	12
X	X	X	X		13
X	X	X	X		14
X	X	X	X		15
X				X	16
X				X	17
X	X			X	18
X	X			X	19
X		X		X	20
X	X	X		X	21
X	X	X		X	22
X	X	X		X	23
X			X	X	24
X			X	X	25
X	X		X	X	26
X	X		X	X	27
X		X	X	X	28
X		X	X	X	29
X	X	X	X	X	30
X	X	X	X	X	31

Unit: DP100/200/202
Delay Line / Equaliser
RS232 & GPI Option

Copyright XTA
 Electronics 2001



Unit: DP100/200/202
Delay Line / Equaliser
Power Supply

Copyright XTA
 Electronics 2001

A B C D E F G H I J K

1

2

3

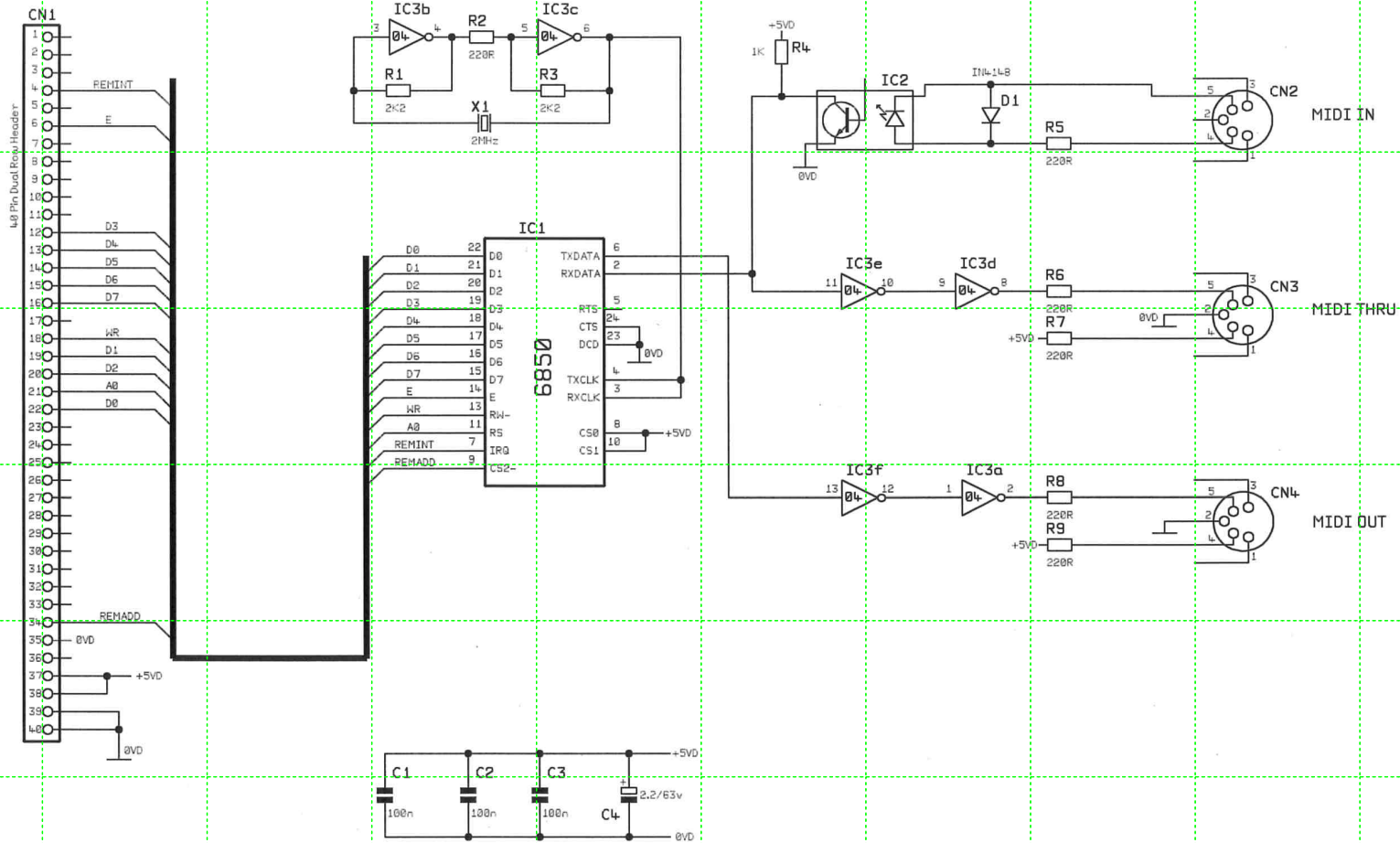
4

5

6

7

8

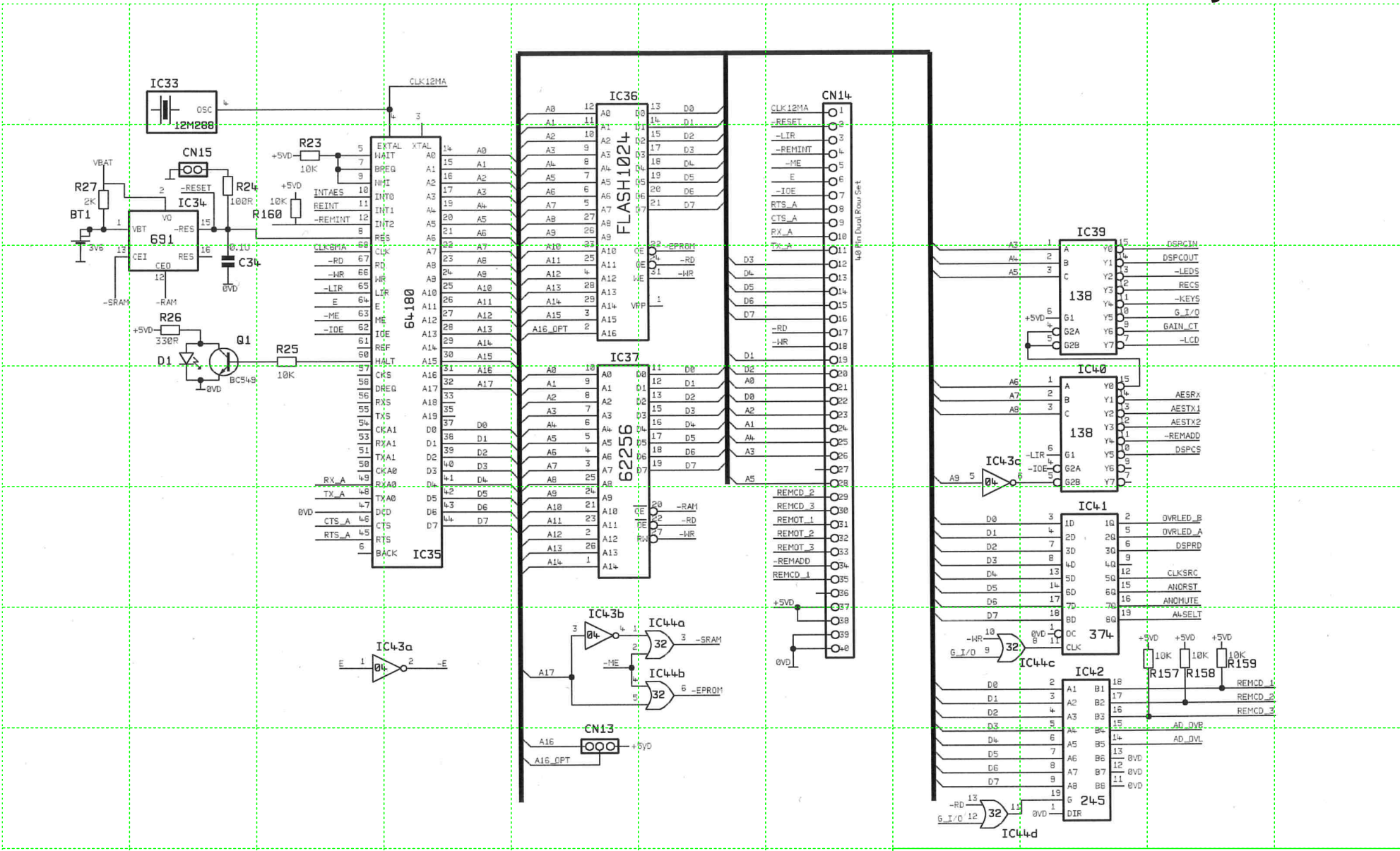


Unit: DP100/200/202
Delay Line / Equaliser
MIDI Interface Option

Copyright XTA
Electronics 2001

A B C D E F G H I J K

1
2
3
4
5
6
7
8

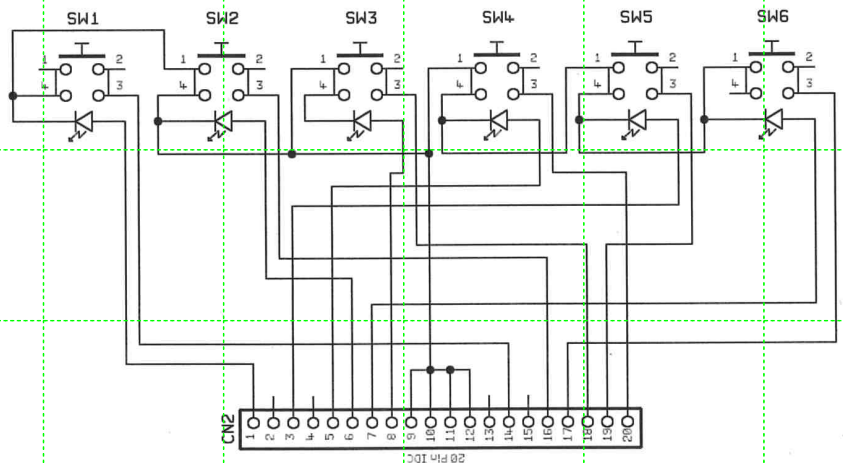
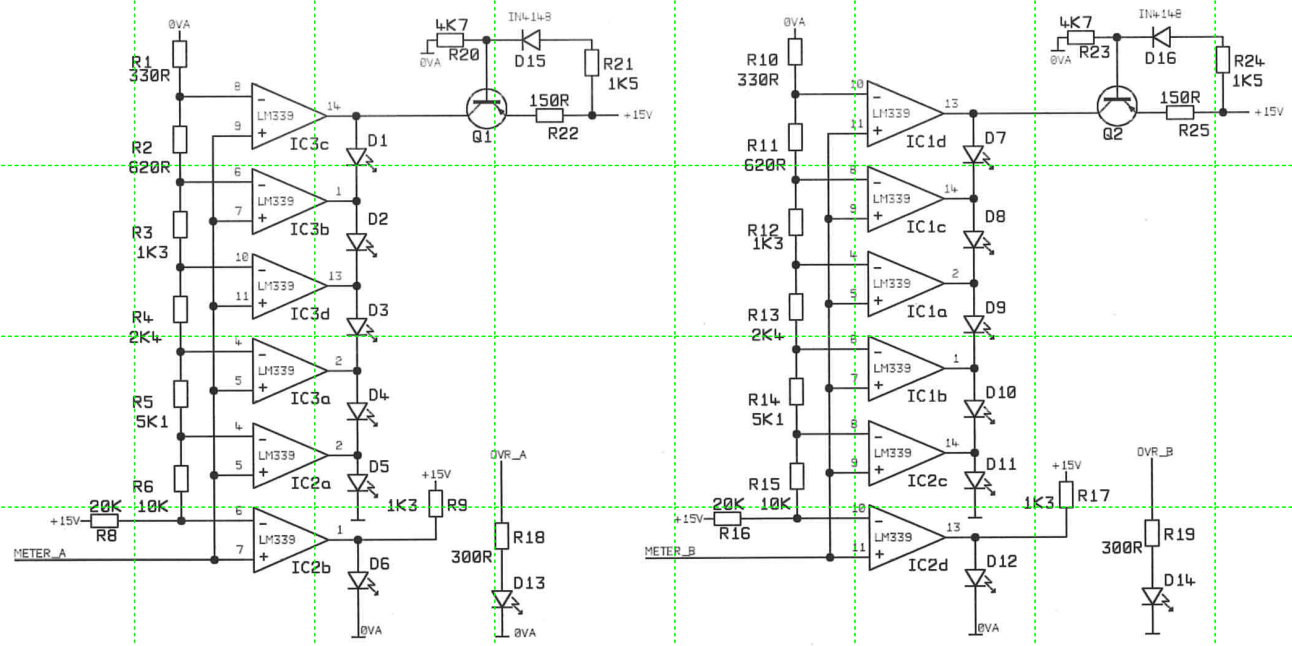
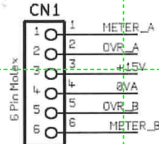


Unit: DP100/200/202
Delay Line / Equaliser
Host Microprocessor

Copyright XTA Electronics 2001

A B C D E F G H I J K

1
2
3
4
5
6
7
8

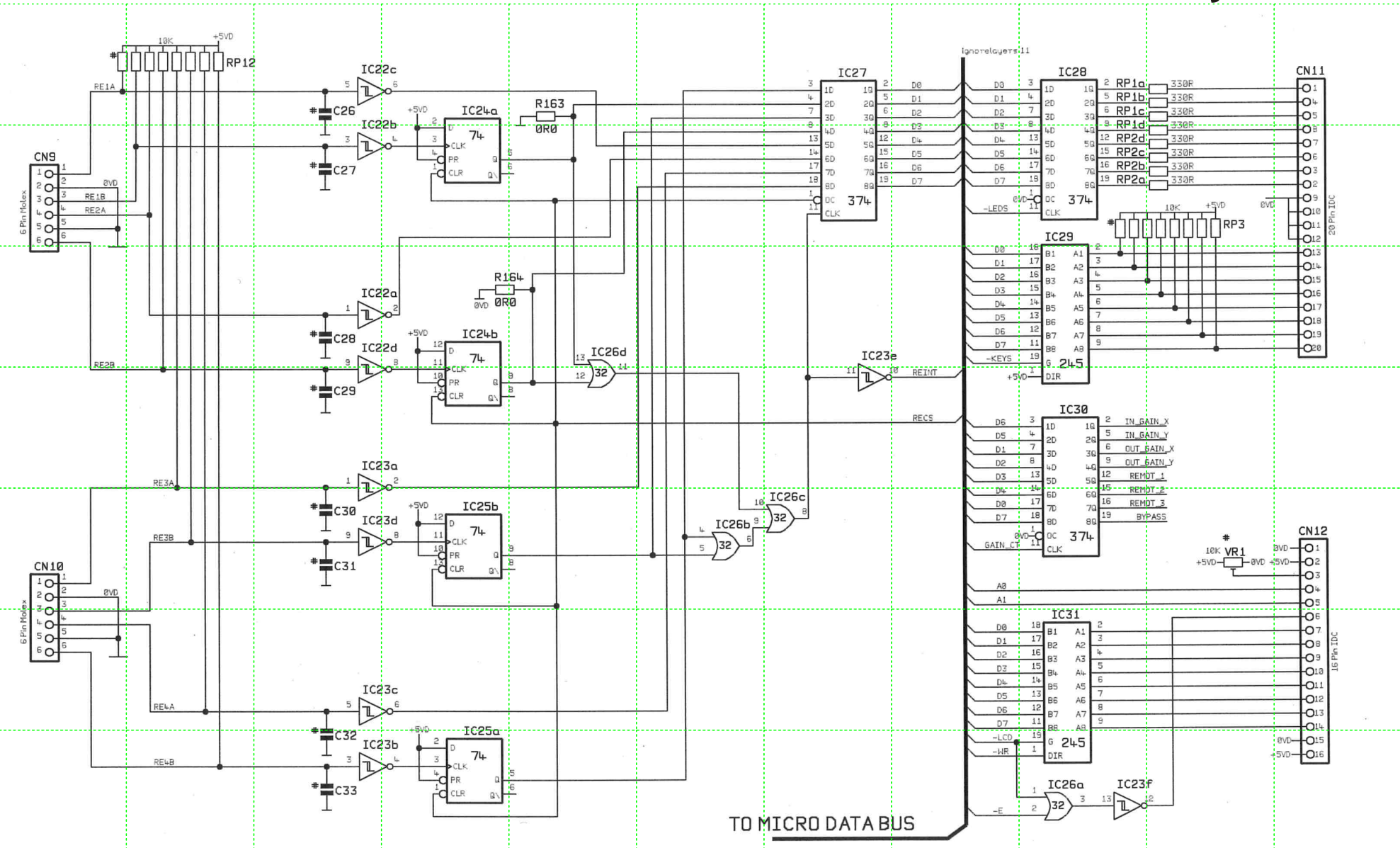


Unit: DP100/200/202
Delay Line / Equaliser
Meters & Front Panel Switches

Copyright XTA Electronics 2001

A B C D E F G H I J K

1
2
3
4
5
6
7
8



Unit: DP100/200/202
Delay Line / Equaliser
Encoders & Latches

Copyright XTA
 Electronics 2001

A B C D E F G H I J K

1

2

3

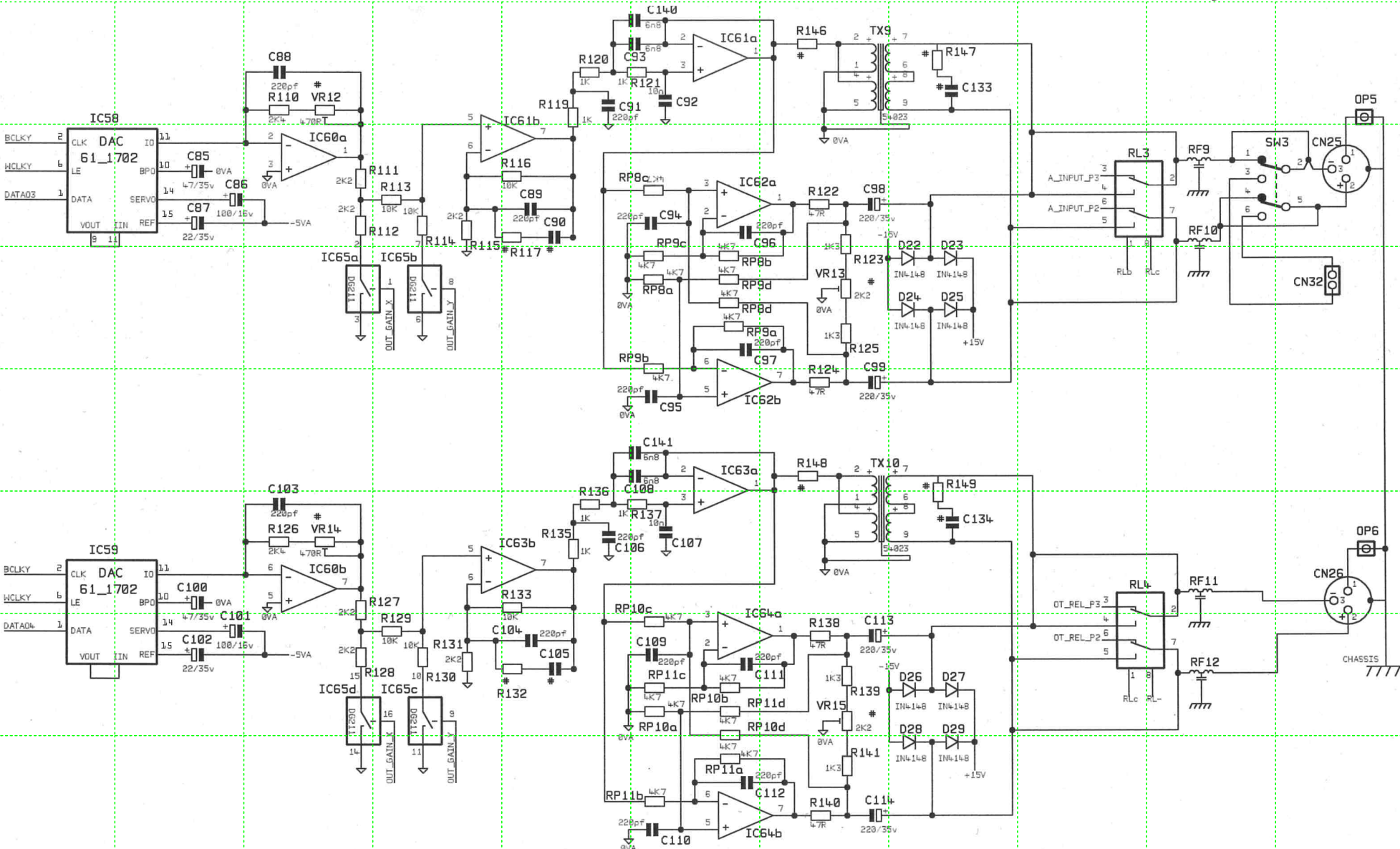
4

5

6

7

8



Unit: DP100/200/202
Delay Line / Equaliser
Analogue Outputs 3 & 4

Copyright XTA
Electronics 2001

A B C D E F G H I J K

1

2

3

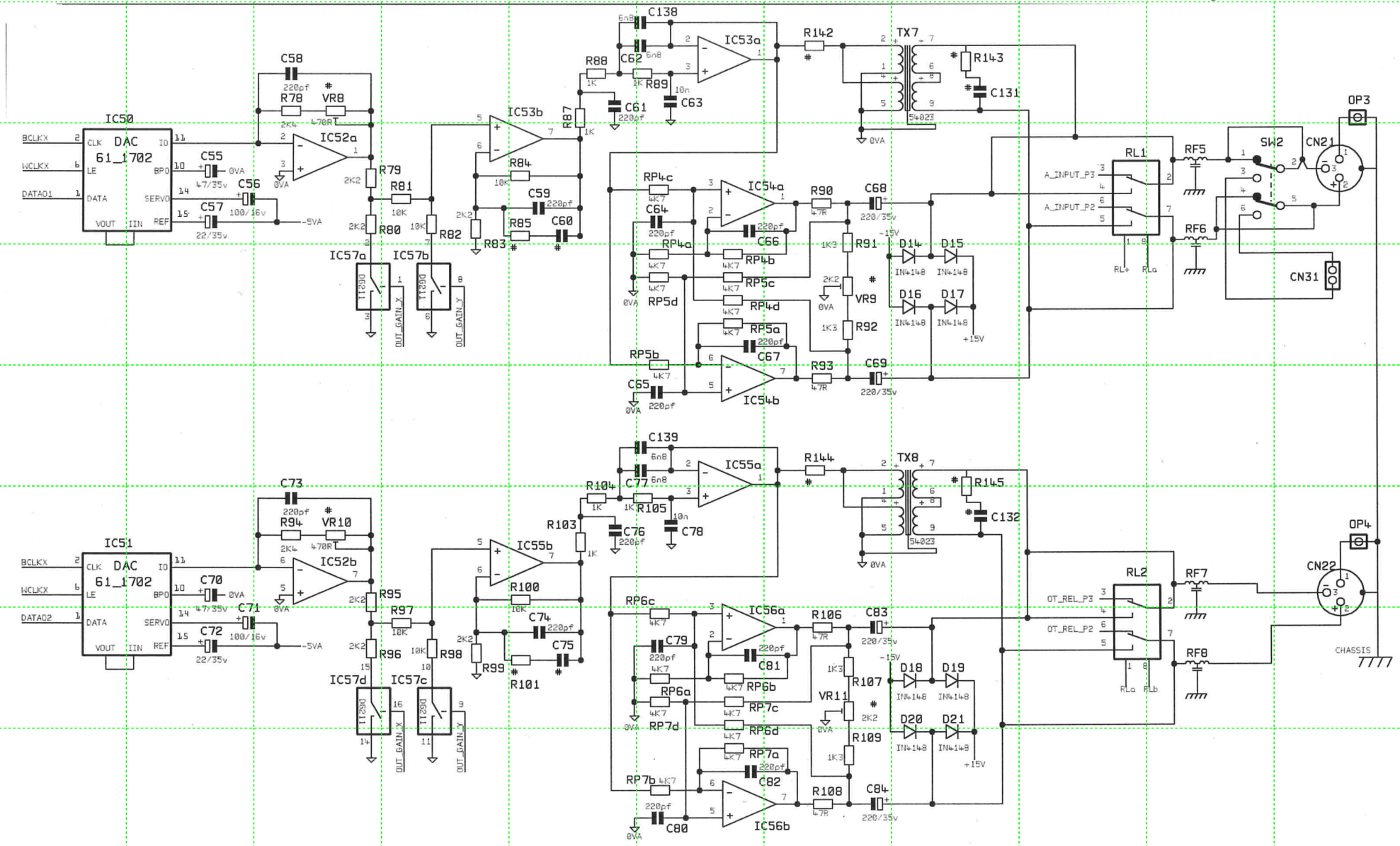
4

5

6

7

8

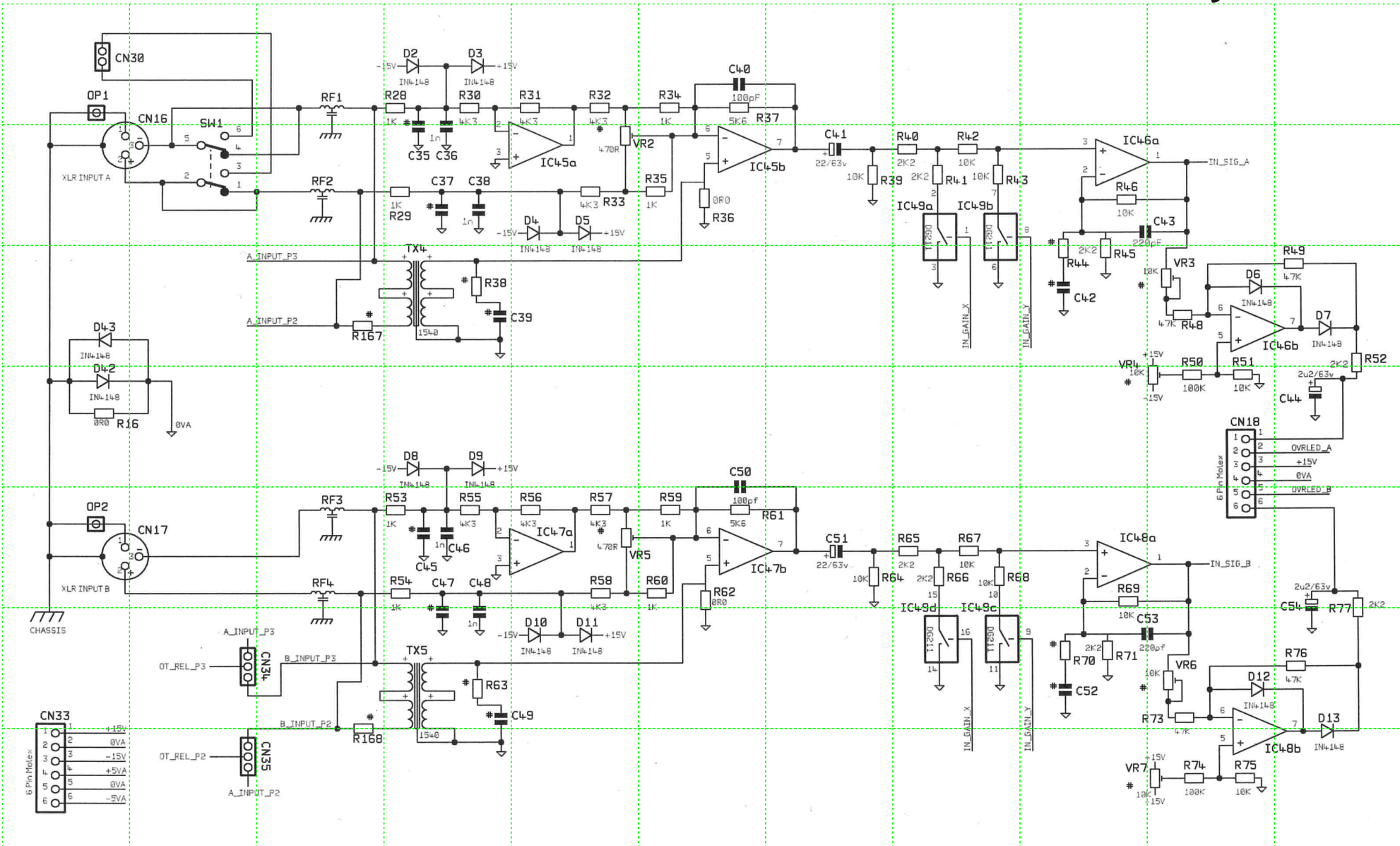


Unit: DP100/200/202
Delay Line / Equaliser
Analogue Outputs 1 & 2

Copyright XTA
 Electronics 2001

A B C D E F G H I J K

1
2
3
4
5
6
7
8



Unit: DP100/200/202
Delay Line / Equaliser
Analogue Inputs

Copyright XTA
 Electronics 2001

A B C D E F G H I J K

1

2

3

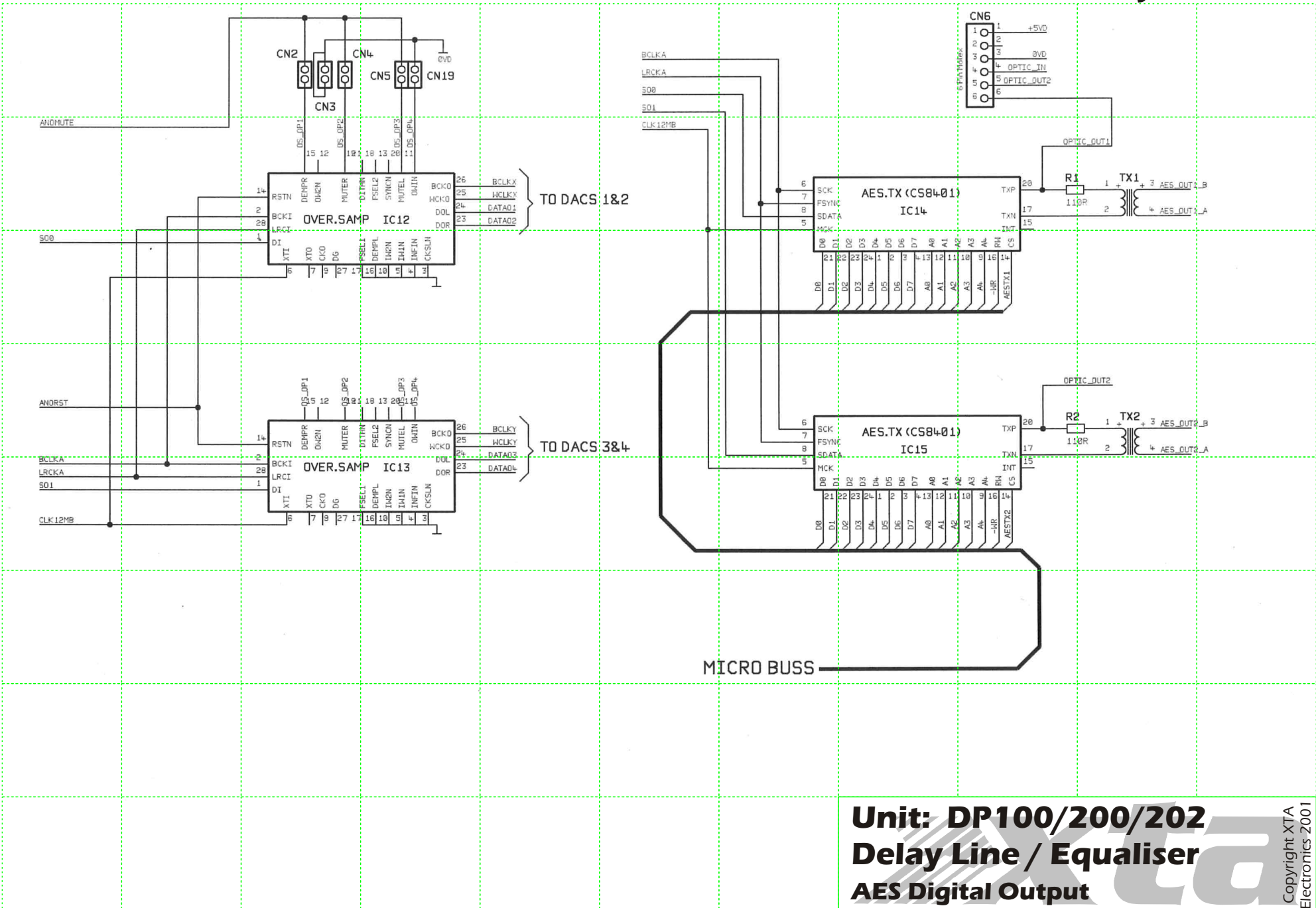
4

5

6

7

8

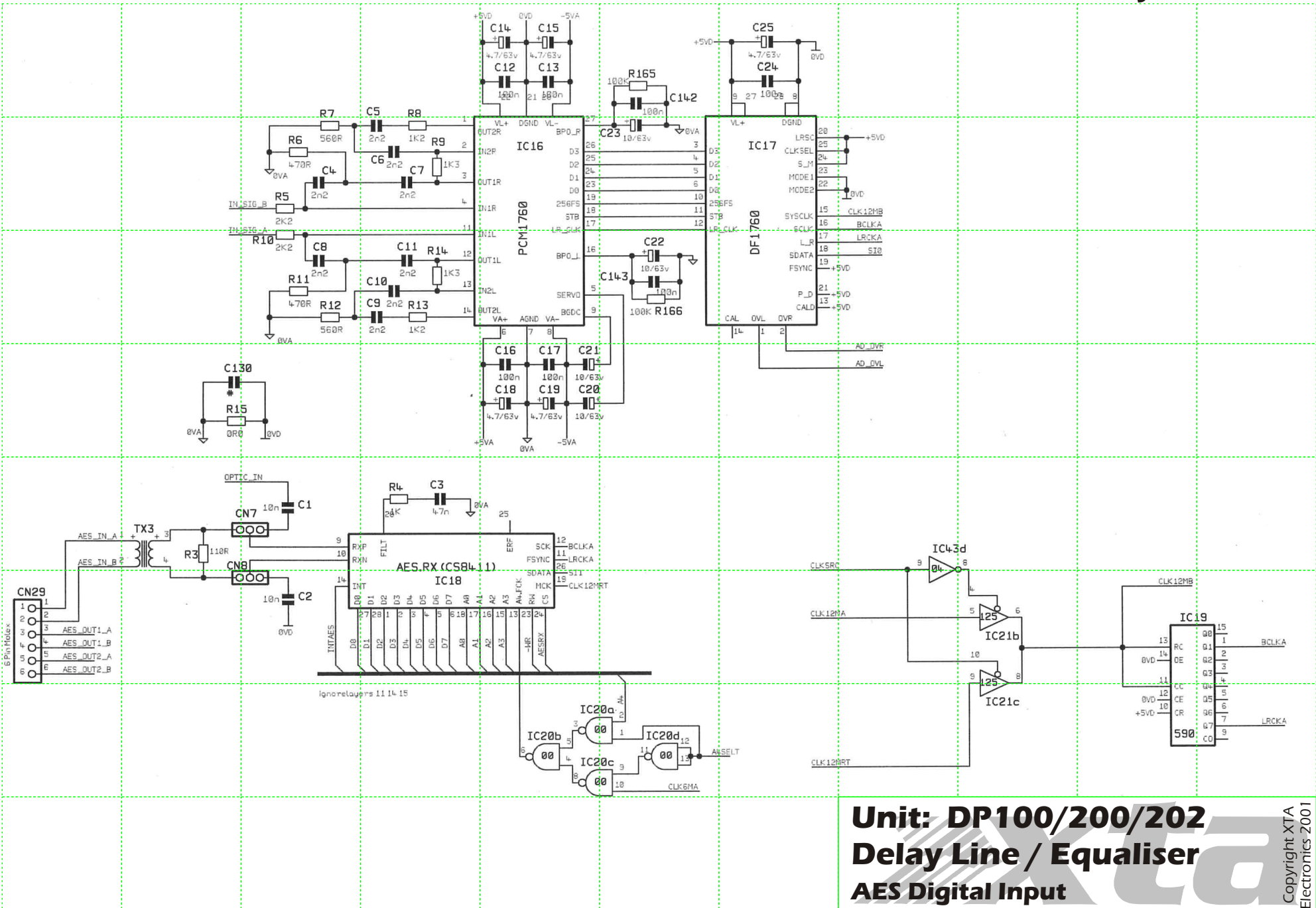


Unit: DP100/200/202
Delay Line / Equaliser
AES Digital Output

Copyright XTA
 Electronics 2001

A B C D E F G H I J K

1
2
3
4
5
6
7
8



Unit: DP100/200/202
Delay Line / Equaliser
AES Digital Input

Copyright XTA
 Electronics 2001