

# DIGITAL REVERBERATOR

# REV500

## SERVICE MANUAL



### ■ CONTENTS (目次)

SPECIFICATIONS (総合仕様) .....	2
PANEL LAYOUT (パネルレイアウト) .....	4
BLOCK DIAGRAM (ブロックダイアグラム) .....	5
CIRCUIT BOARD LAYOUT (ユニットレイアウト) .....	6
DIMENSIONS (寸法図) .....	6
DISASSEMBLY PROCEDURE (分解手順) .....	7
LSI PIN DESCRIPTION (LSI端子機能表) .....	11
IC BLOCK DIAGRAM (ICブロック図) .....	13
CIRCUIT BOARDS (シート基板図) .....	15
INSPECTIONS (検査仕様) .....	20/23
TEST PROGRAM (テストプログラム) .....	21/24
ERROR MESSAGES (エラーメッセージ) .....	22/25
MIDI DATA FORMAT (MIDIデータフォーマット) .....	26
MIDI IMPLEMENTATION CHART .....	29
OVERALL CIRCUIT DIAGRAM	
PARTS LIST	

### IMPORTANT NOTICE

This manual has been provided for the use of authorized Yamaha Retailers and their service personnel. It has been assumed that basic service procedures inherent to the industry, and more specifically Yamaha Products, are already known and understood by the users, and have therefore not been restated.

**WARNING:** Failure to follow appropriate service and safety procedures when servicing this product may result in personal injury, destruction of expensive components and failure of the product to perform as specified. For these reasons, we advise all Yamaha product owners that all service required should be performed by an authorized Yamaha Retailer or the appointed service representative.

**IMPORTANT:** This presentation or sale of this manual to any individual or firm does not constitute authorization, certification, recognition of any applicable technical capabilities, or establish a principal-agent relationship of any form.

The data provided is believed to be accurate and applicable to the unit(s) indicated on the cover. The research engineering, and service departments of Yamaha are continually striving to improve Yamaha products. Modifications are, therefore, inevitable and changes in specification are subject to change without notice or obligation to retrofit. Should any discrepancy appear to exist, please contact the distributor's Service Division.

**WARNING:** Static discharges can destroy expensive components. Discharge any static electricity you body may have accumulated by grounding yourself to the ground buss in the unit (heavy gauge black wires connect to this buss.)

**IMPORTANT:** Turn the unit OFF during disassembly and parts replacement. Recheck all work before you apply power to the unit.

### LITHIUM BATTERY HANDLING

This product uses a lithium battery for memory back-up.

**WARNING:** Lithium batteries are dangerous because they can be exploded by improper handling. Observe the following precautions when handling or replacing lithium batteries.

- Leave lithium battery replacement to qualified service personnel.
- Always replace with batteries of the same type.
- When installing on the PC board by soldering, solder using the connection terminals provided on the battery cells. Never solder directly to the cells. Perform the soldering as quickly as possible.
- Never reverse the battery polarities when installing.
- Do not short the batteries.
- Do not attempt to recharge these batteries.
- Do not disassemble the batteries.
- Never heat batteries or throw them into fire.

#### ADVARSEL!

Lithiumbatteri-Eksplosionsfare ved fejlagtig håndtering. Udskiftning må kun ske med batteri af samme fabrikat og type. Levér det brugte batteri tilbage til leverandøren.

#### VARNING

Explosionsfara vid felaktigt batteribyte. Använd samma batterityp eller en ekvivalent typ som rekommenderas av apparattillverkaren. Kassera använt batteri enligt fabrikantens instruktion.

#### VAROITUS

Paristo voi räjähtää, jos se on virheellisesti asennettu. Vaihda paristo ainoastaan laitevalmistajan suosittelemaan tyyppiin. Hävitä käytetty paristo valmistajan ohjeiden mukaisesti.

The following information complies with Dutch Official Gazette 1995. 45; ESSENTIALS OF ORDER ON THE COLLECTION OF BATTERIES.

- Please refer to the disassembly procedure for the removal of Back-up Battery.
- Leest u voor het verwijderen van de backup batterij deze beschrijving.

### WARNING: CHEMICAL CONTENT NOTICE!

The solder used in the production of this product contains LEAD. In addition, other electrical/electronic and/or plastic (where applicable) components may also contain traces of chemicals found by the California Health and Welfare Agency (and possibly other entities) to cause cancer and/or birth defects or other reproductive harm.

**DO NOT PLACE SOLDER, ELECTRICAL/ELECTRONIC OR PLASTIC COMPONENTS IN YOUR MOUTH FOR ANY REASON WHAT SO EVER!**

Avoid prolonged, unprotected contact between solder and your skin! When soldering, do not inhale solder fumes or expose eyes to solder/flux vapor!

If you come in contact with solder or components located inside the enclosure of this product, wash your hands before handling food.

#### ■ WARNING

Components having special characteristics are marked  $\triangle$  and must be replaced with parts having specification equal to those originally installed.

$\triangle$ 印の商品は、安全を維持するために重要な部品です。交換する場合は、安全のため必ず指定の部品をご使用下さい。

## ■ SPECIFICATIONS

### ELECTRICAL CHARACTERISTICS

Frequency Response	20 Hz to 20 kHz (+1.0 dB, -2.0 dB)
Dynamic Range	96 dB typical
Distortion	Less than 0.03% (1 kHz, max level)

### INPUT

Number of Channels	2 (phone or XLR jack)
Nominal Level	+4 or -10 dB (selected by rear panel switch)
Impedance	20 kΩ

### OUTPUT

Number of Channels	2 (phone or XLR jack)
Nominal Level	+4 or -10 dB (selected by rear panel switch)
Impedance	150 kΩ

### AD/DA CONVERSION

AD Conversion	20 bit (64X oversampling)
DA Conversion	20 bit (8X oversampling)
Sampling Frequency	44.1 kHz

### PROGRAM MEMORY

Memory areas	PRESET (read-only), USER (read/write)
Memory configuration	Four program types (HALL, ROOM, PLATE, SPECIAL) with 25 programs per type.

### FRONT PANEL

Switches

PROGRAM TYPE,  
PRESET/USER,  
PROGRAM NUMBER -,  
PROGRAM NUMBER +,  
EFF LEVEL, STORE,  
AUDITION, UTILITY,  
POWER

Rotary Controls

INPUT LEVEL,  
PRE DELAY, REV TIME,  
HI-RATIO, ER LEVEL

Display

Stereo input level LED (-24,  
-12, -6, CLIP), LCD,  
EFF LEVEL LED,  
UTILITY LED

### REAR PANEL

Connectors

INPUT L/R (1/4" phone),  
INPUT L/R (XLR),  
FOOT SW (1/4" phone),  
OUTPUT L/R (1/4" phone),  
OUTPUT L/R (XLR),  
MIDI IN, MIDI OUT

Switches

Input level selector,  
output level selector

### POWER REQUIREMENTS

USA and Canada	120V AC, 60 Hz
General	230V AC, 50 Hz

**POWER CONSUMPTION** 15W

### PHYSICAL

Dimensions (W x H x D)	480 mm x 45 mm x 227.9 mm
Weight	3.5 kg

### OPTION

Footswitch FC5

## ■ 総合仕様

### 電気的特性

周波数特性	20Hz~20kHz(0+1.0, -2.0dB)
ダイナミックレンジ	96dB Typical
歪率 *1	0.03%以下(1kHz最大レベル)

### 入力

チャンネル数	2(電子バランス)
定格入力	+4/-10dB(レベル切り替えSW付)
インピーダンス	20k $\Omega$

### 出力

チャンネル数	2(電子バランス)
定格出力	+4/-10dB(レベル切り替えSW付)
インピーダンス	150 $\Omega$

### AD/DA変換

AD変換	20ビット 64倍オーバーサンプリング
DA変換	20ビット 8倍オーバーサンプリング
サンプリングレート	44.1kHz

### プログラム

プログラム数	200
--------	-----

### フロントパネル

ノブ	INPUT LEVEL、PRE DELAY、 REV TIME、HI-RATIO、ER LEVEL
キー	TYPE、PRESET/USER、-、+、 STORE、AUDITION、EFF LEVEL、 UTILITY
ディスプレイ	INPUT LEVEL LED(4セグメント×2)、 LCD、EFF LEVEL LED、 UTILITY LED

### リアパネル

コネクター	INPUT L/R(XLR×2、PHONEX2)、 OUTPUT L/R(XLR×2、PHONEX2)、 FOOT SW.(PHONE)、 MIDI IN、MIDI OUT
スイッチ	INPUT LEVEL(+4/-10)、 OUTPUT LEVEL(+4/-10)

### 電源

100V 50/60Hz

### 消費電力

11W

### 最大外形寸法(W×H×D)

480×227.9×45mm

### 重量

3.5kg

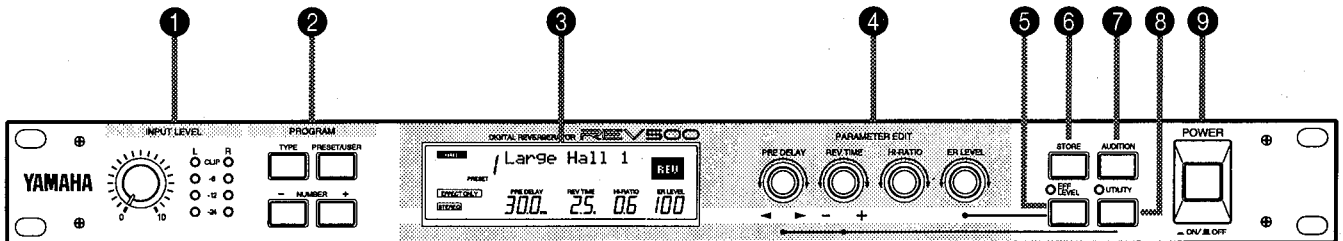
### オプション

フットスイッチFC5

- \*1 歪率の測定にはCD用フィルター(~20kHz LPF)を使用
- ◆ 0dB=0.775vrms
  - ◆ 仕様、外観は予告なく変更する場合があります。
  - ◆ この製品は、電気用品取締法に定める技術基準に適合しています。

## ■ PANEL LAYOUT (パネルレイアウト)

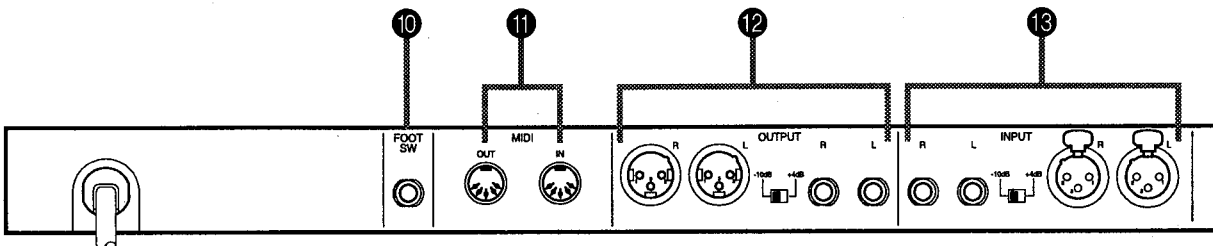
### ● Front Panel (フロントパネル)



- ① INPUT LEVEL control and meter
- ② PROGRAM keys
- ③ LCD
- ④ PARAMETER EDIT controls
- ⑤ EFF LEVEL key and LED
- ⑥ STORE key
- ⑦ AUDITION key
- ⑧ UTILITY key and LED
- ⑨ POWER switch

- ① INPUT LEVELつまみ  
インプットL/Rレベルメーター
- ② PROGRAMキー
- ③ LCD
- ④ PARAMETER EDIT (PRE DELAY/REV TIME/  
HI-RATIO/ER LEVEL)コントロール
- ⑤ EFF LEVELキー&インジケーター
- ⑥ STOREキー
- ⑦ AUDITIONキー
- ⑧ UTILITYキー&インジケーター
- ⑨ POWERスイッチ

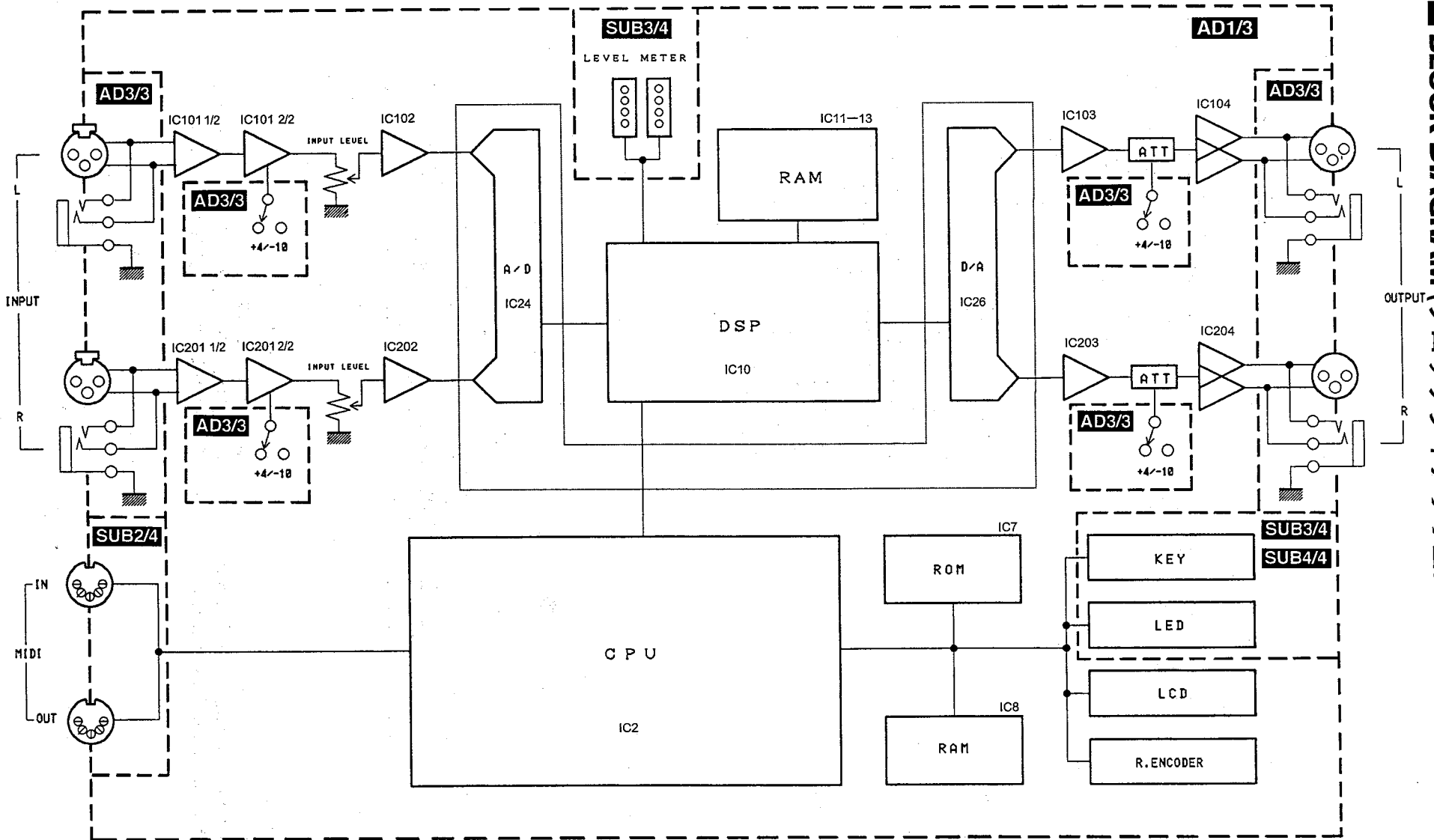
### ● Rear Panel (リアパネル)



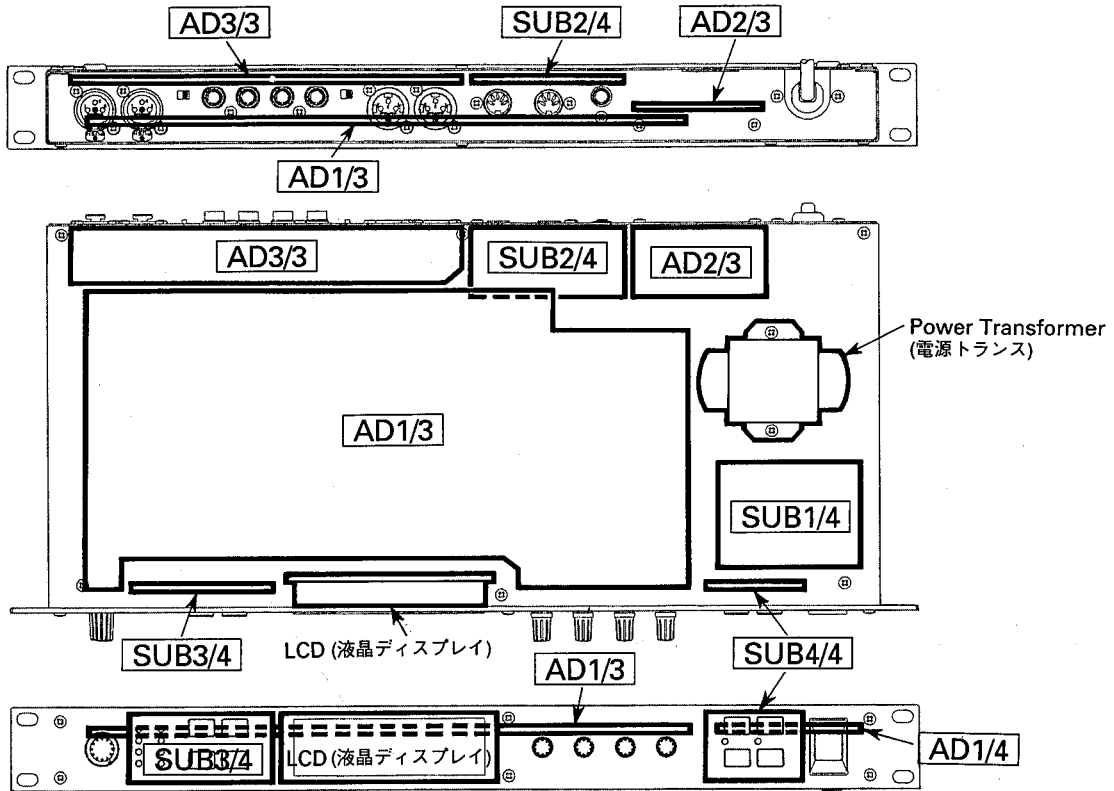
- ⑩ FOOT SW connector
- ⑪ MIDI terminals
- ⑫ OUTPUT connectors and output level switch
- ⑬ INPUT connectors and input level switch

- ⑩ FOOT SW端子
- ⑪ MIDI IN/OUT端子
- ⑫ OUTPUT端子&レベル切り替えスイッチ
- ⑬ INPUT端子&レベル切り替えスイッチ

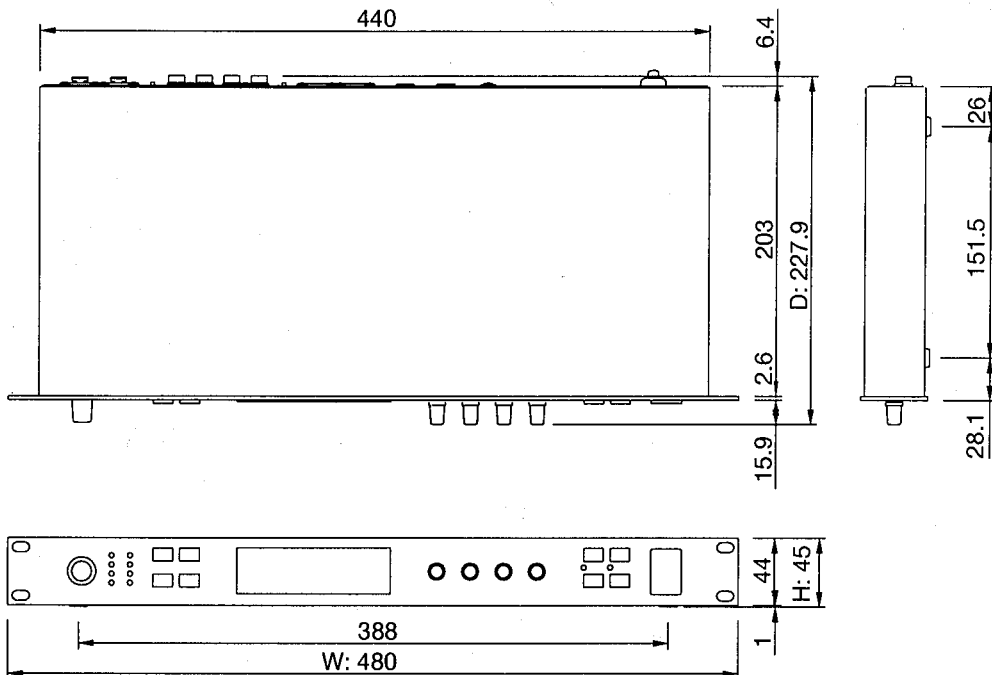
# BLOCK DIAGRAM (ブロックダイアグラム)



■ CIRCUIT BOARD LAYOUT (ユニットレイアウト)



■ DIMENSIONS (寸法図)



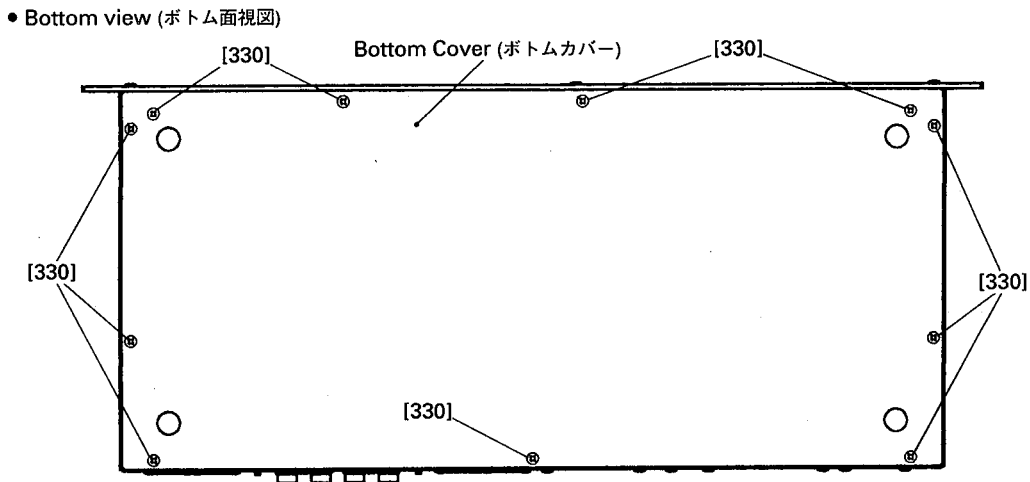
## ■ DISASSEMBLY PROCEDURE (分解手順)

### 1. Bottom Cover

- 1-1 Remove the eleven (11) screws marked [330], then the bottom cover can be removed. (Fig. 1)

### 1. ボトムカバー

- 1-1 [330]のネジ 11 本を外し、ボトムカバーを外します。(図 1)



[330]: Bind Head Tapping Screw-B 3.0X8 MFZN2BL (EP600190) + バインド B タイト

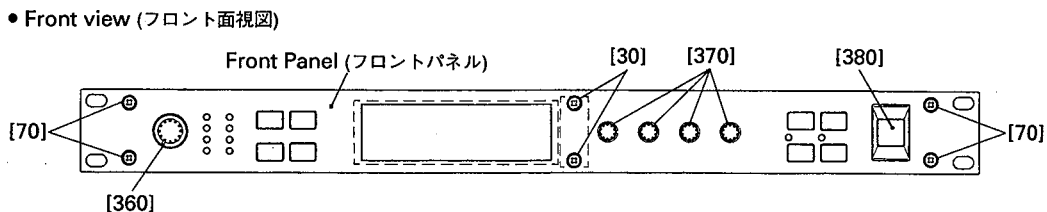
(Fig. 1)

### 2. Front Panel

- 2-1 Remove the four (4) knobs marked [370]. (Fig. 2)  
2-2 Remove the two (2) screws marked [30] and the four (4) screws marked [70], then the front panel can be removed. (Fig. 2)

### 2. フロントパネル

- 2-1 [370]のノブ 4 個を外します。(図 2)  
2-2 [30]のネジ 2 本と、[70]のネジ 4 本を外し、フロントパネルを外します。(図 2)



[30]: Bind Head Tapping Screw-B 3.0X8 MFZN2BL (EP600190) + バインド B タイト  
[70]: Bind Head Tapping Screw-B 3.0X8 MFZN2BL (EP600190) + バインド B タイト

(Fig. 2)



**3. AD 1/3 Circuit Board**

- 3-1 Remove the bottom cover. (See procedure 1)
- 3-2 Remove the front panel. (See procedure 2)
- 3-3 Remove the knob marked [360]. (Fig. 2)
- 3-4 Remove the five (5) nuts marked [A]. (Fig. 3)
- 3-5 Remove the four (4) screws marked [160], then the AD 1/3 circuit board can be removed. (Fig. 4)

**4. AD 2/3 Circuit Board**

- 4-1 Remove the bottom cover. (See procedure 1)
- 4-2 Remove the two (2) screws marked [230], then the AD 2/3 circuit board can be removed. (Fig. 4, 5)

**5. AD 3/3 Circuit Board**

- 5-1 Remove the bottom cover. (See procedure 1)
- 5-2 Remove the two (2) screws marked [210] and the eight (8) screws marked [200], then the AD 3/3 circuit board can be removed. (Fig. 4, 5)

**6. SUB 1/4 Circuit Board**

- 6-1 Remove the bottom cover. (See procedure 1)
- 6-2 Remove the front panel. (See procedure 2)
- 6-3 Remove the power switch knob marked [380]. (Fig. 2)
- 6-4 Remove the two (2) screws marked [110] and the screw marked [115], then SUB 1/4 circuit board can be removed. (Fig. 3, 4)

**7. SUB 2/4 Circuit Board**

- 7-1 Remove the bottom cover. (See procedure 1)
- 7-2 Remove the three (3) screws marked [220], then SUB 2/4 circuit board can be removed. (Fig. 4, 5)

**3. AD 1/3 シート**

- 3-1 ボトムカバーを外します。(1項参照)
- 3-2 フロントパネルを外します。(2項参照)
- 3-3 [360]のノブを外します。(図2)
- 3-4 [A]のナット5個を外します。(図3)
- 3-5 [160]のネジ4本を外し、AD 1/3 シートを外します。(図4)

**4. AD 2/3 シート**

- 4-1 ボトムカバーを外します。(1項参照)
- 4-2 [230]のネジ2本を外し、AD 2/3 シートを外します。(図4, 5)

**5. AD 3/3 シート**

- 5-1 ボトムカバーを外します。(1項参照)
- 5-2 [210]のネジ2本と、[200]のネジ8本を外し、AD 3/3 シートを外します。(図4, 5)

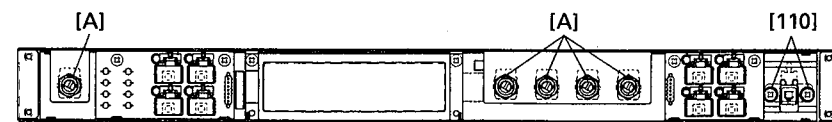
**6. SUB 1/4 シート**

- 6-1 ボトムカバーを外します。(1項参照)
- 6-2 フロントパネルを外します。(2項参照)
- 6-3 [380]の電源スイッチノブを外します。(図2)
- 6-4 [110]のネジ2本と[115]のネジを外し、SUB 1/4 シートを外します。(図3, 4)

**7. SUB 2/4 シート**

- 7-1 ボトムカバーを外します。(1項参照)
- 7-2 [220]のネジ3本を外し、SUB 2/4 シートを外します。(図4, 5)

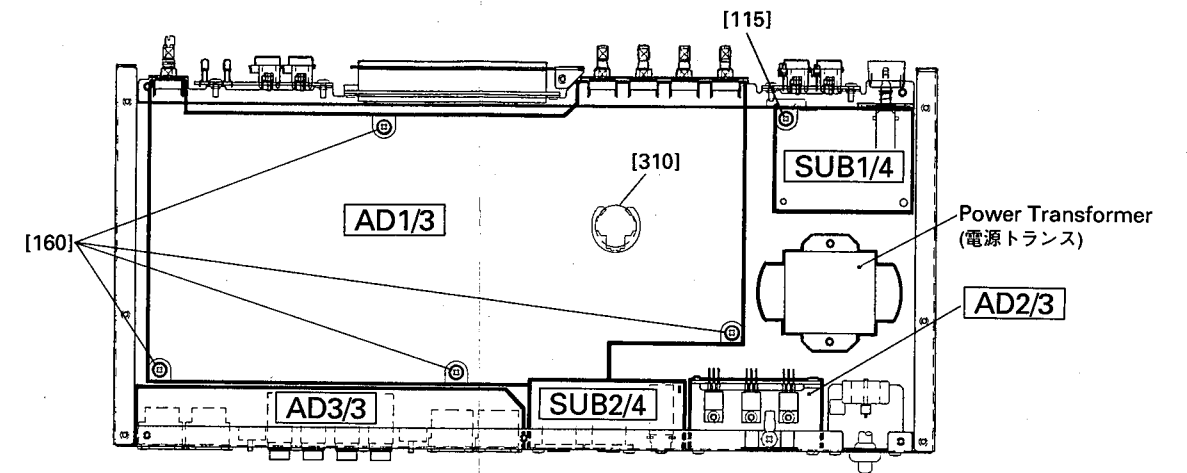
• Front view (フロント面視図)



[110] Bind Head Screw 3.0X6 MFZN2BL (EG330360) + バインド小ネジ

(Fig. 3)

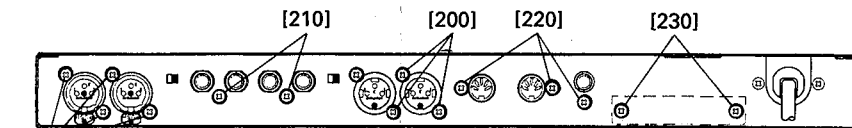
• Bottom view (ボトム面視図)



[115]: Bind Head Tapping Screw-B 3.0X8 MFZN2BL (EP600190) + バインド B タイト  
 [160]: Bind Head Tapping Screw-C A3.0X6 MFZN2BL (VP157200) + バインド C タイト  
 [310]: Lithium Battery CR2032 (VN103500) リチウム電池

(Fig. 4)

• Rear view (リア面視図)



[210]: Bind Head Tapping Screw-B 3.0X8 MFZN2BL (EP600190) + バインド B タイト  
 [200]: Bind Head Tapping Screw-B 3.0X8 MFZN2BL (EP600190) + バインド B タイト  
 [220]: Bind Head Tapping Screw-B 3.0X8 MFZN2BL (EP600190) + バインド B タイト  
 [230]: Bind Head Tapping Screw-B 3.0X8 MFZN2BL (EP600190) + バインド B タイト

(Fig. 5)

**8. SUB 3/4 Circuit Board**

- 8-1 Remove the bottom cover. (See procedure 1)
- 8-2 Remove the front panel. (See procedure 2)
- 8-3 Remove the two (2) screws marked [120], then the SUB 3/4 circuit board can be removed. (Fig. 6)

**8. SUB 3/4 シート**

- 8-1 ボトムカバーを外します。(1項参照)
- 8-2 フロントパネルを外します。(2項参照)
- 8-3 [120]のネジ2本を外し、SUB 3/4 シートを外します。(図6)

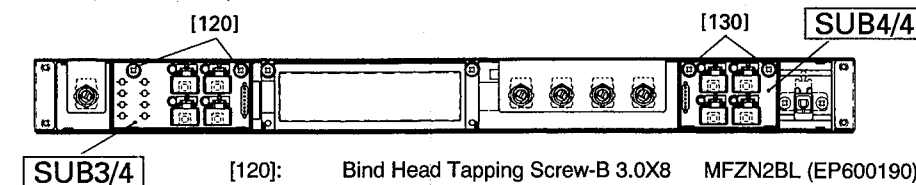
**9. SUB 4/4 Circuit Board**

- 9-1 Remove the bottom cover. (See procedure 1)
- 9-2 Remove the front panel. (See procedure 2)
- 9-3 Remove the two (2) screws marked [130], then the SUB 4/4 circuit board can be removed. (Fig. 6)

**9. SUB 4/4 シート**

- 9-1 ボトムカバーを外します。(1項参照)
- 9-2 フロントパネルを外します。(2項参照)
- 9-3 [130]のネジ2本を外し、SUB 4/4 シートを外します。(図6)

• Front view (フロント面視図)



[120]: Bind Head Tapping Screw-B 3.0X8 MFZN2BL (EP600190) + バインド B タイト  
 [130]: Bind Head Tapping Screw-B 3.0X8 MFZN2BL (EP600190) + バインド B タイト

(Fig. 6)

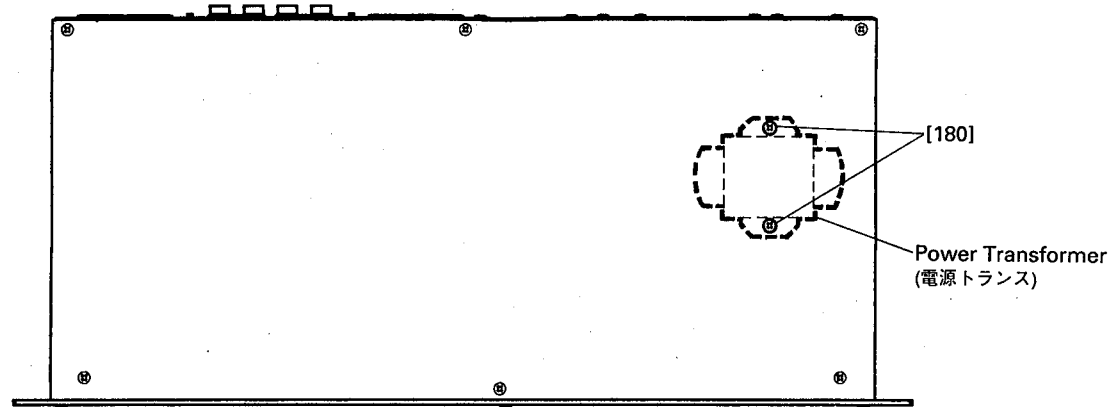
**10. Power Transformer**

- 10-1 Remove the bottom cover. (See procedure 1)
- 10-2 Remove the two (2) screws marked [180], then the power transformer can be removed. (Fig. 4, 7)

**10. 電源トランス**

- 10-1 ボトムカバーを外します。(1項参照)
- 10-2 [180]のネジ 2 本を外し、電源トランスを外します。(図 4, 7)

• Top view (トップ面視図)



[180]: Bind Head Tapping Screw-B 3.0X8 MFZN2BL (EP600190) + バインド B タイト

(Fig. 7)

**11. Lithium Battery Replacement**

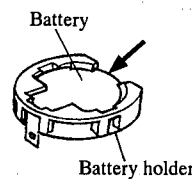
- 11-1 Remove the bottom cover. (See procedure 1)
- 11-2 The lithium battery marked [310] can be replaced. (Fig. 4)

**11. リチウム電池交換**

- 11-1 ボトムカバーを外します。(1項参照)
- 11-2 [310]のリチウム電池が外せます。(図 4)

Battery VN103500  
VN103600(Battery holder for VN103500)

- Notice for back-up battery removal  
Push the battery as shown in figure, then the battery will pop up.
- Druk de batterij naar beneden zoals aangeven in de tekening, de batterij springt dan naar voren.



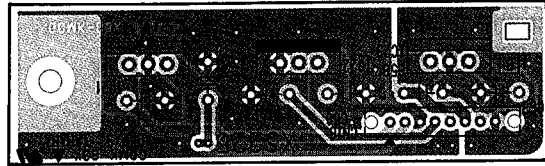
※The lithium battery is not a part of the AD1/3 circuit board.  
(リチウム電池は、AD1/3シートの構成部品ではありません)

**LSI PIN DESCRIPTION (LSI端子機能表)**

**• YSS228D-F (XQ962C00) DSP3 (Digital Signal Processor)**

PIN NO.	NAME	I/O	FUNCTION	PIN NO.	NAME	I/O	FUNCTION
1	VSS		Ground	81	VSS		Ground
2	XI	I	System master clock input(60M or 30MHz)	82	DB13	I/O	Parallel data bus
3	XO	O	System master clock output(60M or 30MHz)	83	DB14	I/O	
4	VDD		Power supply	84	DB15	I/O	
5	/SYNCI	I	System synch. signal input	85	DB16	I/O	
6	/SYNCO	O	System synch. signal output	86	DB17	I/O	
7	CKI	I	System clock input (30MHz)	87	DB18	I/O	
8	CKO	O	System clock output (30MHz)	88	DB19	I/O	
9	CKSEL	I	System master clock select(0:60MHz,1:30MHz)	89	DB20	I/O	
10	VSS		Ground	90	DB21	I/O	
11	MCKS	I	Master clock for serial I/O(128xFs)	91	DB22	I/O	
12	/SSYNC	I	Synch. signal for serial I/O	92	DB23	I/O	
13	/IC	I	Initial clear	93	DB24	I/O	
14	/TEST	I	Test mode setting	94	DB25	I/O	
15	BTYP	I	CPU data bus 8/16 bit select(0:8,1:16)	95	DB26	I/O	
16	/IRQ	O	Interrupt request	96	DB27	I/O	
17	TRIG	I/O	Trigger signal	97	DB28	I/O	
18	VDD		Power supply	98	DB29	I/O	
19	VSS		Ground	99	DB30	I/O	
20	/CS	I	Chip select	100	DB31	I/O	
21	/DS	I	Data strobe	101	TIMO/DBOE	I/O	Timing signal/Parallel data bus control
22	R/W	I	Read/Write select	102	VSS		Ground
23	CA7	I	CPU address bus	103	VDD		Power supply
24	CA6	I					
25	CA5	I					
26	CA4	I					
27	CA3	I					
28	CA2	I					
29	CA1	I	CPU address/data bus	104	DA00	I/O	External memory data bus
30	CA0/CD15	I/O					
31	CD14	I/O					
32	CD13	I/O					
33	CD12	I/O					
34	CD11	I/O					
35	CD10	I/O	CPU data bus	105	DA01	I/O	
36	CD09	I/O					
37	CD08	I/O					
38	CD07	I/O					
39	CD06	I/O					
40	VSS			Ground	106	DA02	
41	VDD		Power supply	107	DA03	I/O	
42	CD05	I/O	CPU data bus	108	DA04	I/O	
43	CD04	I/O					
44	CD03	I/O					
45	CD02	I/O					
46	CD01	I/O					
47	CD00	I/O					
48	/DTACK	O	DTACK signal output	109	DA05	I/O	
49	S10	I	Serial data input	110	DA06	I/O	
50	S11	I					
51	S12	I					
52	S13	I					
53	S14	I					
54	S15	I					
55	S16	I	Serial data output	111	DA07	I/O	
56	S17	I					
57	VSS			Ground	112	DA08	I/O
58	VDD			Power supply	113	DA09	I/O
59	SO0	O		Serial data output	114	DA10	I/O
60	SO1	O					
61	SO2	O					
62	SO3	O					
63	SO4	O					
64	SO5	O					
65	SO6	O	Serial data output	115	DA11	I/O	
66	SO7	O					
67	DB00	I/O		Parallel data bus	116	DA12	I/O
68	DB01	I/O					
69	DB02	I/O					
70	DB03	I/O					
71	DB04	I/O					
72	DB05	I/O					
73	DB06	I/O					
74	DB07	I/O					
75	DB08	I/O					
76	DB09	I/O					
77	DB10	I/O					
78	DB11	I/O					
79	DB12	I/O					
80	VDD		Power supply	117	DA13	I/O	
				118	DA14	I/O	
				119	DA15	I/O	
				120	VSS		Ground
				121	VDD		Power supply
				122	DA16	I/O	External memory data bus
				123	DA17	I/O	
				124	DA18	I/O	
				125	DA19	I/O	
				126	DA20	I/O	
				127	DA21	I/O	
				128	DA22	I/O	
				129	DA23	I/O	
				130	DA24	I/O	
				131	DA25	I/O	
				132	DA26	I/O	
				133	DA27	I/O	
				134	DA28	I/O	
				135	DA29	I/O	
				136	DA30	I/O	
				137	DA31	I/O	
				138	VDD		Power supply
				139	VSS		Ground
				140	A00	O	External memory address bus
				141	A01	O	
				142	A02	O	
				143	A03	O	
				144	A04	O	
				145	A05	O	
				146	A06	O	
				147	A07	O	
				148	A08	O	
				149	A09	O	
				150	A10	O	
				151	A11	O	
				152	A12	O	
				153	A13	O	
				154	A14	O	
				155	A15/RAS	O	External memory address bus/Row address strobe
				156	A16/CAS	O	External memory address bus/Column address strobe
				157	A17/CE	O	External memory address bus/Chip enable
				158	/WE	O	External memory write enable
				159	/OE	O	External memory output enable
				160	VDD		Power supply

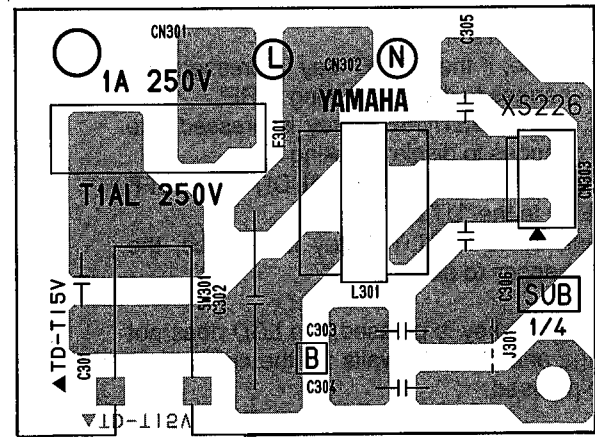
• AD 2/3 Circuit Board



Component side (部品側)

- Notes)**  
 Circuit Board: AD 2/3 (NX818390) XS225B0
- IC**  
 IC21: NJM7812FA (XJ608A00) REGULATOR +12V  
 IC22: NJM7912FA (XC721A00) REGULATOR -12V  
 IC23: AN7805F (XD338A00) REGULATOR +5V
  - Semiconductive Cera. Cap.**  
 C 49,50,58,61-63: 0.1000 25V Z (VC694800)
  - Cable Holder**  
 CN 18: 51048- 8P TE (V1878600) to CN17 of AD 1/3
  - Jumper Wire**  
 FVP=2.0C26SB8-100 ( -- ) (VV15360)

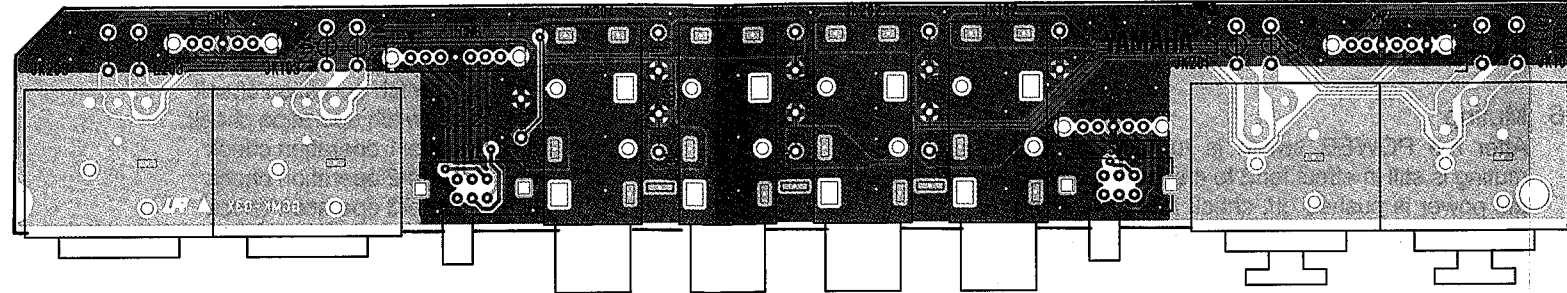
• SUB 1/4 Circuit Board



Component side (部品側)

- Notes)**  
 Circuit Board: SUB 1/4 (NX818410) XS226B0 J,U,C,V  
 Circuit Board: SUB 1/4 (NX818420) XS226B0 H,B,W
- Capacitor**  
 C 301: 4700P 400V U.C.S.V (FI383470)
  - Push Switch**  
 SW 301: ESB8278V-F J.U.C.S (VP331900) POWER
  - Coil**  
 L 301: PLAA3021R0R01B1 (GD900760)
  - Fuse**  
 F 301: T 1.00A JU (KB003530) J,U,C,V  
 F 301: TL 1.00A S (KB003040) H,B,W
  - Fuse Holder**  
 PC-PH1 (LB201530)
  - Terminal**  
 CN 301,302: (VA855400)
  - Base Post Connector**  
 CN 303: VH- 3P TE (LB932030)

• AD 3/3 Circuit Board

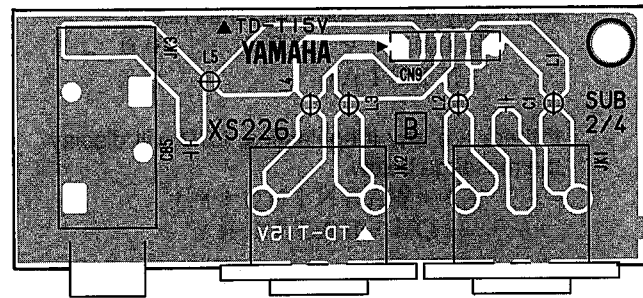


Component side (部品側)

- Notes)**  
 Circuit Board: AD 3/3 (NX818400) XS225B0
- Ceramic Capacitor-B**  
 C 128-131, 228-231: 470P 50V K (FG612470)
  - Coil**  
 L 101,102,201, 202: FL5R200QNT 20uH (VB835000)

- Ferrite Bead**  
 L 103,104,203, 204: BL02RN1-R62T4 (GE300610)
- Slide Switch**  
 SW 1,2: SSSF12341A (VP799800) -10dB/+4dB
- Phone Jack**  
 JK 102,104,202, 204: HLJ7001-01- (VS056300) INPUT,OUTPUT
- XLM Connector**  
 JK 101,201: NC3FAH1 (VT838100) INPUT L,R  
 JK 103,203: NC3MAH (VS133700) OUTPUT L,R
- Cable Holder**  
 CN 2: 51048- 6P TE (V1878400) to CN1 of AD /3  
 CN 4,8: 51048- 5P TE (V1878300) CN4: to CN3 of AD 1/3  
 CN8: to CN7 of AD 1/3  
 CN 6: 51048- 7P TE (V1878500) to CN5 AD 1/3
- Jumper Wire**  
 FVP=2.0C26SB5-100 ( -- ) (VU07290)  
 FVP=2.0C26SB6-100 ( -- ) (VV15340)  
 FVP=2.0C26SB7-100 ( -- ) (VV15350)

• SUB 2/4 Circuit Board

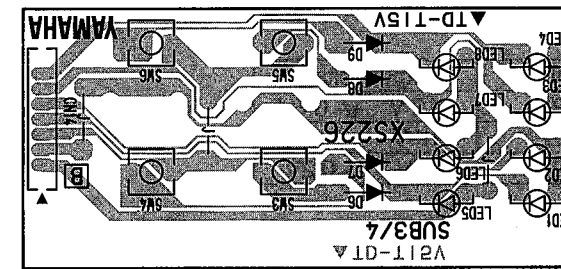


Jack Angle DIN Socket Holder

Component side (部品側)

- Notes)**  
 Circuit Board: SUB 2/4 (NX818430) XS226B0
- Semiconductive Cera. Cap.**  
 C 1,85: 0.1000 25V Z (VC694800)
  - Coil**  
 L 1-5: FL5R200QNT (VB835000)
  - Phone Jack**  
 JK 3: HLJ7101-01- (VS056400) FOOT SW
  - DIN Connector**  
 JK 1,2: 5P TCS4650-01-4151 (LB500590) MIDI IN,MIDI OUT
  - Cable Holder**  
 CN 9: 51048- 5P TE (V1878300) to CN10 of AD 1/3
  - DIN Socket Holder**  
 (VF892000)
  - Jumper Wire**  
 FVP=2.0C26SB5-100 ( -- ) (VU07290)

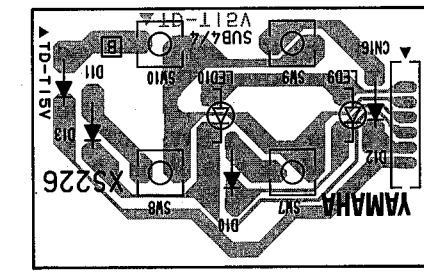
• SUB 3/4 Circuit Board



Component side (部品側)

- Notes)**  
 Circuit Board: SUB 3/4 (NX818440) XS226B0
- Diode**  
 D 6-9: 1SS133,1SS176 (VB941200)
  - LED**  
 LED 2-4,6-8: SLZ-235B-08-T1 GR (VU091400) -4,-6,-24(L,R)  
 LED 1,5: SLZ-135B-08-T1 RE (VT838500) CLIP(L,R)
  - Touch Switch**  
 SW 3-6: EVQ 22C 05B (VT513600) PROGRAM(TYPE,PRESET/USER, NUMBER -,+)
  - Cable Holder**  
 CN 14: 51048- 7P TE (V1878500) to CN13 of AD 1/3
  - Jumper Wire**  
 FVP=2.0C26SB7-100 ( -- ) (VV15350) (VM600000)

• SUB 4/4 Circuit Board



Component side (部品側)

- Notes)**  
 Circuit Board: SUB 4/4 (NX818450) XS226B0
- Diode**  
 D 10-13: 1SS133,1SS176 (VB941200)
  - LED**  
 LED 9,10: SLZ-135B-08-T1 RE (VT838500) EFF LEVEL,UTILITY
  - Touch Switch**  
 SW 7-10: EVQ 22C 05B (VT513600) STORE,AUDITION,EFF LEVEL, UTILITY
  - Cable Holder**  
 CN 16: 51048- 6P TE (V1878400) to CN15 of AD 1/3
  - Jumper Wire**  
 FVP=2.0C26SB6-100 ( -- ) (VV15340)

## INSPECTIONS

### A. SET-UP

Test equipment requirements

When the distortion is measured, use the required test equipment (1) or (2) below.

(1) Filter amplifier for CD (AMP-Z06...SW:A)

(2) LPF 22 - 30 kHz and IHF-A filter

When the noise level is measured, use IHF-A filter.

Low-frequency oscillator: output impedance is 600 ohms or below.

Use measuring equipment with an input impedance of 1 M ohm or more.

Set the knobs on the front panel and the terminals on the rear panel as follows:

INPUT LEVEL(VR1): MAX.  
 INPUT LEVEL (SW1): + 4 dB  
 OUTPUT LEVEL (SW2): + 4 dB  
 OUTPUT XLR (L,R): 600 ohm (2-3pin)  
 MIDI IN,OUT: connect in-out with MIDI cable

### B. Start of test program

Refer to the section about the start of the test program. (Sequence #00)

#### 1. Gain

When a signal of 1 kHz(-10 dBm) is received on the L&R INPUTs, the L&R OUTPUTs will be 0 dBm (+/- 1.5 dB). Verify the result is the same when both of the LEVEL SWs (INPUT, OUTPUT) are on the -10 dB side. Return both of LEVEL SWs (INPUT,OUTPUT) to the +4 dB side.

#### 2. Frequency characteristics

When a 1 kHz signal (-10 dBm) is received on the L&R INPUTs, check that the frequency characteristics at the L&R OUTPUTs are within the following range:

INPUT L/R	Frequency	OUTPUT L/R
-10 dB, +4 dB	20 Hz~ 20 kHz	+1.0, -2.0 dB
+4 dB	24 kHz	Less than -10 dB

#### 3. Distortion factor

When a signal of 1 KHz at +7.5 dBm is received on the L&R INPUTs, verify the L&R OUTPUTs save a distortion factor of 0.03 % or less.

#### 4. Maximum output

When a signal of 1 kHz is applied to the L&R INPUTs and increased gradually, check that there is a signal of +18 dBm on the L&R OUTPUTs with a distortion factor of 3.0% or less. When the signal is applied to L INPUT, check that the signal on the R OUTPUT is -60 dBm or less. Check that the result is the same on the L OUTPUT.

#### 5. Noise level

If the L&R INPUTS are loaded down with 150 ohms, check that the L&R OUTPUT have a noise level of -72 dBm or less.

#### 6. Muting

After the POWER switch is turned ON, the muting is still in effect for 2 to 4 seconds. When the power is pushed off, check that the muting is quick and effective and there is no sound.

#### 7. Check of LEDs illumination

When a signal of 1 kHz is received, check that the illumination of LEDs for the input levels as listed below.

Input level	LEDs illumination
+10 dB	CLIP~ -24
+5.5 dB	-6 ~ -24
-0.5 dB	-12 ~ -24
-6.5 dB	-24 only
-20 dB	all off

#### 8. Source voltage

Check that IC21, IC22 and IC23 have outputs in the following range:

IC No.	Output voltage
IC21	+12 V +/- 0.5V
IC22	-12 V +/- 0.5V
IC23	+5V +/- 0.2V

#### 9. RAM initialization

- While holding down the "STORE" key, push on the power switch. When the "STORE" key is pressed once more, the RAM initialization is performed.
- The same operation is performed using the sequence #12 of the test program.

## TEST PROGRAM

### A. Contents

- #00: Audio response check
- #01: LCD check
- #02: LED check
- #03: Key switch operation check
- #04: Foot switch operation check
- #05: Encoder1 operation check
- #06: Encoder2 operation check
- #07: Encoder3 operation check
- #08: Encoder4 operation check
- #09: MIDI check
- #10: DSP3 operation check
- #11: PS-RAM check
- #12: Initialization of the RAM
- #13: Termination of the test program
- #99: Forced termination of the test program

### B. Start

Pressing and holding the "TYPE" key and "PRESET/ USER" key, push the power switch ON.

When the test program starts or the power switch is pushed ON in normal operation, the backup memory check is performed automatically. If there are no irregularities, LCD will display the version number as below.

```
DIAG V1.00 00
INITIAL OK
```

If there are any irregularities, LCD will display the message below.

```
***WARNING***
LOW BATTERY
```

### C. Selection of sequence

- When using the front panel keys, select a sequence number using the "+" or "-" key, then press the "PRESET/USER" key.
- When using the MIDI IN terminal, send "C0,xxh" (xxh: sequence number) to MIDI IN terminal trough MIDI cable.

### D. Response of the results of the sequence checks judged by the CPU

- "OK" or "NG" is displayed on LCD.
- 2 Bytes of ASCII codes are sent from the "MIDI OUT".  
 OK ---- 4F,4B  
 NG ---- 4E,47

### E. Termination of the program

- When using the front panel keys, select the sequence #99 using the "+" or "-" key and press the "PRESET/USER" key.
- When using the MIDI IN terminal, send "C0,63h" to MIDI IN terminal trough MIDI cable.

When all test sequences from #00 to #12 have been completed, select the next sequence #13 and press the "PRESET/USER" key to return to normal operation.

If any test sequence was not completed, LCD shows the information below and REV500 does not return to normal operation and transmit "NG" from MIDI OUT.

"CHECK NOT END"

### F. Sequence check

- LCD check (#01)**  
 The LCD illuminates and blinks all segments three times. Then the LCD displays "END".

- LED check (#02)**

LEDs illuminate in the following order: LED level meter (L:-24~L:CLIP, R:-24~R:CLIP), EFF LEVEL, UTILITY, and then all LEDs illuminate. When the check illumination is performed, the LCD displays " \* \* ". Once the check illumination has finished, the LCD displays "END".

- Key switch operation check (#03)**

The LCD blinks "TYP". At that time, if the "TYPE" key is pressed, the LCD changes to display blinking "PRE". Next, if "PRESET/USER" key is pressed, the LCD changes to display blinking "-". And so on. ("+", "STORE", "AUDITION", "EFF LEVEL", to the "UTILITY" key) At last, if the "UTILITY" key is pressed, the LCD changes to display "OK"

If the wrong key is pressed, the LCD does not change and REV500 waits for the correct key to be pressed.

If "quit" is required during the check, press the "UTILITY" key.

- Foot switch operation check (#04)**

When the LCD blinks "FOOT SW", connect the foot switch to the "FOOT SW" terminal of the rear panel and press the foot switch, or insert a empty jack, and the LCD changes to display "OK".

- Encoder operation check (#05~#08)**

The LCD displays "ENCODER 1 R00". While turning the "PRE DELAY" knob in a clockwise direction, the LCD displays "L00" after "R23". Then, turn the knob in the other direction(counterclockwise). While going on, the LCD displays "OK" after "L23".

Check each encoder of "REV TIME", "HI-RATIO" and "ER LEVEL", according to the direction which LCD shows.

(DIRECTION)

Rxx ----- clockwise

Lxx ----- counterclockwise

## 6. MIDI check (#09)

### 1) Purpose

Automatic check of the operation of MIDI IN and OUT

### 2) Start up

Start up from the front panel only

### 3) Operation

Before entering this sequence, connect the MIDI IN and OUT, using a MIDICable. When the operation is normal, the LCD displays "OK". If a signal transmitted from the MIDI OUT does not return to the CPU, or a wrong signal returns, the LCD displays "NG".

## 7. DSP3 operation check (#10)

### 1) Purpose

Check of the operation by applying an oscillating sine wave in the DSP

### 2) Operation

Check that the L and R OUTPUT ports output a sine wave of approx. 1 kHz (+12.5 dBm +/-1.5 dBm) with a distortion factor 0.01%. When the sine wave is oscillated, the LCD displays "\* \*". If the check is finished, press the "+" or "-". Then the sine wave is cut off and the LCD displays "END".

## 8. PS-RAM check (#11)

The operation of the PS-RAM for DSP3 is checked automatically by the CPU. When the operation is normal the LCD displays "OK".

## 9. Initialization of the RAM (#12)

The LED displays "INITIALIZE ?"

It is possible to perform the initialization of the RAM in the selected way (1) or (2) below.

### 1) Press the "STORE" key on the front panel.

### 2) Send "C0,7Fh" to MIDI IN terminal trough MIDI cable.

While performing the initialization of the RAM, the LCD displays "SET INITIALIZE".

After performing the initialization of the RAM, the LCD displays "INITIALIZE OK".

## ■ ERROR MESSAGES

In case of irregularities in the normal operation, the LCD indicates error as follows:

### LCD Contents of errors and how to solve

- E0: The emergency error concerning the total operation of the CPU is occurred. Check the DATA BUS, ADDRESS BUS, GATE ARRAY, etc.
- E1: The Failure of access of the internal RAM of the CPU is occurred. Replace the CPU.
- E2: The failure of access of the external RAM is occurred. Check the concerned circuit or replace the SRAM etc.
- E3: The failure of the operation of the DSP3 is occurred. Check the concerned circuit or replace the DSP3 etc.
- E4: The failure of the operation (IRQ) of interrupt from the DSP3 to the CPU is occurred. Check the concerned circuit.
- E5 Irregularities of the backup data. Check the concerned circuit or replace the battery.

When the LCD displays the error number from E0 to E4, the Set function can not be operated. When the LCD displays the error number E5, the Set function can be operated but once the power switch is OFF, the contents of the SRAM disappear.

## ■ 検査仕様

### A. 準備

#### 測定器

歪率測定時には、下記の (1), (2) のいずれかで測定してください。

- (1) CD用フィルターアンプ (AMP-Z06...SW:A)
- (2) LPF (22-30kHz) と IHF-A フィルターを使用  
ノイズレベル測定時には、IHF-A フィルターを使用してください。  
低周波発振器の出力インピーダンスは 600 Ω 以下としてください。  
入力インピーダンスが 1 MΩ 以上の測定器を使用してください。

フロントパネルのノブ及びリアパネルの端子は下記のように設定してください。

INPUT LEVEL (VR1): MAX.  
 INPUT LEVEL (SW1): + 4 dB  
 OUTPUT LEVEL (SW2): + 4 dB  
 OUTPUT XLR (L, R): 600 ohm (2-3pin)  
 MIDI IN, OUT: MIDI IN-OUT を MIDI ケーブルで接続する

### B. テストプログラムの起動

テストプログラムの起動の項を参照ください。  
(シーケンスナンバー #00)

#### 1. 利得

INPUT L, R より 10 dBm/1kHz の正弦波を印加した時、OUTPUT L, R の出力レベルは、0 dBm +/- 1.5 dB 以内のこと、又、INPUT 及び OUTPUT の LEVEL SW を両方とも -10 dB 側にした場合も、OUTPUT L, R の出力レベルは 0 dBm +/- 1.5 dB 以内のことを確認してください。  
検査後、LEVEL SW は両方とも +4dB 側に戻しておいてください。

#### 2. 周波数特性

INPUT L, R より -10 dBm の正弦波を入力した時、OUTPUT L, R の周波数特性は 1 kHz を基準として下記の範囲内であることを確認してください。

INPUT L/R	周波数	OUTPUT L/R
-10 dB, +4 dB	20 Hz ~ 20 kHz	+1.0, -2.0 dB
+4 dB	24 kHz	Less than -10 dB

#### 3. 歪率

INPUT L, R より +7.5 dBm/1kHz の正弦波を印加した時、OUTPUT L, R の出力信号の歪率は、0.03% 以下のことを確認してください。

#### 4. 最大出力

INPUT L, R に 1 kHz の正弦波を入力し、少しずつ大きくしていった時、OUTPUT L, R には、+18dBm の出力レベルが歪率 3%以内であることを確認してください。また、この状態で INPUT L のみに正弦波を印加した時、OUTPUT R の出力レベルは、-60 dBm 以下になることを確認してください。OUTPUT L についても、同様な結果が得られることを確認してください。

#### 5. ノイズレベル

INPUT L, R の 2-3 ピン間を 150 Ω でショートした時の OUTPUT L, R のノイズレベルは -72 dBm 以下であることを確認してください。

#### 6. ミューティング

パワーオフからオンした時、2~4 秒後にミュート解除することを確認してください。また、パワーオンからオフした時には、素早くミュートし、大きなクリックノイズ等がないことを確認してください。

#### 7. LEDメーター表示チェック

1 kHz の正弦波を印加した時、入力レベルに応じて下記の LED メーターが点灯することを確認してください。

入力レベル	点灯 LED
+10 dB	CLIP ~ -24
+5.5 dB	-6 ~ -24
-0.5 dB	-12 ~ -24
-6.5 dB	-24 のみ
-20 dB	すべて点灯せず

#### 8. 電源電圧チェック

IC21, IC22, IC23 の各出力電圧は、それぞれ下記の範囲内に入っていることを確認してください。

IC 番号	出力電圧
IC21	+12 V +/- 0.5V
IC22	-12 V +/- 0.5V
IC23	+ 5V +/- 0.2V

#### 9. RAMイニシャライズ

- 1) "STORE" キーを押しながらパワースイッチをオンし、再度 "STORE" キーを押すと RAMイニシャライズがおこなわれます。
- 2) テストプログラムのシーケンスナンバー (#12) の方法でもできます。

## ■ テストプログラム

### A. 内容

- #00: オーディオ特性測定用
- #01: LCD動作チェック
- #02: LED動作チェック
- #03: キーSW動作チェック
- #04: FOOT SW動作チェック
- #05: ENCODER 1動作チェック
- #06: ENCODER 2動作チェック
- #07: ENCODER 3動作チェック
- #08: ENCODER 4動作チェック
- #09: MIDI動作チェック
- #10: DSP動作チェック
- #11: PS-RAM動作チェック
- #12: ユーザーRAMの初期設定
- #13: テストプログラムから通常動作への復帰
- #99: テストプログラムからの強制終了

### B. テストプログラムの起動

“TYPE”キーと“PRESET/USER”キーを押しながらパワースイッチをONする。

テストプログラム起動時、及び通常動作のパワースイッチON時にバックアップメモリーのチェックを自動的に行い、以上が無い場合は下記の表示となります。

```
DIAG V1.00    00
INITIAL      OK
```

異常があった場合は下記の表示となります。

```
***WARNING***
LOW BATTERY
```

### C. テストプログラムの各シーケンスの起動方法

- 1) 前面キーより起動する場合  
“-”及び“+”キーでシーケンスナンバーを選び、“PRESET/USER”キーを押す。
- 2) MIDI IN端子より起動する場合  
“CO, xxh”を入力します。  
(xxh・・・シーケンスナンバー)

### D. 結果の応答 (CPUが判定する項目)

- 1) LCDに“OK”又は“NG”の表示を行います。
- 2) MIDI OUT端子に下記の2バイトのASCIIコードを出力します。

```
OK ---- 4F, 4B
NG ---- 4E, 47
```

### E. 通常動作への復帰

- 1) 前面キーより  
“-”及び“+”キーでシーケンスナンバー(#99)を選び、“PRESET/USER”キーを押す。

### 2) MIDI IN端子より

“CO, 63h”の信号を受け取った時、通常動作へ復帰します。

シーケンスナンバー (#00) ~ (#12) が全て終了している場合は、次のシーケンス (#13) を起動すると通常動作に復帰します。

シーケンスナンバー (#00) ~ (#12) が全て終了していない場合は、LCDは下記の表示となり、通常動作には復帰できません。MIDI OUTには“NG”を出力します。

```
“CHECK NOT END”
```

### F. シーケンスによるチェック

#### 1. LCD動作チェック (#01)

すべてのセグメントが点灯し、3回点滅します。終わったら、“END”と表示します。

#### 2. LED動作チェック (#02)

LEDメータがL:-24~L:CLIP,R:-24~L:CLIP,EFF LEVEL,UTILITYの順番で点灯します。その後、全LEDが点灯します。チェック動作中は、LCDに“\*\*”を、終わったら“END”を表示します。

#### 3. キー動作チェック (#3)

LCDに“TYP”の表示が点滅します  
“TYPE”キーを押すとLCDの表示が“PRE”に変わり点滅します。  
“PRESET/USER”キーを押すとLCDの表示が“-”に変わり点滅します。  
(以下同様に、“+”、“STORE”、“AUDITION”、“EFF LEVEL”、“UTILITY”まで)  
“UTILITY”キーを押すとLCDの表示が“OK”となります。

押す順番を間違えた場合は、正しいキーが押されるまで待機します。

途中で終了したい場合は、UTILITYを押します。

#### 4. FOOT SW動作チェック (#04)

LCDに“FOOT SW”の表示が点滅するので、リアパネルのFOOT SW端子にフットスイッチを接続して踏み込む、又は空のジャックを挿入すると“OK”の表示に変わります。

### 5. ロータリーエンコーダー 1～4 の動作チェック (#05～#08)

LCDに“ENCODER1 R00”が表示されます。PRE DELAYエンコーダーを右に回してR23の次にL00の表示になったら、左に回します。L23の次に“OK”の表示になります。

以下同様に、REV TIME、HI-RATIO、ER LEVELのエンコーダーをLCDに表示される方向に回します。

### 6. MIDI動作チェック (#09)

#### 1) 目的

MIDI IN、OUTの信号系を自動でチェックします。

#### 2) 起動方法

前面パネルからのみ起動します。

#### 3) 動作

MIDI IN、OUT端子をMIDIケーブルで接続しておいて実行します。正常動作時は、LCDに“OK”と表示されます。

MIDI OUT端子に出した信号が、MIDI IN端子を経由してCPUに戻って来ない場合、又は信号が戻って来るが正常ではない場合は、LCDに“NG”と表示します。

### 7. DSP3動作チェック (#10)

#### 1) 目的

DSP3より正弦波を発振させて動作を確認します。

#### 2) 動作

約1 kHz、 $+12.5 \pm 1.5$  dBmの正弦波が、歪率0.01%以下でOUTPUT L、Rより出力されることを確認してください。正弦波出力時の表示は、“\*\*”です。終了したら“+”又は“-”キーを押して下さい。正弦波の出力を終了し、“END”の表示となります。

### 8. PS-RAMチェック (#11)

DSP3用PS-RAMをCPUが自動チェックします。

### 9. ユーザーRAMの初期設定 (#12)

LCDに“INITIALIZE ?”の表示が出ます。この時点で以下のいずれかの方法によりイニシャライズを実行します。

#### 1) 前面キーより“STORE”キーを押します。

#### 2) MIDI IN端子より、“C0、7Fh”を入力します。

実行中LCDは、“SET INITIALIZE”の表示となります。

実行後LCDは、“INITIALIZE OK”の表示となります。

## ■ エラーメッセージ

通常動作においてシステムエラーが発生した場合は、LCDに下記の表示が出ます。

LCD

エラー内容と対応

E0: CPUの動作全体に関わる致命的なエラーです。データバス、アドレスバス、ゲートアレイ等のチェックをしてください。

E1: CPUそのものの不良です。交換が必要です。

E2: 外部RAMNOアクセス不良です。関連回路のチェック、SRAMの交換等を行ってください。

E3: DSP3の動作不良です。関連回路のチェック、DSP3の交換等を行ってください。

E4: DSP3からCPUに対する割り込み(I R Q)の動作不良です。関連回路のチェックをしてください。

E5: バックアップデータの異常です。関連回路のチェック、又はバッテリーの交換を行ってください。

E0～E4 表示時は、セットが動作しません。

E5 表示時は、セットは動作しますが、パワースイッチOFF時にSRAMの内容は保持されません。



# ■ MIDI DATA FORMAT (MIDIデータフォーマット)

## 1. Transmitted data (送信データ)

### 1-1. System information (システムインフォメーション)

#### #1 Program bulk data (プログラム・バルクデータ)

```

status      1111 0000(F0H) System exclusive
ID No.      0100 0011(43H) YAMAHA
sub status   0000 nnnn(0nH) n = 0 - 15
format no.   0111 1110(7EH)
byte count   0000 0000(00H)
byte count   0100 1000(48H)
              0100 1100(4CH) "L"
              0100 1101(4DH) "M"
              0010 0000(20H) Space
              0010 0000(20H) Space
              0011 1000(38H) "8"
              0100 0001(41H) "A"
              0011 1001(39H) "9"
              0011 1001(39H) "9"
data name    0100 1101(4DH) "M"
program no.  0mmm mmmm m = 1 - 100
data         0000 dddd Memory bulk
              (62 bytes)
              :
              :
              0000 dddd
check sum    0eee eeee
EOX          1111 0111(F7H) End of exclusive

```

#### #2 Program Change Table bulk data (プログラムチェンジ表・バルクデータ)

```

status      1111 0000(F0H) System exclusive
ID No.      0100 0011(43H) YAMAHA
sub status   0000 nnnn(0nH) n = 0 - 15
format no.   0111 1110(7EH)
byte count   0000 0010(02H)
byte count   0000 1010(0AH)
              0100 1100(4CH) "L"
              0100 1101(4DH) "M"
              0010 0000(20H) Space
              0010 0000(20H) Space
              0011 1000(38H) "8"
              0100 0001(41H) "A"
              0011 1001(39H) "9"
              0011 1001(39H) "9"
data name    0101 0100(54H) "T"
bank no.     0000 0001(01H)
data         0000 dddd Program change data (256 bytes)
              :
              :
              0000 dddd
check sum    0eee eeee
EOX          1111 0111(F7H) End of exclusive

```

#### #3 System Setup bulk data (システムセットアップ・バルクデータ)

```

status      1111 0000(F0H) System exclusive
ID No.      0100 0011(43H) YAMAHA
sub status   0000 nnnn(0nH) n = 0 - 15
format no.   0111 1110(7EH)
byte count   0000 0000(00H)
byte count   0100 1100(4CH)
              0100 1100(4CH) "L"
              0100 1101(4DH) "M"
              0010 0000(20H) Space
              0010 0000(20H) Space
              0011 1000(38H) "8"
              0100 0001(41H) "A"
              0011 1001(39H) "9"
              0011 1001(39H) "9"
data name    0101 0011(53H) "S"
              0010 0000(20H) Space
data         0000 dddd System setup memory (66 bytes)
              :
              :
              0000 dddd
check sum    0eee eeee
EOX          1111 0111(F7H) End of exclusive

```

#### #4 Parameter Change data (パラメーターチェンジデータ)

```

status      1111 0000(F0H) System exclusive
ID No.      0100 0011(43H) YAMAHA
sub status   0000 nnnn(0nH) n = 0 - 15
format no.   0001 1110(1EH)
device code  0000 0110(06H) REV500
parameter no. 0000 pppp *1)
              0000 pppp
data         0000 dddd parameter data (4 bytes)
              0000 dddd
              0000 dddd
              0000 dddd
EOX          1111 0111(F7H) End of exclusive

```

**#5 Current buffer bulk data (カレントバッファ・バルクデータ)**

status 1111 0000(F0H) System exclusive  
 ID No. 0100 0011(43H) YAMAHA  
 sub status 0000 nnnn(0nH) n = 0 - 15  
 format no. 0111 1110(7EH)  
 byte count 0000 0000(00H)  
 byte count 0100 1000(48H)  
 0100 1100(4CH) "L"  
 0100 1101(4DH) "M"  
 0010 0000(20H) Space  
 0010 0000(20H) Space  
 0011 1000(38H) "8"  
 0100 0001(41H) "A"  
 0011 1001(39H) "9"  
 0011 1001(39H) "9"  
 data name 0100 1101(4DH) "M"  
 program no. 0000 0000(00H)  
 data 0000 dddd Memory bulk  
 (62 bytes)  
 :  
 :  
 0000 dddd  
 check sum 0ccc cccc  
 EOX 1111 0111(F7H) End of exclusive

**2. Receive data (受信データ)**

**2-1. Channel information (チャンネルインフォメーション)**

**#1 Program Change (プログラムチェンジ)**

status 1100 nnnn(CnH) n = 0 - 15  
 program no. 0ppp pppp p = 0 - 127

**#2 Control Change (コントロールチェンジ)**

status 1011 nnnn(BnH) n = 0 - 15  
 controller no. 0ccc cccc \*2  
 control value 0vvv vvvv v = 0 - 127

**2-2. System information (システムインフォメーション)**

**#1 Program bulk dump request (プログラム・バルクダンプ・リクエスト)**

status 1111 0000(F0H) System exclusive  
 ID No. 0100 0011(43H) YAMAHA  
 sub status 0010 nnnn(2nH) n = 0 - 15  
 format no. 0111 1110(7EH)  
 0100 1100(4CH) "L"  
 0100 1101(4DH) "M"  
 0010 0000(20H) Space  
 0010 0000(20H) Space  
 0011 1000(38H) "8"  
 0100 0001(41H) "A"  
 0011 1001(39H) "9"  
 0011 1001(39H) "9"  
 data name 0100 1101(4DH) "M"  
 program no. 0mmm mmmm m = 1 - 100  
 EOX 1111 0111(F7H) End of exclusive

**#2 Program Change Table bulk dump request (プログラムチェンジ表バルクダンプ・リクエスト)**

status 1111 0000(F0H) System exclusive  
 ID No. 0100 0011(43H) YAMAHA  
 sub status 0010 nnnn(2nH) n = 0 - 15  
 format no. 0111 1110(7EH)  
 0100 1100(4CH) "L"  
 0100 1101(4DH) "M"  
 0010 0000(20H) Space  
 0010 0000(20H) Space  
 0011 1000(38H) "8"  
 0100 0001(41H) "A"  
 0011 1001(39H) "9"  
 0011 1001(39H) "9"  
 data name 0101 0100(54H) "T"  
 bank no. 0000 0001(01H)  
 EOX 1111 0111(F7H) End of exclusive

**#3 System Setup bulk dump request (システムセットアップ・バルクダンプ・リクエスト)**

status 1111 0000(F0H) System exclusive  
 ID No. 0100 0011(43H) YAMAHA  
 sub status 0010 nnnn(2nH) n = 0 - 15  
 format no. 0111 1110(7EH)  
 0100 1100(4CH) "L"  
 0100 1101(4DH) "M"  
 0010 0000(20H) Space  
 0010 0000(20H) Space  
 0011 1000(38H) "8"  
 0100 0001(41H) "A"  
 0011 1001(39H) "9"  
 0011 1001(39H) "9"  
 data name 0101 0011(53H) "S"  
 0010 0000(20H) Space  
 EOX 1111 0111(F7H) End of exclusive

**#4 Parameter Value Request (パラメーター値リクエスト)**

status 1111 0000(F0H) System exclusive  
 ID No. 0100 0011(43H) YAMAHA  
 sub status 0010 nnnn(2nH) n = 0 - 15  
 format no. 0001 1110(1EH)  
 device code 0000 0110(06H) REV500  
 parameter no. 0000 pppp \*1  
 0000 pppp  
 EOX 1111 0111(F7H) End of exclusive

**#5 Current buffer bulk dump request**

(カレントバッファ・バルクダンプ・リクエスト)

status 1111 0000(F0H) System exclusive  
 ID No. 0100 0011(43H) YAMAHA  
 sub status 0010 nnnn(2nH) n = 0 - 15  
 format no. 0111 1110(7EH)  
           0100 1100(4CH) "L"  
           0100 1101(4DH) "M"  
           0010 0000(20H) Space  
           0010 0000(20H) Space  
           0011 1000(38H) "8"  
           0100 0001(41H) "A"  
           0011 1001(39H) "9"  
           0011 1001(39H) "9"  
 data name 0100 1101(4DH) "M"  
 program no. 0000 0000(00H)  
 EOX 1111 0111(F7H) End of exclusive

**#6 Program bulk dump**

The transmitted data is identical to "Program bulk data."

**#7 Program Change Table bulk data**

The transmitted data is identical to "Program Change Table bulk data."

**#8 System Setup bulk data**

The transmitted data is identical to "System Setup bulk data."

**#9 Parameter Change data**

The transmitted data is identical to "Parameter Change data."

**#6 プログラム・バルクダンプ**

送信データ"プログラム・バルクデータ"と同様です。

**#7 プログラムチェンジ表バルクデータ**

送信データ"プログラムチェンジ表バルクデータ"と同様です。

**#8 システムセットアップ・バルクデータ**

送信データ"システムセットアップ・バルクデータ"と同様です。

**#9 パラメーターチェンジ・データ**

送信データ"パラメーターチェンジ・データ"と同様です。

**\*1) Ask Yamaha service representative****\*2) Correspondence of controller numbers to parameters**

\*1) お客様ご相談窓口にお問い合わせください。

\*2) コントロールNo対パラメーター一覧表

EFFECT	PARAMETER	No
ALL	PRE DELAY	12
	REV TIME	13
	HI-RATIO	14
	ER LEVEL	15
	EFF LEVEL	16
	LO-RATIO	17
	DIFFUS	18
	HPF	19
	LPF	20
	REV	DENSITY
LIVENESS		22
E/R DLY		23
REV→GATE	GATE LVL	24
	HOLD	25
	DECAY	26
	DETECT	27
REV→RESO	SENS	28
	RESO	29
	DECAY	30
	MIX	31
REV→DFILT	SENS	70
	OFFSET	71
	RESO	72
	DECAY	73
REV+CHO	SPEED	74
REV→CHO	DEPTH	75
REV→FLG	FB LVL*	76
REV→SYM	MIX	77
REV→TRM	SPEED	78
	DEPTH	79
	PHASE	80
	WAVE	81
ECHO→REV	FB LVL	82
	CROSS FB	83

\*REV→FLG only

\* REV→FLGのみ

REV500

YAMAHA [Digital Reverberator]  
 Model: REV500 MIDI Implementation Chart

Date: 8/26, 1996  
 Version: 1.0

Function...		Transmitted	Recognized	Remarks
Basic Channel	Default Changed	x x	1-16, off 1-16, off	Memorized
Mode	Default Messages Altered	x x *****	OMNI off/ OMNI off x x	Memorized
Note Number	: True voice	x *****	x x	
Velocity	Note ON Note OFF	x x	x x	
After Touch	Key's Ch's	x x	x x	
Pitch Bender		x	x	
Control Change	12 -31 70 - 83	x x	0 0	*1
Prog Change	: True #	x *****	0	*2
System Exclusive		0	0	Bulk Dump
System Common	: Song Pos : Song Sel : Tune	x x x	x x x	
System Real Time	: Clock : Commands	x x	x x	
Aux Messages	: Local ON/OFF : All Notes OFF : Active Sense : Reset	x x x x	x x x x	

Notes: \*1 = Depend on effect type.  
 \*2 = For program 1 - 128, REV500 program is selected.

# DIGITAL REVERBERATOR

# REV500

# PARTS LIST

## ■ CONTENTS (目次)

OVERALL ASSEMBLY (総組立) .....	1
ELECTRICAL PARTS (電気部品) .....	3~5

## Notes DESTINATION ABBREVIATIONS

A : Australian model	J : Japanese model
B : British model	M : South African model
C : Canadian model	Q : South-east Asia model
D : German model	U : U.S.A. model
E : European model	V : General export model (110V)
F : French model	W : General export model (220V)
G : Belgian model	X : General export model
H : North European model	Y : Export model
I : Indonesian model	

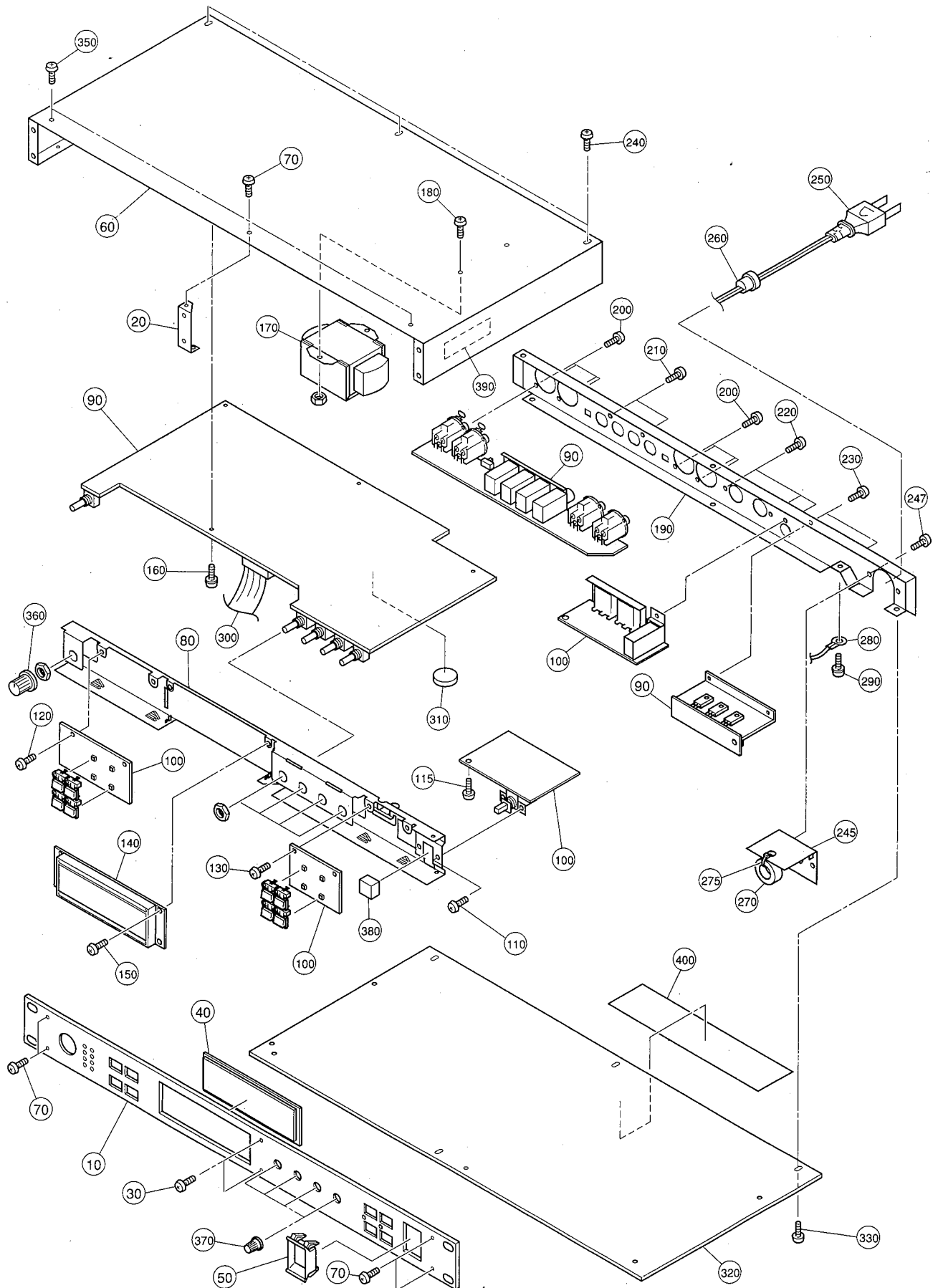
## ■ WARNING

Components having special characteristics are marked  $\Delta$  and must be replaced with parts having specifications equal to those originally installed.

$\Delta$ 印の部品は、安全を維持するために重要な部品です。交換をする場合は、安全のため必ず指定の部品をご使用下さい。

- The numbers in "QTY" shows quantities for each unit.
- The parts with "--" in "Parts No." are not available as spare parts.
- 部品価格ランクは、変更になることがあります。
- QTY 欄に記載されている数字は、各ユニット当たりの使用個数です
- 部品 No.が "--" の部品は、サービス用部品として準備されていません。

# OVERALL ASSEMBLY (総組立)



REF NO.	PART NO.	DESCRIPTION	部 品 名	REMARKS	QTY	ランク
		OVERALL ASSEMBLY	総 組 立	REV500		
* 10	VV042700	Front Panel	フ ロ ン ト パ ネ ル			
* 20	VV043400	Angle Bracket	ア ン グ ル			
30	EP600190	Bind Head Tapping Screw-B	+ バ イ ン ド B タ イ ト		2	01
* 40	VV043600	LCD Cover	L C D カ バ ー			
50	VL813000	Escutcheon, Power Switch	P S W エ ス カ ッ シ ョ ン			03
* 60	VV043100	Top Cover	ト ッ プ カ バ ー			
70	EP600190	Bind Head Tapping Screw-B	+ バ イ ン ド B タ イ ト		5	01
* 80	VV043300	Sub Chassis	サ ブ シ ャ ー シ			
* 90	NX818380	Circuit Board	A D ( 1 / 3 ) シ ー ト	(XS225B0)		
* 90	NX818390	Circuit Board	A D ( 2 / 3 ) シ ー ト	(XS225B0)		
* 90	NX818400	Circuit Board	A D ( 3 / 3 ) シ ー ト	(XS225B0)		
* 100	NX818410	Circuit Board	S U B ( 1 / 4 ) シ ー ト	J,U,C,V (XS226B0)		
* 100	NX818420	Circuit Board	S U B ( 1 / 4 ) シ ー ト	H,B,W (XS226B0)		
* 100	NX818430	Circuit Board	S U B ( 2 / 4 ) シ ー ト	(XS226B0)		
* 100	NX818440	Circuit Board	S U B ( 3 / 4 ) シ ー ト	(XS226B0)		
* 100	NX818450	Circuit Board	S U B ( 4 / 4 ) シ ー ト	(XS226B0)		
110	EG330360	Bind Head Screw	+ バ イ ン ド 小 ネ ジ		2	01
115	EP600190	Bind Head Tapping Screw-B	+ バ イ ン ド B タ イ ト			01
120	EP600190	Bind Head Tapping Screw-B	+ バ イ ン ド B タ イ ト		2	01
130	EP600190	Bind Head Tapping Screw-B	+ バ イ ン ド B タ イ ト		2	01
* 140	VV088500	LCD	液 晶 デ ィ ス プ レ イ			
150	EP600190	Bind Head Tapping Screw-B	+ バ イ ン ド B タ イ ト		2	01
160	VP157200	Bind Head Tapping Screw-C	+ バ イ ン ド C タ イ ト		4	01
* 170	XS087A00	Power Transformer	電 源 ト ラ ン ス	J		
* 170	XS088A00	Power Transformer	電 源 ト ラ ン ス	U,C,V		
* 170	XS089A00	Power Transformer	電 源 ト ラ ン ス	H,B,W		
180	EP600190	Bind Head Tapping Screw-B	+ バ イ ン ド B タ イ ト		2	01
* 190	VV042800	Rear Panel	リ ア パ ネ ル	J		
* 190	VV042900	Rear Panel	リ ア パ ネ ル	U,C,V		
* 190	VV043000	Rear Panel	リ ア パ ネ ル	H,B,W		
200	EP600190	Bind Head Tapping Screw-B	+ バ イ ン ド B タ イ ト		8	01
210	EP600190	Bind Head Tapping Screw-B	+ バ イ ン ド B タ イ ト		2	01
220	EP600190	Bind Head Tapping Screw-B	+ バ イ ン ド B タ イ ト		3	01
230	EP600190	Bind Head Tapping Screw-B	+ バ イ ン ド B タ イ ト		2	01
240	EP600190	Bind Head Tapping Screw-B	+ バ イ ン ド B タ イ ト		3	01
245	VP991800	Cord Panel	コ ー ド パ ネ ル	J		
245	VQ201700	Cord Panel	コ ー ド パ ネ ル	U,C,V		05
245	VP992000	Cord Panel	コ ー ド パ ネ ル	H,B,W		05
247	EP600190	Bind Head Tapping Screw-B	+ バ イ ン ド B タ イ ト		2	01
250	MG002290	AC Cord	電 源 コ ー ド	J		03
250	VU768500	AC Cord	電 源 コ ー ド	U,C,V		05
250	VU768600	AC Cord	電 源 コ ー ド	H		05
250	VU768700	AC Cord	電 源 コ ー ド	B,W		07
260	CB068630	Cord Strain Relief	コ ー ド ス ト ッ パ ー	J		01
260	CB811230	Cord Strain Relief	コ ー ド ス ト ッ パ ー	U,C,V		02
260	CB032840	Cord Strain Relief	コ ー ド ス ト ッ パ ー	H,B,W		03
270	VC362700	Ferrite Core	フ ェ ラ イ ト コ ア			04
275	CB069250	Cord Holder	イ ン シ ュ ロ ッ ク タ イ			01
280	LA003690	Lug Terminal	ラ グ 端 子	U,C,V,H,B,W		01
290	EG340360	Bind Head Screw	+ バ イ ン ド 小 ネ ジ	U,C,V,H,B,W		01
* 300	VV162100	FFC Cable	F F C ケ ー ブ ル			
310	VN103500	Lithium Battery	リ チ ウ ム 電 池			03
* 320	VV471100	Bottom Assembly	ボ ト ム ア ン ー ム			
330	EP600190	Bind Head Tapping Screw-B	+ バ イ ン ド B タ イ ト		10	01
350	EP600190	Bind Head Tapping Screw-B	+ バ イ ン ド B タ イ ト		2	01
360	VM463700	Knob, VR	V R ノ ブ	INPUT LEVEL		04
370	VM840900	Knob, EN	V R ノ ブ	PRE DELAY,REV TIME, HI-RATIO,ER LEVEL	4	03
380	VL812900	Power Switch Knob	P S W ノ ブ	POWER		03
390	--	Label	注 意 書	U,C,V (CB81875)		
400	--	Label	ラ 意 書	U,C,V (VV31600)		

\* New Parts (新規部品)

ランク : Japan only

**ELECTRICAL PARTS (電気部品)**

REF NO.	PART NO.	DESCRIPTION	部 品 名	REMARKS	QTY	ランク
		ELECTRICAL PARTS	電 気 部 品	REV500		
*	NX818380	Circuit Board	A D ( 1 / 3 ) シート	(XS225B0)		
*	NX818390	Circuit Board	A D ( 2 / 3 ) シート	(XS225B0)		
*	NX818400	Circuit Board	A D ( 3 / 3 ) シート	(XS225B0)		
*	NX818410	Circuit Board	S U B ( 1 / 4 ) シート	(XS226B0)	J,U,C,V	
*	NX818420	Circuit Board	S U B ( 1 / 4 ) シート	(XS226B0)	H,B,W	
*	NX818430	Circuit Board	S U B ( 2 / 4 ) シート	(XS226B0)		
*	NX818440	Circuit Board	S U B ( 3 / 4 ) シート	(XS226B0)		
*	NX818450	Circuit Board	S U B ( 4 / 4 ) シート	(XS226B0)		
	NX818380	Circuit Board	A D ( 1 / 3 ) シート	(XS225B0)		
	UA353150	Mylar Capacitor	マ イ ラ - コ ン			01
	UA353320	Mylar Capacitor	マ イ ラ - コ ン			01
	UA353750	Mylar Capacitor	マ イ ラ - コ ン			01
	UA354100	Mylar Capacitor	マ イ ラ - コ ン			01
	FG612270	Ceramic Capacitor-B	セ ラ コ ン B			01
	FG613470	Ceramic Capacitor-B	セ ラ コ ン B			01
	FG651330	Ceramic Capacitor-SL	セ ラ コ ン ( S L )			01
	FG651680	Ceramic Capacitor-SL	セ ラ コ ン ( S L )			01
	FG652100	Ceramic Capacitor-SL	セ ラ コ ン ( S L )			01
	FG652150	Ceramic Capacitor-SL	セ ラ コ ン ( S L )			01
	VK662900	Ceramic Capacitor-CH	セ ラ コ ン C H			01
	UJ837100	Electrolytic Cap.	ケ ミ コ ン			01
	UJ837220	Electrolytic Cap.	ケ ミ コ ン			01
	UJ838100	Electrolytic Cap.	ケ ミ コ ン			01
	UJ649220	Electrolytic Cap.	ケ ミ コ ン			03
	VP825200	Electrolytic Cap.	ケ ミ コ ン			05
	UN837100	Electrolytic Cap.-BP	B P ケ ミ コ ン			01
	UN848100	Electrolytic Cap.-BP	B P ケ ミ コ ン			01
	VC694800	Semiconductive Cera. Cap.	半 導 体 セ ラ コ ン			01
	HF754100	Carbon Resistor	カ - ボ ン 抵 抗			01
	HF754560	Carbon Resistor	カ - ボ ン 抵 抗			01
	HF754750	Carbon Resistor	カ - ボ ン 抵 抗			01
	HF755100	Carbon Resistor	カ - ボ ン 抵 抗			01
	HF755220	Carbon Resistor	カ - ボ ン 抵 抗			01
	HF755330	Carbon Resistor	カ - ボ ン 抵 抗			01
	HF755470	Carbon Resistor	カ - ボ ン 抵 抗			01
	HF755510	Carbon Resistor	カ - ボ ン 抵 抗			01
	HF755560	Carbon Resistor	カ - ボ ン 抵 抗			01
	HF755680	Carbon Resistor	カ - ボ ン 抵 抗			01
	HF756100	Carbon Resistor	カ - ボ ン 抵 抗			01
	HF756130	Carbon Resistor	カ - ボ ン 抵 抗			01
	HF756180	Carbon Resistor	カ - ボ ン 抵 抗			01
	HF756200	Carbon Resistor	カ - ボ ン 抵 抗			01
	HF756270	Carbon Resistor	カ - ボ ン 抵 抗			01
	HF756330	Carbon Resistor	カ - ボ ン 抵 抗			01
	HF756470	Carbon Resistor	カ - ボ ン 抵 抗			01
	HF756510	Carbon Resistor	カ - ボ ン 抵 抗			01
	HF756750	Carbon Resistor	カ - ボ ン 抵 抗			01
	HF756820	Carbon Resistor	カ - ボ ン 抵 抗			01
	HF757100	Carbon Resistor	カ - ボ ン 抵 抗			01
	HF757160	Carbon Resistor	カ - ボ ン 抵 抗			01
	HF757180	Carbon Resistor	カ - ボ ン 抵 抗			01
	HF757200	Carbon Resistor	カ - ボ ン 抵 抗			01
	HF757220	Carbon Resistor	カ - ボ ン 抵 抗			01
	HF757240	Carbon Resistor	カ - ボ ン 抵 抗			01
	HF757470	Carbon Resistor	カ - ボ ン 抵 抗			01
	HF758100	Carbon Resistor	カ - ボ ン 抵 抗			01
	HJ358150	Carbon Resistor	カ - ボ ン 抵 抗	(HF75815)		01
	HF759100	Carbon Resistor	カ - ボ ン 抵 抗			01
	HL325150	Metal Oxide Film Resistor	酸 化 金 属 被 膜 抵 抗	(VC77350)		01
	VE445200	Resistor Array	抵 抗 ア レ			01
	IG001390	IC	IC	OP AMP		03
	XP774A00	IC	IC	OP AMP		03
	XQ824A00	IC	IC	OP AMP		02
	XA507A00	IC	AN78N05	REGULATOR +5V		02
	XH970A00	IC	M62021L	RESET		04
	IR000050	IC	SN74HC00N	NAND		03
	IR000450	IC	SN74HC04N	INVERTER		03
	IR001450	IC	SN74HC14N	INVERTER		05

\* New Parts (新規部品)

ランク : Japan only



REF NO.	PART NO.	DESCRIPTION	部 品 名	REMARKS	QTY	ランク
	IR012300	IC	TC74HC123AP	C	MONO FF	04
	IR014810	IC	HD74HC148P	C	ENCODER	03
	IR024550	IC	SN74HC245N	C	TRANSCIVER	06
	IR036750	IC	SN74HC367N	C	BUS DRIVER	06
	XK278A00	IC	HD6435208A00P	C	CPU	09
	XM047A00	IC	YSP99	C	GATE ARRAY	07
	XK832C00	IC	TC518128CFL-80	C	PSRAM 1M	09
	XK834A00	IC	HY6264ALJ-85,70	C	SRAM 64K	08
*	XS389A00	IC	HN27C301AG-10EPROM	C	EPROM 1M	
	XQ962C00	IC	YSS228D-F	C	DSP3	20
*	XS387A00	IC	AK5350	C	DA CONVERTER	
*	XS388A00	IC	AK4321	C	DA CONVERTER	
*	KC001900	Relay	DC RY12W	リレ - 1 2 V		07
*	VV152100	Rotary Encoder	EVQVCM	ロータリーエンコーダ	PRE DELY,REV TIME, HI-RATIO,ER LEVEL	
	LB932050	Base Post Connector	VH- 5P TE	ベースポスト		01
	VF728300	Connector	52147- 6P TE	コネクタ		01
	VK024900	Wire Trap	52147- 5P TE	ワイヤートラップ		01
	VK025100	Wire Trap	52147- 7P TE	ワイヤートラップ		01
	VK025200	Wire Trap	52147- 8P TE	ワイヤートラップ		01
*	VS666700	Connector	SLW-16P TE	コネクタ		
	VJ532800	IC Socket	DICF-32CS-E	ICソケット		02
	VN103600	Battery Holder	CR2032	バッテリーホルダー		03
	FZ006970	LC Filter	LS MT Y223NB	LCフィルターEMI		02
	VI951800	Ceramic Resonator	20.0M CSA20.00M	セラミック振動子		02
	VK175200	Ceramic Resonator	11.28M CST11.2MT	セラミック振動子		02
	VT841300	Ceramic Resonator	30.00M CSAMXZ30M	セラミック振動子		02
*	VV151900	Variable Resistor	A 10.0K x 2 EVJC20	二連ロータリーVR	INPUT LEVEL	
	IA101590	Transistor	2SA1015 O,Y	トランジスタ		01
	IC1815M0	Transistor	2SC1815 Y,GR	トランジスタ		01
	VB481900	Diode	11ES4	ダイオード		01
	VB941200	Diode	1SS133,1SS176	ダイオード		01
	IH001120	Diode Stack	S2VB20 2.0A 200V	ダイオードスタック		03
	VD473200	Photo Coupler	6N137	フォトカプラ		05
	VF891900	Jack Angle		JACKアングル		02
*	VY696400	Holder, Cannon Connector		キャノン金具 2連		
*	VV043500	Heat Sink		ヒートシンク		
	EP600190	Bind Head Tapping Screw-B	3.0X8 MFZN2BL	+バインドBタイト		01
*	NX818390	Circuit Board	AD 2/3	A D ( 2 / 3 ) シート	(XS225B0)	
	XD338A00	IC	AN7805F	C	REGULATOR +5V	03
	XC721A00	IC	NJM7912FA	C	REGULATOR -12V	02
	XJ608A00	IC	NJM7812FA	C	REGULATOR +12V	02
	VC694800	Semiconductive Cera. Cap.	0.1000 25V Z	半導体セラコン		01
	VI878600	Cable Holder	51048- 8P TE	ケーブルホルダー		04
	--	Jumper Wire	FVP=2.0C26SB8-100	2 6 7 8ジャンパーワイヤ	(VV15360)	
*	NX818400	Circuit Board	AD 3/3	A D ( 3 / 3 ) シート	(XS225B0)	
	FG612470	Ceramic Capacitor-B	470P 50V K	セラコン B		01
	VB835000	Coil	FL5R200QNT 20uH	コイル 2 0 u H		01
	GE300610	Ferrite Bead	BL02RN1-R62T4	フェライトビーズ		01
	VP799800	Slide Switch	SSSF12341A	スライド S W	-10dB/+4dB	02
	VS056300	Phone Jack	HLJ7001-01-	ホーンコネクタ	INPUT,OUTPUT	01
	VS133700	XLM Connector	NC3MAH	キャノンコネクタ	OUTPUT L,R	04
	VT838100	XLM Connector	NC3FAH1	キャノンコネクタ	INPUT L,R	04
	VI878300	Cable Holder	51048- 5P TE	ケーブルホルダー		01
	VI878400	Cable Holder	51048- 6P TE	ケーブルホルダー		01
	VI878500	Cable Holder	51048- 7P TE	ケーブルホルダー		01
	--	Jumper Wire	FVP=2.0C26SB5-100	2 6 7 8ジャンパーワイヤ	(VU07290)	
	--	Jumper Wire	FVP=2.0C26SB6-100	2 6 7 8ジャンパーワイヤ	(VV15340)	
	--	Jumper Wire	FVP=2.0C26SB7-100	2 6 7 8ジャンパーワイヤ	(VV15350)	
*	NX818410	Circuit Board	SUB 1/4	S U B ( 1 / 4 ) シート	J,U,C,V	(XS226B0)
*	NX818420	Circuit Board	SUB 1/4	S U B ( 1 / 4 ) シート	H,B,W	(XS226B0)
*	VV151800	Spacer	MPS-06-0	カードスペーサー		
	FI383470	Capacitor	4700P 400V U.C.S.V	規格認定コン		01
	VP331900	Push Switch	ESB8278V-F J.U.C.S	プッシュ S W	POWER	03
	GD900760	Coil	PLA3021AR0R01B1	コイル 3 ミリ		06
△	KB003530	Fuse	T 1.00A JU	ヒューズ	J,U,C,V	01

\* New Parts (新規部品)

ランク : Japan only

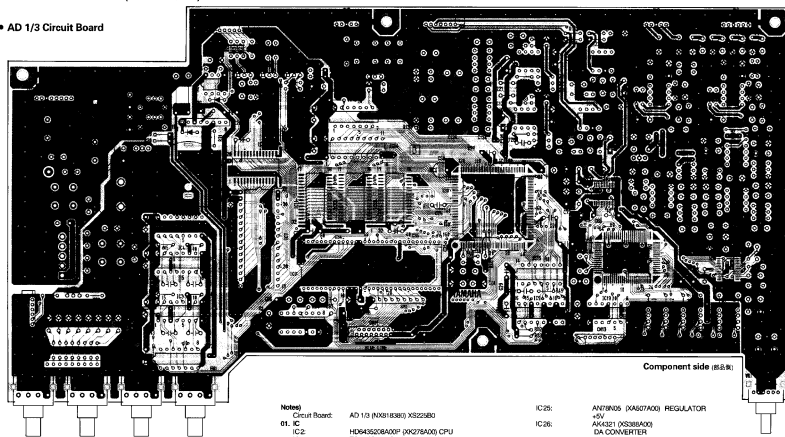
REF NO.	PART NO.	DESCRIPTION	部 品 名	REMARKS	QTY	ランク
△	KB003040	Fuse	TL 1.00A S	ヒューズ	H,B,W	01
	VA855400	Terminal		P C 用 カ ラ ゲ 端 子		01
	LB932030	Base Post Connector	VH- 3P TE	ベースポスト		01
	LB201530	Fuse Holder	PC-PH1	ヒューズホルダー		01
*	NX818430	Circuit Board	SUB 2/4	SUB (2/4) シート	(XS226B0)	01
	VC694800	Semiconductive Cera. Cap.	0.1000 25V Z	半 導 体 セ ラ コ ン		01
	VB835000	Coil	FL5R200QNT	コイル 20uH		01
	VS056400	Phone Jack	HLJ7101-01-	ホーンコネクタ	FOOT SW	01
	LB500590	DIN Connector	5P TCS4650-01-4151	D I N コ ネ ク タ	MIDI IN, MIDI OUT	02
	VI878300	Cable Holder	51048- 5P TE	ケーブルホルダー		01
	VF892000	DIN Socket Holder		D I N ソ ケ ッ ト ホ ル ダ ー		01
	VM485700	Jack Wire		J A C K ア ン グ ル 単 連		05
	--	Jumper Wire	FVP=2.0C26SB5-100	2 6 7 8 ジ ャ ン パ ー ワ イ ヤ	(VU07290)	
*	NX818440	Circuit Board	SUB 3/4	SUB (3/4) シート	(XS226B0)	01
	VT513600	Touch Switch	EVQ 22C 05B	ライトタッチ SW 2端子	PROGRAM(TYPE,PRESET/USER, NUMBER -,+)	01
	VI878500	Cable Holder	51048- 7P TE	ケーブルホルダー		01
	VB941200	Diode	1SS133,1SS176	ダイオード		01
	VT838500	LED	SLZ-135B-08-T1 RE	L E D	CLIP(L,R),EFF LEVEL,	01
	VU091400	LED	SLZ-235B-08-T1 GR	L E D	-4,-6,-24(L,R)	01
	VT810300	Push Button	PRO R3	プッシュボタン	PROGRAM(TYPE,PRESET/USER, NUMBER -,+)	03
	--	Jumper Wire	FVP=2.0C26SB7-100	2 6 7 8 ジ ャ ン パ ー ワ イ ヤ	(VV15350)	
	VM600000	Jumper Wire		平型ジャンパー線		
*	NX818450	Circuit Board	SUB 4/4	SUB (4/4) シート	(XS226B0)	01
	VT513600	Touch Switch	EVQ 22C 05B	ライトタッチ SW 2端子	STORE,AUDITION,EFF/LEVEL, UTILITY	01
	VI878400	Cable Holder	51048- 6P TE	ケーブルホルダー		01
	VB941200	Diode	1SS133,1SS176	ダイオード		01
	VT838500	LED	SLZ-135B-08-T1 RE	L E D	CLIP(L,R),EFF LEVEL,	01
	VT810300	Push Button	PRO R3	プッシュボタン	STORE,AUDITION,EFF/LEVEL, UTILITY	03
	--	Jumper Wire	FVP=2.0C26SB6-100	2 6 7 8 ジ ャ ン パ ー ワ イ ヤ	(VV15340)	
*	VV088500	LCD		液晶ディスプレイ		
△*	XS087A00	Power Transformer		電源トランス	J	
△*	XS088A00	Power Transformer		電源トランス	U,C,V	
△*	XS089A00	Power Transformer		電源トランス	H,B,W	
	MG002290	AC Cord	7A 125V 2.0m	電源コード	J	03
	VU768500	AC Cord	3P 10A 2.5m NM	電源コード	U,C,V	05
	VU768600	AC Cord	3P 10A 2.5m NM	電源コード	H,W	05
	VU768700	AC Cord	3P 10A 2.5m NM	電源コード	B	07
*	VV162100	FFC Cable	16P 125mm	FFCケーブル		
	VN103500	Lithium Battery	CR2032	リチウム電池		03

\* New Parts (新規部品)

ランク : Japan only

■ CIRCUIT BOARDS (シート基板図)

● AD 1/3 Circuit Board



Component side (B面)

Notes

- Circuit Board: AD 1/3 (X091838) X52580
- IC: H5945208A00P (D0276A0) CPU
- IC1: TC74HC123AF (R01230) MONO FF
- IC2: HD74HC14BP (R0141) D ENCODER
- IC3: Y5990 (X067A20) GATE ARRAY
- IC7: H97C01A1G (D0EPR0M) (D0388A0) EPROM 1M
- IC8: HY68KAJ16.70 (D062A0) SRAM 64K
- IC9: SN74HC37N (R00870) BUS DRIVER
- IC10: Y5328 D-F (D026C0) DRPS
- IC11-13: TC2313 (R0149) (R05200) PSRAM 1M
- IC14: SN74HC24N (R02450) TRANSCEIVER
- IC15: SN74HC04 (R00050) NAND
- IC16-18: SN74HC04N (R00450) INVERTER
- IC19: SN74HC04N (R00450) INVERTER
- IC20: M8021L (R097A0) RESET
- IC21: ASS30 (R0587A0) AD CONVERTER

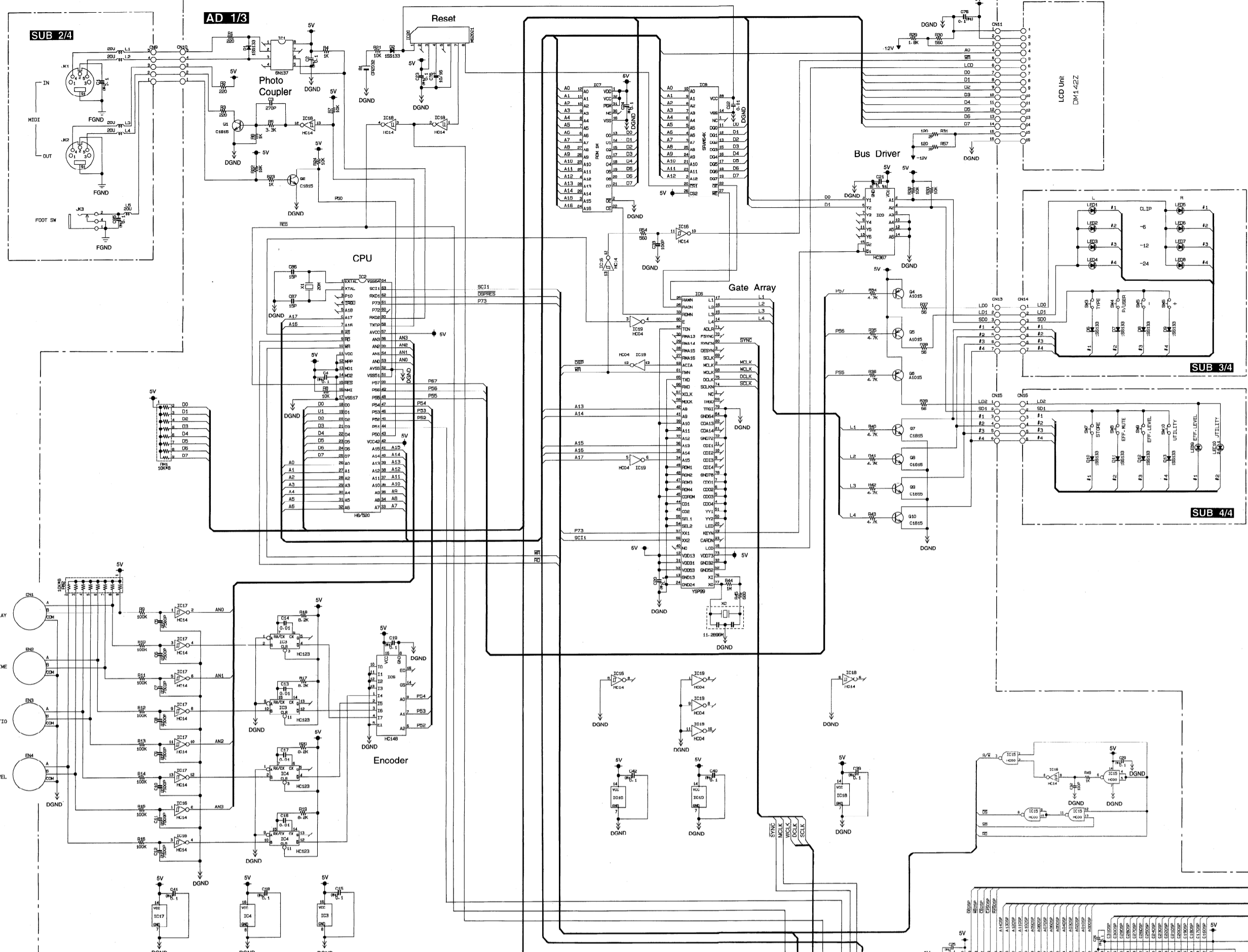
- IC25: AN7805 (K067A0) REGULATOR
- IC26: 444321 (D0388A0) DA CONVERTER
- IC101,103,105, 201,203: RC4658V (D00130) OP AMP
- IC102,202: N461153 (D077A0) OP AMP
- IC104,204: N46456A (D062A0) OP AMP
- 01: Transformer 2SC1815 Y GN (C16130) 5S4121A (R10130)
- D 1,2,7-12: 1S5133,1S5176 (V084120) D 4,6: 11E54 (V049190)
- 04: Diode Stack D3 1,2: 52V820 2.0A 200V (H00120) IC: 8N137 (V047300)
- 06: Motor Capacitor C 5-12 105,205: 7500P 50V J (J03570) C 53,16,16,17,20: 10270 50V J (J036100) C 14,21,4: 1500P 50V J (J035130) C 117,217: 2000P 50V J (J035200)

※ The lithium battery is not a part of the AD1/3 circuit board. (リチウム電池は、AD1/3シートの構成部品ではありません。)

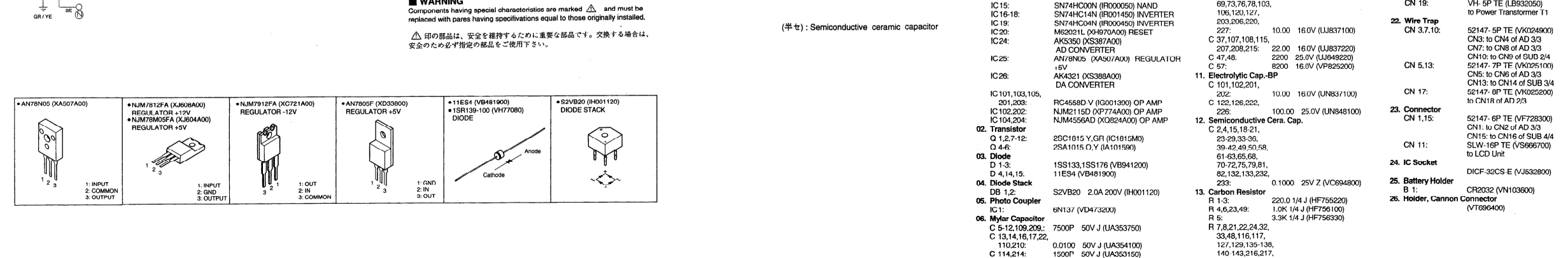
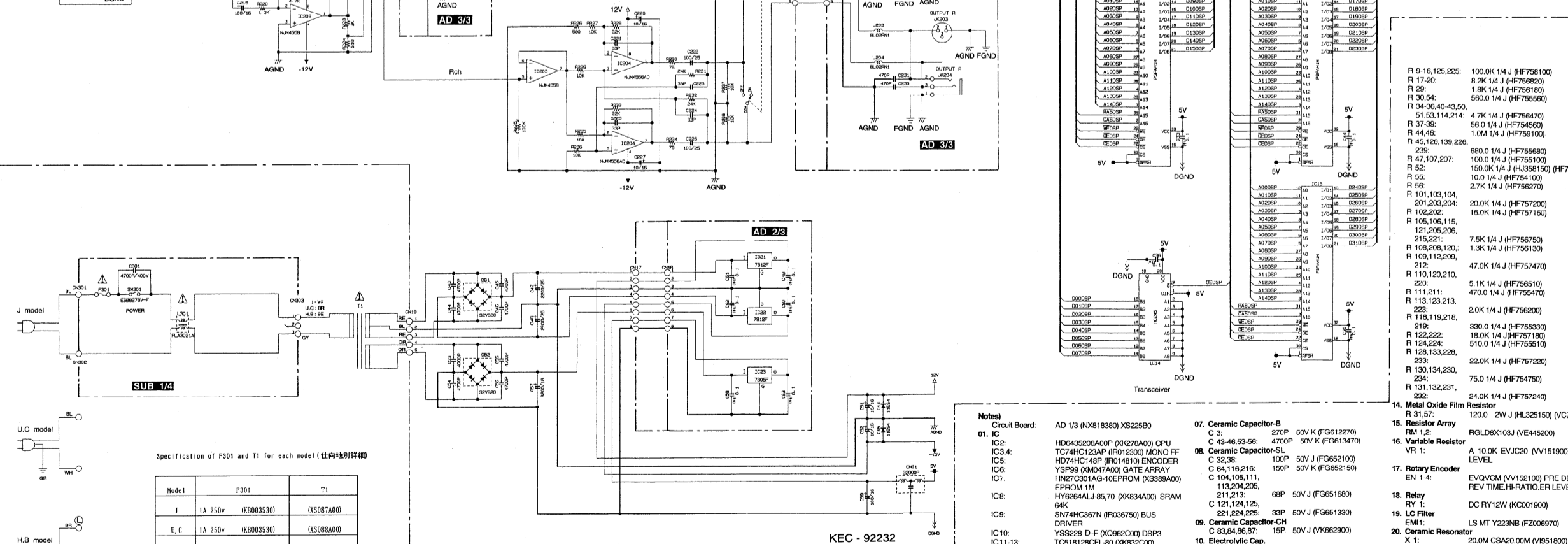
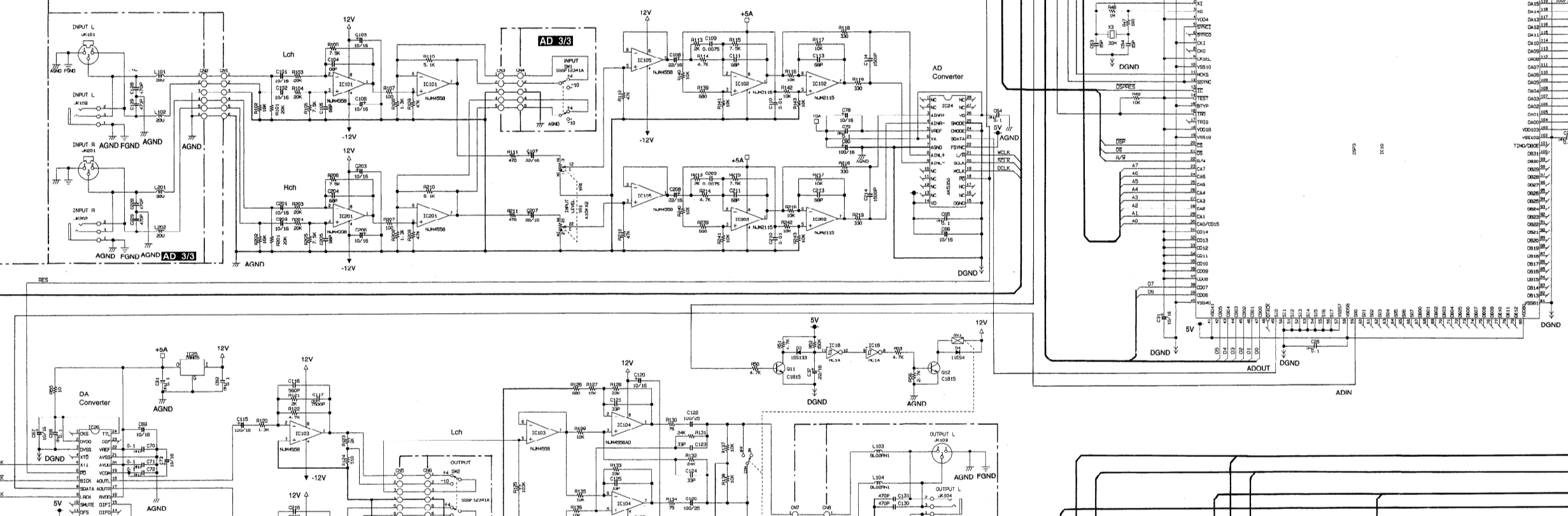
- 07. Ceramic Capacitor B C 3: 270P 50V K (F0612270) C 4,8,15,33,56: 4700P 50V K (F0613470)
- 08. Ceramic Capacitor S C 32: 100P 50V J (F0562100) C 64,114,214: 150P 50V K (F0562150) C 104,108,111, 113,204,205, 213,215, 217: 68P 50V J (F0616800) C 121,124,125, 221,224,225: 33P 50V J (F0616330) C 134,181,827: 10P 50V J (F0562900)
- 09. Ceramic Capacitor-CH C 10,134,200: 1000P 16.0V (J0358100) C 33,39,83: 1000P 16.0V (J0358100) C 115,214: 69.7K J (J0358100) C 131,132,133, 203,206,207: 10.0V 16.0V (J0358100) C 57,107,108,115, 207,208,210: 20.0V 16.0V (J0358200) C 47,47: 2000 55.0V (J0645200) C 37: 500 15.0V (V0562000)
- 11. Electrolytic Cap.-BP C 102,105,202: 1000 10.0V (J0638100) C 102,105,202: 200 100.00 25.0V (J0638100) C 2,4,15,19,21, 21,29,33,34, 38,42,49,50,56, 61,65,66,68, 70,72,75,79,81, 82,101,103,105, 140,143,146,177, 227,230,235,239
- 13. Carbon Resistor R 1,3: 250.0 1/4 J (R0752000) R 4,8,15,25,25: 100.0K 1/4 J (R0758100) R 17,20: 8.0K 1/4 J (R0750200) R 34,36: 1.0K 1/4 J (R0756100) R 35,54: 580.0 1/4 J (R0755500) R 34,36: 40.0 1/20: 51.0 1/4 J (R0756410) R 37,38: 50.0 1/4 J (R0756500) R 44,46: 1.0M 1/4 J (R0756100) R 41,46,108,109,206: 680.0 1/4 J (R0755800) R 47,107,207: 100.0 1/4 J (R0751000) R 52: 100.0K 1/4 J (R0381500) (R0758100) R 55: 50.0 1/4 J (R0754100) R 60: 2.7K 1/4 J (R0756200) R 101,103,104, 201,203,204: 20.0K 1/4 J (R0757000) R 102,202: 10.0K 1/4 J (R0757100) R 106,108,115, 121,205,206, 219,221: 7.5K 1/4 J (R0756700) R 108,208,102: 1.3K 1/4 J (R0751300) R 109,112,208, 212: 47.0K 1/4 J (R0757410)

- R 110,150,210, 220: 5.1K 1/4 J (R0756910) R 111,211: 470.0 1/4 J (R0756410) R 113,123,213, 223: 2.0K 1/4 J (R0756200) R 118,119,218, 219: 330.0 1/4 J (R0752000) R 122,222: 18.0K 1/4 J (R0757100) R 124,224: 610.0 1/4 J (R0755100) R 128,131,228, 233: 25.0K 1/4 J (R0757200) R 131,134,230, 234: 75.0 1/4 J (R0757500) R 131,132,231, 234: 34.0K 1/4 J (R0757240)
- 14. Metal Oxide Film Resistor R 1,27: 2W 1/4 J (J0325150) (V073550)
- 15. Resistor Array RA 1,2: H5L28X103 (V0163000)
- 16. Variable Resistor VR 1: A 100K (V0163000) (V0163000) INPUT LEVEL
- 17. Rotary Encoder EN 1,4: EV0VCM (V0151000) PRE DEL.V. PRE TIME (R010235) LEVEL
- 18. Relay RL 1: LC1F10M (V021000)
- 19. LC Filter LF 1: LS MP 1025M (F0209070)
- 20. Ceramic Resonator X 1: 20.00 (D04010M) (M061400) X 2: 11.28M (S2110M) (M1791300) X 3: 10.00M (S08AC0M) (V7941300)
- 21. Base Post Connector CN 16: W01 (R01480200) to Power Transformer T1 CN 3,7,9: 5S147, 6P TE (V0104900) CN2 to CN6 of AD 3S CN7 to CN6 of AD 3S CN10 to CN16 of SUB 3/4 5S147, 6P TE (V0104900) to CN8 of AD 3S
- 22. Wire Trap CN 3,7,9: 5S147, 6P TE (V0104900)
- 23. Connector CN 1,15: 5S147, 6P TE (V0738300) CN1 to CN6 of AD 3S CN10 to CN16 of SUB 4/4 5S147, 6P TE (V0686700) to LCD 1/4
- 24. IC Socket CN 11: DFC-32CS-E (J0332000)
- 25. Battery Holder B 1: CR2032 (V0103300)
- 26. Holder, Cermom Connector (V169400)

REV500 OVERALL CIRCUIT DIAGRAM (AD1/3, AD2/3, AD3/3, SUB1/4, SUB2/4, SUB3/4, SUB4/4)



- Notes**
- Circuit Board: SUB 2/4 (N0818430) X32280
  - Semiconductive Cera. Cap. C 1.05: 0.100 25V Z (VCR5400)
  - Coil L 1.5: FLR2000VT (VBR5500)
  - Phone Jack JK 2: HLJ7101-01 (VSR05400) FOOT SW
  - DIN Connector JK 1.2: 5P TCS4650-01-4151 (LB50050) MDI IN/MDI OUT
  - Cable Holder CN 9: 51048-6P TE (V878300) to CN15 of AD 1/3
  - DIN Socket Holder (V799200)
  - Jumper Wire FVP-2-0C26886-100 ( ) (V137200)
- Notes**
- Circuit Board: SUB 3/4 (N0818440) X32280
  - Diode D 15.13: 1S3133,1S5176 (VBR4120)
  - LED LED 2-4.5-R: SLZ-2368-08-T1 RE (V783600) 4.6, 3.4(L,R)
  - LED 1.2: SLZ-1358-08-T1 RE (V783600) CL(L,R)
  - Touch Switch SW 7-10: EVO 22C 028 (V751300) PROGRAMTYPE/PREFSET/USER NUMBER (-)
  - Cable Holder CN 14: 51048-6P TE (V878300) to CN15 of AD 1/3
  - Jumper Wire FVP-2-0C26887-100 ( ) (V15300) (V860000)
- Notes**
- Circuit Board: SUB 4/4 (N0818450) X32280
  - Diode D 15.13: 1S3133,1S5176 (VBR4120)
  - LED LED 9.10: SLZ-1358-08-T1 RE (V783600) EFF LEVEL/ST AD 1/3
  - Touch Switch SW 7-10: EVO 22C 028 (V751300) STORE/AUTION/EFF LEVEL, UTILITY
  - Cable Holder CN 16: 51048-6P TE (V878300) to CN15 of AD 1/3
  - Jumper Wire FVP-2-0C26886-100 ( ) (V15340)



- Notes**
- Circuit Board: AD 3/3 (N0818300) X32280
  - IC IC21: NJM7812FA (K080800) REGULATOR 1.2V
  - IC22: NJM7812FA (K080800) REGULATOR 1.2V
  - IC23: AN7805F (X033800) REGULATOR 5V
  - Semiconductive Cera. Cap. C 49.50.56 (R 45: 0.1000 25V Z (VCR4900))
  - Cable Holder CN 18: 51048-6P TE (V878300) to CN17 of AD 1/3
  - Jumper Wire FVP-2-0C26886-100 ( ) (V15300)
- Notes**
- Circuit Board: AD 3/3 (N0818300) X32280
  - Ceramic Capacitor B C 129.131: 228-231
  - Coil L 101,102,201, 202
  - Ferrite Bead L 103,104,203, 204
  - Slide Switch SW 1.2: SSSP12341A (V799900) 10x5x4x8
  - Phone Jack JK 102,104,202, 204
  - ICM Connector JK 101,201: NCF8AH (V783100) INPUT L/R
  - ICM Connector JK 103,203: NCF8AH (V783100) OUTPUT L/R
  - Cable Holder CN 2: 51048-6P TE (V878300) to CN1 of AD 1/3
  - Cable Holder CN 4: 51048-6P TE (V878300) to CN1 of AD 1/3
  - Cable Holder CN 6: 51048-6P TE (V878300) to CN1 of AD 1/3
  - Jumper Wire FVP-2-0C26885-100 ( ) (V127200)
  - FVP-2-0C26886-100 ( ) (V127200)
  - FVP-2-0C26887-100 ( ) (V15300)
- Notes**
- Circuit Board: SUB 1/4 (N0818410) X32280
  - J.U.C.V. J.U.C.V. (N0818420) X32280 H/L/W
  - Capacitor C 301: 4700P 50V U.C.V. F388470
  - Push Switch SW 301: PWS8078V F.J.U.C.S. (F331900) POWER
  - Coil L 301: PLA3021R0101B1 (G2000700)
  - Fuse F 301: T-1.0A 1/4W 0.50A J.U.C.V. (V452500)
  - Fuse F 301: T-1.0A 1/4W 0.50A J.U.C.V. (V452500)
  - Terminal CN 301,302: FVP-2-0C26887-100 ( ) (V15300)
  - Base Post Connector CN 303: VH-3P TE (L693200)

**WARNING**  
Components having special characteristics are marked with a triangle and must be replaced with parts having specifications equal to those originally installed.  
△ 特別な特性を有する部品は、三角形で表示され、交換する場合は、同等の規格の部品を使用して下さい。

(半): Semiconductive ceramic capacitor

Model	F301	T1
J	1A 250V (K0803530)	(X3287100)
U.C.	1A 250V (K0803530)	(X3288300)
H.B.	T1AL 250V (K0803940)	(X3289300)

**Specifications of F301 and T1 for each model (仕入れ別詳細)**

Model	F301	T1
J	1A 250V (K0803530)	(X3287100)
U.C.	1A 250V (K0803530)	(X3288300)
H.B.	T1AL 250V (K0803940)	(X3289300)