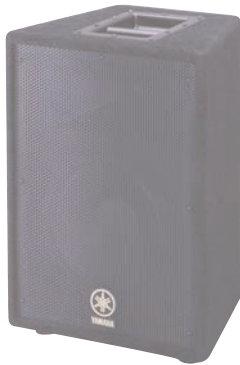
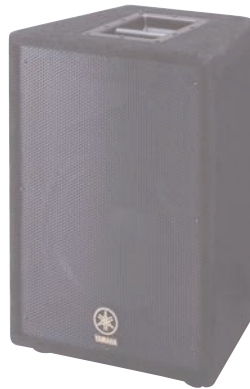


# SPEAKER SYSTEM / SUBWOOFER A10/A12/A12M/A15/A15W

## SERVICE MANUAL



A10



A12



A12M



A15



A15W

### ■ CONTENTS

SPECIFICATIONS & DIMENSIONS .....	3
NEUTRIK NL4FC PLUG WIRING .....	3
CROSSOVER .....	4
DISASSEMBLY PROCEDURE .....	9
• A10/A12/A15 .....	9
• A12M .....	12
• A15W .....	15

### PARTS LIST

## **SPEAKER SYSTEM/SUBWOOFER A10/A12/A12M/A15/A15W**

### **IMPORTANT NOTICE**

This manual has been provided for the use of authorized Yamaha Retailers and their service personnel. It has been assumed that basic service procedures inherent to the industry, and more specifically Yamaha Products, are already known and understood by the users, and have therefore not been restated.

**WARNING :** Failure to follow appropriate service and safety procedures when servicing this product may result in personal injury, destruction of expensive components and failure of the product to perform as specified. For these reasons, we advise all Yamaha product owners that all service required should be performed by an authorized Yamaha Retailer or the appointed service representative.

**IMPORTANT :** This presentation or sale of this manual to any individual or firm does not constitute authorization certification, recognition of any applicable technical capabilities, or establish a principal-agent relationship of any form.

The data provided is believed to be accurate and applicable to the unit(s) indicated on the cover. The research engineering, and service departments of Yamaha are continually striving to improve Yamaha products. Modifications are, therefore, inevitable and changes in specification are subject to change without notice or obligation to retrofit. Should any discrepancy appear to exist, please contact the distributor's Service Division.

**WARNING :** Static discharges can destroy expensive components. Discharge any static electricity your body may have accumulated by grounding yourself to the ground bus in the unit (heavy gauge black wires connect to this bus.)

**IMPORTANT :** Turn the unit OFF during disassembly and parts replacement. Recheck all work before you apply power to the unit.

### **WARNING: CHEMICAL CONTENT NOTICE!**

The solder used in the production of this product contains LEAD. In addition, other electrical/electronic and/or plastic (Where applicable) components may also contain traces of chemicals found by the California Health and Welfare Agency (and possibly other entities) to cause cancer and/or birth defects or other reproductive harm.

**DO NOT PLACE SOLDER, ELECTRICAL/ELECTRONIC OR PLASTIC COMPONENTS IN YOUR MOUTH FOR ANY REASON WHAT SO EVER!**

Avoid prolonged, unprotected contact between solder and your skin! When soldering, do not inhale solder fumes or expose eyes to solder/flux vapor!

If you come in contact with solder or components located inside the enclosure of this product, wash your hands before handling food.

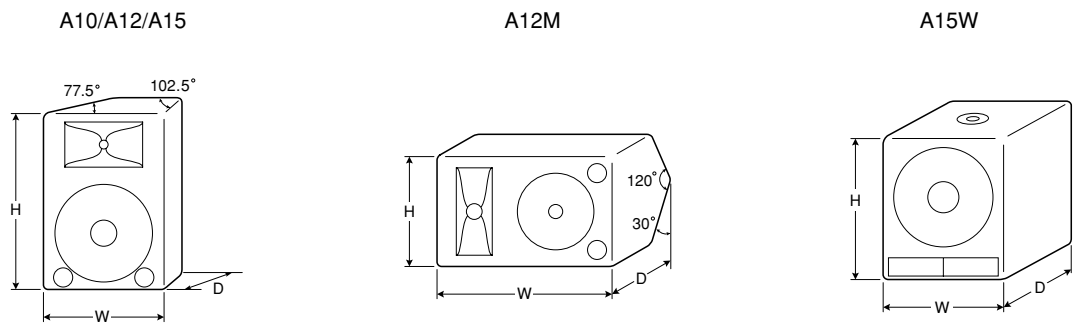
### **Protective Circuit (poly switch)**

All full-range loudspeakers are fitted with a self-resetting poly switch that protects the high-frequency driver from damage caused by excessive power. If a loudspeaker cabinet loses high-frequency output, immediately remove power from the unit and wait for two to three minutes. This should be long enough to allow the poly switch to reset. Reapply power and check the performance of the high-frequency driver before continuing, with the power reduced to a level that does not cause the poly switch to interrupt the signal. (On the subwoofers, the poly switch protects the woofer and a similar routine should be followed if the output is lost.)

## ■ SPECIFICATIONS & DIMENSIONS

Model		A10	A12	A15	A12M	A15W
Type		2 way Bass reflex				Bass reflex
Speaker Unit	LF	10" cone	12" cone	15" cone	12" cone	15" cone
	HF	1" VC, Horn-TW				—
Frequency Response		65 Hz-20 kHz		60 Hz-20 kHz	65 Hz-20 kHz	50 Hz-200 Hz with the internal low pass filtering
Power Capacity	NOISE*	125 W	150 W	200 W	150 W	250 W
	PGM	250 W	300 W	400 W	300 W	500 W
	MAX	500 W	600 W	800 W	600 W	1000 W
Nominal Impedance		8 Ω				
Sensitivity		96 dB SPL (1 W, 1 m)	97 dB SPL (1 W, 1 m)	98 dB SPL (1 W, 1 m)	97 dB SPL (1 W, 1 m)	97 dB SPL (1 W, 1 m)
Input Connectors		1/4" phone jack x 1, Neutrik SPEAKON NL4MP x 1				1/4" phone jack x 2, Neutrik SPEAKON NL4MP x 2
Socket Mount Diameter		35 mm (1 - 3/8")				
Dimensions (WxHxD)		385 mm x 542 mm x 307 mm	405 mm x 582 mm x 323 mm	470 mm x 672 mm x 375 mm	582 mm x 405 mm x 323 mm	485 mm x 622 mm x 485 mm
Weight		13.0 kg	15.5 kg	21.5 kg	15.5 kg	28.0 kg

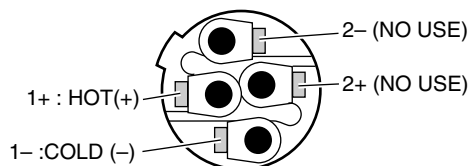
\*: EIA RS-426



Unit: mm

## ■ NEUTRIK NL4FC PLUG WIRING

If you will be using the Neutrik connectors for speaker input, wire the plugs as shown to the right. Be sure to use proper speaker cable — NOT shielded instrument or line cable — for all speaker connections.

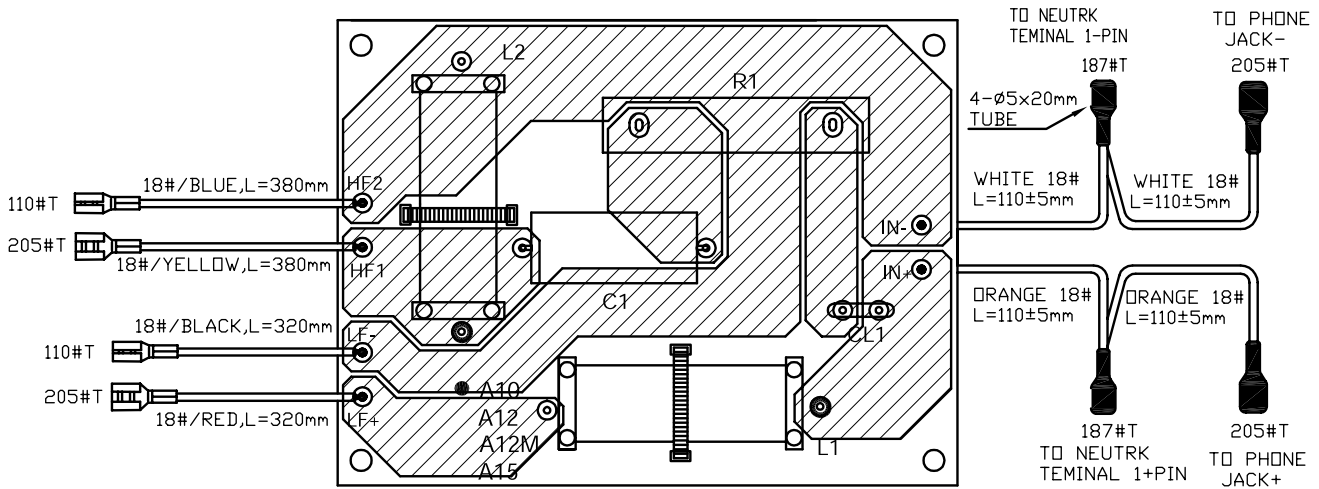


Neutrik NL4FC connector

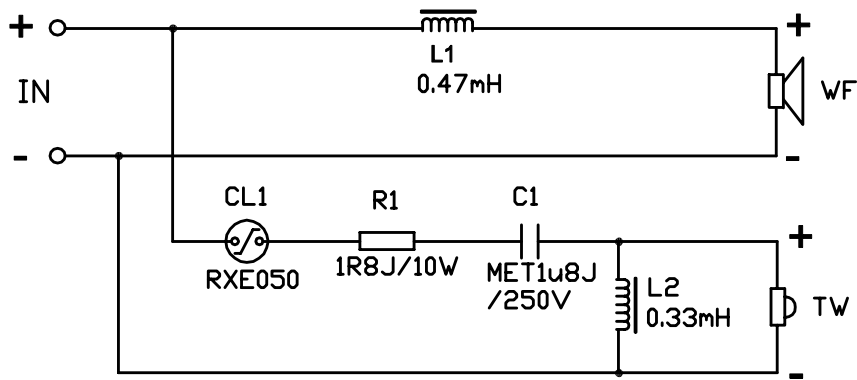
**SPEAKER SYSTEM/SUBWOOFER  
A10/A12/A12M/A15/A15W**

**■ CROSSOVER**

• A10



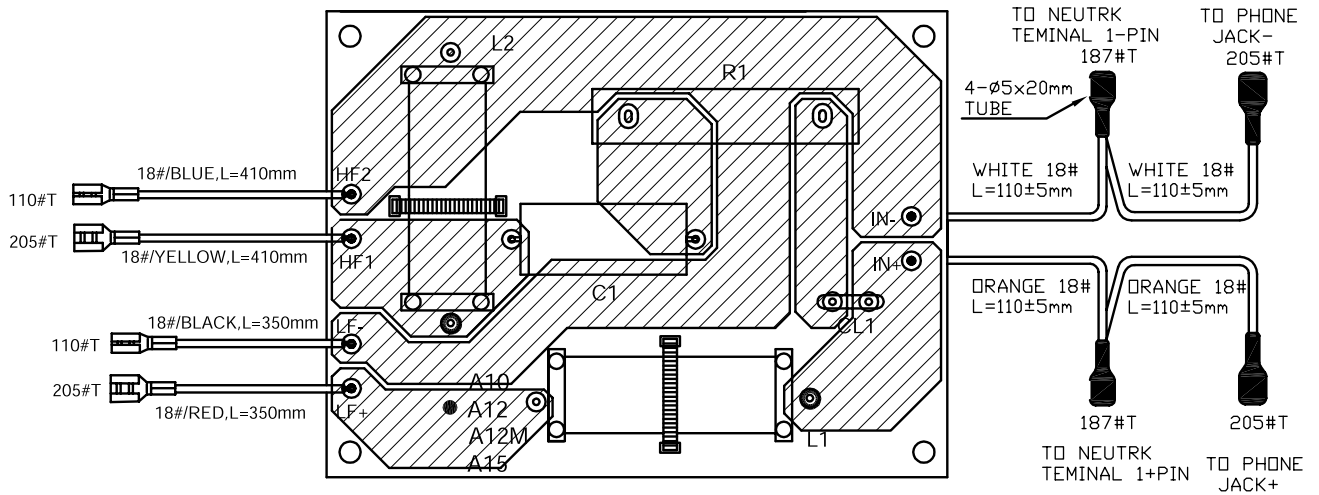
**SCHEMATIC**



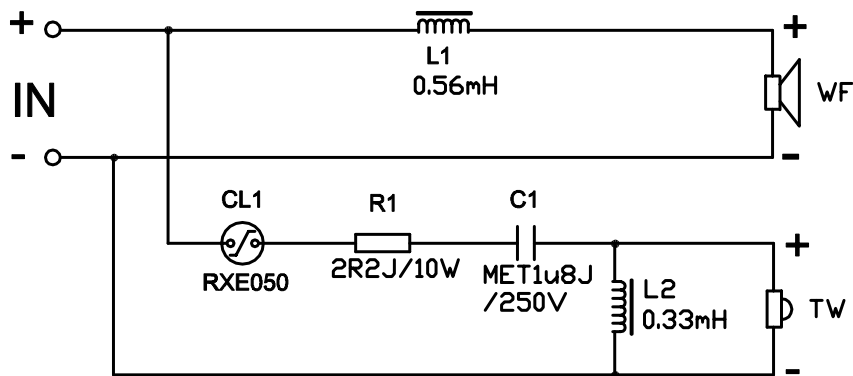
**PART SPECIFICATION**

- L1: coil laminated core(6\*7),PBT bobbin,0.47mH±5%  
copper wier D0.9mm
- L2: coil laminated core(6\*7),PBT bobbin,0.33mH±5%  
copper wier D0.6mm
- R1: rigid mount type resistor 1.8ohms±5%/10W
- C1: film capacitor 1.8uF±5%/250v □D10.5\*30.5mm axial
- CL1: polswitch RXE050 (Raychem circuit protection)

• **A12**



**SCHEMATIC**

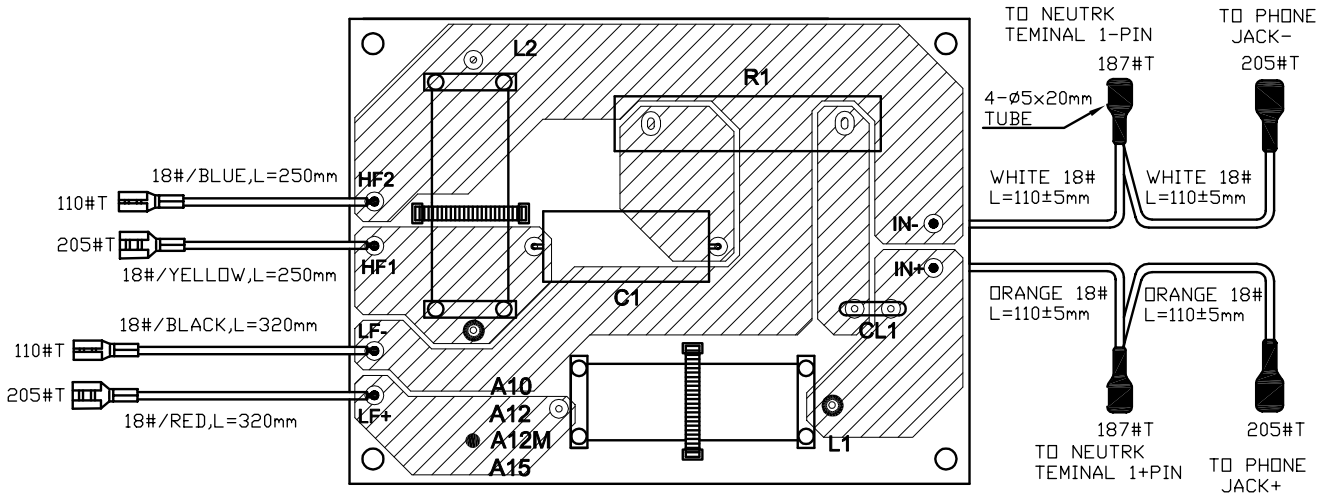


**PART SPECIFICATION**

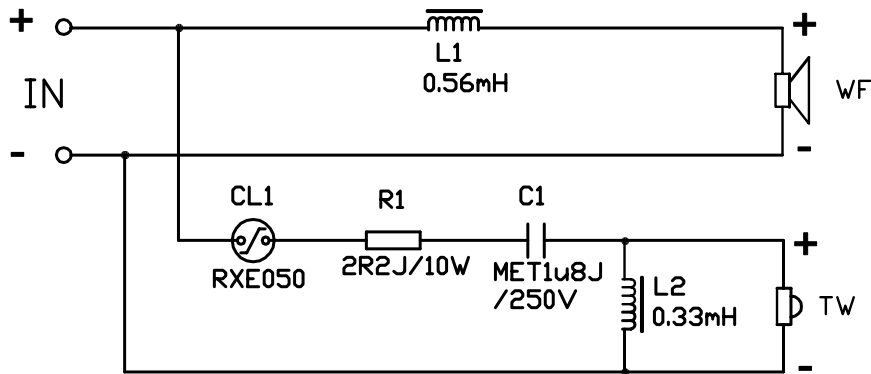
- L1: coil laminated core(6\*7),PBT bobbin,0.56mH±5%  
copper wier D0.9mm
- L2: coil laminated core(6\*7),PBT bobbin,0.33mH±5%  
copper wier D0.6mm
- R1: rigid mount type resistor 2.2ohms±5%/10W
- C1: film capacitor 1.8uF±5%/250v □D10.5\*30.5mm axial
- CL1: polyswitch RXE050 (Raychem circuit protection)

**SPEAKER SYSTEM/SUBWOOFER  
A10/A12/A12M/A15/A15W**

• **A12M**



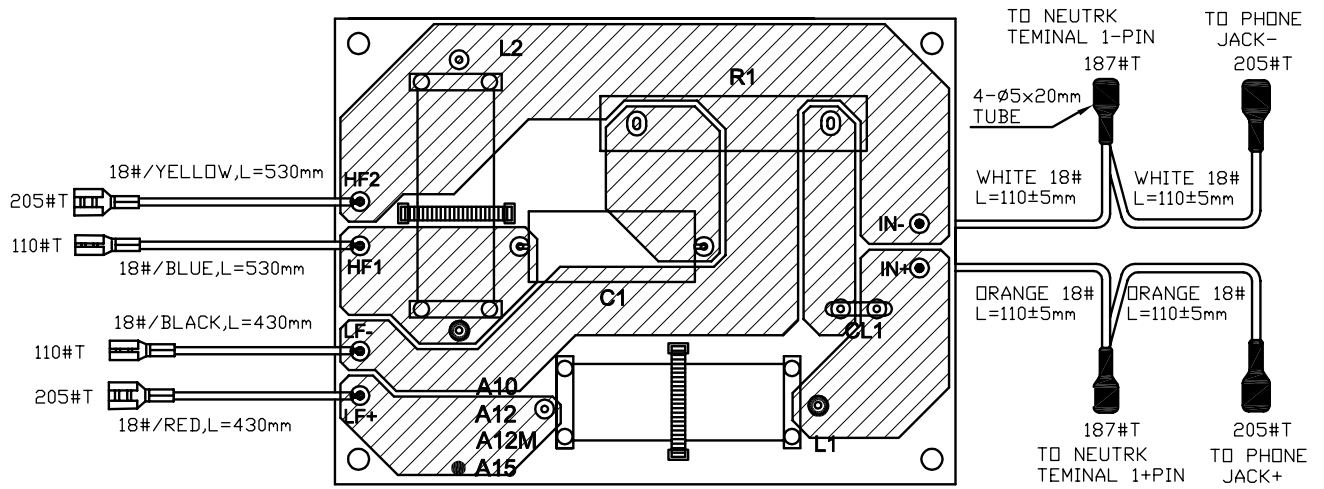
**SCHEMATIC**



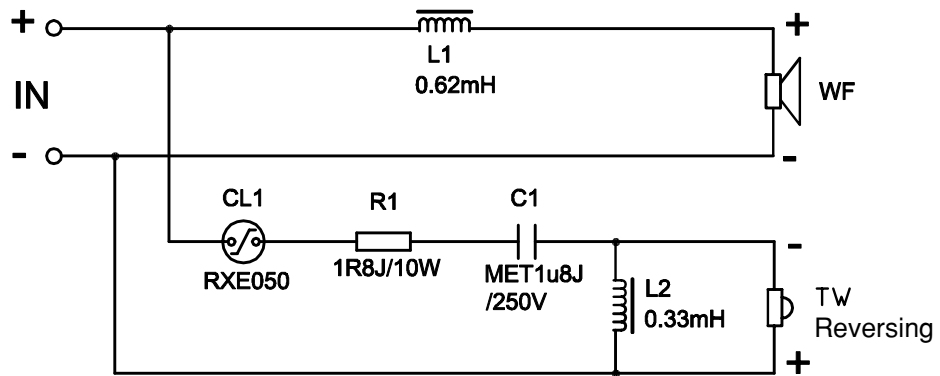
**PART SPECIFICATION**

- L1: coil laminated core(6\*7),PBT bobbin,0.56mH±5%  
copper wier D0.9mm
- L2: coil laminated core(6\*7),PBT bobbin,0.33mH±5%  
copper wier D0.6mm
- R1: rigid mount type resistor 2.2ohms±5%/10W
- C1: film capacitor 1.8uF±5%/250v □D10.5\*30.5mm axial
- CL1: polyswitch RXE050 (Raychem circuit protection)

• **A15**



**SCHEMATIC**

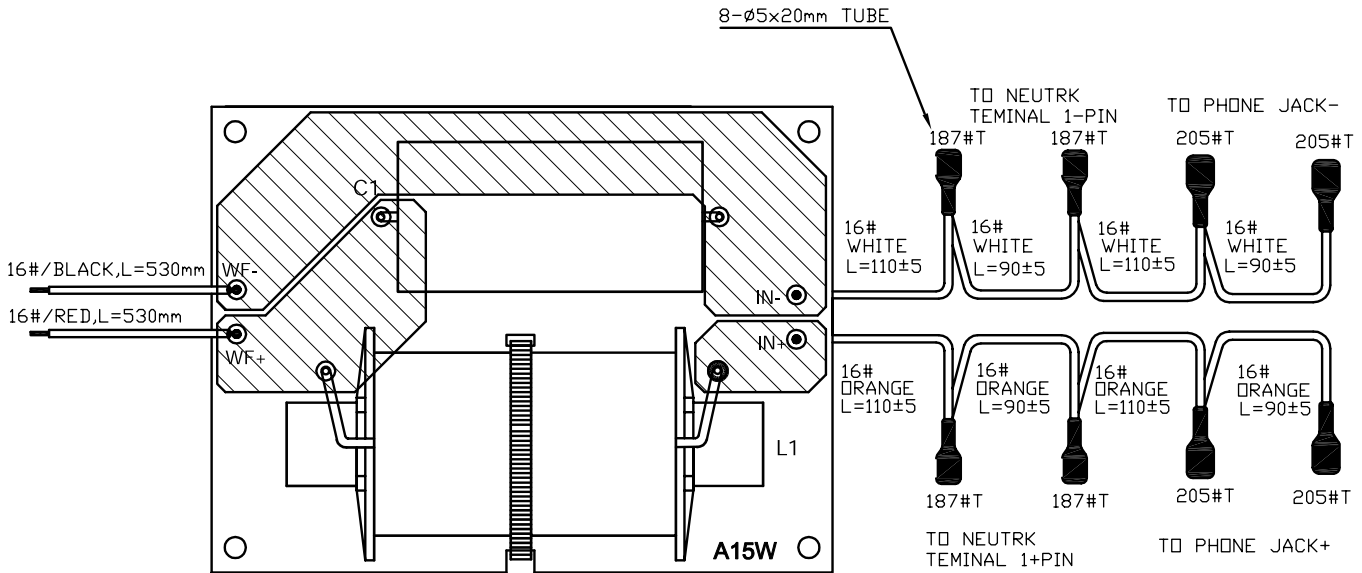


**PART SPECIFICATION**

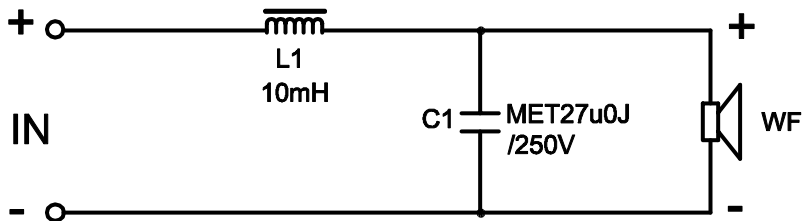
- L1: coil laminated core(6\*7),PBT bobbin,0.62mH±5%  
copper wier D0.9mm
- L2: coil laminated core(6\*7),PBT bobbin,0.33mH±5%  
copper wier D0.6mm
- R1: rigid mount type resistor 1.8ohms±5%/10W
- C1: film capacitor 1.8uF±5%/250v □D10.5\*30.5mm axial
- CL1: polswitch RXE050 (Raychem circuit protection)

**SPEAKER SYSTEM/SUBWOOFER**  
**A10/A12/A12M/A15/A15W**

• **A15W**



**SCHEMATIC**



**PART SPECIFICATION**

- L1: coil laminated core(15\*15),PBT bobbin,10mH±5%  
copper wier D1.0mm
- C1: film capacitor 27uF±5%/250v □D27\*55mm axial



## ■ DISASSEMBLY PROCEDURE

### ● A10/A12/A15

#### 1. Metal Handle

(Time required: About 2 minute)

- 1-1 Remove the ten (10) screws marked [5A]. The metal handle then removed. (Photo. 1)

#### 2. Tripod Support Mount

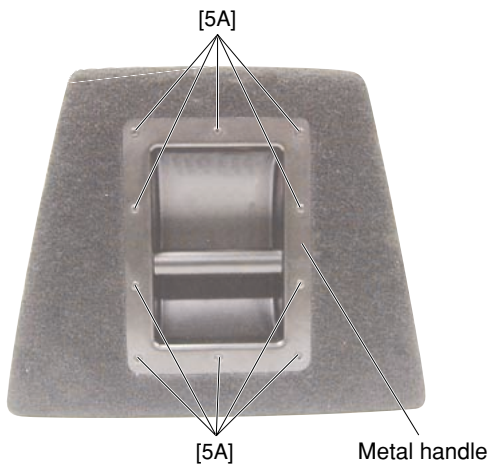
(Time required: About 1 minutes)

- 2-1 Remove the four (4) screws marked [26]. The tripod support mount can then be removed. (Photo.2)

#### 3. Rubber Foot (Time required: About 1 minutes)

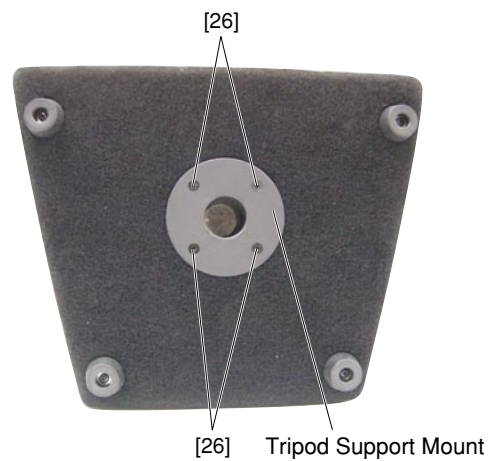
- 3-1 Remove the screw marked [42]. The rubber foot can then be removed. (Photo.3)

(A10)



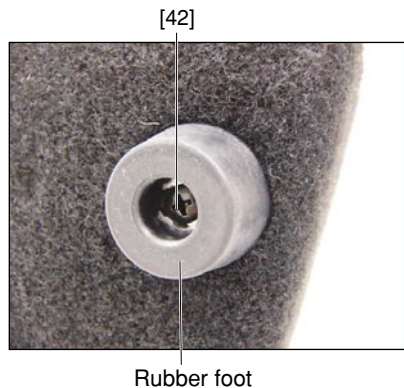
[5]: +Bind Head Tapping Screw D4.0/L16 Black (AAX59650)

Photo.1



[26]: +Flat Head Tapping Screw D5.0/l25 Black (AAX59770)

Photo.2



[42]: +Bind Head Wood Screw D5.0/L30 (AAX59870)

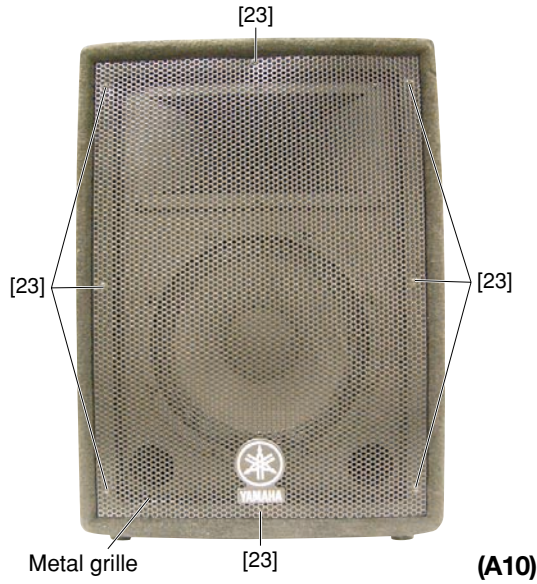
Photo.3

**SPEAKER SYSTEM/SUBWOOFER**  
**A10/A12/A12M/A15/A15W**

**4. Speaker(Woofe)r**

**(Time required: About 3 minutes)**

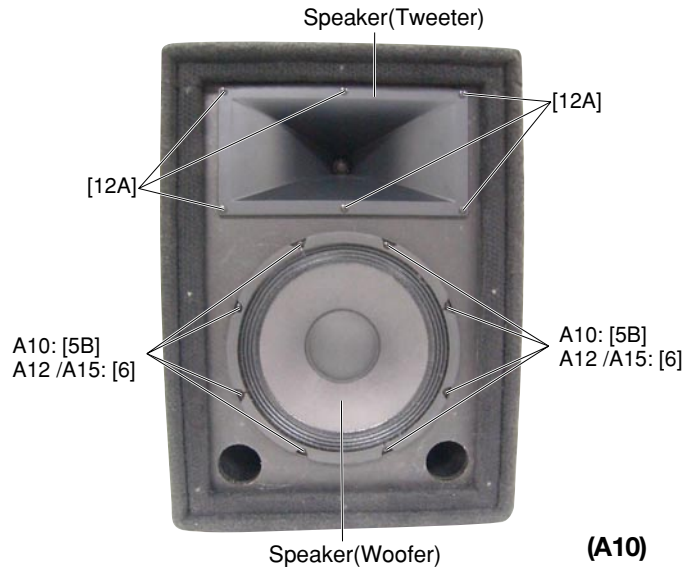
4-1 Remove the eight (8) screws marked [23]. The metal grille can then be removed. (Photo.4)



[23]: +Cup Screw D4.0/L16 Black (WA764400)

Photo.4

4-2 **A10:** Remove the eight (8) screws marked [5B]. The speaker(woofe)r can then be removed. (Photo.5)  
**A12/ A15:** Remove the eight (8) screws marked [6]. The speaker(woofe)r can then be removed. (Photo.5)



**A10**  
**[5]: +Bind Head Tapping Screw D4.0/L16 Black (AAX59650)**  
**[12]: +Bind Head Tapping Screw D4.0/L25 Black (AAX59670)**  
**A12/A15**  
**[6]: +Bind Head Tapping Screw D5.0/L20 Black (VB857600)**  
**[12]: +Bind Head Tapping Screw D4.0/L25 Black (AAX59670)**

Photo.5

**5. Speaker(Tweeter)**

**(Time required: About 3 minutes)**

5-1 Remove the metal grille. (See procedure 4-1)

5-2 Remove the the six (6) screws marked [12A]. The speaker(tweeter) can then be removed. (Photo.5, 6, 7)

● Speaker(Tweeter)



Photo.6

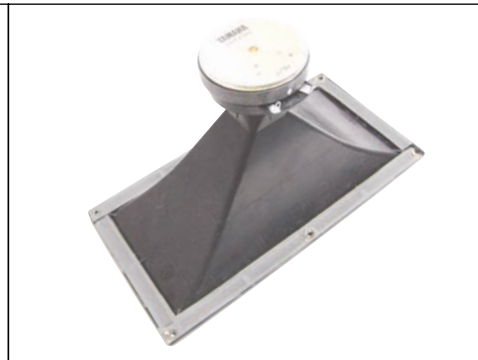


Photo.7

**6. Terminal Plate, Network**

**(Time required: About 2 minutes)**

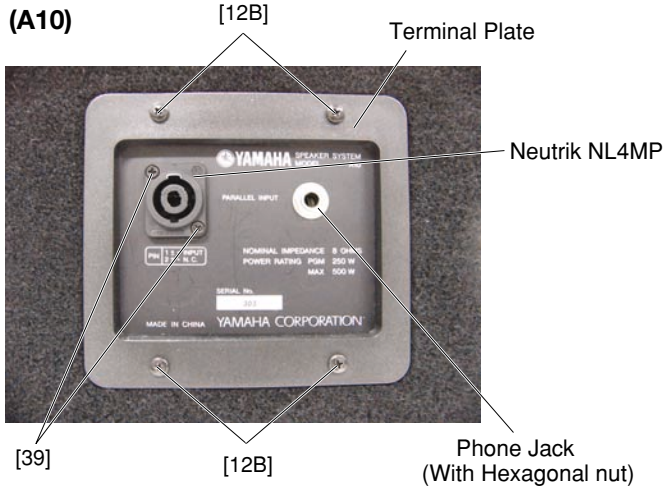
6-1 Remove the four (4) screws marked [12B]. The network and terminal plate can then be removed. (Photo.8)

**6-2 Network**

6-2-1 Remove the four (4) screws marked [33]. The network can then be removed. (Photo.9)

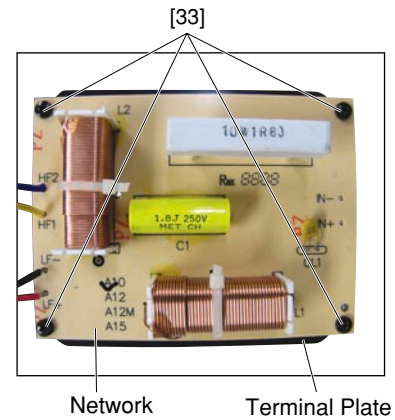
6-3 Remove the two (2) screws marked [39] and the two (2) hexagonal nuts marked [38]. The neutrik NL4MP can then be removed. (Photo.8, 10)

6-4 Remove the hexagonal nut. The phone jack can then be removed. (Photo.8, 10)



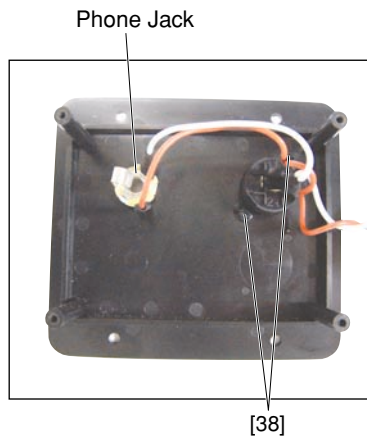
[12]: +Bind Head Tapping Screw D4.0/L25 Black (AAX59670)  
[39]: +Flat Head Machine Screw M3.0/L12 Black (V5993400)

Photo.8



[33]: +Bind Head Tapping Screw D3.0/L20 Black (VI064700)

Photo.9



[38]: Nut (ES200030)

Photo.10

**SPEAKER SYSTEM/SUBWOOFER  
A10/A12/A12M/A15/A15W**

● **A12M**

**1. Metal Handle**

**(Time required: About 2 minute)**

1-1 Remove the ten (10) screws marked [5]. The metal handle then removed. (Photo. 1)

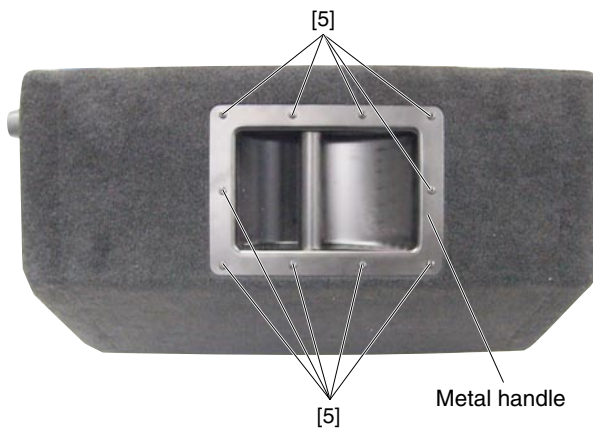
**2. Tripod Support Mount**

**(Time required: About 1 minutes)**

2-1 Remove the four (4) screws marked [26]. The tripod support mount can then be removed. (Photo.2)

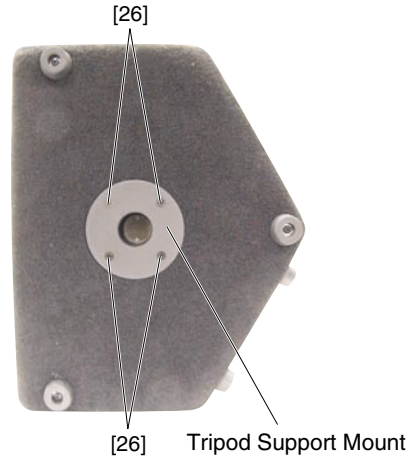
**3. Rubber Foot (Time required: About 1 minutes)**

3-1 Remove the screw marked [42]. The rubber foot can then be removed. (Photo.3)



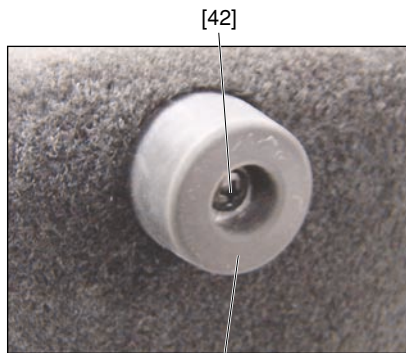
[5]: +Bind Head Tapping Screw D4.0/L16 Black (AAx59650)

Photo.1



[26]: +Flat Head Tapping Screw D5.0/L25 Black (AAx59770)

Photo.2



[42]: +Bind Head Wood Screw D5.0/L30 (AAx59870)

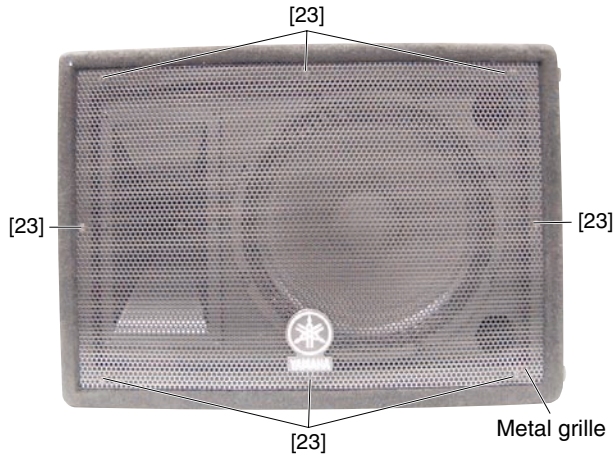
Photo.3



**4. Speaker(Woofe)r**

**(Time required: About 3 minutes)**

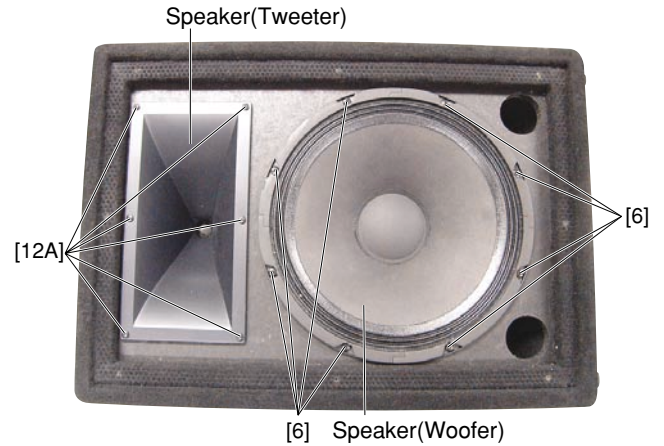
4-1 Remove the eight (8) screws marked [23]. The metal grille can then be removed. (Photo.4)



[23]: +Cup Screw D4.0/L16 Black (WA764400)

Photo.4

4-2 Remove the eight (8) screws marked [6]. The speaker(woofe)r can then be removed. (Photo.5)



[6]: +Bind Head Tapping Screw D5.0/L20 Black (VB857600)  
[12]: +Bind Head Tapping Screw D4.0/L25 Black (AAx59670)

Photo.5

**5. Speaker(Tweeter)**

**(Time required: About 3 minutes)**

5-1 Remove the metal grille. (See procedure 4-1)

5-2 Remove the the six (6) screws marked [12A]. The speaker(tweeter) can then be removed. (Photo.5, 6, 7)

● Speaker(Tweeter)

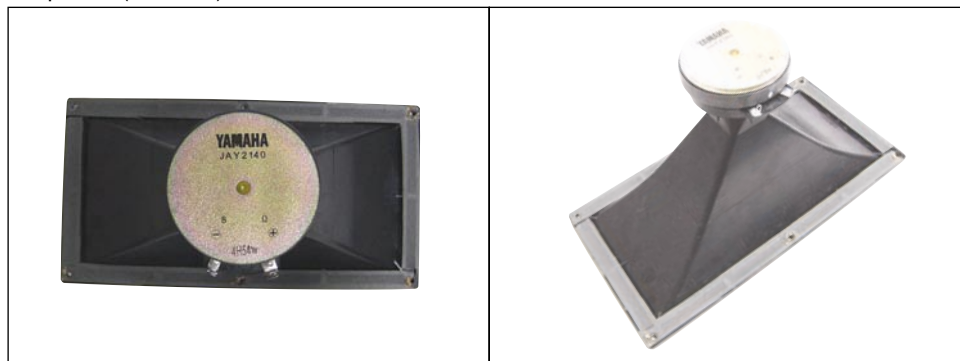


Photo.6

Photo.7

**SPEAKER SYSTEM/SUBWOOFER  
A10/A12/A12M/A15/A15W**

**6. Terminal Plate, Network**

**(Time required: About 2 minutes)**

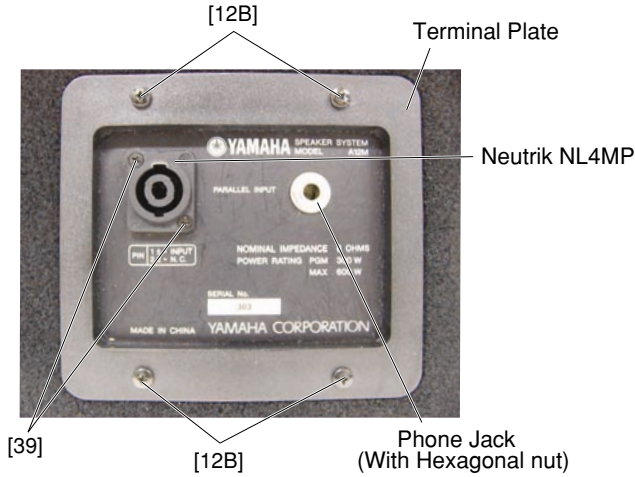
6-1 Remove the four (4) screws marked [12B]. The network and terminal plate can then be removed. (Photo.8)

**6-2 Network**

6-2-1 Remove the four (4) screws marked [33]. The network can then be removed. (Photo.9)

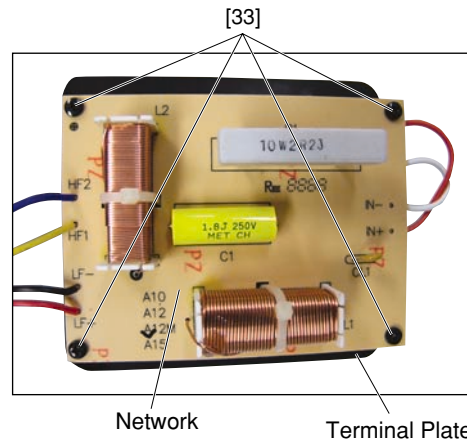
6-3 Remove the two (2) screws marked [39] and the two (2) hexagonal nuts marked [38]. The Neutrik NL4MP can then be removed. (Photo.8, 10)

6-4 Remove the hexagonal nut. The phone jack can then be removed. (Photo.8, 10)



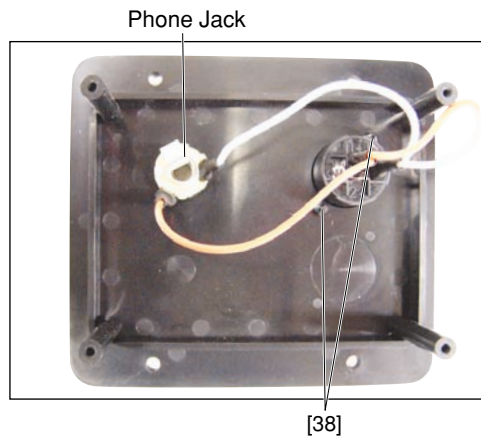
[12]: +Bind Head Tapping Screw D4.0/L25 Black (AAX59670)  
[39]: +Flat Head Machine Screw M3.0/L12 Black (V5993400)

Photo.8



[33]: +Bind Head Tapping Screw D3.0/L20 Black (V1064700)

Photo.9



[38]: Nut (ES200030)

Photo.10

● **A15W**

**1. Metal Handle**

**(Time required: About 2 minute)**

1-1 Remove the ten (10) screws marked [5]. The metal handle then removed. (Photo. 1)

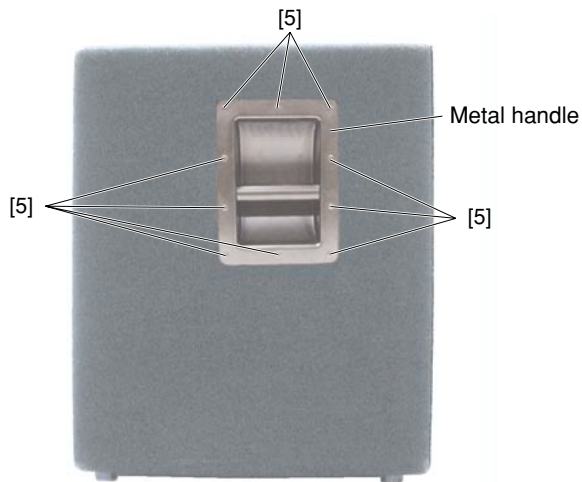
**2. Tripod Support Mount**

**(Time required: About 1 minutes)**

2-1 Remove the four (4) screws marked [27]. The tripod support mount can then be removed. (Photo.2)

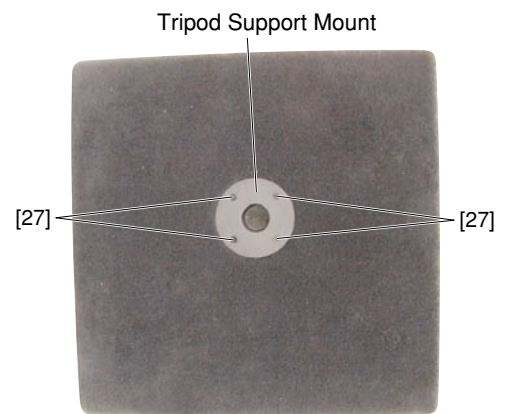
**3. Rubber Foot (Time required: About 1 minutes)**

3-1 Remove the screw marked [42]. The rubber foot can then be removed. (Photo.3)



[5]: +Bind Head Tapping Screw D4.0/L16 Black (AAX59650)

Photo.1



[27]: +Flat Head Machine Screw M5.0/L40 Black (AAX59780)

Photo.2



Rubber foot

[42]: +Bind Head Wood Screw D5.0/L30 (AAX59870)

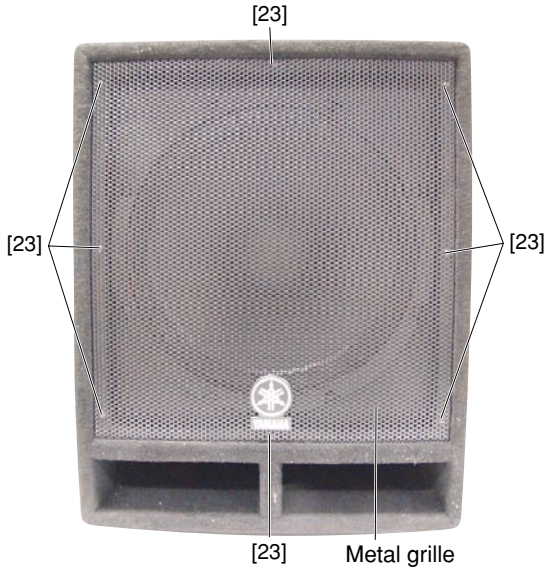
Photo.3

**SPEAKER SYSTEM/SUBWOOFER  
A10/A12/A12M/A15/A15W**

**4. Speaker(Woofers)**

**(Time required: About 3 minutes)**

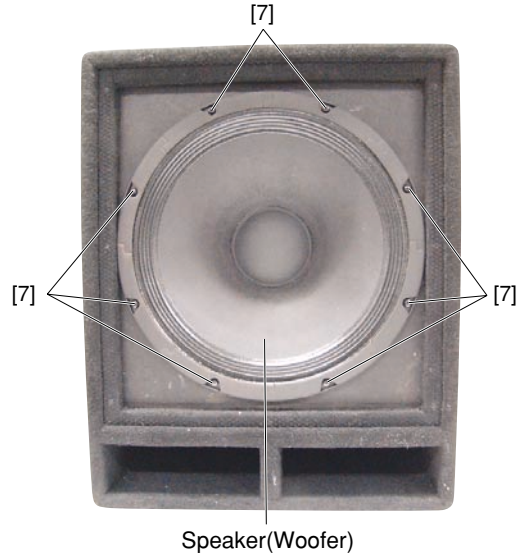
4-1 Remove the eight (8) screws marked [23]. The metal grille can then be removed. (Photo.4)



[23]: +Cup Screw D4.0/L16 Black (WA764400)

Photo.4

4-2 Remove the eight (8) screws marked [7]. The speaker(woofer) can then be removed. (Photo.5)



[7]: +Bind Head Tapping Screw D5.0/L25 Black (VI014200)

Photo.5

**5. Terminal Plate, Network**

**(Time required: About 2 minutes)**

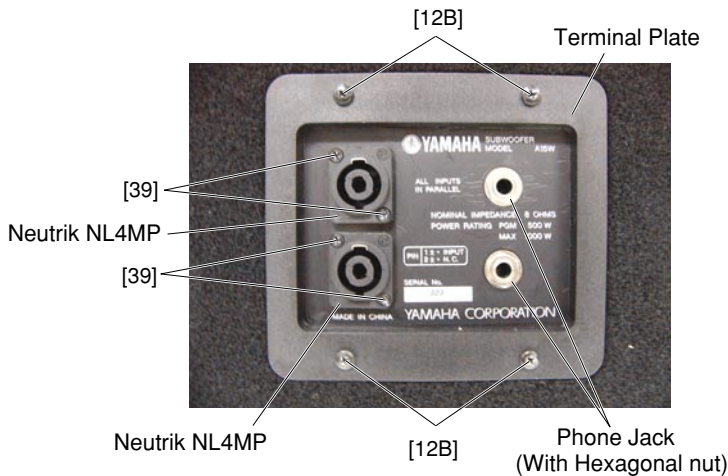
5-1 Remove the four (4) screws marked [12B]. The network and terminal plate can then be removed. (Photo.6)

5-2 **Network**

5-2-1 Remove the four (4) screws marked [33]. The network can then be removed. (Photo.7)

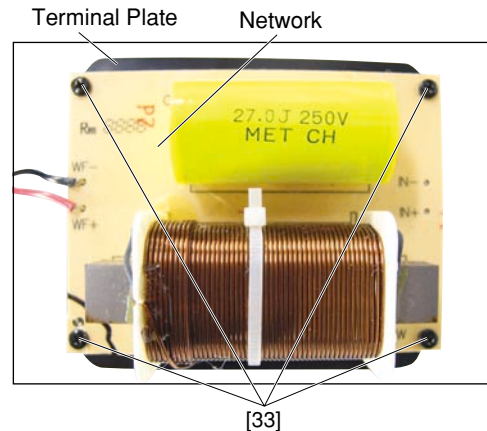
5-3 Remove the two (2) screws marked [39] and the two (2) hexagonal nuts marked [38]. The neutrik NL4MP can then be removed. (Photo.6, 8)

5-4 Remove the hexagonal nut. The phone jack can then be removed. (Photo.6, 8)



[12]: +Bind Head Tapping Screw D4.0/L25 Black (AAX59670)  
[39]: +Flat Head Machine Screw M3.0/L12 Black (V5993400)

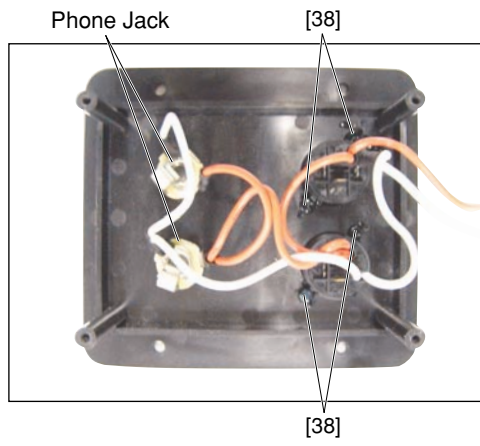
Photo.6



[33]: +Bind Head Tapping Screw D3.0/L20 Black (VI064700)

Photo.7





**[18]: Nut (ES200030)**

Photo.8

# SPEAKER SYSTEM/ SUBWOOFER

# A10/A12/A12M/A15/A15W

# PARTS LIST

## ■ CONTENTS

### OVERALL ASSEMBLY

• A10 .....	2
• A12 .....	3
• A12M .....	4
• A15.....	5
• A15W .....	6

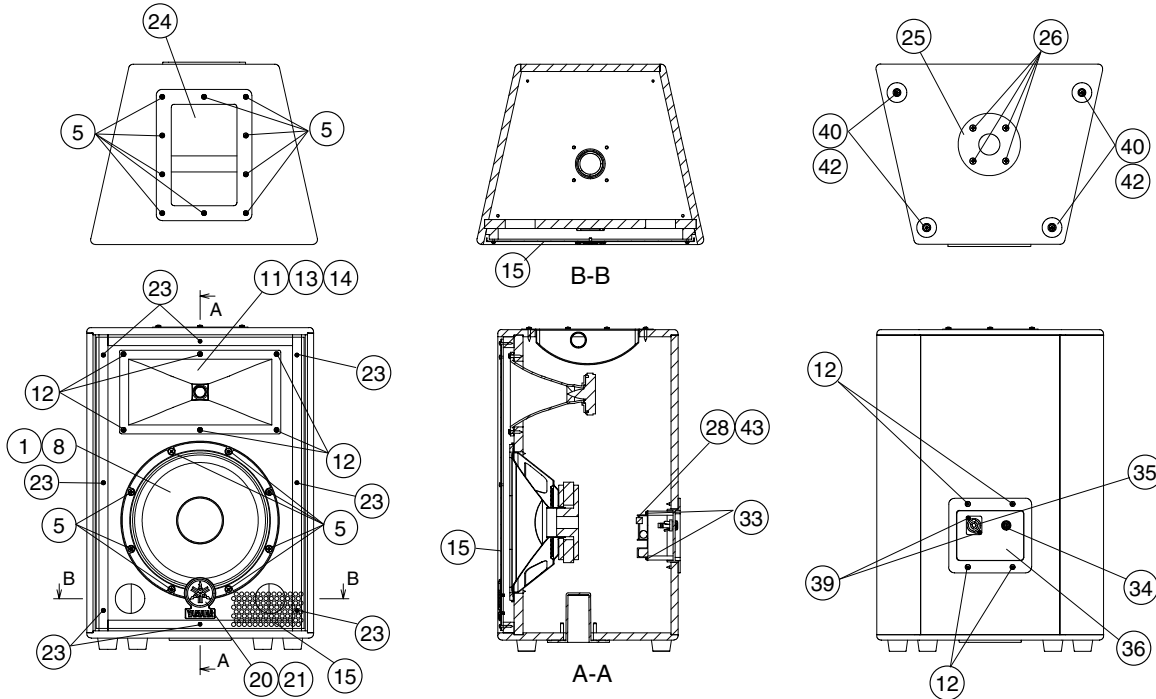
### Notes : DESTINATION ABBREVIATIONS

A : Australian model B : British model C : Canadian model D : German model E : European model F : French model H : North European model I : Indonesian model J : Japanese model K : Korean model	M: South African model O: Chinese model Q: South-east Asia model T : Taiwan model U : U.S.A. model V : General export model (110V) W: General export model (220V) N,X: General export model Y : Export model
---	--

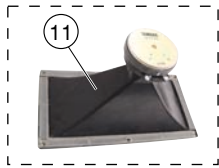
- |  |
|--|
| <ul style="list-style-type: none"> <li>• The numbers "QTY" show quantities for each unit.</li> <li>• The parts with "--" in "PART NO." are not available as spare parts.</li> <li>• This mark "}" in the REMARKS column means these parts are interchangeable.</li> <li>• The second letter of the shaded (■) part number is O, not zero.</li> <li>• The second letter of the shaded (■) part number is I, not one.</li> </ul> |
|--|

**SPEAKER SYSTEM/SUBWOOFER  
A10/A12/A12M/A15/A15W**

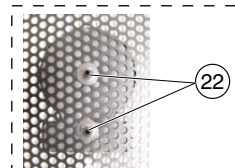
**OVERALL ASSEMBLY: A10**



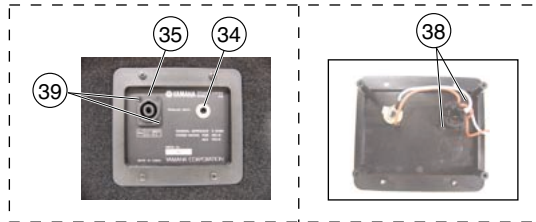
● **Speaker(Tweeter)**



● **Push Nut**



● **Input Panel**

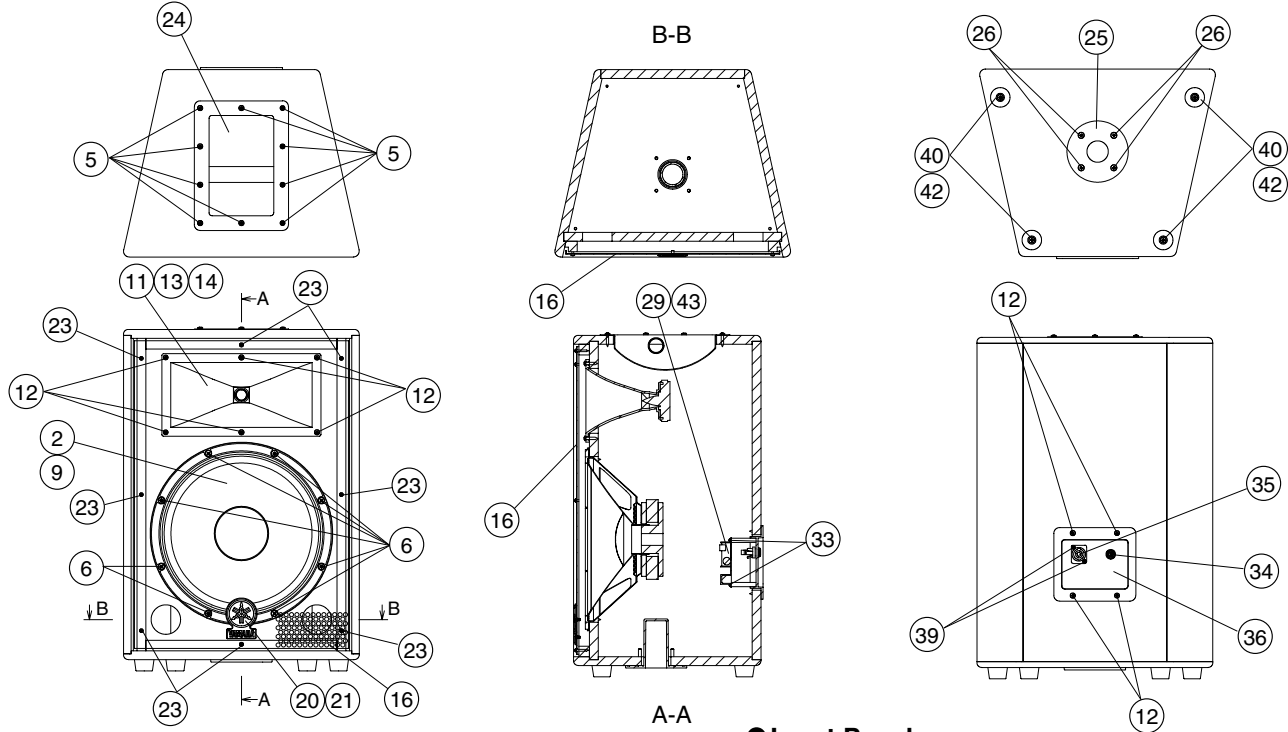


REF NO.	PART NO.	DESCRIPTION		REMARKS	QTY	RANK
*	1	OVERALL ASSEMBLY		A10		
*	5	Speaker	8ohms 125W	10" WOOFER	18	
*	5	+Bind Head Tapping Screw	D4.0/L16 Black	for 10" WOOFER and HANDLE		
*	8	Cushion				
*	11	JAY21400	8ohms 150W	TWEETER		15
*	12	+Bind Head Tapping Screw	D4.0/L25 Black	for TW, TERMINAL	10	
*	13	Cushion	110LX14WX1.0T		2	
*	14	Cushion	265LX14WX1.0T		2	
*	15	Metal Grille				
*	20	AAX59750		BADGE		
*	21	AAX59760		for LOGO		
*	22	V6290000		SPN-4	2	01
*	23	WA764400	D4.0/L16 Black	for METAL GRILLE	8	01
*	24	WA748900				05
*	25	WD887400				
*	26	AAX59770		for TSM	4	
*	28	AAX59790				
*	33	V1064700	D3.0/L20 Black	for NETWORK CROSSOVER	4	
*	34	WA753900				06
*	35	LAY00180		SPEAKON		06
*	36	AAX59840		2 HOLES, ※ without LABEL		
*	38	ES200030		for NEUTRIK	2	01
*	39	V5993400	M3.0/L12 Black	for NEUTRIK	2	01
*	40	AAX59860			4	
*	42	AAX59870	D5.0/L30	for RUBBER FOOT	4	
*	43	VV216100		RXE050		03

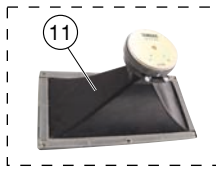
※: New Parts

RANK: Japan only

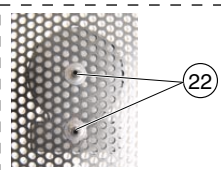
**OVERALL ASSEMBLY: A12**



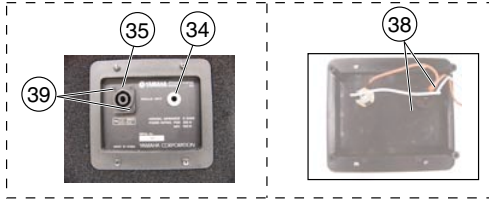
● **Speaker(Tweeter)**



● **Push Nut**



● **Input Panel**



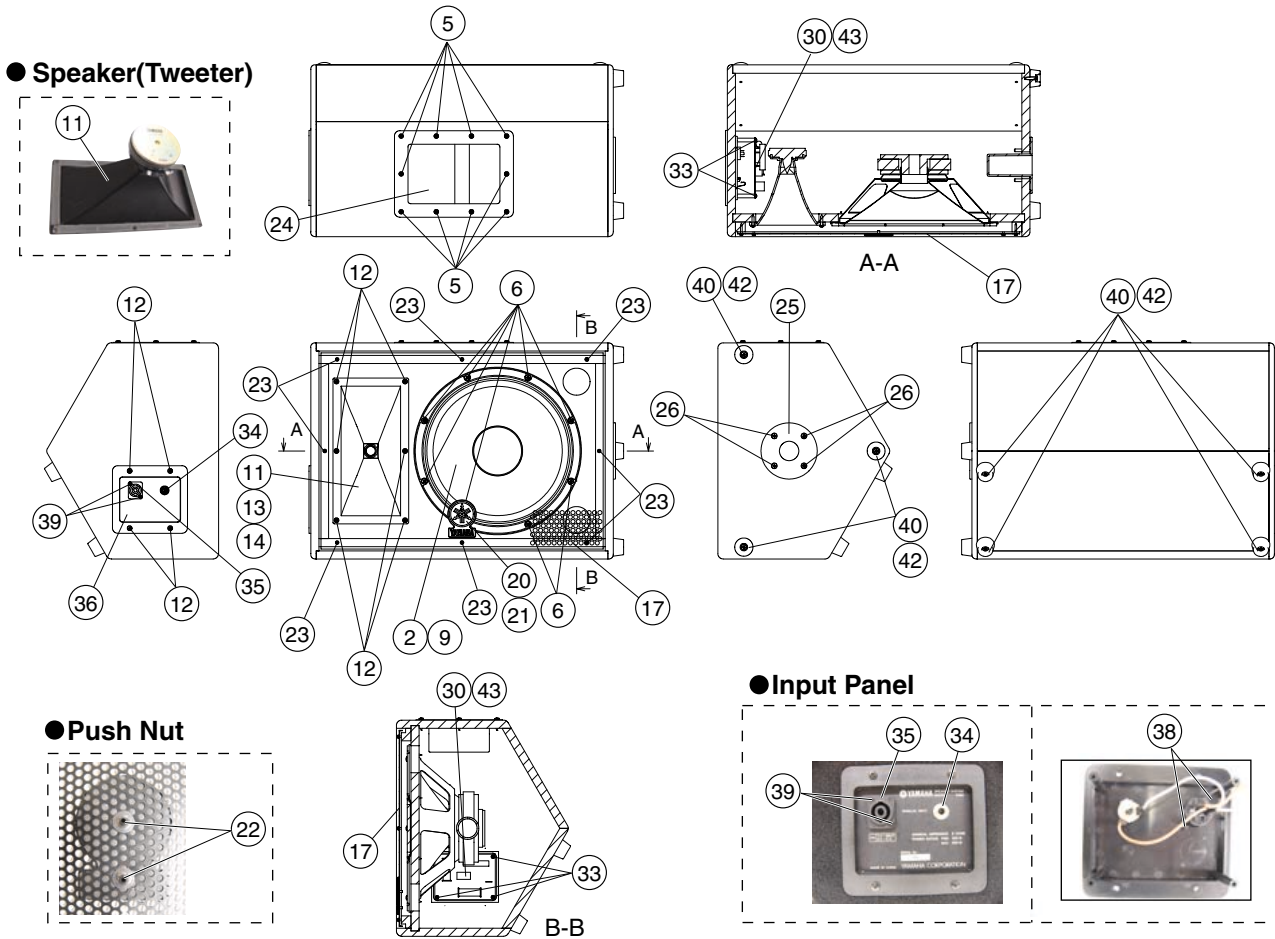
REF NO.	PART NO.	DESCRIPTION		REMARKS	QTY	RANK
		OVERALL ASSEMBLY		A12		
*	2	AAX58860	Speaker	12" WOOFER		
*	5	AAX59650	+Bind Head Tapping Screw	for HANDLE	10	
	6	VB857600	+Bind Head Tapping Screw	for 12" WOOFER	8	01
	9	WA752200	Cushion			
	11	JAY21400	Speaker	TWEETER		15
*	12	AAX59670	+Bind Head Tapping Screw	for TW.TERMINAL	10	
*	13	AAX59680	Cushion		2	
*	14	AAX59690	Cushion		2	
*	16	AAX59710	Metal Grille			
*	20	AAX59750	YAMAHA Logo	BADGE		
*	21	AAX59760	Cushion	for LOGO		
	22	V6290000	Push Nut	SPN-4	2	01
	23	WA764400	+Cup Screw	for METAL GRILLE	8	01
	24	WA748900	Metal Handle			05
	25	WD887400	Tripod Support Mount			
*	26	AAX59770	+Flat Head Tapping Screw	for TSM	4	
*	29	AAX59800	Network			
	33	VI064700	+Bind Head Tapping Screw	for NETWORK CROSSOVER	4	
	34	WA753900	Phone Jack			06
	35	LAY00180	Neutrik NL4MP	SPEAKON		06
*	36	AAX59840	Terminal Plate	2 HOLES, ※without LABEL		
	38	ES200030	Nut	for NEUTRIK	2	01
	39	V5993400	+Flat Head Machine Screw	for NEUTRIK	2	01
*	40	AAX59860	Rubber Foot		4	
*	42	AAX59870	+Bind Head Wood Screw	for RUBBER FOOT	4	
	43	VV216100	Polyswitch	RXE050		03

\*: New Parts

RANK: Japan only

**SPEAKER SYSTEM/SUBWOOFER  
A10/A12/A12M/A15/A15W**

**OVERALL ASSEMBLY: A12M**



REF NO.	PART NO.	DESCRIPTION		REMARKS	QTY	RANK
		OVERALL ASSEMBLY		A12M		
*	2	AA58860	Speaker	12" WOOFER		
*	5	AA59650	+Bind Head Tapping Screw	for HANDLE	10	
	6	VB857600	+Bind Head Tapping Screw	for 12" WOOFER	8	01
	9	WA752200	Cushion			
	11	JAY21400	Speaker	TWEETER		15
*	12	AA59670	+Bind Head Tapping Screw	for TW, TERMINAL	10	
*	13	AA59680	Cushion		2	
*	14	AA59690	Cushion		2	
*	17	AA59720	Metal Grille			
*	20	AA59750	YAMAHA Logo	BADGE		
*	21	AA59760	Cushion	for LOGO		
	22	V6290000	Push Nut	SPN-4	2	01
	23	WA764400	+Cup Screw	for METAL GRILLE	8	01
	24	WA748900	Metal Handle			05
	25	WD887400	Tripod Support Mount			
*	26	AA59770	+Flat Head Tapping Screw	for TSM	4	
*	30	AA59810	Network			
	33	VI064700	+Bind Head Tapping Screw	for NETWORK CROSSOVER	4	
	34	WA753900	Phone Jack			06
	35	LAY00180	Neutrik NL4MP	SPEAKON		06
*	36	AA59840	Terminal Plate	2 HOLES, ✖ without LABEL		
	38	ES200030	Nut	for NEUTRIK	2	01
	39	V5993400	+Flat Head Machine Screw	for NEUTRIK	2	01
*	40	AA59860	Rubber Foot		7	
*	42	AA59870	+Bind Head Wood Screw	for RUBBER FOOT	7	
	43	VV216100	Polyswitch	RXE050		03

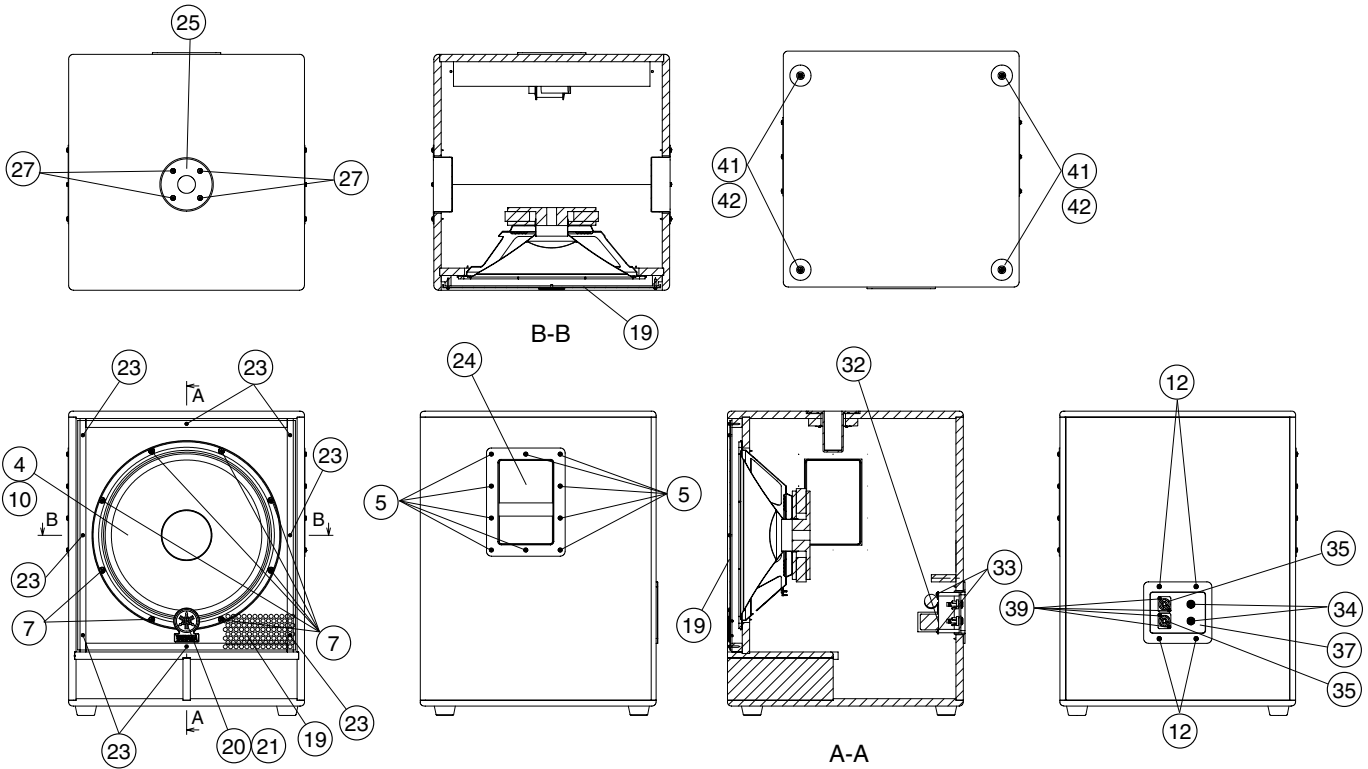
\*: New Parts

RANK: Japan only

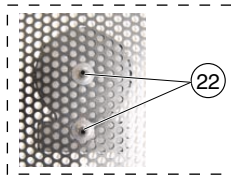


**SPEAKER SYSTEM/SUBWOOFER  
A10/A12/A12M/A15/A15W**

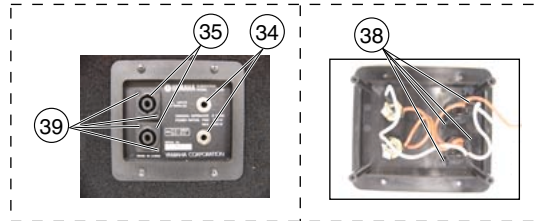
**OVERALL ASSEMBLY: A15W**



**● Push Nut**



**● Input Panel**



REF NO.	PART NO.	DESCRIPTION		REMARKS	QTY	RANK
		OVERALL ASSEMBLY		A15W		
*	4	<b>AAx58880</b> Speaker	8ohms 250W	15" ADC_FLAME, WOOFER		
*	5	<b>AAx59650</b> +Bind Head Tapping Screw	D4.0/L16 Black	for HANDLE	20	
	7	<b>VI014200</b> +Bind Head Tapping Screw	D5.0/L25 Black	for 15" ADC WOOFER	8	01
	10	<b>WA752300</b> Cushion				
*	12	<b>AAx59670</b> +Bind Head Tapping Screw	D4.0/L25 Black	for TERMINAL	4	
*	19	<b>AAx59740</b> Metal Grille				
*	20	<b>AAx59750</b> YAMAHA Logo		BADGE		
*	21	<b>AAx59760</b> Cushion		for LOGO		
	22	<b>V6290000</b> Push Nut		SPN-4	2	01
	23	<b>WA764400</b> +Cup Screw	D4.0/L16 Black	for METAL GRILLE	8	01
	24	<b>WA748900</b> Metal Handle			2	05
	25	<b>WD887400</b> Tripod Support Mount				
*	27	<b>AAx59780</b> +Flat Head Machine Screw	M5.0/L40 Black	for TSM	4	
*	32	<b>AAx59830</b> Network				
*	33	<b>VI064700</b> +Bind Head Tapping Screw	D3.0/L20 Black	for NETWORK CROSSOVER	4	
	34	<b>WA753900</b> Phone Jack			2	06
	35	<b>LAY00180</b> Neutrik NL4MP		SPEAKON	2	06
*	37	<b>AAx59850</b> Terminal Plate		4 HOLES, ※without LABEL		
	38	<b>ES200030</b> Nut		for NEUTRIK	4	01
	39	<b>V5993400</b> +Flat Head Machine Screw	M3.0/L12 Black	for NEUTRIK	4	01
	41	<b>WA748800</b> Rubber Foot			4	03
*	42	<b>AAx59870</b> +Bind Head Wood Screw	D5.0/L30	for RUBBER FOOT	4	

\*: New Parts

RANK: Japan only