

CLUB Series SPEAKER SYSTEM/ SUBWOOFER

SERVICE MANUAL



C112V



C115V



C112VA



C115VA



C215V



CW115V



CM10V



CM12V



CM15V



CW118V



CW218V

Use this manual for products with a serial number of 7 figures.
(本マニュアルは、製造番号が7桁の商品でご使用ください。)
An example of a serial number (製造番号例)
NK01089
7 figures (7桁)

CONTENTS

SPECIFICATIONS & DIMENSIONS	3
NETWORK	4
WIRE HARNESS	10
DISASSEMBLY PROCEDURE	11
• C112V/C115V	11
• C112VA/C115VA	14
• C215V	16
• CM10V	19
• CM12V/CM15V	22
• CW115V/CW118V	25
• CW218V	28
• C112VA/C115VA (分解手順)	30
NEUTRIK NL4FC PLUG WIRING (スピコンNEUTRIK NL4FCプラグの配線)	32
PARTS LIST	

PA 011868

S112VA: 200706 オープンブライス
S115VA: 200706 オープンブライス

YAMAHA

HAMAMATSU, JAPAN

Copyright (c) Yamaha Corporation. All rights reserved. PDF 07.07

IMPORTANT NOTICE

This manual has been provided for the use of authorized Yamaha Retailers and their service personnel. It has been assumed that basic service procedures inherent to the industry, and more specifically Yamaha Products, are already known and understood by the users, and have therefore not been restated.

WARNING : Failure to follow appropriate service and safety procedures when servicing this product may result in personal injury, destruction of expensive components and failure of the product to perform as specified. For these reasons, we advise all Yamaha product owners that all service required should be performed by an authorized Yamaha Retailer or the appointed service representative.

IMPORTANT : This presentation or sale of this manual to any individual or firm does not constitute authorization certification, recognition of any applicable technical capabilities, or establish a principal-agent relationship of any form.

The data provided is believed to be accurate and applicable to the unit(s) indicated on the cover. The research engineering, and service departments of Yamaha are continually striving to improve Yamaha products. Modifications are, therefore, inevitable and changes in specification are subject to change without notice or obligation to retrofit. Should any discrepancy appear to exist, please contact the distributor's Service Division.

WARNING : Static discharges can destroy expensive components. Discharge any static electricity your body may have accumulated by grounding yourself to the ground bus in the unit (heavy gauge black wires connect to this bus.)

IMPORTANT : Turn the unit OFF during disassembly and parts replacement. Recheck all work before you apply power to the unit.

WARNING: CHEMICAL CONTENT NOTICE!

The solder used in the production of this product contains LEAD. In addition, other electrical/electronic and/or plastic (Where applicable) components may also contain traces of chemicals found by the California Health and Welfare Agency (and possibly other entities) to cause cancer and/or birth defects or other reproductive harm.

DO NOT PLACE SOLDER, ELECTRICAL/ELECTRONIC OR PLASTIC COMPONENTS IN YOUR MOUTH FOR ANY REASON WHAT SO EVER!

Avoid prolonged, unprotected contact between solder and your skin! When soldering, do not inhale solder fumes or expose eyes to solder/flux vapor!

If you come in contact with solder or components located inside the enclosure of this product, wash your hands before handling food.


Poly Switch

All full-range loudspeakers are fitted with a self-resetting poly switch that protects the high-frequency driver from damage caused by excessive power.

If a loudspeaker cabinet loses high-frequency output, immediately remove power from the unit and wait for two to three minutes. They should allow the poly switch to reset. Re-apply power and check the performance of the high-frequency driver before continuing with the power reduced to a level that does not cause the poly switch to interrupt the signal.

On the CW115V/CW118V/CW218V sub woofer, the Poly Switch protects the woofer and a similar routine should be followed if its output is lost.

WARNING

Components having special characteristics are marked  and must be replaced with parts having specification equal to those originally installed.

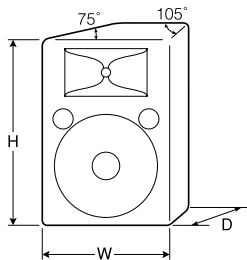


印の部品は、安全を維持するために重要な部品です。交換する場合は、安全のために必ず指定の部品をご使用ください。

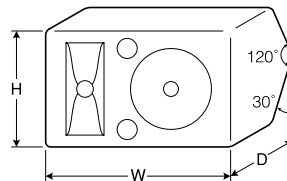
SPECIFICATIONS & DIMENSIONS

Model	CM10V	C112V	C112VA	CM12V	C115V	C115VA	CM15V	C215V
Enclosure	Bass Reflex Type							
Speaker Unit	LF	10" cone	12" cone		15" cone			15" cone × 2
	HF	1" V.C.driver	2" V.C.driver					
Frequency Response	70Hz-20kHz	60Hz-16kHz			55Hz-16kHz			42Hz-16kHz
Power Capacity	NOISE*	125W	175W		250W			500W
	PGM	250W	350W		500W			1000W
	MAX	500W	700W		1000W			2000W
Nominal Impedance	8Ω							4Ω
Sensitivity	96dB SPL (1W, 1m)	97dB SPL (1W, 1m)			99dB SPL (1W, 1m)			99dB SPL (1W, 1m)
Nominal Dispersion	Horizontal	40°	90°	90°	40°	90°	90°	40°
	Vertical	60°	40°	40°	90°	40°	40°	90°
Crossover Frequency	1.8kHz	2kHz			1.7kHz			1.5kHz
Input Connectors	1/4" Phone Jack × 2, Neutrik Speakon NL4MP × 2		Barrier Strip Terminal	1/4" Phone Jack × 2, Neutrik Speakon NL4MP × 2		Barrier Strip Terminal	1/4" Phone Jack × 2, Neutrik Speakon NL4MP × 2	
Dimensions (W × H × D)	556 × 349 × 273mm	416 × 628 × 329mm	416 × 620 × 329mm	628 × 410 × 339mm	485 × 715 × 373mm	485 × 707 × 373mm	715 × 479 × 339mm	491 × 1163 × 593mm
Weight	13.3Kg	21.3Kg	21.8Kg	21.8Kg	30.3Kg	29.9Kg	28.8Kg	47.5Kg
Included Accessories	—	—	Eyebolt (3/8") 4	—	—	Eyebolt (3/8") 4	—	—

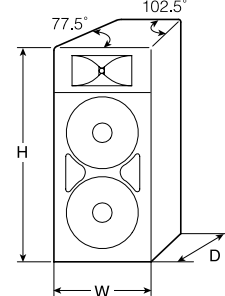
C112V/C112VA/C115V/C115VA



CM10V/CM12V/CM15V



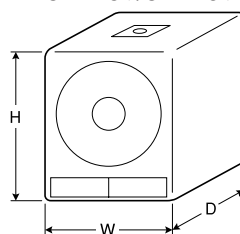
C215V



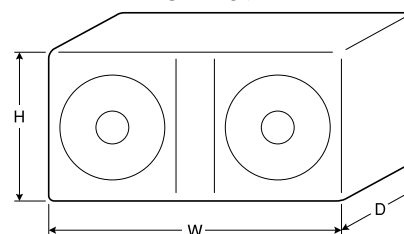
Model	CW115V	CW118V	CW218V	
Enclosure	Bass Reflex Type			
Speaker Unit	15" cone	18" cone	18" cone × 2	
Frequency Response	35Hz-2kHz	30Hz-2kHz		
Power Capacity	NOISE*	250W	300W	600W
	PGM	500W	600W	1200W
	MAX	1000W	1200W	2400W
Nominal Impedance	8Ω		4Ω	
Sensitivity	95dB SPL (1W, 1m)	96dB SPL (1W, 1m)	98dB SPL (1W, 1m)	
Recommended Crossover Frequency	90Hz, 12dB/oct.			
Input Connectors	1/4" Phone Jack × 2, Neutrik Speakon NL4MP × 2			
Dimensions (W × H × D)	500 × 607 × 528mm	605 × 720 × 637mm	1217 × 574 × 655mm	
Weight	28Kg	37.2Kg	64.7Kg	

*: EIA RS-426

CW115V/CW118V



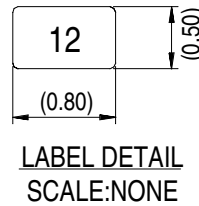
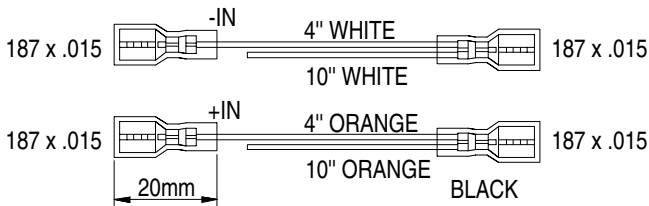
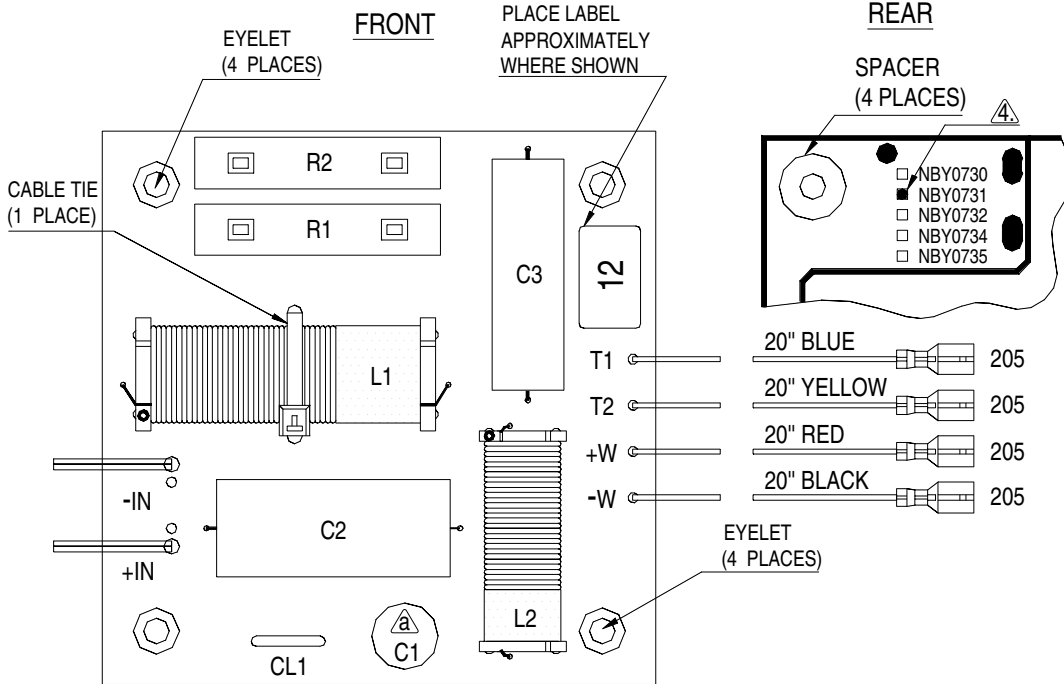
CW218V



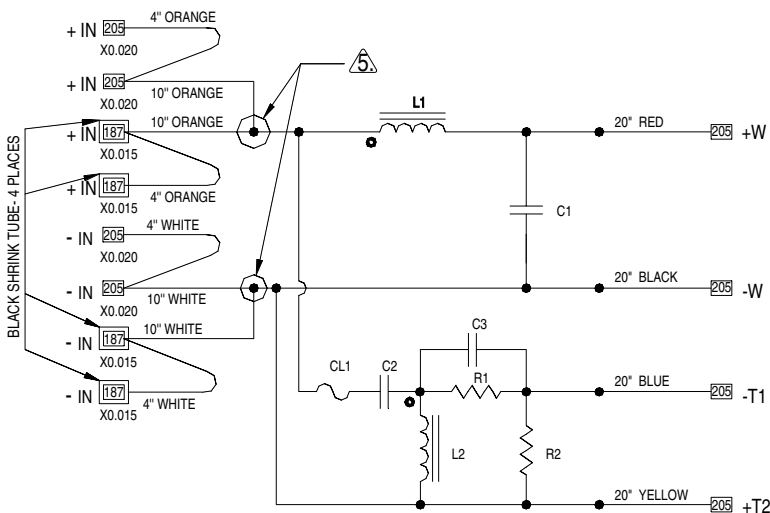
Unit: mm

NETWORK

• C112V/CM12V (WJ367900)

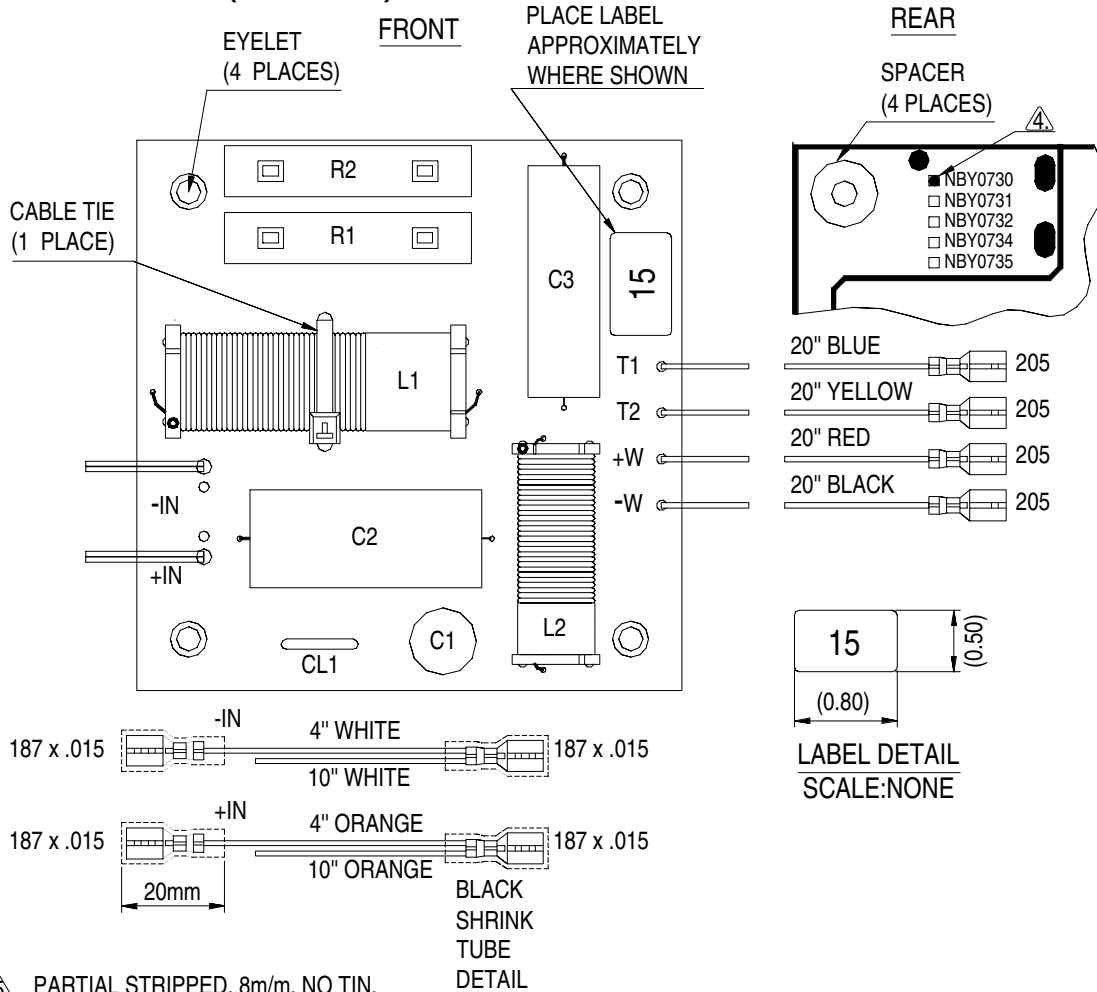


- ⚠ PARTIAL STRIPPED, 8m/m, NO TIN.
- ⚠ INDICATE MODEL BY A BLACK DOT.
- 3. APPLY RTV SEALANT UNDER C2,C3,L1,L2 AND HALF CIRCUMFERENCE AROUND C1.
- 2. "O" DENOTES START LEAD OF INDUCTOR.
- 1. ALL COMPONENTS TO BE TESTED AT 1 KHZ UNLESS OTHERWISE SPECIFIED.

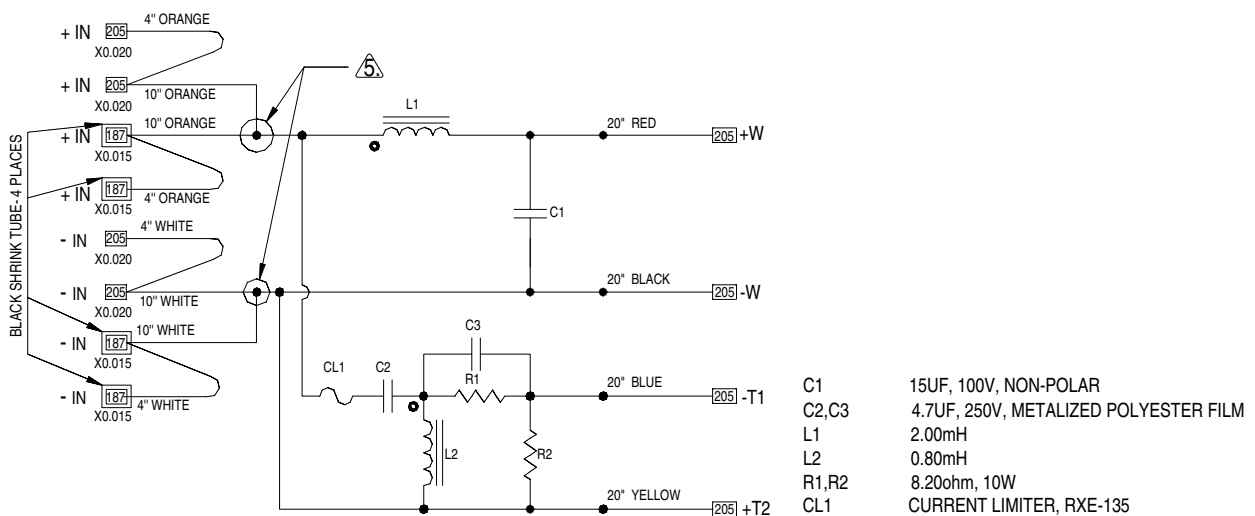


- C1 15UF, 100V, NON-POLAR
- C2,C3 4.7UF, 250V, METALIZED POLYESTER FILM
- L1 1.30mH, 57x9.5x10mm, LAMINATED STEEL I CORE
- L2 0.80mH, 41x6x7mm, LAMINATED STEEL I CORE
- R1,R2 5.00ohm, 10W
- CL1 CURRENT LIMITER, RXE-135

• **C115 V/CM15 V (WJ367800)**

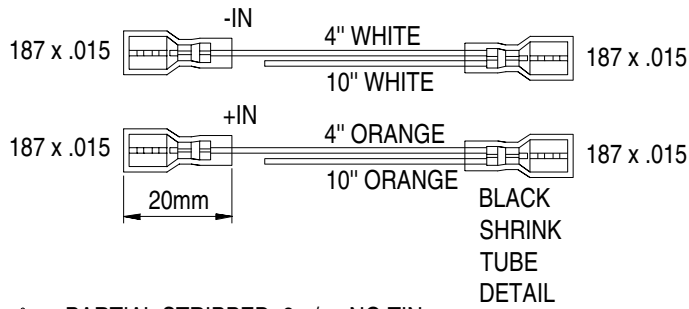
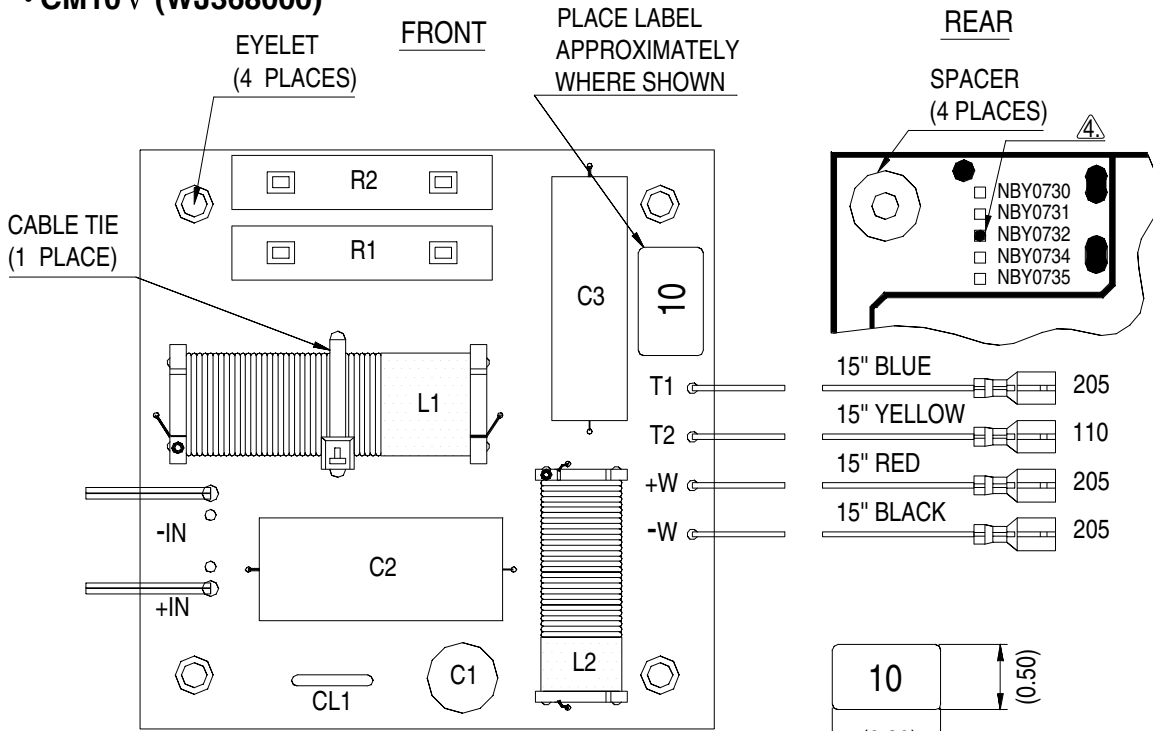


- ⚠ PARTIAL STRIPPED, 8m/m, NO TIN.
- ⚠ INDICATE MODEL BY A BLACK DOT.
3. APPLY RTV SEALANT UNDER C2,C3,L1,L2 AND HALF CIRCUMFERENCE AROUND C1.
 2. "O" DENOTES START LEAD OF INDUCTOR.
 1. ALL COMPONENTS TO BE TESTED AT 1 KHZ UNLESS OTHERWISE SPECIFIED.
- NOTES:

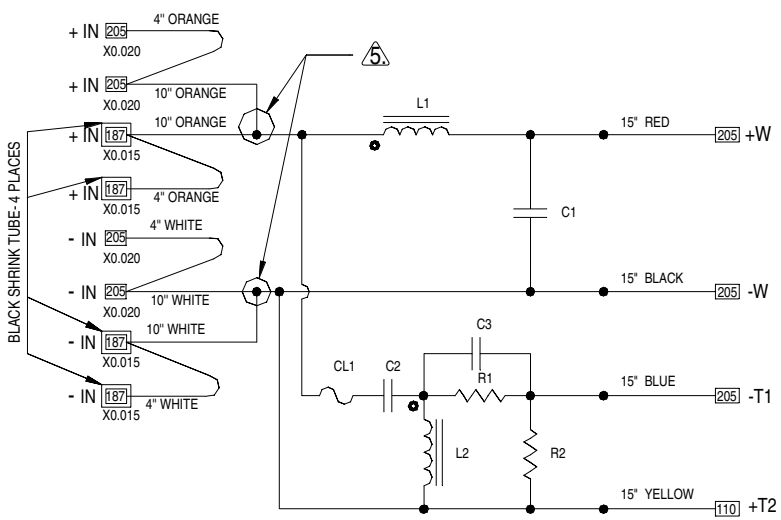


**CLUB Series
SPEAKER SYSTEM/
SUBWOOFER**

• CM10 V (WJ368000)

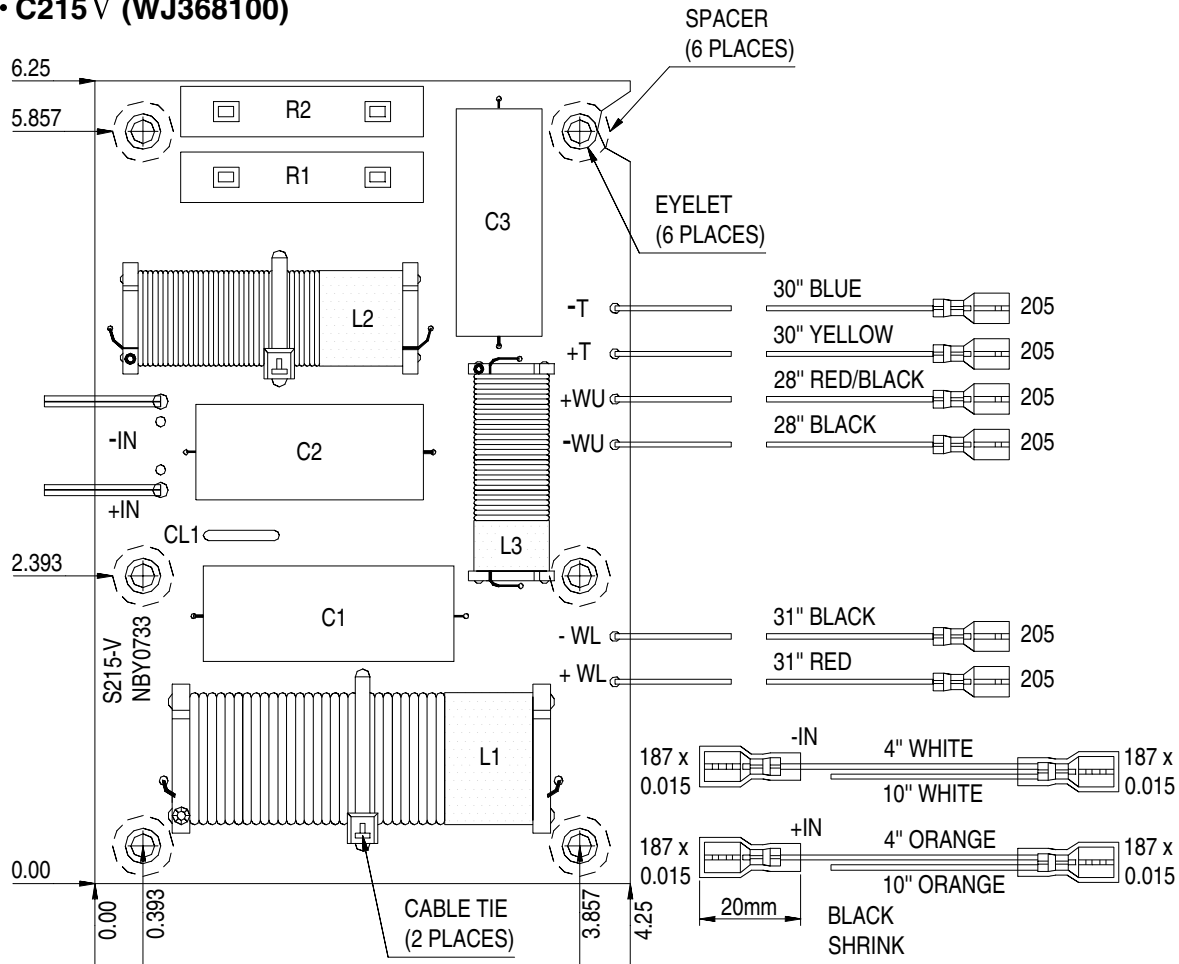


- ⚠ PARTIAL STRIPPED, 8m/m, NO TIN.
 - ⚠ MARK PC BOARD WITH A BLACK DOT TO INDICATE MODEL.
 - 3. APPLY RTV SEALANT UNDER C2,C3,L1,L2 AND HALF CIRCUMFERENCE AROUND C1.
 - 2. "O" DENOTES START LEAD OF INDUCTOR.
 - 1. ALL COMPONENTS TO BE TESTED AT 1 KHZ UNLESS OTHERWISE SPECIFIED.
- NOTES:



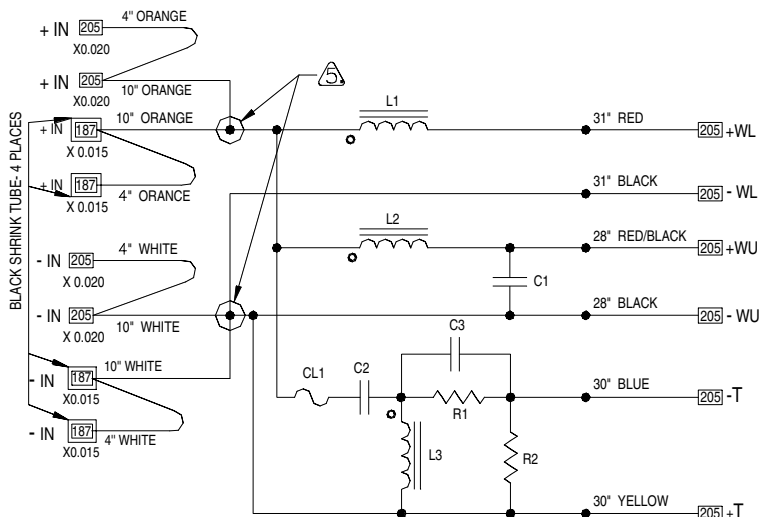
- C1 15UF, 100V, NON-POLAR
- C2 8UF, 250V, METALIZED POLYESTER FILM
- C3 4.7UF, 250V, METALIZED POLYESTER FILM
- L1 1.80mH, 57x9.5x10mm, LAMINATED STEEL I CORE
- L2 0.70mH, 41x6x7mm, LAMINATED STEEL I CORE
- R1 6.80ohm, 10W
- R2 3.90ohm, 10W
- CL1 CURRENT LIMITER, RXE-135

• **C215 V (WJ368100)**



1. APPLY RTV SEALANT UNDER C1,C2,C3,L1,L2, AND L3.
2. C1 & C3 STAND UP ON ONE SIDE. C2 LAYS DOWN FLAT.
3. "O" DENOTES START LEAD OF INDUCTOR.
4. ALL COMPONENTS TO BE TESTED AT 1 KHZ UNLESS OTHERWISE SPECIFIED.
5. PARTIAL STRIPPED, 8m/m, NO TIN.

NOTES:

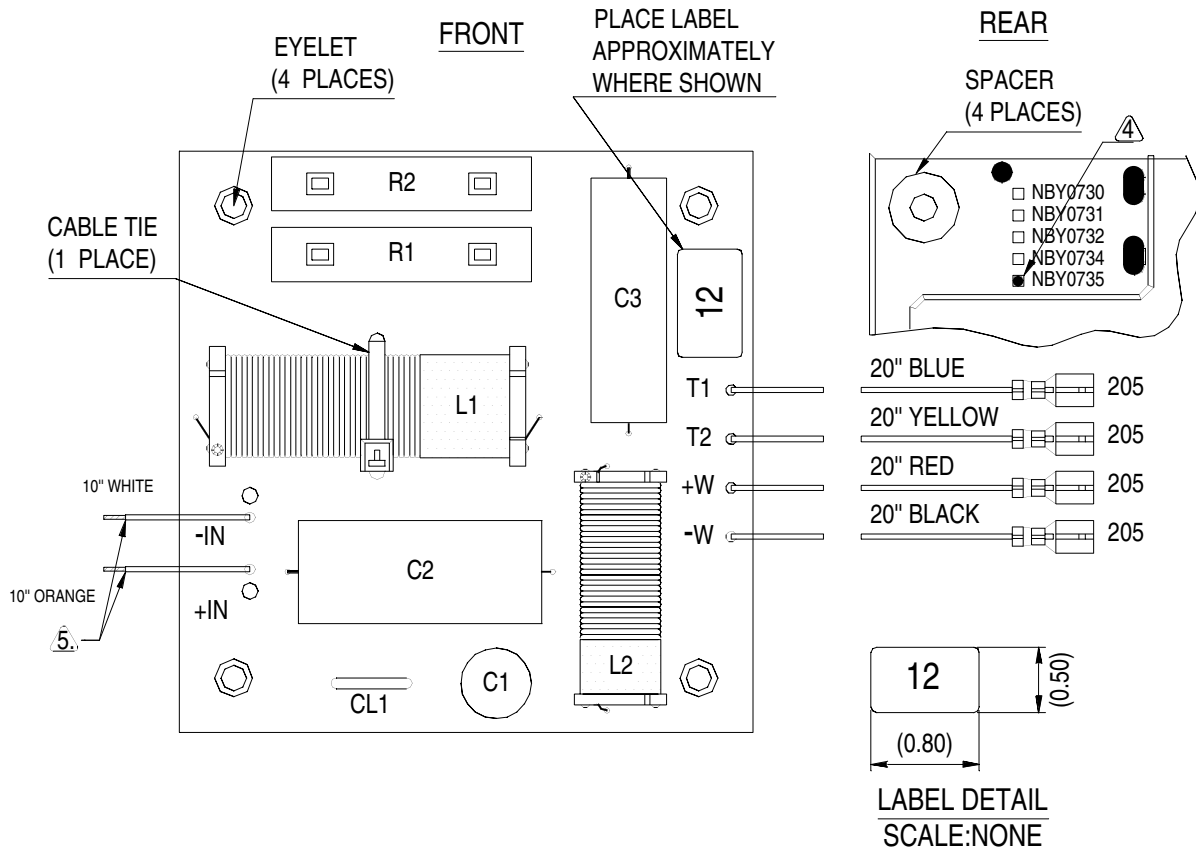


PARTS LIST

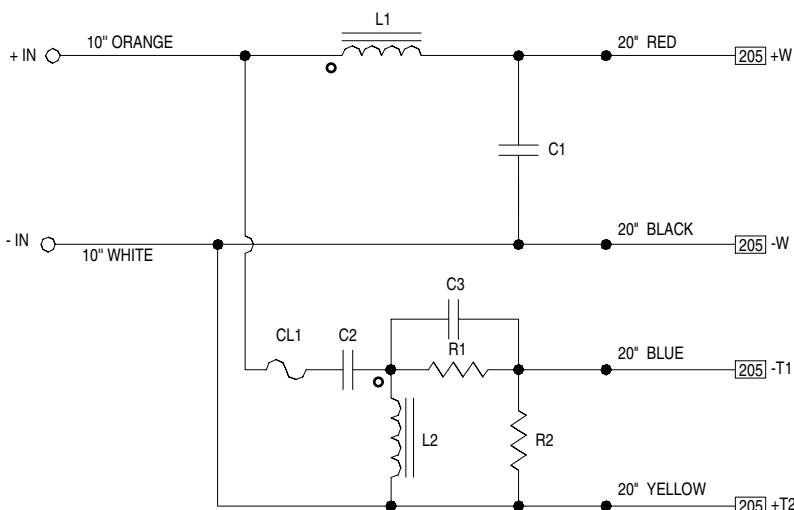
C1	15uF, 250V, METALIZED POLYESTER FILM
C2	3.9uF, 250V, METALIZED POLYESTER FILM
C3	10 uF, 250V, METALIZED POLYESTER FILM
L1	5.00mH, 76x13x13mm, LAMINATED STEEL I CORE
L2	2.00mH, 57x9.5x10mm, LAMINATED STEEL I CORE
L3	0.80mH, 41x6x7mm, LAMINATED STEEL I CORE
R1	3.90ohm, 10W
R2	10.0ohm, 10W
CL1	CURRENT LIMITER, RXE-135

**CLUB Series
SPEAKER SYSTEM/
SUBWOOFER**

• C112 VA (WJ368200)

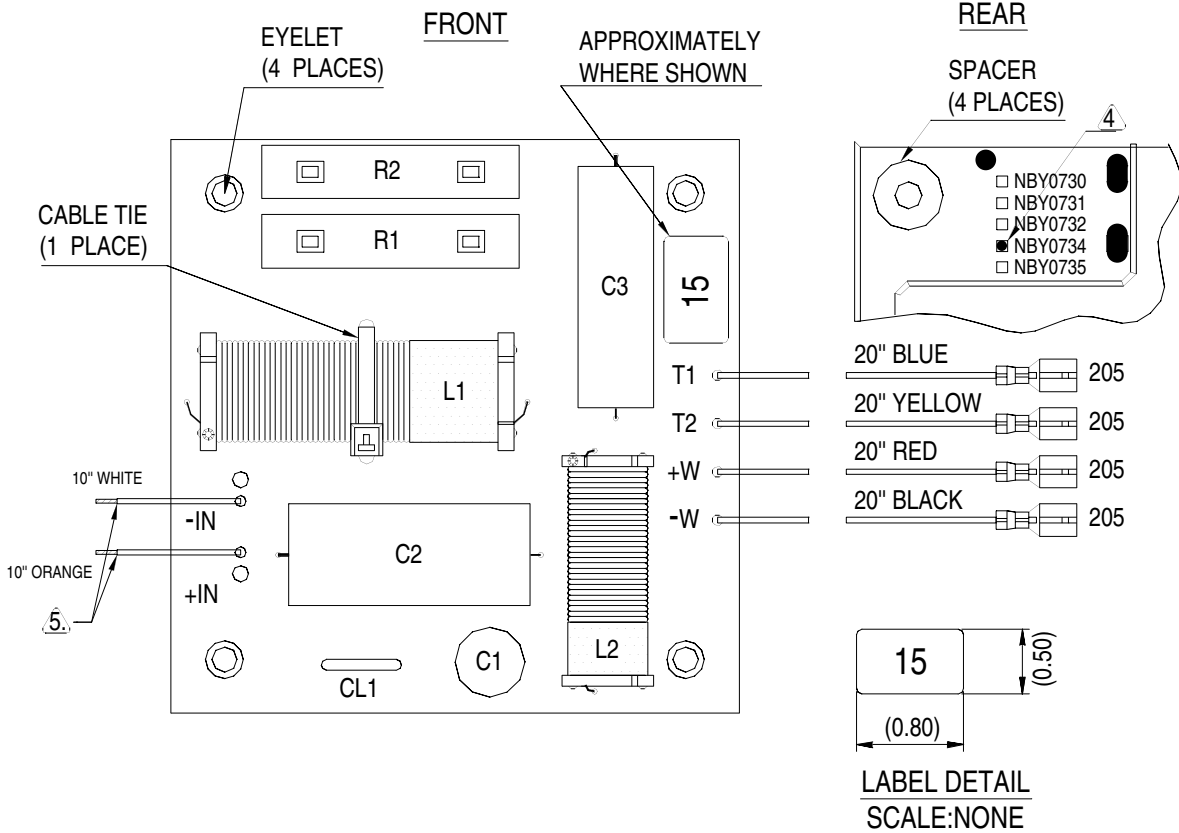


5. TINNED 10m/m
 4. MARK PC BOARD WITH A BLACK DOT TO INDICATE MODEL.
 3. APPLY RTV SEALANT UNDER C2,C3,L1,L2 AND HALF CIRCUMFERENCE AROUND C1.
 2. "O" DENOTES START LEAD OF INDUCTOR.
 1. ALL COMPONENTS TO BE TESTED AT 1 KHZ UNLESS OTHERWISE SPECIFIED.
- NOTES:

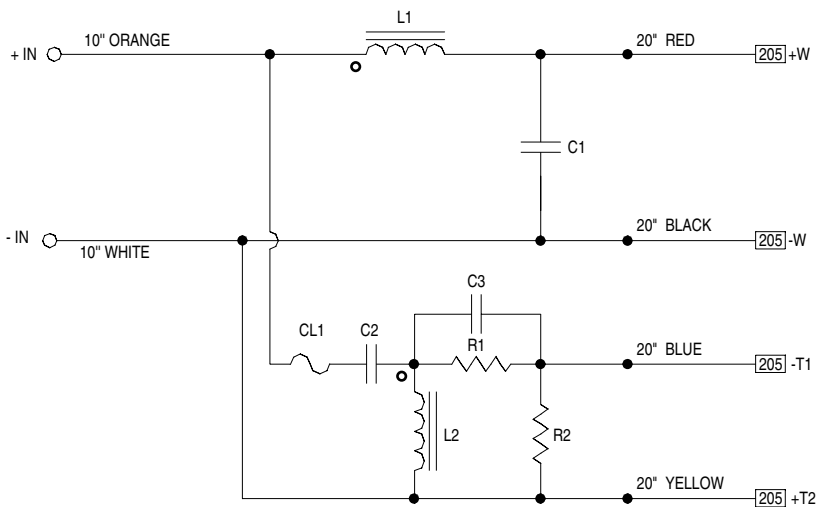


- C1 15UF, 100V, NON-POLAR
 C2,C3 4.7UF, 250V, METALIZED POLYESTER FILM
 L1 1.30mH, 57x9.5x10mm, LAMINATED STEEL I CORE
 L2 0.80mH, 41x6x7mm, LAMINATED STEEL I CORE
 R1,R2 5.00ohm, 10W
 CL1 CURRENT LIMITER, RXE-135

• **C115 VA (WJ368300)**



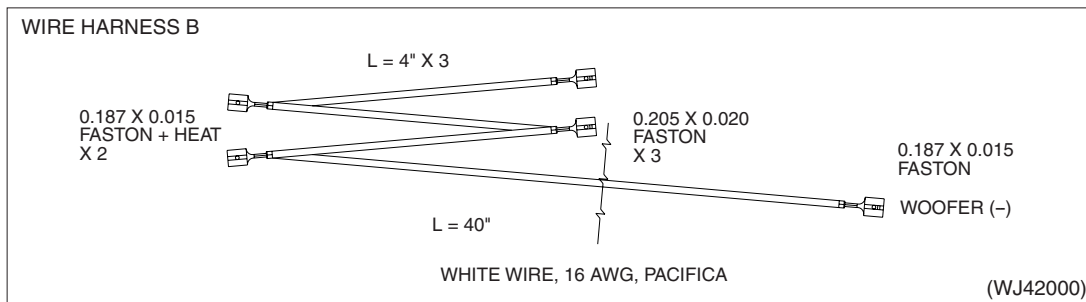
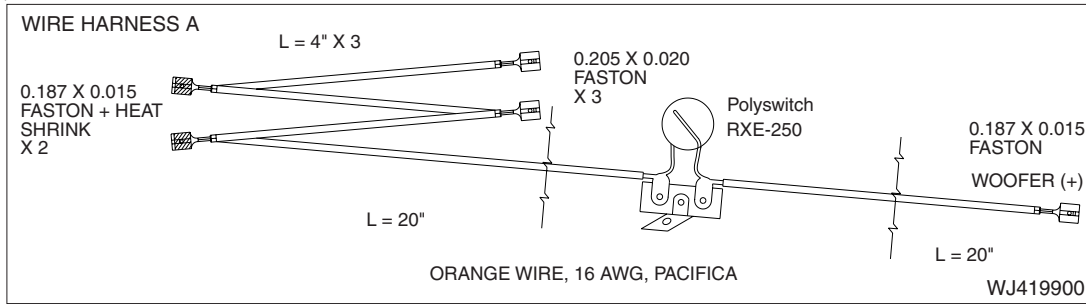
5. TINNED 10m/m
 4. MARK PC BOARD WITH A BLACK DOT TO INDICATE MODEL.
 3. APPLY RTV SEALANT UNDER C2,C3,L1,L2 AND HALF CIRCUMFERENCE AROUND C1.
 2. "O" DENOTES START LEAD OF INDUCTOR.
 1. ALL COMPONENTS TO BE TESTED AT 1 KHZ UNLESS OTHERWISE SPECIFIED.
- NOTES:



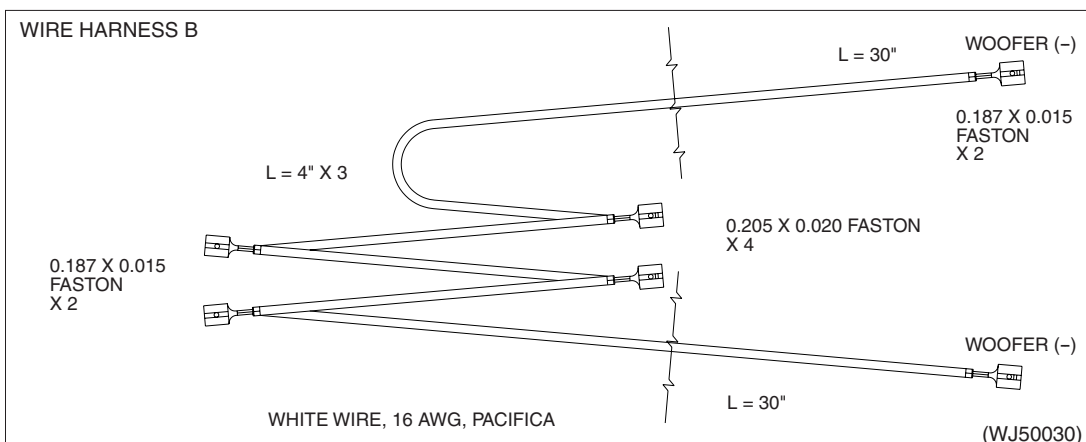
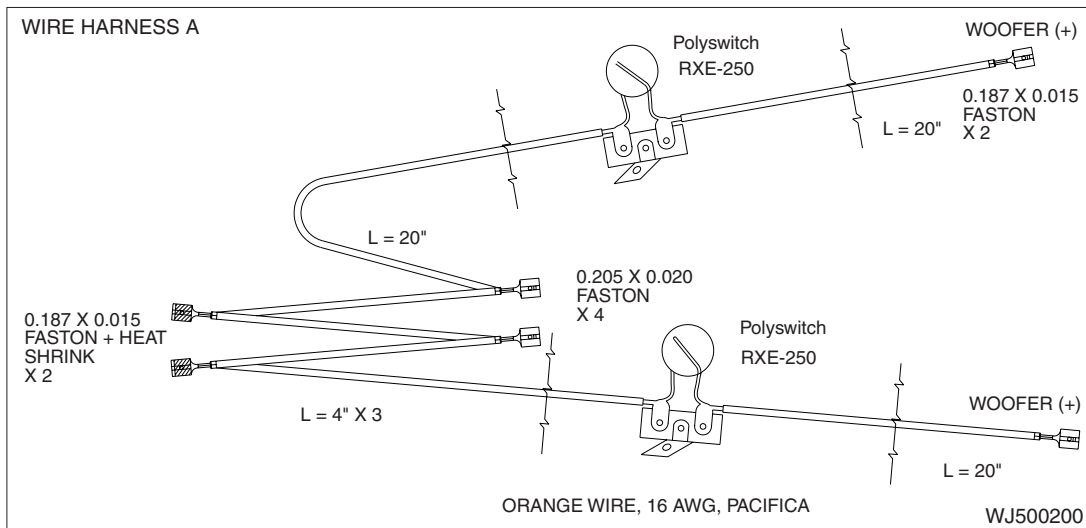
- C1 15UF, 100V, NON-POLAR
 C2,C3 4.7UF, 250V, METALIZED POLYESTER FILM
 L1 2.00mH, 57x9.5x10mm, LAMINATED STEEL I CORE
 L2 0.80mH, 41x6x7mm, LAMINATED STEEL I CORE
 R1,R2 8.20ohm, 10W
 CL1 CURRENT LIMITER, RXE-135

WIRE HARNESS

• **CW115V, CW118V**



• **CW218V**



■ DISASSEMBLY PROCEDURE

● C112V/C115V

1. Metal Handle (Time required: About 1 minute)

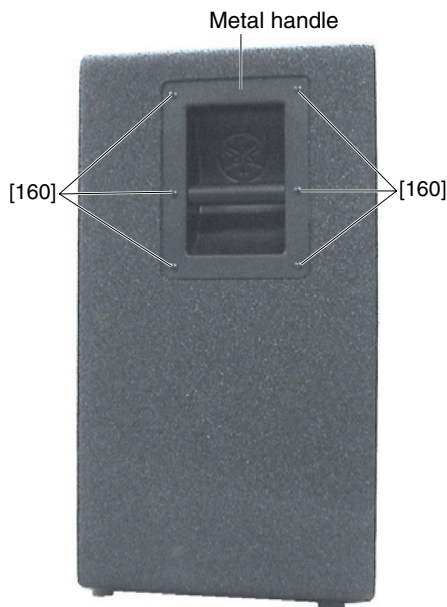
1-1 Remove the six (6) screws marked [160]. The metal handle can then be removed. (Photo 1)

2. Pole Socket (Time required: About 1 minutes)

2-1 Remove the three (3) screws marked [130A]. The Pole Socket can then be removed. (Photo 2)

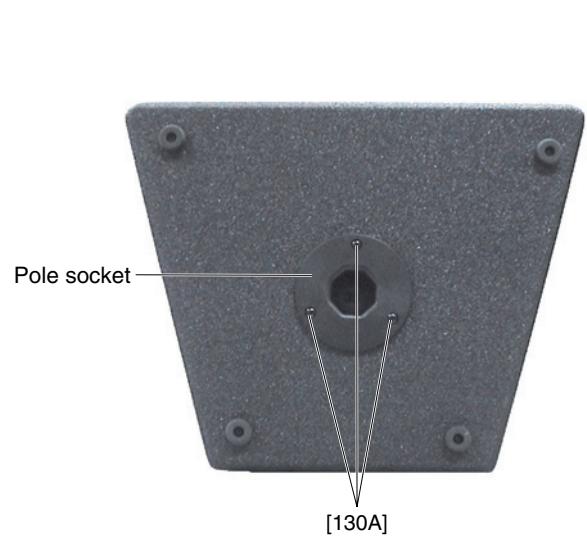
3. Rubber Foot (Time required: About 1 minutes)

3-1 Remove the screw marked [10d]. The rubber foot can then be removed. (Photo 3)



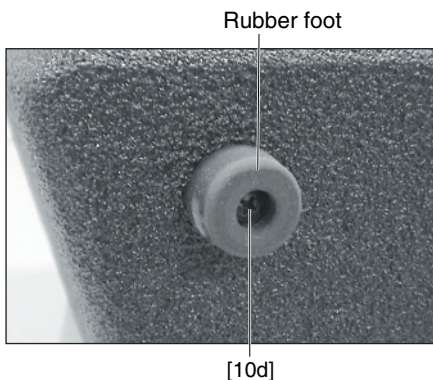
[160]: TH SMS Screw #8 x 3/4 BLACK (WJ911600)

Photo 1



[130]: Pan Head PB Screw #10 x 1 BLK (WJ911300)

Photo 2



[10d]: Pan Head PB Screw #10 x 1 BLK (WJ911300)

Photo 3

4. Woofer (Time required: About 3 minutes)

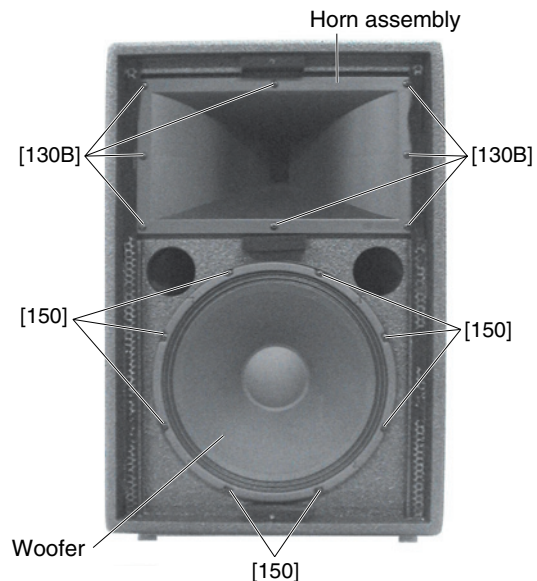
4-1 Remove the eight (8) screws marked [140A]. The Metal grille assembly can then be removed. (Photo 4)



[140]: TH Sheet Metal Screw #6 x 5/8 BLK (WJ493800)

Photo 4

4-2 Remove the eight (8) screws marked [150]. The woofer can then be removed. (Photo 5)



[130]: Pan Head PB Screw #10 x 1 BLK (WJ911300)

C112V

[150]: Pan Head PB Screw PHPBS #8 x 1 BLK (WJ911500)

C115V

[150]: Pan HD Machine Screw #10-32 x 1 BLK (WJ494200)

Photo 5

5. Horn Assembly

(Time required: About 3 minutes)

5-1 Remove the Metal grille assembly. (See procedure 4-1)

5-2 Remove the eight (8) screws marked [130B]. The horn assembly can then be removed. (Photo 5)

5-3 Horn

5-3-1 Remove the two (2) hex head mach screw marked [50c]. The horn can then be removed from the horn assembly. (Photo 7)

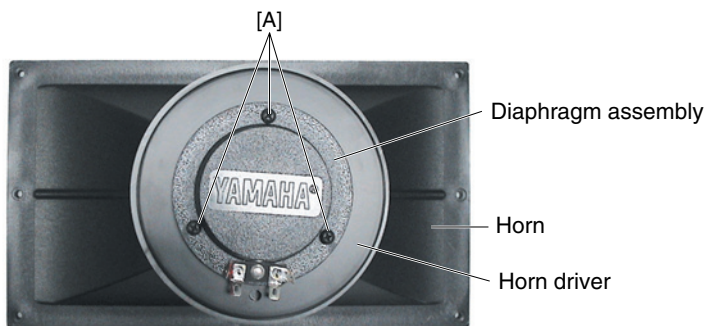
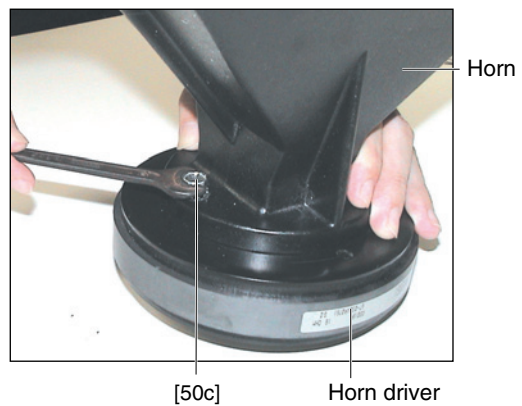


Photo 6

5-4 Diaphragm Assembly

5-4-1 Remove the three (3) screws marked [A]. The diaphragm assembly can then be removed from the horn driver. (Photo 6, 8)



[50c]: Hex Head Mach Screw 1/4 x 5/8 inch (WJ356300)

Photo 7

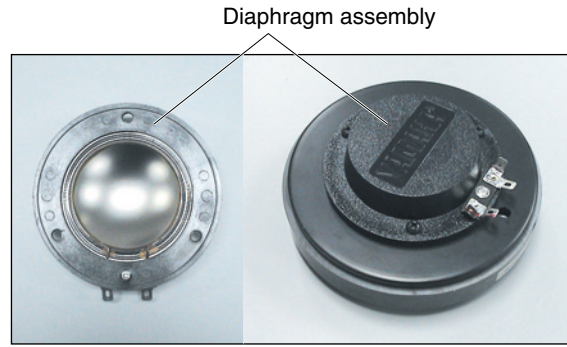
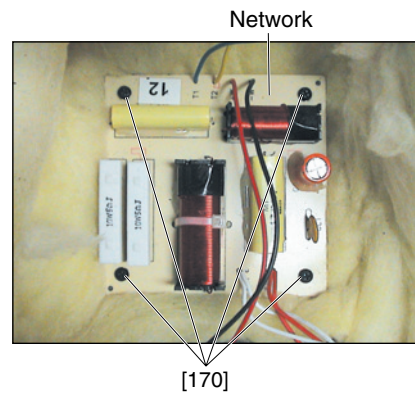


Photo 8

6. Network (Time required: About 4 minutes)

- 6-1 Remove the woofer. (See procedure 4)
- 6-2 Remove the four (4) screws marked [170]. The network can then be removed. (Photo 9)



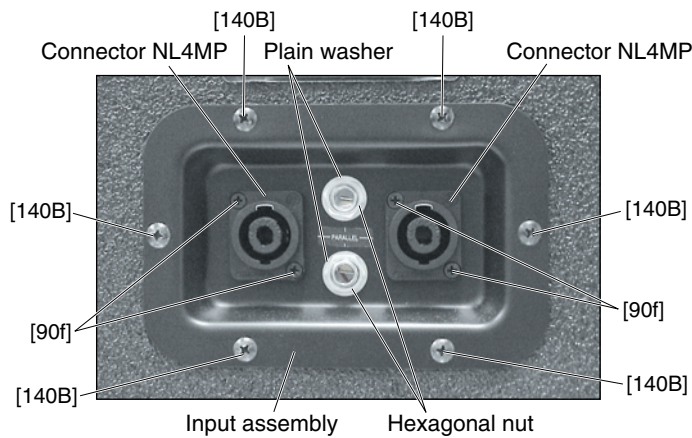
[170]: Pan Head SM Screw PHSMS #6 x 3/4 BLK (WJ911700)

Photo 9

7. Input Assembly (Time required: About 2 minutes)

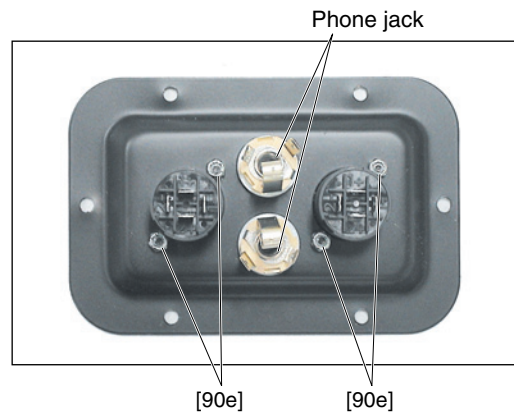
- 7-1 Remove the six (6) screws marked [140B]. The input assembly can then be removed. (Photo 10)
- 7-2 Remove the two (2) screws marked [90f] and the two (2) hexagonal nuts marked [90e]. The connector NL4MP can then be removed. (Photo 10, 11)

- 7-3 Remove the hexagonal nut. The plain washer and phone jack can then be removed. (Photo 10, 11)



[90f]: FH Machining Screw #4-40 x 3/8 ZN BL (WJ372100)
[140]: TH Sheet Metal Screw #6 x 5/8 BLK (WJ493800)

Photo 10



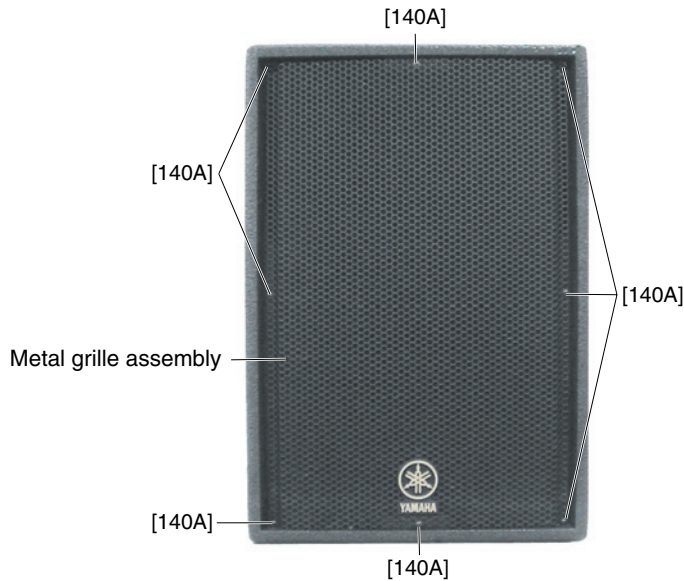
[90e]: Hexagonal Nut #4-40 NYLOK NUT (WJ372000)

Photo 11

● **C112VA/C115VA**

1. Woofer (Time required: About 3 minutes)

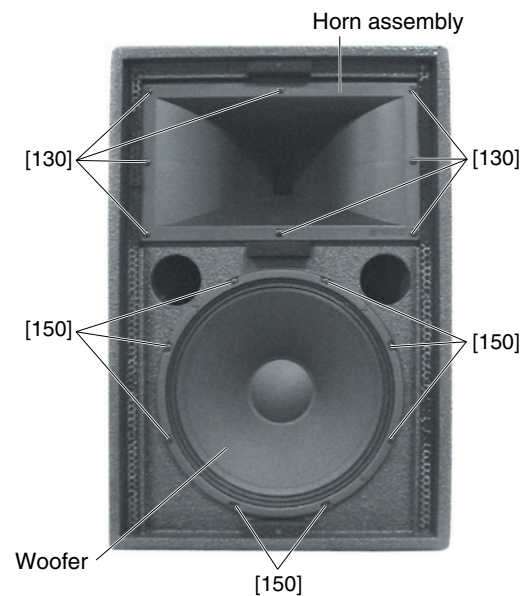
1-1 Remove the eight (8) screws marked [140A]. The metal grille assembly can then be removed. (Photo 1)



[140]: TH Sheet Metal Screw #6 x 5/8 BLK (WJ493800)

Photo 1

1-2 Remove the eight (8) screws marked [150]. The woofer can then be removed. (Photo 2)



[130]: Pan Head PB Screw #10 x 1 BLK (WJ911300)

C112VA

[150]: Pan Head PB Screw PHPBS #8 x 1 BLK (WJ911500)

C115VA

[150]: Pan HD Machine Screw #10-32 x 1 BLK (WJ494200)

Photo 2

2. Horn Assembly

(Time required: About 3 minutes)

2-1 Remove the metal grille assembly. (See procedure 1-1)

2-2 Remove the eight (8) screws marked [130]. The horn assembly can then be removed. (Photo 2)

2-3 Horn

2-3-1 Remove the two (2) hex head mach screw marked [50c]. The horn can then be removed from the horn assembly. (Photo 4)

2-4 Diaphragm Assembly

2-4-1 Remove the three (3) screws marked [A]. The diaphragm assembly can then be removed from the horn driver. (Photo 3, 5)

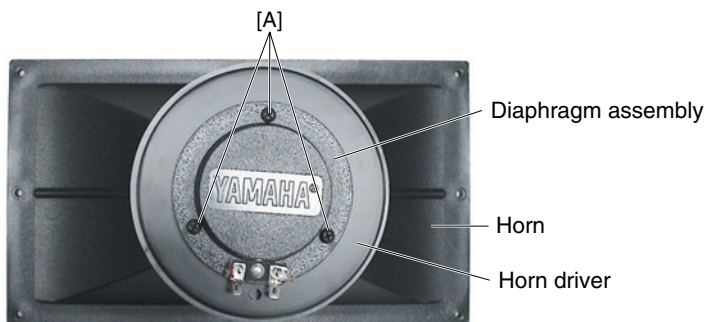
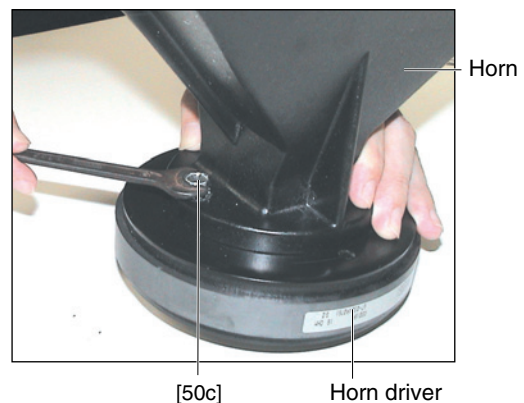


Photo 3



[50c]: Hex Head Mach Screw 1/4 x 5/8 inch (WJ356300)

Photo 4

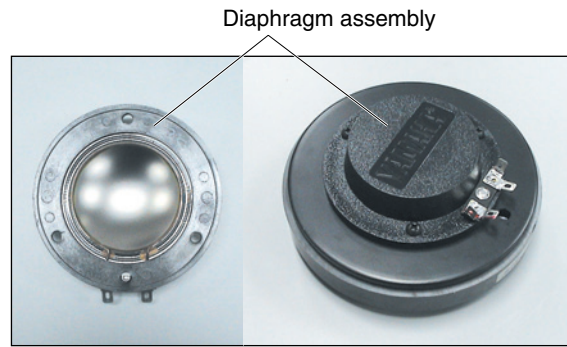
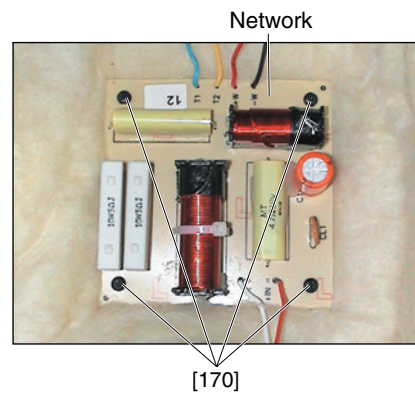


Photo 5

3. Network (Time required: About 4 minutes)

- 3-1 Remove the woofer. (See procedure 1)
- 3-2 Remove the four (4) screws marked [170]. The network can then be removed. (Photo 6)

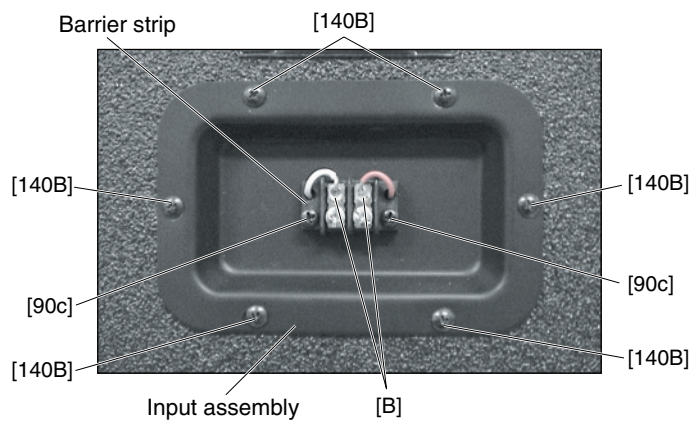


[170]: Pan Head SM Screw PHSMS #6 x 3/4 BLK (WJ911700)

Photo 6

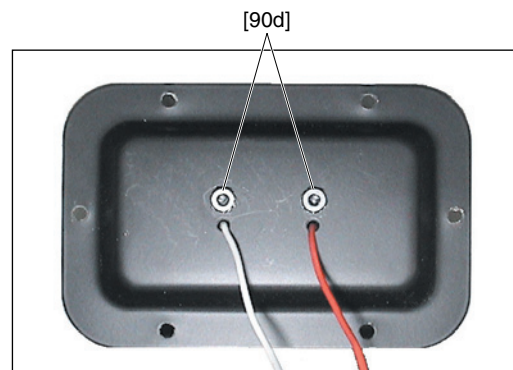
4. Input Assembly (Time required: About 2 minutes)

- 4-1 Remove the six (6) screws marked [140B]. The input assembly can then be removed. (Photo 7)
- 4-2 Remove the two (2) screws marked [90c], the two (2) keps nuts marked [90d] and the solder marked [B]. The barrier strip can then be removed. (Photo 7, 8)



[90c]: Pan HD Machine Screw PHMS #6-32 x 1/2 ZN BLK (WJ971600)
[140]: TH Sheet Metal Screw #6 x 5/8 BLK (WJ493800)

Photo 7



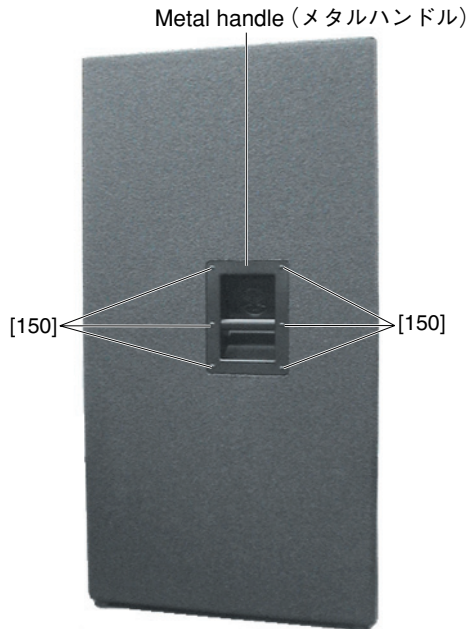
[90d]: Keps Nut #6-32 (WJ542400)

Photo 8

● **C215V**

1. Metal Handle (Time required: About 1 minute)

1-1 Remove the six (6) screws marked [150]. The metal handle can then be removed. (Photo 1)

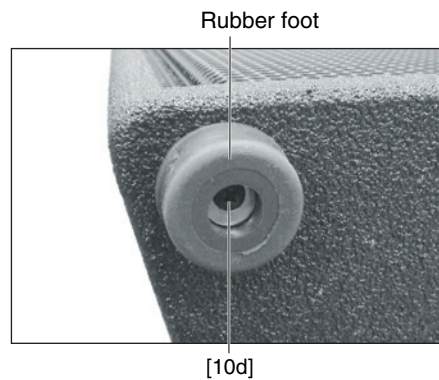


[150]: TH SMS Screw #8 x 3/4 BLACK (WJ911600)

Photo 1

2. Rubber Foot (Time required: About 1 minutes)

2-1 Remove the screw marked [10d]. The rubber foot can then be removed. (Photo 2)



[10d]: Pan Head PB Screw #10 x 1 BLK (WJ911300)

Photo 2

3. Woofer (Time required: About 5 minutes)

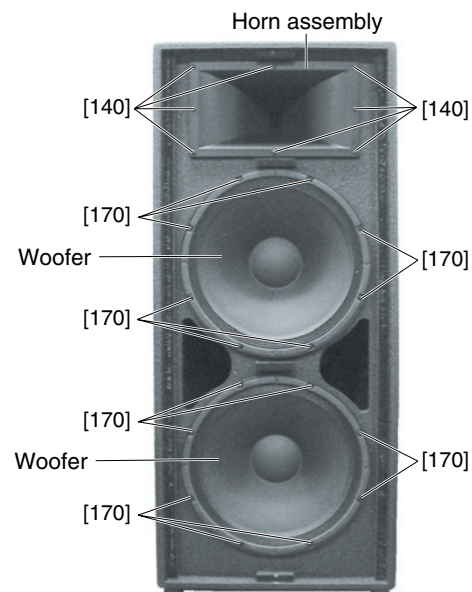
3-1 Remove the twelve (12) screws marked [130A]. The metal grille assembly can then be removed. (Photo 3)



[130]: TH Sheet Metal Screw #6 x 5/8 BLK (WJ493800)

Photo 3

3-2 Remove the eight (8) screws marked [170]. The woofer can then be removed. (Photo 4)



[140]: Pan HD Machine Screw #10-32 x 1 BLK (WJ494200)

[170]: Pan HD Machine Screw #10-32 x 1-1/2 (WJ624200)

Photo 4

4. Horn Assembly

(Time required: About 3 minutes)

4-1 Remove the metal grille assembly. (See procedure 3-1)

4-2 Remove the eight (8) screws marked [140]. The horn assembly can then be removed. (Photo 4)

4-3 Horn

4-3-1 Remove the two (2) hex head mach screw marked [50c]. The horn can then be removed from the horn assembly. (Photo 6)

4-4 Diaphragm Assembly

4-4-1 Remove the three (3) screws marked [A]. The diaphragm assembly can then be removed from the horn driver. (Photo 5, 7)

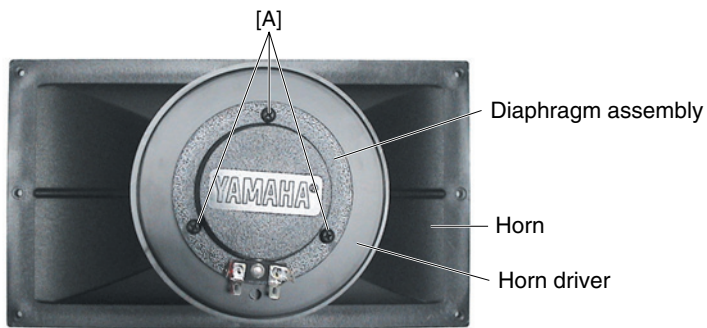
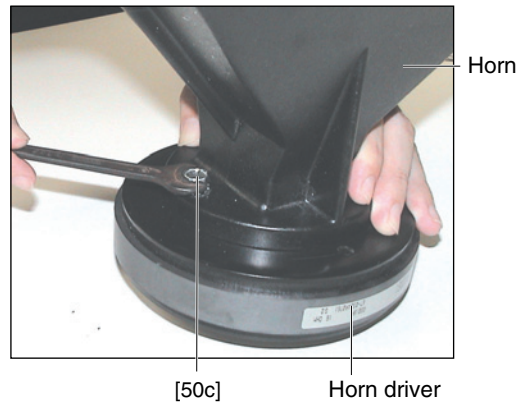


Photo 5



[50c]: Hex Head Mach Screw 1/4 x 5/8 inch (WJ356300)

Photo 6

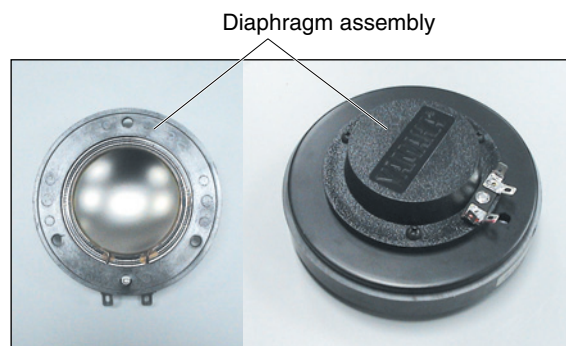
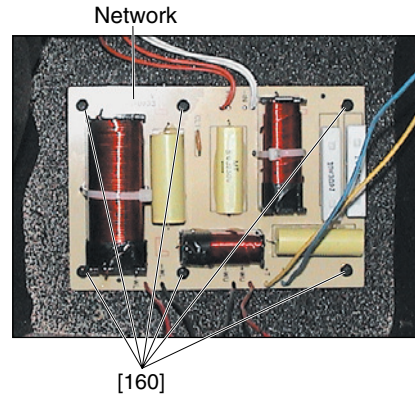


Photo 7

5. Network (Time required: About 4 minutes)

- 5-1 Remove the upper woofer. (See procedure 3)
- 5-2 Remove the six (6) screws marked [160]. The network can then be removed. (Photo 8)



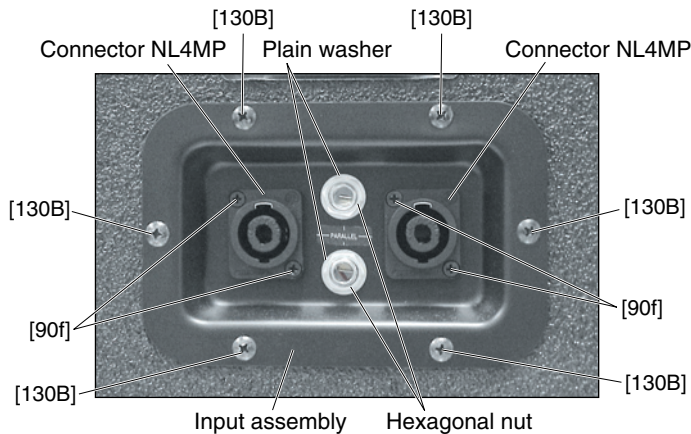
[160]: Pan Head SM Screw PHSMS #6 x 3/4 BLK (WJ911700)

Photo 8

6. Input Assembly

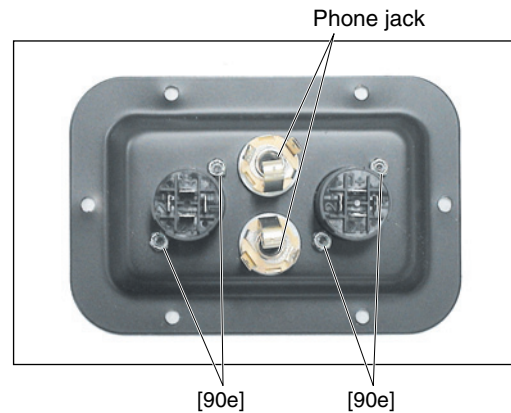
(Time required: About 2 minutes)

- 6-1 Remove the six (6) screws marked [130B]. The input assembly can then be removed. (Photo 9)
- 6-2 Remove the two (2) screws marked [90f] and the two (2) hexagonal nuts marked [90e]. The connector NL4MP can then be removed. (Photo 9, 10)
- 6-3 Remove the hexagonal nut. The plain washer and phone jack can then be removed. (Photo 9, 10)



[90f]: FH Machining Screw #4-40 x 3/8 ZN BL (WJ372100)
[130]: TH Sheet Metal Screw #6 x 5/8 BLK (WJ493800)

Photo 9



[90e]: Hexagonal Nut #4-40 NYLOK NUT (WJ372000)

Photo 10

● **CM10V**

1. Handle Assembly

(Time required: About 1 minute)

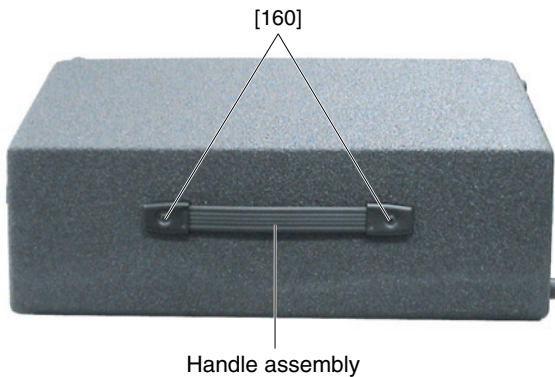
- 1-1 Remove the two (2) screws marked [160]. The handle assembly can then be removed. (Photo 1)

2. Pole Socket (Time required: About 1 minutes)

- 2-1 Remove the three (3) screws marked [130]. The pole socket can then be removed. (Photo 2)

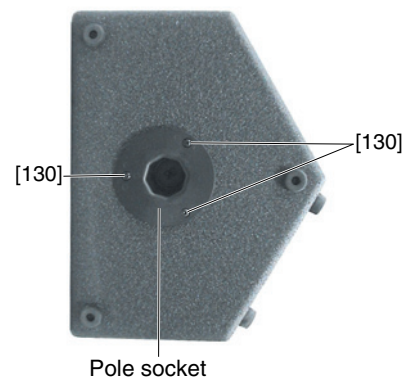
3. Rubber Foot (Time required: About 1 minutes)

- 3-1 Remove the screw marked [10d]. The rubber foot can then be removed. (Photo 3)



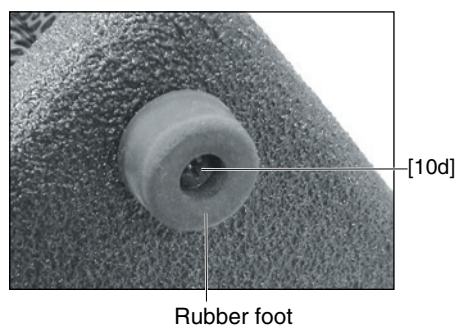
[160]: OH Machine Screw OHMS #10-32 x 1-1/4 BL (WJ911800)

Photo 1



[130]: Pan Head PB Screw #10 x 1 BLK (WJ911300)

Photo 2



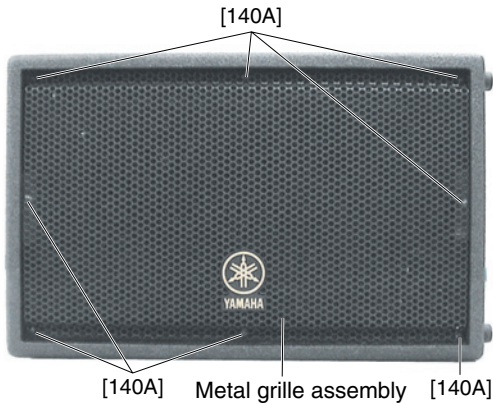
[10d]: Pan Head PB Screw #10 x 1 BLK (WJ911300)

Photo 3

**CLUB Series
SPEAKER SYSTEM/
SUBWOOFER**

4. Woofer (Time required: About 3 minutes)

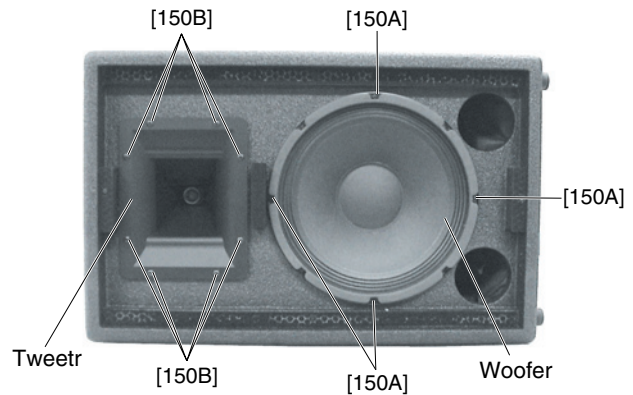
4-1 Remove the eight (8) screws marked [140A]. The metal grille assembly can then be removed. (Photo 4)



[140]: TH Sheet Metal Screw #6 x 5/8 BLK (WJ493800)

Photo 4

4-2 Remove the four (4) screws marked [150A]. The woofer can then be removed. (Photo 5)



[150]: Pan Head PB Screw PHPBS #8 x 1 BLK (WJ911500)

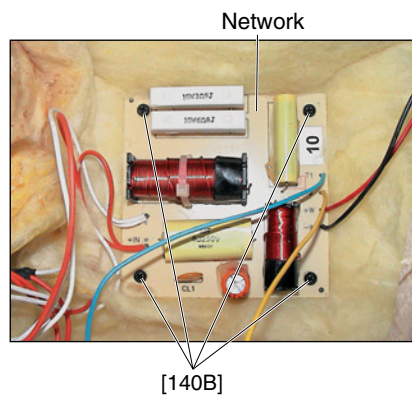
Photo 5

5. Tweeter (Time required: About 3 minutes)

5-1 Remove the metal grille assembly. (See procedure 4-1)
5-2 Remove the eight (8) screws marked [150B]. The tweeter can then be removed. (Photo 5)

6. Network (Time required: About 3 minutes)

6-1 Remove the tweeter. (See procedure 5)
6-2 Remove the four (4) screws marked [140B]. The network can then be removed. (Photo 6)



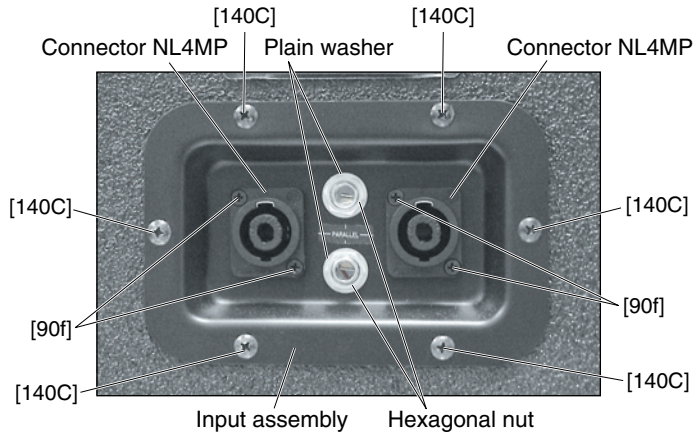
[140]: TH Sheet Metal Screw #6 x 5/8 BLK (WJ493800)

Photo 6

7. Input Assembly

(Time required: About 2 minutes)

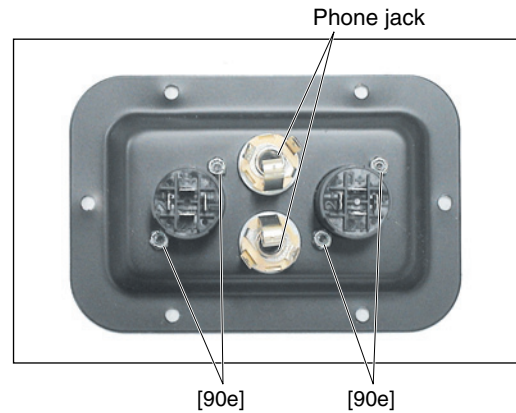
- 7-1 Remove the six (6) screws marked [140C]. The input assembly can then be removed. (Photo 7)
- 7-2 Remove the two (2) screws marked [90f] and the two (2) hexagonal nuts marked [90e]. The connector NL4MP can then be removed. (Photo 7, 8)
- 7-3 Remove the hexagonal nut. The plain washer and phone jack can then be removed. (Photo 7, 8)



[90f]: FH Machining Screw #4-40 x 3/8 ZN BL (WJ372100)

[140]: TH Sheet Metal Screw #6 x 5/8 BLK (WJ493800)

Photo 7



[90e]: Hexagonal Nut #4-40 NYLOK NUT (WJ372000)

Photo 8

● **CM12V/CM15V**

1. Metal Handle (Time required: About 1 minute)

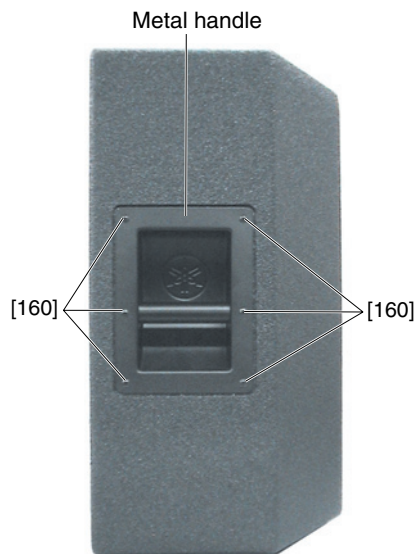
1-1 Remove the six (6) screws marked [160]. The metal handle can then be removed. (Photo 1)

2. Pole Socket (Time required: About 1 minutes)

2-1 Remove the three (3) screws marked [130A]. The pole socket can then be removed. (Photo 2)

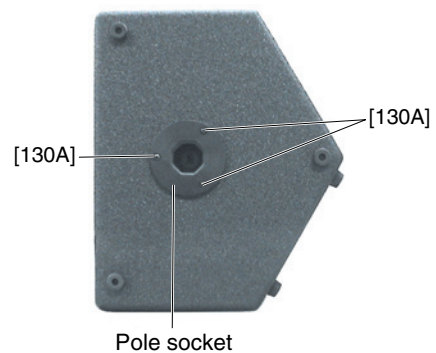
3. Rubber Foot (Time required: About 1 minutes)

3-1 Remove the screw marked [10d]. The rubber foot can then be removed. (Photo 3)



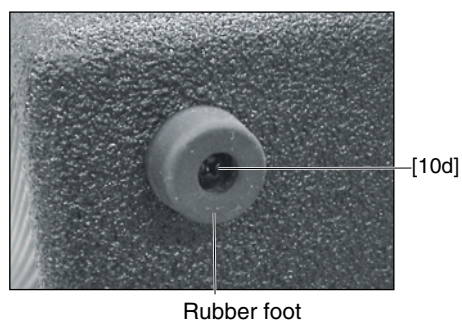
[160]: TH SMS Screw #8 x 3/4 BLACK (WJ911600)

Photo 1



[130]: Pan Head PB Screw #10 x 1 BLK (WJ911300)

Photo 2

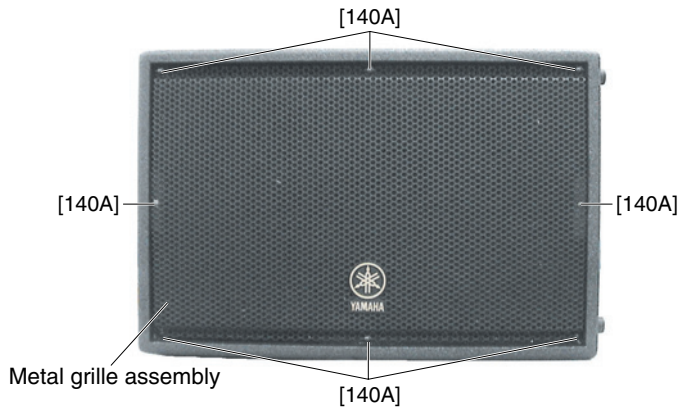


[10d]: Pan Head PB Screw #10 x 1 BLK (WJ911300)

Photo 3

4. Woofer (Time required: About 3 minutes)

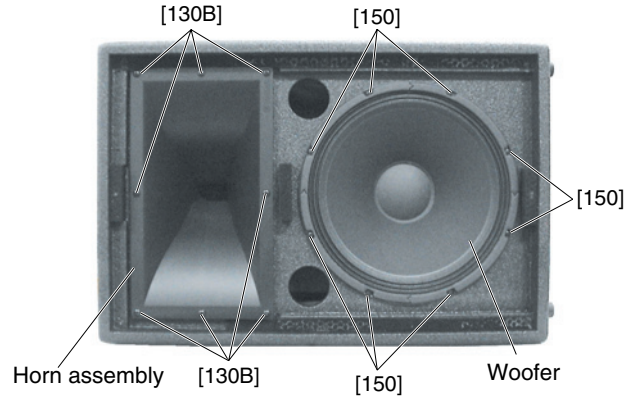
4-1 Remove the eight (8) screws marked [140A]. The metal grille assembly can then be removed. (Photo 4)



[140]: TH Sheet Metal Screw #6 x 5/8 BLK (WJ493800)

Photo 4

4-2 Remove the eight (8) screws marked [150]. The woofer can then be removed. (Photo 5)



[130]: Pan Head PB Screw #10 x 1 BLK (WJ911300)

CM12V

[150]: Pan Head PB Screw PHPBS #8 x 1 BLK (WJ911500)

CM15V

[150]: Pan HD Machine Screw #10-32 x 1 BLK (WJ494200)

Photo 5

5. Horn Assembly

(Time required: About 3 minutes)

- 5-1 Remove the metal grille assembly. (See procedure 4-1)
- 5-2 Remove the eight (8) screws marked [130B]. The horn assembly can then be removed. (Photo 5)
- 5-3 **Horn**
- 5-3-1 Remove the two (2) hex head mach screw marked [50c]. The horn can then be removed from the horn assembly. (Photo 7)

- 5-4 **Diaphragm Assembly**
- 5-4-1 Remove the three (3) screws marked [A]. The diaphragm assembly can then be removed from the horn driver. (Photo 6, 8)

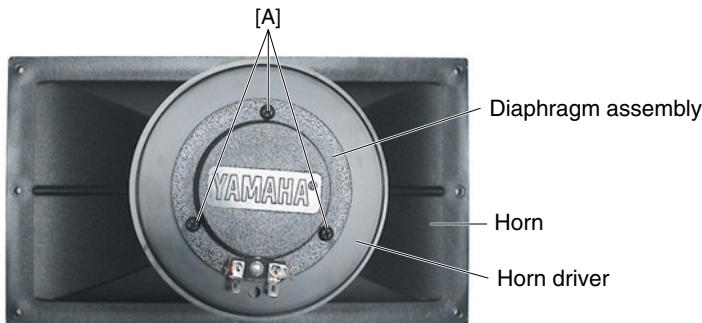
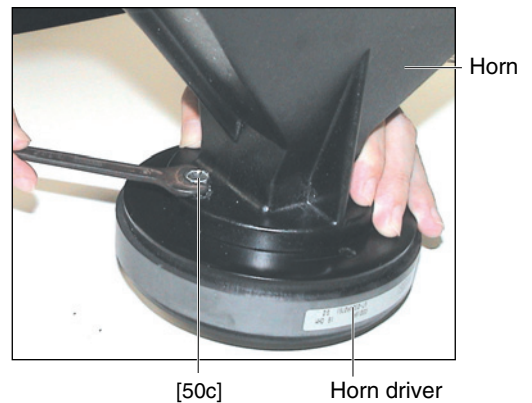


Photo 6



[50c]: Hex Head Mach Screw 1/4 x 5/8 inch (WJ356300)

Photo 7

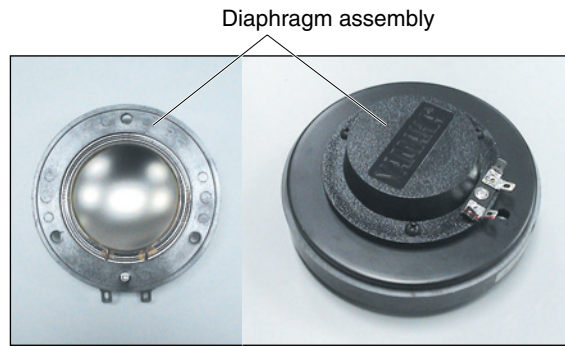
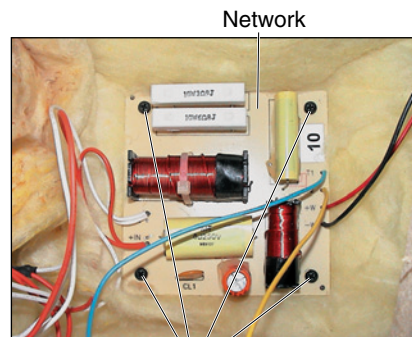


Photo 8

6. Network (Time required: About 4 minutes)

- 6-1 Remove the horn assembly. (See procedure 5)
- 6-2 Remove the four (4) screws marked [170]. The network can then be removed. (Photo 9)



[170]

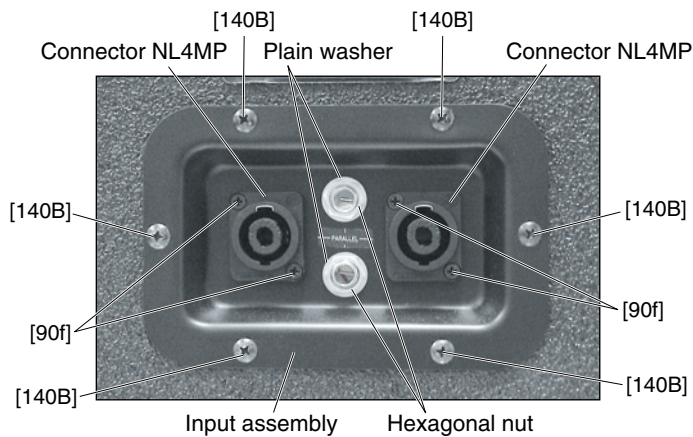
[170]: Pan Head SM Screw PHSMS #6 x 3/4 BLK (WJ911700)

Photo 9

7. Input Assembly

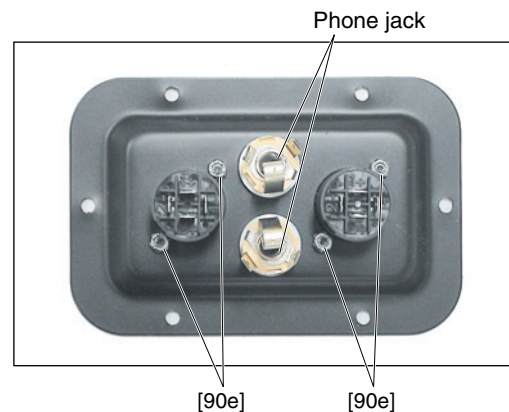
(Time required: About 2 minutes)

- 7-1 Remove the six (6) screws marked [140B]. The input assembly can then be removed. (Photo 10)
- 7-2 Remove the two (2) screws marked [90f] and the two (2) hexagonal nuts marked [90e]. The connector NL4MP can then be removed. (Photo 10, 11)
- 7-3 Remove the hexagonal nut. The plain washer and phone jack can then be removed. (Photo 10, 11)



[90f]: FH Machining Screw #4-40 x 3/8 ZN BL (WJ372100)
[140]: TH Sheet Metal Screw #6 x 5/8 BLK (WJ493800)

Photo 10



[90e]: Hexagonal Nut #4-40 NYLOK NUT (WJ372000)

Photo 11

● **CW115V/CW118V**

1. Metal Handle (Time required: About 1 minute)

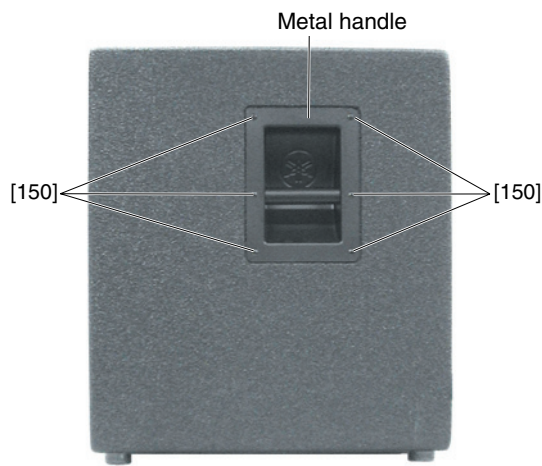
1-1 Remove the six (6) screws marked [150]. The metal handle can then be removed. (Photo 1)

2. Pole Socket (Time required: About 1 minutes)

2-1 Remove the four (4) screws marked [160]. The pole socket can then be removed. (Photo 2)

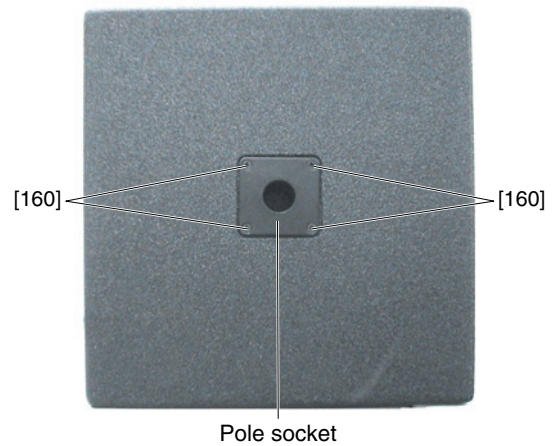
3. Rubber Foot (Time required: About 1 minutes)

3-1 Remove the screw marked [10d]. The rubber foot can then be removed. (Photo 3)



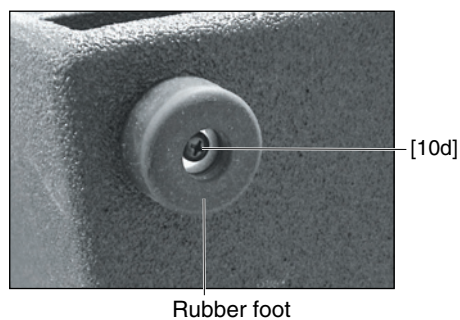
[150]: TH SMS Screw #8 x 3/4 BLACK (WJ911600)

Photo 1



[160]: FLH Machine Screw 1/4 x 1-1/4 BLK (WJ494300)

Photo 2

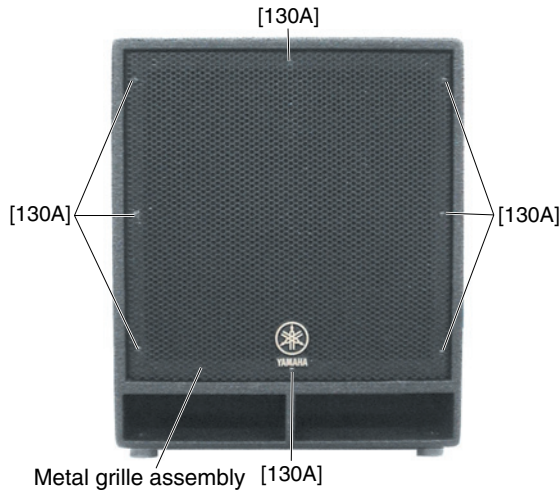


[10d]: Pan Head PB Screw #10-32 x 1 BLK (WJ494200)

Photo 3

4. Woofer (Time required: About 3 minutes)

4-1 Remove the eight (8) (The screws of CW118V model is twelve (12)) screws marked [130A]. The metal grille assembly can then be removed. (Photo 4)

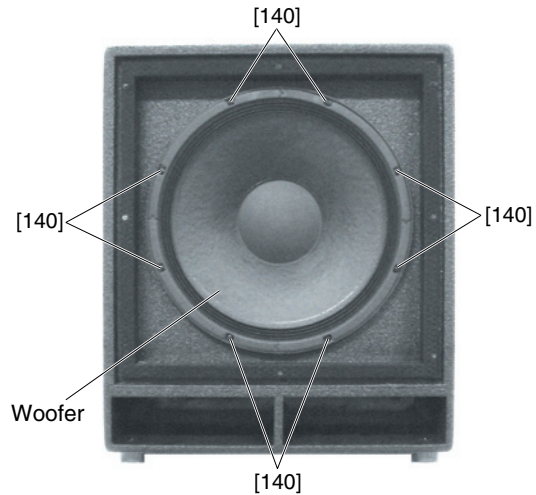


(CW115V)

[130]: TH Sheet Metal Screw #6 x 5/8 BLK (WJ493800)

Photo 4

4-2 Remove the eight (8) screws marked [140]. The woofer can then be removed. (Photo 5)



[140]: Pan HD Machine Screw #10-32 x 1-1/2 (WJ624200)

Photo 5

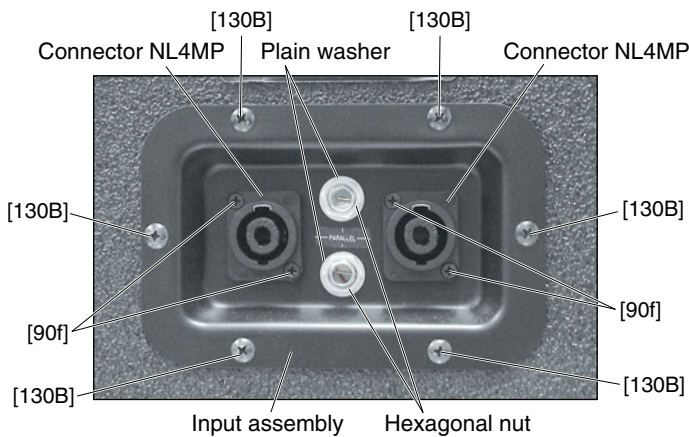
5. Input Assembly

(Time required: About 2 minutes)

5-1 Remove the six (6) screws marked [130B]. The input assembly can then be removed. (Photo 6)

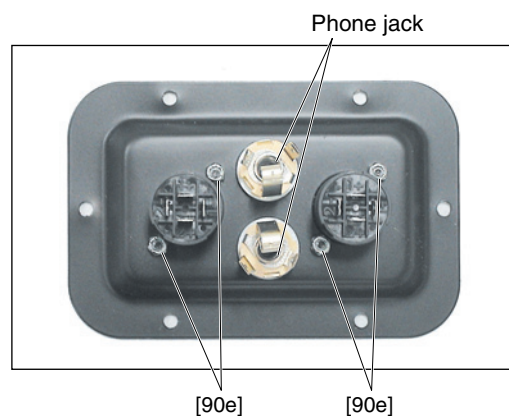
5-2 Remove the two (2) screws marked [90f] and the two (2) hexagonal nuts marked [90e]. The connector NL4MP can then be removed. (Photo 6, 7)

5-3 Remove the hexagonal nut. The plain washer and phone jack can then be removed. (Photo 6, 7)



[90f]: FH Machining Screw #4-40 x 3/8 ZN BL (WJ372100)
[130]: TH Sheet Metal Screw #6 x 5/8 BLK (WJ493800)

Photo 6



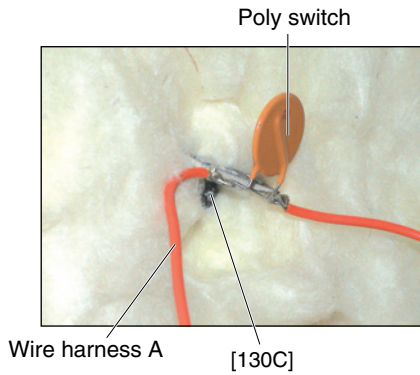
[90e]: Hexagonal Nut #4-40 NYLOK NUT (WJ372000)

Photo 7

6. Wire Harness A

(Time required: About 5 minutes)

6-1 Remove the woofer. (See procedure 4)



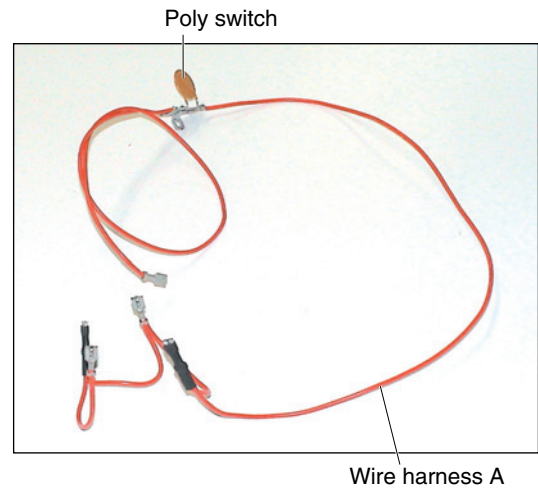
Wire harness A

[130C]

[130]: TH Sheet Metal Screw #6 x 5/8 BLK (WJ493800)

Photo 8

6-2 Remove the screw marked [130C]. The wire harness A can then be removed. (Photo 8, 9)



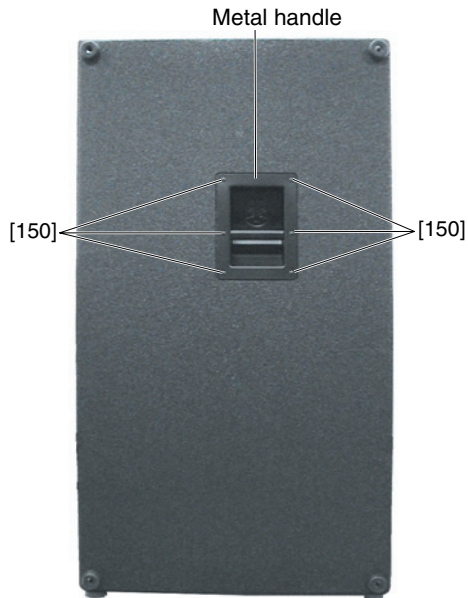
Wire harness A

Photo 9

● **CW218V**

1. Metal Handle (Time required: About 1 minute)

1-1 Remove the six (6) screws marked [150]. The metal handle can then be removed. (Photo 1)



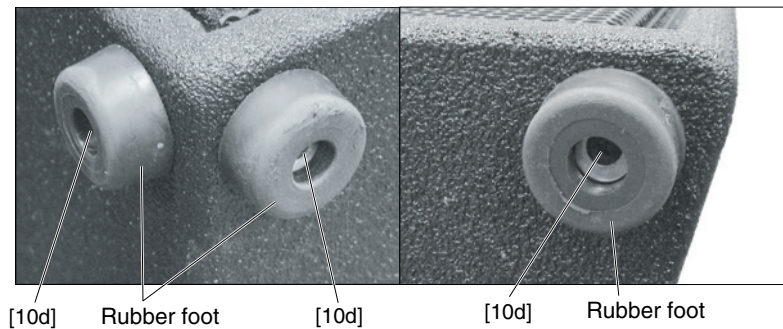
[150]: TH SMS Screw #8 x 3/4 BLACK (WJ911600)

Photo 1

2. Rubber Foot (Time required: About 1 minutes)

2-1 Remove the screw marked [10d]. The rubber foot can then be removed. (Photo 2)

2-2 When the number of rubber feet are two, the two (2) screws marked [10d] are removed, respectively. (Photo 2)

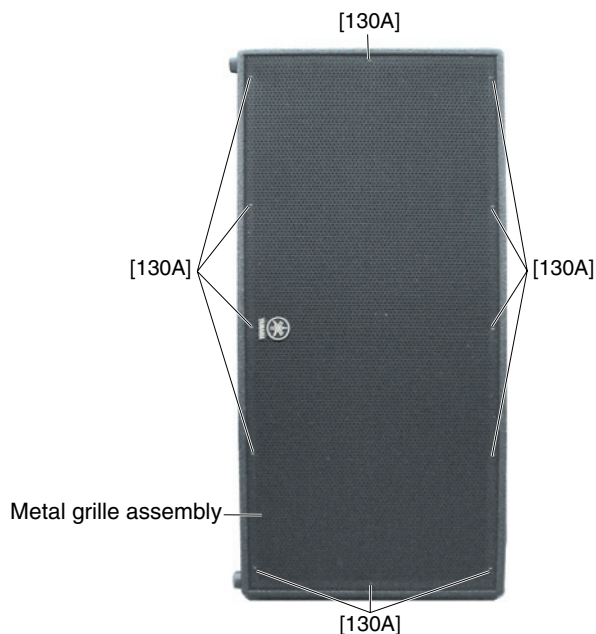


[10d]: Pan Head PB Screw #10 x 1 BLK (WJ911300)

Photo 2

3. Woofer (Time required: About 3 minutes)

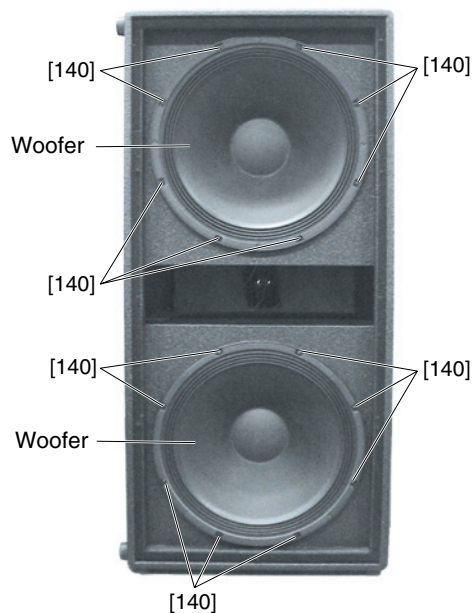
3-1 Remove the twelve (12) screws marked [130A]. The metal grille assembly can then be removed. (Photo 3)



[130]: TH Sheet Metal Screw #6 x 5/8 BLK (WJ493800)

Photo 3

3-2 Remove the eight (8) screws marked [140]. The woofer can then be removed. (Photo 4)



[140]: Pan HD Machine Screw #10-32 x 1-1/2 (WJ624200)

Photo 4

4. Input Assembly

(Time required: About 2 minutes)

- 4-1 Remove the six (6) screws marked [130B]. The input assembly can then be removed. (Photo 5)
- 4-2 Remove the two (2) screws marked [90f] and the two (2) hexagonal nuts marked [90e]. The connector NL4MP can then be removed. (Photo 5, 6)

- 4-3 Remove the hexagonal nut. The plain washer and phone jack can then be removed. (Photo 5, 6)

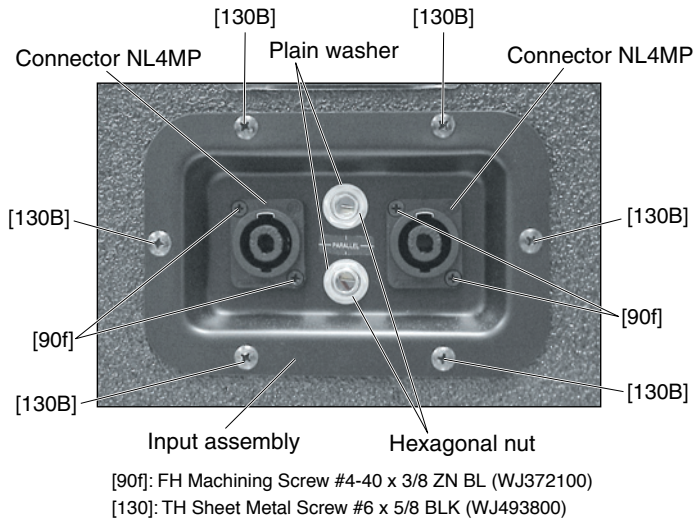


Photo 5

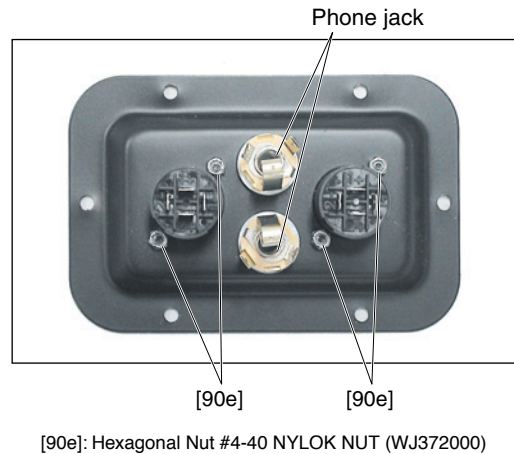


Photo 6

5. Wire Harness A

(Time required: About 7 minutes)

- 5-1 Remove the upper and lower woofer. (See procedure 3)

- 5-2 Remove the two (2) screws marked [130C]. The wire harness A can then be removed. (Photo 7, 8)

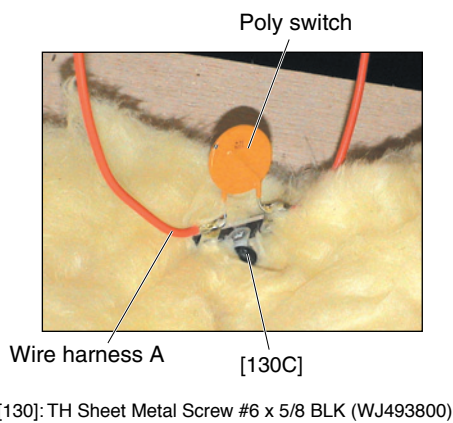


Photo 7

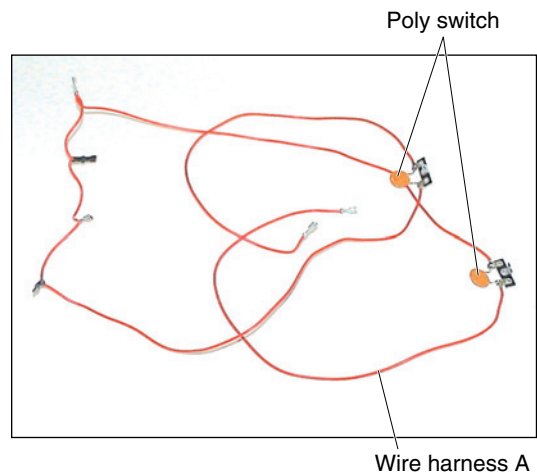


Photo 8

■ 分解手順

● C112VA/C115VA

1. スピーカ (LF) (所要時間：約3分)

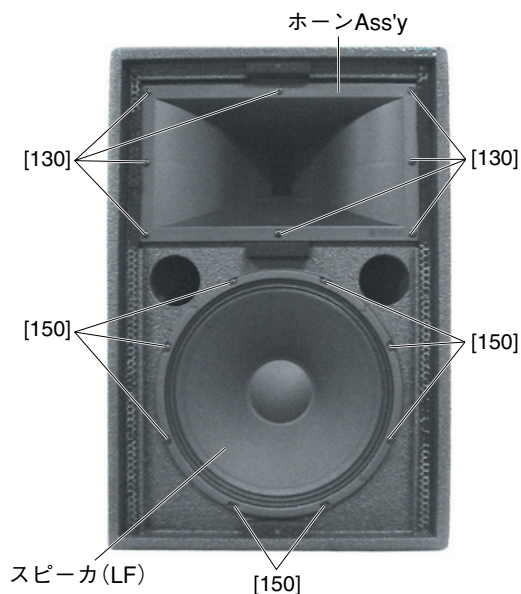
1-1 [140A]のネジ8本を外し、メタルグリル Ass'yを外します。(写真1)



[140]: トラストップねじ #6 x 5/8 BLK (WJ493800)

写真 1

1-2 [150]のネジ8本を外し、スピーカ (LF) を外します。(写真1)



[130]: 鍋ねじ #10 x 1 BLK (WJ911300)

C112VA

[150]: 鍋ねじ PHPBS #8 x 1 BLK (WJ911500)

C115VA

[150]: 鍋ねじ #10-32 x 1 BLK (WJ494200)

写真 2

2. ホーン Ass'y (所要時間：約3分)

2-1 メタルグリル Ass'yを外します。(1-1項参照)

2-2 [130]のネジ8本を外し、ホーン Ass'yを外します。(写真2)

2-3 ホーン

2-3-1 [50c]の六角ボルト2本を外し、ホーン Ass'y からホーンを外します。(写真4)

2-4 **ダイヤフラム Ass'y**

2-4-1 [A]のネジ3本を外し、スピーカ (HF) からダイヤフラム Ass'yを外します。(写真3、5)

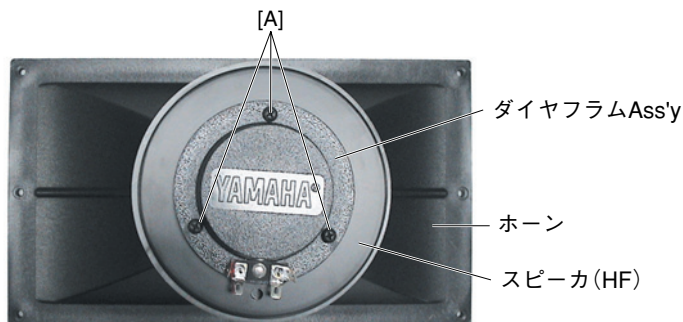
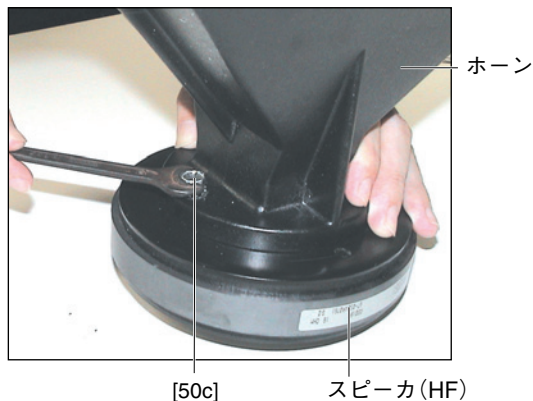


写真 3



[50c]: 歯付座金付六角ボルト 1/4 x 5/8 inch (WJ356300)

写真 4

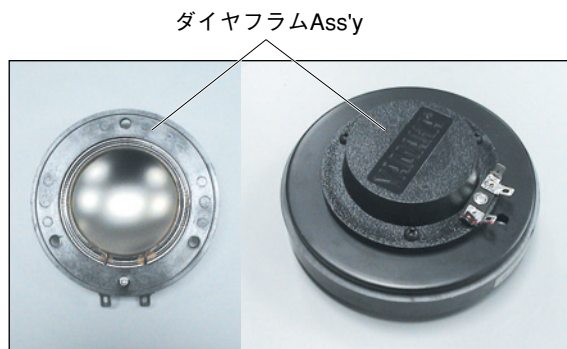
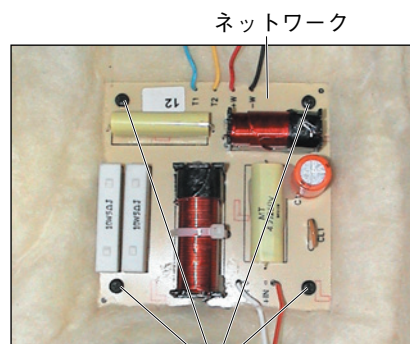


写真 5

3. ネットワーク (所要時間: 約4分)

- 3-1 スピーカ (LF) を外します。(1項参照)
- 3-2 [170]のネジ4本を外し、ネットワークを外します。(写真6)



[170]

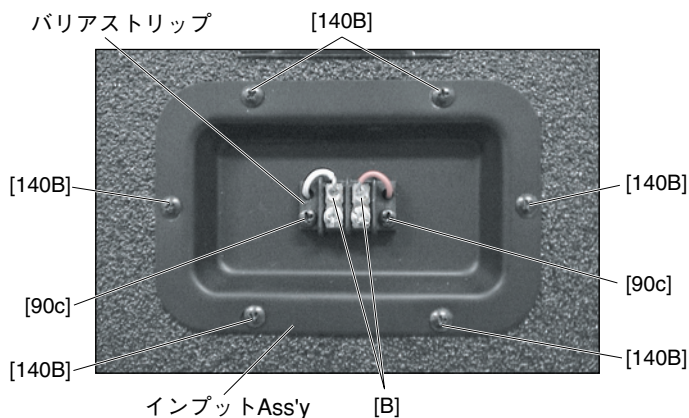
[170]: 鋼ねじ PHSMS #6 x 3/4 BLK (WJ911700)

写真 6

4. インプット Ass'y (所要時間: 約2分)

- 4-1 [140B]のネジ6本を外し、インプット Ass'yを外します。(写真7)

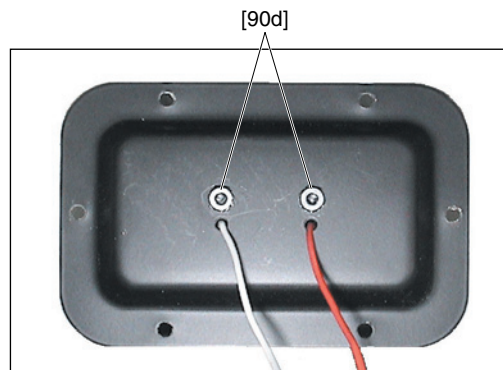
- 4-2 [90c]のネジ2本と[90d]の六角ナット2本、[B]の半田を外し、バリアストリップを外します。(写真7、8)



[90c]: 鋼小ねじ PHMS #6-32 x 1/2 ZN BLK (WJ971600)

[140]: トラストップねじ #6 x 5/8 BLK (WJ493800)

写真 7



[90d]: 歯付座金ナット#6 #6-32 (WJ542400)

写真 8

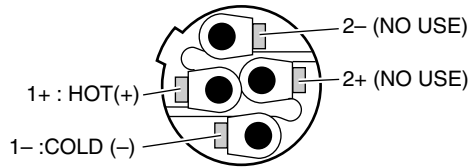
■ NEUTRIK NL4FC PLUG WIRING (スピコン NEUTRIK NL4FC プラグの配線)

If you will be using the Neutrik connectors for speaker input, wire the plugs as shown below.

(Neutrik NL4FCプラグは図のように配線してください。)

Be sure to use proper speaker cable — NOT shielded instrument or line cable — for all speaker connections.

(ケーブルは、スピーカーケーブルを使用してください。)



Neutrik NL4FC connector

CLUB Series SPEAKER SYSTEM/ SUBWOOFER

PARTS LIST


■ CONTENTS (目次)


OVERALL ASSEMBLY (総組立)	2
• C112V	2
• C112VA	4
• C115V	6
• C115VA	8
• C215V	10
• CM10V	12
• CM12V	14
• CM15V	16
• CW115V	18
• CW118V	20
• CW218V	22

Notes : DESTINATION ABBREVIATIONS

A : Australian model	M : South African model
B : British model	O : Chinese model
C : Canadian model	Q : South-east Asia model
D : German model	T : Taiwan model
E : European model	U : U.S.A. model
F : French model	V : General export model (110V)
H : North European model	W : General export model (220V)
I : Indonesian model	N,X : General export model
J : Japanese model	Y : Export model
K : Korean model	

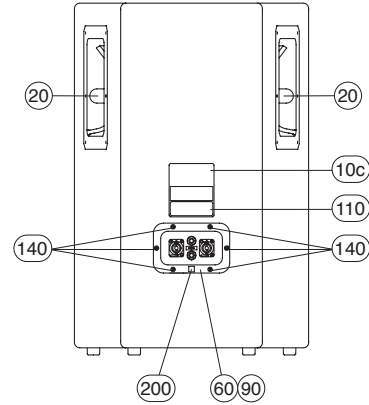
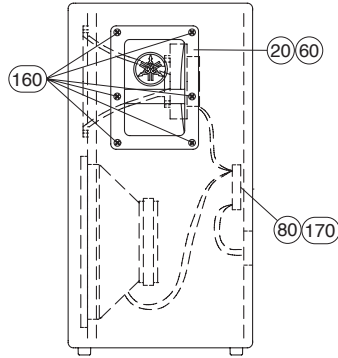
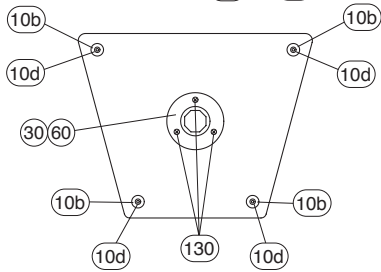
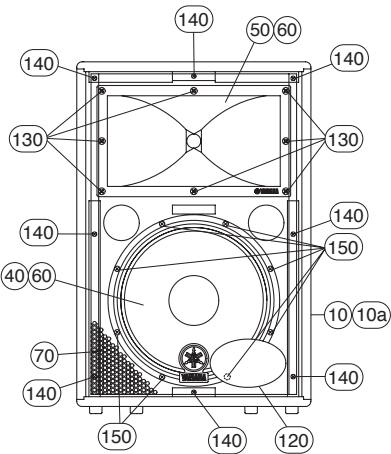
■ WARNING

Components having special characteristics are marked  and must be replaced with parts having specification equal to those originally installed.

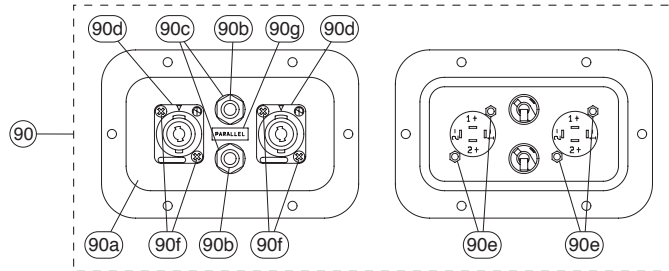
 印の部品は、安全を維持するために重要な部品です。交換する場合は、安全のために必ず指定の部品をご使用ください。

- The numbers "QTY" show quantities for each unit.
- The parts with "--" in "PART NO." are not available as spare parts.
- This mark "}" in the REMARKS column means these parts are interchangeable.
- The second letter of the shaded (■) part number is O, not zero.
- The second letter of the shaded (■) part number is I, not one.
- 部品価格ランクは、変更になることがあります。
- QTY 欄に記されている数字は、各ユニット当たりの使用個数です。
- PART NO. が "--" の部品は、サービス用部品として準備されておりません。
- REMARKS 欄の 「}」 マークの部品は、併用部品です。
- 網掛けの付いた PART NO. の 2 番目の文字は「ゼロ」ではなく、「オー」です。
- 網掛けの付いた PART NO. の 2 番目の文字は「イチ」ではなく、「アイ」です。

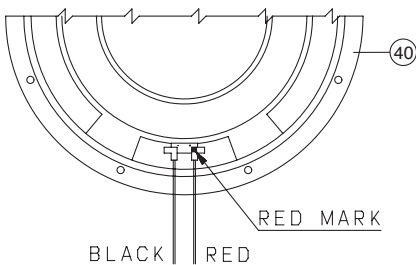
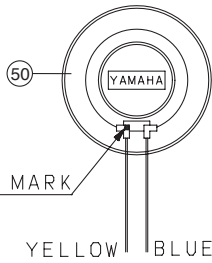
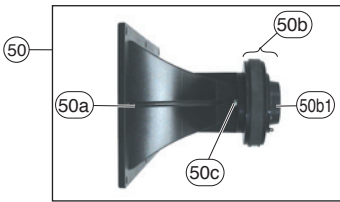
OVERALL ASSEMBLY (総組立) : C112V



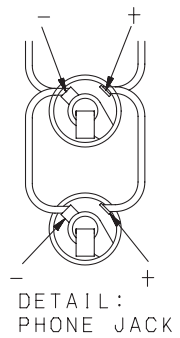
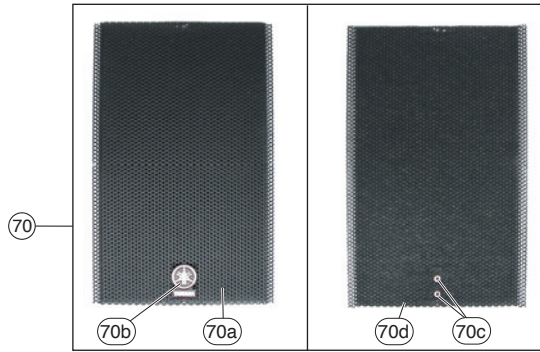
Input Assembly



Horn Assembly

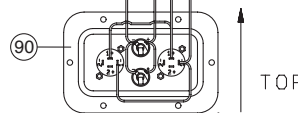


Metal Grille Assembly



FROM CROSSOVER NETWORK

ORANGE (NAKED TERMINAL) +
 WHITE (NAKED TERMINAL) -
 ORANGE (COVERED TERMINAL) 1+
 WHITE (COVERED TERMINAL) 1-



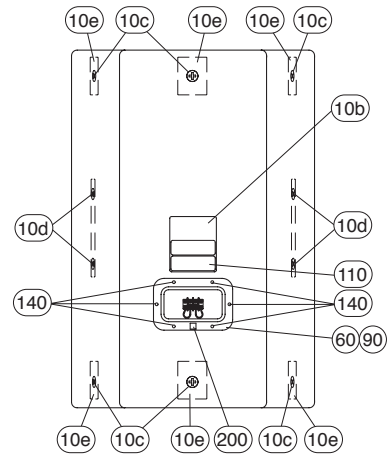
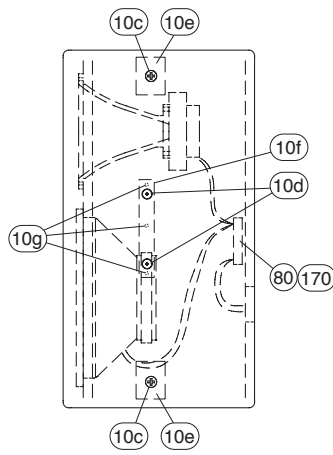
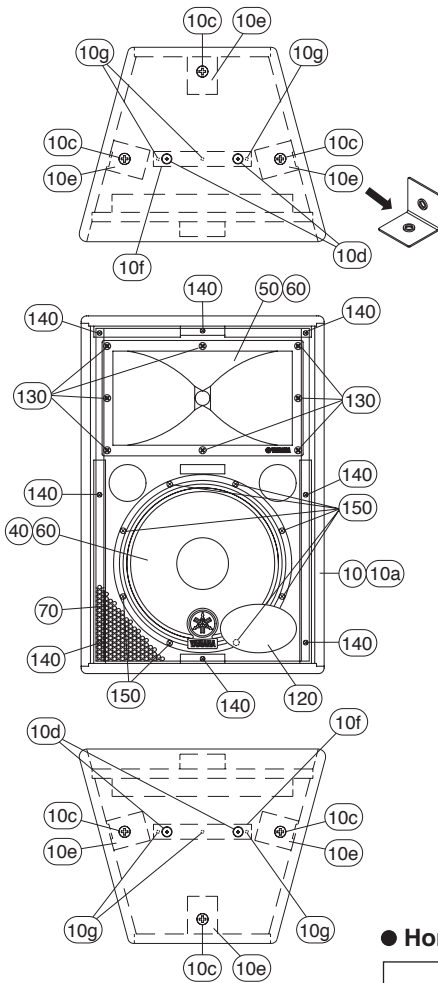
**CLUB Series
SPEAKER SYSTEM/
SUBWOOFER**

REF NO.	PART NO.	DESCRIPTION		部 品 名	REMARKS	QTY	RANK
		OVERALL ASSEMBLY		総 組 立	C112V		
	--	Overall Assembly	PA J	総 組 立	Y		
	--	Overall Assembly	PA CHN	総 組 立	O	(WJ38650)	
10	--	Cabinet Assembly		キャビネット A s s ' y		(WJ38460)	
10a	--	Cabinet		キャビネット 塗装上り		(WJ42300)	
* 10b	WJ352600	Rubber Foot		ゴ ム 脚		(CBY01890)	4
10c	--	Label		注 意 文 ラ ベ ル		(WJ35280)	
* 10d	WJ911300	Pan Head PB Screw	#10 X 1 BLK	鍋 ね じ		(EKY01240)	4
* 20	WJ213700	Metal Handle		メ タ ル ハ ン ド ル		(AAY02580)	2
* 30	WJ355400	Pole Socket	TSM	ポ ー ル ソ ケ ッ ト		(CBY03910)	
* 40	X8456A00	Woofer	30 8 175	ス ピ ー カ	LF 12"	(JAY51200)	
* 50	WJ356400	Horn Assembly	MIPA 8F87	ホ ー ン A s s ' y		(NBY07370)	
* 50a	WJ356100	Horn		ホ ー ン		(CBY05490)	
* 50b	X8454A00	Horn Driver	5.0 16	ス ピ ー カ	HF	(JAY20610)	
* 50b1	WK235000	Diaphragm Assembly		ダ イ ヤ フ ラ ム A s s ' y		(NBE20610)	16
* 50c	WJ356300	Hex Head Mach Screw	1/4 X 5/8 inch T	歯 付 座 金 付 六 角 ボ ル ト		(EKY01340)	2
* 60	WJ356500	Gasket	9.5	ガ ス ケ ッ ト		(CBY01480)	
* 70	WJ363900	Metal Grille Assembly		メ タ ル グ リ ル A s s ' y		(NBY07440)	
70a	--	Metal Grille		メ タ ル グ リ ル		(WJ36620)	
* 70b	WJ370400	Logo Badge		ロ ゴ バ ッ ジ		(CBY05500)	
* 70c	WJ370500	Push Nut		プ ッ シ ュ ナ ッ ト		(AAX52740)	2
70d	--	Urethane Foam		ウ レ タ ン フ ォ ー ム		(WJ36710)	
* 80	WJ367900	Cross-Over Network	12	ネ ッ ト ワ ー ク		(NBY07310)	
* 90	WJ370600	Input Assembly	PA 8F87	イ ン プ ッ ト A s s ' y		(NBY07360)	
90a	--	Input Panel		イ ン プ ッ ト パ ネ ル		(WJ37090)	
* 90b	WJ371200	Phone Jack	PA	ホ ー ン ジ ャ ッ ク		(LBY00150)	2
* 90c	WJ371700	Plain Washer	3/8inch	平 座 金		(EWPP0010)	2
* 90d	WJ371800	Connector NL4MP	4P NL4MP	コ ネ ク タ N L 4 M P		(LAY00180)	2
* 90e	WJ372000	Hexagonal Nut	#4-40 NYLOK NUT	六 角 ナ ッ ト		(EKY01540)	4
* 90f	WJ372100	FH Machining Screw	#4-40X3/8 ZN BL	皿 ね じ		(EFME0630)	4
90g	--	Decal		デ カ ー ル		(WJ37220)	
110	--	Serial Label		シ リ ア ル N O ラ ベ ル		(WK60960)	
120	--	Pop Label		ポ ッ プ ラ ベ ル		(WJ36930)	
* 130	WJ911300	Pan Head PB Screw	#10 X 1 BLK	鍋 ね じ		(EKY01240)	11
* 140	WJ493800	TH Sheet Metal Screw	#6X5/8 BLK	ト ラ ス タ ッ プ ね じ		(ETAG1030)	14
* 150	WJ911500	Pan Head PB Screw	PHPBS #8X1 BLK	鍋 ね じ		(EKY01460)	8
* 160	WJ911600	TH SMS Screw	#8 X 3/4 BLACK	ト ラ ス ね じ		(ETAH230)	12
* 170	WJ911700	Pan Head SM Screw	PHSMS #6X3/4 BLK	鍋 ね じ		(EPAG1230)	4
200	--	Label		E マ ー ク ラ ベ ル	O	(WK53590)	

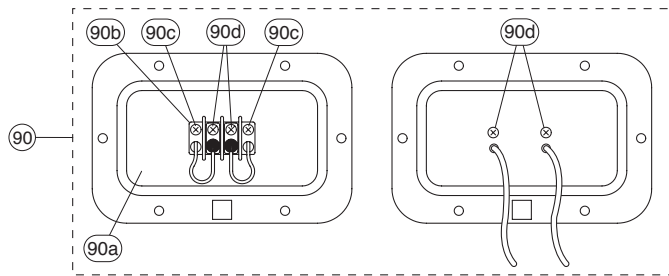
*: New Parts

RANK: Japan only

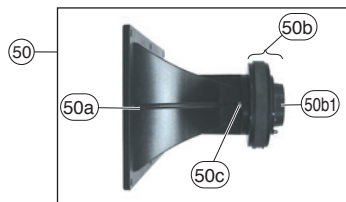
OVERALL ASSEMBLY (総組立) : C112VA



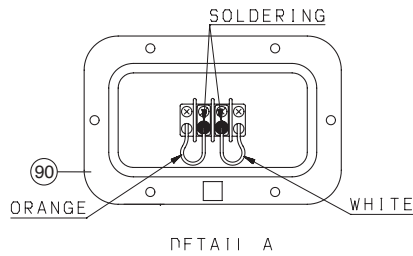
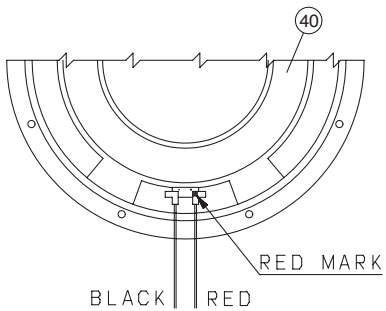
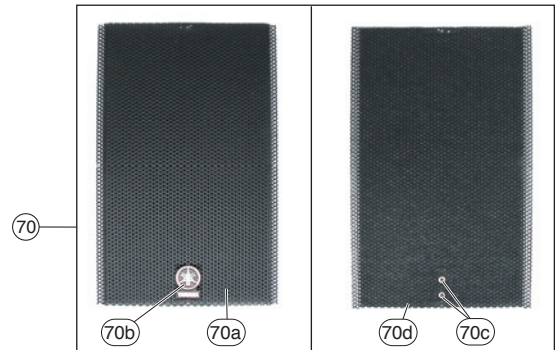
Input Assembly



Horn Assembly



Metal Grille Assembly



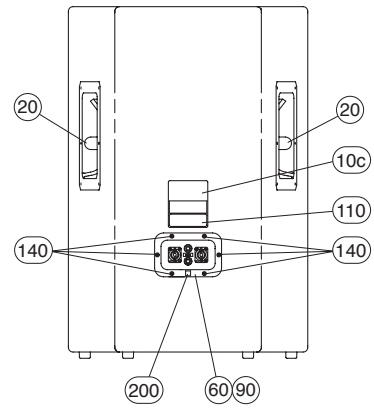
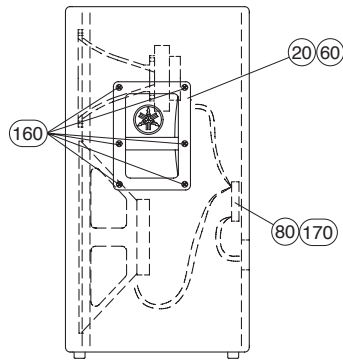
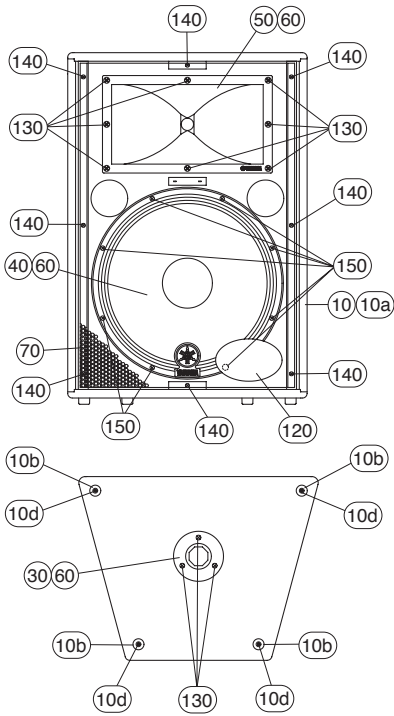
**CLUB Series
SPEAKER SYSTEM/
SUBWOOFER**

REF NO.	PART NO.	DESCRIPTION		部 品 名	REMARKS	QTY	RANK
		OVERALL ASSEMBLY		総 組 立	C112VA		
	--	Overall Assembly	PA J	総 組 立	YJ (WJ38660)		
	--	Overall Assembly	PA CHN	総 組 立	O (WK73600)		
10	--	Cabinet Assembly		キャビネットA s s ' y	(WJ38470)		
10a	--	Cabinet		キャビネット塗装上り	(WJ42310)		
10b	--	Label		注 意 文 ラ ベ ル	(WJ35280)		
* 10c	WJ584900	FH Machining Screw	3/8 -16 X 1-1/4 BL	皿 ね じ	(EFMP2030)	12	
* 10d	WJ912000	Pan Head Machine Screw	PHMS 5/16X1.5 BLK	鍋 小 ね じ	(ERM02430)	8	
* 10e	WJ584500	Internal Bracket		イ ン タ ー ナ ル 金 具	(AAY02480)	6	
* 10f	WJ969800	Metal Plate		メ タ ル プ レ ー ト	(AAY02350)	4	
* 10g	WJ911900	Pan Head SM Screw	PHSMS #8X5/8 BLK	鍋 ね じ	(EPAI1030)	12	
* 40	X8456A00	Woofer	30 8 175	ス ピ ー カ	LF 12" (JAY51200)		
* 50	WJ356400	Horn Assembly	MIPA 8F87	ホ ー ン A s s ' y	(NBY07370)		
* 50a	WJ356100	Horn		ホ ー ン	(CBY05490)		
* 50b	X8454A00	Horn Driver	5.0 16	ス ピ ー カ	HF (JAY20610)		
* 50b1	WK235000	Diaphragm Assembly		ダイアフラムA s s ' y	(NBE20610)		16
* 50c	WJ356300	Hex Head Mach Screw	1/4 X 5/8 inch T	歯 付 座 金 付 六 角 ボ ル ト	(EKY01340)	2	
* 60	WJ356500	Gasket	9.5	ガ ス ケ ッ ト	(CBY01480)		
* 70	WJ363900	Metal Grille Assembly		メ タ ル グ リ ル A s s ' y	(NBY07440)		
* 70a	--	Metal Grille		メ タ ル グ リ ル	(WJ36620)		
* 70b	WJ370400	Logo Badge		ロ ゴ バ ッ ジ	(CBY05500)		
* 70c	WJ370500	Push Nut		プ ッ シ ュ ナ ッ ト	(AAX52740)	2	
* 70d	--	Urethane Foam		ウ レ タ ン フ ォ ー ム	(WJ36710)		
* 80	WJ368200	Cross-Over Network	12A	ネ ッ ト ワ ー ク	(NBY07350)		
* 90	WJ584700	Input Assembly A	PA 8F97	イ ン プ ッ ト A s s ' y A	(NBY07380)		
* 90a	--	Input Panel A		イ ン プ ッ ト パ ネ ル A	(WJ58480)		
* 90b	WJ584600	Barrier Strip	2P	バ リ ア ス ト リ ッ プ	(LAY00170)		
* 90c	WJ971600	Pan HD Machine Screw	PHMS #6-32X1/2 BLK	鍋 小 ね じ	(EPMG0830)	2	
* 90d	WJ542400	Keps Nut	#6-32	歯 付 座 金 ナ ッ ト # 6	(EKY00940)	2	
110	--	Serial Label		シ リ ア ル N O ラ ベ ル	(WK60970)		
120	--	Pop Label		ポ ッ プ ラ ベ ル	(WJ36940)		
* 130	WJ911300	Pan Head PB Screw	#10 X 1 BLK	鍋 ね じ	(EKY01240)	8	
* 140	WJ493800	TH Sheet Metal Screw	#6X5/8 BLK	ト ラ ス タ ッ プ ね じ	(ETAG1030)	14	
* 150	WJ911500	Pan Head PB Screw	PHPBS #8X1 BLK	鍋 ね じ	(EKY01460)	8	
* 170	WJ911700	Pan Head SM Screw	PHSMS #6X3/4 BLK	鍋 ね じ	(EPAG1230)	4	
200	--	Label		E マ ー ク ラ ベ ル	O (WK53590)		
*	WJ585000	ACCESSORY Eye Bolt	3/8inch	付 属 品 ア イ ボ ル ト	(AAY01960)	4	

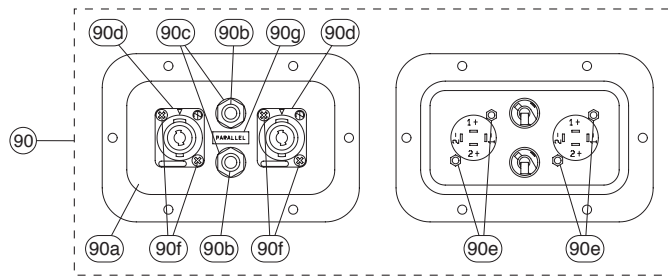
*: New Parts

RANK: Japan only

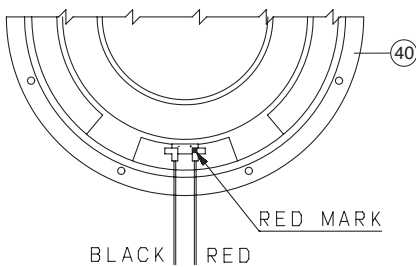
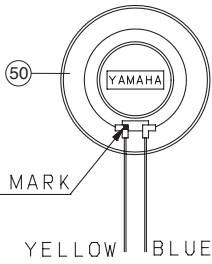
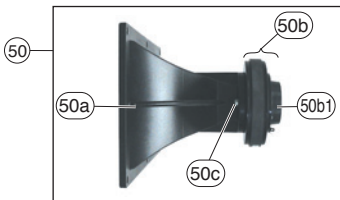
OVERALL ASSEMBLY (総組立) : C115V



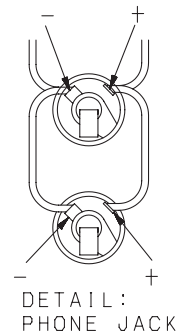
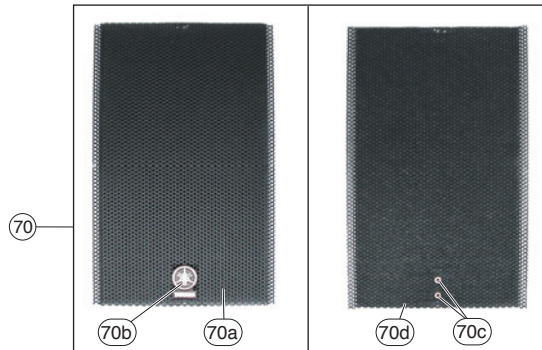
Input Assembly



Horn Assembly

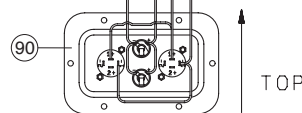


Metal Grille Assembly



FROM CROSSOVER NETWORK

ORANGE (NAKED TERMINAL) + ORANGE (COVERED TERMINAL) 1+
WHITE (NAKED TERMINAL) - WHITE (COVERED TERMINAL) 1-



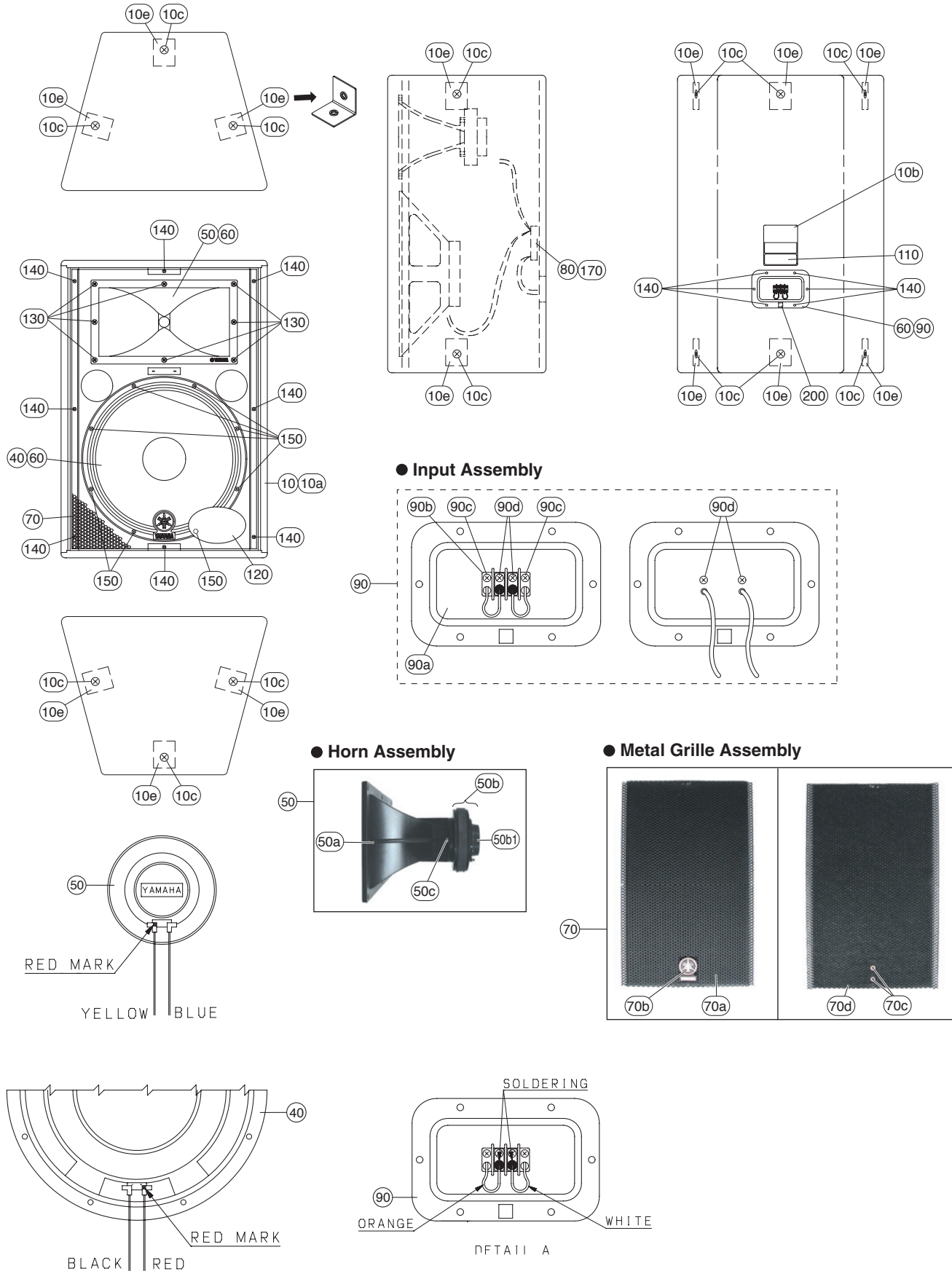
**CLUB Series
SPEAKER SYSTEM/
SUBWOOFER**

REF NO.	PART NO.	DESCRIPTION		部 品 名	REMARKS	QTY	RANK
		OVERALL ASSEMBLY		総 組 立	C115V		
	--	Overall Assembly	PA J	総 組 立	Y (WJ38670)		
	--	Overall Assembly	PA CHN	総 組 立	O (WK73610)		
10	--	Cabinet Assembly		キャビネット A s s ' y	(WJ38480)		
10a	--	Cabinet		キャビネット 塗装上り	(WJ42320)		
* 10b	WJ352600	Rubber Foot		ゴ ム 脚	(CBY01890)	4	
10c	--	Label		注 意 文 ラ ベ ル	(WJ35280)		
* 10d	WJ911300	Pan Head PB Screw	#10 X 1 BLK	鍋 ね じ	(EKY01240)	4	
* 20	WJ213700	Metal Handle		メ タ ル ハ ン ド ル	(AAY02580)	2	
* 30	WJ355400	Pole Socket	TSM	ポ ー ル ソ ケ ッ ト	(CBY03910)		
* 40	X8974A00	Woofer	38 8 250	ス ピ ー カ	LF 15" (JAY61300)		
* 50	WJ356400	Horn Assembly	MIPA 8F87	ホ ー ン A s s ' y	(NBY07370)		
* 50a	WJ356100	Horn		ホ ー ン	(CBY05490)		
* 50b	X8454A00	Horn Driver	5.0 16	ス ピ ー カ	HF (JAY20610)		
* 50b1	WK235000	Diaphragm Assembly		ダ イ ヤ フ ラ ム A s s ' y	(NBE20610)		16
* 50c	WJ356300	Hex Head Mach Screw	1/4 X 5/8 inch T	歯 付 座 金 付 六 角 ボ ル ト	(EKY01340)	2	
* 60	WJ356500	Gasket	9.5	ガ ス ケ ッ ト	(CBY01480)	2	
* 70	WJ364000	Metal Grille Assembly		メ タ ル グ リ ル A s s ' y	(NBY07450)		
70a	--	Metal Grille		メ タ ル グ リ ル	(WJ36630)		
* 70b	WJ370400	Logo Badge		ロ ゴ バ ッ ジ	(CBY05500)		
* 70c	WJ370500	Push Nut		プ ッ シ ュ ナ ッ ト	(AAX52740)	2	
70d	--	Urethane Foam		ウ レ タ ン フ ォ ー ム	(WJ36720)		
* 80	WJ367800	Cross-Over Network	15	ネ ッ ト ワ ー ク	(NBY07300)		
* 90	WJ370600	Input Assembly	PA 8F87	イ ン プ ッ ト A s s ' y	(NBY07360)		
90a	--	Input Panel		イ ン プ ッ ト パ ネ ル	(WJ37090)		
* 90b	WJ371200	Phone Jack	PA	ホ ー ン ジ ャ ッ ク	(LBY00150)	2	
* 90c	WJ371700	Plain Washer	3/8inch	平 座 金	(EWPP0010)	2	
* 90d	WJ371800	Connector NL4MP	4P NL4MP	コ ネ ク タ N L 4 M P	(LAY00180)	2	
* 90e	WJ372000	Hexagonal Nut	#4-40 NYLOK NUT	六 角 ナ ッ ト	(EKY01540)	4	
* 90f	WJ372100	FH Machining Screw	#4-40X3/8 ZN BL	皿 ね じ	(EFME0630)	4	
90g	--	Decal		デ カ ー ル	(WJ37220)		
110	--	Serial Label		シ リ ア ル N O ラ ベ ル	(WK60980)		
120	--	Pop Label		ポ ッ プ ラ ベ ル	(WJ36950)		
* 130	WJ911300	Pan Head PB Screw	#10 X 1 BLK	鍋 ね じ	(EKY01240)	11	
* 140	WJ493800	TH Sheet Metal Screw	#6X5/8 BLK	ト ラ ス タ ッ プ ね じ	(ETAG1030)	14	
* 150	WJ494200	Pan HD Machine Screw	#10-32X1 BLK	鍋 ね じ	(EKY01000)	8	
* 160	WJ911600	TH SMS Screw	#8 X 3/4 BLACK	ト ラ ス ね じ	(ETAH230)	12	
* 170	WJ911700	Pan Head SM Screw	PHSMS #6X3/4 BLK	鍋 ね じ	(EPAG1230)	4	
200	--	Label		E マ ー ク ラ ベ ル	O (WK53590)		

*: New Parts

RANK: Japan only

OVERALL ASSEMBLY (総組立) : C115VA



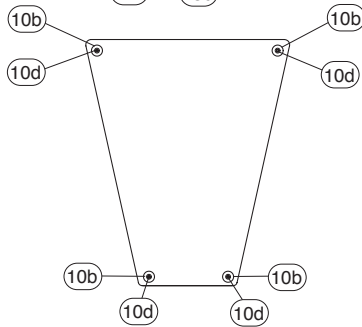
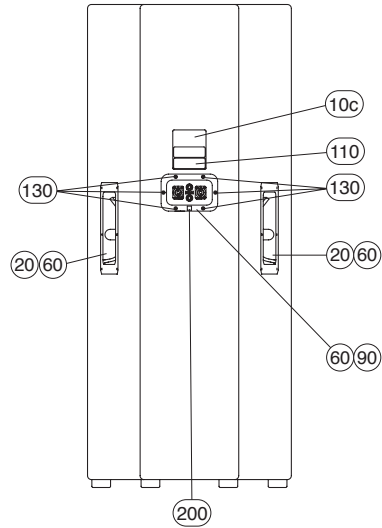
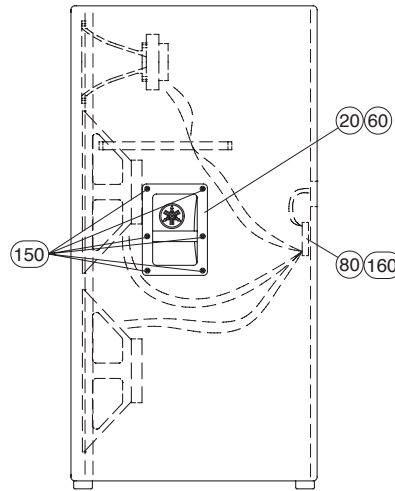
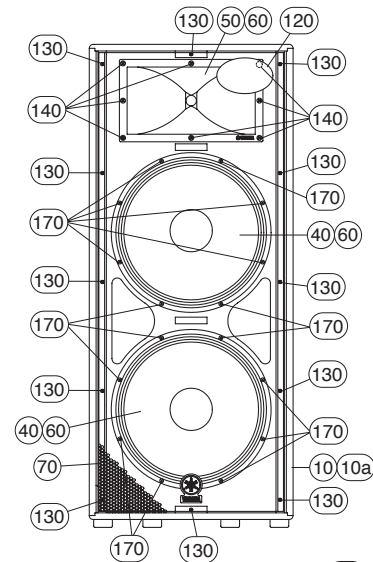
**CLUB Series
SPEAKER SYSTEM/
SUBWOOFER**

REF NO.	PART NO.	DESCRIPTION		部 品 名	REMARKS	QTY	RANK
		OVERALL ASSEMBLY		総 組 立	C115VA		
	--	Overall Assembly	PA J	総 組 立	YJ (WJ38680)		
	--	Overall Assembly	PA CHN	総 組 立	O (WK73620)		
10	--	Cabinet Assembly		キャビネットA s s ' y	(WJ38490)		
10a	--	Cabinet		キャビネット塗装上り	(WJ42330)		
10b	--	Label		注 意 文 ラ ベ ル	(WJ35280)		
* 10c	WJ584900	FH Machining Screw	3/8 -16 X 1-1/4 BL	皿 ね じ	(EFMP2030)	12	
* 10e	WJ584500	Internal Bracket		イ ン タ ー ナ ル 金 具	(AAY02480)	6	
* 40	X8974A00	Woofer	38 8 250	ス ピ ー カ	LF 15" (JAY61300)		
* 50	WJ356400	Horn Assembly	MIPA 8F87	ホ ー ン A s s ' y	(NBY07370)		
* 50a	WJ356100	Horn		ホ ー ン	(CBY05490)		
* 50b	X8454A00	Horn Driver	5.0 16	ス ピ ー カ	HF (JAY20610)		16
* 50b1	WK235000	Diaphragm Assembly		ダイヤフラムA s s ' y	(NBE20610)		
* 50c	WJ356300	Hex Head Mach Screw	1/4 X 5/8 inch T	歯 付 座 金 付 六 角 ボ ル ト	(EKY01340)	2	
* 60	WJ356500	Gasket	9.5	ガ ス ケ ッ ト	(CBY01480)	2	
* 70	WJ364000	Metal Grille Assembly		メタルグリルA s s ' y	(NBY07450)		
70a	--	Metal Grille		メタルグリル	(WJ36630)		
* 70b	WJ370400	Logo Badge		ロ ゴ バ ッ ジ	(CBY05500)		
* 70c	WJ370500	Push Nut		プ ッ シ ュ ナ ッ ト	(AAX52740)	2	
70d	--	Urethane Foam		ウレタンフォーム	(WJ36720)		
* 80	WJ368300	Cross-Over Network	15A	ネ ッ ト ワ ー ク	(NBY07340)		
* 90	WJ584700	Input Assembly A	PA 8F97	イ ン プ ッ ト A s s ' y A	(NBY07380)		
90a	--	Input Panel A		イ ン プ ッ ト パ ネ ル A	(WJ58480)		
* 90b	WJ584600	Barrier Strip	2P	バ リ ア ス ト リ ッ プ	(LAY00170)		
* 90c	WJ971600	Pan HD Machine Screw	PHMS #6-32X1/2 BLK	鍋 小 ね じ	(EPMG0830)	2	
* 90d	WJ542400	Keps Nut	#6-32	歯 付 座 金 ナ ッ ト # 6	(EKY00940)	2	
110	--	Serial Label		シ リ ア ル N O ラ ベ ル	(WK60990)		
120	--	Pop Label		ポ ッ プ ラ ベ ル	(WJ36960)		
* 130	WJ911300	Pan Head PB Screw	#10 X 1 BLK	鍋 ね じ	(EKY01240)	8	
* 140	WJ493800	TH Sheet Metal Screw	#6X5/8 BLK	ト ラ ス タ ッ プ ね じ	(ETAG1030)	14	
* 150	WJ494200	Pan HD Machine Screw	#10-32X1 BLK	鍋 ね じ	(EKY01000)	8	
* 170	WJ911700	Pan Head SM Screw	PHSMS #6X3/4 BLK	鍋 ね じ	(EPAG1230)	4	
200	--	Label		E マ ー ク ラ ベ ル	O (WK53590)		
		ACCESSORY		付 属 品			
* 1	WJ585000	Eye Bolt	3/8inch	ア イ ボ ル ト	(AAY01960)	4	

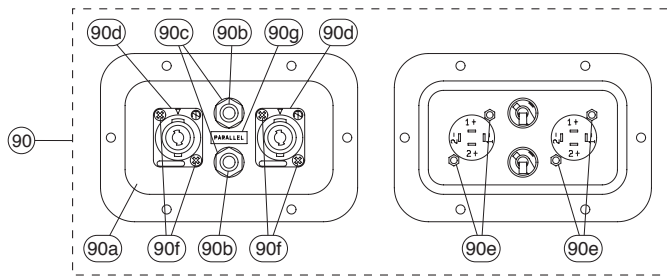
*: New Parts

RANK: Japan only

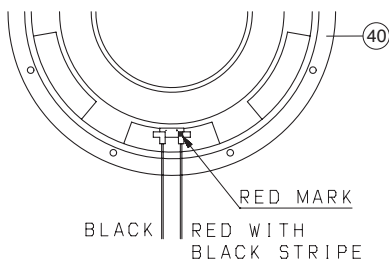
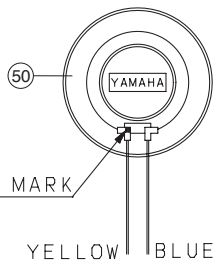
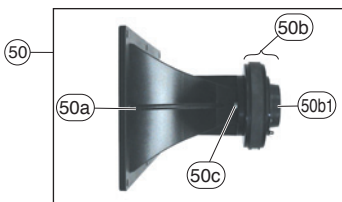
OVERALL ASSEMBLY (総組立) : C215V



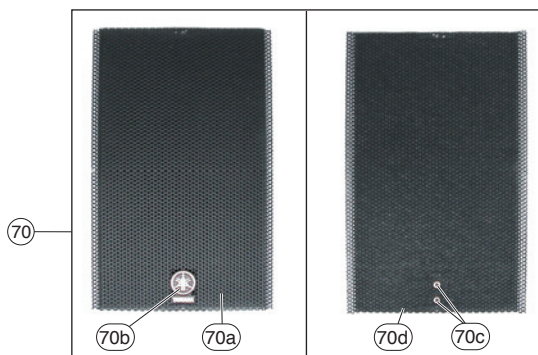
● Input Assembly



● Horn Assembly

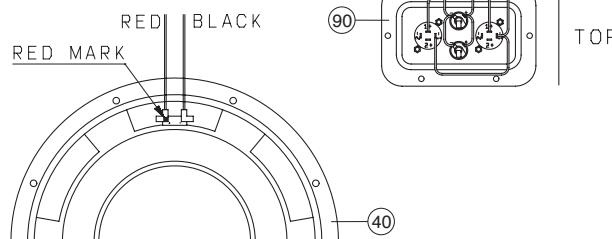


● Metal Grille Assembly



FROM CROSSOVER NETWORK

ORANGE (NAKED TERMINAL) ORANGE (COVERED TERMINAL)
 WHITE (NAKED TERMINAL) WHITE (COVERED TERMINAL)



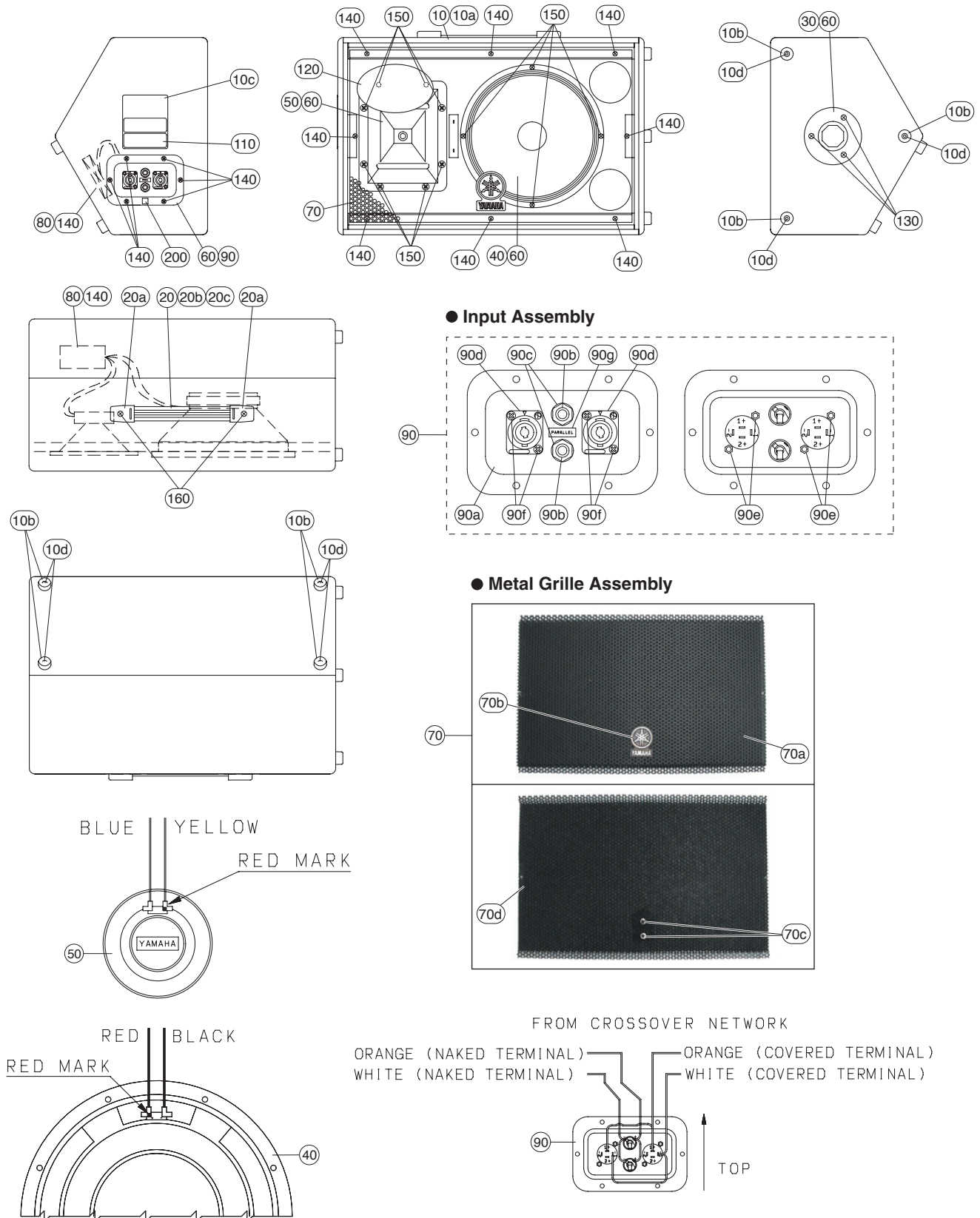
**CLUB Series
SPEAKER SYSTEM/
SUBWOOFER**

REF NO.	PART NO.	DESCRIPTION		部 品 名	REMARKS	QTY	RANK
		OVERALL ASSEMBLY		総 組 立	C215V		
	--	Overall Assembly	PA J	総 組 立	Y (WJ38690)		
	--	Overall Assembly	PA CHN	総 組 立	O (WK73630)		
10	--	Cabinet Assembly		キャビネット A s s ' y	(WJ38500)		
10a	--	Cabinet		キャビネット 塗装上り	(WJ42340)		
* 10b	WJ352700	Rubber Foot		ゴ ム 脚	(CBY03890)	4	
10c	--	Label		注 意 文 ラ ベ ル	(WJ35280)		
* 10d	WJ911300	Pan Head PB Screw	#10 X 1 BLK	鍋 ね じ	(EKY01240)	4	
* 20	WJ213700	Metal Handle		メ タ ル ハ ン ド ル	(AAY02580)	2	
* 40	X8974A00	Woofers	38 8 250	ス ピ ー カ	LF 15" (JAY61300)	2	
* 50	WJ356400	Horn Assembly	MIPA 8F87	ホ ー ン A s s ' y	(NBY07370)		
* 50a	WJ356100	Horn		ホ ー ン	(CBY05490)		
* 50b	X8454A00	Horn Driver	5.0 16	ス ピ ー カ	HF (JAY20610)		
* 50b1	WK235000	Diaphragm Assembly		ダイヤフラム A s s ' y	(NBE20610)		16
* 50c	WJ356300	Hex Head Mach Screw	1/4 X 5/8 inch T	歯 付 座 金 付 六 角 ボ ル ト	(EKY01340)	2	
* 60	WJ356500	Gasket	9.5	ガ ス ケ ッ ト	(CBY01480)		
* 70	WJ364100	Metal Grille Assembly		メ タ ル グ リ ル A s s ' y	(NBY07460)		
70a	--	Metal Grille		メ タ ル グ リ ル	(WJ36640)		
* 70b	WJ370400	Logo Badge		ロ ゴ バ ッ ジ	(CBY05500)		
* 70c	WJ370500	Push Nut		プ ッ シ ュ ナ ッ ト	(AAX52740)	2	
70d	--	Urethane Foam		ウ レ タ ン フ ォ ー ム	(WJ36730)		
* 80	WJ368100	Cross-Over Network	215	ネ ッ ト ワ ー ク	(NBY07330)		
* 90	WJ370600	Input Assembly	PA 8F87	イ ン プ ッ ト A s s ' y	(NBY07360)		
90a	--	Input Panel		イ ン プ ッ ト パ ネ ル	(WJ37090)		
* 90b	WJ371200	Phone Jack	PA	ホ ー ン ジャ ッ ク	(LBY00150)	2	
* 90c	WJ371700	Plain Washer	3/8inch	平 座 金	(EWPP0010)	2	
* 90d	WJ371800	Connector NL4MP	4P NL4MP	コ ネ ク タ N L 4 M P	(LAY00180)	2	
* 90e	WJ372000	Hexagonal Nut	#4-40 NYLOK NUT	六 角 ナ ッ ト	(EKY01540)	4	
* 90f	WJ372100	FH Machining Screw	#4-40X3/8 ZN BL	皿 ね じ	(EFME0630)	4	
90g	--	Decal		デ カ ー ル	(WJ37220)		
110	--	Serial Label		シ リ ア ル N O ラ ベ ル	(WK61000)		
120	--	Pop Label		ポ ッ プ ラ ベ ル	(WJ36970)		
* 130	WJ493800	TH Sheet Metal Screw	#6X5/8 BLK	ト ラ ス タ ッ プ ね じ	(ETAG1030)	18	
* 140	WJ494200	Pan HD Machine Screw	#10-32X1 BLK	鍋 ね じ	(EKY01000)	8	
* 150	WJ911600	TH SMS Screw	#8 X 3/4 BLACK	ト ラ ス ね じ	(ETAH1230)	12	
* 160	WJ911700	Pan Head SM Screw	PHSMS #6X3/4 BLK	鍋 ね じ	(EPAG1230)	6	
* 170	WJ624200	Pan HD Machine Screw	#10-32X1-1/2	鍋 ね じ	(EKY00340)	16	
200	--	Label		E マ ー ク ラ ベ ル	O (WK53590)		

*: New Parts

RANK: Japan only

OVERALL ASSEMBLY (総組立) : CM10V



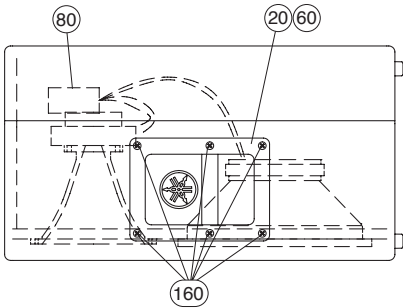
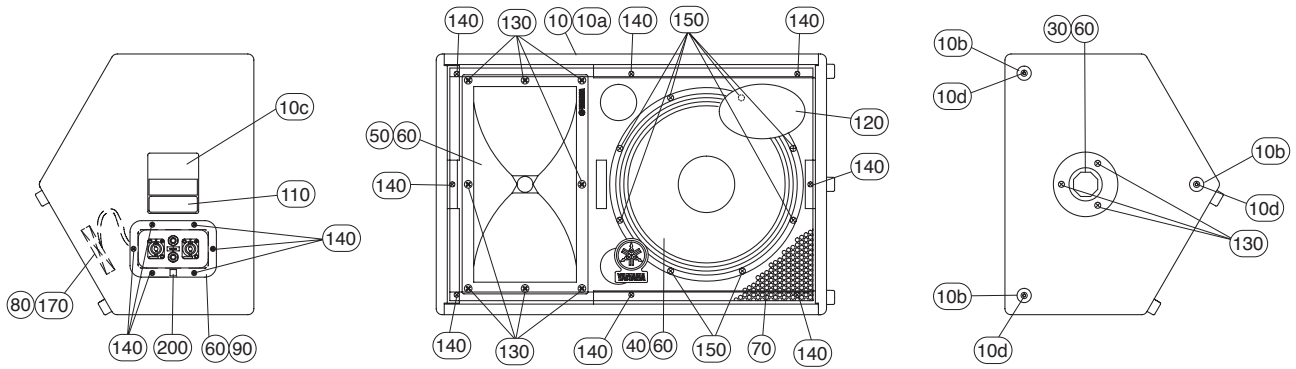
**CLUB Series
SPEAKER SYSTEM/
SUBWOOFER**

REF NO.	PART NO.	DESCRIPTION		部 品 名	REMARKS	QTY	RANK
		OVERALL ASSEMBLY		総 組 立	CM10V		
	--	Overall Assembly	PA J	総 組 立	Y (WJ38700)		
	--	Overall Assembly	PA CHN	総 組 立	O (WK73640)		
10	--	Cabinet Assembly		キャビネット A s s ' y	(WJ38510)		
10a	--	Cabinet		キャビネット 塗装上り	(WJ42350)		
* 10b	WJ352600	Rubber Foot		ゴ ム 脚	(CBY01890)	7	
10c	--	Label		注 意 文 ラ ベ ル	(WJ35280)		
* 10d	WJ911300	Pan Head PB Screw	#10 X 1 BLK	鍋 ね じ	(EKY01240)	7	
20	--	Handle Assembly	PA	ハ ン ド ル A s s ' y	(WJ44130)		
* 20a	WJ441400	Strap Handle Bracket		ハ ン ド ル ブ ラ ケ ッ ト	(AAY02120)	2	
* 20b	WJ441500	Strap Handle		ス ト ラ ッ プ ハ ン ド ル	(CBY01900)		
* 20c	WJ441600	Strap Handle Insert		ハ ン ド ル イ ン サ ー ト	(AAY01200)		
* 30	WJ355400	Pole Socket	TSM	ポ ー ル ソ ケ ッ ト	(CBY03910)		
* 40	X8455A00	Woofers	25 8 125	ス ピ ー カ	LF 10" (JAY40400)		
* 50	X8453A00	Tweeter	2.5 8	ス ピ ー カ	HF (JAY31100)		
* 60	WJ356500	Gasket	9.5	ガ ス ケ ッ ト	(CBY01480)		
* 70	WJ364200	Metal Grille Assembly		メ タ ル グ リ ル A s s ' y	(NBY07470)		
70a	--	Metal Grille		メ タ ル グ リ ル	(WJ36650)		
* 70b	WJ370400	Logo Badge		ロ ゴ バ ッ ジ	(CBY05500)		
* 70c	WJ370500	Push Nut		プ ッ シ ュ ナ ッ ト	(AAX52740)	2	
70d	--	Urethane Foam		ウ レ タ ン フ ォ ー ム	(WJ36740)		
* 80	WJ368000	Cross-Over Network	10	ネ ッ ト ワ ー ク	(NBY07320)		
* 90	WJ370600	Input Assembly	PA 8F87	イ ン プ ッ ト A s s ' y	(NBY07360)		
90a	--	Input Panel		イ ン プ ッ ト パ ネ ル	(WJ37090)		
* 90b	WJ371200	Phone Jack	PA	ホ ー ン ジャ ッ ク	(LBY00150)	2	
* 90c	WJ371700	Plain Washer	3/8inch	平 座 金	(EWPP0010)	2	
* 90d	WJ371800	Connector NL4MP	4P NL4MP	コ ネ ク タ N L 4 M P	(LAY00180)	2	
* 90e	WJ372000	Hexagonal Nut	#4-40 NYLOK NUT	六 角 ナ ッ ト	(EKY01540)	4	
* 90f	WJ372100	FH Machining Screw	#4-40X3/8 ZN BL	皿 ね じ	(EFME0630)	4	
90g	--	Decal		デ カ ー ル	(WJ37220)		
110	--	Serial Label		シ リ アル N O ラ ベ ル	(WK61010)		
120	--	Pop Label		ポ ッ プ ラ ベ ル	(WJ36980)		
* 130	WJ911300	Pan Head PB Screw	#10 X 1 BLK	鍋 ね じ	(EKY01240)	3	
* 140	WJ493800	TH Sheet Metal Screw	#6X5/8 BLK	ト ラ ス タ ッ プ ね じ	(ETAG1030)	18	
* 150	WJ911500	Pan Head PB Screw	PHPBS #8X1 BLK	鍋 ね じ	(EKY01460)	12	
* 160	WJ911800	OH Machine Screw	OHMS#10-32X1-1/4BL	小 ね じ	(EKY01260)	2	
200	--	Label		E マ ー ク ラ ベ ル	O (WK53590)		

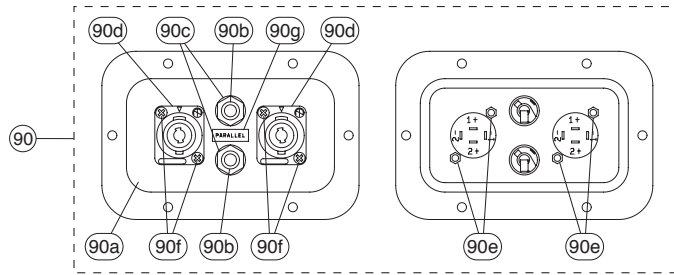
*: New Parts

RANK: Japan only

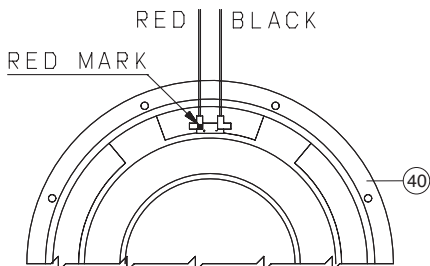
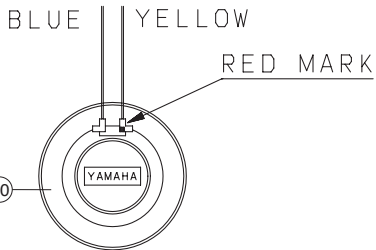
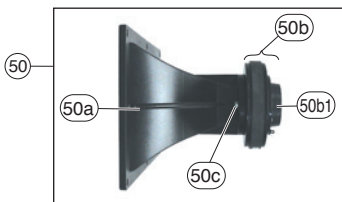
OVERALL ASSEMBLY (総組立) : CM12V



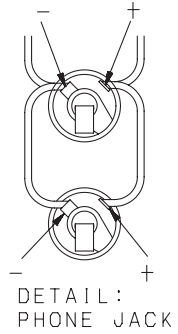
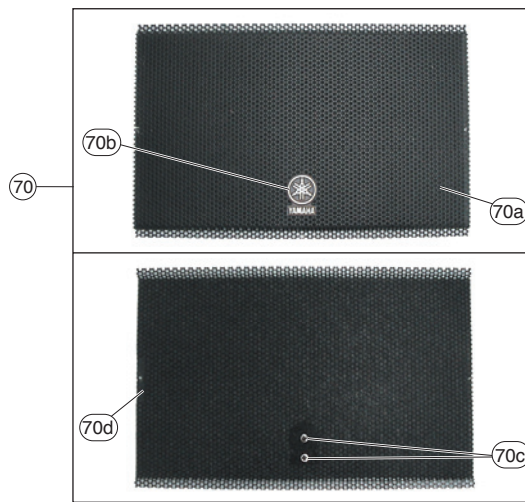
● Input Assembly



● Horn Assembly

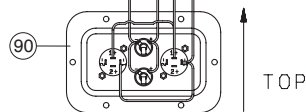


● Metal Grille Assembly



FROM CROSSOVER NETWORK

ORANGE (NAKED TERMINAL) + ORANGE (COVERED TERMINAL) 1+
 WHITE (NAKED TERMINAL) - WHITE (COVERED TERMINAL) 1-



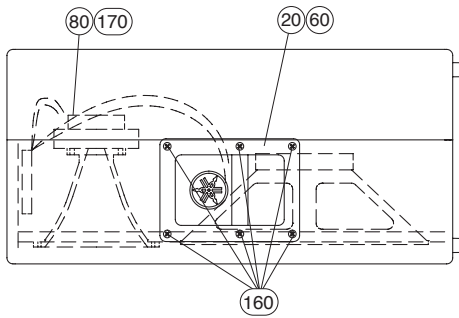
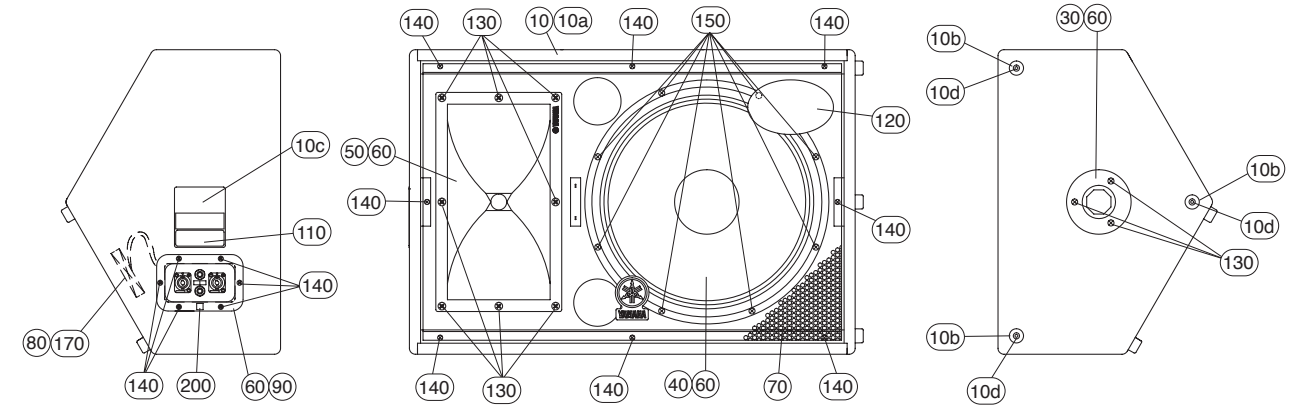
**CLUB Series
SPEAKER SYSTEM/
SUBWOOFER**

REF NO.	PART NO.	DESCRIPTION		部 品 名	REMARKS	QTY	RANK
		OVERALL ASSEMBLY		総 組 立	CM12V		
	--	Overall Assembly	PA J	総 組 立	Y (WJ38710)		
	--	Overall Assembly	PA CHN	総 組 立	O (WK73650)		
10	--	Cabinet Assembly		キャビネット A s s ' y	(WJ38520)		
10a	--	Cabinet		キャビネット 塗装上り	(WJ42360)		
* 10b	WJ352600	Rubber Foot		ゴ ム 脚	(CBY01890)	7	
10c	--	Label		注 意 文 ラ ベ ル	(WJ35280)		
* 10d	WJ911300	Pan Head PB Screw	#10 X 1 BLK	鍋 ね じ	(EKY01240)	7	
* 20	WJ213700	Metal Handle		メ タ ル ハ ン ド ル	(AAY02580)		
* 30	WJ355400	Pole Socket	TSM	ポ ー ル ソ ケ ッ ト	(CBY03910)		
* 40	X8456A00	Woofer	30 8 175	ス ピ ー カ	LF 12" (JAY51200)		
* 50	WJ356400	Horn Assembly	MIPA 8F87	ホ ー ン A s s ' y	(NBY07370)		
* 50a	WJ356100	Horn		ホ ー ン	(CBY05490)		
* 50b	X8454A00	Horn Driver	5.0 16	ス ピ ー カ	HF (JAY20610)		
* 50b1	WK235000	Diaphragm Assembly		ダ イ ヤ フ ラ ム A s s ' y	(NBE20610)		16
* 50c	WJ356300	Hex Head Mach Screw	1/4 X 5/8 inch T	歯 付 座 金 付 六 角 ボ ル ト	(EKY01340)	2	
* 60	WJ356500	Gasket	9.5	ガ ス ケ ッ ト	(CBY01480)		
* 70	WJ364300	Metal Grille Assembly		メ タ ル グ リ ル A s s ' y	(NBY07480)		
70a	--	Metal Grille		メ タ ル グ リ ル	(WJ36660)		
* 70b	WJ370400	Logo Badge		ロ ゴ バ ッ ジ	(CBY05500)		
* 70c	WJ370500	Push Nut		プ ッ シ ュ ナ ッ ト	(AAX52740)	2	
70d	--	Urethane Foam		ウ レ タ ン フ ォ ー ム	(WJ36710)		
* 80	WJ367900	Cross-Over Network	12	ネ ッ ト ワ ー ク	(NBY07310)		
* 90	WJ370600	Input Assembly	PA 8F87	イ ン プ ッ ト A s s ' y	(NBY07360)		
90a	--	Input Panel		イ ン プ ッ ト パ ネ ル	(WJ37090)		
* 90b	WJ371200	Phone Jack	PA	ホ ー ン ジ ャ ッ ク	(LBY00150)	2	
* 90c	WJ371700	Plain Washer	3/8inch	平 座 金	(EWPP0010)	2	
* 90d	WJ371800	Connector NL4MP	4P NL4MP	コ ネ ク タ N L 4 M P	(LAY00180)	2	
* 90e	WJ372000	Hexagonal Nut	#4-40 NYLOK NUT	六 角 ナ ッ ト	(EKY01540)	4	
* 90f	WJ372100	FH Machining Screw	#4-40X3/8 ZN BL	皿 ね じ	(EFME0630)	4	
90g	--	Decal		デ カ ー ル	(WJ37220)		
110	--	Serial Label		シ リ ア ル N O ラ ベ ル	(WK61020)		
120	--	Pop Label		ポ ッ プ ラ ベ ル	(WJ36990)		
* 130	WJ911300	Pan Head PB Screw	#10 X 1 BLK	鍋 ね じ	(EKY01240)	11	
* 140	WJ493800	TH Sheet Metal Screw	#6X5/8 BLK	ト ラ ス タ ッ プ ね じ	(ETAG1030)	14	
* 150	WJ911500	Pan Head PB Screw	PHPBS #8X1 BLK	鍋 ね じ	(EKY01460)	8	
* 160	WJ911600	TH SMS Screw	#8 X 3/4 BLACK	ト ラ ス ね じ	(ETAH1230)	6	
* 170	WJ911700	Pan Head SM Screw	PHSMS #6X3/4 BLK	鍋 ね じ	(EPAG1230)	4	
200	--	Label		E マ ー ク ラ ベ ル	O (WK53590)		

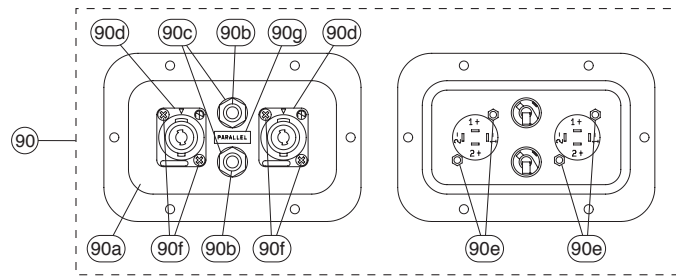
*: New Parts

RANK: Japan only

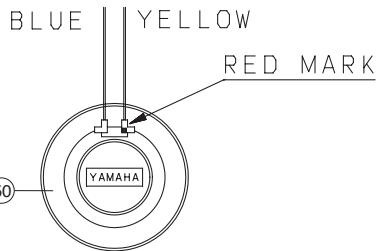
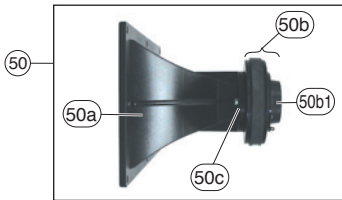
OVERALL ASSEMBLY (総組立) : CM15V



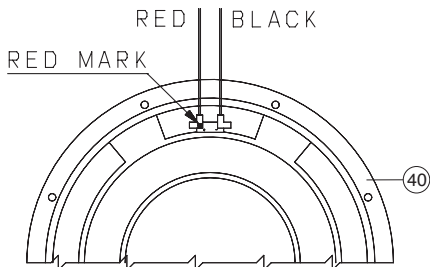
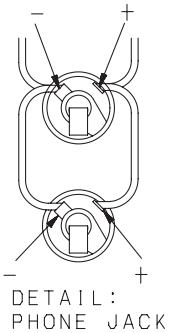
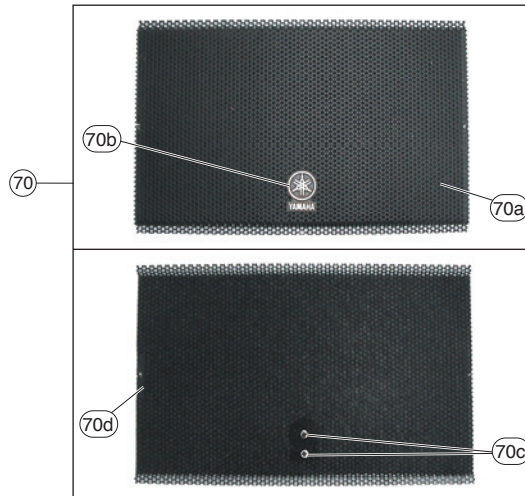
Input Assembly



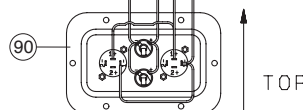
Horn Assembly



Metal Grille Assembly



FROM CROSSOVER NETWORK
ORANGE (NAKED TERMINAL) +
WHITE (NAKED TERMINAL) -
ORANGE (COVERED TERMINAL) 1+
WHITE (COVERED TERMINAL) 1-



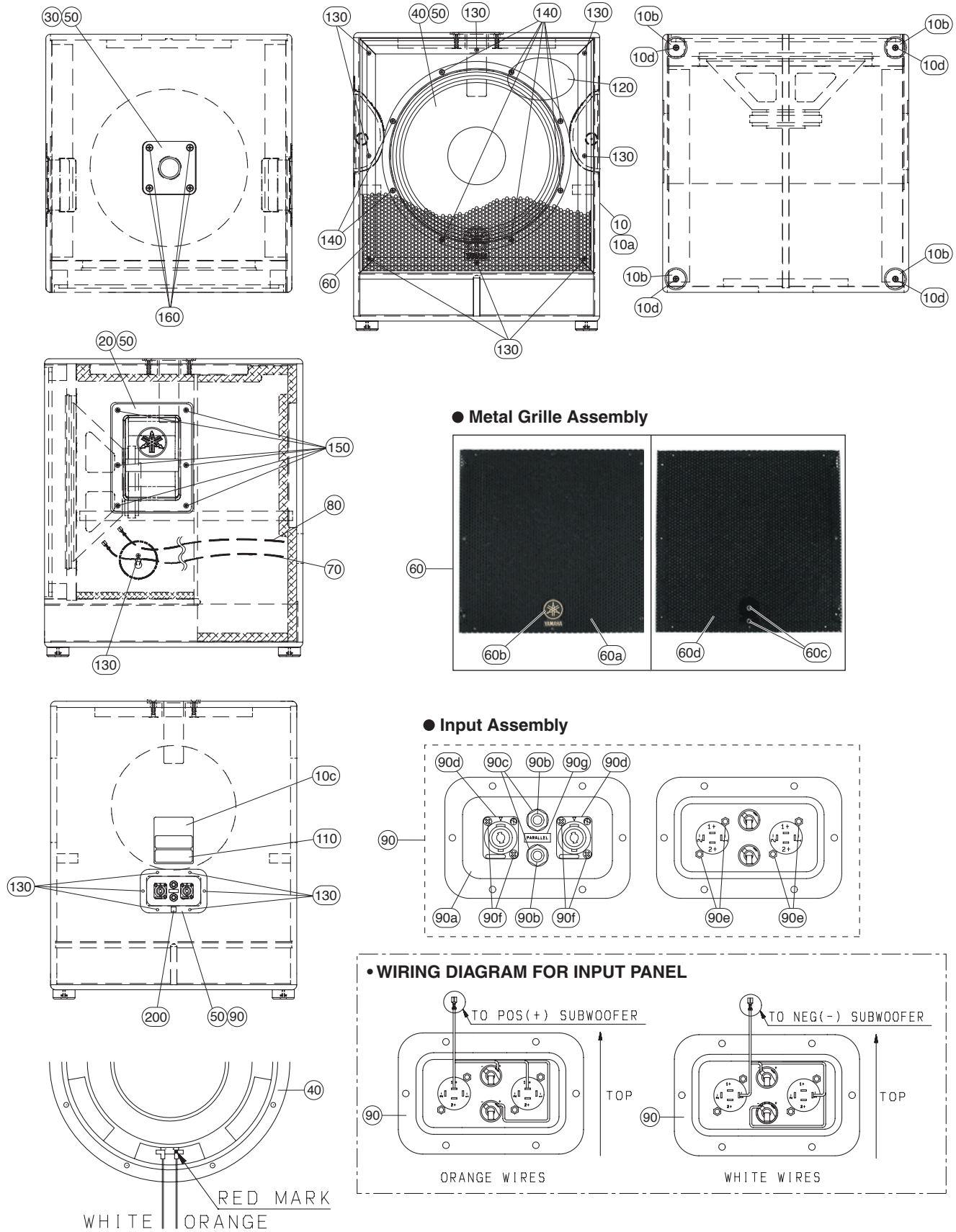
**CLUB Series
SPEAKER SYSTEM/
SUBWOOFER**

REF NO.	PART NO.	DESCRIPTION		部 品 名	REMARKS	QTY	RANK
		OVERALL ASSEMBLY		総 組 立	CM15V		
	--	Overall Assembly	PA J	総 組 立	Y (WJ38720)		
	--	Overall Assembly	PA CHN	総 組 立	O (WK73660)		
10	--	Cabinet Assembly		キャビネット A s s ' y	(WJ38530)		
10a	--	Cabinet		キャビネット 塗装上り	(WJ42370)		
* 10b	WJ352600	Rubber Foot		ゴ ム 脚	(CBY01890)	7	
10c	--	Label		注 意 文 ラ ベ ル	(WJ35280)		
* 10d	WJ911300	Pan Head PB Screw	#10 X 1 BLK	鍋 ね じ	(EKY01240)	7	
* 20	WJ213700	Metal Handle		メ タ ル ハ ン ド ル	(AAY02580)		
* 30	WJ355400	Pole Socket	TSM	ポ ー ル ソ ケ ッ ト	(CBY03910)		
* 40	X8974A00	Woofer	38 8 250	ス ピ ー カ	LF 15" (JAY61300)		
* 50	WJ356400	Horn Assembly	MIPA 8F87	ホ ー ン A s s ' y	(NBY07370)		
* 50a	WJ356100	Horn		ホ ー ン	(CBY05490)		
* 50b	X8454A00	Horn Driver	5.0 16	ス ピ ー カ	HF (JAY20610)		
* 50b1	WK235000	Diaphragm Assembly		ダ イ ヤ フ ラ ム A s s ' y	(NBE20610)		16
* 50c	WJ356300	Hex Head Mach Screw	1/4 X 5/8 inch T	歯 付 座 金 付 六 角 ボ ル ト	(EKY01340)	2	
* 60	WJ356500	Gasket	9.5	ガ ス ケ ッ ト	(CBY01480)		
* 70	WJ364400	Metal Grille Assembly		メ タ ル グ リ ル A s s ' y	(NBY07490)		
70a	--	Metal Grille		メ タ ル グ リ ル	(WJ36670)		
* 70b	WJ370400	Logo Badge		ロ ゴ バ ッ ジ	(CBY05500)		
* 70c	WJ370500	Push Nut		プ ッ シ ュ ナ ッ ト	(AAX52740)	2	
70d	--	Urethane Foam		ウ レ タ ン フ ォ ー ム	(WJ36720)		
* 80	WJ367800	Cross-Over Network	15	ネ ッ ト ワ ー ク	(NBY07300)		
* 90	WJ370600	Input Assembly	PA 8F87	イ ン プ ッ ト A s s ' y	(NBY07360)		
90a	--	Input Panel		イ ン プ ッ ト パ ネ ル	(WJ37090)		
* 90b	WJ371200	Phone Jack	PA	ホ ー ン ジ ャ ッ ク	(LBY00150)	2	
* 90c	WJ371700	Plain Washer	3/8inch	平 座 金	(EWPP0010)	2	
* 90d	WJ371800	Connector NL4MP	4P NL4MP	コ ネ ク タ N L 4 M P	(LAY00180)	2	
* 90e	WJ372000	Hexagonal Nut	#4-40 NYLOK NUT	六 角 ナ ッ ト	(EKY01540)	4	
* 90f	WJ372100	FH Machining Screw	#4-40X3/8 ZN BL	皿 ね じ	(EFME0630)	4	
90g	--	Decal		デ カ ー ル	(WJ37220)		
110	--	Serial Label		シ リ ア ル N O ラ ベ ル	(WK61030)		
120	--	Pop Label		ポ ッ プ ラ ベ ル	(WJ37000)		
* 130	WJ911300	Pan Head PB Screw	#10 X 1 BLK	鍋 ね じ	(EKY01240)	11	
* 140	WJ493800	TH Sheet Metal Screw	#6X5/8 BLK	ト ラ ス タ ッ プ ね じ	(ETAG1030)	14	
* 150	WJ494200	Pan HD Machine Screw	#10-32X1 BLK	鍋 ね じ	(EKY01000)	8	
* 160	WJ911600	TH SMS Screw	#8 X 3/4 BLACK	ト ラ ス ね じ	(ETAH230)	6	
* 170	WJ911700	Pan Head SM Screw	PHSMS #6X3/4 BLK	鍋 ね じ	(EPAG1230)	4	
200	--	Label		E マ ー ク ラ ベ ル	O (WK53590)		

*: New Parts

RANK: Japan only

OVERALL ASSEMBLY (総組立) : CW115V



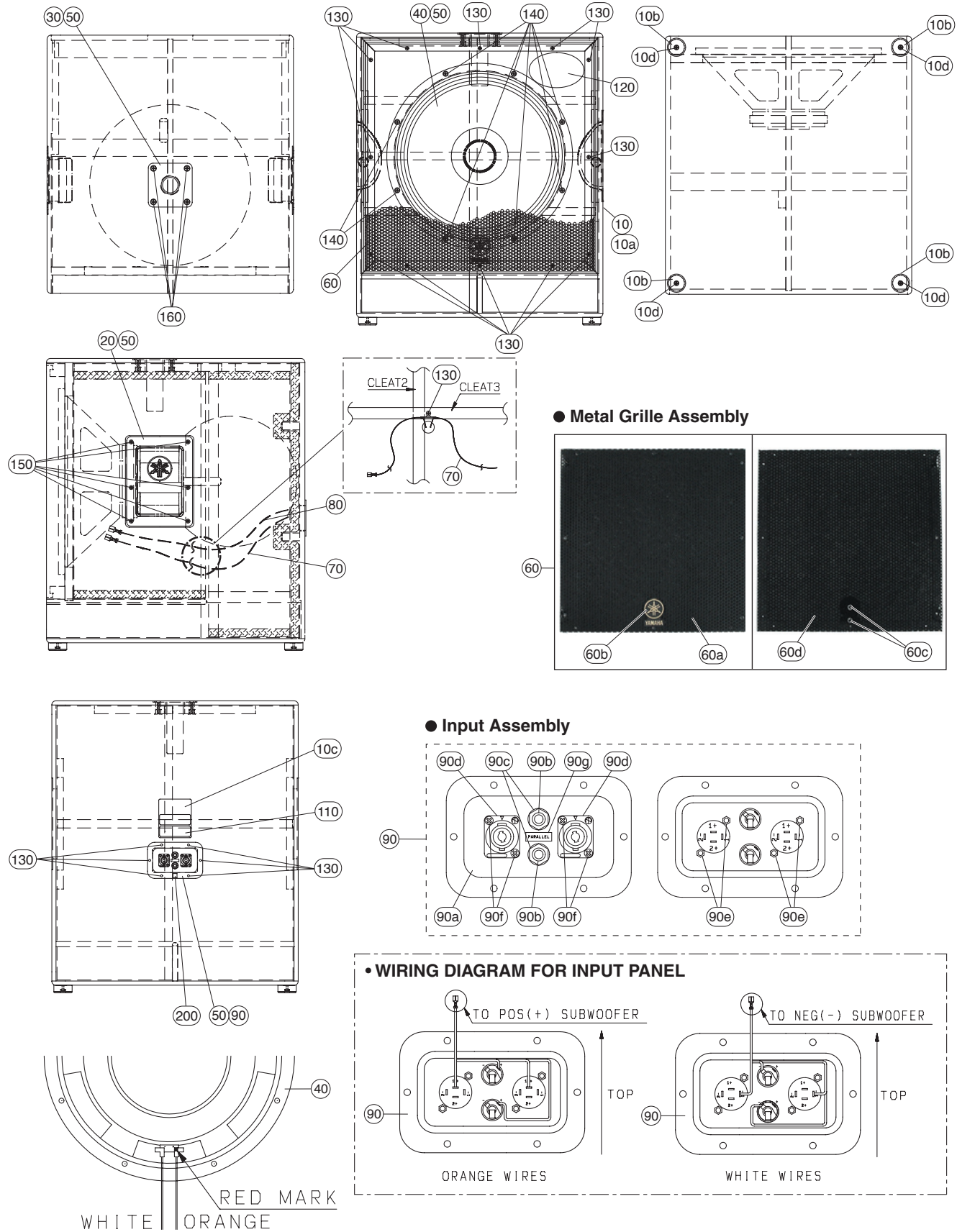
CLUB Series
SPEAKER SYSTEM/
SUBWOOFER

REF NO.	PART NO.	DESCRIPTION		部 品 名	REMARKS	QTY	RANK
		OVERALL ASSEMBLY		総 組 立	CW115V		
	--	Overall Assembly	PA J	総 組 立	Y (WJ38730)		
	--	Overall Assembly	PA CHN	総 組 立	O (WK73670)		
10	--	Cabinet Assembly		キャビネット A s s ' y	(WJ38540)		
10a	--	Cabinet		キャビネット 塗装 上り	(WJ42380)		
* 10b	WJ352700	Rubber Foot		ゴ ム 脚	(CBY03890)	4	
10c	--	Label		注 意 文 ラ ベ ル	(WJ35280)		
* 10d	WJ494200	Pan Head PB Screw	#10-32X1 BLK	鍋 ね じ		4	
* 20	WJ213700	Metal Handle		メ タ ル ハ ン ド ル	(AAY02580)	2	
* 30	WJ355700	Pole Socket	TOP HAT	ポ ー ル ソ ケ ッ ト	(AAY02820)		
* 40	X8975A00	Woofer	38 8 250	ス ピ ー カ	LF 15" (JAY61600)		
* 50	WJ356500	Gasket	9.5	ガ ス ケ ッ ト	(CBY01480)		
* 60	WJ364500	Metal Grille Assembly		メ タ ル グ リ ル A s s ' y	(NBY07500)		
60a	--	Metal Grille		メ タ ル グ リ ル	(WJ36680)		
* 60b	WJ370400	Logo Badge		ロ ゴ バ ッ ジ	(CBY05500)		
* 60c	WJ370500	Push Nut		プ ッ シ ュ ナ ッ ト	(AAX52740)	2	
60d	--	Urethane Foam		ウ レ タ ン フ ォ ー ム	(WJ36750)		
* 70	WJ419900	Wire Harness A		束 線 A	with Poly Switch (MZY01470)		
80	--	Wire Harness B		束 線 B	(WJ42000)		
* 90	WJ370600	Input Assembly	PA 8F87	イ ン プ ッ ト A s s ' y	(NBY07360)		
90a	--	Input Panel		イ ン プ ッ ト パ ネ ル	(WJ37090)		
* 90b	WJ371200	Phone Jack	PA	ホ ー ン ジ ャ ッ ク	(LBY00150)	2	
* 90c	WJ371700	Plain Washer	3/8inch	平 座 金	(EWPP0010)	2	
* 90d	WJ371800	Connector NL4MP	4P NL4MP	コ ネ ク タ N L 4 M P	(LAY00180)	2	
* 90e	WJ372000	Hexagonal Nut	#4-40 NYLOK NUT	六 角 ナ ッ ト	(EKY01540)	4	
* 90f	WJ372100	FH Machining Screw	#4-40X3/8 ZN BL	皿 ね じ	(EFME0630)	4	
90g	--	Decal		デ カ ー ル	(WJ37220)		
110	--	Serial Label		シ リ ア ル N O ラ ベ ル	(WK61040)		
120	--	Pop Label		ポ ッ プ ラ ベ ル	(WJ37010)		
* 130	WJ493800	TH Sheet Metal Screw	#6X5/8 BLK	ト ラ ス タ ッ プ ね じ	(ETAG1030)	15	
* 140	WJ624200	Pan HD Machine Screw	#10-32X1-1/2	鍋 ね じ	(EKY00340)	8	
* 150	WJ911600	TH SMS Screw	#8 X 3/4 BLACK	ト ラ ス ね じ	(ETAH1230)	12	
* 160	WJ494300	FLH Machine Screw	1/4X1-1/4 BLK	皿 ね じ	(EFMN2030)	4	
200	--	Label		E マ ー ク ラ ベ ル	O (WK53590)		

*: New Parts

RANK: Japan only

OVERALL ASSEMBLY (総組立) : CW118V



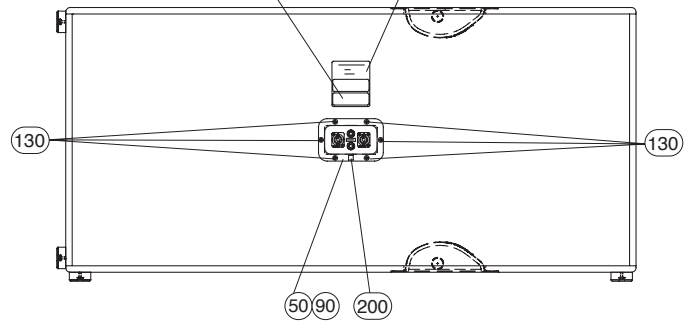
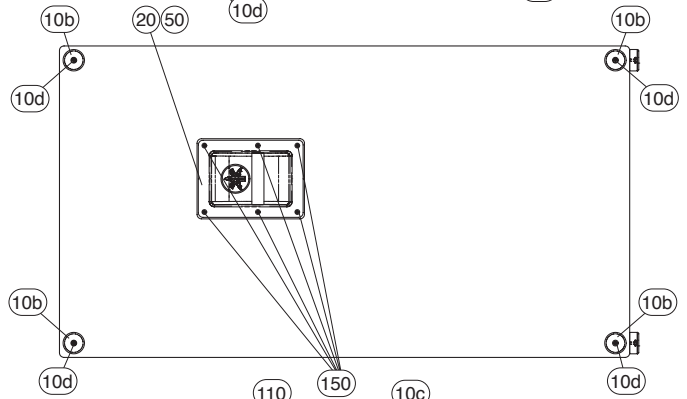
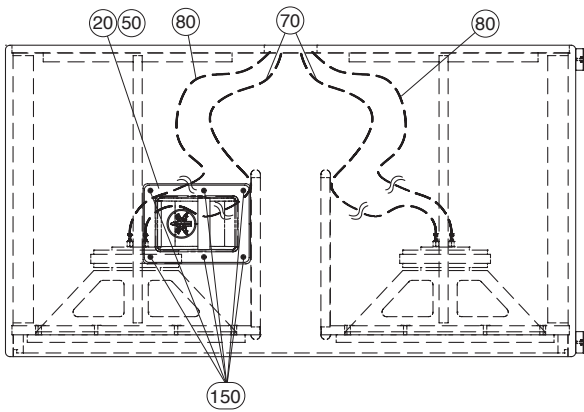
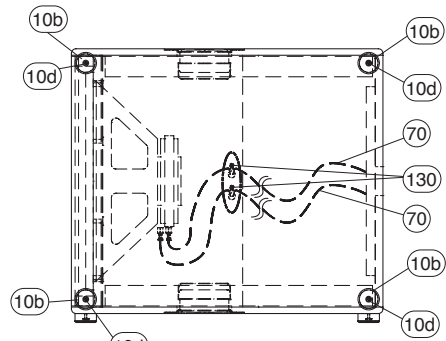
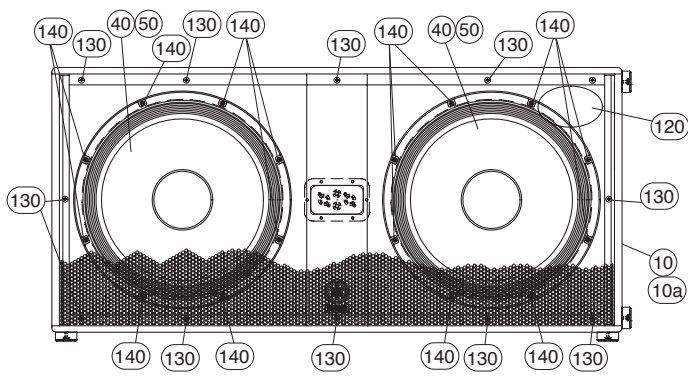
**CLUB Series
SPEAKER SYSTEM/
SUBWOOFER**

REF NO.	PART NO.	DESCRIPTION		部 品 名	REMARKS	QTY	RANK
		OVERALL ASSEMBLY		総 組 立	CW118V		
	--	Overall Assembly	PA J	総 組 立	Y (WJ38740)		
	--	Overall Assembly	PA CHN	総 組 立	O (WK73680)		
10	--	Cabinet Assembly		キャビネット A s s ' y	(WJ38550)		
10a	--	Cabinet		キャビネット 塗装 上り	(WJ42390)		
* 10b	WJ352700	Rubber Foot		ゴ ム 脚	(CBY03890)	4	
10c	--	Label		注 意 文 ラ ベ ル	(WJ35280)		
* 10d	WJ494200	Pan Head PB Screw	#10-32X1 BLK	鍋 ね じ	(EKY01000)	4	
* 20	WJ213700	Metal Handle	8F87	メ タ ル ハ ン ド ル	(AAY02580)	2	
* 30	WJ355700	Pole Socket	TOP HAT	ポ ー ル ソ ケ ッ ト	(AAY02820)		
* 40	X8976A00	Woofer	45 8 300	ス ピ ー カ	LF 18" (JAY70100)		
* 50	WJ356500	Gasket	9.5	ガ ス ケ ッ ト	(CBY01480)		
* 60	WJ364600	Metal Grille Assembly		メ タ ル グ リ ル A s s ' y	(NBY07510)		
60a	--	Metal Grille		メ タ ル グ リ ル	(WJ36690)		
* 60b	WJ370400	Logo Badge		ロ ゴ バ ッ ジ	(CBY05500)		
* 60c	WJ370500	Push Nut		プ ッ シ ュ ナ ッ ト	(AAX52740)	2	
60d	--	Urethane Foam		ウ レ タ ン フ ォ ー ム	(WJ36760)		
* 70	WJ419900	Wire Harness A		束 線 A	with Poly Switch (MZY01470)		
80	--	Wire Harness B		束 線 B	(WJ42000)		
* 90	WJ370600	Input Assembly	PA 8F87	イ ン プ ッ ト A s s ' y	(NBY07360)		
90a	--	Input Panel		イ ン プ ッ ト パ ネ ル	(WJ37090)		
* 90b	WJ371200	Phone Jack	PA	ホ ー ン ジ ャ ッ ク	(LBY00150)	2	
* 90c	WJ371700	Plain Washer	3/8inch	平 座 金	(EWPP0010)	2	
* 90d	WJ371800	Connector NL4MP	4P NL4MP	コ ネ ク タ N L 4 M P	(LAY00180)	2	
* 90e	WJ372000	Hexagonal Nut	#4-40 NYLOK NUT	六 角 ナ ッ ト	(EKY01540)	4	
* 90f	WJ372100	FH Machining Screw	#4-40X3/8 ZN BL	皿 ね じ	(EFME0630)	4	
90g	--	Decal		デ カ ー ル	(WJ37220)		
110	--	Serial Label		シ リ ア ル N O ラ ベ ル	(WK61050)		
120	--	Pop Label		ポ ッ プ ラ ベ ル	(WJ37020)		
* 130	WJ493800	TH Sheet Metal Screw	#6X5/8 BLK	ト ラ ス タ ッ プ ね じ	(ETAG1030)	19	
* 140	WJ624200	Pan HD Machine Screw	#10-32X1-1/2	鍋 ね じ	(EKY00340)	8	
* 150	WJ911600	TH SMS Screw	#8 X 3/4 BLACK	ト ラ ス ね じ	(ETAH1230)	12	
* 160	WJ494300	FLH Machine Screw	1/4X1-1/4 BLK	皿 ね じ	(EFMN2030)	4	
200	--	Label		E マ ー ク ラ ベ ル	O (WK53590)		

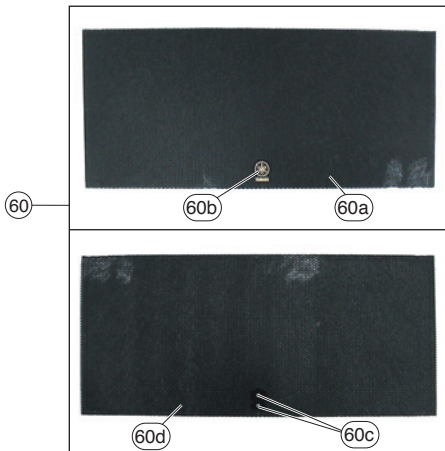
*: New Parts

RANK: Japan only

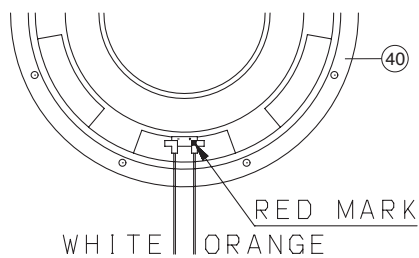
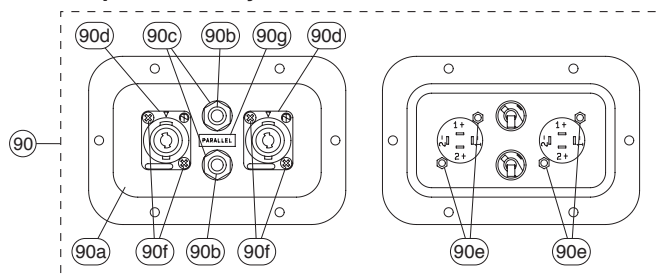
OVERALL ASSEMBLY (総組立) : CW218V



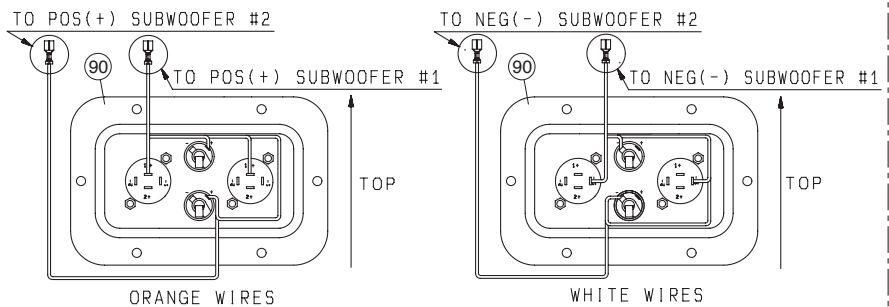
● Metal Grille Assembly



● Input Assembly



● WIRING DIAGRAM FOR INPUT PANEL



**CLUB Series
SPEAKER SYSTEM/
SUBWOOFER**

REF NO.	PART NO.	DESCRIPTION		部 品 名	REMARKS	QTY	RANK
		OVERALL ASSEMBLY		総 組 立	CW218V		
	--	Overall Assembly	PA J	総 組 立	Y (WJ38750)		
	--	Overall Assembly	PA CHN	総 組 立	O (WK73690)		
10	--	Cabinet Assembly		キャビネット A s s ' y	(WJ38560)		
10a	--	Cabinet		キャビネット 塗装 上り	(WJ42400)		
* 10b	WJ352700	Rubber Foot		ゴ ム 脚	(CBY03890)	8	
10c	--	Label		注 意 文 ラ ベ ル	(WJ35280)		
* 10d	WJ911300	Pan Head PB Screw	#10 X 1 BLK	鍋 ね じ	(EKY01240)	8	
* 20	WJ213700	Metal Handle		メ タ ル ハ ン ド ル	(AAY02580)	2	
* 40	X8976A00	Woofers	45 8 300	ス ピ ー カ	LF 18" (JAY70100)	2	
* 50	WJ356500	Gasket	9.5	ガ ス ケ ッ ト	(CBY01480)		
* 60	WJ364700	Metal Grille Assembly		メタルグリル A s s ' y	(NBY07520)		
60a	--	Metal Grille		メ タ ル グ リ ル	(WJ36700)		
* 60b	WJ370400	Logo Badge		ロ ゴ バ ッ ジ	(CBY05500)		
* 60c	WJ370500	Push Nut		プ ッ シ ュ ナ ッ ト	(AAX52740)	2	
60d	--	Urethane Foam		ウ レ タ ン フ ォ ー ム	(WJ36770)		
* 70	WJ500200	Wire Harness A		束 線 A	with Poly Switch (MZY01500)		
80	--	Wire Harness B		束 線 B	(WJ50030)		
* 90	WJ370600	Input Assembly	PA 8F87	イ ン プ ッ ト A s s ' y	(NBY07360)		
90a	--	Input Panel		イ ン プ ッ ト パ ネ ル	(WJ37090)		
* 90b	WJ371200	Phone Jack	PA	ホ ー ン ジ ャ ッ ク	(LBY00150)	2	
* 90c	WJ371700	Plain Washer	3/8inch	平 座 金	(EWPP0010)	2	
* 90d	WJ371800	Connector NL4MP	4P NL4MP	コ ネ ク タ N L 4 M P	(LAY00180)	2	
* 90e	WJ372000	Hexagonal Nut	#4-40 NYLOK NUT	六 角 ナ ッ ト	(EKY01540)	4	
* 90f	WJ372100	FH Machining Screw	#4-40X3/8 ZN BL	皿 ね じ	(EFME0630)	4	
90g	--	Decal		デ カ ー ル	(WJ37220)		
110	--	Serial Label		シ リ ア ル N O ラ ベ ル	(WK61060)		
120	--	Pop Label		ポ ッ プ ラ ベ ル	(WJ37030)		
* 130	WJ493800	TH Sheet Metal Screw	#6X5/8 BLK	ト ラ ス タ ッ プ ね じ	(ETAG1030)	20	
* 140	WJ624200	Pan HD Machine Screw	#10-32X1-1/2	鍋 ね じ	(EKY00340)	16	
* 150	WJ911600	TH SMS Screw	#8 X 3/4 BLACK	ト ラ ス ね じ	(ETAH1230)	12	
200	--	Label		E マ ー ク ラ ベ ル	O (WK53590)		

*: New Parts

RANK: Japan only