

CLUB Series SPEAKER SYSTEM/ SUBWOOFER

SERVICE MANUAL



S112V



S115V



S215V



SM10V



SM12V



SM15V



SW115V



SW118V



SW218V

CONTENTS (目次)

SPECIFICATIONS & DIMENSIONS (総合仕様&寸法図).....	3/4
NETWORK (ネットワーク).....	5
WIRE HARNESS (ワイヤーハーネス).....	9
DISASSEMBLY PROCEDURE (分解手順).....	10
• S112V/S115V.....	10
• S215V.....	14
• SM10V.....	17
• SM12V/SM15V.....	20
• SW115V/SW118V.....	23
• SW218V.....	26
NEUTRIK NL4FC PLUG WIRING (スピコンNEUTRIK NL4FCプラグの配線).....	28
PARTS LIST	

Use this manual for products with a serial number of 7 figures.
(本マニュアルは、製造番号が7桁の商品でご使用ください。)

An example of a serial number (製造番号例)

NK01089
7 figures (7桁)

PA 011867

S112V: 200706-68,250
S115V: 200706-78,750
S215V: 200706-157,500

SW115V: 200706-84,000
SW118V: 200706-89,250
SW218V: 200706-136,500
SM10V: 200706-68,250
SM12V: 200706-73,500
SM15V: 200706-84,000



HAMAMATSU, JAPAN

Copyright (c) Yamaha Corporation. All rights reserved. PDF M 07.07

IMPORTANT NOTICE

This manual has been provided for the use of authorized Yamaha Retailers and their service personnel. It has been assumed that basic service procedures inherent to the industry, and more specifically Yamaha Products, are already known and understood by the users, and have therefore not been restated.

WARNING : Failure to follow appropriate service and safety procedures when servicing this product may result in personal injury, destruction of expensive components and failure of the product to perform as specified. For these reasons, we advise all Yamaha product owners that all service required should be performed by an authorized Yamaha Retailer or the appointed service representative.

IMPORTANT : This presentation or sale of this manual to any individual or firm does not constitute authorization certification, recognition of any applicable technical capabilities, or establish a principal-agent relationship of any form.

The data provided is believed to be accurate and applicable to the unit(s) indicated on the cover. The research engineering, and service departments of Yamaha are continually striving to improve Yamaha products. Modifications are, therefore, inevitable and changes in specification are subject to change without notice or obligation to retrofit. Should any discrepancy appear to exist, please contact the distributor's Service Division.

WARNING : Static discharges can destroy expensive components. Discharge any static electricity your body may have accumulated by grounding yourself to the ground bus in the unit (heavy gauge black wires connect to this bus.)

IMPORTANT : Turn the unit OFF during disassembly and parts replacement. Recheck all work before you apply power to the unit.

WARNING: CHEMICAL CONTENT NOTICE!

The solder used in the production of this product contains LEAD. In addition, other electrical/electronic and/or plastic (Where applicable) components may also contain traces of chemicals found by the California Health and Welfare Agency (and possibly other entities) to cause cancer and/or birth defects or other reproductive harm.

DO NOT PLACE SOLDER, ELECTRICAL/ELECTRONIC OR PLASTIC COMPONENTS IN YOUR MOUTH FOR ANY REASON WHAT SO EVER!

Avoid prolonged, unprotected contact between solder and your skin! When soldering, do not inhale solder fumes or expose eyes to solder/flux vapor!

If you come in contact with solder or components located inside the enclosure of this product, wash your hands before handling food.

Poly Switch

All full-range loudspeakers are fitted with a self-resetting poly switch that protects the high-frequency driver from damage caused by excessive power.


If a loudspeaker cabinet loses high-frequency output, immediately remove power from the unit and wait for two to three minutes. They should allow the poly switch to reset. Re-apply power and check the performance of the high-frequency driver before continuing with the power reduced to a level that does not cause the poly switch to interrupt the signal.

On the SW115V/SW118V/SW218V sub woofer, the Poly Switch protects the woofer and a similar routine should be followed if its output is lost.

ポリスイッチ

スピーカーシステムには、自動復帰型ポリスイッチが内蔵されているため、過電流による故障から高音域ドライバーを保護します。スピーカーシステムのキャビネットから高音域が出力されない場合は、すぐにパワーアンプの電源を切り、ポリスイッチをリセットする(冷やす)ために、2~3分そのままにしてください。再度電源を入れ、高音域ドライバーの出力を確認してください。サブウーファーについても、ポリスイッチが低音域ドライバーを保護しているため、低音域が出力されない場合は、上記と同じようにしてください。

■ WARNING

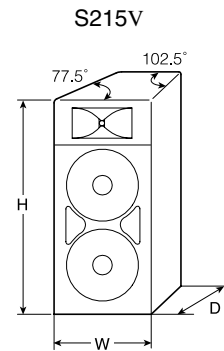
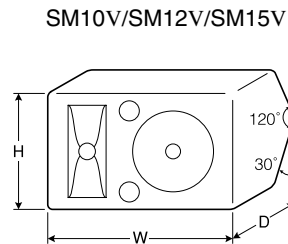
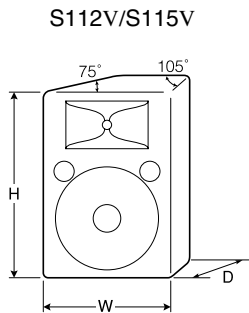
Components having special characteristics are marked  and must be replaced with parts having specification equal to those originally installed.



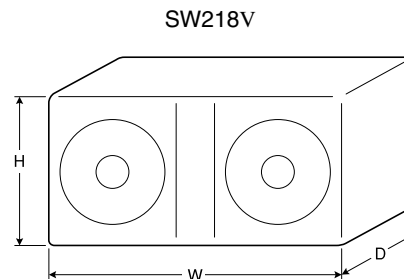
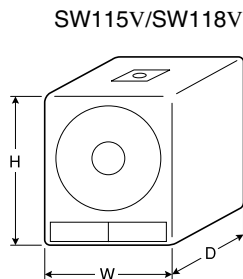
印の部品は、安全を維持するために重要な部品です。交換する場合は、安全のために必ず指定の部品をご使用ください。

■ SPECIFICATIONS & DIMENSIONS

Model		SM10V	S112V	SM12V	S115V	SM15V	S215V
Enclosure		Bass Reflex Type					
Speaker Unit	LF	10" cone	12" cone		15" cone		15" cone X 2
	HF	1" V.C. driver	2" V.C. driver				
Frequency Response		70Hz-20kHz	60Hz-16kHz		55Hz-16kHz		42Hz-16kHz
Power Capacity	NOISE*	125W	175W		250W		500W
	PGM	250W	350W		500W		1000W
	MAX	500W	700W		1000W		2000W
Nominal Impedance		8Ω					4Ω
Sensitivity		96dB SPL (1W, 1m)	97dB SPL (1W, 1m)		99dB SPL (1W, 1m)		99dB (1W, 1m)
Nominal Dispersion	Horizontal	40°	90°	40°	90°	40°	90°
	Vertical	60°	40°	90°	40°	90°	40°
Crossover Frequency		1.8kHz	2kHz		1.7kHz		1.5kHz
Input Connectors		1/4" phone jack X 2, SPEAKON Neutrik NL4MP X 2					
Dimensions (W X H X D)		560 X 353 X 277	420 X 632 X 333	632 X 414 X 351	489 X 719 X 377	719 X 483 X 343	495 X 1167 X 597
Weight		13.4kg	20.8kg	21.4kg	29.4kg	28.0kg	47.2kg



Model		SW115V	SW118V	SW218V
Enclosure		Bass Reflex Type		
Speaker Unit		15" cone	18" cone	18" cone X 2
Frequency Response		35Hz-2kHz	30Hz-2kHz	30Hz-2kHz
Power Capacity	NOISE*	250W	300W	600W
	PGM	500W	600W	1200W
	MAX	1000W	1200W	2400W
Nominal Impedance		8Ω		4Ω
Sensitivity		95dB SPL (1W,1m)	96dB SPL (1W,1m)	98dB SPL (1W,1m)
Recommended Crossover Frequency		90Hz, 12dB/oct.		
Input Connectors		1/4" phone jack X 2, SPEAKON Neutrik NL4MP X 2		
Dimensions (W X H X D)		506 X 611 X 532	610 X 728 X 641	1221 X 578 X 659
Weight		28.2kg	39.0kg	65.4kg

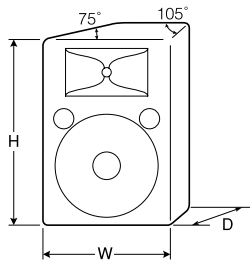


*: EIA RS-426
Units: mm

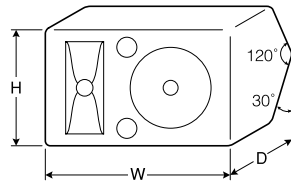
■ 総合仕様 & 寸法図

品番		SM10V	S112V	SM12V	S115V	SM15V	S215V
エンクロージャー		バスレフ型					
スピーカーユニット	LF	10"コーン	12"コーン		15"コーン		15"コーン×2
	HF	1" V.C. ドライバー		2" V.C. ドライバー			
再生周波数帯域		70Hz~20kHz	60Hz~16kHz		55Hz~16kHz		42Hz~16kHz
許容入力	NOISE*	125W	175W		250W		500W
	PGM	250W	350W		500W		1000W
	MAX	500W	700W		1000W		2000W
公称インピーダンス		8 Ω					4 Ω
出力音圧レベル		96dB SPL(1W、1m)	97dB SPL (1W、1m)		99dB SPL (1W、1m)		99dB(1W、1m)
公称指向角度	水平	40°	90°	40°	90°	40°	90°
	垂直	60°	40°	90°	40°	90°	40°
クロスオーバー周波数		1.8kHz	2kHz		1.7kHz		1.5kHz
入力端子		フォンジャック×2, スピコン端子 Neutrik NL4MP×2					
最大外形寸法 (W×H×D)		560×353×277	420×632×333	632×414×351	489×719×377	719×483×343	495×1167×597
質量		13.4kg	20.8kg	21.4kg	29.4kg	28.0kg	47.2kg

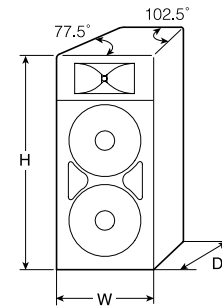
S112V/S115V



SM10V/SM12V/SM15V

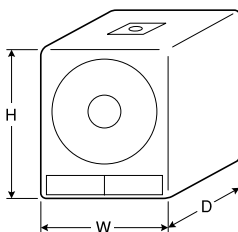


S215V

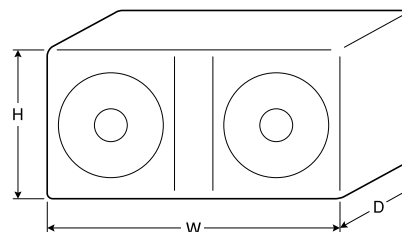


品番		SW115V	SW118V	SW218V
エンクロージャー		バスレフ型		
スピーカーユニット		15"コーン	18"コーン	18"コーン×2
再生周波数帯域		35Hz~2kHz	30Hz~2kHz	30Hz~2kHz
許容入力	NOISE*	250W	300W	600W
	PGM	500W	600W	1200W
	MAX	1000W	1200W	2400W
公称インピーダンス		8 Ω		4 Ω
出力音圧レベル		95dB SPL(1W、1m)	96dB SPL(1W、1m)	98dB SPL (1W、1m)
推奨クロスオーバー周波数		90Hz、12dB/oct.		
入力端子		フォンジャック×2, スピコン端子 Neutrik NL4MP×2		
最大外形寸法 (W×H×D)		506×611×532	610×728×641	1221×578×659
質量		28.2kg	39.0kg	65.4kg

SW115V/SW118V



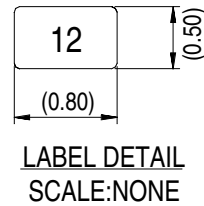
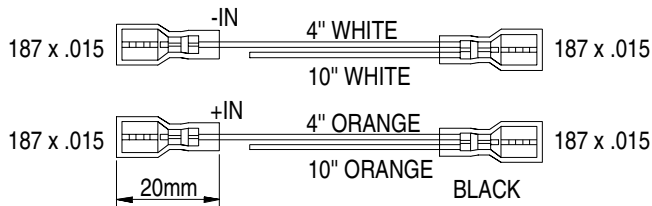
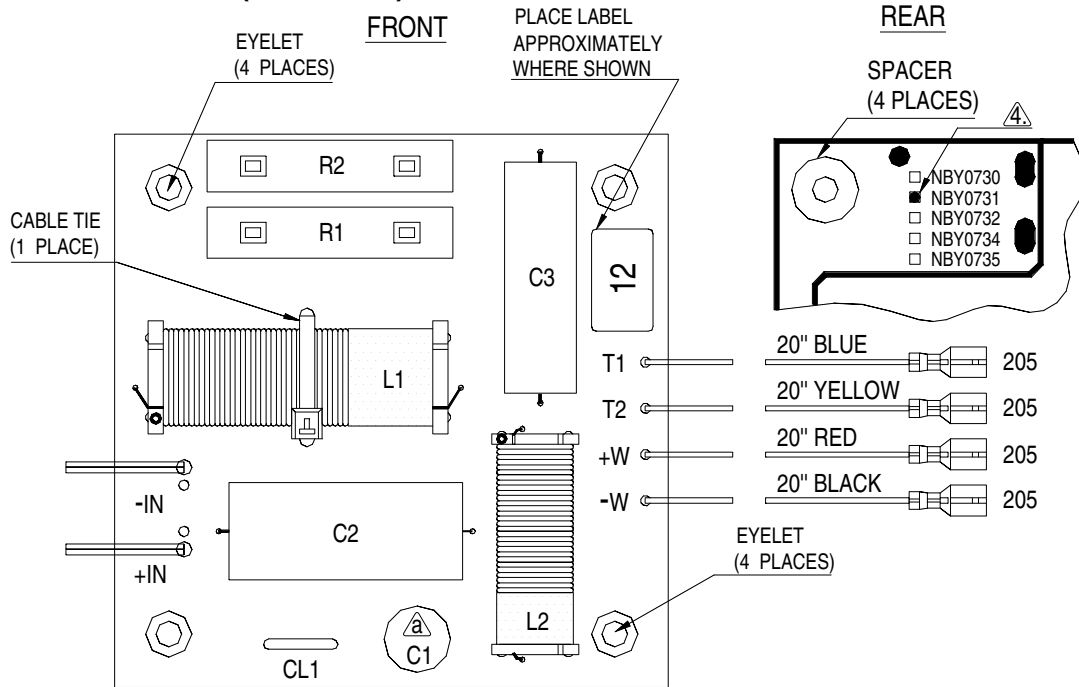
SW218V



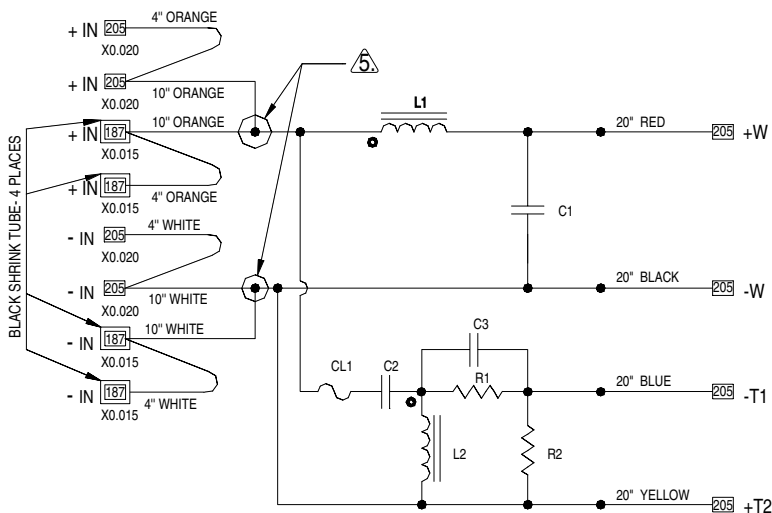
* : EIA RS-426
 単位 : mm

NETWORK (ネットワーク)

• S112V/SM12V (WJ367900)



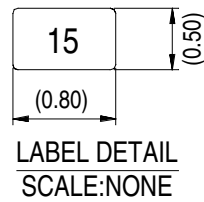
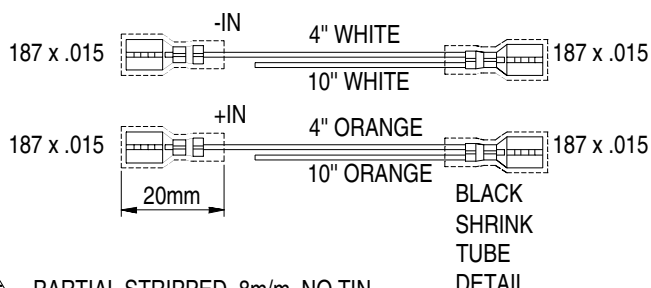
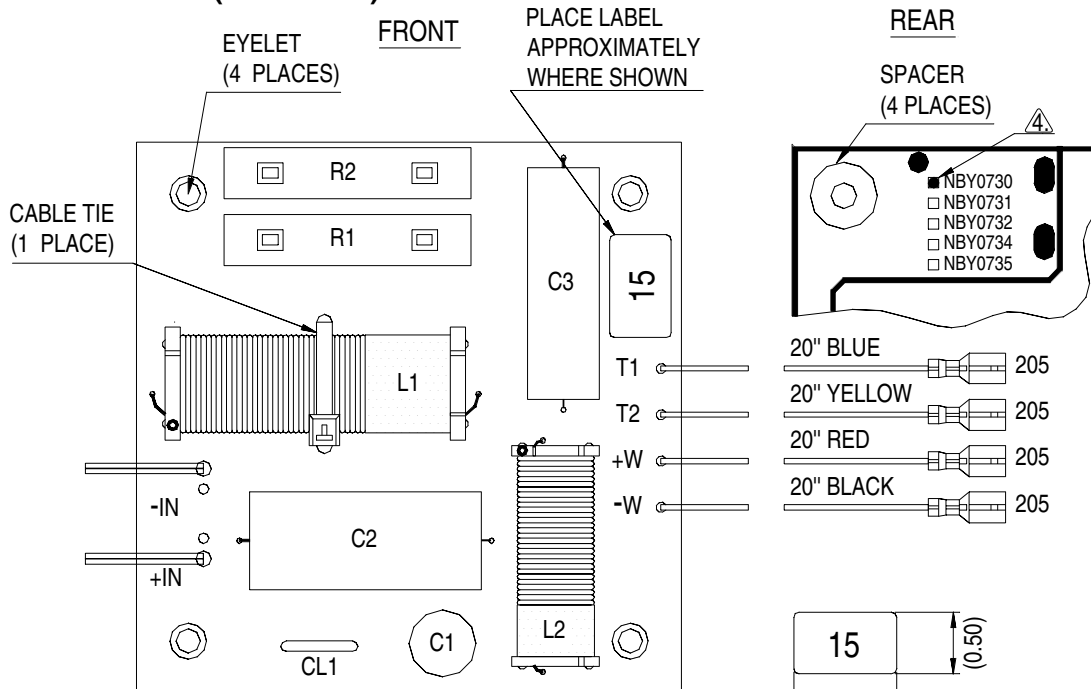
- ⑤ PARTIAL STRIPPED, 8m/m, NO TIN.
- ④ INDICATE MODEL BY A BLACK DOT.
- 3. APPLY RTV SEALANT UNDER C2,C3,L1,L2 AND HALF CIRCUMFERENCE AROUND C1.
- 2. "O" DENOTES START LEAD OF INDUCTOR.
- 1. ALL COMPONENTS TO BE TESTED AT 1 KHZ UNLESS OTHERWISE SPECIFIED.



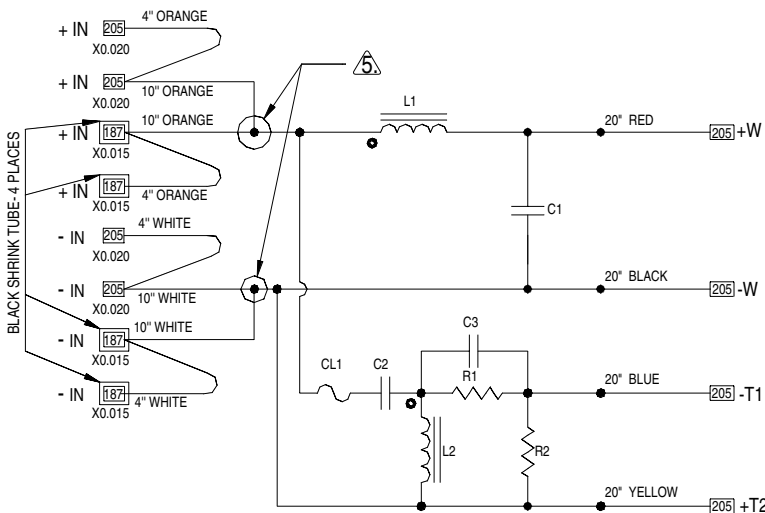
C1	15UF, 100V, NON-POLAR
C2,C3	4.7UF, 250V, METALIZED POLYESTER FILM
L1	1.30mH, 57x9.5x10mm, LAMINATED STEEL I CORE
L2	0.80mH, 41x6x7mm, LAMINATED STEEL I CORE
R1,R2	5.00ohm, 10W
CL1	CURRENT LIMITER, RXE-135

**CLUB Series
SPEAKER SYSTEM/
SUBWOOFER**

• **S115V/SM15V (WJ367800)**

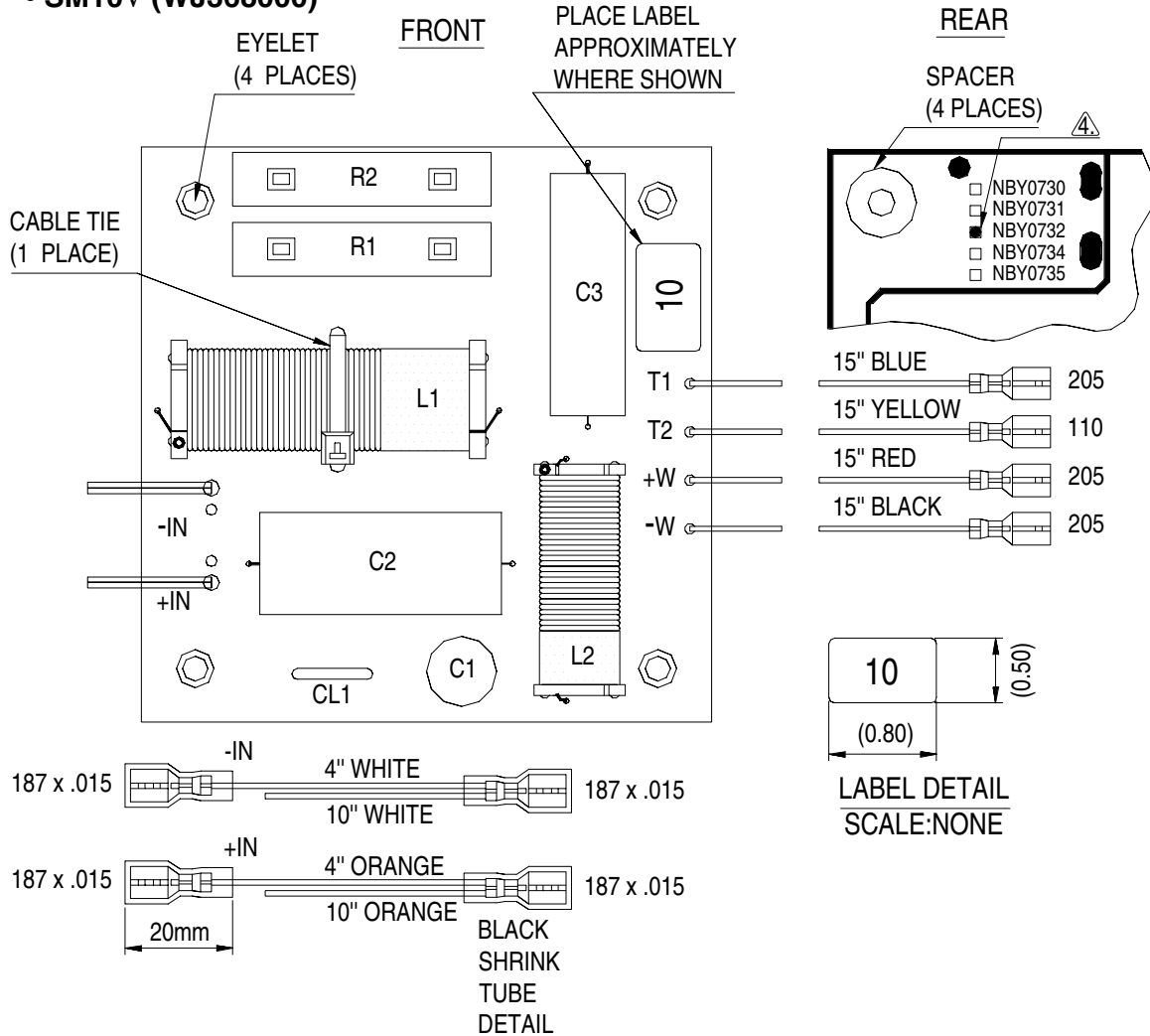


- ⚠ PARTIAL STRIPPED, 8m/m, NO TIN.
 ⚠ INDICATE MODEL BY A BLACK DOT.
 3. APPLY RTV SEALANT UNDER C2,C3,L1,L2 AND HALF CIRCUMFERENCE AROUND C1.
 2. "O" DENOTES START LEAD OF INDUCTOR.
 1. ALL COMPONENTS TO BE TESTED AT 1 KHZ UNLESS OTHERWISE SPECIFIED.
- NOTES:



- C1 15UF, 100V, NON-POLAR
- C2,C3 4.7UF, 250V, METALIZED POLYESTER FILM
- L1 2.00mH
- L2 0.80mH
- R1,R2 8.20ohm, 10W
- CL1 CURRENT LIMITER, RXE-135

• **SM10V (WJ368000)**



⚠ PARTIAL STRIPPED, 8m/m, NO TIN.

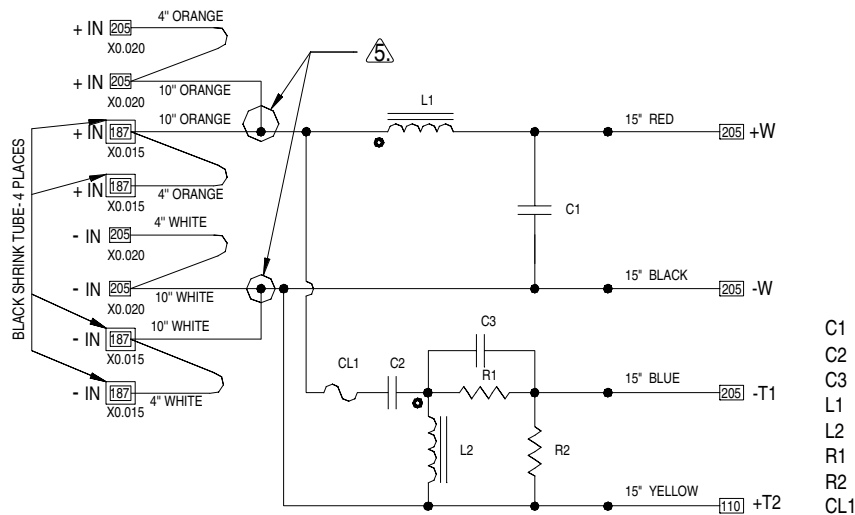
⚠ MARK PC BOARD WITH A BLACK DOT TO INDICATE MODEL.

3. APPLY RTV SEALANT UNDER C2,C3,L1,L2 AND HALF CIRCUMFERENCE AROUND C1.

2. "O" DENOTES START LEAD OF INDUCTOR.

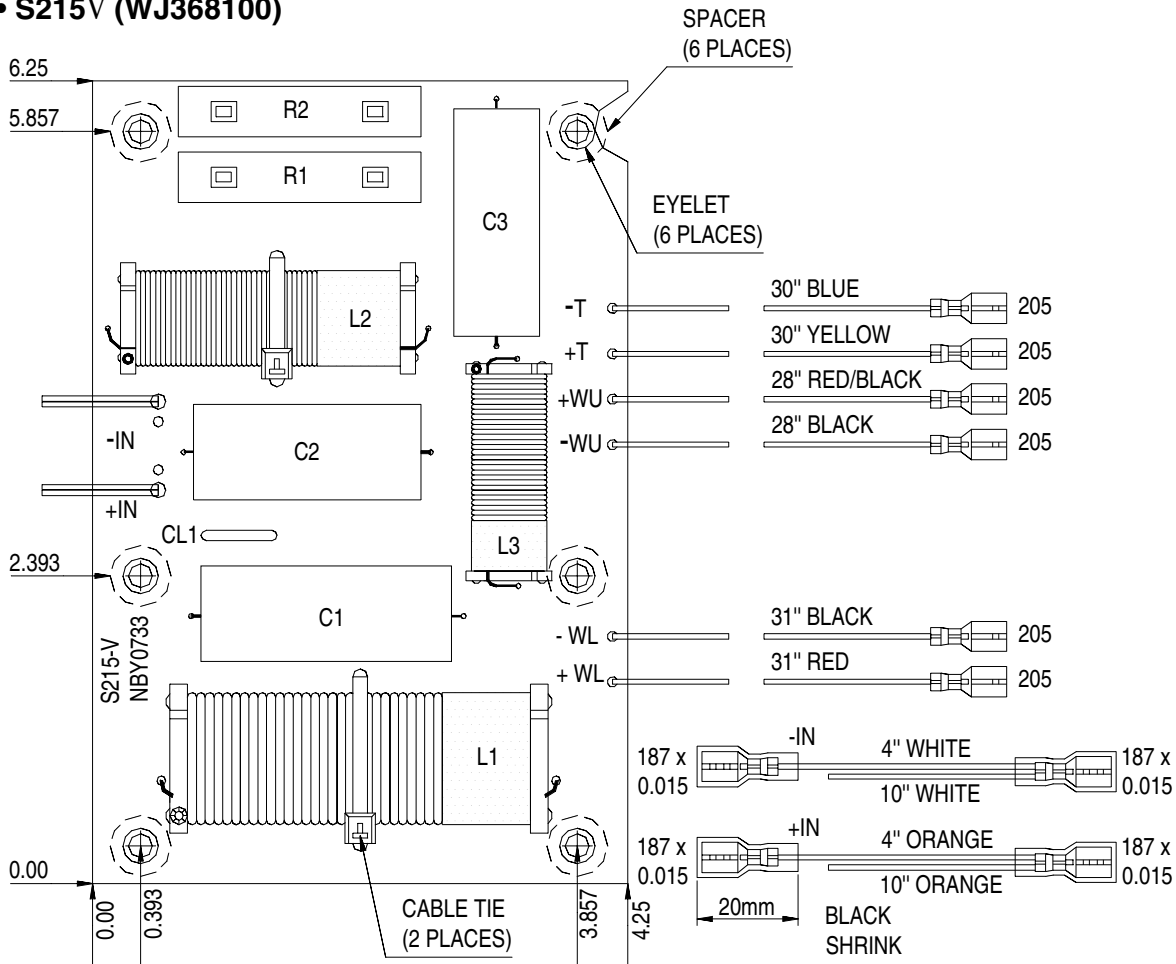
1. ALL COMPONENTS TO BE TESTED AT 1 KHZ UNLESS OTHERWISE SPECIFIED.

NOTES:

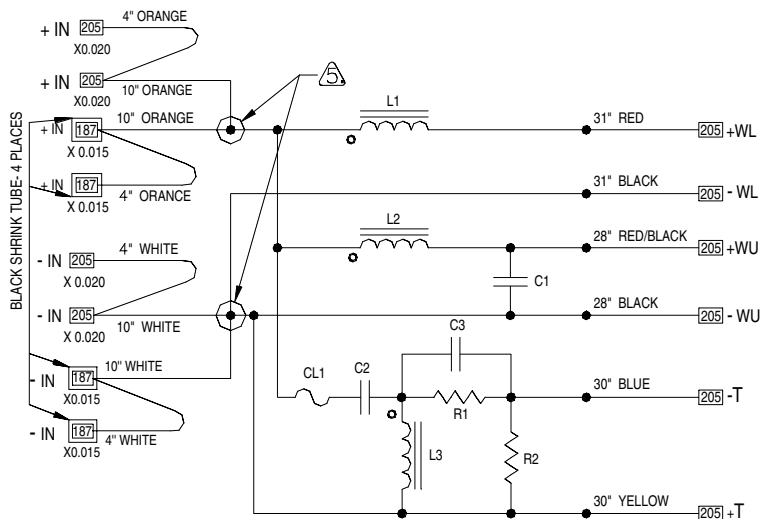


**CLUB Series
SPEAKER SYSTEM/
SUBWOOFER**

• S215V (WJ368100)



1. APPLY RTV SEALANT UNDER C1,C2,C3,L1,L2, AND L3.
 2. C1 & C3 STAND UP ON ONE SIDE. C2 LAYS DOWN FLAT.
 3. "O" DENOTES START LEAD OF INDUCTOR.
 4. ALL COMPONENTS TO BE TESTED AT 1 KHZ UNLESS OTHERWISE SPECIFIED.
- ⚠ PARTIAL STRIPPED, 8m/m, NO TIN.
- NOTES:

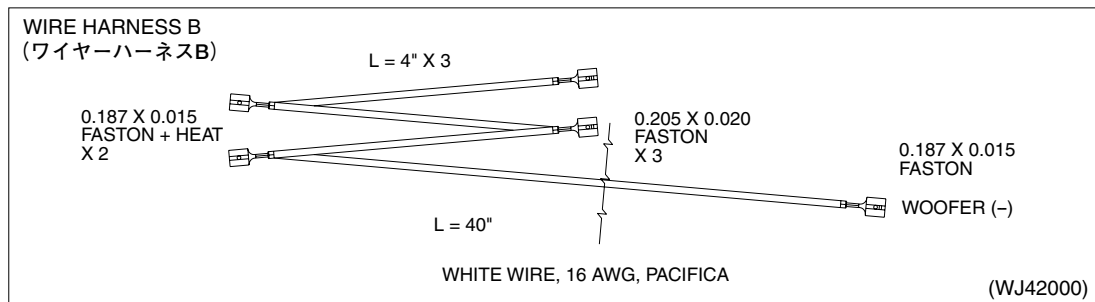
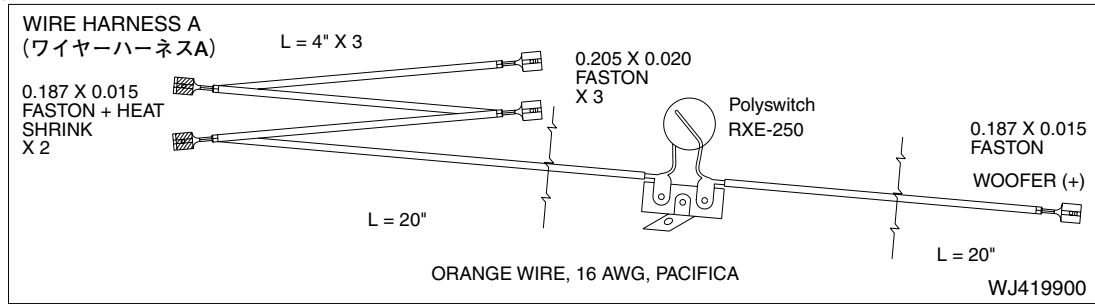


PARTS LIST

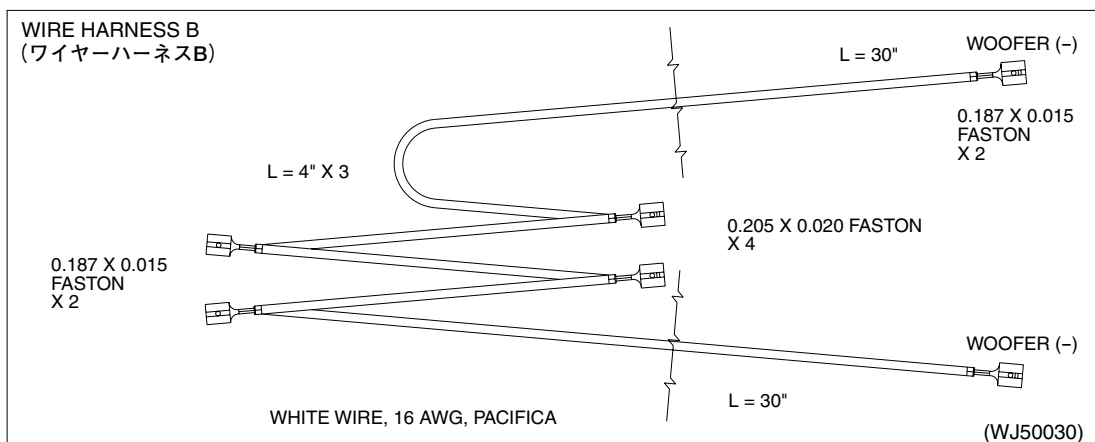
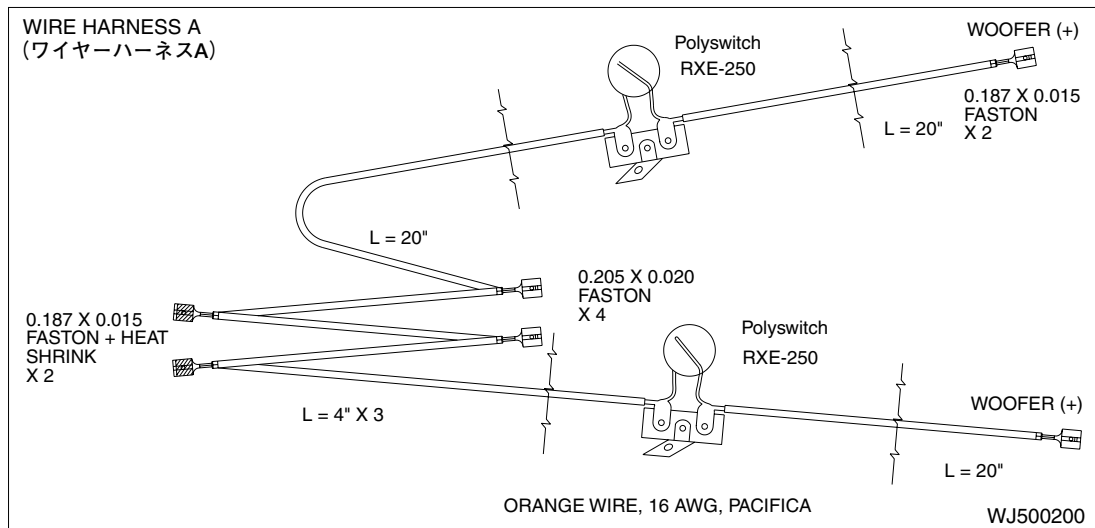
C1	15uF, 250V, METALIZED POLYESTER FILM
C2	3.9uF, 250V, METALIZED POLYESTER FILM
C3	10 uF, 250V, METALIZED POLYESTER FILM
L1	5.00mH, 76x13x13mm, LAMINATED STEEL I CORE
L2	2.00mH,57x9.5x10mm, LAMINATED STEEL I CORE
L3	0.80mH,41x6x7xmm, LAMINATED STEEL I CORE
R1	3.90ohm, 10W
R2	10.0ohm, 10W
CL1	CURRENT LIMITER, RXE-135

WIRE HARNESS (ワイヤーハーネス)

• SW115V, SW118V



• SW218V



DISASSEMBLY PROCEDURE (分解手順)

● S112V/S115V

1. Metal Handle (Time required: About 1 minute)

1-1 Remove the six (6) screws marked [170]. The metal handle can then be removed. (Photo 1)

2. Pole Socket (Time required: About 1 minutes)

2-1 Remove the three (3) screws marked [130A]. The pole socket can then be removed. (Photo 2)

3. Rubber Foot (Time required: About 1 minutes)

3-1 Remove the screw marked [10f]. The rubber foot can then be removed. (Photo 3)

1. メタルハンドル (所要時間: 約1分)

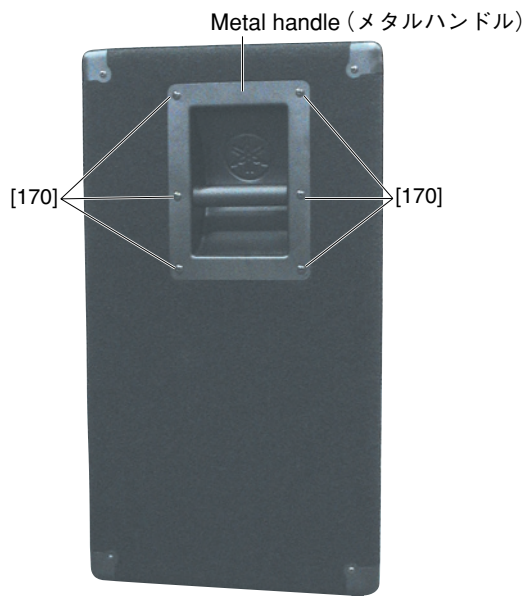
1-1 [170]のネジ6本を外し、メタルハンドルを外します。(写真1)

2. ポールソケット (所要時間: 約1分)

2-1 [130A]のネジ3本を外し、ポールソケットを外します。(写真2)

3. ゴム脚 (所要時間: 約1分)

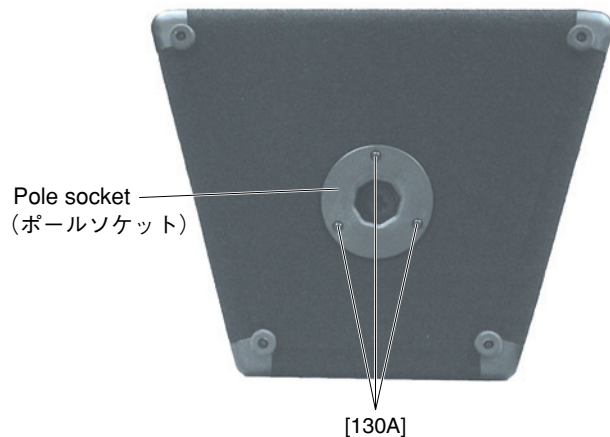
3-1 [10f]のネジ1本を外し、ゴム脚を外します。(写真3)



(S112V)

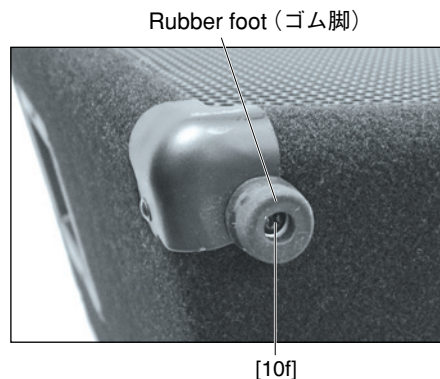
[170]: TH SMS Screw (トラスねじ) #8 x 3/4 BLACK (WJ911600)

Photo 1 (写真1)



[130]: Pan Head PB Screw (鍋ねじ) #10 x 1 BLK (WJ911300)

Photo 2 (写真2)

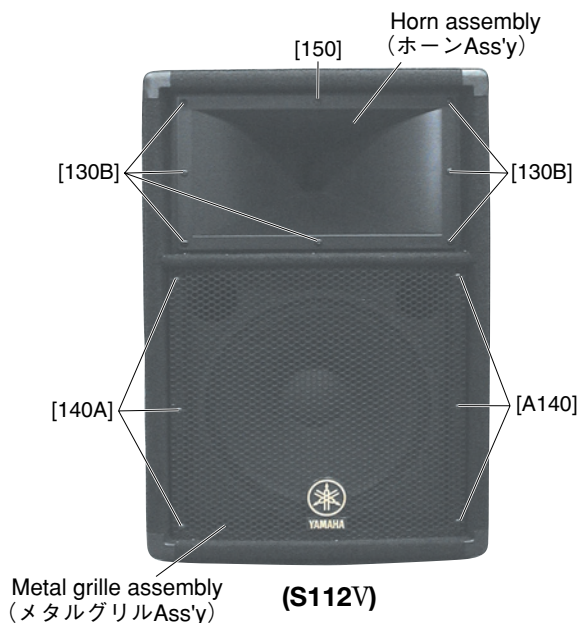


[10f]: Pan Head PB Screw (鍋ねじ) #10 x 1 BLK (WJ911300)

Photo 3 (写真3)

4. Woofer (Time required: About 3 minutes)

- 4-1 Remove the six (6) screws marked [140A]. The metal grille assembly can then be removed. (Photo 4)
- 4-2 Remove the eight (8) screws marked [160]. The woofer can then be removed. (Photo 5)

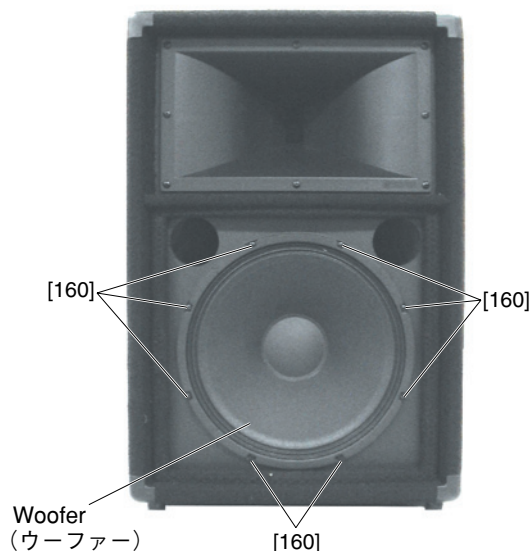


- [130]: Pan Head PB Screw (鍋ねじ) #10 x 1 BLK (WJ911300)
- [140]: TH Sheet Metal Screw (トラスタップねじ) #6 x 5/8 BLK (WJ493800)
- [150]: PH SMS Screw (鍋ねじ) PHSMS #10X1-1/2 BL (WJ911400)

Photo 4 (写真4)

4. ウーファー (所要時間: 約3分)

- 4-1 [140A]のネジ6本を外し、メタルグリル Ass'yを外します。(写真4)
- 4-2 [160]のネジ8本を外し、ウーファーを外します。(写真5)



- S112V**
[160]: Pan Head PB Screw (鍋ねじ) PHPBS #8 x 1 BLK (WJ911500)
- S115V**
[160]: Pan HD Machine Screw (鍋ねじ) #10-32 x 1 BLK (WJ494200)

Photo 5 (写真5)

5. Horn Assembly (Time required: About 3 minutes)

- 5-1 Remove the screw marked [150] and the seven (7) screws marked [130B]. The horn assembly can then be removed. (Photo 4)
- 5-2 **Horn**
- 5-2-1 Remove the two (2) hex head mach screw marked [50c]. The horn can then be removed from the horn assembly. (Photo 7)
- 5-3 **Diaphragm Assembly**
- 5-3-1 Remove the three (3) screws marked [A]. The diaphragm assembly can then be removed from the horn driver. (Photo 6, 8)

5. ホーン Ass'y (所要時間: 約3分)

- 5-1 [150]のネジ1本と[130B]のネジ7本を外し、ホーン Ass'yを外します。(写真4)
- 5-2 **ホーン**
- 5-2-1 [50c]の六角ボルト2本を外し、ホーン Ass'y からホーンを外します。(写真7)
- 5-3 **ダイヤフラム Ass'y**
- 5-3-1 [A]のネジ3本を外し、スピーカ (HF) からダイヤフラム Ass'yを外します。(写真6、8)

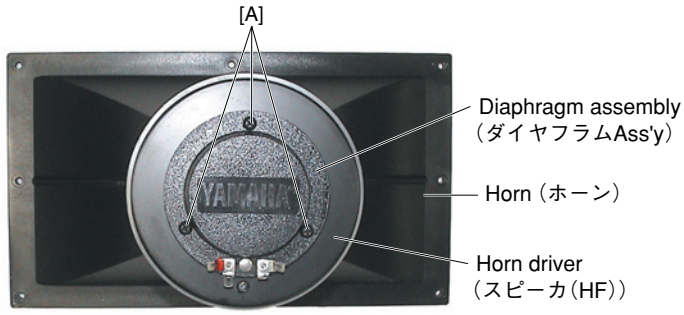
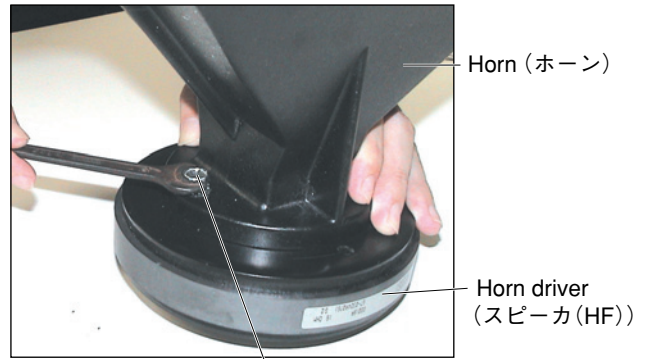


Photo 6 (写真6)



[50c]

[50c]: Hex Head Mach Screw (歯付座金付六角ボルト) 1/4 x 5/8 inch (WJ356300)

Photo 7 (写真7)

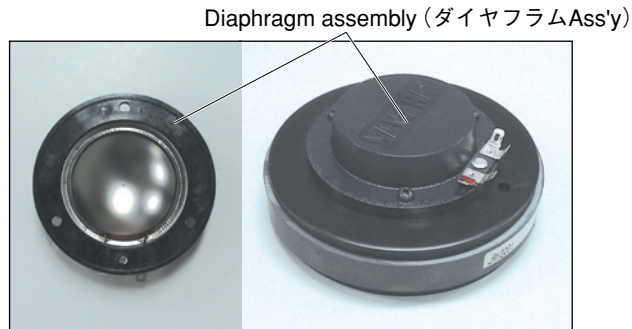


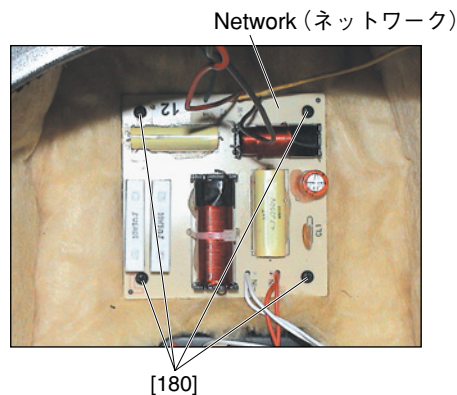
Photo 8 (写真8)

6. Network (Time required: About 4 minutes)

- 6-1 Remove the woofer. (See procedure 4)
- 6-2 Remove the four (4) screws marked [180]. The network can then be removed. (Photo 9)

6. ネットワーク (所要時間：約4分)

- 6-1 ウーファーを外します。(4項参照)
- 6-2 [180]のネジ4本を外し、ネットワークを外します。(写真9)



[180]

[180]: Pan Head SM Screw (鍋ねじ) PHSMS #6 x 3/4 BLK (WJ911700)

Photo 9 (写真9)

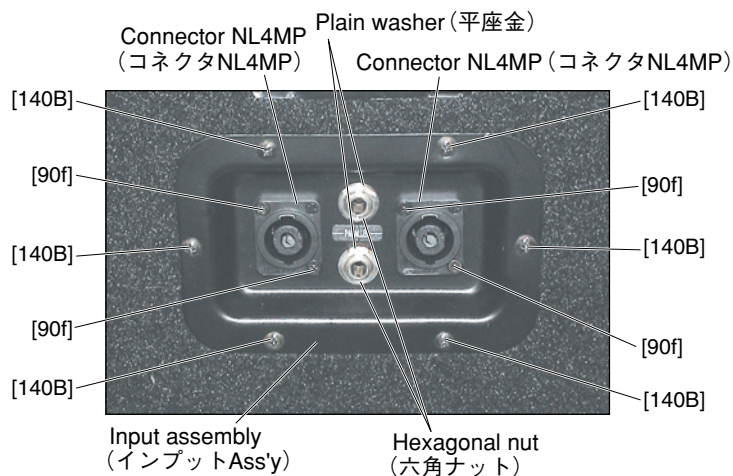
7. Input Assembly

(Time required: About 2 minutes)

- 7-1 Remove the six (6) screws marked [140B]. The input assembly can then be removed. (Photo 10)
- 7-2 Remove the two (2) screws marked [90f] and the two (2) hexagonal nut marked [90e]. The connector NL4MP can then be removed. (Photo 10, 11)
- 7-3 Remove the hexagonal nut. The plain washer and phone jack can then be removed. (Photo 10, 11)

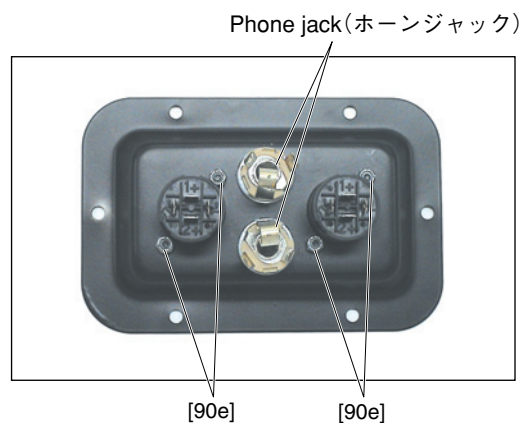
7. インプット Ass'y (所要時間：約2分)

- 7-1 [140B]のネジ6本を外し、インプット Ass'yを外します。(写真10)
- 7-2 [90f]のネジ2本と[90e]の六角ナット2個を外し、コネクタ NL4MPを外します。(写真10、11)
- 7-3 六角ナットを外し、平座金とホーンジャックを外します。(写真10、11)



[90f]: FH Machining Screw (皿ねじ) #4-40 x 3/8 ZN BL (WJ372100)
[140]: TH Sheet Metal Screw (トラスタップねじ) #6 x 5/8 BLK (WJ493800)

Photo 10 (写真10)



[90e]: Hexagonal Nut (六角ナット) #4-40 NYLOK NUT (WJ372000)

Photo 11 (写真11)

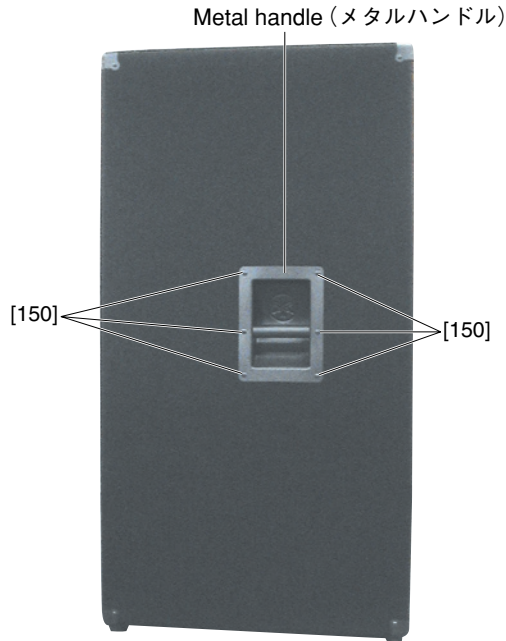
● **S215V**

1. Metal Handle (Time required: About 1 minute)

1-1 Remove the six (6) screws marked [150]. The metal handle can then be removed. (Photo 1)

2. Rubber Foot (Time required: About 1 minutes)

2-1 Remove the screw marked [10f]. The rubber foot can then be removed. (Photo 2)



[150]: TH SMS Screw (トラスねじ) #8 x 3/4 BLACK (WJ911600)

Photo 1 (写真1)

3. Woofer (Time required: About 3 minutes)

3-1 Remove the eight (8) screws marked [130A]. The metal grille assembly can then be removed. (Photo 3)

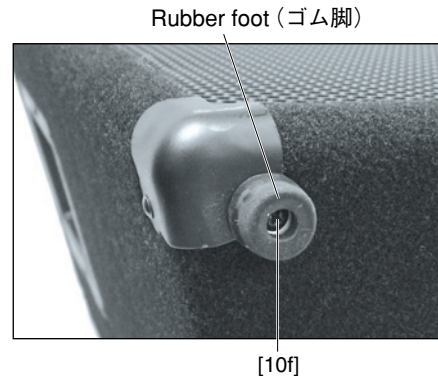
3-2 Remove the eight (8) screws marked [170]. The woofer can then be removed. (Photo 4)

1. メタルハンドル (所要時間: 約1分)

1-1 [150]のネジ6本を外し、メタルハンドルを外します。(写真1)

2. ゴム脚 (所要時間: 約1分)

2-1 [10f]のネジ1本を外し、ゴム脚を外します。(写真2)



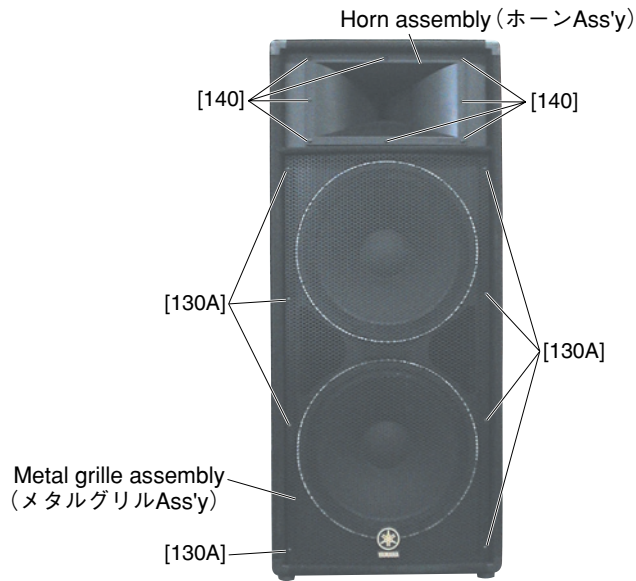
[10f]: Pan Head PB Screw (鍋ねじ) #10 x 1 BLK (WJ911300)

Photo 2 (写真2)

3. ウーファー (所要時間: 約3分)

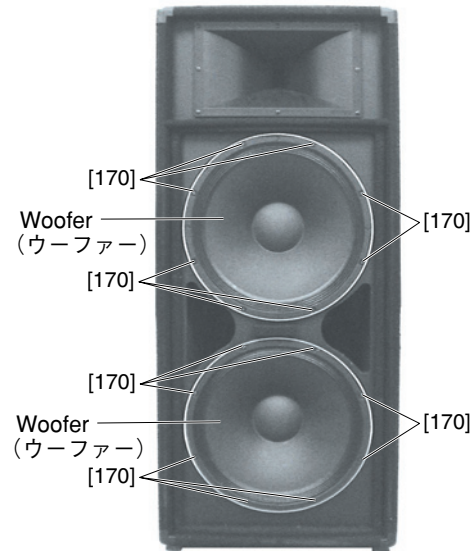
3-1 [130A]のネジ8本を外し、メタルグリル Ass'yを外します。(写真3)

3-2 [170]のネジ8本を外し、ウーファーを外します。(写真4)



[130]: TH Sheet Metal Screw (トラスタップねじ) #6 x 5/8 BLK (WJ493800)
[140]: Pan HD Machine Screw (鍋ねじ) #10-32 x 1 BLK (WJ494200)

Photo 3 (写真3)



[170]: Pan Head Machine Screw (鍋ねじ) #10-32 x 1-1/2 (WJ624200)

Photo 4 (写真4)

4. Horn Assembly

(Time required: About 3 minutes)

- 4-1 Remove the eight (8) screws marked [140]. The horn assembly can then be removed. (Photo 3)
- 4-2 **Horn**
- 4-2-1 Remove the two (2) hex head mach screw marked [50c]. The horn can then be removed from the horn assembly. (Photo 6)
- 4-3 **Diaphragm Assembly**
- 4-3-1 Remove the three (3) screws marked [A]. The diaphragm assembly can then be removed from the horn driver. (Photo 5, 7)

4. ホーン Ass'y (所要時間: 約3分)

- 4-1 [140]のネジのネジ8本を外し、ホーン Ass'yを外します。(写真3)
- 4-2 **ホーン**
- 4-2-1 [50c]の六角ボルト2本を外し、ホーン Ass'y からホーンを外します。(写真6)
- 4-3 **ダイヤフラム Ass'y**
- 4-3-1 [A]のネジ3本を外し、スピーカ (HF) からダイヤフラム Ass'yを外します。(写真5、7)

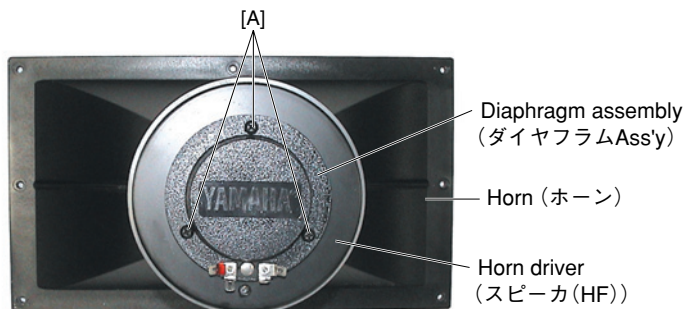
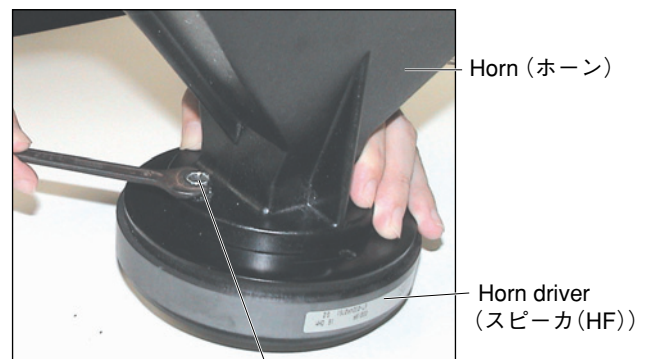


Photo 5 (写真5)



[50c]

[50c]: Hex Head Mach Screw (歯付座金付六角ボルト) 1/4 x 5/8 inch (WJ356300)

Photo 6 (写真6)

Diaphragm assembly (ダイヤフラムAss'y)

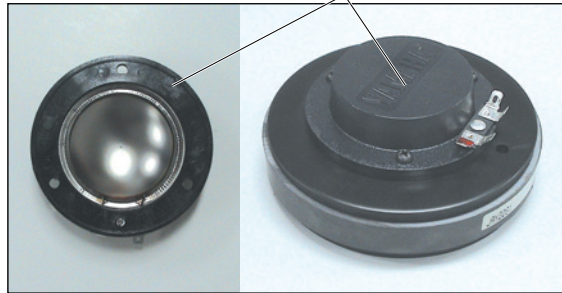


Photo 7 (写真7)

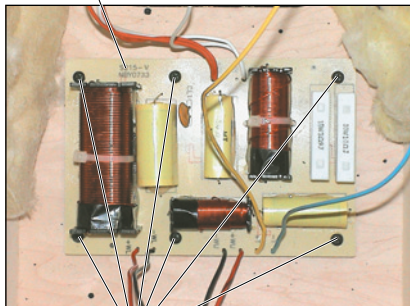
5. Network (Time required: About 4 minutes)

- 5-1 Remove the upper woofer. (See procedure 3)
- 5-2 Remove the six (6) screws marked [160]. The network can then be removed. (Photo 8)

5. ネットワーク (所要時間: 約4分)

- 5-1 上部のウーファーを外します。(3項参照)
- 5-2 [160]のネジ6本を外し、ネットワークを外します。(写真8)

Network (ネットワーク)



[160]: Pan Head SM Screw (鍋ねじ) PHSMS #6 x 3/4 BLK (WJ911700)

Photo 8 (写真8)

[160]

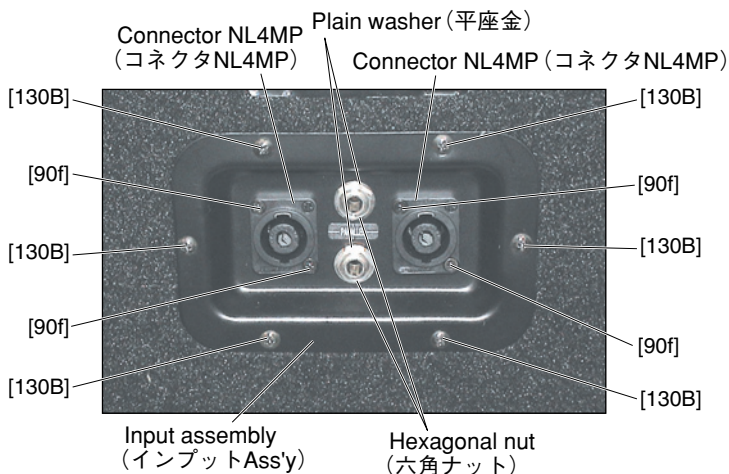
6. Input Assembly

(Time required: About 2 minutes)

- 6-1 Remove the six (6) screws marked [130B]. The input assembly can then be removed. (Photo 9)
- 6-2 Remove the two (2) screws marked [90f] and the two (2) hexagonal nut marked [90e]. The connector NL4MP can then be removed. (Photo 9, 10)
- 6-3 Remove the hexagonal nut. The plain washer and phone jack can then be removed. (Photo 9, 10)

6. インプット Ass'y (所要時間: 約2分)

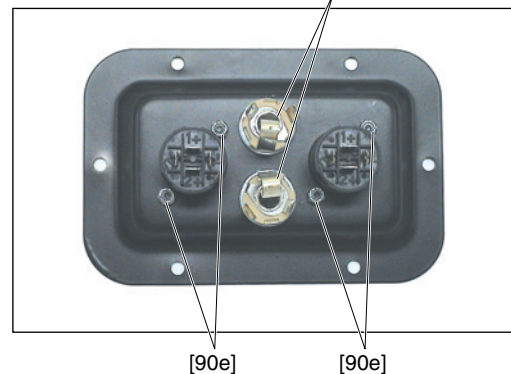
- 6-1 [130B]のネジ6本を外し、インプット Ass'yを外します。(写真9)
- 6-2 [90f]のネジ2本と[90e]の六角ナット2個を外し、コネクタNL4MPを外します。(写真9、10)
- 6-3 六角ナットを外し、平座金とホンジャックを外します。(写真9、10)



[90f]: FH Machining Screw (皿ねじ) #4-40 x 3/8 ZN BL (WJ372100)
[130]: TH Sheet Metal Screw (トラスタップねじ) #6 x 5/8 BLK (WJ493800)

Photo 9 (写真9)

Phone jack (ホンジャック)



[90e]: Hexagonal Nut (六角ナット) #4-40 NYLOK NUT (WJ372000)

Photo 10 (写真10)

● SM10V

1. Handle Assembly

(Time required: About 1 minute)

- 1-1 Remove the two (2) screws marked [160]. The handle assembly can then be removed. (Photo 1)

2. Pole Socket (Time required: About 1 minutes)

- 2-1 Remove the three (3) screws marked [130]. The pole socket can then be removed. (Photo 2)

3. Rubber Foot (Time required: About 1 minutes)

- 3-1 Remove the screw marked [10f]. The rubber foot can then be removed. (Photo 3)

1. ハンドル Ass'y (所要時間：約1分)

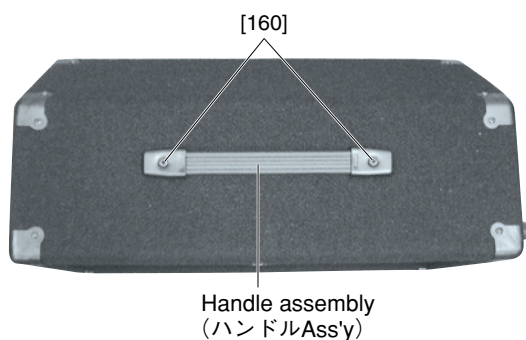
- 1-1 [160]のネジ2本を外し、ハンドル Ass'yを外します。(写真1)

2. ポールソケット (所要時間：約1分)

- 2-1 [130]のネジ3本を外し、ポールソケットを外します。(写真2)

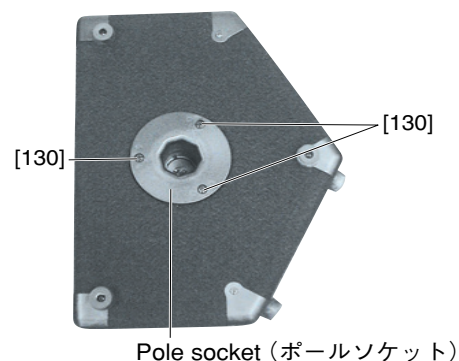
3. ゴム脚 (所要時間：約1分)

- 3-1 [10f]のネジ1本を外し、ゴム脚を外します。(写真3)



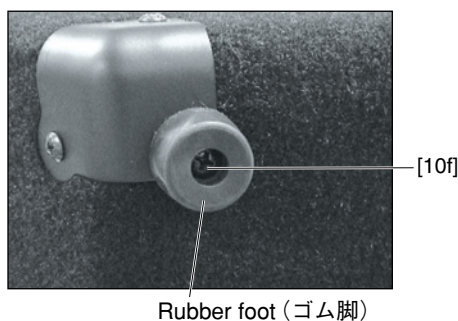
[160]: OH Machine Screw (小ねじ) OHMS#10-32 x 1-1/4BL (WJ911800)

Photo 1(写真1)



[130]: Pan Head PB Screw (鍋ねじ) #10 x 1 BLK (WJ911300)

Photo 2(写真2)



[10f]: Pan Head PB Screw (鍋ねじ) #10 x 1 BLK (WJ911300)

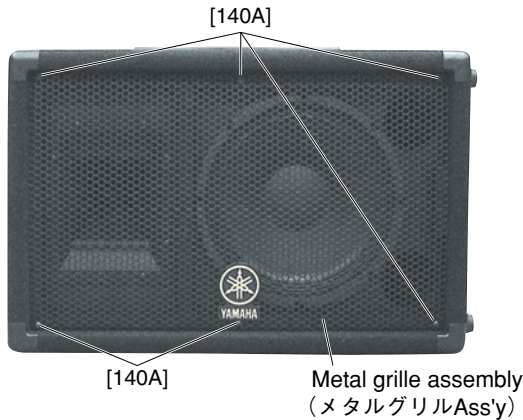
Photo 3(写真3)

4. Woofer (Time required: About 3 minutes)

- 4-1 Remove the six (6) screws marked [140A]. The metal grille assembly can then be removed. (Photo 4)
- 4-2 Remove the four (4) screws marked [150A]. The woofer can then be removed. (Photo 5)

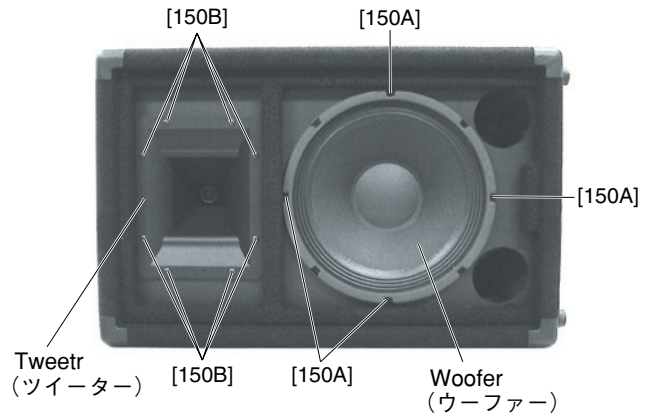
4. ウーファー (所要時間: 約3分)

- 4-1 [140A]のネジ6本を外し、メタルグリル Ass'yを外します。(写真4)
- 4-2 [150A]のネジ4本を外し、ウーファーを外します。(写真5)



[140]: TH Sheet Metal Screw (トラスタップねじ) #6 x 5/8 BLK (WJ493800)

Photo 4 (写真4)



[150]: Pan Head PB Screw (鍋ねじ) PHPBS #8 x 1 BLK (WJ911500)

Photo 5 (写真5)

5. Tweeter (Time required: About 3 minutes)

- 5-1 Remove the eight (8) screws marked [150B]. The tweeter assembly can then be removed. (Photo 5)

5. ツイーター (所要時間: 約3分)

- 5-1 [150B]のネジ8本を外し、ツイーターを外します。(写真5)

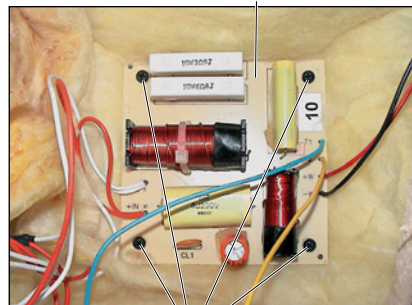
6. Network (Time required: About 3 minutes)

- 6-1 Remove the tweeter. (See procedure 5)
- 6-2 Remove the four (4) screws marked [140B]. The network can then be removed. (Photo 6)

6. ネットワーク (所要時間: 約3分)

- 6-1 ツイーターを外します。(5項参照)
- 6-2 [140B]のネジ4本を外し、ネットワークを外します。(写真6)

Network (ネットワーク)



[140B]

[140]: TH Sheet Metal Screw (トラスタップねじ) #6 x 5/8 BLK (WJ493800)

Photo 6 (写真6)

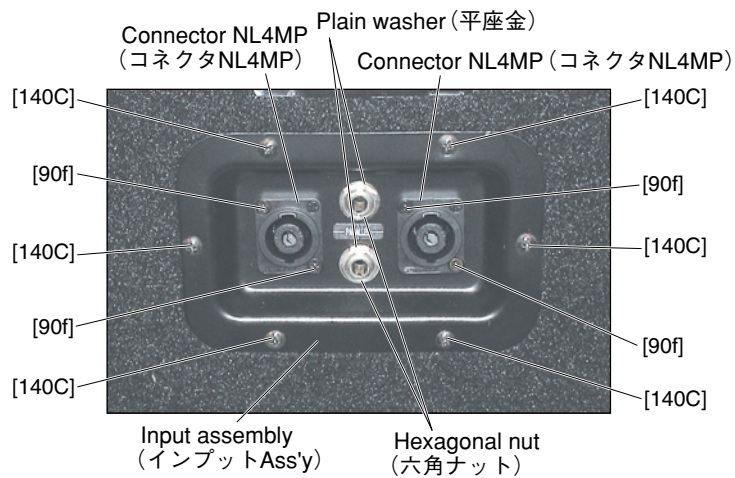
7. Input Assembly

(Time required: About 2 minutes)

- 7-1 Remove the six (6) screws marked [140C]. The input assembly can then be removed. (Photo 7)
- 7-2 Remove the two (2) screws marked [90f] and the two (2) hexagonal nut marked [90e]. The connector NL4MP can then be removed. (Photo 7, 8)
- 7-3 Remove the hexagonal nut. The plain washer and phone jack can then be removed. (Photo 7, 8)

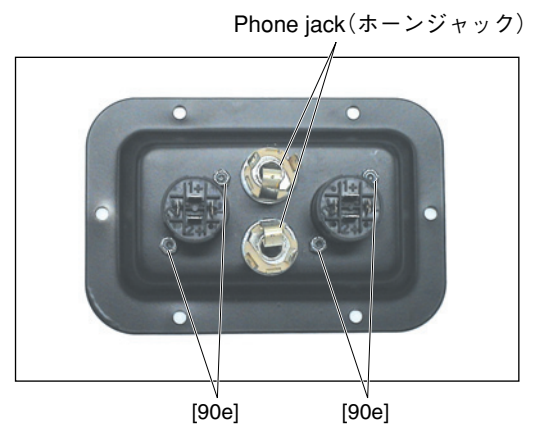
7. インプット Ass'y (所要時間：約2分)

- 7-1 [140C]のネジ6本を外し、インプット Ass'yを外します。(写真7)
- 7-2 [90f]のネジ2本と[90e]の六角ナット2個を外し、コネクタ NL4MPを外します。(写真7、8)
- 7-3 六角ナットを外し、平座金とホーンジャックを外します。(写真7、8)



[90f]: FH Machining Screw (皿ねじ) #4-40 x 3/8 ZN BL (WJ372100)
[140]: TH Sheet Metal Screw (トラスタップねじ) #6 x 5/8 BLK (WJ493800)

Photo 7 (写真7)



[90e]: Hexagonal Nut (六角ナット) #4-40 NYLOK NUT (WJ372000)

Photo 8 (写真8)

● **SM12V/SM15V**

1. Metal Handle (Time required: About 1 minute)

1-1 Remove the six (6) screws marked [170]. The metal handle can then be removed. (Photo 1)

2. Pole Socket (Time required: About 1 minutes)

2-1 Remove the three (3) screws marked [130A]. The pole socket can then be removed. (Photo 2)

3. Rubber Foot (Time required: About 1 minutes)

3-1 Remove the screw marked [10f]. The rubber foot can then be removed. (Photo 3)

1. メタルハンドル (所要時間: 約1分)

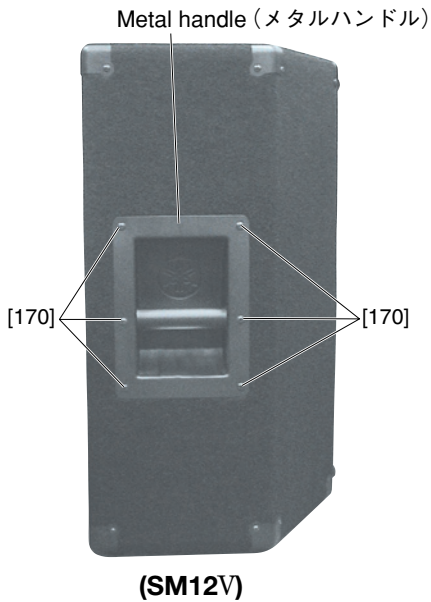
1-1 [170]のネジ6本を外し、メタルハンドルを外します。(写真1)

2. ポールソケット (所要時間: 約1分)

2-1 [130A]のネジ3本を外し、ポールソケットを外します。(写真2)

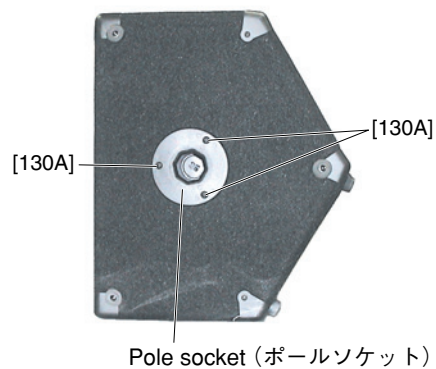
3. ゴム脚 (所要時間: 約1分)

3-1 [10f]のネジ1本を外し、ゴム脚を外します。(写真3)



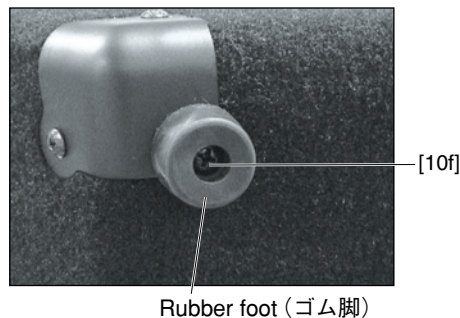
[170]: TH SMS Screw (トラスねじ) #8 x 3/4 BLACK (WJ911600)

Photo 1 (写真1)



[130]: Pan Head PB Screw (鍋ねじ) #10 x 1 BLK (WJ911300)

Photo 2 (写真2)

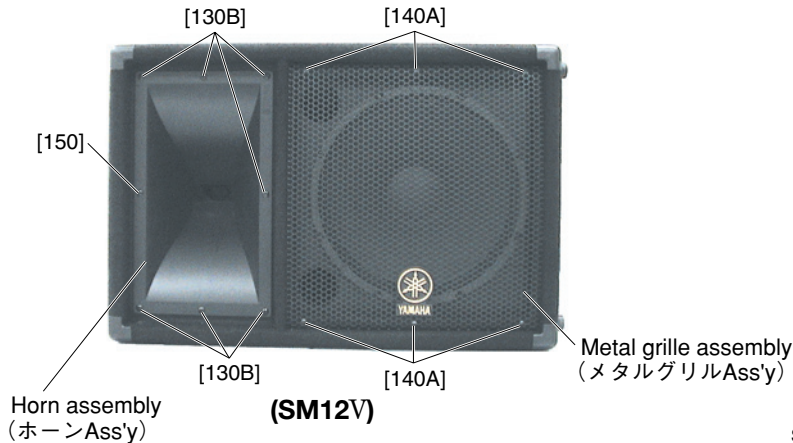


[10f]: Pan Head PB Screw (鍋ねじ) #10 x 1 BLK (WJ911300)

Photo 3 (写真3)

4. Woofer (Time required: About 3 minutes)

- 4-1 Remove the six (6) screws marked [140A]. The metal grille assembly can then be removed. (Photo 4)
- 4-2 Remove the eight (8) screws marked [160]. The woofer can then be removed. (Photo 5)

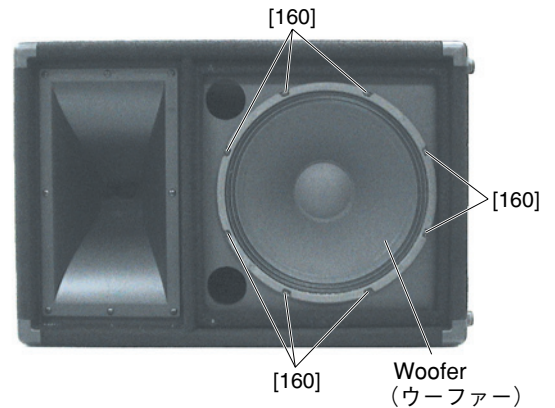


- [130]: Pan Head PB Screw (鍋ねじ) #10 x 1 BLK (WJ911300)
- [140]: TH Sheet Metal Screw (トラスタップねじ) #6 x 5/8 BLK (WJ493800)
- [150]: PH SMS Screw (鍋ねじ) PHSMS #10 x 1-1/2 BL (WJ911400)

Photo 4 (写真4)

4. ウーファー (所要時間：約3分)

- 4-1 [140A]のネジ6本を外し、メタルグリル Ass'yを外します。(写真4)
- 4-2 [160]のネジ8本を外し、ウーファーを外します。(写真5)



- SM12V**
- [160]: Pan Head PB Screw (鍋ねじ) PHPBS #8 x 1 BLK (WJ911500)
- SM15V**
- [160]: Pan HD Machine Screw (鍋ねじ) #10-32 x 1 BLK (WJ494200)

Photo 5 (写真5)

5. Horn Assembly (Time required: About 3 minutes)

- 5-1 Remove the screw marked [150] and the seven (7) screws marked [130B]. The horn assembly can then be removed. (Photo 4)
- 5-2 **Horn**
- 5-2-1 Remove the two (2) hex head mach screw marked [50c]. The horn can then be removed from the horn assembly. (Photo 7)
- 5-3 **Diaphragm Assembly**
- 5-3-1 Remove the three (3) screws marked [A]. The diaphragm assembly can then be removed from the horn driver. (Photo 6, 8)

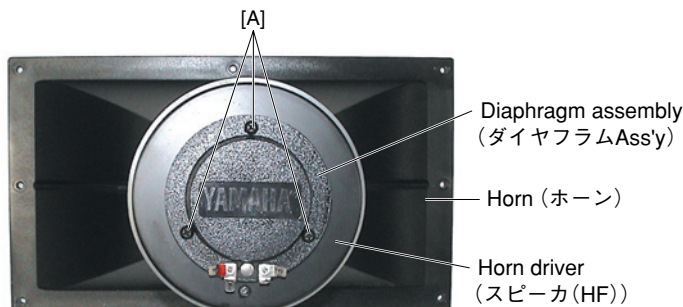
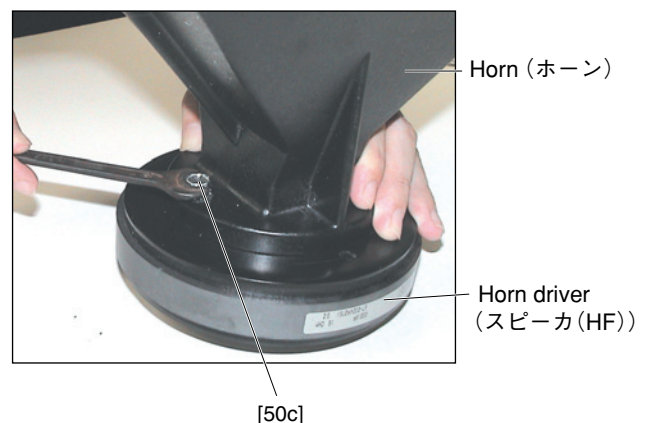


Photo 6 (写真6)

5. ホーン Ass'y (所要時間：約3分)

- 5-1 [150]のネジ1本と[130B]のネジ7本を外し、ホーン Ass'yを外します。(写真4)
- 5-2 **ホーン**
- 5-2-1 [50c]の六角ボルト2本を外し、ホーン Ass'y からホーンを外します。(写真7)
- 5-3 **ダイヤフラム Ass'y**
- 5-3-1 [A]のネジ3本を外し、スピーカ (HF) からダイヤフラム Ass'yを外します。(写真6, 8)



[50c]

- [50c]: Hex Head Mach Screw (歯付座金付六角ボルト) 1/4 x 5/8 inch (WJ356300)

Photo 7 (写真7)

Diaphragm assembly (ダイヤフラムAss'y)

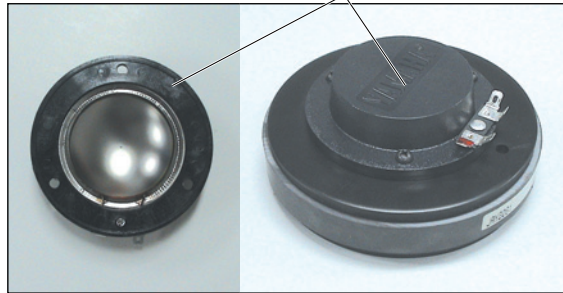


Photo 8 (写真8)

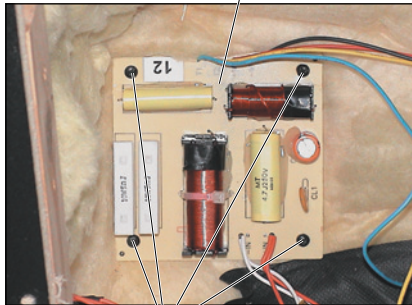
6. Network (Time required: About 4 minutes)

- 6-1 Remove the horn assembly. (See procedure 5)
- 6-2 Remove the four (4) screws marked [180]. The network can then be removed. (Photo 9)

6. ネットワーク (所要時間: 約4分)

- 6-1 ホーン Ass'y を外します。(5項参照)
- 6-2 [180]のネジ4本を外し、ネットワークを外します。(写真9)

Network (ネットワーク)



[180]

[180]: Pan Head SM Screw (鍋ねじ) PHSMS #6 x 3/4 BLK (WJ911700)

Photo 9 (写真9)

7. Input Assembly

(Time required: About 2 minutes)

- 7-1 Remove the six (6) screws marked [140B]. The input assembly can then be removed. (Photo 10)
- 7-2 Remove the two (2) screws marked [90f] and the two (2) hexagonal nuts marked [90e]. The connector NL4MP can then be removed. (Photo 10, 11)
- 7-3 Remove the hexagonal nut. The plain washer and phone jack can then be removed. (Photo 10, 11)

7. インプット Ass'y (所要時間: 約2分)

- 7-1 [140B]のネジ6本を外し、インプット Ass'yを外します。(写真10)
- 7-2 [90f]のネジ2本と[90e]の六角ナット2個を外し、コネクタ NL4MPを外します。(写真10、11)
- 7-3 六角ナットを外し、平座金とホーンジャックを外します。(写真10、11)

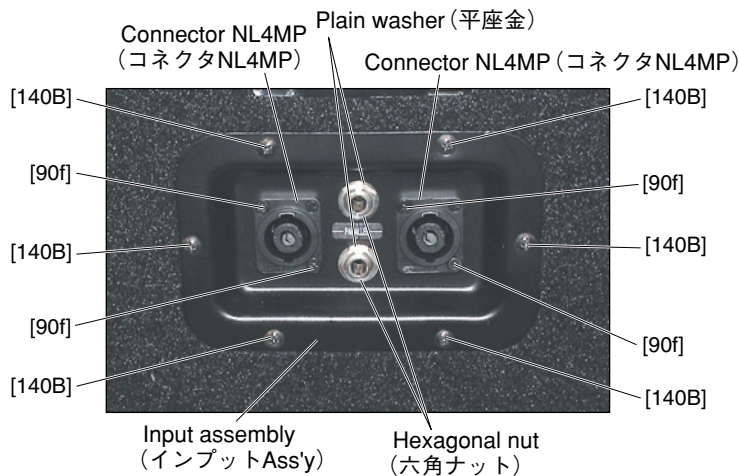
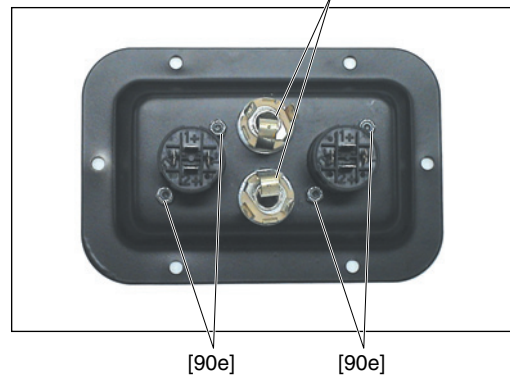


Photo 10 (写真10)

[90f]: FH Machining Screw (皿ねじ) #4-40 x 3/8 ZN BL (WJ372100)

[140]: TH Sheet Metal Screw (トラスタップねじ) #6 x 5/8 BLK (WJ493800)

Phone jack (ホーンジャック)



[90e]: Hexagonal Nut (六角ナット) #4-40 NYLOK NUT (WJ372000)

Photo 11 (写真11)

● SW115V/SW118V

1. **Metal Handle (Time required: About 1 minute)**

1-1 Remove the six (6) screws marked [150]. The metal handle can then be removed. (Photo 1)

2. **Pole Socket (Time required: About 1 minutes)**

2-1 Remove the four (4) screws marked [160]. The pole socket can then be removed. (Photo 2)

3. **Rubber Foot (Time required: About 1 minutes)**

3-1 Remove the screw marked [10f]. The rubber foot can then be removed. (Photo 3)

1. **メタルハンドル (所要時間：約1分)**

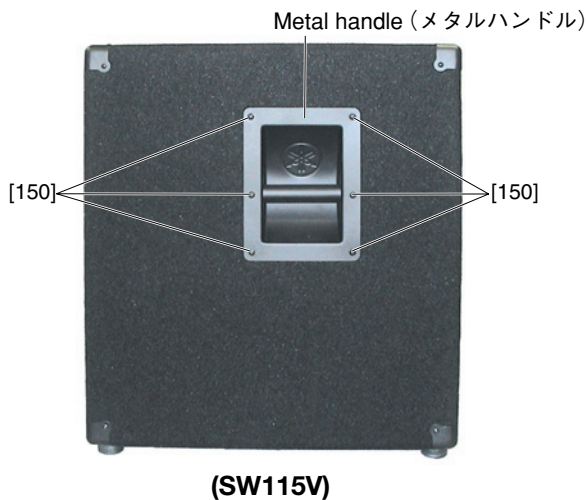
1-1 [150]のネジ6本を外し、メタルハンドルを外します。(写真1)

2. **ポールソケット (所要時間：約1分)**

2-1 [160]のネジ4本を外し、ポールソケットを外します。(写真2)

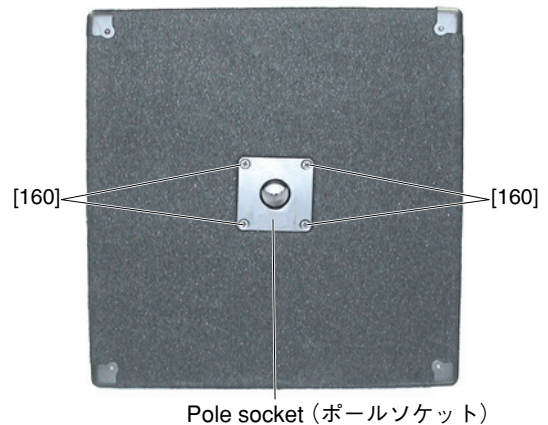
3. **ゴム脚 (所要時間：約1分)**

3-1 [10f]のネジ1本を外し、ゴム脚を外します。(写真3)



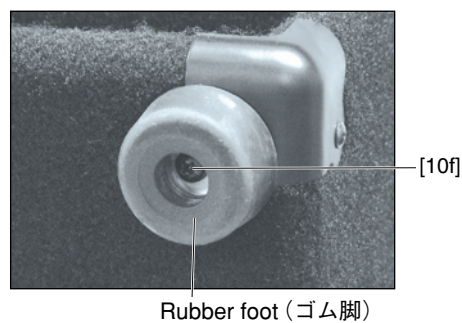
[150]: TH SMS Screw (トラスねじ) #8 x 3/4 BLACK (WJ911600)

Photo 1 (写真1)



[160]: FHL Machine Screw (皿ねじ) 1/4 x 1-1/4 BLK (WJ494300)

Photo 2 (写真2)



[10f]: Pan Head PB Screw (鍋ねじ) #10 x 1 BLK (WJ911300)

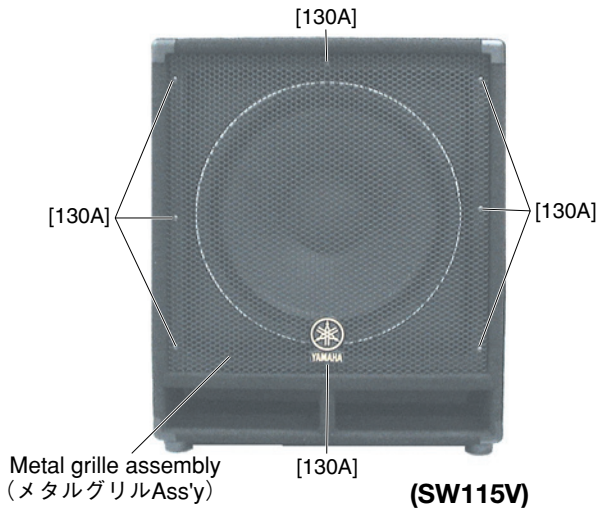
Photo 3 (写真3)

4. Woofer (Time required: About 3 minutes)

5-1 Remove the eight (8) (The screws of SW118V model is twelve (12)) screws marked [130A]. The metal grille assembly can then be removed. (Photo 4)

* The screw marked [130] of SW118V is twelve (12).

4-2 Remove the eight (8) screws marked [140]. The woofer can then be removed. (Photo 5)



[130]: TH Sheet Metal Screw (トラスタップねじ) #6 x 5/8 BLK (WJ493800)

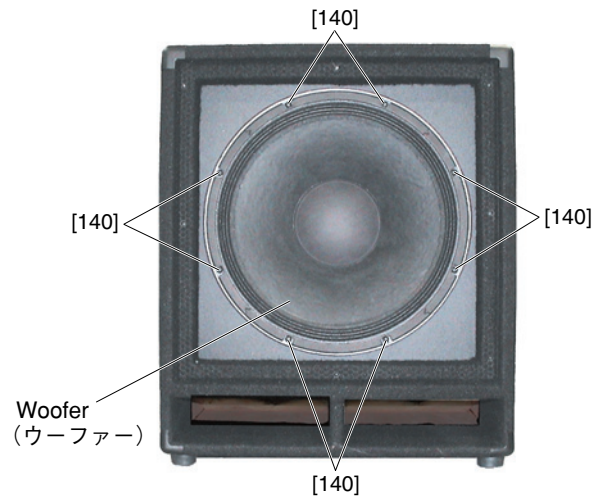
Photo 4 (写真4)

4. ウーファー (所要時間: 約3分)

4-1 [130A]のネジ8本 (SW118Vのネジは12本) を外し、メタルグリル Ass'y を外します。(写真4)

※ SW118V の[130]のネジは 12本です。

4-2 [140]のネジ8本を外し、ウーファーを外します。(写真5)



[140]: PAN HD Machine Screw (鍋ねじ) #10-32 x 1-1/2 (WJ624200)

Photo 5 (写真5)

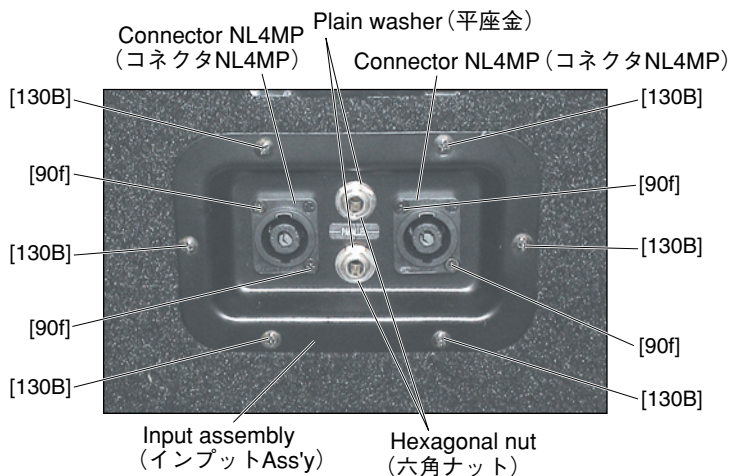
5. Input Assembly

(Time required: About 2 minutes)

5-1 Remove the six (6) screws marked [130B]. The input assembly can then be removed. (Photo 6)

5-2 Remove the two (2) screws marked [90f] and the two (2) hexagonal nuts marked [90e]. The connector NL4MP can then be removed. (Photo 6, 7)

5-3 Remove the hexagonal nut. The plain washer and phone jack can then be removed. (Photo 6, 7)



[90f]: FH Machining Screw (皿ねじ) #4-40 x 3/8 ZN BL (WJ372100)

[130]: TH Sheet Metal Screw (トラスタップねじ) #6 x 5/8 BLK (WJ493800)

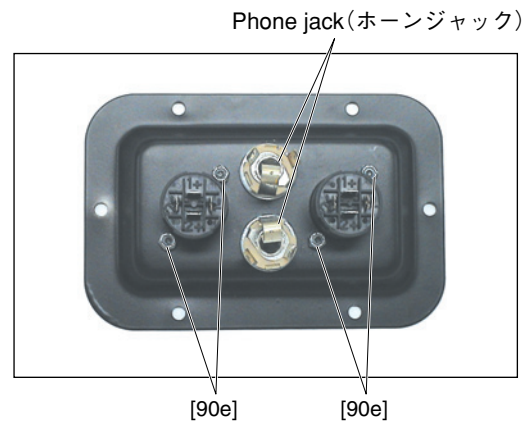
Photo 6 (写真6)

5. インプット Ass'y (所要時間: 約2分)

5-1 [130B]のネジ6本を外し、インプット Ass'y を外します。(写真6)

5-2 [90f]のネジ2本と[90e]の六角ナット2個を外し、コネクタ NL4MP を外します。(写真6、7)

5-3 六角ナットを外し、平座金とホンジャックを外します。(写真6、7)



[90e]: Hexagonal Nut (六角ナット) #4-40 NYLOK NUT (WJ372000)

Photo 7 (写真7)

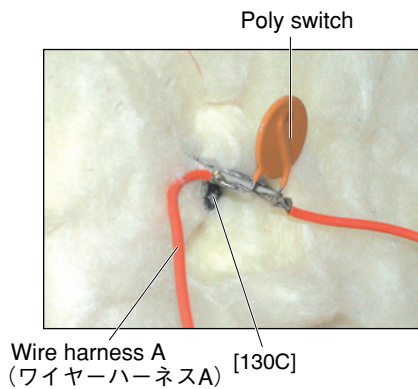
6. Wire Harness A

(Time required: About 5 minutes)

- 6-1 Remove the woofer. (See procedure 4)
- 6-2 Remove the screw marked [130C]. The wire harness A can then be removed. (Photo 8, 9)

6. ワイヤーハーネス A (所要時間: 約 5 分)

- 6-1 ウーファーを外します。(4項参照)
- 6-2 [130C]のネジ1本を外し、ワイヤーハーネスAを外します。(写真8、9)



[130]: TH Sheet Metal Screw (トラスタップねじ) #6 x 5/8 BLK (WJ493800)

Photo 8 (写真8)

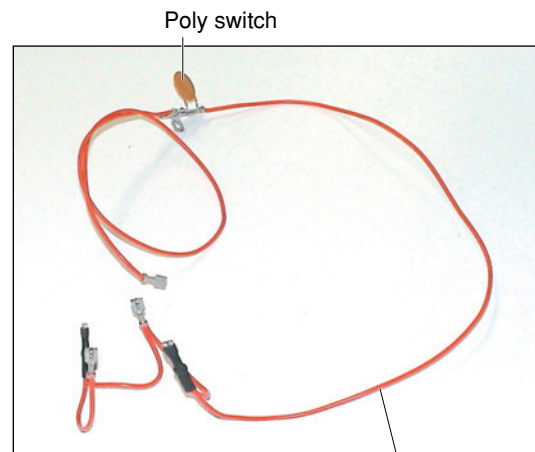


Photo 9 (写真9)

● **SW218V**

1. Metal Handle (Time required: About 1 minute)

1-1 Remove the six (6) screws marked [150]. The metal handle can then be removed. (Photo 1)

2. Rubber Foot (Time required: About 1 minutes)

2-1 Remove the screw marked [10f]. The rubber foot can then be removed. (Photo 2)

2-2 When the number of rubber feet are two, the two (2) screws marked [10f] are removed, respectively. (Photo 2)

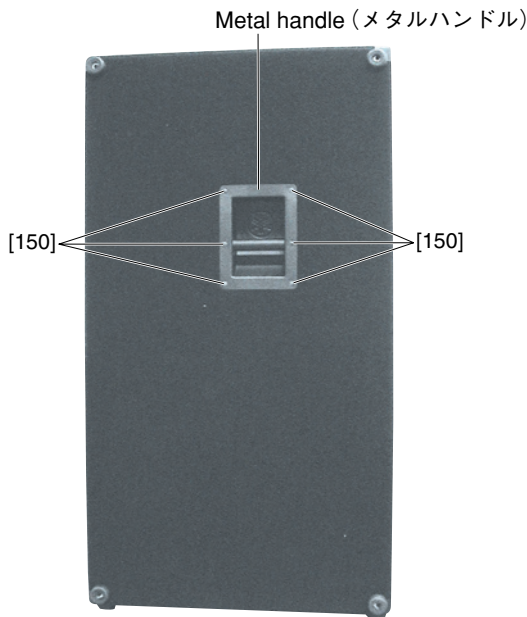
1. メタルハンドル (所要時間：約1分)

1-1 [150]のネジ6本を外し、メタルハンドルを外します。(写真1)

2. ゴム脚 (所要時間：約1分)

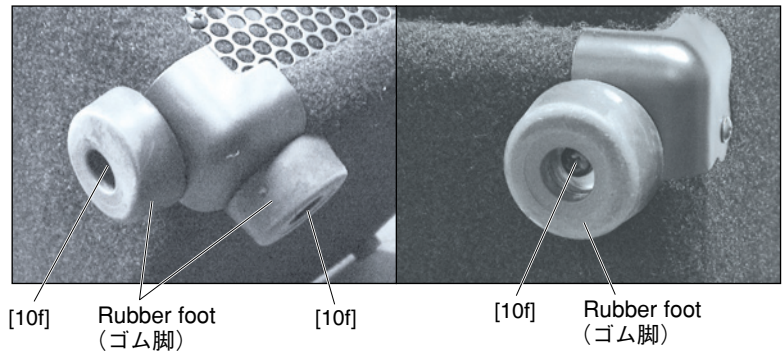
2-1 [10f]のネジ1本を外し、ゴム脚を外します。(写真2)

2-2 ゴム脚が2個の場合、[10f]のネジ2本をそれぞれ外します。(写真2)



[150]: TH SMS Screw (トラスねじ) #8 x 3/4 BLACK (WJ911600)

Photo 1 (写真1)



[10f]: Pan Head PB Screw (鍋ねじ) #10 x 1 BLK (WJ911300)

Photo 2 (写真2)

3. Woofer (Time required: About 3 minutes)

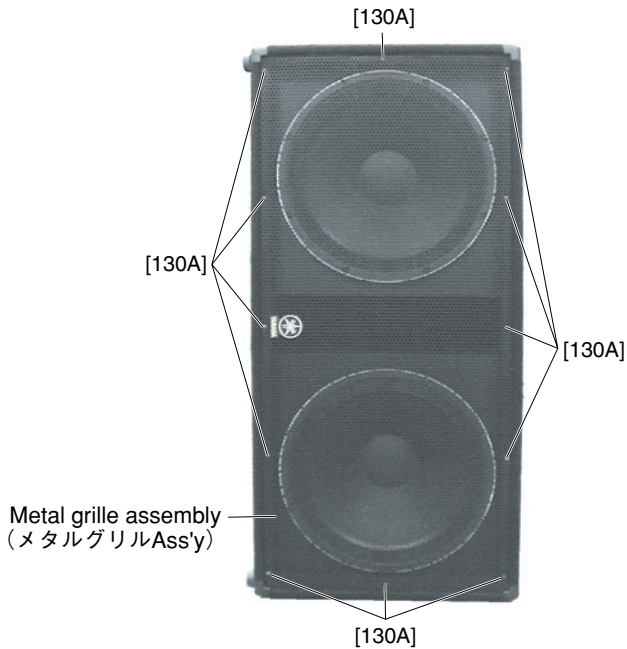
3-1 Remove the twelve (12) screws marked [130A]. The metal grille assembly can then be removed. (Photo 3)

3-2 Remove the eight (8) screws marked [140]. The woofer can then be removed. (Photo 4)

3. ウーファー (所要時間：約3分)

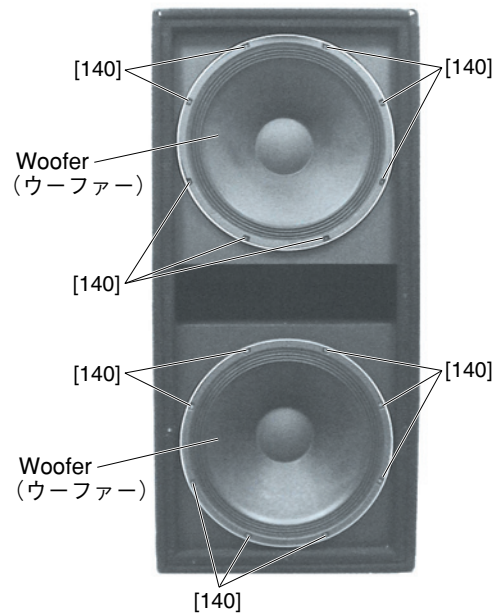
3-1 [130A]のネジ12本を外し、メタルグリル Ass'y を外します。(写真3)

3-2 [140]のネジ8本を外し、ウーファーを外します。(写真4)



[130]: TH Sheet Metal Screw (トラスタップねじ) #6 x 5/8 BLK (WJ493800)

Photo 3 (写真3)



[140]: PAN HD Machine Screw (鍋ねじ) #10-32 x 1-1/2 (WJ624200)

Photo 4 (写真4)

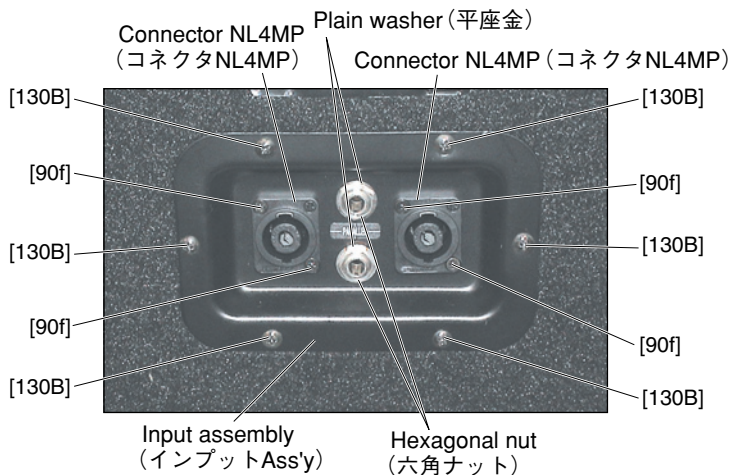
4. Input Assembly

(Time required: About 2 minutes)

- 4-1 Remove the six (6) screws marked [130B]. The input assembly can then be removed. (Photo 5)
- 4-2 Remove the two (2) screws marked [90f] and the two (2) hexagonal nuts marked [90e]. The connector NL4MP can then be removed. (Photo 5, 6)
- 4-3 Remove the hexagonal nut. The plain washer and phone jack can then be removed. (Photo 5, 6)

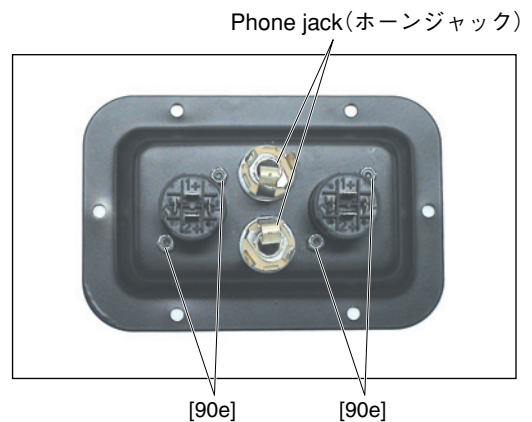
4. インプット Ass'y (所要時間：約2分)

- 4-1 [130B]のネジ6本を外し、インプット Ass'yを外します。(写真5)
- 4-2 [90f]のネジ2本と[90e]の六角ナット2個を外し、コネクタ NL4MPを外します。(写真5、6)
- 4-3 六角ナットを外し、平座金とホーンジャックを外します。(写真5、6)



[90f]: FH Machining Screw (皿ねじ) #4-40 x 3/8 ZN BL (WJ372100)
[130]: TH Sheet Metal Screw (トラスタップねじ) #6 x 5/8 BLK (WJ493800)

Photo 5 (写真5)



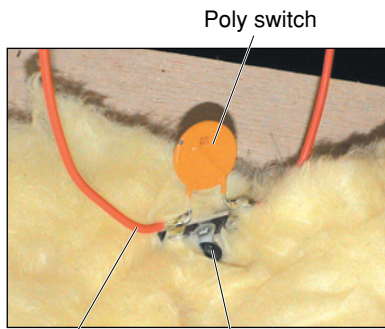
[90e]: Hexagonal Nut (六角ナット) #4-40 NYLOK NUT (WJ372000)

Photo 6 (写真6)

5. Wire Harness A

(Time required: About 7 minutes)

- 5-1 Remove the upper and lower woofer. (See procedure 3)
- 5-2 Remove the two (2) screws marked [130C]. The wire harness A can then be removed. (Photo 7, 8)



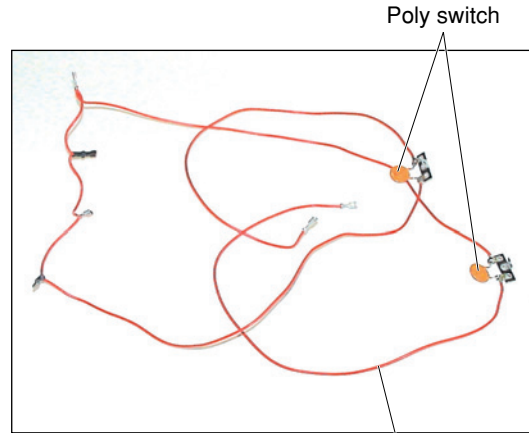
Wire harness A (ワイヤーハーネスA) [130C]

[130]: TH Sheet Metal Screw (トラスタップねじ) #6 x 5/8 BLK (WJ493800)

Photo 7 (写真7)

5. ワイヤーハーネス A (所要時間：約7分)

- 5-1 上下のウーファーを外します。(3項参照)
- 5-2 [130C]のネジ2本を外し、ワイヤーハーネスAを外します。(写真7、8)



Wire harness A (ワイヤーハーネスA)

Photo 8 (写真8)

NEUTRIK NL4FC PLUG WIRING

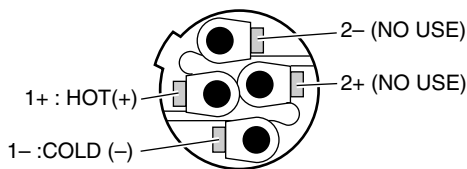
(スピコン NEUTRIK NL4FC プラグの配線)

If you will be using the Neutrik connectors for speaker input, wire the plugs as shown below.

(Neutrik NL4FCプラグは図のように配線してください。)

Be sure to use proper speaker cable — NOT shielded instrument or line cable — for all speaker connections.

(ケーブルは、スピーカーケーブルを使用してください。)



Neutrik NL4FC connector

CLUB Series SPEAKER SYSTEM/ SUBWOOFER

PARTS LIST

■ CONTENTS (目次)


OVERALL ASSEMBLY (総組立)	2
• S112V	2
• S115V	4
• S215V	6
• SM10V	8
• SM12V	10
• SM15V	12
• SW115V	14
• SW118V	16
• SW218V	18

Notes : DESTINATION ABBREVIATIONS

A : Australian model	M : South African model
B : British model	O : Chinese model
C : Canadian model	Q : South-east Asia model
D : German model	T : Taiwan model
E : European model	U : U.S.A. model
F : French model	V : General export model (110V)
H : North European model	W : General export model (220V)
I : Indonesian model	N,X: General export model
J : Japanese model	Y : Export model
K : Korean model	

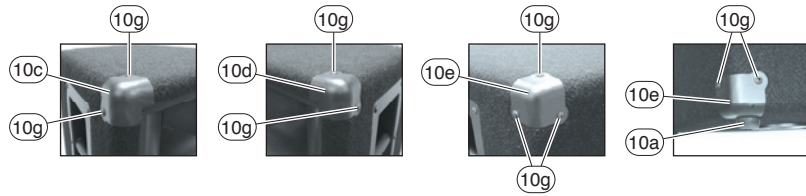
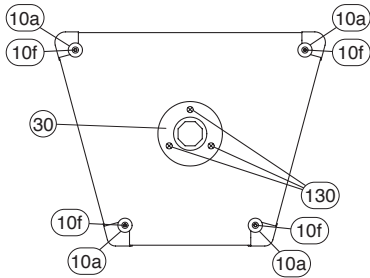
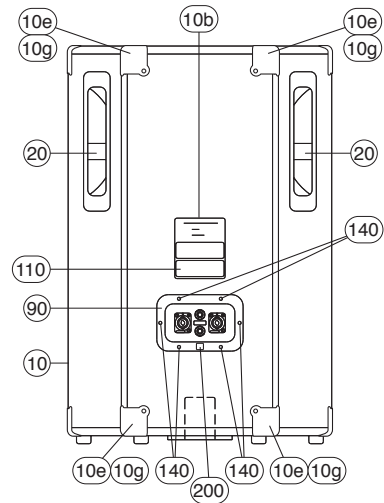
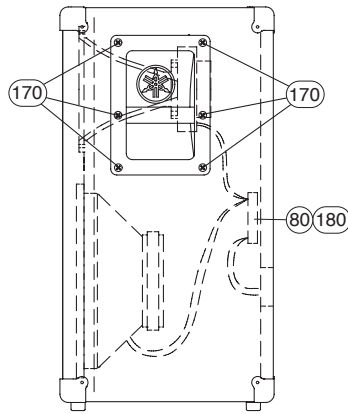
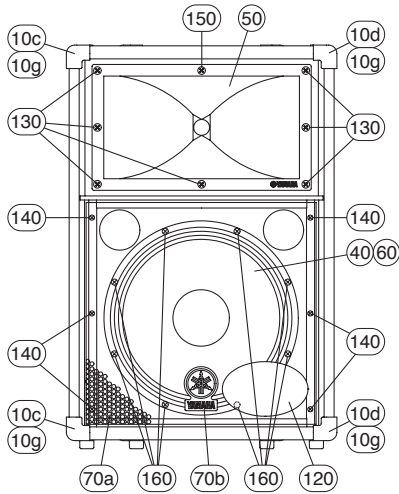
■ WARNING

Components having special characteristics are marked  and must be replaced with parts having specification equal to those originally installed.

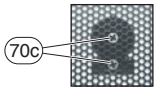
 印の部品は、安全を維持するために重要な部品です。交換する場合は、安全のために必ず指定の部品をご使用ください。

- The numbers "QTY" show quantities for each unit.
- The parts with "--" in "PART NO." are not available as spare parts.
- This mark "}" in the REMARKS column means these parts are interchangeable.
- The second letter of the shaded (■) part number is O, not zero.
- The second letter of the shaded (■) part number is I, not one.
- 部品価格ランクは、変更になることがあります。
- QTY 欄に記されている数字は、各ユニット当たりの使用個数です。
- PART NO. が "--" の部品は、サービス用部品として準備されておりません。
- REMARKS 欄の「}」マークの部品は、併用部品です。
- 網掛けの付いた PART NO. の 2 番目の文字は「ゼロ」ではなく、「オー」です。
- 網掛けの付いた PART NO. の 2 番目の文字は「イチ」ではなく、「アイ」です。

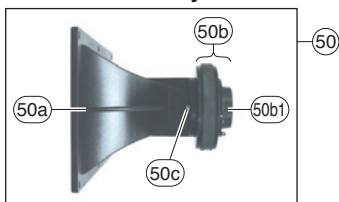
OVERALL ASSEMBLY (総組立) : S112V



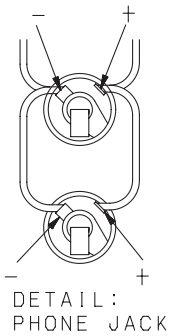
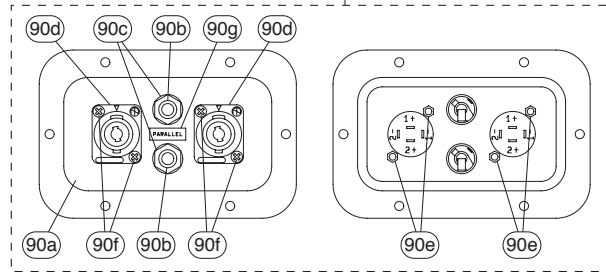
● **Push Nut**



● **Horn Assembly**

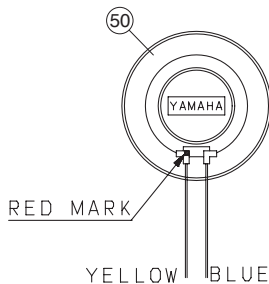
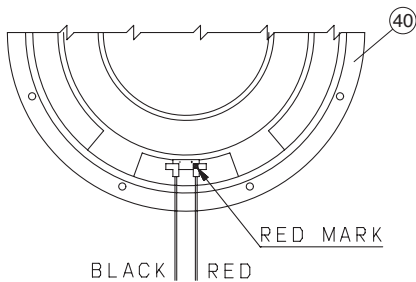
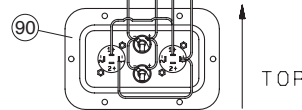


● **Input Assembly**



FROM CROSSOVER NETWORK

ORANGE (NAKED TERMINAL) + ORANGE (COVERED TERMINAL) 1+
 WHITE (NAKED TERMINAL) - WHITE (COVERED TERMINAL) 1-



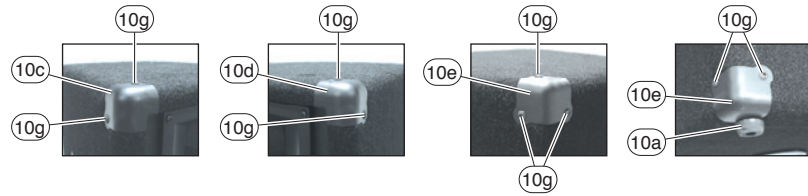
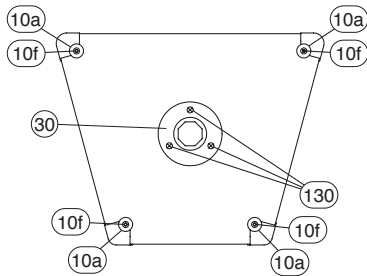
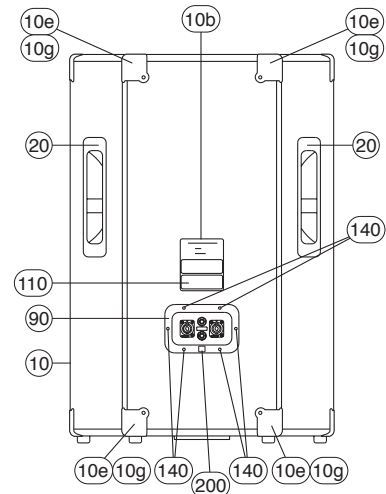
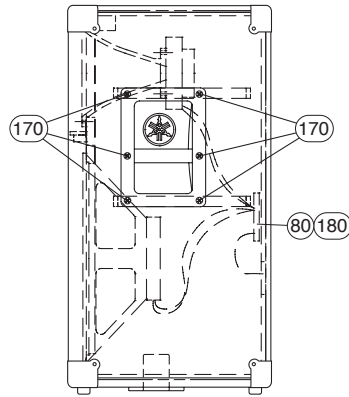
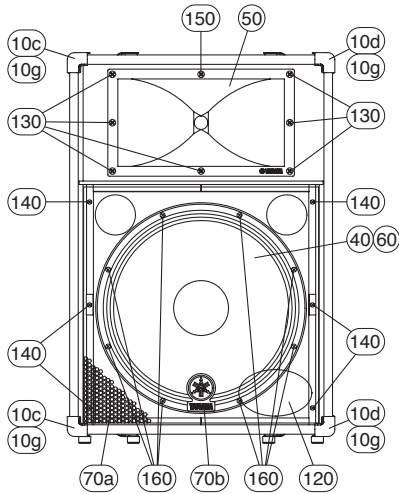
**CLUB Series
SPEAKER SYSTEM/
SUBWOOFER**

REF NO.	PART NO.	DESCRIPTION	部 品 名	REMARKS	QTY	RANK
		OVERALL ASSEMBLY		S112V		
	--	Overall Assembly	PA J	YJ (WJ34710)		
	--	Overall Assembly	PA CHN	O (WK73500)		
* 10	--	Cabinet Assembly		(WJ34720)		
* 10a	WJ352600	Rubber Foot		(CBY01890)	4	
* 10b	--	Label		(WJ35280)		
* 10c	WJ232700	Corner Protector 75L		(AAY02590)	2	
* 10d	WJ232800	Corner Protector 75R		(AAY02600)	2	
* 10e	WJ233000	Corner Protector 105		(AAY02640)	4	
* 10f	WJ911300	Pan Head PB Screw	#10X1 BLK	(EKY01240)	4	
* 10g	WJ493800	TH Sheet Metal Screw	#6X5/8 BLK	(ETAG1030)	16	
* 20	WJ213700	Metal Handle		(AAY02580)	2	
* 30	WJ355400	Pole Socket	TSM	(CBY03910)		
* 40	X8456A00	Woofer	30 8 175	LF 12" (JAY51200)		
* 50	WJ356400	Horn Assembly	MIPA 8F87	(NBY07370)		
* 50a	WJ356100	Horn		(CBY05490)		
* 50b	X8454A00	Horn Driver	5.0 16	HF		
* 50b1	WK235000	Diaphragm Assembly		(NBE20610)		
* 50c	WJ356300	Hex Head Mach Screw	1/4X5/8 inch	(EKY01340)	2	16
* 60	WJ356500	Gasket	9.5	(CBY01480)		
* 70	--	Metal Grille Assembly		(WJ36300)		
* 70a	WJ365300	Metal Grille		(AAY02660)		
* 70b	WJ370400	Logo Badge		(CBY05500)		
* 70c	WJ370500	Push Nut		(AAX52740)	2	
* 80	WJ367900	Cross-Over Network	12	(NBY07310)		
* 90	WJ370600	Input Assembly	PA 8F87	(NBY07360)		
* 90a	--	Input Panel		(WJ37090)		
* 90b	WJ371200	Phone Jack	PA	(LBY00150)	2	
* 90c	WJ371700	Plain Washer	3/8inch	(EWPP0010)	2	
* 90d	WJ371800	Connector NL4MP	4P NL4MP	(LAY00180)	2	
* 90e	WJ372000	Hexagonal Nut	#4-40 NYLOK NUT	(EKY01540)	4	
* 90f	WJ372100	FH Machining Screw	#4-40X3/8 ZN BL	(EFME0630)	4	
* 90g	--	Decal		(WJ37220)		
* 110	--	Serial Label		(WJ37250)		
* 120	--	Pop Label		(WJ36840)		
* 130	WJ911300	Pan Head PB Screw	#10X1 BLK	(EKY01240)	10	
* 140	WJ493800	TH Sheet Metal Screw	#6X5/8 BLK	(ETAG1030)	12	
* 150	WJ911400	PH SMS Screw	PHSMS #10X1-1/2 BL	(EPAK2430)		
* 160	WJ911500	Pan Head PB Screw	PHPBS #8X1 BLK	(EKY01460)	8	
* 170	WJ911600	TH SMS Screw	#8X3/4 BLACK	(ETAH1230)	12	
* 180	WJ911700	Pan Head SM Screw	PHSMS #6X3/4 BLK	(EPAG1230)	4	
* 200	--	Label		O (WK53590)		

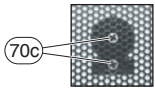
*: New Parts

RANK: Japan only

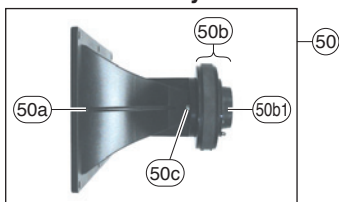
OVERALL ASSEMBLY (総組立) : S115V



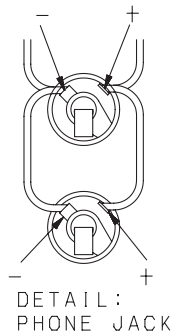
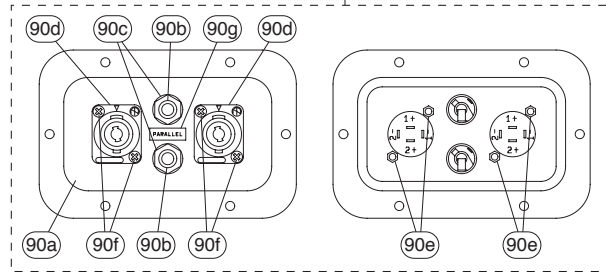
● **Push Nut**



● **Horn Assembly**

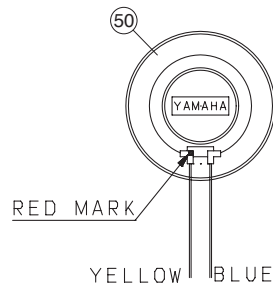
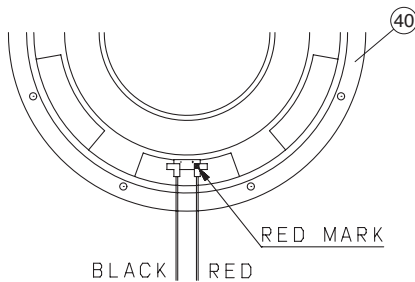
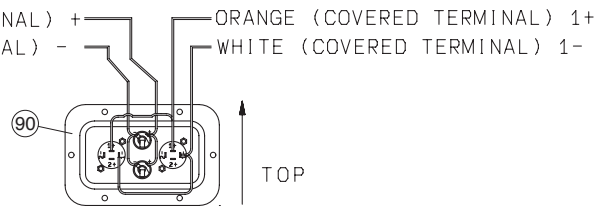


● **Input Assembly**



FROM CROSSOVER NETWORK

ORANGE (NAKED TERMINAL) +
 WHITE (NAKED TERMINAL) -



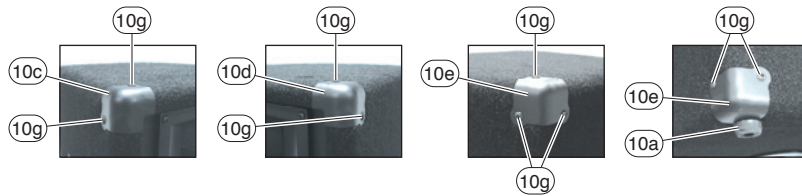
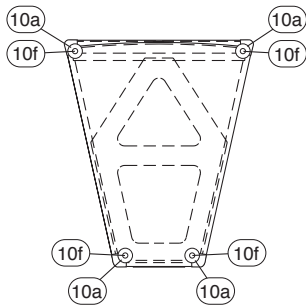
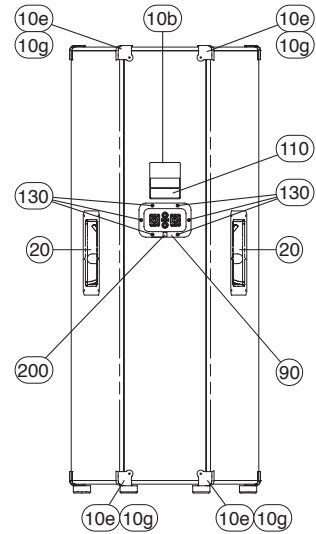
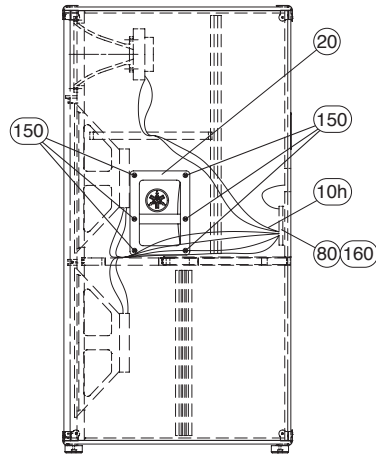
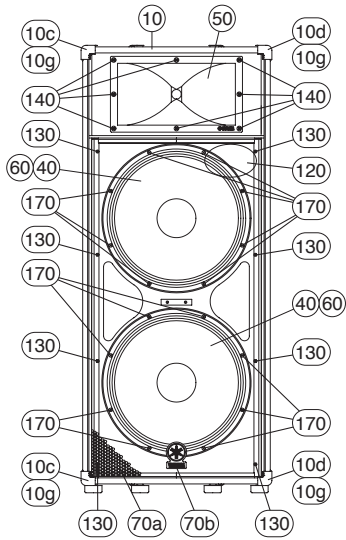
**CLUB Series
SPEAKER SYSTEM/
SUBWOOFER**

REF NO.	PART NO.	DESCRIPTION	部 品 名	REMARKS	QTY	RANK
		OVERALL ASSEMBLY		S115V		
	--	Overall Assembly	PA J	YJ (WJ38570)		
	--	Overall Assembly	PA CHN	O (WK73510)		
* 10	--	Cabinet Assembly		(WJ38380)		
* 10a	WJ352600	Rubber Foot	キャビネット A s s ' y ゴ ム 脚	(CBY01890)	4	
* 10b	--	Label	注 意 文 ラ ベ ル	(WJ35280)		
* 10c	WJ232700	Corner Protector 75L	ブ ロ テ ク タ ー 7 5 L	(AAY02590)	2	
* 10d	WJ232800	Corner Protector 75R	ブ ロ テ ク タ ー 7 5 R	(AAY02600)	2	
* 10e	WJ233000	Corner Protector 105	ブ ロ テ ク タ ー 1 0 5	(AAY02640)	4	
* 10f	WJ911300	Pan Head PB Screw	#10X1 BLK	鍋 ね じ (EKY01240)	4	
* 10g	WJ493800	TH Sheet Metal Screw	#6X5/8 BLK	ト ラ ス タ ッ プ ね じ (ETAG1030)	16	
* 20	WJ213700	Metal Handle		メ タ ル ハ ン ド ル (AAY02580)	2	
* 30	WJ355400	Pole Socket	TSM	ポ ー ル ソ ケ ッ ト (CBY03910)		
* 40	X8457A00	Woofer	38 8 250	ス ピ ー カ LF 15" (JAY61320)		
* 50	WJ356400	Horn Assembly	MIPA 8F87	ホ ー ン A s s ' y (NBY07370)		
* 50a	WJ356100	Horn		ホ ー ン (CBY05490)		
* 50b	X8454A00	Horn Driver	5.0 16	ス ピ ー カ HF (JAY20610)		
* 50b1	WK235000	Diaphragm Assembly		ダ イ ヤ フ ラ ム A s s ' y (NBE20610)		16
* 50c	WJ356300	Hex Head Mach Screw	1/4X5/8 inch	歯 付 座 金 付 六 角 ボ ル ト (EKY01340)	2	
* 60	WJ356500	Gasket	9.5	ガ ス ケ ッ ト (CBY01480)		
* 70	--	Metal Grille Assembly		メ タ ル グ リ ル A s s ' y (WJ36310)		
* 70a	WJ365400	Metal Grille		メ タ ル グ リ ル (AAY02680)		
* 70b	WJ370400	Logo Badge		ロ ゴ バ ッ ジ (CBY05500)		
* 70c	WJ370500	Push Nut		プ ッ シ ュ ナ ッ ト (AAX52740)	2	
* 80	WJ367800	Cross-Over Network	15	ネ ッ ト ワ ー ク (NBY07300)		
* 90	WJ370600	Input Assembly	PA 8F87	イ ン プ ッ ト A s s ' y (NBY07360)		
* 90a	--	Input Panel		イ ン プ ッ ト パ ネ ル (WJ37090)		
* 90b	WJ371200	Phone Jack	PA	ホ ー ン ジャ ッ ク (LBY00150)	2	
* 90c	WJ371700	Plain Washer	3/8inch	平 座 金 (EWPP0010)	2	
* 90d	WJ371800	Connector NL4MP	4P NL4MP	コ ネ ク タ N L 4 M P (LAY00180)	2	
* 90e	WJ372000	Hexagonal Nut	#4-40 NYLOK NUT	六 角 ナ ッ ト (EKY01540)	4	
* 90f	WJ372100	FH Machining Screw	#4-40X3/8 ZN BL	皿 ね じ (EFME0630)	4	
* 90g	--	Decal		デ カ ー ル (WJ37220)		
* 110	--	Serial Label		シ リ アル ノ ラ ベ ル (WK60880)		
* 120	--	Pop Label		ポ ッ プ ラ ベ ル (WJ36850)		
* 130	WJ911300	Pan Head PB Screw	#10X1 BLK	鍋 ね じ (EKY01240)	10	
* 140	WJ493800	TH Sheet Metal Screw	#6X5/8 BLK	ト ラ ス タ ッ プ ね じ (ETAG1030)	12	
* 150	WJ911400	PH SMS Screw	PHSMS #10X1-1/2 BL	鍋 ね じ (EPAK2430)		
* 160	WJ494200	Pan HD Machine Screw	#10-32X1 BLK	鍋 ね じ (EKY01000)	8	
* 170	WJ911600	TH SMS Screw	#8X3/4 BLACK	ト ラ ス ね じ (ETAH230)	12	
* 180	WJ911700	Pan Head SM Screw	PHSMS #6X3/4 BLK	鍋 ね じ (EPAG1230)	4	
* 200	--	Label		E マ ー ク ラ ベ ル O (WK53590)		

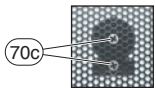
*: New Parts

RANK: Japan only

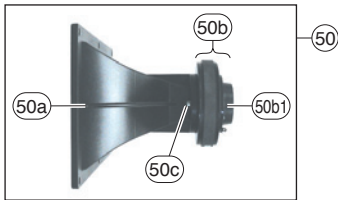
OVERALL ASSEMBLY (総組立) : S215V



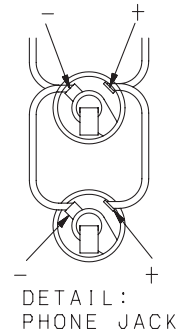
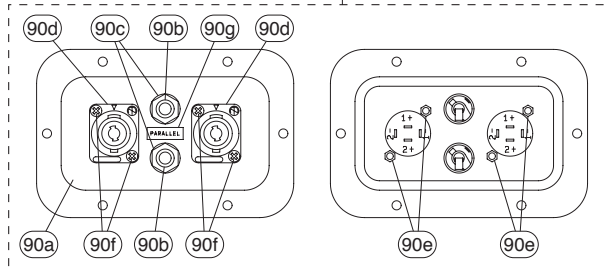
● Push Nut



● Horn Assembly

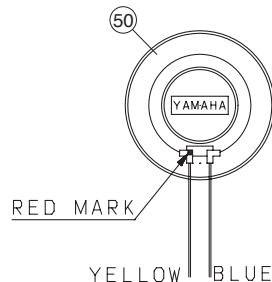
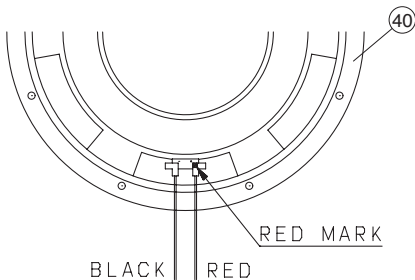
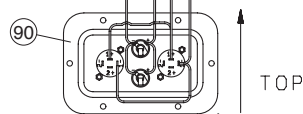


● Input Assembly



FROM CROSSOVER NETWORK

ORANGE (NAKED TERMINAL) + ORANGE (COVERED TERMINAL) 1+
 WHITE (NAKED TERMINAL) - WHITE (COVERED TERMINAL) 1-



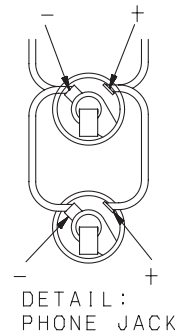
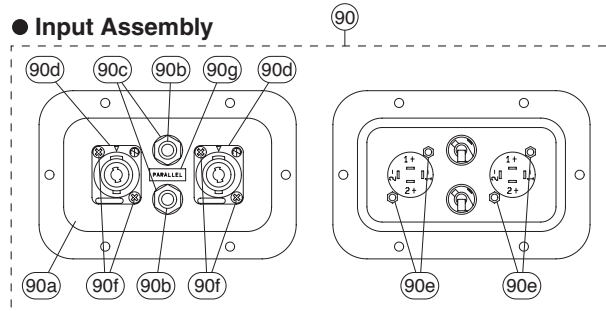
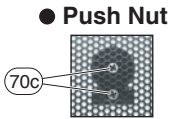
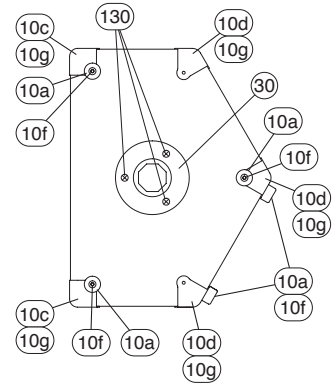
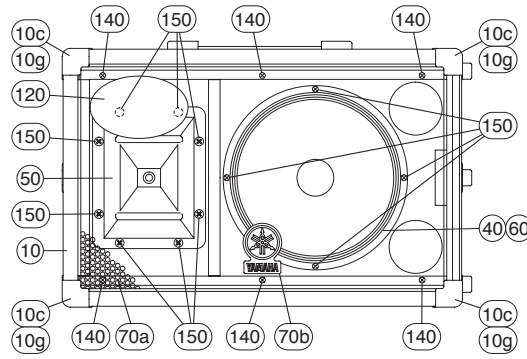
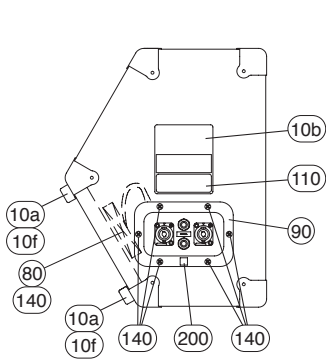
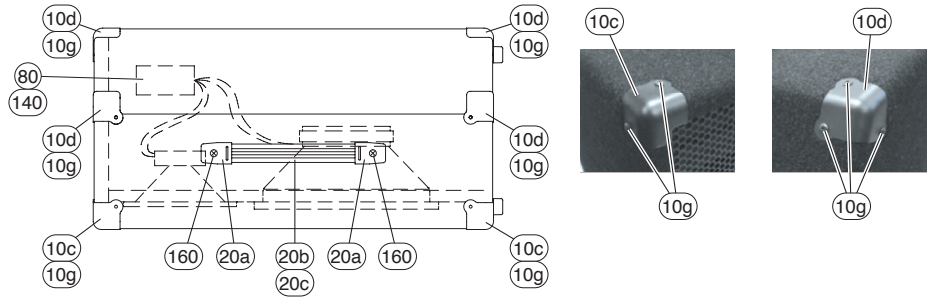
**CLUB Series
SPEAKER SYSTEM/
SUBWOOFER**

REF NO.	PART NO.	DESCRIPTION		部 品 名	REMARKS	QTY	RANK
		OVERALL ASSEMBLY		総 組 立	S215V		
	--	Overall Assembly	PA J	総 組 立	YJ	(WJ38580)	
	--	Overall Assembly	PA CHN	総 組 立	O	(WK73520)	
* 10	--	Cabinet Assembly		キャビネット A s s ' y		(WJ38390)	
* 10a	WJ352700	Rubber Foot		ゴ ム 脚	(CBY03890)		4
* 10b	--	Label		注 意 文 ラ ベ ル		(WJ35280)	
* 10c	WJ232700	Corner Protector 75L		プ ロ テ ク タ ー 7 5 L	(AAY02590)		2
* 10d	WJ232800	Corner Protector 75R		プ ロ テ ク タ ー 7 5 R	(AAY02600)		2
* 10e	WJ233000	Corner Protector 105		プ ロ テ ク タ ー 1 0 5	(AAY02640)		4
* 10f	WJ911300	Pan Head PB Screw	#10X1 BLK	鍋 ね じ	(EKY01240)		4
* 10g	WJ493800	TH Sheet Metal Screw	#6X5/8 BLK	ト ラ ス タ ッ プ ね じ	(ETAG1030)		16
* 10h	WJ937700	Twist Tie		ビ ニ タ イ	(AAY00140)		2
* 20	WJ213700	Metal Handle		メ タ ル ハ ン ド ル	(JAY20610)		2
* 40	X8457A00	Woofer	38 8 250	ス ピ ー カ	LF 15" (JAY61320)		2
* 50	WJ356400	Horn Assembly	MIPA 8F87	ホ ー ン A s s ' y	(NBY07370)		
* 50a	WJ356100	Horn		ホ ー ン	(CBY05490)		
* 50b	X8454A00	Horn Driver	5.0 16	ス ピ ー カ	HF		
* 50b1	WK235000	Diaphragm Assembly		ダイアフラム A s s ' y	(NBE20610)		
* 50c	WJ356300	Hex Head Mach Screw	1/4X5/8 inch	歯 付 座 金 付 六 角 ボ ル ト	(EKY01340)		2
* 60	WJ356500	Gasket	9.5	ガ ス ケ ッ ト	(CBY01480)		
* 70	--	Metal Grille Assembly		メ タ ル グ リ ル A s s ' y		(WJ36320)	
* 70a	WJ365500	Metal Grille		メ タ ル グ リ ル	(AAY02700)		
* 70b	WJ370400	Logo Badge		ロ ゴ バ ッ ジ	(CBY05500)		
* 70c	WJ370500	Push Nut		プ ッ シ ュ ナ ッ ト	(AAX52740)		2
* 80	WJ368100	Cross-Over Network	215	ネ ッ ト ワ ー ク	(NBY07330)		
* 90	WJ370600	Input Assembly	PA 8F87	イ ン プ ッ ト A s s ' y	(NBY07360)		
* 90a	--	Input Panel		イ ン プ ッ ト パ ネ ル		(WJ37090)	
* 90b	WJ371200	Phone Jack	PA	ホ ー ン ジャ ッ ク	(LBY00150)		2
* 90c	WJ371700	Plain Washer	3/8inch	平 座 金	(EWPP0010)		2
* 90d	WJ371800	Connector NL4MP	4P NL4MP	コ ネ ク タ N L 4 M P	(LAY00180)		2
* 90e	WJ372000	Hexagonal Nut	#4-40 NYLOK NUT	六 角 ナ ッ ト	(EKY01540)		4
* 90f	WJ372100	FH Machining Screw	#4-40X3/8 ZN BL	皿 ね じ	(EFME0630)		4
* 90g	--	Decal		デ カ ー ル		(WJ37220)	
* 110	--	Serial Label		シ リ ア ル ノ ラ ベ ル		(WK60890)	
* 120	--	Pop Label		ポ ッ プ ラ ベ ル		(WJ36860)	
* 130	WJ493800	TH Sheet Metal Screw	#6X5/8 BLK	ト ラ ス タ ッ プ ね じ	(ETAG1030)		14
* 140	WJ494200	Pan HD Machine Screw	#10-32X1 BLK	鍋 ね じ	(EKY01000)		8
* 150	WJ911600	TH SMS Screw	#8X3/4 BLACK	ト ラ ス ね じ	(ETAH1230)		12
* 160	WJ911700	Pan Head SM Screw	PHSMS #6X3/4 BLK	鍋 ね じ	(EPAG1230)		6
* 170	WJ624200	Pan Head Machine Screw	#10-32X1-1/2	鍋 ね じ	(EKY00340)		16
* 200	--	Label		E マ ー ク ラ ベ ル	O	(WK53590)	

*: New Parts

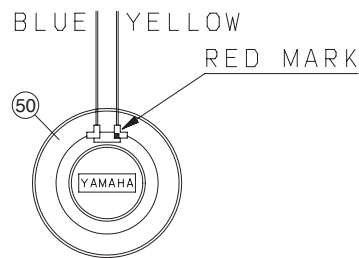
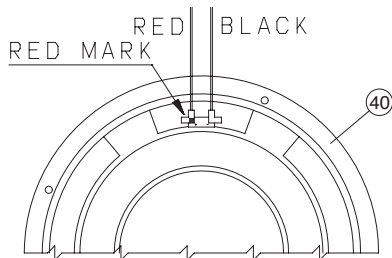
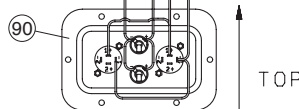
RANK: Japan only

OVERALL ASSEMBLY (総組立) : SM10V



FROM CROSSOVER NETWORK

ORANGE (NAKED TERMINAL) + ORANGE (COVERED TERMINAL) 1+
WHITE (NAKED TERMINAL) - WHITE (COVERED TERMINAL) 1-



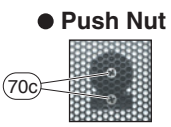
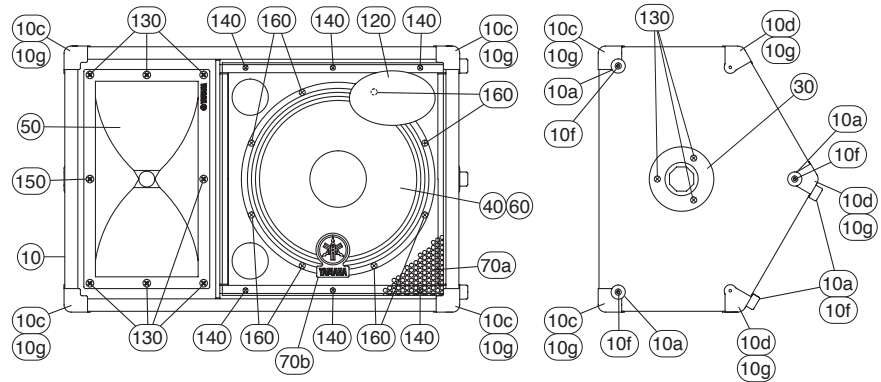
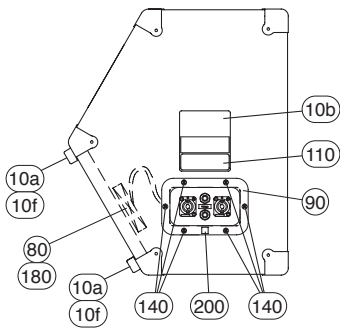
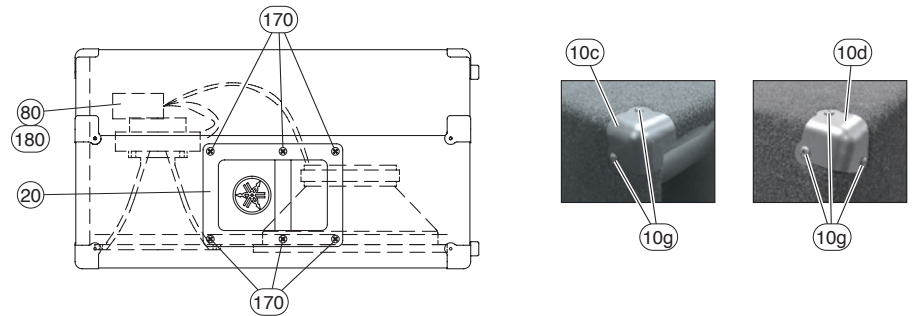
CLUB Series
SPEAKER SYSTEM/
SUBWOOFER

REF NO.	PART NO.	DESCRIPTION		部 品 名	REMARKS	QTY	RANK
		OVERALL ASSEMBLY		総 組 立	SM10V		
	--	Overall Assembly	PA J	総 組 立	YJ (WJ38590)		
	--	Overall Assembly	PA CHN	総 組 立	O (WK73530)		
* 10	--	Cabinet Assembly		キャビネット A s s ' y	(WJ38400)		
* 10a	WJ352600	Rubber Foot		ゴ ム 脚	(CBY01890)	7	
* 10b	--	Label		注 意 文 ラ ベ ル	(WJ35280)		
* 10c	WJ233200	Corner Protector WP1		プ ロ テ ク タ ー W P 1	(AAY02610)	4	
* 10d	WJ233100	Corner Protector 120		プ ロ テ ク タ ー 1 2 0	(AAY02650)	6	
* 10f	WJ911300	Pan Head PB Screw	#10X1 BLK	鍋 ね じ	(EKY01240)	7	
* 10g	WJ493800	TH Sheet Metal Screw	#6X5/8 BLK	ト ラ ス タ ッ プ ね じ	(ETAG1030)	19	
* 20	--	Handle Assembly	PA	ハ ン ド ル A s s ' y	(WJ44130)		
* 20a	WJ441400	Strap Handle Bracket		ハ ン ド ル プ ラ ケ ッ ト	(AAY02120)	2	
* 20b	WJ441500	Strap Handle		ス ト ラ ッ プ ハ ン ド ル	(CBY01900)		
* 20c	WJ441600	Strap Handle Insert		ハ ン ド ル イ ン サ ー ト	(AAY01200)		
* 30	WJ355400	Pole Socket	TSM	ポ ー ル ソ ケ ッ ト	(CBY03910)		
* 40	X8455A00	Woofer	25 8 125	ス ピ ー カ	LF 10" (JAY40400)		
* 50	X8453A00	Tweeter	2.5 8	ス ピ ー カ	HF (JAY31100)		
* 60	WJ356500	Gasket	9.5	ガ ス ケ ッ ト	(CBY01480)		
* 70	--	Metal Grille Assembly		メ タ ル グ リ ル A s s ' y	(WJ36330)		
* 70a	WJ365600	Metal Grille		メ タ ル グ リ ル	(AAY02710)		
* 70b	WJ370400	Logo Badge		ロ ゴ バ ッ ジ	(CBY05500)		
* 70c	WJ370500	Push Nut		プ ッ シ ュ ナ ッ ト	(AAX52740)	2	
* 80	WJ368000	Cross-Over Network	10	ネ ッ ト ワ ー ク	(NBY07320)		
* 90	WJ370600	Input Assembly	PA 8F87	イ ン プ ッ ト A s s ' y	(NBY07360)		
* 90a	--	Input Panel		イ ン プ ッ ト パ ネ ル	(WJ37090)		
* 90b	WJ371200	Phone Jack	PA	ホ ー ン ジ ャ ッ ク	(LBY00150)	2	
* 90c	WJ371700	Plain Washer	3/8inch	平 座 金	(EWPP0010)	2	
* 90d	WJ371800	Connector NL4MP	4P NL4MP	コ ネ ク タ N L 4 M P	(LAY00180)	2	
* 90e	WJ372000	Hexagonal Nut	#4-40 NYLOK NUT	六 角 ナ ッ ト	(EKY01540)	4	
* 90f	WJ372100	FH Machining Screw	#4-40X3/8 ZN BL	皿 ね じ	(EFME0630)	4	
90g	--	Decal		デ カ ー ル	(WJ37220)		
110	--	Serial Label		シ リ ア ル N O ラ ベ ル	(WK60900)		
120	--	Pop Label		ポ ッ プ ラ ベ ル	(WJ36870)		
* 130	WJ911300	Pan Head PB Screw	#10X1 BLK	鍋 ね じ	(EKY01240)	3	
* 140	WJ493800	TH Sheet Metal Screw	#6X5/8 BLK	ト ラ ス タ ッ プ ね じ	(ETAG1030)	16	
* 150	WJ911500	Pan Head PB Screw	PHPBS #8X1 BLK	鍋 ね じ	(EKY01460)	12	
* 160	WJ911800	OH Machine Screw	OHMS#10-32X1-1/4BL	小 ね じ	(EKY01260)	2	
200	--	Label		E マ ー ク ラ ベ ル	O (WK53590)		

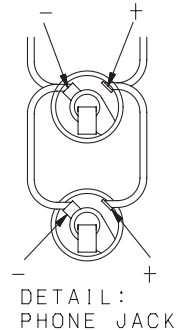
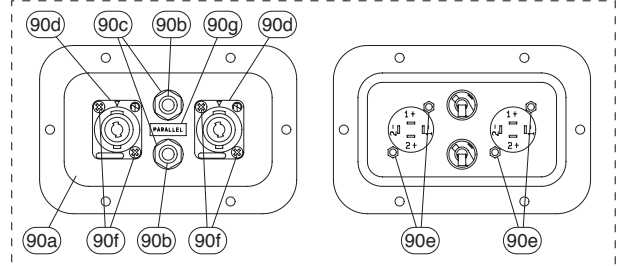
*: New Parts

RANK: Japan only

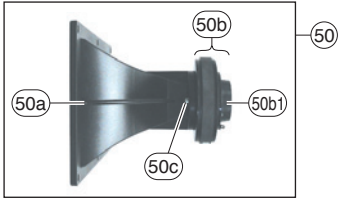
OVERALL ASSEMBLY (総組立) : SM12V



● Input Assembly

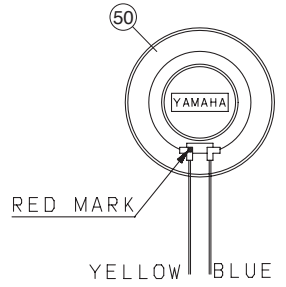
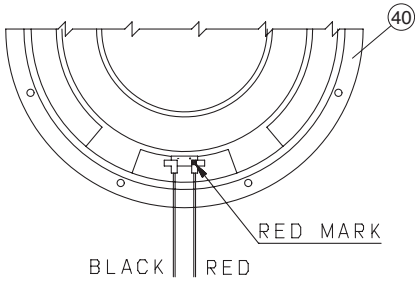
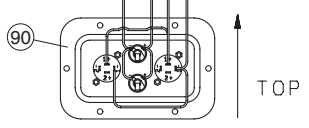


● Horn Assembly



FROM CROSSOVER NETWORK

ORANGE (NAKED TERMINAL) + ORANGE (COVERED TERMINAL) 1+
WHITE (NAKED TERMINAL) - WHITE (COVERED TERMINAL) 1-



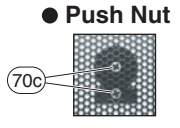
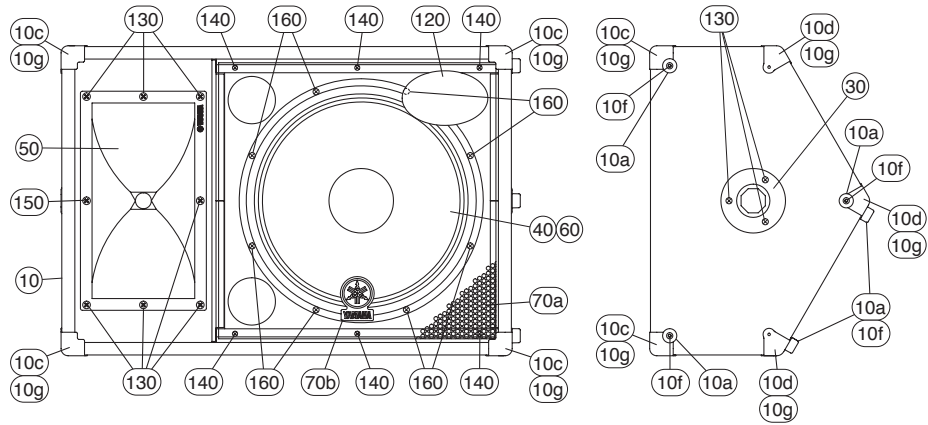
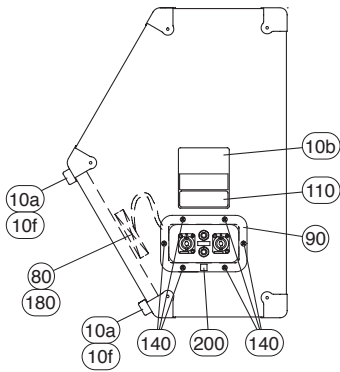
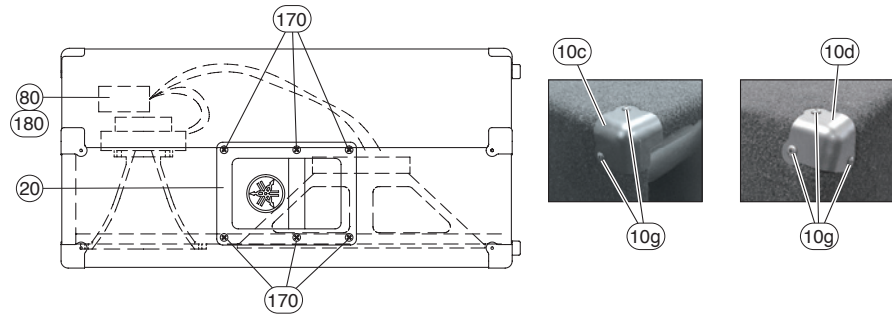
**CLUB Series
SPEAKER SYSTEM/
SUBWOOFER**

REF NO.	PART NO.	DESCRIPTION	部 品 名	REMARKS	QTY	RANK
		OVERALL ASSEMBLY		総組立 SM12V		
	--	Overall Assembly	PA J	総組立 YJ (WJ38600)		
	--	Overall Assembly	PA CHN	総組立 O (WK73540)		
	--	Cabinet Assembly		キャビネット Ass'y (WJ38410)		
* 10a	WJ352600	Rubber Foot		ゴム脚 (CBY01890)	7	
* 10b	--	Label		注意文ラベル (WJ35280)		
* 10c	WJ233200	Corner Protector WP1		プロテクター WP1 (AAY02610)	4	
* 10d	WJ233100	Corner Protector 120		プロテクター 120 (AAY02650)	6	
* 10f	WJ911300	Pan Head PB Screw	#10X1 BLK	鍋ねじ (EKY01240)	7	
* 10g	WJ493800	TH Sheet Metal Screw	#6X5/8 BLK	トラスタップねじ (ETAG1030)	19	
* 20	WJ213700	Metal Handle		メタルハンドル (AAY02580)		
* 30	WJ355400	Pole Socket	TSM	ポールソケット (CBY03910)		
* 40	X8456A00	Woofer	30 8 175	スピーカ LF 12" (JAY51200)		
* 50	WJ356400	Horn Assembly	MIPA 8F87	ホーン Ass'y (NBY07370)		
* 50a	WJ356100	Horn		ホーン (CBY05490)		
* 50b	X8454A00	Horn Driver	5.0 16	スピーカ HF (JAY20610)		
* 50b1	WK235000	Diaphragm Assembly		ダイヤフラム Ass'y (NBE20610)		16
* 50c	WJ356300	Hex Head Mach Screw	1/4X5/8 inch	歯付座金付六角ボルト (EKY01340)	2	
* 60	WJ356500	Gasket	9.5	ガスケット (CBY01480)		
* 70	--	Metal Grille Assembly		メタルグリル Ass'y (WJ36340)		
* 70a	WJ365700	Metal Grille		メタルグリル (AAY02670)		
* 70b	WJ370400	Logo Badge		ロゴバッジ (CBY05500)		
* 70c	WJ370500	Push Nut		プッシュナット (AAX52740)	2	
* 80	WJ367900	Cross-Over Network	12	ネットワーク (NBY07310)		
* 90	WJ370600	Input Assembly	PA 8F87	インプット Ass'y (NBY07360)		
* 90a	--	Input Panel		インプットパネル (WJ37090)		
* 90b	WJ371200	Phone Jack	PA	ホーンジャック (LBY00150)	2	
* 90c	WJ371700	Plain Washer	3/8inch	平座金 (EWPP0010)	2	
* 90d	WJ371800	Connector NL4MP	4P NL4MP	コネクタ NL 4 M P (LAY00180)	2	
* 90e	WJ372000	Hexagonal Nut	#4-40 NYLOK NUT	六角ナット (EKY01540)	4	
* 90f	WJ372100	FH Machining Screw	#4-40X3/8 ZN BL	皿ねじ (EFME0630)	4	
* 90g	--	Decal		デカール (WJ37220)		
* 110	--	Serial Label		シリアル NO ラベル (WK60910)		
* 120	--	Pop Label		ポップラベル (WJ36880)		
* 130	WJ911300	Pan Head PB Screw	#10X1 BLK	鍋ねじ (EKY01240)	10	
* 140	WJ493800	TH Sheet Metal Screw	#6X5/8 BLK	トラスタップねじ (ETAG1030)	12	
* 150	WJ911400	PH SMS Screw	PHSMS #10X1-1/2 BL	鍋ねじ (EPAK2430)		
* 160	WJ911500	Pan Head PB Screw	PHPBS #8X1 BLK	鍋ねじ (EKY01460)	8	
* 170	WJ911600	TH SMS Screw	#8X3/4 BLACK	トラスねじ (ETAH1230)	6	
* 180	WJ911700	Pan Head SM Screw	PHSMS #6X3/4 BLK	鍋ねじ (EPAG1230)	4	
* 200	--	Label		E マークラベル O (WK53590)		

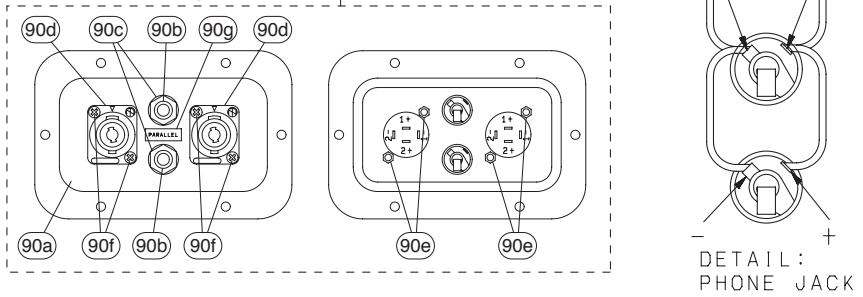
*: New Parts

RANK: Japan only

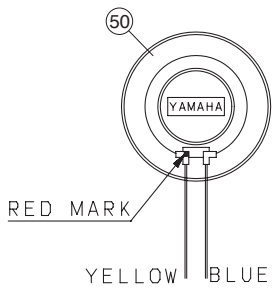
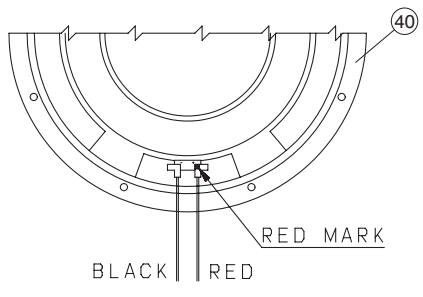
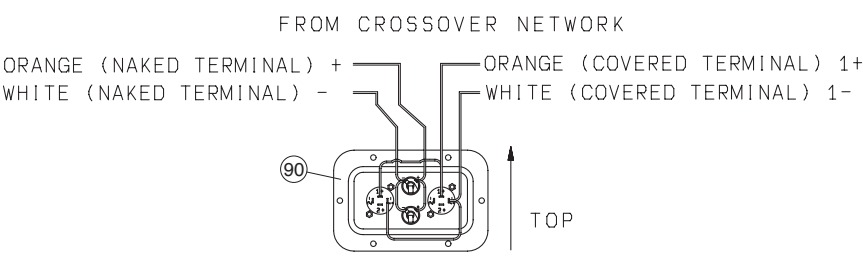
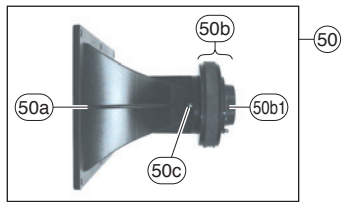
OVERALL ASSEMBLY (総組立) : SM15V



● Input Assembly



● Horn Assembly



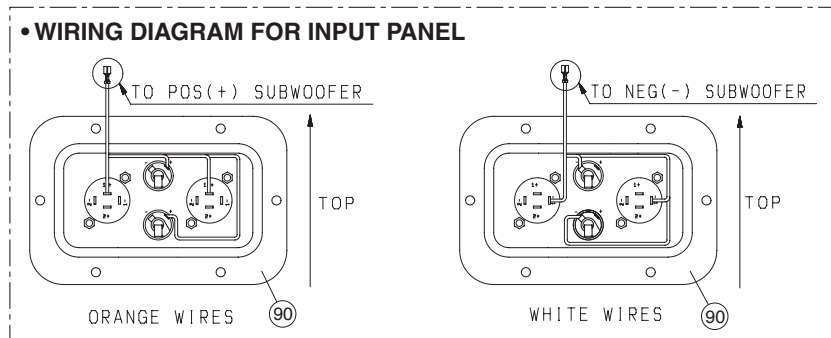
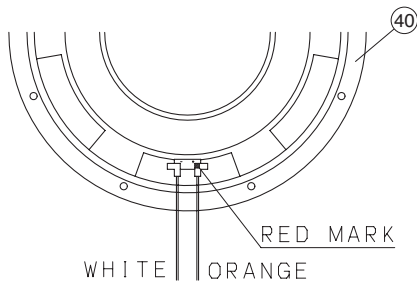
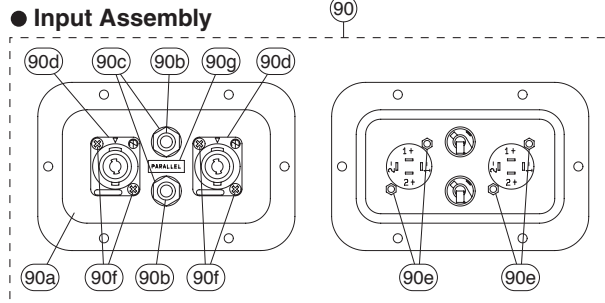
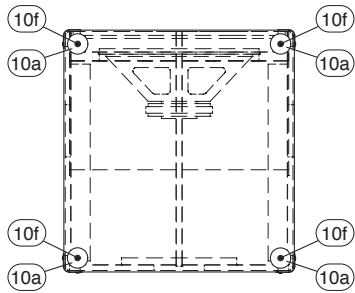
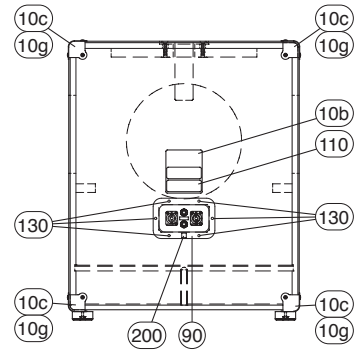
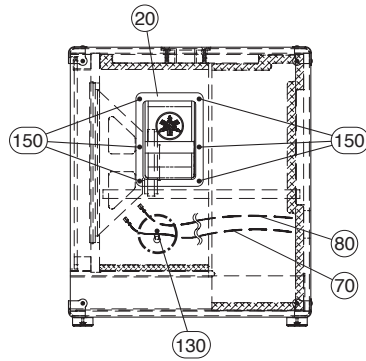
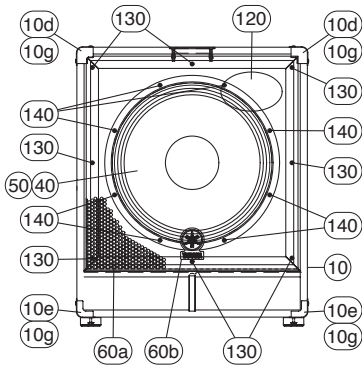
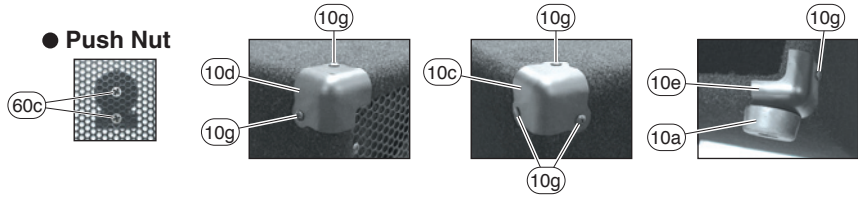
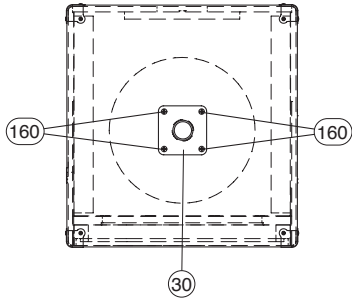
CLUB Series
SPEAKER SYSTEM/
SUBWOOFER

REF NO.	PART NO.	DESCRIPTION		部 品 名	REMARKS	QTY	RANK
		OVERALL ASSEMBLY		総 組 立	SM15V		
	--	Overall Assembly	PA J	総 組 立	YJ (WJ38610)		
	--	Overall Assembly	PA CHN	総 組 立	O (WK73550)		
	--	Cabinet Assembly		キャビネット A s s ' y	(WJ38420)		
* 10a	WJ352600	Rubber Foot		ゴ ム 脚	(CBY01890)	7	
* 10b	--	Label		注 意 文 ラ ベ ル	(WJ35280)		
* 10c	WJ233200	Corner Protector WP1		プ ロ テ ク タ ー W P 1	(AAY02610)	4	
* 10d	WJ233100	Corner Protector 120		プ ロ テ ク タ ー 1 2 0	(AAY02650)	6	
* 10f	WJ911300	Pan Head PB Screw	#10X1 BLK	鍋 ね じ	(EKY01240)	7	
* 10g	WJ493800	TH Sheet Metal Screw	#6X5/8 BLK	ト ラ ス タ ッ プ ね じ	(ETAG1030)	19	
* 20	WJ213700	Metal Handle		メ タ ル ハ ン ド ル	(AAY02580)		
* 30	WJ355400	Pole Socket	TSM	ポ ー ル ソ ケ ッ ト	(CBY03910)		
* 40	X8457A00	Woofer	38 8 250	ス ピ ー カ	LF 15" (JAY61320)		
* 50	WJ356400	Horn Assembly	MIPA 8F87	ホ ー ン A s s ' y	(NBY07370)		
* 50a	WJ356100	Horn		ホ ー ン	(CBY05490)		
* 50b	X8454A00	Horn Driver	5.0 16	ス ピ ー カ	HF (JAY20610)		
* 50b1	WK235000	Diaphragm Assembly		ダ イ ヤ フ ラ ム A s s ' y	(NBE20610)		16
* 50c	WJ356300	Hex Head Mach Screw	1/4X5/8 inch	歯 付 座 金 付 六 角 ボ ル ト	(EKY01340)	2	
* 60	WJ356500	Gasket	9.5	ガ ス ケ ッ ト	(CBY01480)		
* 70	--	Metal Grille Assembly		メ タ ル グ リ ル A s s ' y	(WJ36350)		
* 70a	WJ365800	Metal Grille		メ タ ル グ リ ル	(AAY02690)		
* 70b	WJ370400	Logo Badge		ロ ゴ バ ッ ジ	(CBY05500)		
* 70c	WJ370500	Push Nut		プ ッ シ ュ ナ ッ ト	(AAX52740)	2	
* 80	WJ367800	Cross-Over Network	15	ネ ッ ト ワ ー ク	(NBY07300)		
* 90	WJ370600	Input Assembly	PA 8F87	イ ン プ ッ ト A s s ' y	(NBY07360)		
* 90a	--	Input Panel		イ ン プ ッ ト パ ネ ル	(WJ37090)		
* 90b	WJ371200	Phone Jack	PA	ホ ー ン ジ ャ ッ ク	(LBY00150)	2	
* 90c	WJ371700	Plain Washer	3/8inch	平 座 金	(EWPP0010)	2	
* 90d	WJ371800	Connector NL4MP	4P NL4MP	コ ネ ク タ N L 4 M P	(LAY00180)	2	
* 90e	WJ372000	Hexagonal Nut	#4-40 NYLOK NUT	六 角 ナ ッ ト	(EKY01540)	4	
* 90f	WJ372100	FH Machining Screw	#4-40X3/8 ZN BL	皿 ね じ	(EFME0630)	4	
* 90g	--	Decal		デ カ ー ル	(WJ37220)		
* 110	--	Serial Label		シ リ ア ル N O ラ ベ ル	(WK60920)		
* 120	--	Pop Label		ポ ッ プ ラ ベ ル	(WJ36890)		
* 130	WJ911300	Pan Head PB Screw	#10X1 BLK	鍋 ね じ	(EKY01240)	10	
* 140	WJ493800	TH Sheet Metal Screw	#6X5/8 BLK	ト ラ ス タ ッ プ ね じ	(ETAG1030)	12	
* 150	WJ911400	PH SMS Screw	PHSMS #10X1-1/2 BL	鍋 ね じ	(EPAK2430)		
* 160	WJ494200	Pan HD Machine Screw	#10-32X1 BLK	鍋 ね じ	(EKY01000)	8	
* 170	WJ911600	TH SMS Screw	#8X3/4 BLACK	ト ラ ス ね じ	(ETAH1230)	6	
* 180	WJ911700	Pan Head SM Screw	PHSMS #6X3/4 BLK	鍋 ね じ	(EPAG1230)	4	
* 200	--	Label		E マ ー ク ラ ベ ル	O (WK53590)		

*: New Parts

RANK: Japan only

OVERALL ASSEMBLY (総組立) : SW115V



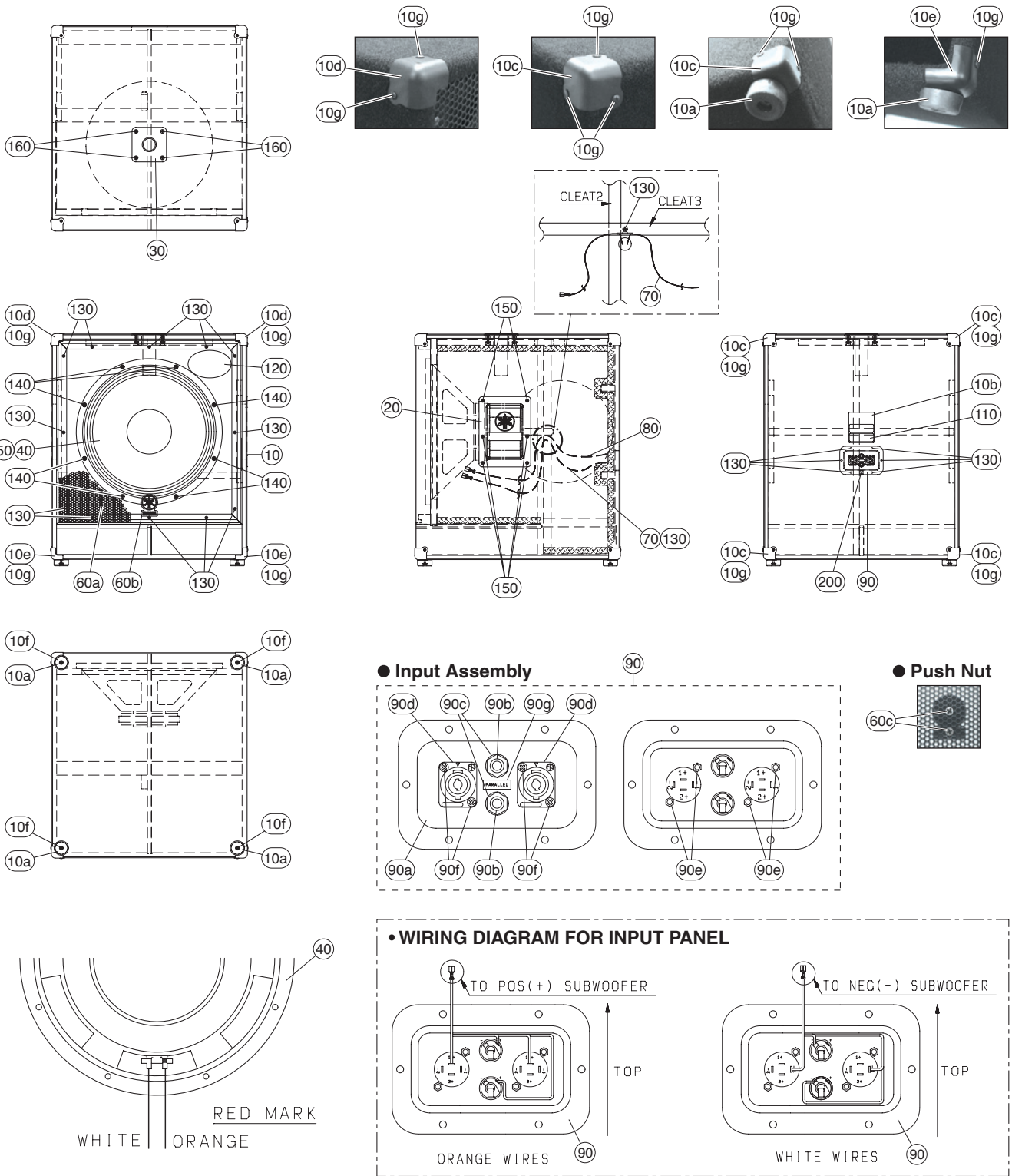
CLUB Series
SPEAKER SYSTEM/
SUBWOOFER

REF NO.	PART NO.	DESCRIPTION		部 品 名	REMARKS	QTY	RANK
		OVERALL ASSEMBLY		総 組 立	SW115V		
	--	Overall Assembly	PA J	総 組 立	YJ (WJ38620)		
	--	Overall Assembly	PA CHN	総 組 立	O (WK73560)		
	--	Cabinet Assembly		キャビネット A s s ' y	(WJ38430)		
* 10a	WJ352700	Rubber Foot		ゴ ム 脚	(CBY03890)	4	
* 10b	--	Label		注 意 文 ラ ベ ル	(WJ35280)		
* 10c	WJ232900	Corner Protector 90		プ ロ テ ク タ ー 9 0	(AAY02630)	4	
* 10d	WJ233200	Corner Protector WP1		プ ロ テ ク タ ー W P 1	(AAY02610)	2	
* 10e	WJ233300	Corner Protector WP2		プ ロ テ ク タ ー W P 2	(AAY02620)	2	
* 10f	WJ911300	Pan Head PB Screw	#10 X 1 BLK	鍋 ね じ	(EKY01240)	4	
* 10g	WJ493800	TH Sheet Metal Screw	#6X5/8 BLK	ト ラ ス タ ッ プ ね じ	(ETAG1030)	16	
* 20	WJ213700	Metal Handle		メ タ ル ハ ン ド ル	(AAY02580)	2	
* 30	WJ355700	Pole Socket	TOP HAT	ポ ー ル ソ ケ ッ ト	(AAY02620)		
* 40	X8458A00	Woofers	38 8 250	ス ピ ー カ	LF 15" (JAY61610)		
* 50	WJ356500	Gasket	9.5	ガ ス ケ ッ ト	(CBY01480)		
* 60	--	Metal Grille Assembly		メ タ ル グ リ ル A s s ' y	(WJ36360)		
* 60a	WJ365900	Metal Grille		メ タ ル グ リ ル	(AAY02730)		
* 60b	WJ370400	Logo Badge		ロ ゴ バ ッ ジ	(CBY05500)		
* 60c	WJ370500	Push Nut		プ ッ シ ュ ナ ッ ト	(AAX52740)	2	
* 70	WJ419900	Wire Harness A		束 線 A	with Poly Switch (MZY01470)		
* 80	--	Wire Harness B		束 線 B	(WJ42000)		
* 90	WJ370600	Input Assembly	PA 8F87	イ ン プ ッ ト A s s ' y	(NBY07360)		
* 90a	--	Input Panel		イ ン プ ッ ト パ ネ ル	(WJ37090)		
* 90b	WJ371200	Phone Jack	PA	ホ ー ン ジャ ッ ク	(LBY00150)	2	
* 90c	WJ371700	Plain Washer	3/8inch	平 座 金	(EWPP0010)	2	
* 90d	WJ371800	Connector NL4MP	4P NL4MP	コ ネ ク タ N L 4 M P	(LAY00180)	2	
* 90e	WJ372000	Hexagonal Nut	#4-40 NYLOK NUT	六 角 ナ ッ ト	(EKY01540)	4	
* 90f	WJ372100	FH Machining Screw	#4-40X3/8 ZN BL	皿 ね じ	(EFME0630)	4	
* 90g	--	Decal		デ カ ー ル	(WJ37220)		
* 110	--	Serial Label		シ リ アル ノ ラ ベ ル	(WK60930)		
* 120	--	Pop Label		ポ ッ プ ラ ベ ル	(WJ36900)		
* 130	WJ493800	TH Sheet Metal Screw	#6X5/8 BLK	ト ラ ス タ ッ プ ね じ	(ETAG1030)	15	
* 140	WJ624200	Pan HD Machine Screw	#10-32X1-1/2	鍋 ね じ	(EKY00340)	8	
* 150	WJ911600	TH SMS Screw	#8 X 3/4 BLACK	ト ラ ス ね じ	(ETAH1230)	12	
* 160	WJ494300	FLH Machine Screw	1/4X1-1/4 BLK	皿 ね じ	(EFMN2030)	4	
* 200	--	Label		E マ ー ク ラ ベ ル	O (WK53590)		

*: New Parts

RANK: Japan only

OVERALL ASSEMBLY (総組立) : SW118V



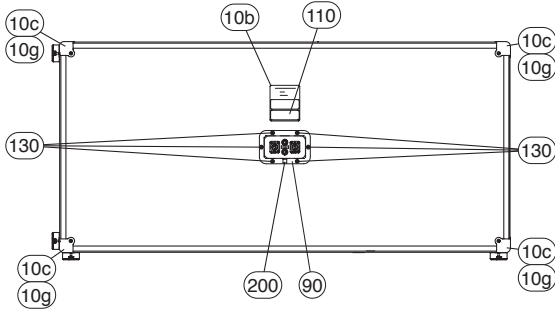
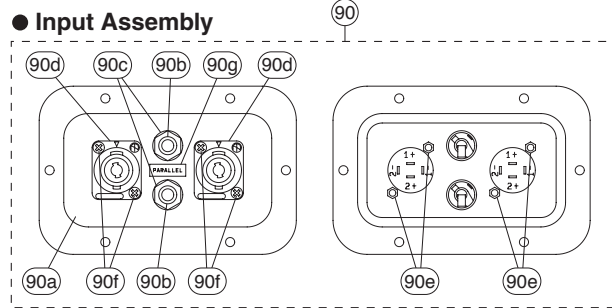
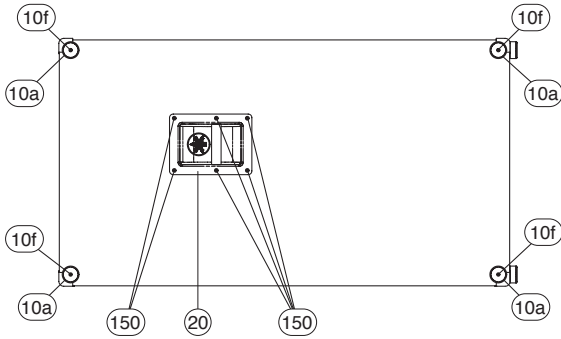
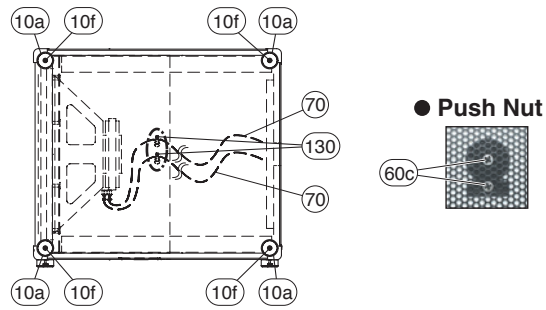
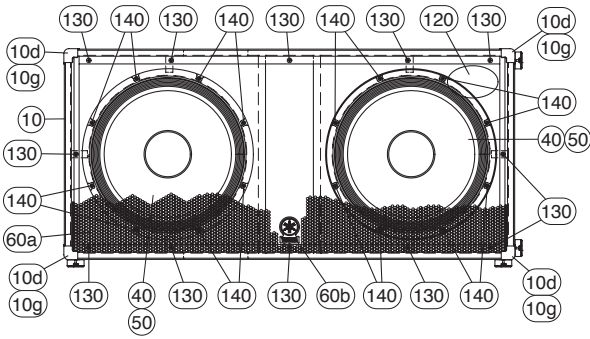
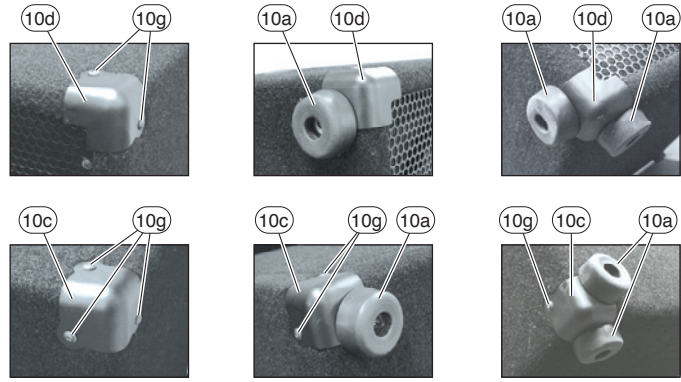
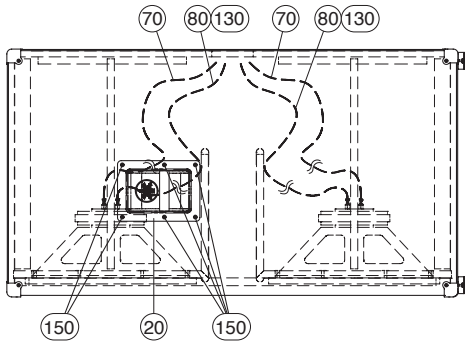
CLUB Series
SPEAKER SYSTEM/
SUBWOOFER

REF NO.	PART NO.	DESCRIPTION		部 品 名	REMARKS	QTY	RANK
		OVERALL ASSEMBLY		総 組 立	SW118V		
	--	Overall Assembly	PA J	総 組 立	YJ (WJ38630)		
	--	Overall Assembly	PA CHN	総 組 立	O (WK73570)		
* 10	--	Cabinet Assembly		キャビネット A s s ' y	(WJ38440)		
* 10a	WJ352700	Rubber Foot		ゴ ム 脚	(CBY03890)	4	
* 10b	--	Label		注 意 文 ラ ベ ル	(WJ35280)		
* 10c	WJ232900	Corner Protector 90		プ ロ テ ク タ ー 9 0	(AAY02630)	4	
* 10d	WJ233200	Corner Protector WP1		プ ロ テ ク タ ー W P 1	(AAY02610)	2	
* 10e	WJ233300	Corner Protector WP2		プ ロ テ ク タ ー W P 2	(AAY02620)	2	
* 10f	WJ911300	Pan Head PB Screw	#10 X 1 BLK	鍋 ね じ	(EKY01240)	4	
* 10g	WJ493800	TH Sheet Metal Screw	#6X5/8 BLK	ト ラ ス タ ッ プ ね じ	(ETAG1030)	16	
* 20	WJ213700	Metal Handle		メ タ ル ハ ン ド ル	(AAY02580)	2	
* 30	WJ355700	Pole Socket	TOP HAT	ポ ー ル ソ ケ ッ ト	(AAY02620)		
* 40	X8459A00	Woofers	45 8 300	ス ピ ー カ	LF 18" (JAY70110)		
* 50	WJ356500	Gasket	9.5	ガ ス ケ ッ ト	(CBY01480)		
* 60	--	Metal Grille Assembly		メ タ ル グ リ ル A s s ' y	(WJ36370)		
* 60a	WJ366000	Metal Grille		メ タ ル グ リ ル	(AAY02720)		
* 60b	WJ370400	Logo Badge		ロ ゴ バ ッ ジ	(CBY05500)		
* 60c	WJ370500	Push Nut		プ ッ シ ュ ナ ッ ト	(AAX52740)	2	
* 70	WJ419900	Wire Harness A		束 線 A	with Poly Switch (MZY01470)		
* 80	--	Wire Harness B		束 線 B	(WJ42000)		
* 90	WJ370600	Input Assembly	PA 8F87	イ ン プ ッ ト A s s ' y	(NBY07360)		
* 90a	--	Input Panel		イ ン プ ッ ト パ ネ ル	(WJ37090)		
* 90b	WJ371200	Phone Jack	PA	ホ ー ン ジャ ッ ク	(LBY00150)	2	
* 90c	WJ371700	Plain Washer	3/8inch	平 座 金	(EWPP0010)	2	
* 90d	WJ371800	Connector NL4MP	4P NL4MP	コ ネ ク タ N L 4 M P	(LAY00180)	2	
* 90e	WJ372000	Hexagonal Nut	#4-40 NYLOK NUT	六 角 ナ ッ ト	(EKY01540)	4	
* 90f	WJ372100	FH Machining Screw	#4-40X3/8 ZN BL	皿 ね じ	(EFME0630)	4	
* 90g	--	Decal		デ カ ー ル	(WJ37220)		
* 110	--	Serial Label		シ リ アル ノ ラ ベ ル	(WK60940)		
* 120	--	Pop Label		ポ ッ プ ラ ベ ル	(WJ36910)		
* 130	WJ493800	TH Sheet Metal Screw	#6X5/8 BLK	ト ラ ス タ ッ プ ね じ	(ETAG1030)	19	
* 140	WJ624200	Pan HD Machine Screw	#10-32X1-1/2	鍋 ね じ	(EKY00340)	8	
* 150	WJ911600	TH SMS Screw	#8 X 3/4 BLACK	ト ラ ス ね じ	(ETAH1230)	12	
* 160	WJ494300	FLH Machine Screw	1/4X1-1/4 BLK	皿 ね じ	(EFMN2030)	4	
* 200	--	Label		E マ ー ク ラ ベ ル	O (WK53590)		

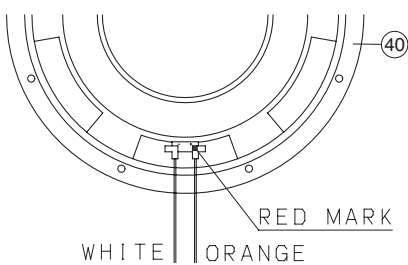
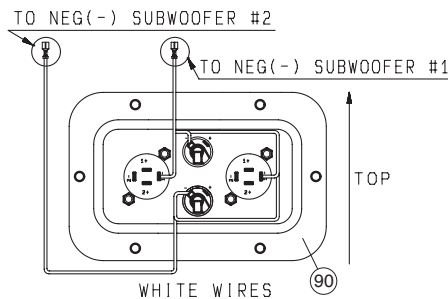
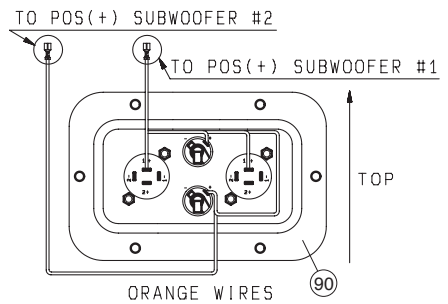
*: New Parts

RANK: Japan only

OVERALL ASSEMBLY (総組立) : SW218V



● WIRING DIAGRAM FOR INPUT PANEL



CLUB Series
SPEAKER SYSTEM/
SUBWOOFER

REF NO.	PART NO.	DESCRIPTION		部 品 名	REMARKS	QTY	RANK
		OVERALL ASSEMBLY		総 組 立	SW218V		
	--	Overall Assembly	PA J	総 組 立	YJ (WJ38640)		
	--	Overall Assembly	PA CHN	総 組 立	O (WK73580)		
10	--	Cabinet Assembly		キャビネット A s s ' y	(WJ38450)		
* 10a	WJ352700	Rubber Foot		ゴ ム 脚	(CBY03890)	8	
10b	--	Label		注 意 文 ラ ベ ル	(WJ35280)		
* 10c	WJ232900	Corner Protector 90		プ ロ テ ク タ ー 9 0	(AAY02630)	4	
* 10d	WJ233200	Corner Protector WP1		プ ロ テ ク タ ー W P 1	(AAY02610)	4	
* 10f	WJ911300	Pan Head PB Screw	#10 X 1 BLK	鍋 ね じ	(EKY01240)	8	
* 10g	WJ493800	TH Sheet Metal Screw	#6X5/8 BLK	ト ラ ス タ ッ プ ね じ	(ETAG1030)	12	
* 20	WJ213700	Metal Handle		メ タ ル ハ ン ド ル	(AAY02580)	2	
* 40	X8459A00	Woofer	45 8 300	ス ピ ー カ	LF 18" (JAY70110)	2	
* 50	WJ356500	Gasket	9.5	ガ ス ケ ッ ト	(CBY01480)	4	
60	--	Metal Grille Assembly		メ タ ル グ リ ル A s s ' y	(WJ36380)		
* 60a	WJ366100	Metal Grille		メ タ ル グ リ ル	(AAY02740)		
* 60b	WJ370400	Logo Badge		ロ コ バ ッ ジ	(CBY05500)		
* 60c	WJ370500	Push Nut		プ ッ シ ュ ナ ッ ト	(AAX52740)	2	
* 70	WJ500200	Wire Harness A		束 線 A	with Poly Switch (MZY01500)		
* 80	--	Wire Harness B		束 線 B	(WJ50030)		
* 90	WJ370600	Input Assembly	PA 8F87	イ ン プ ッ ト A s s ' y	(NBY07360)		
90a	--	Input Panel		イ ン プ ッ ト パ ネ ル	(WJ37090)		
* 90b	WJ371200	Phone Jack	PA	ホ ー ン ジャ ッ ク	(LBY00150)	2	
* 90c	WJ371700	Plain Washer	3/8inch	平 座 金	(EWPP0010)	2	
* 90d	WJ371800	Connector NL4MP	4P NL4MP	コ ネ ク タ N L 4 M P	(LAY00180)	2	
* 90e	WJ372000	Hexagonal Nut	#4-40 NYLOK NUT	六 角 ナ ッ ト	(EKY01540)	4	
* 90f	WJ372100	FH Machining Screw	#4-40X3/8 ZN BL	皿 ね じ	(EFME0630)	4	
90g	--	Decal		デ カ ー ル	(WJ37220)		
110	--	Serial Label		シ リ ア ル N O ラ ベ ル	(WK60950)		
120	--	Pop Label		ポ ッ プ ラ ベ ル	(WJ36920)		
* 130	WJ493800	TH Sheet Metal Screw	#6X5/8 BLK	ト ラ ス タ ッ プ ね じ	(ETAG1030)	20	
* 140	WJ624200	Pan HD Machine Screw	#10-32X1-1/2	鍋 ね じ	(EKY00340)	16	
* 150	WJ911600	TH SMS Screw	#8 X 3/4 BLACK	ト ラ ス ね じ	(ETAH1230)	12	
200	--	Label		E マ ー ク ラ ベ ル	O (WK53590)		

*: New Parts

RANK: Japan only