

# DTXPRESS II

## DRUM TRIGGER MODULE

# DTXP2

## SERVICE MANUAL



### ■ CONTENTS (目次)

SPECIFICATION (総合仕様).....	3/4
PANEL LAYOUT (パネルレイアウト).....	5
UNIT LAYOUT (ユニットレイアウト).....	6
BLOCK DIAGRAM (ブロックダイアグラム).....	7
DISASSEMBLY PROCEDURE (分解手順).....	8
LSI PIN DESCRIPTION (LSI 端子機能表).....	11
IC BLOCK DIAGRAM (IC ブロック図).....	12
CIRCUIT BOARDS (シート基板図).....	14
TEST PROGRAM (テストプログラム).....	21/30
ERROR MESSAGES (エラーメッセージ).....	39/40
MIDI IMPLEMENTATION CHART (MIDI インプリメンテーションチャート).....	41
PARTS LIST	
OVERALL CIRCUIT DIAGRAM (総回路図)	



このサービスマニュアルはエコパルプ  
(ECF: 無塩素系漂白パルプ)を使用しています。

This document is using chlorine free (ECF) paper.

## IMPORTANT NOTICE

This manual has been provided for the use of authorized Yamaha Retailers and their service personnel. It has been assumed that basic service procedures inherent to the industry, and more specifically Yamaha Products, are already known and understood by the users, and have therefore not been restated.

**WARNING:** Failure to follow appropriate service and safety procedures when servicing this product may result in personal injury, destruction of expensive components, and failure of the product to perform as specified. For these reasons, we advise all Yamaha product owners that all service required should be performed by an authorized Yamaha Retailer or the appointed service representative.

**IMPORTANT:** The presentation or sale of this manual to any individual or firm does not constitute authorization, certification or recognition of any applicable technical capabilities, or establish a principle-agent relationship of any form.

The data provided is believed to be accurate and applicable to the unit(s) indicated on the cover. The research, engineering, and service departments of Yamaha are continually striving to improve Yamaha products. Modifications are, therefore, inevitable and changes in specification are subject to change without notice or obligation to retrofit. Should any discrepancy appear to exist, please contact the distributor's Service Division.

**WARNING:** Static discharges can destroy expensive components. Discharge any static electricity your body may have accumulated by grounding yourself to the ground bus in the unit (heavy gauge black wires connect to this bus).

**IMPORTANT:** Turn the unit OFF during disassembly and part replacement. Recheck all work before you apply power to the unit.

## LITHIUM BATTERY HANDLING

This product uses a lithium battery for memory back-up.

**WARNING:** Lithium batteries are dangerous because they can be exploded by improper handling. Observe the following precautions when handling or replacing lithium batteries.

- Leave lithium battery replacement to qualified service personnel.
- Always replace with batteries of the same type.
- When installing on the PC board by soldering, solder using the connection terminals provided on the battery cells. Never solder directly to the cells. Perform the soldering as quickly as possible.
- Never reverse the battery polarities when installing.
- Do not short the batteries.
- Do not attempt to recharge these batteries.
- Do not disassemble the batteries.
- Never heat batteries or throw them into fire.

### ADVARSEL!

Lithiumbatteri-Eksplosionsfare ved fejlagtig håndtering. Udskiftning må kun ske med batteri af samme fabrikat og type. Levér det brugte batteri tilbage til leverandøren.

### VARNING

Explosionsfara vid felaktigt batteribyte.

Använd samma batterityp eller en ekvivalent typ som rekommenderas av apparattillverkaren.

Kassera använt batteri enligt fabrikantens instruktion.

### VAROITUS

Paristo voi räjähtää, jos se on virheellisesti asennettu.

Vaihda paristo ainoastaan laitevalmistajan suosittelemaan tyyppiin.

Hävitätä käytetty paristo valmistajan ohjeiden mukaisesti.

The following information complies with Dutch Official Gazette 1995. 45; ESSENTIALS OF ORDER ON THE COLLECTION OF BATTERIES.

- Please refer to the disassembly procedure for the removal of Back-up Battery.
- Leest u voor het verwijderen van de backup batterij deze beschrijving.

## WARNING: CHEMICAL CONTENT NOTICE!

The solder used in the production of this product contains LEAD. In addition, other electrical/electronic and/or plastic (where applicable) components may also contain traces of chemicals found by the California Health and Welfare Agency (and possibly other entities) to cause cancer and/or birth defects or other reproductive harm.

**DO NOT PLACE SOLDER, ELECTRICAL/ELECTRONIC OR PLASTIC COMPONENTS IN YOUR MOUTH FOR ANY REASON WHATSOEVER!**

Avoid prolonged, unprotected contact between solder and your skin! When soldering, do not inhale solder fumes or expose eyes to solder/flux vapor!

If you come in contact with solder or components located inside the enclosure of this product, wash your hands before handling food.

## ■ SPECIFICATIONS

<b>Tone Generator</b>	16 bit AWM2
<b>Maximum polyphony</b>	32
<b>Voices</b>	928 drum, percussion voices and effects 128 keyboard voices (GM system level 1)
<b>Drum kits</b>	48 Preset 32 User memory locations
<b>Trigger setups</b>	5 Preset 4 User memory locations
<b>Sequencer tracks</b>	2 (TR1, TR2)
<b>Song control</b>	
Main song	Start/Stop, note chase
Pad song	3 songs can be played at the same time, Trigger Control
<b>Other Sequencer Functions</b>	MIDI sync play, Quantize (while recording, in Song Edit job mode), Mute (rhythm mute, drum instrument mute), Groove Check
<b>Song</b>	95 Preset 32 User memory locations
<b>Record modes</b>	Real-time
<b>Controls</b>	
LED buttons	6 (DRUMKIT, SONG, TRIG, VOICE, UTIL, CLICK)
Buttons	9 (▶/■, SAVE/ENTER, SHIFT, PAGE▲/▼, SELECT◀/▶, VALUE-/+)
Knobs	MASTER VOLUME/POWER SW (push), ACCOMP. VOLUME, AUX VOLUME, CLICK VOLUME
<b>Display</b>	16 x 2 LCD display (w/Back light)
<b>Connections</b>	
Front Panel	Aux input (stereo mini jack) Head phone (stereo phone jack)
Rear Panel	MIDI input/output Foot controller (stereo phone jack) HOST SELECT SW TO HOST (mini DIN jack) Output L/MONO (mono phone jack) Output R (mono phone jack) Trigger Inputs 1 – 8 (stereo phone jack→L : trigger input, R : rim switch) Trigger Input 9/10 (stereo phone jack→L, R : trigger input) Trigger attenuation switch 1-6 (DIP SW)
<b>Power supply</b>	DC 12V/AC adaptor (PA-3B or PA-3C)
<b>Power Requirement</b>	4.8 Watt
<b>Dimensions (W x H x D)</b>	220 x 240 x 44 mm (8-11/16" x 9-3/16" x 1-5/16")
<b>Weight</b>	1.6 kg (3 lbs 8 oz)
<b>Accessories</b>	Owner's Manual AC adaptor

\* Specifications and descriptions in this service manual are for information purpose only.  
Yamaha Corp. reserves the right to change or modify products or specifications at any time without prior notice.

## ■ 総合仕様

### ■ 発音方式

16-bit AWM2

### ■ 最大同時発音数

32音

### ■ 音色数

ドラム/パーカッション音色 928種類  
 キーボード音色 128種類 (GMシステムレベル1)  
 ドラムキット プリセットキット 48種類  
 ユーザーキット 32種類  
 トリガーセットアップ プリセット 5種類  
 ユーザー 4種類

### ■ シーケンサー

トラック数 2 (TR1, TR2)  
 ソングコントロール  
 メインソング スタート/ストップ  
 ノートチェイス  
 パッドソング 最大同時3曲再生可能  
 トリガーコントロール  
 その他の機能 MIDIシンク  
 クオンタイズ (録音時、編集時)  
 ミュート (リズム/パート別)  
 グループチェック

### ■ ソング

プリセットソング 95種類  
 ユーザーソング 32種類  
 録音形式 リアルタイム方式

### ■ 操作子

LEDボタン DRUMKIT, SONG, TRIG, VOICE, UTIL, CLICK  
 ボタン ▶/■, SAVE/ENTER, SHIFT, PAGE▲/▼,  
 SELECT◀/▶, VALUE - / +  
 ツマミ MASTER VOLUME/POWER SW(push),  
 ACCOMP. VOLUME, AUX VOLUME, CLICK VOLUME

### ■ ディスプレイ

16X2 LCDディスプレイ (バックライト付)

### ■ 接続端子

フロントパネル AUX IN端子 (ステレオミニジャック)  
 PHONES端子 (ステレオ標準ジャック)  
 リアパネル MIDI IN/OUT端子  
 HI HAT CONTROLLER端子 (ステレオ標準ジャック)  
 HOST SELECTスイッチ  
 TO HOST端子  
 OUT PUT L/MONO, R端子 (モノ標準ジャック)  
 トリガー入力端子 1~8 (ステレオ標準ジャックL:  
 トリガー入力, R: リムスイッチ入力)  
 トリガー入力端子 9/10 (ステレオ標準ジャックL, R:  
 トリガー入力)  
 INPUT ATTENUATIONスイッチ1~6  
 (ディップスイッチ)

### ■ 電源電圧

DC12V: 電源アダプタ (PA-3BまたはPA-3C)

### ■ 消費電力

4.8W

### ■ 寸法

220(W)X240(D)X44(H) mm

### ■ 重量

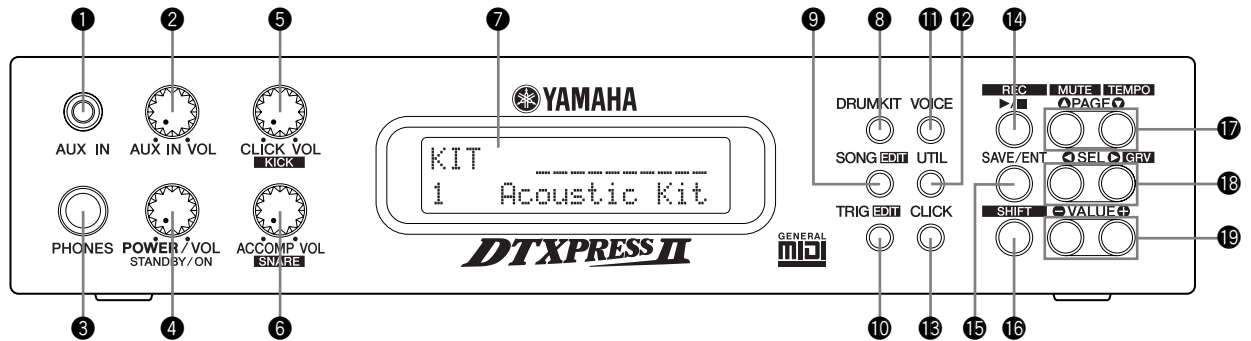
1.6kg

### ■ 付属品

取扱説明書  
 保証書  
 電源アダプタ

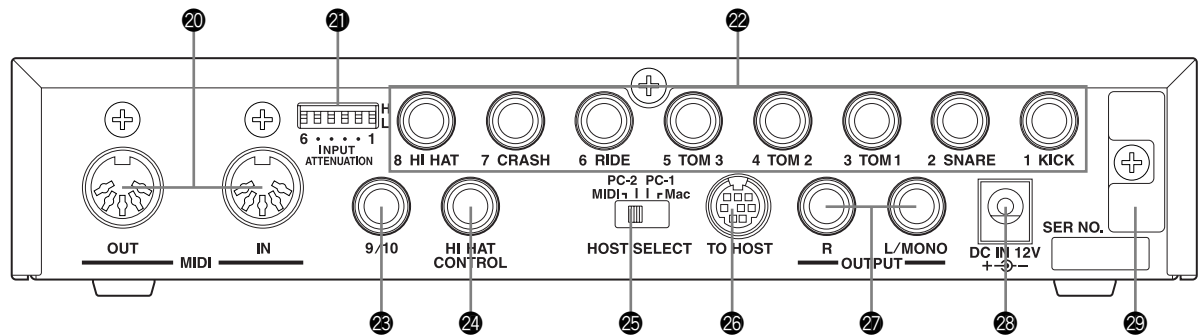
## ■ PANEL LAYOUT (パネルレイアウト)

### ● Front Panel (フロントパネル)



- |   |                               |
|---|-------------------------------|
| ①AUX IN Jack                            | ①AUX IN端子                     |
| ②AUX IN Volume (AUX IN VOL)             | ②AUX INボリューム (AUX IN VOL)     |
| ③Head Phone Jack (PHONES)               | ③ヘッドフォン端子 (PHONES)            |
| ④Power Switch/Master Volume (POWER/VOL) | ④電源スイッチ/マスターボリューム (POWER/VOL) |
| ⑤Click Volume (CLICK VOL)               | ⑤クリックボリューム (CLICK VOL)        |
| ⑥Accompaniment Volume (ACCOMP VOL)      | ⑥アкомпニメントボリューム (ACCOMP VOL)  |
| ⑦LCD Display                            | ⑦LCDディスプレイ                    |
| ⑧Drum Kit Button (DRUMKIT)              | ⑧ドラムキットボタン (DRUMKIT)          |
| ⑨Song Button (SONG)                     | ⑨ソングボタン (SONG)                |
| ⑩Trigger Button (TRIG)                  | ⑩トリガーボタン (TRIG)               |
| ⑪Voice Button (VOICE)                   | ⑪ボイスボタン (VOICE)               |
| ⑫Utility Button (UTIL)                  | ⑫ユーティリティボタン (UTIL)            |
| ⑬Click Button (CLICK)                   | ⑬クリックボタン (CLICK)              |
| ⑭Start/Stop Button (▶/■)                | ⑭スタート/ストップボタン (▶/■)           |
| ⑮Save/Enter Button (SAVE/ENT)           | ⑮セーブ/エンターボタン (SAVE/ENT)       |
| ⑯Shift Button (SHIFT)                   | ⑯シフトボタン (SHIFT)               |
| ⑰Page Button [PAGE▲, PAGE▼]             | ⑰ページボタン (PAGE▲, PAGE▼)        |
| ⑱Select Button [SEL◀, SEL▶]             | ⑱セレクトボタン (SEL◀, SEL▶)         |
| ⑲Value Button (VALUE-, VALUE+)          | ⑲バリューボタン (VALUE-, VALUE+)     |

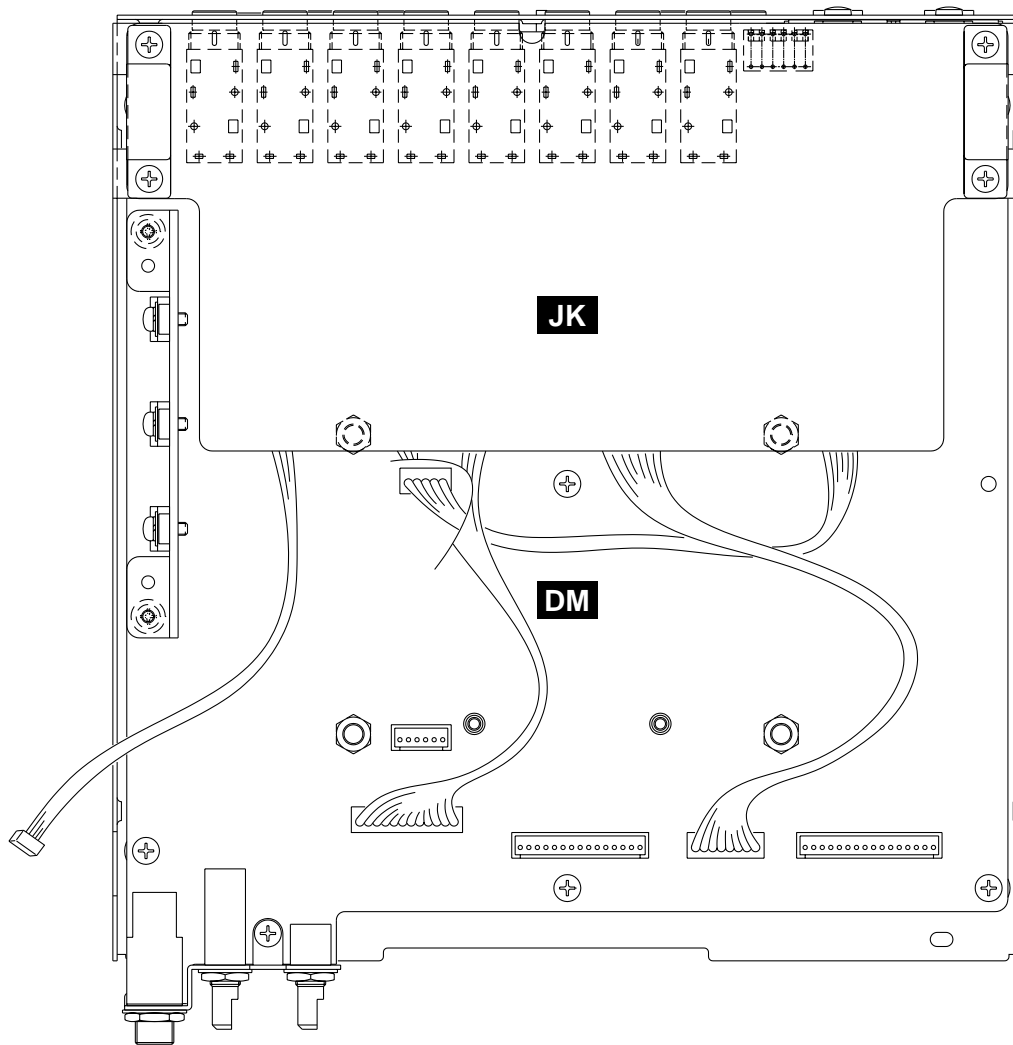
### ● Rear Panel (リアパネル)



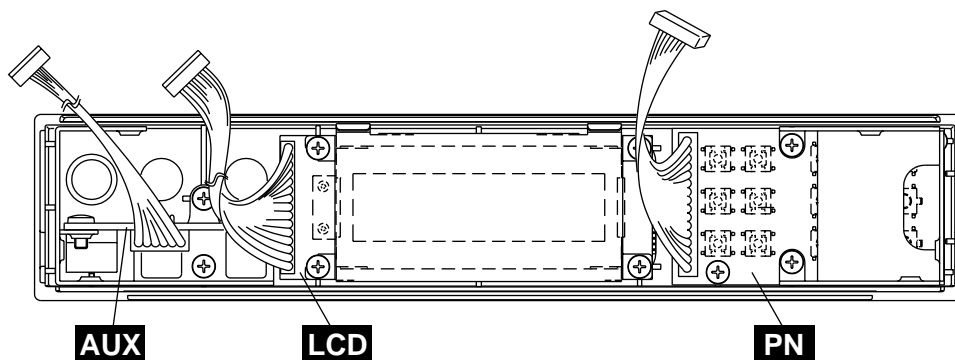
- |   |  |
|---|--|
| ⑳MIDI IN/OUT Jack                                       | ⑳MIDI IN/OUT端子                                   |
| ㉑Input Attenuation Switch (INPUT ATTENUATION)           | ㉑入力感度設定スイッチ (INPUT ATTENUATION)                  |
| ㉒Trigger Input Jack (1 KICK-8 HI HAT)                   | ㉒トリガー入力端子 (1 KICK~8 HI HAT)                      |
| ㉓Trigger Input Jack (9/10)                              | ㉓トリガー入力端子 (9/10)                                 |
| ㉔Hi-Hat Controller Jack (HI HAT CONTROL)                | ㉔ハイハットコントロール端子 (HI HAT CONTROL)                  |
| ㉕Host Select Switch<br>(HOST SELECT Mac/PC-1/PC-2/MIDI) | ㉕ホストセレクトスイッチ<br>(HOST SELECT Mac/PC-1/PC-2/MIDI) |
| ㉖TO HOST Jack   | ㉖TO HOST端子                                       |
| ㉗Output Jacks (OUTPUT L/MONO, R)                        | ㉗出力端子 (OUTPUT L/MONO,R)                          |
| ㉘Power Supply Jack (DC IN 12V)                          | ㉘電源端子 (DC IN 12V)                                |
| ㉙Cord Hook  | ㉙コードフック  |

## ■ UNIT LAYOUT (ユニットレイアウト)

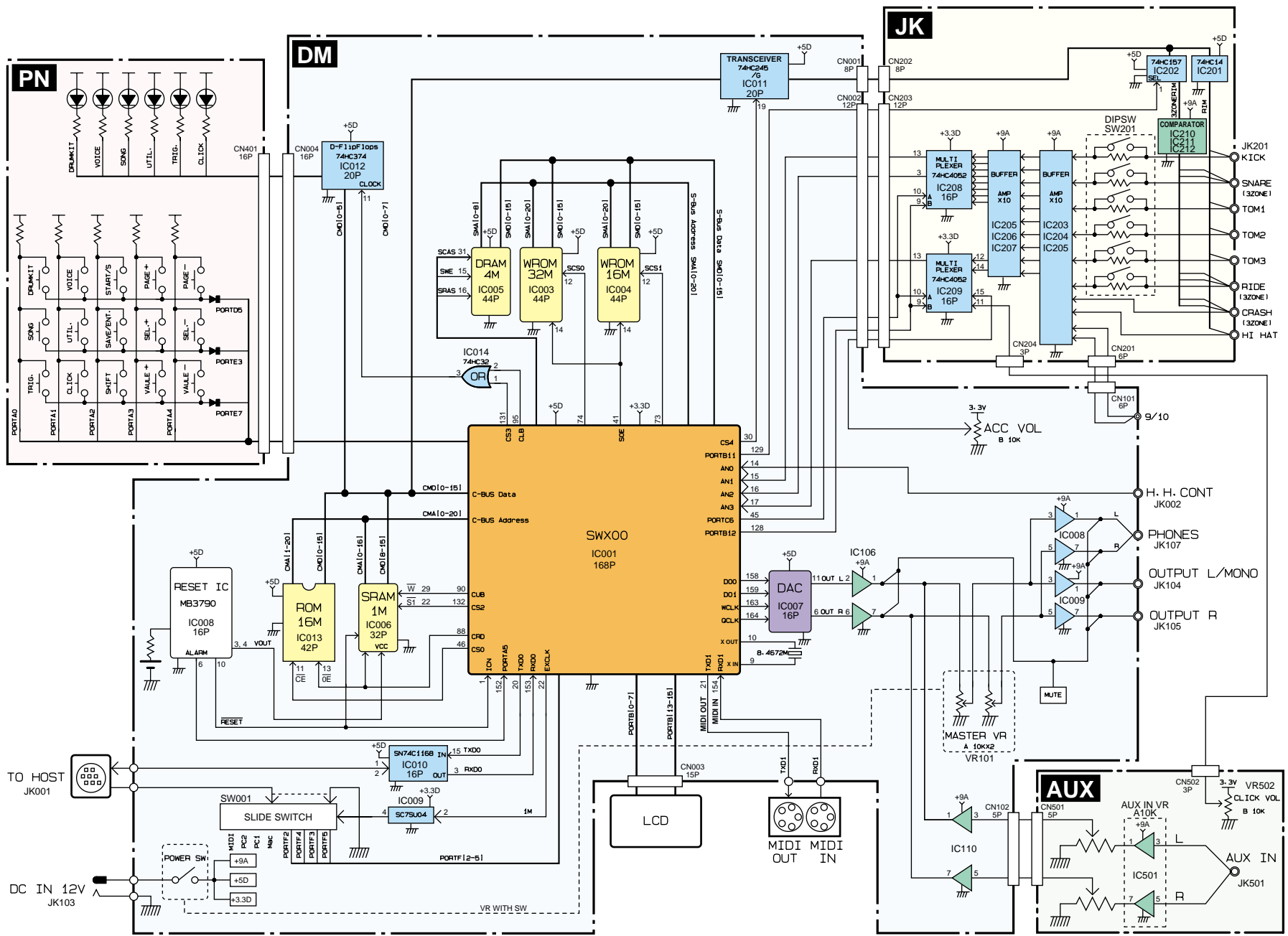
### ● Chassis Unit (シャーシユニット)



### ● Front Panel (フロントパネル)



■ BLOCK DIAGRAM ( ロックタイプライター )



KEC-54265

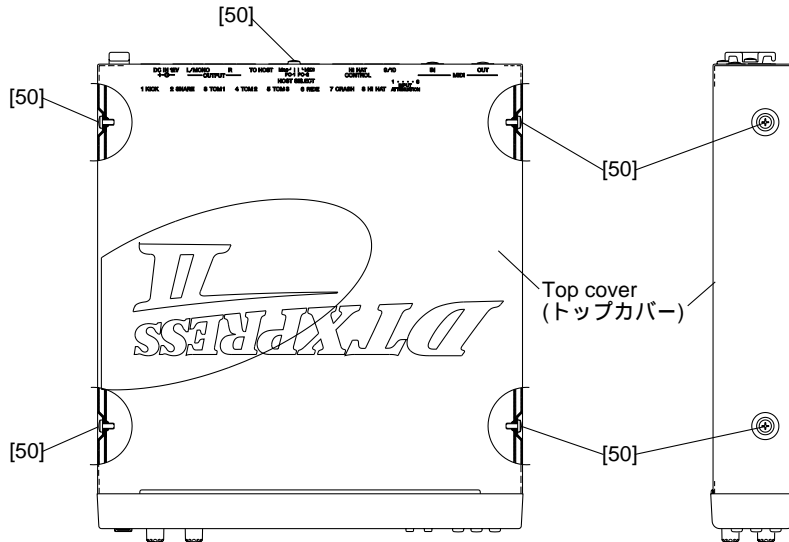
## ■ DISASSEMBLY PROCEDURE (分解手順)

### 1 Top Cover

1-1 Remove the five (5) screws marked [50]. The top cover can then be removed. (Fig. 1)

### 1 トップカバー

1-1 [50]のネジ5本を外して、トップカバーを外します。(Fig. 1)



[50]: Bind Head Tapping Screw-B 3.0X6 MFZN2BL (EP600230)+バインドBタイト

(Fig. 1)

### 2 Front Panel Unit

2-1 Remove the top cover. (See Procedure 1.)  
2-2 Remove the four (4) screws marked [10c]. The front panel unit can then be removed. (Fig. 3)

### 2 フロントパネルユニット

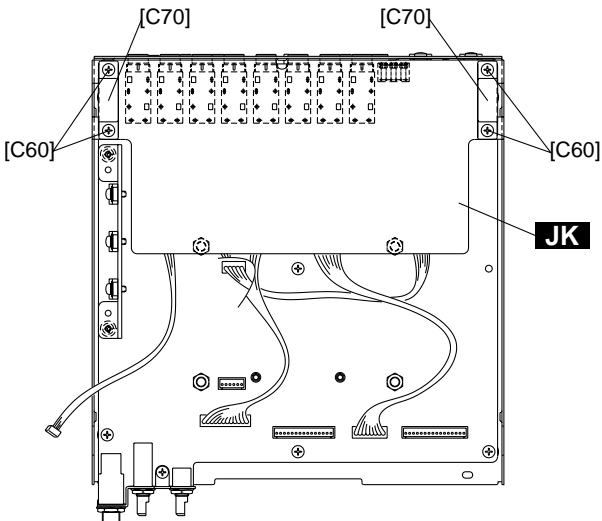
2-1 トップカバーを外します。(1項参照)  
2-2 [10c]のネジ4本を外して、フロントパネルユニットを外します。(Fig. 3)

### 3 JK Circuit Board Assembly

3-1 Remove the top cover. (See Procedure 1.)  
3-2 Remove the four (4) screws marked [C60]. The JK circuit board assembly can then be removed. (Fig. 2)  
\* Take care not to lose [C70] shield terminal.

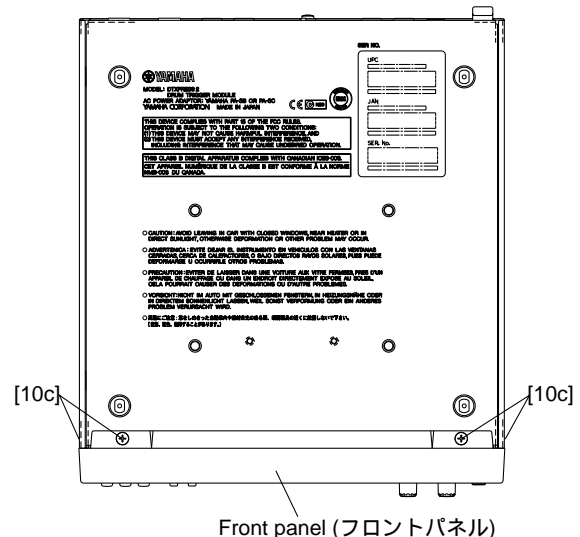
### 3 JKシートAss'y

3-1 トップカバーを外します。(1項参照)  
3-2 [C60]のネジ4本を外して、JKシートAss'yを外します。(Fig. 2)  
[C70]シールドタンシAss'yをなくさない様に注意して下さい。



[C60]: Bind Head Tapping Screw-B 3.0X6 MFZN2BL  
(EP600230)+バインドBタイト  
[C70]: Shield Terminal Assembly  
(V3814600)シールドタンシAss'y

(Fig. 2)



[10c]: Bind Head Tapping Screw-B 3.0X6 MFZN2BL  
(EP600230)+バインドBタイト

(Fig. 3)



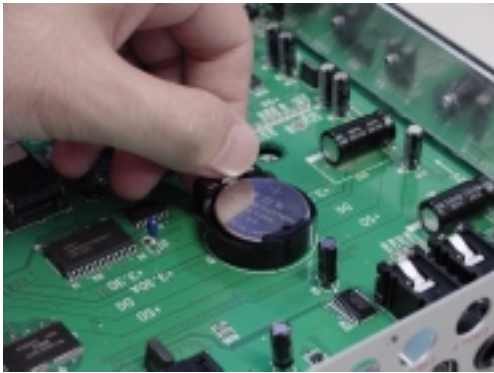
#### 4 DM Circuit Board Assembly

- 4-1 Remove the top cover. (See Procedure 1.)
- 4-2 Remove the front panel unit. (See Procedure 2.)
- 4-3 Remove the JK circuit board assembly. (See Procedure 3.)
- 4-4 Remove the eight (8) screws marked [C30] and the two (2) screws marked [C40]. The DM circuit board assembly can then be removed. (Fig. 4)

##### • How to remove a lithium battery (リチウム電池の外し方)

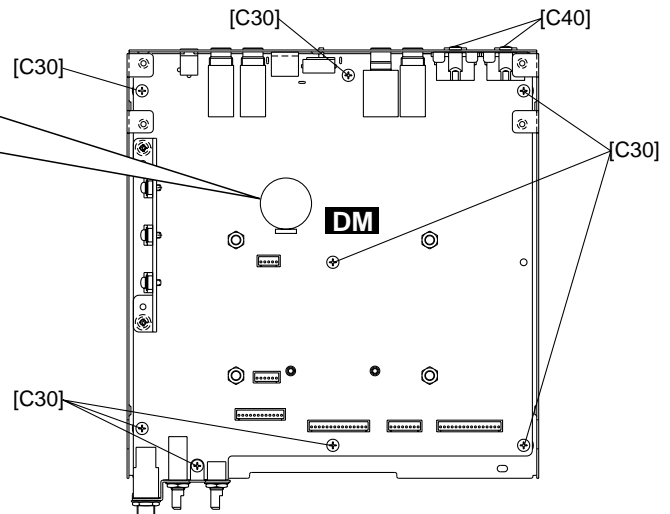
Remove the hook while pressing the spring. The lithium battery can be removed.  
(パネを押してフックを外すとリチウム電池が外れます。)

The lithium battery should surely use VS246400 (CR2450).  
(リチウム電池は必ずVS246400(CR2450)を使用して下さい。)



#### 4 DMシートAss'y

- 4-1 トップカバーを外します。(1項参照)
- 4-2 フロントパネルユニットを外します。(2項参照)
- 4-3 JKシートAss'yを外します。(3項参照)
- 4-4 [C30]のネジ8本を外し、[C40]のネジ2本を外して、DMシートAss'yを外します。(Fig. 4)



[C30]: Bind Head Tapping Screw-B 3.0X6 MFZN2BL  
(EP600230)+バインドBタイト

[C40]: Bind Head Tapping Screw-B 3.0X8 MFZN2BL  
(EP600190)+バインドBタイト

(Fig. 4)

#### 5 LCD Circuit Board Assembly

- 5-1 Remove the top cover. (See Procedure 1.)
- 5-2 Remove the front panel unit. (See Procedure 2.)
- 5-3 Remove the four (4) screws marked [40]. The LCD circuit board assembly can then be removed. (Fig. 5)

#### 6 AUX Circuit Board Assembly

- 6-1 Remove the top cover. (See Procedure 1)
- 6-2 Remove the front panel unit. (See Procedure 2.)
- 6-3 Remove the two (2) screws marked [60]. The AUX circuit board assembly with AUX stay can then be removed. Remove the two (2) knobs marked [A], the two (2) hexagonal nuts marked [B] and the screw marked [50c]. The AUX circuit board can then be removed. (Fig. 5)

#### 7 PN Circuit Board Assembly

- 7-1 Remove the top cover. (See Procedure 1)
- 7-2 Remove the front panel unit. (See Procedure 2.)
- 7-3 Remove the two (2) screws marked [A90], the panel stay and the three (3) screws marked [B90]. The PN circuit board assembly can then be removed. (Fig. 5)

#### 5 LCDシートAss'y

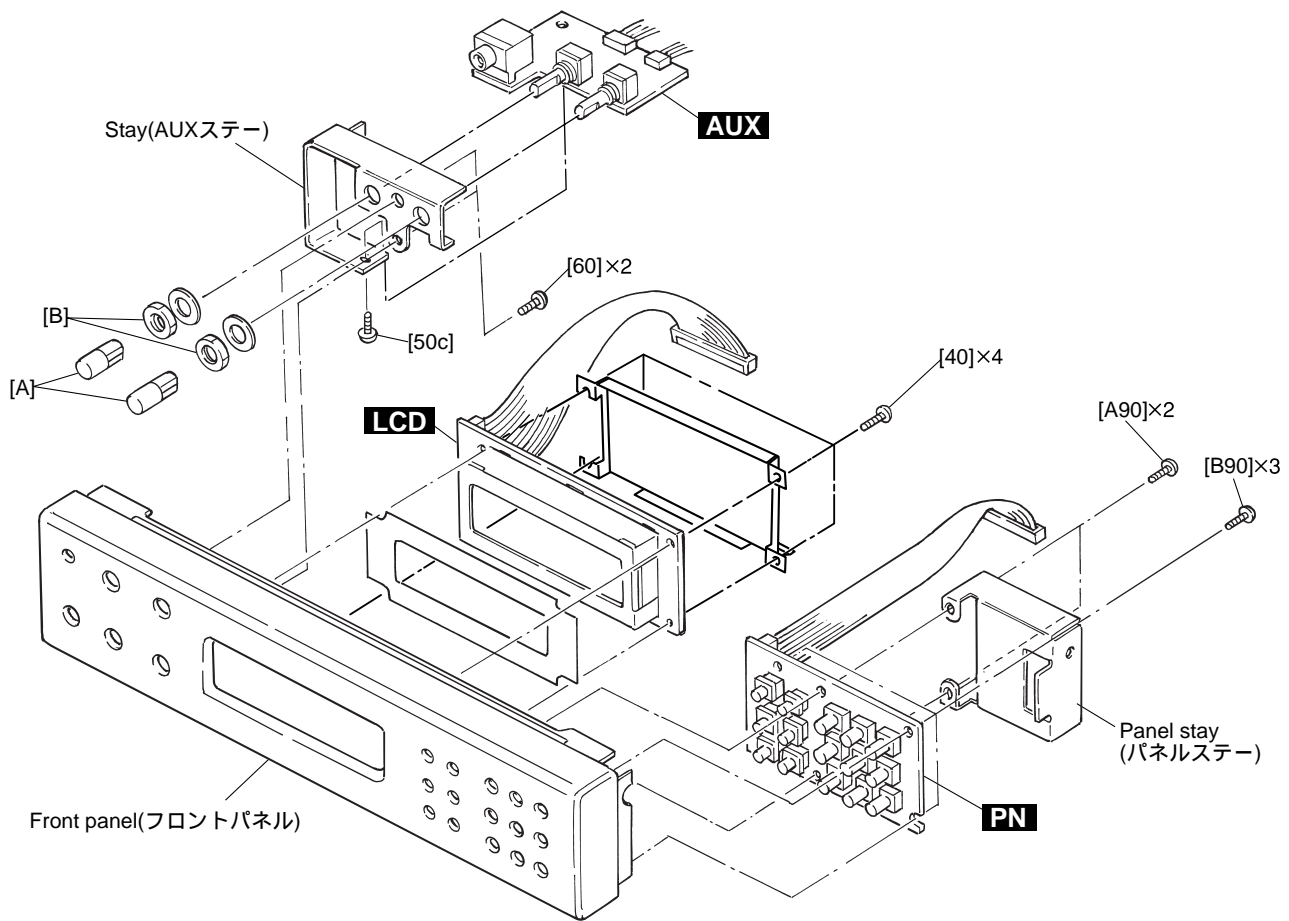
- 5-1 トップカバーを外します。(1項参照)
- 5-2 フロントパネルユニットを外します。(2項参照)
- 5-3 [40]のネジ4本を外して、LCDシートAss'yを外します。(Fig. 5)

#### 6 AUXシートAss'y

- 6-1 トップカバーを外します。(1項参照)
- 6-2 フロントパネルユニットを外します。(2項参照)
- 6-3 [60]のネジ2本を外して、AUXステー付きでAUXシートAss'yを取り出します。[A]のツマミ2個を外し、[B]の六角ネジ2個と、[50c]のネジ1本を外して、AUXシートを外します。(Fig. 5)

#### 7 PNシートAss'y

- 7-1 トップカバーを外します。(1項参照)
- 7-2 フロントパネルユニットを外します。(2項参照)
- 7-3 [A90]のネジ2本を外して、パネルステーを外し、[B90]のネジ3本を外して、PNシートAss'yを外します。(Fig. 5)



- [40]: Bind Head Tapping Screw-P 2.6X8 MFZN2Y (EP620100)+バインドPタイト  
 [50c]: Bind Head Tapping Screw-B 3.0X6 MFZN2BL (EP600230)+バインドBタイト  
 [60]: Bind Head Tapping Screw-B 2.6X8 MFZN2Y (EP620100)+バインドPタイト  
 [90]: Bind Head Tapping Screw-P 2.6X8 MFZN2BL (EP620100)+バインドPタイト

(Fig. 5)

■ LSI PIN DESCRIPTION ( LSI 端子機能表 )

● HG73C205AFD (XU947C00) SWX00B TONE GENERATOR

DM: IC001

PIN No.	NAME	I/O	FUNCTION	PIN No.	NAME	I/O	FUNCTION
1	ICN	I	Initial clear	85	CMA3	O	} read signal
2	RFCLKI	I	PLL Clock	86	CMA8	O	
3	TM2	I	PLL Control	87	CMA2	O	
4	AVDD_PLL		Power supply	88	CRD	O	
5	AVSS_PLL		Ground	89	CMA1	O	
6	MODE0	I	SWX dual mode	90	CUB	O	
7	VCC7		Power supply	91	VCC91		
8	GND8		Ground	92	GHND92		
9	XIN	I	crystal oscillator	93	CS1	O	
10	XOUT	O	crystal oscillator	94	CMA0	O	
11	MODE1	I	SWX separate mode	95	CLB	O	
12	TEST0	I	TEST pin	96	CMA12	O	
13	TESTON	I	TEST pin	97	CMA11	O	
14	AN0-P40	I	} A/D converter	98	CMA10	O	
15	AN1-P41	I			99	CMA9	O
16	AN2-P42	I			100	GND100	
17	AN3-P43	I			101	CWE	O
18	AVDD_AN			Power supply	102	CMA16	O
19	AVSS_AN		Ground	103	CMA15	O	
20	TXD0	O	for MIDI or TO-HOST	104	CMA14	O	
21	TXD1	O	for MIDI	105	CMA13	O	
22	EXCLK	I	Crystal oscillator	106	CMD8	I/O	
23	SMD11	I/O	} Wave memory data bus	107	CMD7	I/O	
24	SMD4	I/O			108	CMD9	I/O
25	SMD3	I/O			109	CMD6	I/O
26	SMD12	I/O			110	CMD10	I/O
27	SMD10	I/O			111	CMD5	I/O
28	SMD5	I/O			112	CMD11	I/O
29	SMD2	I/O			113	CMD4	I/O
30	SMD13	I/O			114	CMD12	I/O
31	SMD9	I/O			115	CMD3	I/O
32	SMD6	I/O			116	CMD13	I/O
33	SMD1	I/O	} Power supply	117	CMD2	I/O	
34	SMD14	I/O		Ground	118	CMD14	I/O
35	VCC35				119	VCC119	
36	GND36				120	GND115	
37	SMD8	I/O			121	CMD1	I/O
38	SMD7	I/O	Wave memory data bus	122	CMD15	I/O	
39	SMD0	I/O	} SWX access data bus	123	CMD0	I/O	
40	SMD15	I/O		read signal	124	CMA21	O
41	SOE	O		write signal	125	PDT15	I/O
42	SWE	O		RAS signal	126	PDT14	I/O
43	SRAS	O		CAS signal	127	PDT13	I/O
44	SCAS	O		REFRESH signal	128	PDT12	I/O
45	REFRESH	O		CS signal	129	PDT11	I/O
46	CS0	O		Memory address bus	130	PDT10	I/O
47	SMA0	O		Memory address bus	131	PDT9	I/O
48	SMA16	O		Power supply	132	PDT8	I/O
49	VCC49		Ground	133	VCC133		
50	GND50			134	GND134		
51	SMA1	O	} Memory address bus	135	PDT7	I/O	
52	SMA15	O			136	PDT6	I/O
53	SMA2	O			137	PDT5	I/O
54	SMA14	O			138	PDT4	I/O
55	SMA3	O			139	PDT3	I/O
56	SMA13	O			140	PDT2	I/O
57	SMA4	O			141	PDT1	I/O
58	SMA12	O			142	PDT0	I/O
59	SMA5	O	} Power supply	143	VCA143		
60	GND60			Ground	144	GND144	
61	VCC61			Power supply	145	PAD2	I
62	SMA11	O		} SWX access address bus	146	PAD1	I
63	SMA6	O				147	PAD0
64	SMA10	O			148	VCC148	
65	SMA7	O	} Memory address bus	149	GND149		
66	SMA9	O		Chip select	150	PCS	I
67	SMA17	O		write enable	151	PWR	I
68	SMA8	O		read enable	152	PRD	I
69	SMA18	O		for MIDI or TO-HOST	153	RXD0	I
70	SMA19	O		for MIDI or Key scan	154	RXD1	I
71	SMA20	O		EXT Clock	155	SCLKI	I
72	SMA21	O		A/D converter	156	ADIN	I
73	SMA22	O		A/D converter LR clock	157	ADLR	O
74	SMA23	O		DAC	158	DO0	O
75	CMA20	O	DAC	159	DO1	O	
76	CMA19	O	Program address bus	160	SYSCLK	O	
77	VCC77		Power supply	161	VCC161		
78	GND78		Ground	162	GND162		
79	CMA18	O	} Program address bus	163	WCLK	O	
80	CMA17	O		for DAC LR clock	164	QCLK	O
81	CMA5	O		1/12 clock	165	BCLK	O
82	CMA6	O		IIS-DAC clock	166	SYI	I
83	CMA4	O		Synch signal	167	IRQ0	I
84	CMA7	O		Interrupt request	168	NMI	I
				Interrupt request			

● **μPD63200GS-E1 (XP867A00) DAC (Digital to Analog Converter)**

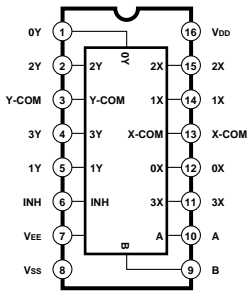
DM: IC007

PIN No.	NAME	I/O	FUNCTION	PIN No.	NAME	I/O	FUNCTION
1	4/8FS	I	4/8 Fs selection	9	R. REF		Channel R voltage reference
2	D. GND		Digital ground	10	L. REF		Channel L voltage reference
3	16/8 BIT	I	16 bit/8 bit selection	11	L. OUT	O	Channel L output
4	D. VDD		Digital power supply	12	A. GND		Analog ground
5	A. GND		Analog ground	13	LRCX/WD	I	Left/right check, Word clock
6	R. OUT	O	Channel R output	14	LR/RSI	I	Left/right selection, Channel R series input
7	A. VDD		Analog power supply	15	SI/LSI	I	Series input/Channel L series input
8	A. VDD			16	CLK	I	Clock

■ **IC BLOCK DIAGRAM (IC ブロック図)**

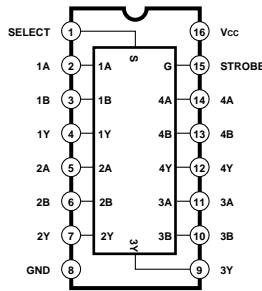
- **TC74HC4052AF (XS790A00)**
- **MM74HC4052SJK (XY876A00)**  
MPX

JK: IC208, 209



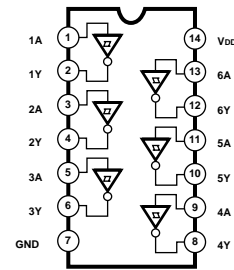
- **SN74HC157NSR (XW110A00)**
- **MM74HC157SJK (XY310A00)**  
Inverter

JK: IC202



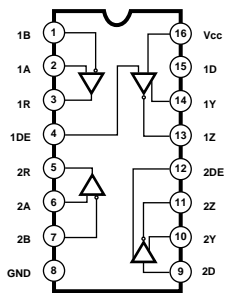
- **TC74VHC14F-EL (XW876A00)**
- **74VHC14SJK (XZ200A00)**  
Hex Inverter

JK: IC201



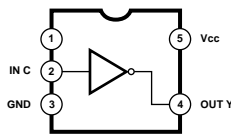
- **SN75C1168NSR (XU073A00)**  
Line Driver

DM: IC010



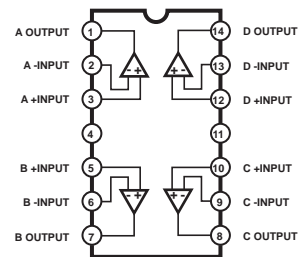
- **TC7SU04F (XY447A00)**  
Inverter

DM: IC009



- **NJM2902M-T1 (XR562A00)**  
Quad Operational Amplifier

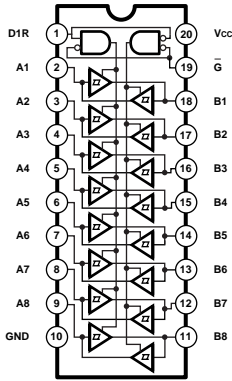
JK: IC203-207



- **TC74VHC245AF** (XS720A00)
- **MM74HC245ASJK** (XW107A00)
- **HD74HC245FPV** (XV611A00)

Transceiver

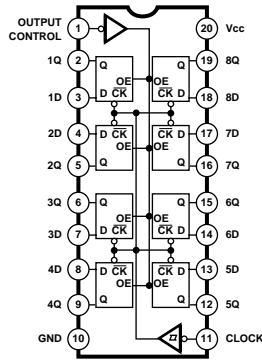
DM: IC011



- **HD74HC374FPEL** (XL342A00)
- **SN74HC374ANSR** (XW894A00)

Octal 3-State D-Type Flip-Flop

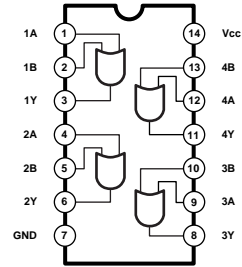
DM: IC012



- **HD74HC32FPEL** (XL095A00)
- **TC74HC32AF** (XN241A00)

Quad 2 Input OR

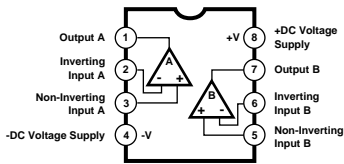
DM: IC014



- **μPC4570G2** (XF291A00)

Dual Operational Amplifier

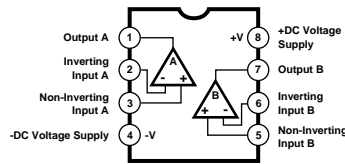
DM: IC106, 109, 110  
AUX: IC501



- **NJM4556AM(T1)** (XQ138A00)

Dual Operational Amplifier

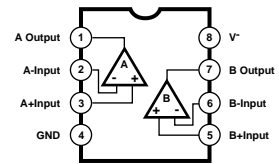
DM: IC105, 108



- **NJM2903M(T1)** (XD672A00)

Dual Comparator

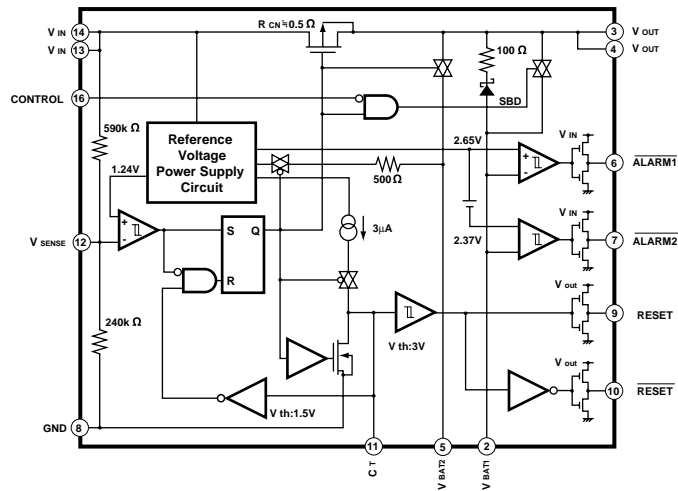
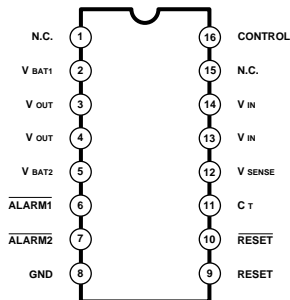
JK: IC210-212



- **MB3790PF**(XR967A00)

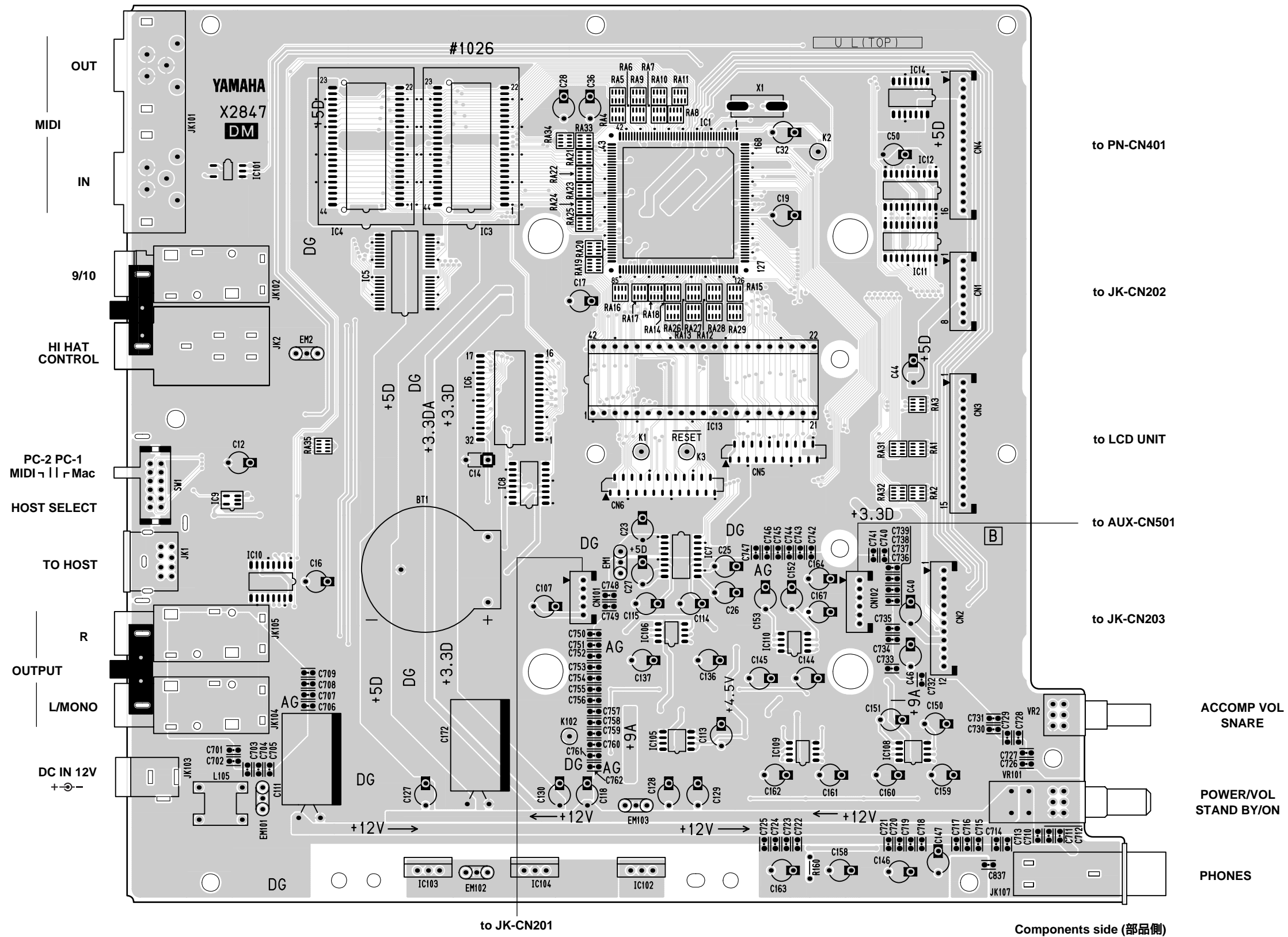
RESET

DM: IC008

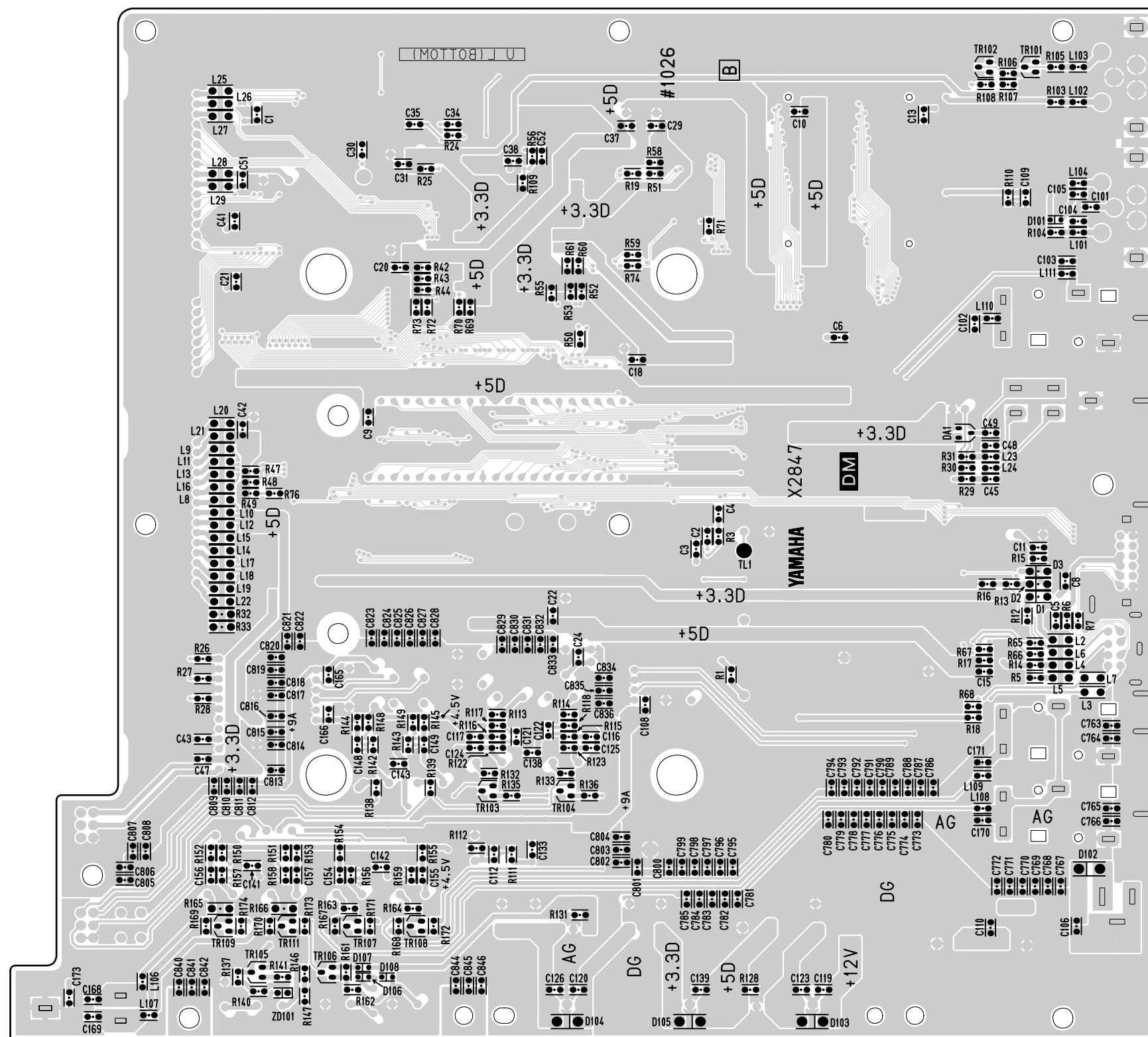


■ CIRCUIT BOARDS (シート基板図)

● DM Circuit Board (DMシート)

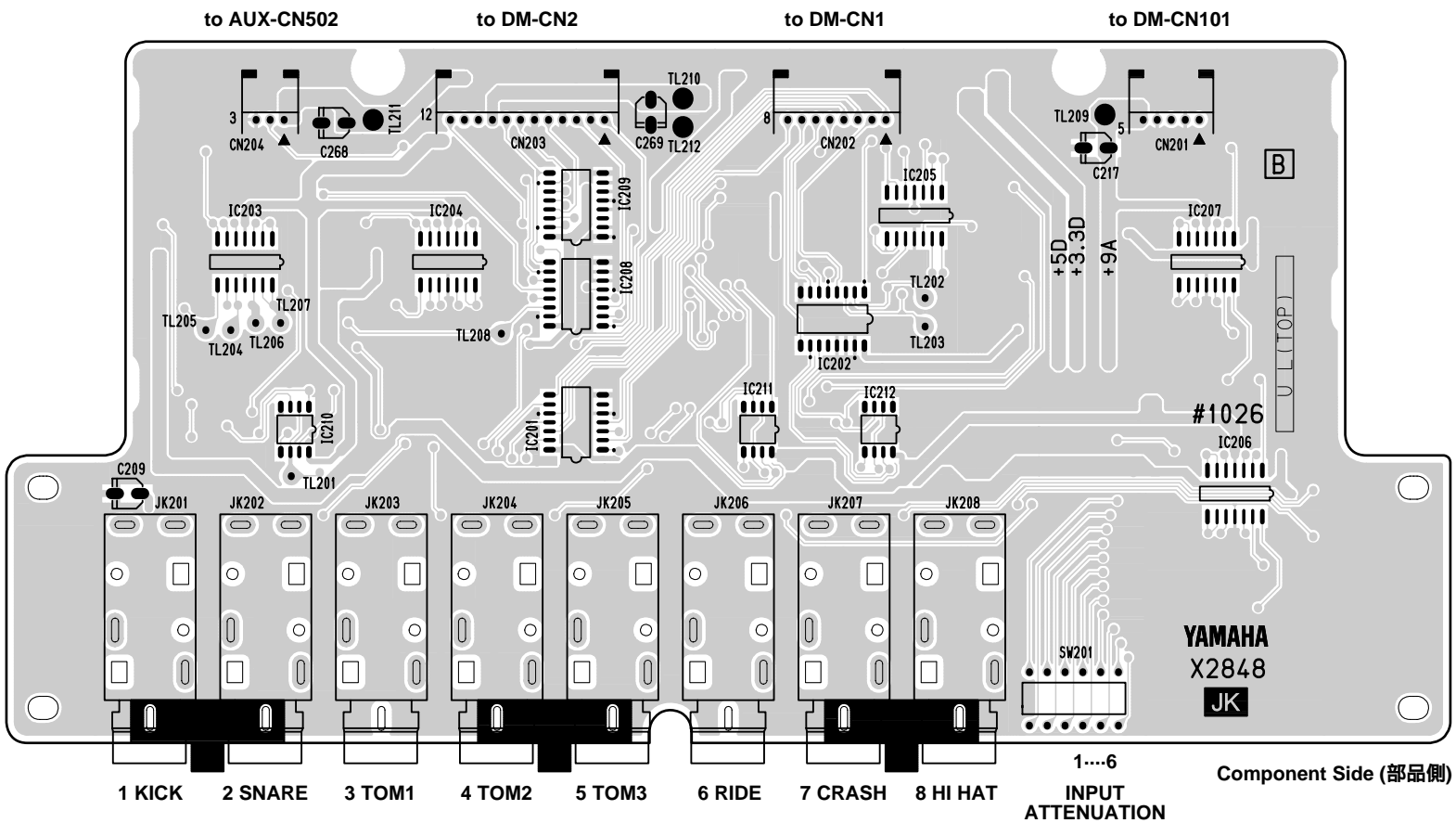


●DM Circuit Board (DMシート)



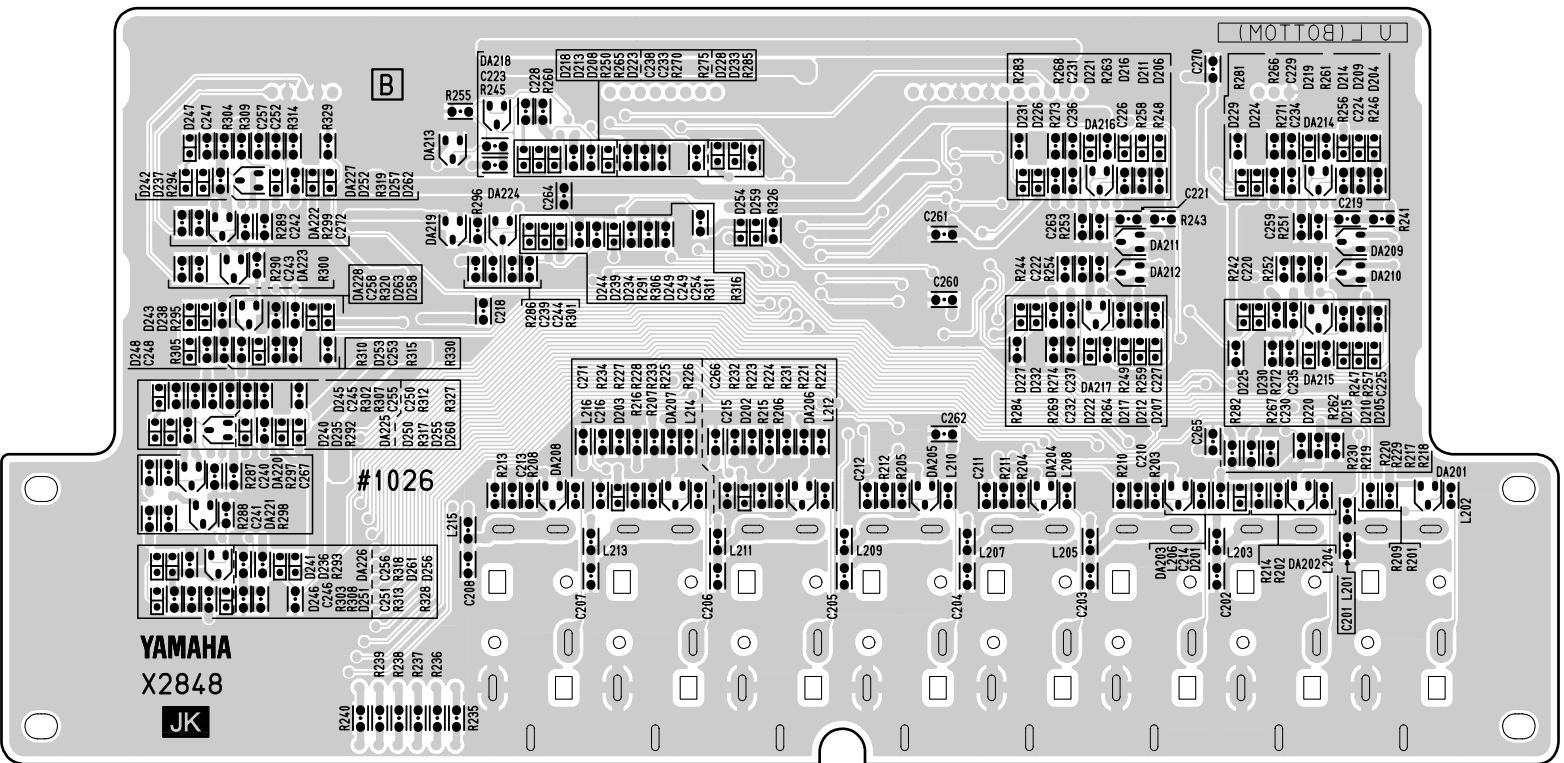
Pattern Side (パターン側)

● JK Circuit Board (JK型)



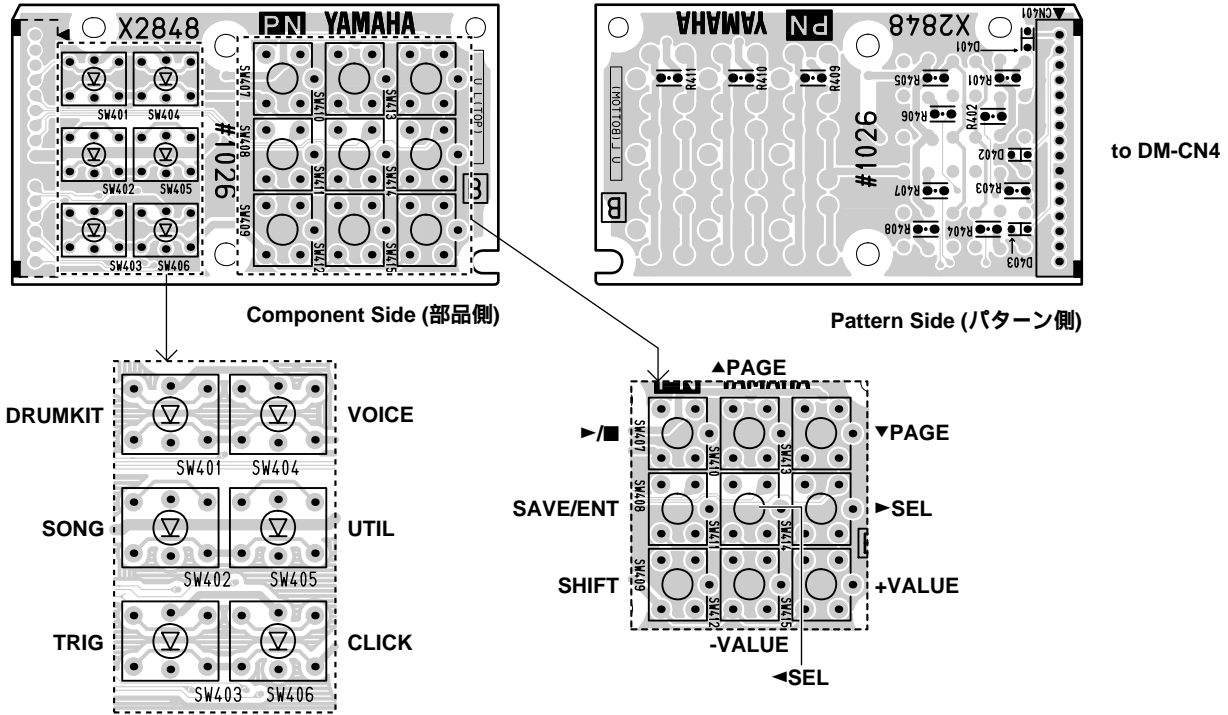


● JK Circuit Board (JKショート)

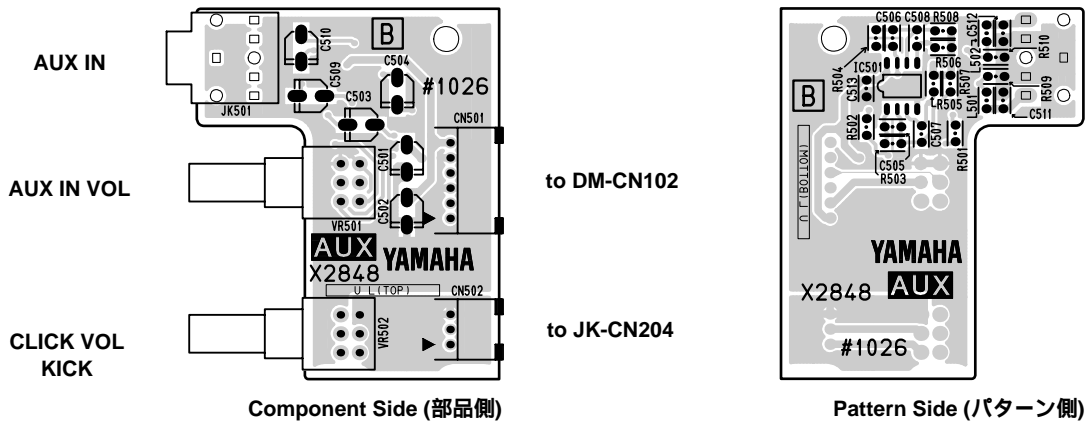


Pattern Side (パターン側)

● PN Circuit Board (PNシート)



● AUX Circuit Board (AUXシート)



## ■ TEST PROGRAM

### A. LIST OF TESTS

Test No.	Items	Judgment Criteria
T—1.	ROM	PROGRAM ROM READ(Automatic Test)
T—2.	SRAM	SRAM READ/WRITE(Automatic Test)
T—3.	WAVE ROM	WAVE ROM READ(Automatic Test)
T—4.	EFFECT DRAM	DRAM READ/WRITE(Automatic Test)
T—5.	BATTERY	Automatic Test
T—6.	MIDI	MIDI IN to OUT Connect
T—7.	TO HOST	Pin short or TO HOST Loop Back Cable
T—8.	CLICK VOL	Maximum ,Minimum
T—9.	ACCOMP VOL	Maximum ,Minimum
T—10.	LCD	Display of each pattern LCD, Contrast
T—11.	LED	Viewing, LED ON/OFF
T—12.	SW	Panel SW ON
T—13.	ATT. SW IN 01	The loop signal is input from PHONES.
T—14.	ATT. SW IN 02	The loop signal is input from PHONES.
T—15.	ATT. SW IN 03	The loop signal is input from PHONES.
T—16.	ATT. SW IN 04	The loop signal is input from PHONES.
T—17.	ATT. SW IN 05	The loop signal is input from PHONES.
T—18.	ATT. SW IN 06	The loop signal is input from PHONES.
T—19.	TRIGGER IN 1	The loop signal is input from PHONES.
T—20.	TRIGGER IN 2	The loop signal is input from PHONES.
T—21.	TRIGGER IN 3	The loop signal is input from PHONES.
T—22.	TRIGGER IN 4	The loop signal is input from PHONES.
T—23.	TRIGGER IN 5	The loop signal is input from PHONES.
T—24.	TRIGGER IN 6	The loop signal is input from PHONES.
T—25.	TRIGGER IN 7	The loop signal is input from PHONES.
T—26.	TRIGGER IN 8	The loop signal is input from PHONES.
T—27.	TRIGGER IN 9	The loop signal is input from PHONES.
T—28.	TRIGGER IN 10	The loop signal is input from PHONES.
T—29.	RIM SW IN 1	Switch ON/OFF Check
T—30.	RIM SW IN 2	Switch ON/OFF Check
T—31.	RIM SW L IN 2	Switch ON/OFF Check(three zone side)
T—32.	RIM SW IN 3	Switch ON/OFF Check
T—33.	RIM SW IN 4	Switch ON/OFF Check
T—34.	RIM SW IN 5	Switch ON/OFF Check
T—35.	RIM SW IN 6	Switch ON/OFF Check
T—36.	RIM SW L IN 6	Switch ON/OFF Check(three zone side)
T—37.	RIM SW IN 7	Switch ON/OFF Check
T—38.	RIM SW L IN 7	Switch ON/OFF Check(three zone side)
T—39.	RIM SW IN 8	Switch ON/OFF Check
T—40.	HOST SELECT SW	HOST SELECT Switch Check
T—41.	H.H. CONT.	Maximum ,Minimum
T—42.	OUTPUT L 1kHz	Measurement
T—43.	OUTPUT R 1kHz	Measurement
T—44.	AUX INPUT	Measurement
T—45.	32ch OUT	Listening
T—46.	FACTORY SET	
T—47.	EXIT	

**B. MEASURING REQUIREMENTS**

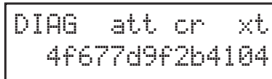
The following measuring instruments and jigs are required for testing the main unit.

Instruments : Low-frequency oscillator, Analog waveform-measuring instrument, Keyboard amplifier

Jigs : MIDI cable, TO HOST Loop Back cable  
Pad with the 3-zone RIM switch (TP-65S etc.)  
HH65

**C. HOW TO ENTER THE PROGRAM**

While pressing the [DRUMKIT] and [▶/■] buttons turn the power switch on. When the test program is initiated, the Parameters will appear on the LCD display.



For any change, set each of the parameters shown below. For setting, select the parameter you want to change by using the [◀SEL.] or [SEL.▶] button and it with [VALUE+] or [VALUE-]. Listed below are the parameters.

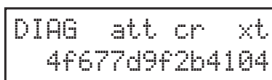
- \* All parameters cover the range of 00 to ff.(Hexadecimal)
- \* If the upper or lower limit is shown, include that particular value also in the OK range.

- ATTsw=ON in 4f-INPUT 1 through 10.. Lower limit in the OK range of (L GAIN)
- ATTsw=ON in 67-INPUT 1 through 10.. Upper limit in the OK range of (L GAIN)
- ATTsw=OFF in 7d-INPUT 1 through 10. Lower limit in the OK range of (H GAIN)
- ATTsw=OFF in 9f-INPUT 1 through 10. Upper limit in the OK range of (H GAIN)
- ATTsw=ON in 67-INPUT 1 through 10. Lower limit in the OK range after time elapse in time count of (L GAIN)
- ATTsw=ON in 41-INPUT 1 through 10. Upper limit in the OK range after time elapse in time count of (L GAIN)
- Upper limit of cross talk value in 04-INPUT 1 to 10
- \* After changing all parameters, press the [SAVE/ ENT] button and enter the “Test No. Select Screen.”

**D. PROCEEDING THROUGH THE TEST PROGRAM**

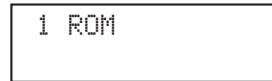
When entering the test program, the following display will appear.

(Normally use the value shown above for the test.)



For any change, set each of the parameters shown below. For setting, use the [◀SEL] or [SEL▶] button to select the parameter you want to change and set it with [VALUE+] or [VALUE-].

Pressing the [SAVE/ ENT] button will display the following screen.



To select a test program number, use the [◀SEL.] or [SEL.▶] buttons. After making your selection, push the [SAVE/ENT] button to begin the test program. It will proceed automatically.

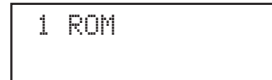
If any failure occurs, FAIL will be displayed and the test will stop.

**HOW to continue the test when judged to be FAIL**

If the test fails, the [FAIL] message is displayed on the LCD. To move on to another test program when the test has failed, depress the [SHIFT] button and select the new test program.

**T-1. ROM**

(Initial Display)



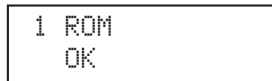
(Description of Test)  
Executes a read verify test of ROM(IC13)

(Test Procedure)  
The test is executed.

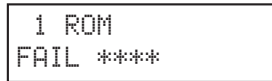
(Check Item)  
The test judgment is checked in LCD.

(Display of Judgment Result)

OK



NG

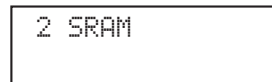


(Description of FAIL judgment)  
None

(Test End)  
OK : It proceeds to the next test automatically.  
NG : If an error is detected during the test, refer to section D,[PROCEEDING THROUGH THE TEST PROGRAM].

**T-2. SRAM**

(Initial Display)



(Description of Test)

Data "A5" is written/read(write/read) into the SRAM(IC6) domain, and the verification check is carried out.

(Test Procedure)

The test judgment is checked in LCD.

(Check Item)

The test judgment is checked in LCD.

(Display of Judgment Result)

OK	2 SRAM OK
----	--------------

NG	2 SRAM FAIL
----	----------------

(Description of FAIL judgment)

None

(Test End)

OK : It proceeds to the next test automatically.

NG : If an error is detected during the test, refer to section D,[PROCEEDING THROUGH THE TEST PROGRAM].

### T-3. WAVE ROM

(Initial Display)

3 WAVE ROM
------------

(Description of Test)

Read and verifies the WAVE ROMs (IC3, IC4) through the SWX00.

(Test Procedure)

The test is executed.

(Check Item)

The test judgment is checked in LCD.

(Display of Judgment Result)

OK	3 WAVE ROM OK
----	------------------

NG	3 WAVE ROM FAIL WROM IC3
----	-----------------------------

(Instance)

(Description of FAIL judgment)

None

(Test End)

OK : It proceeds to the next test automatically.

NG : If an error is detected during the test, refer to section D,[PROCEEDING THROUGH THE TEST PROGRAM].

### T-4. EFFECT DRAM

(Initial Display)

4 EFFECT DRAM
---------------

(Description of Test)

Reads and verifies the DRAM (IC5) through the SWX00.

(Test Procedure)

The test is executed.

(Check Item)

The test judgment is checked in LCD.

(Display of Judgment Result)

OK	4 EFFECT DRAM OK
----	---------------------

NG	4 EFFECT DRAM FAIL
----	-----------------------

(Description of FAIL judgment)

None

(Test End)

OK : It proceeds to the next test automatically.

NG : If an error is detected during the test, refer to section D,[PROCEEDING THROUGH THE TEST PROGRAM].

### T-5. BATTERY

(Initial Display)

5 BATTERY
-----------

(Description of Test)

Checks battery strength.

(Test Procedure)

The test is executed.

(Check Item)

The test judgment is checked in LCD.

(Display of Judgment Result)

OK	5 BATTERY OK
----	-----------------

NG	5 BATTERY FAIL
----	-------------------

(Description of FAIL judgment)

None

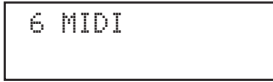
(Test End)

OK : It proceeds to the next test automatically.

NG : If an error is detected during the test, refer to section D,[PROCEEDING THROUGH THE TEST PROGRAM].

**T-6. MIDI**

(Initial Display)



(Description of Test)

The test pattern(AA 50 5F) is sent from MIDI OUT and receives at IN.

(Test Procedure)

Before starting the test, connect the MIDI IN and MIDI OUT connectors using a MIDI cable.

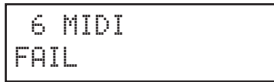
(Check Item)

The test judgment is checked in LCD.

(Display of Judgment Result)

OK It proceeds to the next test automatically.

NG



(Description of FAIL judgment)

None

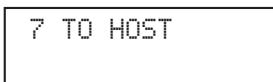
(Test End)

OK : It proceeds to the next test automatically.

NG : If an error is detected during the test, refer to section D,[PROCEEDING THROUGH THE TEST PROGRAM].

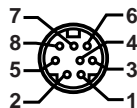
**T-7. TO HOST**

(Initial Display)



(Description of Test)

Insert the TO HOST Loop Back cable (pin 3/ pin 5 and pin 6/ pin 8 being respectively shorted on the TO HOST terminal).



(Test Procedure)

Insert the TO HOST Loop Back cable and resume the test.

(Check Item)

The test judgment is checked in LCD.

(Display of Judgment Result)

OK



NG



(Description of FAIL judgment)

None

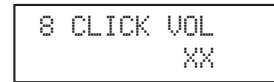
(Test End)

OK : It proceeds to the next test automatically.

NG : If an error is detected during the test, refer to section D,[PROCEEDING THROUGH THE TEST PROGRAM].

**T-8. CLICK VOL**

(Initial Display)



XX is 0 to 99

(Description of Test)

Check that the CLICK volume knob operates normally.

(Test Procedure)

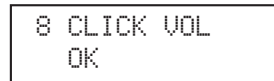
The numbers 0 to 99 will be indicated on the MEASURE INPUT part of the LCD when turning the CLICK volume from minimum to maximum position.

(Check Item)

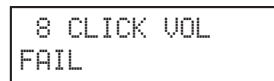
The test judgment is checked in LCD.

(Display of Judgment Result)

OK



NG



(Description of FAIL judgment)

None

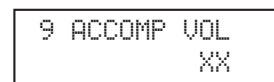
(Test End)

OK : It proceeds to the next test automatically.

NG : If an error is detected during the test, refer to section D,[PROCEEDING THROUGH THE TEST PROGRAM].

**T-9. ACCOMP.VOL**

(Initial Display)



XX is 0 to 99

(Description of Test)

Check that the ACCOMP volume knob operates normally.

(Test Procedure)

The numbers 0 to 99 will be indicated on the MEASURE INPUT part of the LCD when turning the ACCOMP volume from minimum to maximum position.

(Check Item)

The test judgment is checked in LCD.

(Display of Judgment Result)

OK	9 ACCOMP VOL OK
----	--------------------

NG	9 ACCOMP VOL FAIL
----	----------------------

(Description of FAIL judgment)

None

(Test End)

OK : It proceeds to the next test automatically.

NG : If an error is detected during the test, refer to section D,[PROCEEDING THROUGH THE TEST PROGRAM].

**T-10. LCD**

(Initial Display)

10 LCD
--------

(Description of Test)

The dot of LCD is seen and checked by the eye.

(Test Procedure)

Check the LCD dots while looking at them with your own eyes.

(Check Item)

The test judgment is checked in LCD.

(Display of Judgment Result)

None

(Description of FAIL judgment)

None

(Test End)

If “ENTER” is displayed, press the [SAVE/ENT] button and proceed to the next test.

**T-11. LED**

(Initial Display)

11 LED
--------

(Description of Test)

Use this test to visually confirm that all LEDs are producing appropriate brightness.

(Test Procedure)

Panel LEDs light the following order.

↓

[DRUMKIT]  
[SONG]  
[TRIG]  
[VOICE]  
[UTIL]  
[CLICK]

This test mode lights all LEDs, then ends.

(Check Item)

Confirm that the LEDs light up in the above test order.

(Description of FAIL judgment)

None

(Test End)

If “ENTER” is displayed, press the [SAVE/ENT] button and proceed to the next test.

**T-12. Panel Switch**

(Initial Display)

12 SW [ KIT]
-----------------

(Description of Test)

This test checks the panel switches.

(Test Procedure)

12 SW [ KIT]
-----------------

[DRUMKIT], [SONG], [TRIG], [VOICE], [UTIL], [CLICK], [▶/■], [SAVE/], [SHIFT], [PAGE▲], [◀SEL], [VAL-], [PAGE▼], [SEL▶], [VAL+]

(Check Item)

The test judgment is checked in LCD.

(Display of Judgment Result)

OK	12 SW OK
----	-------------

NG	12 SW FAIL
----	---------------

(Description of FAIL judgment)

None

(Test End)

OK : It proceeds to the next test automatically.

NG : If an error is detected during the test, refer to section D,[PROCEEDING THROUGH THE TEST PROGRAM].

- T-13. ATT. SW IN 01
- T-14. ATT. SW IN 02
- T-15. ATT. SW IN 03
- T-16. ATT. SW IN 04
- T-17. ATT. SW IN 05
- T-18. ATT. SW IN 06

(Initial Display)

```
13 ATT. SW IN01
waiting too Lo
```

(Description of Test)

Confirm that a looped signal from PHONES on the H side is added and inputted by the ATT SW for 1.KICK to 6.RIDE and that the signal thus inputted is entered with a correct gain in the CPU. Also check that no signals are missing in other input procedure.

\* The output waveform from the headphones consists of a sine wave with a frequency of 4 kHz and level of 1.25 Vpp (+1.25 V to -1.25 V).

(Test Procedure)

Move all ATT SWs to the H side.

Turn MASTER VR to maximum.

Insert the stereo cable looped from PHONES into the jacks in order starting with 1.KICK.

OK

```
14 ATT. SW IN02
waiting
```

When the above display appears, insert the stereo cable into 2.SNARE. Repeat this procedure in order up to 6.RIDE to check for operation.

(Check Item)

Check the results of the LCD test.

(Display of Judgment Result)

OK

```
13 ATT. SW IN01
OK
```

NG

```
13 ATT. SW IN01
FAIL
```

(Description of FAIL judgment)

Next, it will not progress.

(Test End)

OK : It proceeds to the next test automatically.

NG : If an error is detected during the test, refer to section D,[PROCEEDING THROUGH THE TEST PROGRAM].

- T-19. TRIGGER SW IN 1
- T-20. TRIGGER SW IN 2
- T-21. TRIGGER SW IN 3
- T-22. TRIGGER SW IN 4
- T-23. TRIGGER SW IN 5
- T-24. TRIGGER SW IN 6
- T-25. TRIGGER SW IN 7
- T-26. TRIGGER SW IN 8
- T-27. TRIGGER SW IN 9
- T-28. TRIGGER SW IN 10

(Initial Display)

```
19 TRIGGER IN01
waiting too Lo
```

(Description of Test)

Add a looped signal from PHONES to the input for 1.KICK to 9/10 and confirm that the inputted signal is entered with a correct gain in the CPU. Also confirm that no signals are missing in other input procedure.

\* The output waveform from the headphones consists of a sine wave with a frequency of 4 kHz and level of 1.25 Vpp (+1.25 V to -1.25 V).

(Test Procedure)

All ATT. SW is moved to the L side.

Set MASTER volume to maximum.

Insert one end of, the stereo cable into the PHONES jack and the other into the 1.KICK jack.

OK

```
19 TRIGGER IN02
waiting too Lo
```

When the above display appears, insert the stereo cable into 2.SNARE. Repeat this procedure in order up to 9/10 to check for operation.

(Check Item)

The test judgment is checked in LCD.

(Display of Judgment Result)

OK

```
19 TRIGGER IN01
OK
```

NG

```
19 TRIGGER IN01
FAIL XXXXX
```

XXXXX= High, too Lo, XtalkIN2, BAD CR etc

(Description of FAIL judgment)

Next, it will not progress.

(Test End)

OK : It proceeds to the next test automatically.

NG : If an error is detected during the test, refer to section D,[PROCEEDING THROUGH THE TEST PROGRAM].



- T-29. RIM SW IN 1
- T-30. RIM SW IN 2
- T-31. RIM SW L IN 2
- T-32. RIM SW IN 3
- T-33. RIM SW IN 4
- T-34. RIM SW IN 5
- T-35. RIM SW IN 6
- T-36. RIM SW L IN 6
- T-37. RIM SW IN 7
- T-38. RIM SW L IN 7
- T-39. RIM SW IN 8

(Initial Display)

```
29 RIM SW  IN01
waiting
```

(Description of Test)

For an input into eight jacks 1.KICK to 8.H.HAT, connect a pad with a RIM switch (TP-65S etc.) attached and check for correct operation. For IN2, IN6, and IN7, also check 3-zone RIM switch.

(Test Procedure)

Connect to each jack in the order to INPUT1 to 8 the pad with the 3-zone RIM switch (TP-65S etc.) attached, and press the RIM switch.

(Operation can be activated by pinching the area close to the RIM switch.)

```
29 RIM SW  IN01
waiting
```

OK

```
30 RIM SW  IN02
waiting
```

When the above appears, insert the pad into 2.SNARE.

Repeat this procedure up to 8.H.HAT and check for operation.

\* When [L] is displayed, press the switch on the 3-zone L side.

(Operation can be activated by pinching the area close to the RIM switch L.)

(Check Item)

Check the results of the LCD test.

(Display of Judgment Result)

OK

```
29 RIM SW  IN01
OK
```

NG

```
29 RIM SW  IN01
FAIL
```

(Description of FAIL judgment)

Next, it will not progress.

(Test End)

OK : It proceeds to the next test automatically.

NG : If an error is detected during the test, refer to section D,[PROCEEDING THROUGH THE TEST PROGRAM].

**T-40. HOST SELECT**

(Initial Display)

```
40 HOST SELECT
[XXXXX]
```

(XXXXX=MAC, PC-1, PC-2, MIDI)

(Description of Test)

This test check the HOST SELECT switch.

(Test Procedure)

Set the HOST SELECT switch to match the display.

(Check Item)

The test judgment is checked in LCD.

(Display of Judgment Result)

OK

```
40 HOST SELECT
OK
```

NG

```
40 HOST SELECT
FAIL
```

(Description of FAIL judgment)

None

(Test End)

OK : It proceeds to the next test automatically.

NG : If an error is detected during the test, refer to section D,[PROCEEDING THROUGH THE TEST PROGRAM].

**T-41. H.H. CONT.**

(Initial Display)

```
41 H.H. CONT.
99
```

(Description of Test)

Checks that control by HI HAT CONTROL (HH65 etc.) operates normally.

(Test Procedure)

Inserts the HH CONTROL plug and turn the potentiometer from maximum to minimum position.

(Check Item)

The test judgment is checked in LCD.

(Display of Judgment Result)

OK

```
41 H.H. CONT
OK
```

NG None

(Description of FAIL judgment)

Even if it operates controller, it will not advance to the next.

(Test End)

OK: It proceeds to the next test automatically.

#### T-42. OUTPUT L 1kHz

(Initial Display)



(Description of Test)

This test check the OUTPUT(L/MONO) for the specified signal output level.

(Test Procedure)

Inserts the plugs into the OUTPUT(L/MONO and R) jacks. Set the MASTER volume to maximum and AUX IN volume to minimum.

Use the frequency counter, oscilloscope, distortion meter and level meter (with flat filter) to measure frequency, waveform, distortion and output level.

Check that the AUX IN jack is unplugged and that the input voltage is less than -90 dBm.

(Check Item)

Check that the output meets the following specifications:

OUTPUT(L/MONO):

1 kHz  $\pm$  3 Hz, sine wave,  $-2.6 \pm 2$  dBm(10 K $\Omega$  load), distortion is less than 0.5 %

When the OUTPUT(R) is disconnected:

OUTPUT(L/MONO):

1 kHz  $\pm$  3 Hz, sine wave,  $-8.5 \pm 2$  dBm(10 K $\Omega$  load), distortion is less than 0.5 %

(Display of Judgment Result)

None

(Description of FAIL judgment)

None

(Test End)

OK: Press the [SAVE/ENT] button. It proceeds to the next test automatically.

#### T-43. OUTPUT R 1kHz

(Initial Display)



(Description of Test)

This test check the OUTPUT(R) for the specified signal output level.

(Test Procedure)

Inserts the plugs into the OUTPUT(L/MONO and R) jacks. Set the MASTER volume to maximum and AUX IN volume to minimum. Use the frequency counter, oscilloscope, distortion meter and level meter (with flat filter) to measure frequency, waveform, distortion and output level.

Check that the AUX IN jack is unplugged and that the input voltage is less than -90 dBm.

(Check Item)

Check that the output meets the following specifications:

OUTPUT(R):

1 kHz  $\pm$  3 Hz, sine wave,  $-2.6 \pm 2$  dBm(10 K $\Omega$  load), distortion is less than 0.5 %

When the plug of OUTPUT(R) is pulled out:

OUTPUT(R):

1 kHz  $\pm$  3 Hz, sine wave,  $-8.5 \pm 2$  dBm(10 K $\Omega$  load), distortion is less than 0.5 %

(Display of Judgment Result)

None

(Description of FAIL judgment)

None

(Test End)

OK: Press the [SAVE/ENT] button. It proceeds to the next test automatically.

#### T-44. AUX INPUT

(Initial Display)



(Description of Test)

This test check the AUX IN signal output to the PHONES for the specified signal output level.

(Test Procedure)

The sine wave is input to AUX IN(L). Insert the stereo phone plugs into the PHONES jack. Use the frequency counter, oscilloscope, distortion meter and level meter (with flat filter) to measure frequency, waveform, distortion and output level.

(Check Item)

Apply a -20 dBm sine wave(1 kHz) to the AUX IN(L).

(AUX IN(R) should be shorted to ground.)

Make the AUX IN volume and the mastering volume maximum.

PHONES(L):

$5.7 \pm 2$  dBm(33  $\Omega$  load), distortion is less than 0.5 %

Apply a -20 dBm sine wave(1 kHz) to the AUX IN(R).

(AUX IN(L) should be shorted to ground.)

Set the AUX IN volume to maximum.

PHONES(R):

$5.7 \pm 2$  dBm(33  $\Omega$  load), distortion is less than 0.5 %

(Display of Judgment Result)

None

(Description of FAIL judgment)


None

(Test End)

OK: Press the [SAVE/ENT] button. It proceeds to the next test automatically.

#### T-45. 32ch OUT

(Initial Display)



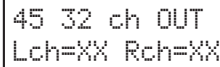
(Description of Test)

Check that the correct sine wave signals are output from the unit. The signal from channels 1 to 16 is output from the left output jack, that from channels 17 to 32 is output from the right.

(Test Procedure)

Press the [SAVE/ENT] button. Then the signals are output 16 times (0.3 seconds on and 0.1 seconds off) for all 32 channels.

Set the MASTER volume to maximum.



XX indicate the sound output channels.

(Check Item)

Check that all 32 signals are output.

(Display of Judgment Result)

None

(Description of FAIL judgment)

None

(Test End)

OK: Press the [SAVE/ENT] button. It proceeds to the next test automatically.

#### T-46. FACTORY SET

(Initial Display)



(Description of Test)

This test sets parameters back to their factory values.

(Test Procedure)

To initiate this reset, press the [SAVE/ENT] button. It proceeds to the next test automatically.

(Check Item)

None

(Display of Judgment Result)

None

(Description of FAIL judgment)

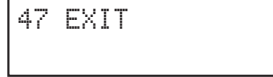
None

(Test End)

None

#### T-47. EXIT

(Initial Display)



(Description of Test)

Exit from play mode.

(Test Procedure)

Press the [SAVE/ENT] button to exit from TEST mode.

(Check Item)

None

(Display of Judgment Result)

None

(Description of FAIL judgment)

None

(Test End)

None

(Comments)

The system responds to the EXIT by executing the normal power-up sequence. The system will require a few seconds to enable itself for normal play.

## ■ テストプログラム

### A. テスト一覧表

テスト番号	表題	判定条件等
T-1.	ROM	プログラム ROM READ (自動テスト)
T-2.	SRAM	SRAM READ/WRITE (自動テスト)
T-3.	WAVE ROM	WAVE ROM READ (自動テスト)
T-4.	EFFECT DRAM	DRAM READ/WRITE (自動テスト)
T-5.	BATTERY	自動テスト
T-6.	MIDI	MIDI INとOUTを接続する
T-7.	TO HOST	ピンショート又は、TO HOST Loop Back ケーブル
T-8.	CLICK VOL	MAX,MIN
T-9.	ACCOMP VOL	MAX,MIN
T-10.	LCD	LCDの各パターンの表示、コントラスト
T-11.	LED	目視、LED ON/OFF
T-12.	SW	パネルSW ON
T-13.	アッテネータSW IN 01	PHONESからループさせた信号を入力
T-14.	アッテネータSW IN 02	PHONESからループさせた信号を入力
T-15.	アッテネータSW IN 03	PHONESからループさせた信号を入力
T-16.	アッテネータSW IN 04	PHONESからループさせた信号を入力
T-17.	アッテネータSW IN 05	PHONESからループさせた信号を入力
T-18.	アッテネータSW IN 06	PHONESからループさせた信号を入力
T-19.	TRIGGER IN 1	PHONESからループさせた信号を入力
T-20.	TRIGGER IN 2	PHONESからループさせた信号を入力
T-21.	TRIGGER IN 3	PHONESからループさせた信号を入力
T-22.	TRIGGER IN 4	PHONESからループさせた信号を入力
T-23.	TRIGGER IN 5	PHONESからループさせた信号を入力
T-24.	TRIGGER IN 6	PHONESからループさせた信号を入力
T-25.	TRIGGER IN 7	PHONESからループさせた信号を入力
T-26.	TRIGGER IN 8	PHONESからループさせた信号を入力
T-27.	TRIGGER IN 9	PHONESからループさせた信号を入力
T-28.	TRIGGER IN 10	PHONESからループさせた信号を入力
T-29.	RIM SW IN 1	スイッチON/OFFのチェック
T-30.	RIM SW IN 2	スイッチON/OFFのチェック
T-31.	RIM SW L IN 2	スイッチON/OFFのチェック (3ゾーン側)
T-32.	RIM SW IN 3	スイッチON/OFFのチェック
T-33.	RIM SW IN 4	スイッチON/OFFのチェック
T-34.	RIM SW IN 5	スイッチON/OFFのチェック
T-35.	RIM SW IN 6	スイッチON/OFFのチェック
T-36.	RIM SW L IN 6	スイッチON/OFFのチェック (3ゾーン側)
T-37.	RIM SW IN 7	スイッチON/OFFのチェック
T-38.	RIM SW L IN 7	スイッチON/OFFのチェック (3ゾーン側)
T-39.	RIM SW IN 8	スイッチON/OFFのチェック
T-40.	HOST SELECT SW	HOST SELECTスイッチのチェック
T-41.	H.H. CONT.	MAX,MIN
T-42.	OUTPUT L 1kHz	計測
T-43.	OUTPUT R 1kHz	計測
T-44.	AUX INPUT	計測
T-45.	32ch OUT	聴感
T-46.	FACTORY SET	
T-47.	EXIT	

## B. 測定条件

本体をテストする場合、次の測定器、治具が必要です。

測定器：低周波発振器、アナログ波形測定器、  
キーボードアンプ

治具：MIDIケーブル、TO HOST Loop Back ケーブル、  
3ゾーンRIMスイッチ付パッド（TP-65S等）  
HH65

## C. テストエントリー

次のボタンを同時に押しながら、本体の電源を立ち上げます。  
[DRUMKIT]+[▶/■]

```
DIAG att cr xt
4f677d9f2b4104
```

変更があったときは、下段の各パラメータを設定します。各パラメータの設定は、[◀SEL.]及び、[SEL.▶]で、変更したいパラメータを選択し、[VALUE+],[VALUE-]で設定します。

尚、各パラメータの詳細は以下のとおりです。

\*すべてのパラメータの範囲は、00～ff（16進）です。

\*上限、下限とあるものはその値もOK領域に含めます。

4f-INPUT 1～10でATTsw=ON (L GAIN)のOK領域の下限

67-INPUT 1～10でATTsw=ON (L GAIN)のOK領域の上限

7d-INPUT 1～10でATTsw=OFF (H GAIN)のOK領域の下限

9f-INPUT 1～10でATTsw=OFF (H GAIN)のOK領域の上限

2b-INPUT 1～10でATTsw=ON (L GAIN)の時定数検査で

時間経過後OK領域の下限

41-INPUT 1～10でATTsw=ON (L GAIN)の時定数検査で

時間経過後OK領域の上限

04-INPUT 1～10でクロストーク値の上限

\*すべてのパラメータを変更したら、[SAVE/ENT]を押して「テストナンバー選択画面」に入ります。

## D. テストの進め方、及びFAILの時のテストの進め方

テストにエントリーすると、次の画面が表示されます。

```
DIAG att cr xt
4f677d9f2b4104
```

変更があったときは、下段の各パラメータを設定します。

各パラメータの設定は、[◀SEL.]及び、[SEL.▶]で、変更したいパラメータを選択し、[VALUE+],[VALUE-]で設定します。

[SAVE/ENT]を押すと以下の画面が表示されます。

（通常は、上図で示された値でテストをして下さい。）

```
1 ROM
```

この状態を「テストナンバー選択画面」とします。

[◀SEL.]及び、[SEL.▶]を用いてテストナンバーを選択し、[SAVE/ENT]を押すと、選択されたテストからテストナンバー順に自動的にテストが実行されます。

不良が発生した場合、FAIL表示を行ってテストは止まりません。

## FAILと判断したときのテストの進め方

各テストにおいて、FAILと判断した場合、[SHIFT]を押すと、テストナンバー選択画面になります。

### T-1. ROM

（最初の表示）

```
1 ROM
```

（テスト内容）

ROM(IC13)のデータをリードしてベリファイします。

（テスト方法）

テストを実行させます。

（チェック項目）

LCDのテスト結果を確認します。

（判定結果の表示）

OK

```
1 ROM
OK
```

NG

```
1 ROM
FAIL ****
```

（FAIL判定内容）

なし

（テストの終了方法）

OK：次のテストに進みます。

NG：FAILと判断した場合の処理方法は、「D. テストの進め方」を参照してください。

### T-2. SRAM

（最初の表示）

```
2 SRAM
```

（テスト内容）

SRAM(IC6)領域にデータ“A5”をライト/リードしてベリファイチェックします。

（テスト方法）

テストを実行させます。

（チェック項目）

LCDのテスト結果を確認します。

（判定結果の表示）

OK

```
2 SRAM
OK
```

NG

```

2 SRAM
FAIL

```

(FAIL 判定内容)

なし

(テストの終了方法)

OK : 次のテストに進みます。

NG : FAIL と判断した場合の処理方法は、”D. テストの進め方”を参照してください。

## T-3. WAVE ROM

(最初の表示)

```

3 WAVE ROM

```

(テスト内容)

SWX00 を介して2つの WAVE ROM(IC3,IC4)のデータをリードしてベリファイします。

(テスト方法)

テストを実行させます。

(チェック項目)

LCD のテスト結果を確認します。

(判定結果の表示)

OK

```

3 WAVE ROM
OK

```

NG (例)

```

3 WAVE ROM
FAIL WROM IC3

```

(FAIL 判定内容)

なし

(テストの終了方法)

OK : 次のテストに進みます。

NG : FAIL と判断した場合の処理方法は、”D. テストの進め方”を参照してください。

## T-4. EFFECT DRAM

(最初の表示)

```

4 EFFECT DRAM

```

(テスト内容)

SWX00 から DRAM(IC5)へデータをライトして、リードしてベリファイします。

(テスト方法)

テストを実行させます。

(チェック項目)

LCD のテスト結果を確認します。

(判定結果の表示)

OK

```

4 EFFECT DRAM
OK

```

NG

```

4 EFFECT DRAM
FAIL

```

(FAIL 判定内容)

なし

(テストの終了方法)

OK : 次のテストに進みます。

NG : FAIL と判断した場合の処理方法は、”D. テストの進め方”を参照してください。

## T-5. BATTERY

(最初の表示)

```

5 BATTERY

```

(テスト内容)

バッテリーが使用可能であることを確認します。

(テスト方法)

テストを実行させます。

(チェック項目)

LCD のテスト結果を確認します。

(判定結果の表示)

OK

```

5 BATTERY
OK

```

NG

```

5 BATTERY
FAIL

```

(FAIL 判定内容)

なし

(テストの終了方法)

OK : 次のテストに進みます。

NG : FAIL と判断した場合の処理方法は、”D. テストの進め方”を参照してください。

## T-6. MIDI

(最初の表示)

```

6 MIDI

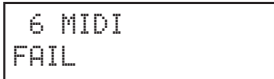
```

(テスト内容)  
MIDI OUT からテストパターン(AA 50 5F)を送り、IN で受信  
します。

(テスト方法)  
MIDI OUT と MIDI IN を MIDI ケーブルで接続したあと、テ  
ストを実行させます。

(チェック項目)  
LCD のテスト結果を確認します。

(判定結果の表示)  
OK 次のテストへ進みます。

NG 

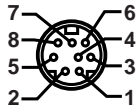
(FAIL 判定内容)  
なし

(テストの終了方法)  
OK : 次のテストに進みます。  
NG : FAIL と判断した場合の処理方法は、”D. テストの進め  
方”を参照してください。

T-7. TO HOST  
(最初の表示)




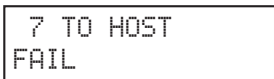
(テスト方法)  
TO HOST Loop Back ケーブル(TO HOST 端子の 3 番ピンと 5  
番ピン、6 番ピンと 8 番ピンがそれぞれショート)を差込み  
ます。



(テスト方法)  
TO HOST Loop Back ケーブルを差込み、テストを実行させ  
ます。

(チェック項目)  
LCD のテスト結果を確認します。

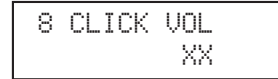
(判定結果の表示)  
OK 

NG 

(FAIL 判定内容)  
なし

(テストの終了方法)  
OK : 次のテストに進みます。  
NG : FAIL と判断した場合の処理方法は、”D. テストの進め  
方”を参照してください。

T-8. CLICK VOL  
(最初の表示)

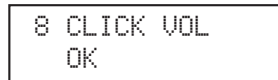


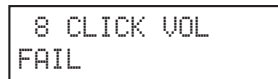
XX は 0 ~ 99 です。

(テスト内容)  
CLICK ボリュームによるコントロールが正常に作動するこ  
とを確認します。

(テスト方法)  
CLICK ボリュームを上限、下限まで、上下させます。(順番  
はどちらでもよい)  
レベルを LCD の下段に 0 ~ 99 の数字で表示します。

(チェック項目)  
LCD のテスト結果を確認します。

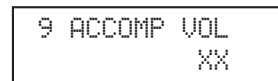
(判定結果の表示)  
OK 

NG 

(FAIL 判定内容)  
なし

(テストの終了方法)  
OK : 次のテストに進みます。  
NG : FAIL と判断した場合の処理方法は、”D. テストの進め  
方”を参照してください。

T-9. ACCOMP.VOL  
(最初の表示)



XX は 0 ~ 99 です。

(テスト内容)  
ACCOMP ボリュームによるコントロールが正常に作動する  
ことを確認します。

(テスト方法)  
ACCOMP ボリュームを上限、下限まで、上下させます。(順  
番はどちらでもよい)  
レベルを LCD の下段に 0 ~ 99 の数字で表示します。

(チェック項目)

LCDのテスト結果を確認します。

(判定結果の表示)

OK

```
9 ACCOMP VOL
  OK
```

NG

```
9 ACCOMP VOL
  FAIL
```

(FAIL 判定内容)

なし

(テストの終了方法)

OK: 次のテストに進みます。

NG: FAILと判断した場合の処理方法は、「D. テストの進め方」を参照してください。

T-10 LCD

(最初の表示)

```
10 LCD
```

(テスト内容)

LCDのドットを目で見て確認します。

(テスト方法)

LCDの黒と白が交互に点滅していることを確認します。

(チェック項目)

LCDのテスト結果を確認します。

(判定結果の表示)

なし

(FAIL 判定内容)

なし

(テストの終了方法)

「ENTER」が表示されたら、[SAVE/ENT]を押し、次のテストへ進みます。

T-11. LED

(最初の表示)

```
11 LED
```

(テスト内容)

LEDの点灯が正常に動作することを確認します。

(テスト方法)

次の順番に下記のパネルスイッチが対応するLEDが順次点灯することを確認します。

[DRUMKIT]  
[SONG]  
[TRIG]  
[VOICE]  
[UTIL]  
[CLICK]

最後に全点灯終了

(チェック項目)

上記のテスト方法の順にLEDが点灯しているか確認します。全てのLEDの明るさにばらつきがないか目視で確認します。

(判定結果の表示)

なし

(FAIL 判定内容)

なし

(テストの終了方法)

「ENTER」が表示されたら、[SAVE/ENT]を押し、次のテストへ進みます。

T-12. パネルSW

(最初の表示)

```
12 SW
[ KIT]
```

(テスト内容)

パネルスイッチのON/OFFが正常に動作することを確認します。

(テスト方法)

[DRUMKIT]から[VALUE+]までのパネルスイッチを以下のようなLCDの表示に従ってONします。

```
12 SW
[ KIT]
```

[DRUMKIT], [SONG], [TRIG], [VOICE],  
[UTIL], [CLICK], [▶/■], [SAVE/], [SHIFT],  
[PAGE▲], [◀SEL], [VAL-], [PAGE▼],  
[SEL▶], [VAL+]

(チェック項目)

LCDのテスト結果を確認します。

(判定結果の表示)

OK

```
12 SW
  OK
```

NG

```
12 SW
  FAIL
```



(FAIL 判定内容)

なし

(テストの終了方法)

OK: 次のテストに進みます。

NG: FAIL と判断した場合の処理方法は、”D. テストの進め方”を参照してください。

T-13. **アッテネータ** SW IN 01  
 T-14. **アッテネータ** SW IN 02  
 T-15. **アッテネータ** SW IN 03  
 T-16. **アッテネータ** SW IN 04  
 T-17. **アッテネータ** SW IN 05  
 T-18. **アッテネータ** SW IN 06

(最初の表示)

```
13 ATT. SW IN01
waiting too Lo
```

(テスト内容)

1.KICK ~ 6.RIDE のアッテネータスイッチが、H側で PHONES からループさせた信号を加え、入力された信号が正しいゲインで CPU に入力されることを確認します。さらに、他の入力に信号の漏れがないか確認します。

\* head phone からの出力波形は、周波数 4 kHz、レベルは 1.25 Vpp(+1.25 V ~ -1.25 V)の正弦波です。

(テスト方法)

アッテネータスイッチをすべて H 側に切り替えます。

MASTER VR を最大にします。

1.KICK から順番に PHONES からループさせたステレオケーブルを差し込みます。

OK

```
14 ATT. SW IN02
waiting
```

表示のようになるので、2.SNARE に入れます。順に繰り返し、6.RIDE まで動作確認を行います。

(チェック項目)

LCD のテスト結果を確認します。

(判定結果の表示)

OK

```
13 ATT. SW IN01
OK
```

NG

```
13 ATT. SW IN01
FAIL
```

(FAIL 判定内容)

次に進まなくなります。

(テストの終了方法)

OK: 自動的に次のテストに進みます。

NG: FAIL と判断した場合の処理方法は、”D. テストの進め方”を参照してください。

T-19. TRIGGER SW IN 1  
 T-20. TRIGGER SW IN 2  
 T-21. TRIGGER SW IN 3  
 T-22. TRIGGER SW IN 4  
 T-23. TRIGGER SW IN 5  
 T-24. TRIGGER SW IN 6  
 T-25. TRIGGER SW IN 7  
 T-26. TRIGGER SW IN 8  
 T-27. TRIGGER SW IN 9  
 T-28. TRIGGER SW IN 10

(最初の表示)

```
19 TRIGGER IN01
waiting too Lo
```

(テスト内容)

1.KICK ~ 9/10 の入力に PHONES からループさせた信号を加え、入力された信号が正しいゲインで CPU に入力されることを確認します。さらに、他の入力に信号の漏れがないか確認します。

\* head phone からの出力波形は、周波数 4 kHz、レベルは 1.25 Vpp(+1.25 V ~ -1.25 V)の正弦波です。

(テスト方法)

アッテネータスイッチをすべて、L 側に切り替えます。

MASTER VR を最大にします。

1.KICK から順番に PHONES からループさせたステレオケーブルを差し込みます。

OK

```
19 TRIGGER IN02
waiting too Lo
```

表示のようになるので、2.SNARE に入れます。順に繰り返し、9/10 まで動作確認を行います。

(チェック項目)

LCD のテスト結果を確認します。

(判定結果の表示)

OK

```
19 TRIGGER IN01
OK
```

NG

```
19 TRIGGER IN01
FAIL XXXXX
```

XXXXX は too High, too Lo, XtalkIN2, BAD CR など

(FAIL 判定内容)

次に進まなくなります。

(テストの終了方法)

OK: 自動的に次のテストに進みます。

NG: FAIL と判断した場合の処理方法は、”D. テストの進め方”を参照してください。

T-29. RIM SW IN 1  
 T-30. RIM SW IN 2  
 T-31. RIM SW L IN 2  
 T-32. RIM SW IN 3  
 T-33. RIM SW IN 4  
 T-34. RIM SW IN 5  
 T-35. RIM SW IN 6  
 T-36. RIM SW L IN 6  
 T-37. RIM SW IN 7  
 T-38. RIM SW L IN 7  
 T-39. RIM SW IN 8

(最初の表示)

```
29 RIM SW  IN01
waiting
```

(テスト内容)

1.KICK ~ 8.H.HATまでの8箇所への入力に、RIMスイッチ付きパッド (TP-65S 等) をつなぎ、正常に作動するかを確認します。IN2, IN6, IN7 では、3ゾーンリムスイッチも検査します。

(テスト方法)

各入力ジャックに INPUT1 ~ 8 の順で、3ゾーン RIM スイッチ付パッド (TP-65S 等) つなぎ、RIM スイッチを押します。(RIM スイッチ付近をつまんでも動作します。)

```
29 RIM SW  IN01
waiting
```

OK

```
30 RIM SW  IN02
waiting
```

表示のようになるので、2.SNARE に入れます。順に繰り返し、8.H.HAT まで動作確認を行います。

\*「L」と表示されたら、3ゾーン側のスイッチを押します。(RIM スイッチ L 付近をつまんでも動作します。)

(チェック項目)

LCD のテスト結果を確認します。

(判定結果の表示)

OK

```
29 RIM SW  IN01
OK
```

NG

```
29 RIM SW  IN01
FAIL
```

(FAIL 判定内容)

次に進まなくなります。

(テストの終了方法)

OK : 自動的に次のテストに進みます。

NG : FAIL と判断した場合の処理方法は、「D. テストの進め方」を参照してください。

T-40. HOST SELECT SW

(最初の表示)

```
40 HOST SELECT
[XXXXXX]
```

XXXXXX の内容 MAC, PC-1, PC-2, MIDI

(テスト内容)

HOST SELECT スイッチが正常に作動することを確認します。

(テスト方法)

HOST SELECT スイッチを表示にしたがい切り替えます。

(チェック項目)

LCD のテスト結果を確認します。

(判定結果の表示)

OK

```
40 HOST SELECT
OK
```

NG

```
40 HOST SELECT
FAIL
```

(FAIL 判定内容)

なし

(テストの終了方法)

OK : 自動的に次のテストに進みます。

NG : FAIL と判断した場合の処理方法は、「D. テストの進め方」を参照してください。

T-41. H.H. CONT.

(最初の表示)

```
41 H.H. CONT.
99
```

(テスト内容)

ハイハットコントローラ (HH65 等) によるコントロールが正常に作動することを確認します。

(テスト方法)

H.H CONT のジャックにハイハットコントローラのプラグを差し込み上限、下限まで上下させます。(順番はどちらでもよい)

(チェック項目)

LCD のテスト結果を確認します。

(判定結果の表示)

OK

```
41 H.H. CONT
OK
```

NG

なし

( FAIL 判定内容 )

コントローラを操作しても次に進まなく  
まります。

( テストの終了方法 )

OK : 自動的に次のテストに進みます。

T-42. OUTPUT L 1kHz

( 最初の表示 )

42 OUTPUT L 1kHz

( テスト内容 )

OUTPUT(L/MONO)より正常な信号が出力されていることを  
確認します。

( テスト方法 )

OUTPUT(L/MONO, R)共に標準フォンプラグを差し込み、  
各出力の周波数、出力波形出力レベルを測定します。  
MASTER VOL., AUX IN ボリュームは MAX とします。  
AUX IN には、プラグが差し込まれていないか、入力電圧が  
-90 dBm 以下であることを確認します。

( チェック項目 )

OUTPUT(L/MONO):

1 kHz  $\pm$  3 kHz, SIN 波,  $-2.6 \pm 2$  dBm  
(負荷 10 K $\Omega$ ), 歪率 0.5% 以下

OUTPUT(R)のプラグを抜いたとき

OUTPUT(L/MONO):

1 kHz  $\pm$  3 kHz, SIN 波,  $-8.5 \pm 2$  dBm  
(負荷 10 K $\Omega$ ), 歪率 0.5% 以下

( 判定結果の表示 )

なし

( FAIL 判定内容 )

なし

( テストの終了方法 )

OK : [SAVE/ENT]を押し次のテストに進みます。

T-43. OUTPUT R 1kHz

( 最初の表示 )

43 OUTPUT R 1kHz

( テスト内容 )

OUTPUT(R)より正常な信号が出力されていることを確認し  
ます。

( テスト方法 )

OUTPUT(L/MONO, R)共に標準フォンプラグを差し込み、  
各出力の周波数、出力波形出力レベルを観測測定します。  
MASTER VOL., AUX IN ボリュームは MAX とします。  
AUX IN には、プラグが差し込まれてないか、入力電圧が  
-90 dBm 以下であることを確認します。

( チェック項目 )

OUTPUT(R):

1 kHz  $\pm$  3 kHz, SIN 波,  $-2.6 \pm 2$  dBm  
(負荷 10 K $\Omega$ ), 歪率 0.5% 以下

( 判定結果の表示 )

なし

( FAIL 判定内容 )

なし

( テストの終了方法 )

OK : [SAVE/ENT]を押し次のテストに進みます。

T-44. AUX INPUT

( 最初の表示 )

44 AUX INPUT

( テスト内容 )

AUX IN から入った信号が、PHONES から正常な信号として  
出力されていることを確認します。

( テスト方法 )

AUX IN(L)にサイン波を入力し、PHONES(L, R)に標準ステ  
レオフォンプラグを差し込み、各出力の周波数、出力波形  
レベルを測定します。

( チェック項目 )

AUX IN(L)に -20 dBm, 1 kHz のサイン波を入力

( AUX IN(R)はグラウンドに接続 )

AUX IN ボリューム、マスターボリュームは MAX

PHONES(L):

$5.7 \pm 2$  dBm(負荷 33  $\Omega$ ), 歪率 0.5% 以下

AUX IN(R)に -20 dBm, 1 kHz のサイン波を順次入力

( AUX IN(L)はグラウンドに接続 )

AUX IN ボリュームは MAX

PHONES(R):

$5.7 \pm 2$  dBm(負荷 33  $\Omega$ ), 歪率 0.5% 以下

( 判定結果の表示 )

なし

( FAIL 判定内容 )

なし

( テストの終了方法 )

OK : [SAVE/ENT]を押し次のテストに進みます。

T-45. 32ch OUT

( 最初の表示 )

45 32 ch OUT

(テスト内容)

OUTPUT(L/MONO)より1～16ch発音、OUTPUT(R)より17～32ch発音をして、32chの発音チャンネルが正常に発音されていることを確認します。

(テスト方法)

[SAVE/ENT]を押すと、LCDに以下のように表示が行われ、発音、約0.3秒、無音、約0.1秒を16回繰り返します。  
MASTER VOL.は、MAXとします。

```
45 32 ch OUT
Lch=XX Rch=XX
```

XX: 現在発音しているチャンネル番号

(チェック項目)

聴感により、32音が正常に発音されていることを確認します。

(判定結果の表示)

なし

(FAIL判定内容)

なし

(テストの終了方法)

OK: [SAVE/ENT]を押し次のテストに進みます。

#### T-46. FACTORY SET

(最初の表示)

```
46 FACTORY SET
```

(テスト内容)

工場出荷データにセットします。

(テスト方法)

[SAVE/ENT]を押すと、ファクトリーセットされ、自動的に次のテストに進みます。

(チェック項目)

なし

(判定結果の表示)

なし

(FAIL判定内容)

なし

(テストの終了方法)

なし

#### T-47. EXIT

(最初の表示)

```
47 EXIT
```

(テスト内容)

テストモードから抜けて、プレイモードになります。

(テスト方法)

[SAVE/ENT]を押すと、テストモードから抜けます。

(チェック項目)

なし

(判定結果の表示)

なし

(FAIL判定内容)

なし

(テストの終了方法)

なし

(その他)

テストモードを抜けると、通常、電源立ち上げと同じシーケンスを行います。したがって、実際のプレイ状態になるまで数秒の時間がかかります。

## ■ ERROR MESSAGES

An Error Message will appear when incorrect settings or operation are detected, or abnormal operation occurs. Check the Error Message below and make the appropriate corrections.

```
ERROR
Data Initialized
```

This message appears just after the power is switched on and the device can not correctly read the data. The cause of the problem may be that the backup RAM data has been damaged or the backup battery power is low.

```
WARNING
Battery Low
```

The internal memory backup battery power is too low. User data may be deleted.

```
ERROR
MIDI Buffer full
```

Too much MIDI data is being received at one time and the device could not manage the data. Reduce the amount of data being sent at one time and try again.

```
ERROR
HOST is OffLine
```

The computer connected to the device is either turned off or not correctly connected. Check cable connections and the power and try again.

```
ERROR
Check Sum Error
```

The check sum for the data received is incorrect. Check the check sum of the data being transmitted.

```
ERROR
Illegal Data
```

An error occurred while data was being received. There may be abnormalities in the data being sent. Check the data being transmitted.

```
CAN'T EDIT
PRESET SONG
```

This message is displayed when you try to edit preset song. Preset song cannot be edited.

```
ERROR
SEQ is Running
```

The operation can't be performed while the sequencer is running. Stop the sequencer and try again.

```
ERROR
Data not Empty
```

This message appears if you try to record to a track containing data. Select an empty track and try recording again.

```
ERROR
Memory Full
```

You have exceeded the memory capacity of the user song. Delete unwanted songs to make more memory available and try recording again. At this time, use the bulk dump function to move any songs you wish to keep to an external MIDI device.

## ■ エラーメッセージ

設定や操作が正しくない場合や、動作において異常が発生した場合、ディスプレイにエラーメッセージが表示されます。エラーメッセージの内容を確認し、正しく設定・操作するなど、対処してください。

```
ERROR
Data Initialized
```

電源ON時、正常に情報を読み込めなかったため、ファクトリーセットを行いました。バックアップRAMのデータが破損しているか、バックアップ電池の電圧が低い可能性があります。

```
WARNING
Battery Low
```

本体内のバックアップ電池の電圧が下がっています。ユーザーデータが失われる可能性があります。

```
ERROR
MIDI Buffer full
```

一度に大量のMIDIデータを受信したため、処理しきれませんでした。一度に送るデータの量を減らしてから送信してください。

```
ERROR
HOST is OffLine
```

本体に接続されているコンピュータの電源が切れているか、ケーブルが正しく接続されていません。ケーブルが正しく接続されているか確認して、もう一度電源を入れ直してください。

```
ERROR
Check Sum Error
```

受信したデータのチェックサムが違います。送信したチェックサムを確認してください。

```
ERROR
Illegal Data
```

データ受信中にエラーが発生しました。データ内に異常なデータが含まれている可能性があります。送信したデータを確認してください。

```
CAN'T EDIT
PRESET SONG
```

プリセットソングを変更しようとした際に表示されます。プリセットソングは変更できません。

```
ERROR
SEQ is Running
```

シーケンサー再生中に受け付けられない操作をしようとした際に表示されます。シーケンサーを停止してから、操作を行ってください。

```
ERROR
Data not Empty
```

すでにデータのあるトラックに録音しようとした際に表示されます。空のトラックを選んで録音してください。

```
ERROR
Memory Full
```

ユーザーソングのメモリーの容量が足りません。不要なユーザーソングは削除してメモリー内に空きを作ってから録音してください。その際、必要なソングはバルクダンプにより外部のMIDI機器に移しておいてください。

YAMAHA [ Drum Trigger Module ]

Date:11-Mar-2002

Model DTXPRESS II MIDI Implementation Chart

Version : 1.0

Function ...	Transmitted	Recognized	Remarks
Basic Default Channel Changed	1 - 16 1 - 16	1 - 16 1 - 16	memorized
Mode Default Messages Altered	x x *****	3 3 x	
Note Number : True voice	0 - 127 0 - 127	0 - 127 0 - 127	
Velocity Note ON Note OFF	o 9nH, v=1-127 x 9nH, v=0	o v=1-127 x	
After Key's Touch Ch's	x x	x x	
Pitch Bender	x	o	7 bit resolution
Control Change	0,4,7,10,32 1,6,11,64 71,72,73 74,84,91 100,101 o x x x x	o o o o o	
Prog Change : True #	o 0 - 127 *****	o 0 - 127	
System Exclusive	o	o	
System : Song Pos. : Song Sel. Common : Tune	x x x	x o x	
System :Clock Real Time :Commands	o o	o o	
Aux :All Sound Off :Reset All Cntrls :Local ON/OFF :All Notes OFF Mes- :Active Sense sages:Reset	x x o x o x	o o o o(123-127) o x	

Mode 1 : OMNI ON, POLY  
Mode 3 : OMNI OFF, POLY

Mode 2 : OMNI ON, MONO  
Mode 4 : OMNI OFF, MONO

o : Yes  
x : No

# ***DTXPRESS II***

## **DRUM TRIGGER MODULE** **DTXP2**

# **PARTS LIST**

### ■ CONTENTS (目次)

OVERALL ASSEMBLY (総組立).....	2
FRONT PANEL UNIT (フロントパネルユニット).....	4
ELECTRICAL PARTS (電気部品).....	5

### Notes: DESTINATION ABBREVIATIONS

A: Australian model	J: Japanese model
B: British model	U: U.S.A. model
C: Canadian model	V: General export model (110V)
E: European model	W: General export model (220V)
H: North European model	X: General export model
I: Indonesian model	Y: Export model

- The numbers in "QTY" show quantities for each unit.
- The parts with "--" in "Parts No." are not available as spare parts.
- The mark "}" in the remarks column indicates that these parts are interchangeable.
- 部品価格ランクは、変更になることがあります。
- QTY 欄に記されている数字は、使用個数です。
- PART NO. が "--" の部品は、サービス用部品として準備されておりません。
- REMARKS 欄の "}" 部品は、併用部品です。

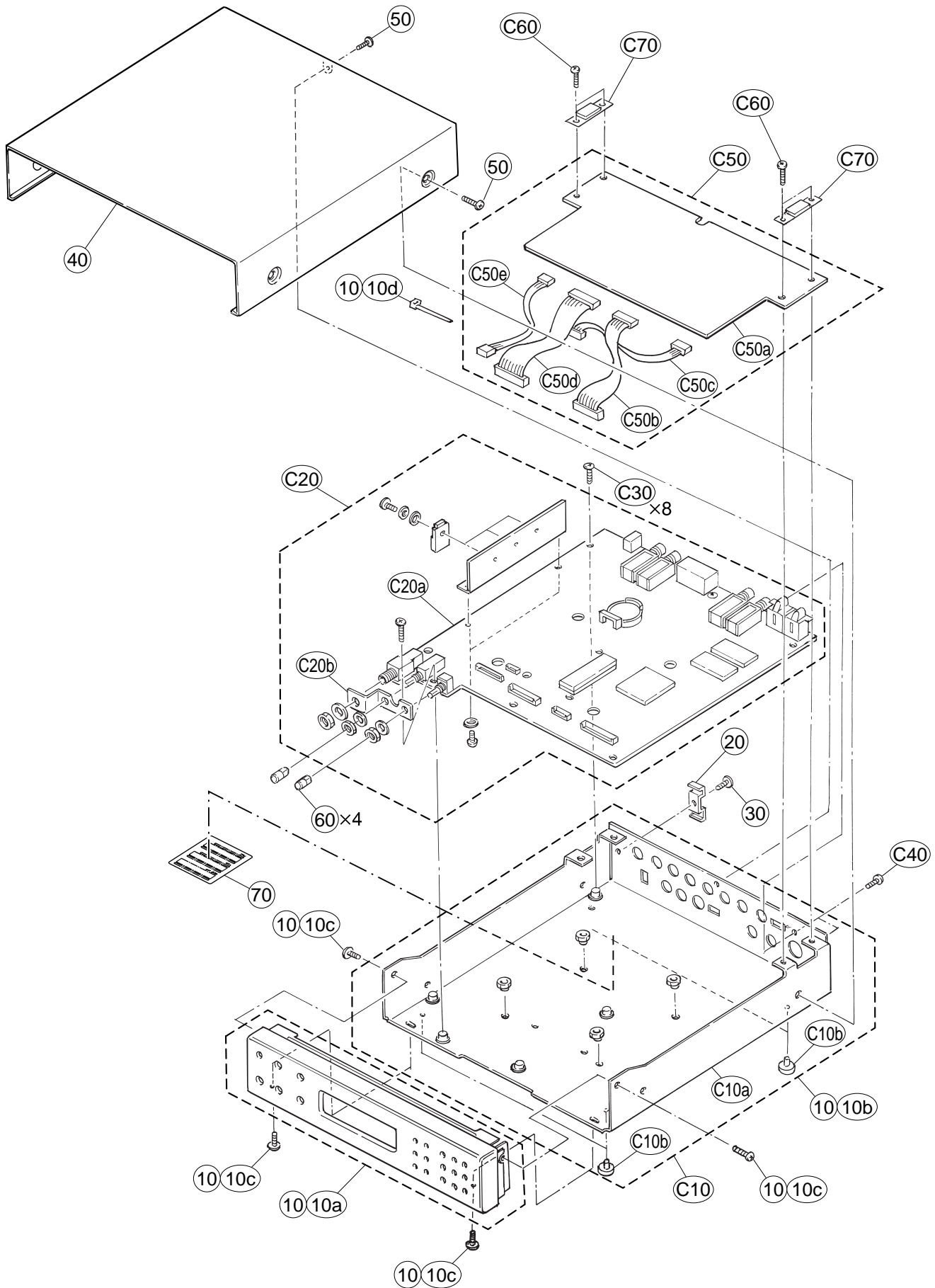
### ■ WARNING (安全上の注意)




Components having special characteristics are marked  $\triangle$  and must be replaced with parts having specification equal to those originally installed.

$\triangle$  印の部品は、安全を維持するために重要な部品です。交換をする場合は、安全のため必ず指定の部品をご使用下さい。



# ■ OEVRALL ASSEMBLY (総組立)

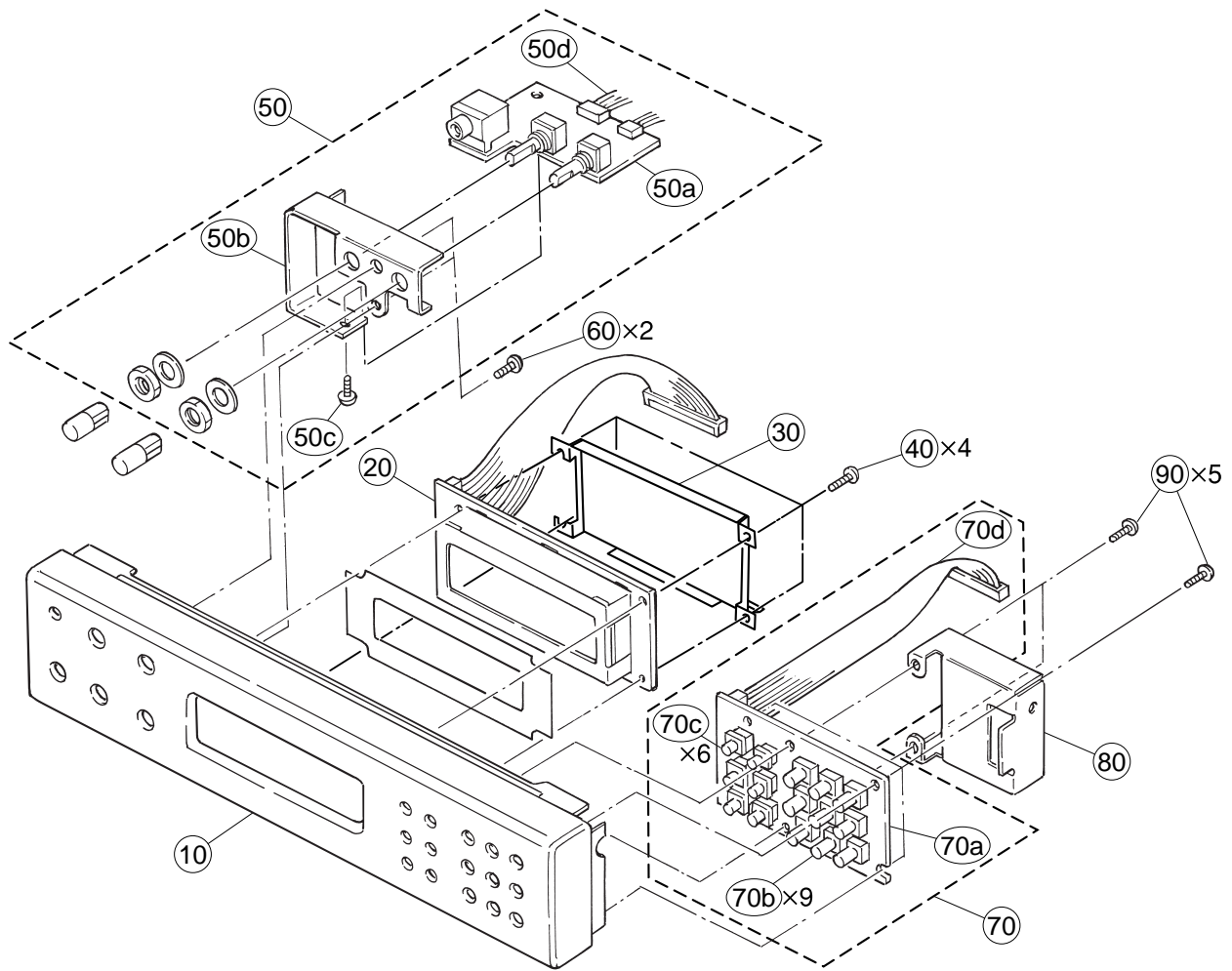


REF NO.	PART NO.	DESCRIPTION	部 品 名	REMARKS	QTY	RANK
		OVERALL ASSEMBLY		総 組 立		
	--	Overall Assembly		総組立DTXPRESS2	DTXPRESS II	
10	--	Sub-Assembly		サブアッセンブリDTXP2	(V930960)	
10a	--	Front Panel Unit		フロントパネルユニット	(V930930)	
10b	--	Chassis Unit		シャーシユニット	(V930910)	
10c	<b>EP600230</b>	Bind Head Tapping Screw-B	3.0X6 MFZN2BL	+バインドBタイト	(V930920)	4 01
10d	<b>CB069250</b>	Cord Holder	BK-1	インシュロックタイ		3 01
20	<b>VC407100</b>	Cord Column		DCコードコラム		02
30	<b>EP600190</b>	Bind Head Tapping Screw-B	3.0X8 MFZN2BL	+バインドBタイト		01
* 40	<b>V9309500</b>	Top Cover Sub-Assembly		トップカバーサブアッセンブリ		
50	<b>EP600230</b>	Bind Head Tapping Screw-B	3.0X6 MFZN2BL	+バインドBタイト		5 01
60	<b>VM825600</b>	Input Knob	TG100	インボットツマミ		4 03
70	--	Label		バーコードラベル	(V930770)	
		Chassis Unit		シャーシユニット	(V930920)	
C10	--	Chassis Assembly		シャーシアッセンブリ	(V930900)	
* C10a	<b>V9307400</b>	Chassis		シャーシ印刷品DTXP2		
C10b	<b>V3713700</b>	Foot Assembly	2K25	脚ゴムアッセンブリ		4 03
C20	--	Circuit Board Assembly	DM	DMシートアッセンブリ	(V930870)	
* C20a	<b>V9096700</b>	Circuit Board	DM	DMシート	(X2847B0)	
C20b	--	VR Stay		VRステー	(V360550)	
C30	<b>EP600230</b>	Bind Head Tapping Screw-B	3.0X6 MFZN2BL	+バインドBタイト		8 01
C40	<b>EP600190</b>	Bind Head Tapping Screw-B	3.0X8 MFZN2BL	+バインドBタイト		2 01
C50	--	Circuit Board Assembly	JK	JKシートアッセンブリ	(V930890)	
* C50a	<b>V9097000</b>	Circuit Board	JK	JKシート	(X2848B0)	
C50b	--	Connector Assembly	PH-PH 8P 160L	線材アッセンブリ	(V361010)	
C50c	--	Connector Assembly	PH-PH 5P 130L	線材アッセンブリ	(V361030)	
C50d	--	Connector Assembly	PH-PH 12P 120L	線材アッセンブリ	(WA03820)	
C50e	--	Connector Assembly	PH-PH 3P 120L	線材アッセンブリ	(V361000)	
C60	<b>EP600230</b>	Bind Head Tapping Screw-B	3.0X6 MFZN2BL	+バインドBタイト		4 01
C70	<b>V3814600</b>	Shield Terminal Assembly		シールドタンシアッセンブリ		2 04
		ACCESSORIES		付 属 品		
* 	<b>V8028600</b>	AC Adapter	PA-3C J	ACアダプタ	J	
* 	<b>V8028700</b>	AC Adapter	PA-3C U	ACアダプタ	UC	
* 	<b>V8028800</b>	AC Adapter	PA-3C E	ACアダプタ	H	

\*: New parts

RANK: Japan only

# FRONT PANEL UNIT (フロントパネルユニット)



REF NO.	PART NO.	DESCRIPTION	部 品 名	REMARKS	QTY	RANK
	--	FRONT PANEL UNIT	フロントパネルユニット	DTXPRESS		
*	10	V9308400	Front Panel Unit	フロントパネルユニット	(V930910)	
	20	V3610800	Front Panel Assembly	フロントパネルA s s ' y		16
	30	V3605000	Circuit Board Assembly	L C D シ ー ト A s s ' y		05
	40	EP620100	Cover	L C D カ ー ー ( G N D )		01
	50	--	Bind Head Tapping Screw-P	+ バ イ ン ド P タ イ ト		4
*	50a	V9097200	Circuit Board Assembly	A U X シ ー ト A s s ' y	(V930850)	
*	50b	V3605100	Circuit Board	A U X シ ー ト	(X2848B0)	
*	50c	EP600230	AUX Stay	A U X ス テ ー		01
*	50d	V3610500	Bind Head Tapping Screw-B	+ バ イ ン ド B タ イ ト		01
	60	EP620100	Connector Assembly	線 材 A s s ' y		2
	70	--	Bind Head Tapping Screw-P	+ バ イ ン ド P タ イ ト		01
*	70a	V9097100	Circuit Board	P N シ ー ト A s s ' y	(V930860)	
	70b	VM825800	Circuit Board Assembly	P N シ ー ト	(X2848B0)	
	70c	VM825700	OP Button	O P ボ タ ン	REC ▶/■, SAVE/ENT, SHIFT, MUTE ▲PAGE, ◀SEL, -VALUE, TEMPO ▼PAGE, ▶SEL GRV, +VALUE	9
	70d	V3610200	Mode Button	モ ー ド ボ タ ン	DRUMKIT, SONG EDIT, TRIG EDIT, VOICE, UTIL, CLICK	6
*	80	V3605200	Connector Assembly	線 材 A s s ' y		05
	90	EP620100	Panel Stay	パ ー ネ ル ス テ ー		01
	90	EP620100	Bind Head Tapping Screw-P	+ バ イ ン ド P タ イ ト		5

\*: New parts

RANK: Japan only

■ ELECTRICAL PARTS (電気部品)

REF NO.	PART NO.	DESCRIPTION	部 品 名	REMARKS	QTY	RANK
		ELECTRICAL PARTS		DTXPRESS II		
*	V9096700	Circuit Board	DM	D M シ ー ト	(X2847B0)	
*	V9097200	Circuit Board	AUX	A U X シ ー ト	(X2848B0)	
*	V9097000	Circuit Board	JK	J K シ ー ト	(X2848B0)	
*	V9097100	Circuit Board	PN	P N シ ー ト	(X2848B0)	
	V9096700	Circuit Board Assembly	DM	D M シ ー ト	(X2847B0)	
	V3605300	GND Terminal	A	G N D タ ン シ ( A )		04
	V3605600	Heat Sink		放 熱 板		
	EK400500	Pan Head Screw	SP 3.0X8 MFZN2Y	+ ナ ベ 小 ネ ジ		01
	X3023100	IC	16M	イ ン テ ー ジ	MASKROM 16M V1.00	
	VS246400	Lithium Battery	CR2450	リ チ ウ ム 電 池		03
	VS246300	Battery Holder	CR2450BH	バ ッ テ リ ー ホ ル ダ ー		03
BT001	VB390400	Connector Base Post	PH- 8P TE	コ ネ ク タ ベ ー ス ポ ス ト		01
CN001	VB390800	Connector Base Post	PH-12P TE	コ ネ ク タ ベ ー ス ポ ス ト		01
CN002	VF283300	Connector Base Post	PH-15P TE	コ ネ ク タ ベ ー ス ポ ス ト		01
CN003	VF283400	Connector Base Post	PH-16P TE	コ ネ ク タ ベ ー ス ポ ス ト		01
CN004	VB390100	Connector Base Post	PH- 5P TE	コ ネ ク タ ベ ー ス ポ ス ト		01
CN101	VB390200	Connector Base Post	PH- 6P TE	コ ネ ク タ ベ ー ス ポ ス ト		01
CN102	UB245100	Monolithic Ceramic Cap.	F 0.100 25V Z	チ ッ プ 積 層 セ ラ コ ン		01
C0001	UB245100	Monolithic Ceramic Cap.	F 0.100 25V Z	チ ッ プ 積 層 セ ラ コ ン		01
C0002	UB245100	Monolithic Ceramic Cap.	F 0.100 25V Z	チ ッ プ 積 層 セ ラ コ ン		01
C0003	UB245100	Monolithic Ceramic Cap.	F 0.100 25V Z	チ ッ プ 積 層 セ ラ コ ン		01
C0005	UB052100	Monolithic Ceramic Cap.	SL 100P 50V J	チ ッ プ 積 層 セ ラ コ ン		01
C0006	UB245100	Monolithic Ceramic Cap.	F 0.100 25V Z	チ ッ プ 積 層 セ ラ コ ン		01
C0008	UB245100	Monolithic Ceramic Cap.	F 0.100 25V Z	チ ッ プ 積 層 セ ラ コ ン		01
-0011	UB245100	Monolithic Ceramic Cap.	F 0.100 25V Z	チ ッ プ 積 層 セ ラ コ ン		01
C0012	UR837470	Electrolytic Cap.	47.00 16.0V	ケ ミ コ ン		01
C0013	UB245100	Monolithic Ceramic Cap.	F 0.100 25V Z	チ ッ プ 積 層 セ ラ コ ン		01
C0014	FP736470	Tantalum Cap.	4.70 16V M	タ ン タ ル コ ン		01
C0015	UB245100	Monolithic Ceramic Cap.	F 0.100 25V Z	チ ッ プ 積 層 セ ラ コ ン		01
C0016	UR837100	Electrolytic Cap.	10.00 16.0V	ケ ミ コ ン		01
C0017	UR837100	Electrolytic Cap.	10.00 16.0V	ケ ミ コ ン		01
C0018	UB245100	Monolithic Ceramic Cap.	F 0.100 25V Z	チ ッ プ 積 層 セ ラ コ ン		01
C0019	UR837100	Electrolytic Cap.	10.00 16.0V	ケ ミ コ ン		01
C0020	UB245100	Monolithic Ceramic Cap.	F 0.100 25V Z	チ ッ プ 積 層 セ ラ コ ン		01
-0022	UB245100	Monolithic Ceramic Cap.	F 0.100 25V Z	チ ッ プ 積 層 セ ラ コ ン		01
C0023	UR837100	Electrolytic Cap.	10.00 16.0V	ケ ミ コ ン		01
C0024	UB245100	Monolithic Ceramic Cap.	F 0.100 25V Z	チ ッ プ 積 層 セ ラ コ ン		01
C0025	UR837470	Electrolytic Cap.	47.00 16.0V	ケ ミ コ ン		01
C0026	UR837470	Electrolytic Cap.	47.00 16.0V	ケ ミ コ ン		01
C0027	UR837470	Electrolytic Cap.	47.00 16.0V	ケ ミ コ ン		01
C0028	UR837100	Electrolytic Cap.	10.00 16.0V	ケ ミ コ ン		01
C0029	UB245100	Monolithic Ceramic Cap.	F 0.100 25V Z	チ ッ プ 積 層 セ ラ コ ン		01
C0030	UB052220	Monolithic Ceramic Cap.	SL 220P 50V J	チ ッ プ 積 層 セ ラ コ ン		01
C0031	UB245100	Monolithic Ceramic Cap.	F 0.100 25V Z	チ ッ プ 積 層 セ ラ コ ン		01
C0032	UR837100	Electrolytic Cap.	10.00 16.0V	ケ ミ コ ン		01
C0034	UB051220	Monolithic Ceramic Cap.	SL 22P 50V J	チ ッ プ 積 層 セ ラ コ ン		01
C0035	UB051220	Monolithic Ceramic Cap.	SL 22P 50V J	チ ッ プ 積 層 セ ラ コ ン		01
C0036	UR837100	Electrolytic Cap.	10.00 16.0V	ケ ミ コ ン		01
C0037	UB245100	Monolithic Ceramic Cap.	F 0.100 25V Z	チ ッ プ 積 層 セ ラ コ ン		01
C0038	UB245100	Monolithic Ceramic Cap.	F 0.100 25V Z	チ ッ プ 積 層 セ ラ コ ン		01
C0040	UR837100	Electrolytic Cap.	10.00 16.0V	ケ ミ コ ン		01
C0041	UB245100	Monolithic Ceramic Cap.	F 0.100 25V Z	チ ッ プ 積 層 セ ラ コ ン		01
-0043	UB245100	Monolithic Ceramic Cap.	F 0.100 25V Z	チ ッ プ 積 層 セ ラ コ ン		01
C0044	UR837100	Electrolytic Cap.	10.00 16.0V	ケ ミ コ ン		01
C0045	UB044100	Monolithic Ceramic Cap.	F 0.010 50V Z	チ ッ プ 積 層 セ ラ コ ン		01
C0046	UR837100	Electrolytic Cap.	10.00 16.0V	ケ ミ コ ン		01
C0047	UB245100	Monolithic Ceramic Cap.	F 0.100 25V Z	チ ッ プ 積 層 セ ラ コ ン		01
C0048	UB044100	Monolithic Ceramic Cap.	F 0.010 50V Z	チ ッ プ 積 層 セ ラ コ ン		01
C0049	UB044100	Monolithic Ceramic Cap.	F 0.010 50V Z	チ ッ プ 積 層 セ ラ コ ン		01
C0050	UR837100	Electrolytic Cap.	10.00 16.0V	ケ ミ コ ン		01
C0051	UB245100	Monolithic Ceramic Cap.	F 0.100 25V Z	チ ッ プ 積 層 セ ラ コ ン		01
C0052	UB052100	Monolithic Ceramic Cap.	SL 100P 50V J	チ ッ プ 積 層 セ ラ コ ン		01
C0101	UB245100	Monolithic Ceramic Cap.	F 0.100 25V Z	チ ッ プ 積 層 セ ラ コ ン		01
C0102	UB013100	Monolithic Ceramic Cap.	B 1000P 50V K	チ ッ プ 積 層 セ ラ コ ン		01
C0103	UB013100	Monolithic Ceramic Cap.	B 1000P 50V K	チ ッ プ 積 層 セ ラ コ ン		01
C0104	UB044100	Monolithic Ceramic Cap.	F 0.010 50V Z	チ ッ プ 積 層 セ ラ コ ン		01
C0105	UB044100	Monolithic Ceramic Cap.	F 0.010 50V Z	チ ッ プ 積 層 セ ラ コ ン		01
C0106	UB245100	Monolithic Ceramic Cap.	F 0.100 25V Z	チ ッ プ 積 層 セ ラ コ ン		01
C0107	UR837100	Electrolytic Cap.	10.00 16.0V	ケ ミ コ ン		01
C0108	UB245100	Monolithic Ceramic Cap.	F 0.100 25V Z	チ ッ プ 積 層 セ ラ コ ン		01
-0110	UB245100	Monolithic Ceramic Cap.	F 0.100 25V Z	チ ッ プ 積 層 セ ラ コ ン		01
C0111	UR849100	Electrolytic Cap.	1000 25.0V	ケ ミ コ ン		01
C0112	UB245100	Monolithic Ceramic Cap.	F 0.100 25V Z	チ ッ プ 積 層 セ ラ コ ン		01
C0113	UR837220	Electrolytic Cap.	22.00 16.0V	ケ ミ コ ン		01

\*: New parts

RANK: Japan only

REF NO.	PART NO.	DESCRIPTION	部 品 名	REMARKS	QTY	RANK
C0114	UR866100	Electrolytic Cap.	1.00 50.0V	ケ ミ コ ン		01
C0115	UR866100	Electrolytic Cap.	1.00 50.0V	ケ ミ コ ン		01
C0116	UB013680	Monolithic Ceramic Cap.	B 6800P 50V K	チ ッ プ 積 層 セ ラ コ ン		01
C0117	UB013680	Monolithic Ceramic Cap.	B 6800P 50V K	チ ッ プ 積 層 セ ラ コ ン		01
C0118	UR847100	Electrolytic Cap.	10.00 25.0V	ケ ミ コ ン		01
C0119	UB245100	Monolithic Ceramic Cap.	F 0.100 25V Z	チ ッ プ 積 層 セ ラ コ ン		01
C0120	UB245100	Monolithic Ceramic Cap.	F 0.100 25V Z	チ ッ プ 積 層 セ ラ コ ン		01
C0121	UB052120	Monolithic Ceramic Cap.	SL 120P 50V J	チ ッ プ 積 層 セ ラ コ ン		01
C0122	UB052120	Monolithic Ceramic Cap.	SL 120P 50V J	チ ッ プ 積 層 セ ラ コ ン		01
C0123	UB245100	Monolithic Ceramic Cap.	F 0.100 25V Z	チ ッ プ 積 層 セ ラ コ ン		01
C0124	UB013680	Monolithic Ceramic Cap.	B 6800P 50V K	チ ッ プ 積 層 セ ラ コ ン		01
C0125	UB013680	Monolithic Ceramic Cap.	B 6800P 50V K	チ ッ プ 積 層 セ ラ コ ン		01
C0126	UB245100	Monolithic Ceramic Cap.	F 0.100 25V Z	チ ッ プ 積 層 セ ラ コ ン		01
C0127	UR838100	Electrolytic Cap.	100.00 16.0V	ケ ミ コ ン		01
-0130	UR838100	Electrolytic Cap.	100.00 16.0V	ケ ミ コ ン		01
C0133	UB245100	Monolithic Ceramic Cap.	F 0.100 25V Z	チ ッ プ 積 層 セ ラ コ ン		01
C0136	UR837100	Electrolytic Cap.	10.00 16.0V	ケ ミ コ ン		01
C0137	UR837100	Electrolytic Cap.	10.00 16.0V	ケ ミ コ ン		01
C0138	UB245100	Monolithic Ceramic Cap.	F 0.100 25V Z	チ ッ プ 積 層 セ ラ コ ン		01
C0139	UB245100	Monolithic Ceramic Cap.	F 0.100 25V Z	チ ッ プ 積 層 セ ラ コ ン		01
C0141	UB245100	Monolithic Ceramic Cap.	F 0.100 25V Z	チ ッ プ 積 層 セ ラ コ ン		01
-0143	UB245100	Monolithic Ceramic Cap.	F 0.100 25V Z	チ ッ プ 積 層 セ ラ コ ン		01
C0144	UR837100	Electrolytic Cap.	10.00 16.0V	ケ ミ コ ン		01
-0147	UR837100	Electrolytic Cap.	10.00 16.0V	ケ ミ コ ン		01
C0148	UB052220	Monolithic Ceramic Cap.	SL 220P 50V J	チ ッ プ 積 層 セ ラ コ ン		01
C0149	UB052220	Monolithic Ceramic Cap.	SL 220P 50V J	チ ッ プ 積 層 セ ラ コ ン		01
C0150	UR837100	Electrolytic Cap.	10.00 16.0V	ケ ミ コ ン		01
-0153	UR837100	Electrolytic Cap.	10.00 16.0V	ケ ミ コ ン		01
C0154	UB052220	Monolithic Ceramic Cap.	SL 220P 50V J	チ ッ プ 積 層 セ ラ コ ン		01
-0157	UB052220	Monolithic Ceramic Cap.	SL 220P 50V J	チ ッ プ 積 層 セ ラ コ ン		01
C0158	UR838100	Electrolytic Cap.	100.00 16.0V	ケ ミ コ ン		01
C0159	UR837470	Electrolytic Cap.	47.00 16.0V	ケ ミ コ ン		01
C0160	UR837470	Electrolytic Cap.	47.00 16.0V	ケ ミ コ ン		01
C0161	UR837220	Electrolytic Cap.	22.00 16.0V	ケ ミ コ ン		01
C0162	UR837220	Electrolytic Cap.	22.00 16.0V	ケ ミ コ ン		01
C0163	UR837100	Electrolytic Cap.	10.00 16.0V	ケ ミ コ ン		01
C0164	UR837100	Electrolytic Cap.	10.00 16.0V	ケ ミ コ ン		01
C0165	UB245100	Monolithic Ceramic Cap.	F 0.100 25V Z	チ ッ プ 積 層 セ ラ コ ン		01
C0166	UB245100	Monolithic Ceramic Cap.	F 0.100 25V Z	チ ッ プ 積 層 セ ラ コ ン		01
C0167	UR837100	Electrolytic Cap.	10.00 16.0V	ケ ミ コ ン		01
C0168	UB013100	Monolithic Ceramic Cap.	B 1000P 50V K	チ ッ プ 積 層 セ ラ コ ン		01
C0169	UB013100	Monolithic Ceramic Cap.	B 1000P 50V K	チ ッ プ 積 層 セ ラ コ ン		01
C0170	UB051220	Monolithic Ceramic Cap.	SL 22P 50V J	チ ッ プ 積 層 セ ラ コ ン		01
C0171	UB051220	Monolithic Ceramic Cap.	SL 22P 50V J	チ ッ プ 積 層 セ ラ コ ン		01
C0172	UR829220	Electrolytic Cap.	2200 10.0V	ケ ミ コ ン		01
C0173	UB245100	Monolithic Ceramic Cap.	F 0.100 25V Z	チ ッ プ 積 層 セ ラ コ ン		01
C0701	UB245100	Monolithic Ceramic Cap.	F 0.100 25V Z	チ ッ プ 積 層 セ ラ コ ン		01
-0842	UB245100	Monolithic Ceramic Cap.	F 0.100 25V Z	チ ッ プ 積 層 セ ラ コ ン		01
C0844	UB245100	Monolithic Ceramic Cap.	F 0.100 25V Z	チ ッ プ 積 層 セ ラ コ ン		01
-0846	UB245100	Monolithic Ceramic Cap.	F 0.100 25V Z	チ ッ プ 積 層 セ ラ コ ン		01
DA001	V3749000	Diode Array	DA204K 2A X2 T146	ダ イ オ ー ド ア レ イ		01
D0001	VV925900	Diode	RLS-73 TE-11	ダ イ オ ー ド		01
-0003	VV925900	Diode	RLS-73 TE-11	ダ イ オ ー ド		01
D0101	VT332900	Diode	1SS355 TE-17	ダ イ オ ー ド		01
D0102	VT532500	Diode	1SR154-400	ダ イ オ ー ド		01
-0105	VT532500	Diode	1SR154-400	ダ イ オ ー ド		01
D0106	VT332900	Diode	1SS355 TE-17	ダ イ オ ー ド		01
-0108	VT332900	Diode	1SS355 TE-17	ダ イ オ ー ド		01
EM001	FZ006970	LC Filter	MTY223NBTBM	L C フィ ル タ ー E M I		02
EM002	FZ006970	LC Filter	MTY223NBTBM	L C フィ ル タ ー E M I		02
EM101	VR193800	LC Filter	STF-104ZB-TBM	L C フィ ル タ ー E M I		01
-103	VR193800	LC Filter	STF-104ZB-TBM	L C フィ ル タ ー E M I		01
IC001	XU947C00	IC	HG73C205AFD	I C	SWX00B	09
IC003	XW269A00	IC	LHMN5U	I C	FLASH ROM 32M	
IC004	XW268A00	IC	LH537UXN	I C	FLASH ROM 16M	
IC005	XU462B00	IC	MSM514260E-60TS-K	I C	DRAM 4M	07
IC006	XY909A00	IC	UPD431000AGW	I C	SRAM 1M	07
IC007	XP867A00	IC	UPD63200GS-E1	I C	D/A CONVERTER	07
IC008	XR967A00	IC	MB3790PF	I C	RESET	05
IC009	XY447A00	IC	TC7SU04F	I C	INVERTER	01
IC010	XU073A00	IC	SN75C1168NSR	I C	LINE	05
IC011	XS720A00	IC	TC74HC245AF	I C	TRANSCEIVER	03
IC011	XV611A00	IC	HD74HC245FPV	I C	TRANSCEIVER	03
IC011	XW107A00	IC	MM74HC245ASJX	I C	TRANSCEIVER	03
IC012	XL342A00	IC	HD74HC374FPEL	I C	D-FF	03

\*: New parts

RANK: Japan only

REF NO.	PART NO.	DESCRIPTION	部 品 名	REMARKS	QTY	RANK
IC012	XW894A00	IC	SN74HC374ANSR	I C		02
IC013	X3023100	IC	16M MASK ROM V1.00	I C	D-FF MASK ROM	
IC013	VK863100	IC Socket	DICF-42CS-E	I C ソ ケ ッ ト		03
IC014	XL095A00	IC	HD74HC32FPEL	I C	OR	01
IC014	XN241A00	IC	TC74HC32AF	I C	OR	01
IC101	VN686000	Photo Coupler	PC410T	フ オ ト カ ブ ラ		04
IC101	VR903700	Photo Coupler	HCPL-M600	フ オ ト カ ブ ラ		04
IC102	XM968B00	IC	UPC24M09AHF	I C	REGULATOR +9V	03
IC103	XL497A00	IC	UPC7805AHF	I C	REGULATOR +5V	02
IC104	XT333A00	IC	UPC29M33HF	I C	REGULATOR +3.3V	03
IC105	XQ138A00	IC	NJM4556AM(T1)	I C	OP AMP	03
IC106	XF291A00	IC	UPC4570G2	I C	OP AMP	03
IC108	XQ138A00	IC	NJM4556AM(T1)	I C	OP AMP	03
IC109	XF291A00	IC	UPC4570G2	I C	OP AMP	03
IC110	XF291A00	IC	UPC4570G2	I C	OP AMP	03
JK001	VM761000	DIN Connector	DIN 8P MD-S810	複 合 コ ネ ク タ	TO HOST	03
JK002	LB301920	Phone Jack	HLJ4306	ホ ー ン コ ネ ク タ	HI HAT CONTROL	02
JK101	VK519000	DIN Connector	5P3 YKF51-50	D I N コ ネ ク タ 2 連	MIDI IN, MIDI OUT	04
JK102	VS056300	Phone Jack	HLJ7001-01-	ホ ー ン コ ネ ク タ	9/10	01
JK103	VJ207400	DC-IN Jack	16V DC 3A HEC2305	D C ジ ャ ッ ク	DC IN 12V, +⊕-	01
JK104	VS056400	Phone Jack	HLJ7101-01-	ホ ー ン コ ネ ク タ	OUTPUT L/MONO	01
JK105	VS056400	Phone Jack	HLJ7101-01-	ホ ー ン コ ネ ク タ	OUTPUT R	01
JK107	VZ338600	Phone Jack	HLJ0544	ホ ー ン コ ネ ク タ	PHONES	02
L0002	VL139800	Chip Solid Inductance	BLM31A700SPT 70ohm	チップソリッドインダクタ		01
-0004	VL139800	Chip Solid Inductance	BLM31A700SPT 70ohm	チップソリッドインダクタ		01
L0006	VL139800	Chip Solid Inductance	BLM31A700SPT 70ohm	チップソリッドインダクタ		01
-0022	VL139800	Chip Solid Inductance	BLM31A700SPT 70ohm	チップソリッドインダクタ		01
L0023	VS740100	Chip Inductance	BLM21B751S 2125	チップインダクタ		03
L0024	VS740100	Chip Inductance	BLM21B751S 2125	チップインダクタ		03
L0025	VL139800	Chip Solid Inductance	BLM31A700SPT 70ohm	チップソリッドインダクタ		01
-0029	VL139800	Chip Solid Inductance	BLM31A700SPT 70ohm	チップソリッドインダクタ		01
L0101	VS740100	Chip Inductance	BLM21B751S 2125	チップインダクタ		03
-0104	VS740100	Chip Inductance	BLM21B751S 2125	チップインダクタ		03
L0105	VG238200	LC Filter	PLT2003C	L C フィルター E M I		04
L0106	VS740100	Chip Inductance	BLM21B751S 2125	チップインダクタ		03
-0111	VS740100	Chip Inductance	BLM21B751S 2125	チップインダクタ		03
RA001	RE045100	Resistor Array	100X4	抵 抗 ア レ イ		01
-004	RE045100	Resistor Array	100X4	抵 抗 ア レ イ		01
RA005	RE047100	Resistor Array	10KX4	抵 抗 ア レ イ		01
RA006	RE045100	Resistor Array	100X4	抵 抗 ア レ イ		01
-008	RE045100	Resistor Array	100X4	抵 抗 ア レ イ		01
RA009	RE047100	Resistor Array	10KX4	抵 抗 ア レ イ		01
-011	RE047100	Resistor Array	10KX4	抵 抗 ア レ イ		01
RA012	RE045100	Resistor Array	100X4	抵 抗 ア レ イ		01
-025	RE045100	Resistor Array	100X4	抵 抗 ア レ イ		01
RA026	RE047100	Resistor Array	10KX4	抵 抗 ア レ イ		01
-029	RE047100	Resistor Array	10KX4	抵 抗 ア レ イ		01
RA031	RE047100	Resistor Array	10KX4	抵 抗 ア レ イ		01
RA032	RE047100	Resistor Array	10KX4	抵 抗 ア レ イ		01
RA033	RE045100	Resistor Array	100X4	抵 抗 ア レ イ		01
RA034	RE047100	Resistor Array	10KX4	抵 抗 ア レ イ		01
RA035	RE047100	Resistor Array	10KX4	抵 抗 ア レ イ		01
R0001	RD257100	Carbon Resistor (chip)	10.0K 0.1 J	チ ッ プ 抵 抗		01
R0006	RD254560	Carbon Resistor (chip)	56.0 0.1 J	チ ッ プ 抵 抗		01
R0007	RD254560	Carbon Resistor (chip)	56.0 0.1 J	チ ッ プ 抵 抗		01
R0012	RD255100	Carbon Resistor (chip)	100.0 0.1 J	チ ッ プ 抵 抗		01
R0013	RD255100	Carbon Resistor (chip)	100.0 0.1 J	チ ッ プ 抵 抗		01
R0014	RD257100	Carbon Resistor (chip)	10.0K 0.1 J	チ ッ プ 抵 抗		01
R0015	RD256100	Carbon Resistor (chip)	1.0K 0.1 J	チ ッ プ 抵 抗		01
R0016	RD257100	Carbon Resistor (chip)	10.0K 0.1 J	チ ッ プ 抵 抗		01
-0018	RD257100	Carbon Resistor (chip)	10.0K 0.1 J	チ ッ プ 抵 抗		01
R0019	RD255100	Carbon Resistor (chip)	100.0 0.1 J	チ ッ プ 抵 抗		01
R0024	RD255330	Carbon Resistor (chip)	330.0 0.1 J	チ ッ プ 抵 抗		01
R0025	RD257470	Carbon Resistor (chip)	47.0K 0.1 J	チ ッ プ 抵 抗		01
R0026	RD256100	Carbon Resistor (chip)	1.0K 0.1 J	チ ッ プ 抵 抗		01
-0029	RD256100	Carbon Resistor (chip)	1.0K 0.1 J	チ ッ プ 抵 抗		01
R0030	RD256270	Carbon Resistor (chip)	2.7K 0.1 J	チ ッ プ 抵 抗		01
R0031	RD255220	Carbon Resistor (chip)	220.0 0.1 J	チ ッ プ 抵 抗		01
R0032	RD154680	Carbon Resistor (chip)	68.0 1/4 J	チ ッ プ 抵 抗		01
R0033	RD154680	Carbon Resistor (chip)	68.0 1/4 J	チ ッ プ 抵 抗		01
R0042	RD257100	Carbon Resistor (chip)	10.0K 0.1 J	チ ッ プ 抵 抗		01
-0044	RD257100	Carbon Resistor (chip)	10.0K 0.1 J	チ ッ プ 抵 抗		01
R0047	RD257100	Carbon Resistor (chip)	10.0K 0.1 J	チ ッ プ 抵 抗		01
-0049	RD257100	Carbon Resistor (chip)	10.0K 0.1 J	チ ッ プ 抵 抗		01
R0050	RD255100	Carbon Resistor (chip)	100.0 0.1 J	チ ッ プ 抵 抗		01

※: New parts

RANK: Japan only

REF NO.	PART NO.	DESCRIPTION	部 品 名	REMARKS	QTY	RANK
R0051	RD257100	Carbon Resistor (chip)	10.0K 0.1 J	チ ッ プ 抵 抗		01
R0052	RD257100	Carbon Resistor (chip)	10.0K 0.1 J	チ ッ プ 抵 抗		01
R0053	RD257100	Carbon Resistor (chip)	10.0K 0.1 J	チ ッ プ 抵 抗		01
R0055	RD257100	Carbon Resistor (chip)	10.0K 0.1 J	チ ッ プ 抵 抗		01
R0056	RD256150	Carbon Resistor (chip)	1.5K 0.1 J	チ ッ プ 抵 抗		01
R0058	RD257100	Carbon Resistor (chip)	10.0K 0.1 J	チ ッ プ 抵 抗		01
R0059	RD255100	Carbon Resistor (chip)	100.0 0.1 J	チ ッ プ 抵 抗		01
R0060	RD257100	Carbon Resistor (chip)	10.0K 0.1 J	チ ッ プ 抵 抗		01
R0061	RD257100	Carbon Resistor (chip)	10.0K 0.1 J	チ ッ プ 抵 抗		01
R0065	RD255220	Carbon Resistor (chip)	220.0 0.1 J	チ ッ プ 抵 抗		01
R0066	RD255220	Carbon Resistor (chip)	220.0 0.1 J	チ ッ プ 抵 抗		01
R0067	RD255100	Carbon Resistor (chip)	100.0 0.1 J	チ ッ プ 抵 抗		01
R0068	RD255100	Carbon Resistor (chip)	100.0 0.1 J	チ ッ プ 抵 抗		01
R0069	RD257100	Carbon Resistor (chip)	10.0K 0.1 J	チ ッ プ 抵 抗		01
R0070	RD255100	Carbon Resistor (chip)	100.0 0.1 J	チ ッ プ 抵 抗		01
R0072	RD255100	Carbon Resistor (chip)	100.0 0.1 J	チ ッ プ 抵 抗		01
R0073	RD257100	Carbon Resistor (chip)	10.0K 0.1 J	チ ッ プ 抵 抗		01
R0074	RD255100	Carbon Resistor (chip)	100.0 0.1 J	チ ッ プ 抵 抗		01
R0103	RD255220	Carbon Resistor (chip)	220.0 0.1 J	チ ッ プ 抵 抗		01
R0104	RD255220	Carbon Resistor (chip)	220.0 0.1 J	チ ッ プ 抵 抗		01
R0105	RD255220	Carbon Resistor (chip)	220.0 0.1 J	チ ッ プ 抵 抗		01
R0106	RD256220	Carbon Resistor (chip)	2.2K 0.1 J	チ ッ プ 抵 抗		01
R0107	RD257100	Carbon Resistor (chip)	10.0K 0.1 J	チ ッ プ 抵 抗		01
R0109	RD257100	Carbon Resistor (chip)	10.0K 0.1 J	チ ッ プ 抵 抗		01
R0110	RD256100	Carbon Resistor (chip)	1.0K 0.1 J	チ ッ プ 抵 抗		01
R0111	RD257100	Carbon Resistor (chip)	10.0K 0.1 J	チ ッ プ 抵 抗		01
R0112	RD257100	Carbon Resistor (chip)	10.0K 0.1 J	チ ッ プ 抵 抗		01
R0113	RD257120	Carbon Resistor (chip)	12.0K 0.1 J	チ ッ プ 抵 抗		01
R0114	RD257120	Carbon Resistor (chip)	12.0K 0.1 J	チ ッ プ 抵 抗		01
R0115	RD257270	Carbon Resistor (chip)	27.0K 0.1 J	チ ッ プ 抵 抗		01
R0116	RD257270	Carbon Resistor (chip)	27.0K 0.1 J	チ ッ プ 抵 抗		01
R0117	RD256680	Carbon Resistor (chip)	6.8K 0.1 J	チ ッ プ 抵 抗		01
R0118	RD256680	Carbon Resistor (chip)	6.8K 0.1 J	チ ッ プ 抵 抗		01
R0122	RD256100	Carbon Resistor (chip)	1.0K 0.1 J	チ ッ プ 抵 抗		01
R0123	RD256100	Carbon Resistor (chip)	1.0K 0.1 J	チ ッ プ 抵 抗		01
R0128	RD257100	Carbon Resistor (chip)	10.0K 0.1 J	チ ッ プ 抵 抗		01
R0131	RD257100	Carbon Resistor (chip)	10.0K 0.1 J	チ ッ プ 抵 抗		01
R0132	RD256100	Carbon Resistor (chip)	1.0K 0.1 J	チ ッ プ 抵 抗		01
R0133	RD256100	Carbon Resistor (chip)	1.0K 0.1 J	チ ッ プ 抵 抗		01
R0135	RD256100	Carbon Resistor (chip)	1.0K 0.1 J	チ ッ プ 抵 抗		01
R0136	RD256100	Carbon Resistor (chip)	1.0K 0.1 J	チ ッ プ 抵 抗		01
R0137	RD256330	Carbon Resistor (chip)	3.3K 0.1 J	チ ッ プ 抵 抗		01
R0138	RD256100	Carbon Resistor (chip)	1.0K 0.1 J	チ ッ プ 抵 抗		01
R0139	RD256100	Carbon Resistor (chip)	1.0K 0.1 J	チ ッ プ 抵 抗		01
R0140	RD256330	Carbon Resistor (chip)	3.3K 0.1 J	チ ッ プ 抵 抗		01
R0141	RD255470	Carbon Resistor (chip)	470.0 0.1 J	チ ッ プ 抵 抗		01
R0142	RD256470	Carbon Resistor (chip)	4.7K 0.1 J	チ ッ プ 抵 抗		01
-0145	RD256470	Carbon Resistor (chip)	4.7K 0.1 J	チ ッ プ 抵 抗		01
R0146	RD256560	Carbon Resistor (chip)	5.6K 0.1 J	チ ッ プ 抵 抗		01
R0147	RD256560	Carbon Resistor (chip)	5.6K 0.1 J	チ ッ プ 抵 抗		01
R0148	RD258100	Carbon Resistor (chip)	100.0K 0.1 J	チ ッ プ 抵 抗		01
-0151	RD258100	Carbon Resistor (chip)	100.0K 0.1 J	チ ッ プ 抵 抗		01
R0152	RD255820	Carbon Resistor (chip)	820.0 0.1 J	チ ッ プ 抵 抗		01
R0153	RD255820	Carbon Resistor (chip)	820.0 0.1 J	チ ッ プ 抵 抗		01
R0154	RD256100	Carbon Resistor (chip)	1.0K 0.1 J	チ ッ プ 抵 抗		01
R0155	RD256100	Carbon Resistor (chip)	1.0K 0.1 J	チ ッ プ 抵 抗		01
R0156	RD256470	Carbon Resistor (chip)	4.7K 0.1 J	チ ッ プ 抵 抗		01
R0157	RD257100	Carbon Resistor (chip)	10.0K 0.1 J	チ ッ プ 抵 抗		01
R0158	RD257100	Carbon Resistor (chip)	10.0K 0.1 J	チ ッ プ 抵 抗		01
R0159	RD256470	Carbon Resistor (chip)	4.7K 0.1 J	チ ッ プ 抵 抗		01
R0160	HV754680	Flame Proof C. Resistor	68.0 1/4 J	不 燃 化 方 ニ 示 ン 抵 抗		01
R0161	RD257470	Carbon Resistor (chip)	47.0K 0.1 J	チ ッ プ 抵 抗		01
R0162	RD258100	Carbon Resistor (chip)	100.0K 0.1 J	チ ッ プ 抵 抗		01
R0163	RD256100	Carbon Resistor (chip)	1.0K 0.1 J	チ ッ プ 抵 抗		01
R0164	RD256100	Carbon Resistor (chip)	1.0K 0.1 J	チ ッ プ 抵 抗		01
R0165	RD150000	Carbon Resistor (chip)	0.0 1/4 J	チ ッ プ 抵 抗		01
R0166	RD150000	Carbon Resistor (chip)	0.0 1/4 J	チ ッ プ 抵 抗		01
R0167	RD257100	Carbon Resistor (chip)	10.0K 0.1 J	チ ッ プ 抵 抗		01
-0170	RD257100	Carbon Resistor (chip)	10.0K 0.1 J	チ ッ プ 抵 抗		01
R0171	RD256100	Carbon Resistor (chip)	1.0K 0.1 J	チ ッ プ 抵 抗		01
-0174	RD256100	Carbon Resistor (chip)	1.0K 0.1 J	チ ッ プ 抵 抗		01
SW001	VN210700	Slide Switch	SSSF124-S06N-0	ス ラ イ ド S W	MIDI, PC-2, PC-1, MAC, HOST SELECT	03
TR101	VV556400	Transistor	2SC2412K Q,R,S	ト ラ ン ジ ス タ		01
TR102	VV556400	Transistor	2SC2412K Q,R,S	ト ラ ン ジ ス タ		01

\*: New parts

RANK: Japan only

REF NO.	PART NO.	DESCRIPTION		部 品 名	REMARKS	QTY	RANK
TR103	VD303700	Transistor	2SC3326 A,B TE85R	ト ラ ン ジ ス タ			01
TR104	VD303700	Transistor	2SC3326 A,B TE85R	ト ラ ン ジ ス タ			01
TR105	VV556400	Transistor	2SC2412K Q,R,S	ト ラ ン ジ ス タ			01
TR106	VJ927200	Transistor	2SA1162 O,Y	ト ラ ン ジ ス タ			01
TR107	VD303700	Transistor	2SC3326 A,B TE85R	ト ラ ン ジ ス タ			01
-109	VD303700	Transistor	2SC3326 A,B TE85R	ト ラ ン ジ ス タ			01
TR111	VD303700	Transistor	2SC3326 A,B TE85R	ト ラ ン ジ ス タ			01
VR002	V3059200	Rotary Variable Resistor	B 10K RK0971220	二 連 ロ ー タ リ ー V R	ACCOMP VOL, SNARE		04
VR101	V2904100	Rotary Variable Resistor	SW 10KX2 RK09712	二 連 ロ ー タ リ ー V R	POWER/VOL, STANDBY/ON		05
X0001	VZ703600	Quartz Crystal Unit	8.4672M SMD-49	水 晶 振 動 子			03
ZD101	VU172600	Zener Diode	UDZS10B TE-17 10V	ツ ェ ナ ー ダイ オ ー ド			01
*	V9097200	Circuit Board	AUX	A U X シ ー ト	(X2848B0)		
*	V9097000	Circuit Board	JK	J K シ ー ト	(X2848B0)		
*	V9097100	Circuit Board	PN	P N シ ー ト	(X2848B0)		
	V3605300	GND Terminal	A	G N D タ ー ミ ナ ル ( A )			04
CN201	VB858400	Connector Base Post	PH- 5P SE	コ ネ ク タ ベ ー ス ポ ス ト			01
CN202	VB858700	Connector Base Post	PH- 8P SE	コ ネ ク タ ベ ー ス ポ ス ト			01
CN203	VC166500	Connector Base Post	PH-12P SE	コ ネ ク タ ベ ー ス ポ ス ト			01
CN204	VB858200	Connector Base Post	PH- 3P SE	コ ネ ク タ ベ ー ス ポ ス ト			01
CN401	VF283400	Connector Base Post	PH-16P TE	コ ネ ク タ ベ ー ス ポ ス ト			01
CN501	VB858500	Connector Base Post	PH- 6P SE	コ ネ ク タ ベ ー ス ポ ス ト			01
CN502	VB858200	Connector Base Post	PH- 3P SE	コ ネ ク タ ベ ー ス ポ ス ト			01
C0201	UB013100	Monolithic Ceramic Cap.	B 1000P 50V K	チ ッ プ 積 層 セ ラ コ ン			01
-0208	UB013100	Monolithic Ceramic Cap.	B 1000P 50V K	チ ッ プ 積 層 セ ラ コ ン			01
C0209	UF065470	Electrolytic Cap. (chip)	0.47 50V	チ ッ プ ケ ミ コ ン			01
C0210	UB245100	Monolithic Ceramic Cap.	F 0.100 25V Z	チ ッ プ 積 層 セ ラ コ ン			01
-0213	UB245100	Monolithic Ceramic Cap.	F 0.100 25V Z	チ ッ プ 積 層 セ ラ コ ン			01
C0214	UB215100	Monolithic Ceramic Cap.	B 0.100 25V K	チ ッ プ 積 層 セ ラ コ ン			01
-0216	UB215100	Monolithic Ceramic Cap.	B 0.100 25V K	チ ッ プ 積 層 セ ラ コ ン			01
C0217	UF037100	Electrolytic Cap. (chip)	10 16V	チ ッ プ ケ ミ コ ン			01
C0218	UB245100	Monolithic Ceramic Cap.	F 0.100 25V Z	チ ッ プ 積 層 セ ラ コ ン			01
C0219	UB044100	Monolithic Ceramic Cap.	F 0.010 50V Z	チ ッ プ 積 層 セ ラ コ ン			01
-0223	UB044100	Monolithic Ceramic Cap.	F 0.010 50V Z	チ ッ プ 積 層 セ ラ コ ン			01
C0224	UB052100	Monolithic Ceramic Cap.	SL 100P 50V J	チ ッ プ 積 層 セ ラ コ ン			01
-228	UB052100	Monolithic Ceramic Cap.	SL 100P 50V J	チ ッ プ 積 層 セ ラ コ ン			01
C0229	UB215100	Monolithic Ceramic Cap.	B 0.100 25V K	チ ッ プ 積 層 セ ラ コ ン			01
-0238	UB215100	Monolithic Ceramic Cap.	B 0.100 25V K	チ ッ プ 積 層 セ ラ コ ン			01
C0239	UB044100	Monolithic Ceramic Cap.	F 0.010 50V Z	チ ッ プ 積 層 セ ラ コ ン			01
-0243	UB044100	Monolithic Ceramic Cap.	F 0.010 50V Z	チ ッ プ 積 層 セ ラ コ ン			01
C0244	UB052100	Monolithic Ceramic Cap.	SL 100P 50V J	チ ッ プ 積 層 セ ラ コ ン			01
-0248	UB052100	Monolithic Ceramic Cap.	SL 100P 50V J	チ ッ プ 積 層 セ ラ コ ン			01
C0249	UB215100	Monolithic Ceramic Cap.	B 0.100 25V K	チ ッ プ 積 層 セ ラ コ ン			01
-0258	UB215100	Monolithic Ceramic Cap.	B 0.100 25V K	チ ッ プ 積 層 セ ラ コ ン			01
C0259	UB245100	Monolithic Ceramic Cap.	F 0.100 25V Z	チ ッ プ 積 層 セ ラ コ ン			01
-0267	UB245100	Monolithic Ceramic Cap.	F 0.100 25V Z	チ ッ プ 積 層 セ ラ コ ン			01
C0268	UF037100	Electrolytic Cap. (chip)	10 16V	チ ッ プ ケ ミ コ ン			01
C0269	UF037100	Electrolytic Cap. (chip)	10 16V	チ ッ プ ケ ミ コ ン			01
C0270	UB245100	Monolithic Ceramic Cap.	F 0.100 25V Z	チ ッ プ 積 層 セ ラ コ ン			01
-0272	UB245100	Monolithic Ceramic Cap.	F 0.100 25V Z	チ ッ プ 積 層 セ ラ コ ン			01
C0501	UF037100	Electrolytic Cap. (chip)	10 16V	チ ッ プ ケ ミ コ ン			01
C0502	UF037100	Electrolytic Cap. (chip)	10 16V	チ ッ プ ケ ミ コ ン			01
C0503	UF066100	Electrolytic Cap. (chip)	1 50V	チ ッ プ ケ ミ コ ン			01
C0504	UF066100	Electrolytic Cap. (chip)	1 50V	チ ッ プ ケ ミ コ ン			01
C0505	UB052220	Monolithic Ceramic Cap.	SL 220P 50V J	チ ッ プ 積 層 セ ラ コ ン			01
C0506	UB052220	Monolithic Ceramic Cap.	SL 220P 50V J	チ ッ プ 積 層 セ ラ コ ン			01
C0507	UB051390	Monolithic Ceramic Cap.	SL 39P 50V J	チ ッ プ 積 層 セ ラ コ ン			01
C0508	UB051390	Monolithic Ceramic Cap.	SL 39P 50V J	チ ッ プ 積 層 セ ラ コ ン			01
C0509	UF065100	Electrolytic Cap. (chip)	0.1 50V	チ ッ プ ケ ミ コ ン			01
C0510	UF065100	Electrolytic Cap. (chip)	0.1 50V	チ ッ プ ケ ミ コ ン			01
C0511	UB051100	Monolithic Ceramic Cap.	SL 10P 50V D	チ ッ プ 積 層 セ ラ コ ン			01
C0512	UB051100	Monolithic Ceramic Cap.	SL 10P 50V D	チ ッ プ 積 層 セ ラ コ ン			01
C0513	UB245100	Monolithic Ceramic Cap.	F 0.100 25V Z	チ ッ プ 積 層 セ ラ コ ン			01
DA201	V3749000	Diode Array	DA204K 2A X2 T146	ダイ オ ー ド ア レ イ			01
-228	V3749000	Diode Array	DA204K 2A X2 T146	ダイ オ ー ド ア レ イ			01
D0201	VT332900	Diode	1SS355 TE-17	ダ イ オ ー ド			01
-0218	VT332900	Diode	1SS355 TE-17	ダ イ オ ー ド			01
D0219	VQ721800	Diode	MA732	ダ イ オ ー ド			01
-0233	VQ721800	Diode	MA732	ダ イ オ ー ド			01
D0234	VT332900	Diode	1SS355 TE-17	ダ イ オ ー ド			01
-0248	VT332900	Diode	1SS355 TE-17	ダ イ オ ー ド			01
D0249	VQ721800	Diode	MA732	ダ イ オ ー ド			01
-0263	VQ721800	Diode	MA732	ダ イ オ ー ド			01
D0401	VT332900	Diode	1SS355 TE-17	ダ イ オ ー ド			01
-0403	VT332900	Diode	1SS355 TE-17	ダ イ オ ー ド			01

\*: New parts

RANK: Japan only

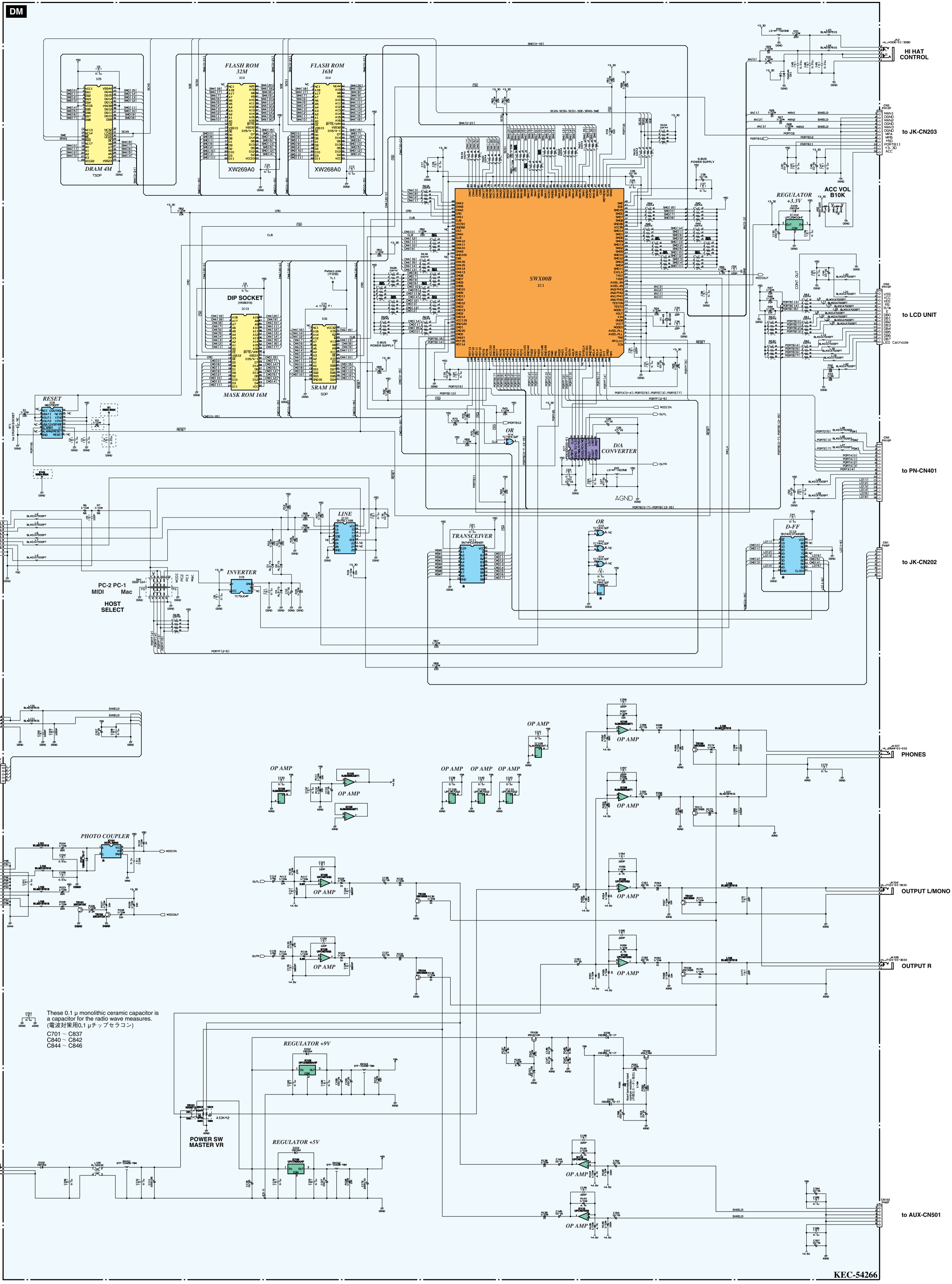


REF NO.	PART NO.	DESCRIPTION	部 品 名	REMARKS	QTY	RANK
IC201	XW876A00	IC	TC74VHC14F-EL	I C		01
IC201	XZ200A00	IC	74VHC14SJX	I C	} INVERTER	01
IC202	XW110A00	IC	SN74HC157NSR	I C	} INVERTER	02
IC202	XY310A00	IC	MM74HC157SJX	I C	} INVERTER	02
IC203	XR562A00	IC	NJM2902M-T1	I C	OP AMP	02
-207	XR562A00	IC	NJM2902M-T1	I C	OP AMP	02
IC208	XS790A00	IC	TC74HC4052AF	I C	} MPX	02
IC208	XY876A00	IC	MM74HC4052SJX	I C	} MPX	
IC209	XS790A00	IC	TC74HC4052AF	I C	} MPX	02
IC209	XY876A00	IC	MM74HC4052SJX	I C	} MPX	
IC210	XD672A00	IC	NJM2903M(T1)	I C	} COMPARATOR	02
-212	XD672A00	IC	NJM2903M(T1)	I C	} COMPARATOR	02
IC501	XF291A00	IC	UPC4570G2	I C	OP AMP	03
JK201	VS056300	Phone Jack	HLJ7001-01-	ホ ー ン コ ネ ク タ	1 KICK, 2 SNARE, 3 TOM1,	01
-208	VS056300	Phone Jack	HLJ7001-01-	ホ ー ン コ ネ ク タ	4 TOM2, 5 TOM3, 6 RIDE,	01
					7 RASH, 8 HI HAT	
JK501	VM552100	Phone Jack	ST HSJ0912-01-01	ホ ー ン コ ネ ク タ	AUX IN	02
L0201	VS740100	Chip Inductance	BLM21B751S 2125	チ ッ プ イ ン ダ ク タ		03
-0216	VS740100	Chip Inductance	BLM21B751S 2125	チ ッ プ イ ン ダ ク タ		03
L0501	VS740100	Chip Inductance	BLM21B751S 2125	チ ッ プ イ ン ダ ク タ		03
L0502	VS740100	Chip Inductance	BLM21B751S 2125	チ ッ プ イ ン ダ ク タ		03
R0201	RD257560	Carbon Resistor (chip)	56.0K 0.1 J	チ ッ プ 抵 抗		01
R0202	RD257100	Carbon Resistor (chip)	10.0K 0.1 J	チ ッ プ 抵 抗		01
R0203	RD258220	Carbon Resistor (chip)	220.0K 0.1 J	チ ッ プ 抵 抗		01
R0204	RD258220	Carbon Resistor (chip)	220.0K 0.1 J	チ ッ プ 抵 抗		01
R0205	RD258220	Carbon Resistor (chip)	220.0K 0.1 J	チ ッ プ 抵 抗		01
R0206	RD257100	Carbon Resistor (chip)	10.0K 0.1 J	チ ッ プ 抵 抗		01
R0207	RD257100	Carbon Resistor (chip)	10.0K 0.1 J	チ ッ プ 抵 抗		01
R0208	RD258220	Carbon Resistor (chip)	220.0K 0.1 J	チ ッ プ 抵 抗		01
R0209	RD255100	Carbon Resistor (chip)	100.0 0.1 J	チ ッ プ 抵 抗		01
-0213	RD255100	Carbon Resistor (chip)	100.0 0.1 J	チ ッ プ 抵 抗		01
R0214	RD258100	Carbon Resistor (chip)	100.0K 0.1 J	チ ッ プ 抵 抗		01
-0216	RD258100	Carbon Resistor (chip)	100.0K 0.1 J	チ ッ プ 抵 抗		01
R0217	RD257100	Carbon Resistor (chip)	10.0K 0.1 J	チ ッ プ 抵 抗		01
R0218	RD257270	Carbon Resistor (chip)	27.0K 0.1 J	チ ッ プ 抵 抗		01
R0219	RD257270	Carbon Resistor (chip)	27.0K 0.1 J	チ ッ プ 抵 抗		01
R0220	RD257180	Carbon Resistor (chip)	18.0K 0.1 J	チ ッ プ 抵 抗		01
R0221	RD257100	Carbon Resistor (chip)	10.0K 0.1 J	チ ッ プ 抵 抗		01
R0222	RD257270	Carbon Resistor (chip)	27.0K 0.1 J	チ ッ プ 抵 抗		01
R0223	RD257270	Carbon Resistor (chip)	27.0K 0.1 J	チ ッ プ 抵 抗		01
R0224	RD257180	Carbon Resistor (chip)	18.0K 0.1 J	チ ッ プ 抵 抗		01
R0225	RD257100	Carbon Resistor (chip)	10.0K 0.1 J	チ ッ プ 抵 抗		01
R0226	RD257270	Carbon Resistor (chip)	27.0K 0.1 J	チ ッ プ 抵 抗		01
R0227	RD257270	Carbon Resistor (chip)	27.0K 0.1 J	チ ッ プ 抵 抗		01
R0228	RD257180	Carbon Resistor (chip)	18.0K 0.1 J	チ ッ プ 抵 抗		01
-0234	RD257100	Carbon Resistor (chip)	10.0K 0.1 J	チ ッ プ 抵 抗		01
R0235	RD258220	Carbon Resistor (chip)	220.0K 0.1 J	チ ッ プ 抵 抗		01
-0240	RD258220	Carbon Resistor (chip)	220.0K 0.1 J	チ ッ プ 抵 抗		01
R0241	RD257220	Carbon Resistor (chip)	22.0K 0.1 J	チ ッ プ 抵 抗		01
-0245	RD257220	Carbon Resistor (chip)	22.0K 0.1 J	チ ッ プ 抵 抗		01
R0246	RD256470	Carbon Resistor (chip)	4.7K 0.1 J	チ ッ プ 抵 抗		01
-0250	RD256470	Carbon Resistor (chip)	4.7K 0.1 J	チ ッ プ 抵 抗		01
R0251	RD258220	Carbon Resistor (chip)	220.0K 0.1 J	チ ッ プ 抵 抗		01
-0255	RD258220	Carbon Resistor (chip)	220.0K 0.1 J	チ ッ プ 抵 抗		01
R0256	RD257270	Carbon Resistor (chip)	27.0K 0.1 J	チ ッ プ 抵 抗		01
-0260	RD257270	Carbon Resistor (chip)	27.0K 0.1 J	チ ッ プ 抵 抗		01
R0261	RD255100	Carbon Resistor (chip)	100.0 0.1 J	チ ッ プ 抵 抗		01
-0265	RD255100	Carbon Resistor (chip)	100.0 0.1 J	チ ッ プ 抵 抗		01
R0266	RD258390	Carbon Resistor (chip)	390.0K 0.1 J	チ ッ プ 抵 抗		01
-0270	RD258390	Carbon Resistor (chip)	390.0K 0.1 J	チ ッ プ 抵 抗		01
R0271	RD256220	Carbon Resistor (chip)	2.2K 0.1 J	チ ッ プ 抵 抗		01
-0275	RD256220	Carbon Resistor (chip)	2.2K 0.1 J	チ ッ プ 抵 抗		01
R0281	RD256470	Carbon Resistor (chip)	4.7K 0.1 J	チ ッ プ 抵 抗		01
-0285	RD256470	Carbon Resistor (chip)	4.7K 0.1 J	チ ッ プ 抵 抗		01
R0286	RD257220	Carbon Resistor (chip)	22.0K 0.1 J	チ ッ プ 抵 抗		01
R0287	RD258220	Carbon Resistor (chip)	220.0K 0.1 J	チ ッ プ 抵 抗		01
-0290	RD258220	Carbon Resistor (chip)	220.0K 0.1 J	チ ッ プ 抵 抗		01
R0291	RD256470	Carbon Resistor (chip)	4.7K 0.1 J	チ ッ プ 抵 抗		01
-0295	RD256470	Carbon Resistor (chip)	4.7K 0.1 J	チ ッ プ 抵 抗		01
R0296	RD258220	Carbon Resistor (chip)	220.0K 0.1 J	チ ッ プ 抵 抗		01
-0300	RD258220	Carbon Resistor (chip)	220.0K 0.1 J	チ ッ プ 抵 抗		01
R0301	RD257270	Carbon Resistor (chip)	27.0K 0.1 J	チ ッ プ 抵 抗		01
-0305	RD257270	Carbon Resistor (chip)	27.0K 0.1 J	チ ッ プ 抵 抗		01
R0306	RD255100	Carbon Resistor (chip)	100.0 0.1 J	チ ッ プ 抵 抗		01
-0310	RD255100	Carbon Resistor (chip)	100.0 0.1 J	チ ッ プ 抵 抗		01

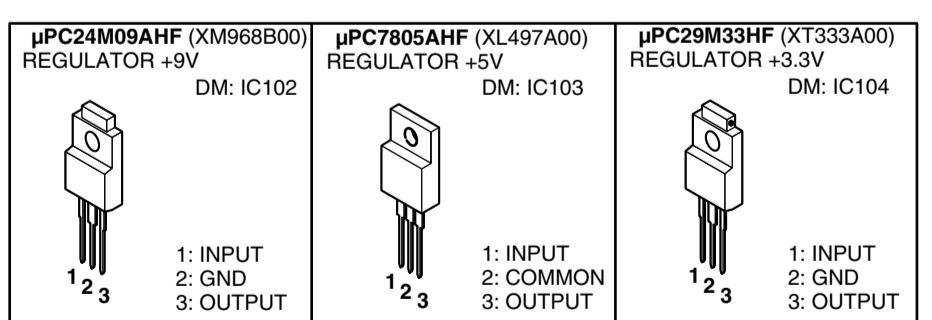
\*: New parts

RANK: Japan only





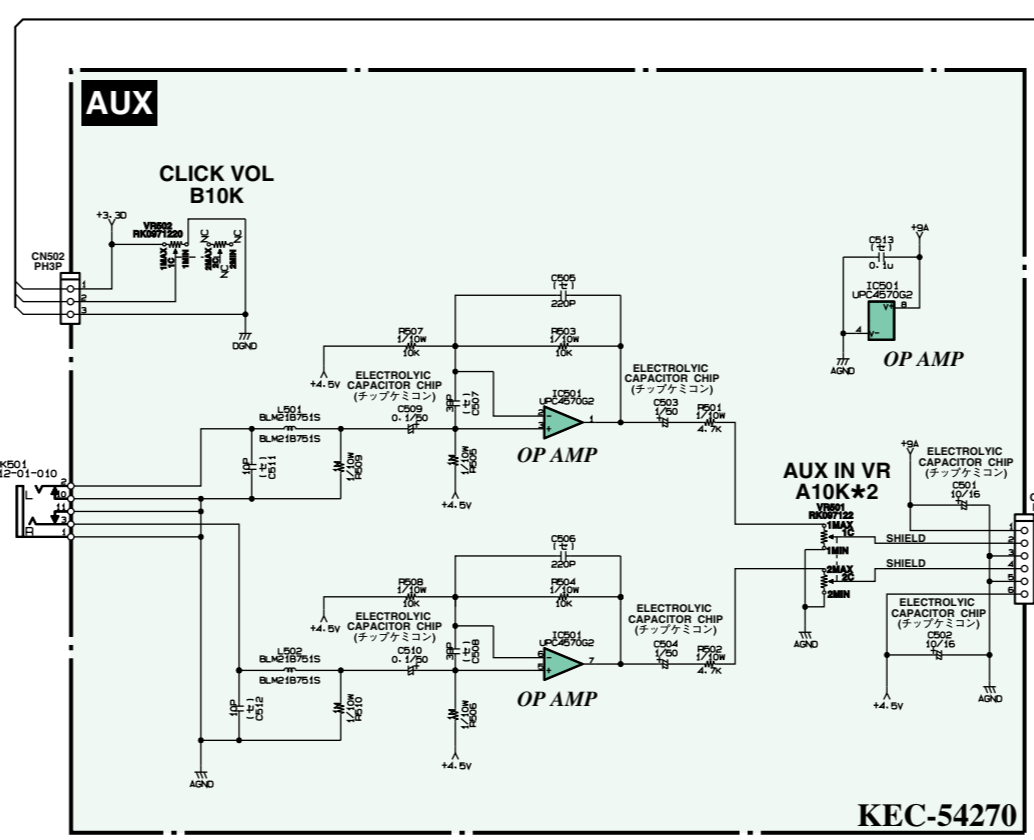
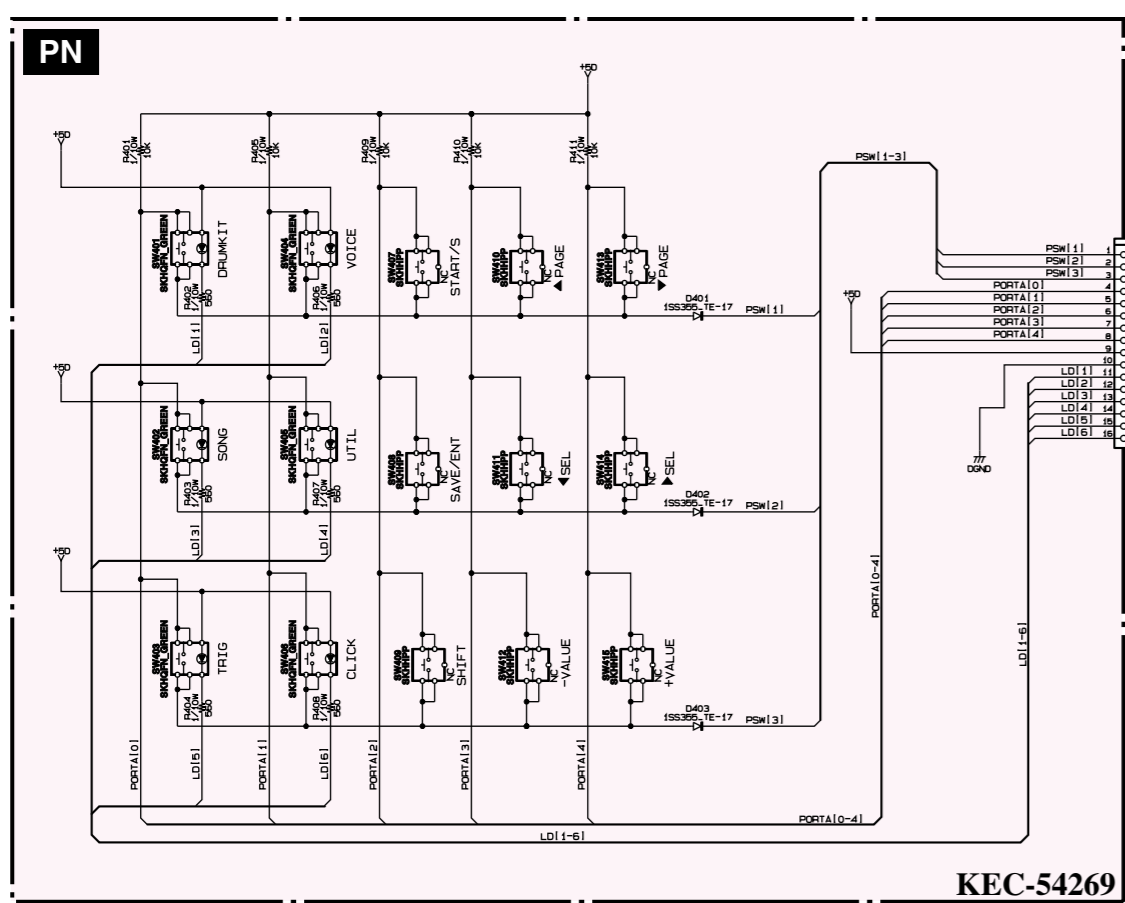
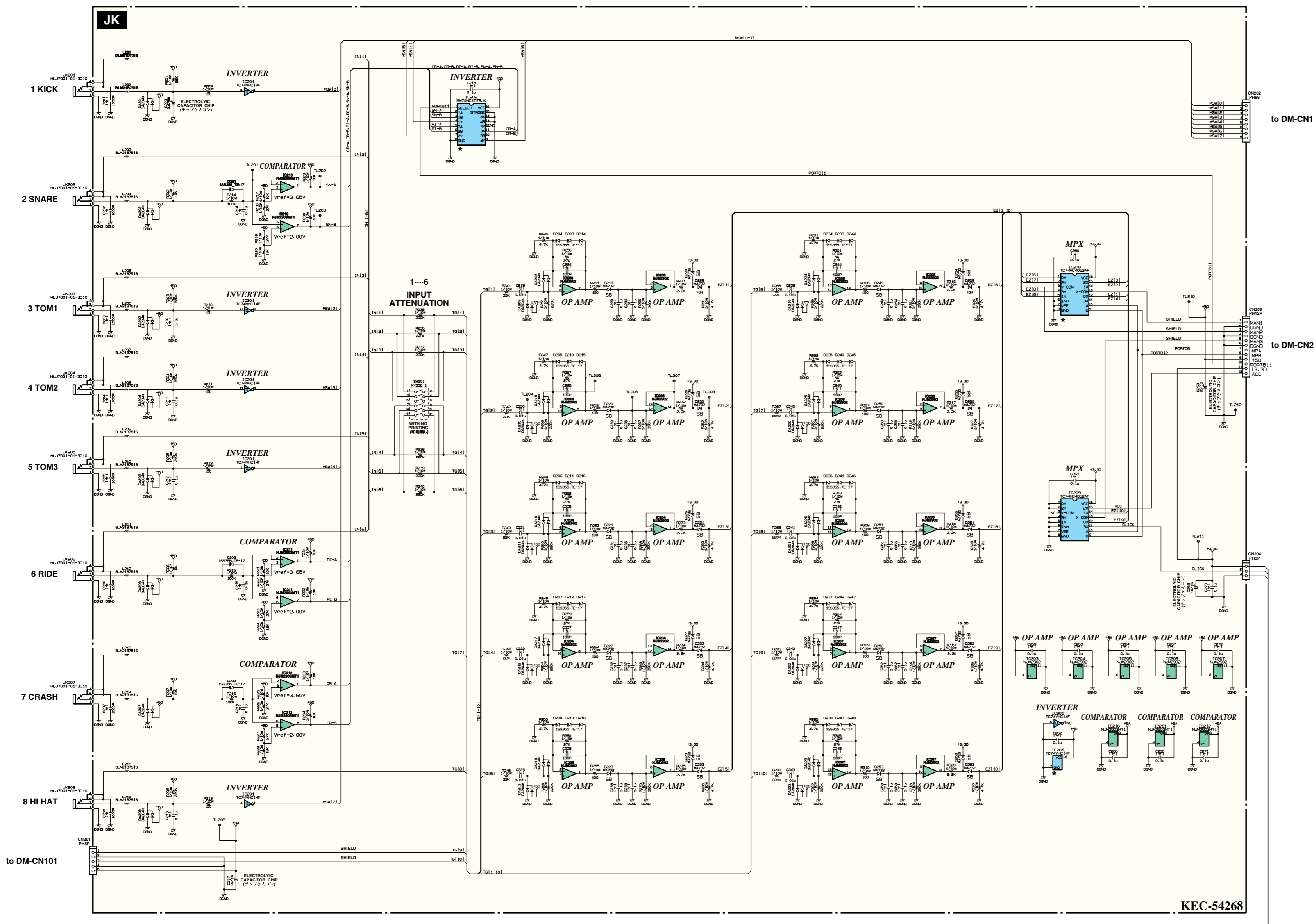
These 0.1 μ monolithic ceramic capacitor is a capacitor for the radio wave measures.  
(電波対策用0.1 μチップセラコン)  
C701 - C837  
C840 - C842  
C844 - C846



\* : Equivalent article use is possible (同等品使用可)  
 (セ) Monolithic Ceramic Capacitor (チップ積層セラコン)  
 (タ) Tantalum Capacitor (タンタルコン)

Note : See parts list for details of circuit board component parts.  
 (注意 : シートの部品詳細はパーツリストご参照下さい。)

KEC-54266



\* : Equivalent article use is possible (同等品使用可)  
 (セ) Monolithic Ceramic Capacitor (チップ積層セラコン)

Note : See parts list for details of circuit board component parts.  
 (注意 : シートの部品詳細はパーツリストご参照下さい。)