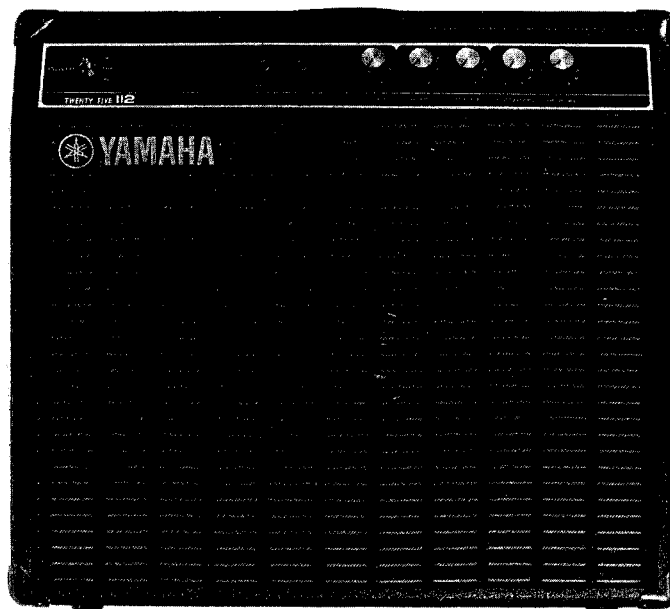


SERVICE MANUAL



 **YAMAHA**

Guitar Amplifier

G25-112

SPECIFICATIONS

OUTPUT POWER	30 Watts RMS @3% THD 8 ohms
SPEAKER	Single 12" (30cm) Yamaha JA-3015
INPUT SENSITIVITY	High -36dBm (12mV) Low -30dBm (25mV) @1 KHz (Volume & Tone Controls at max.)
INPUT IMPEDANCE	High 1M ohms Low 130K ohms
CONTROLS	VOLUME BASS TREBLE DISTORTION REVERB
FOOT SWITCH JACK	REVERB
POWER REQUIREMENTS	110, 117, 130, 220 or 240V AC 50/60Hz 117V 0.5A (Canadian model), 120W (other models)
DIMENSIONS	Width 47cm (18.5 in) Height 45cm (17.7 in) Depth 20cm (7.9 in)
WEIGHT	12.4 kg (27.3 lbs)
FINISH	Black leatherette, reinforced corners

Specifications subject to change without notice.

PARTIAL DISASSEMBLY

Amp Unit Removal

1. Remove the 6 screws securing the back cover as shown in Figure-1.

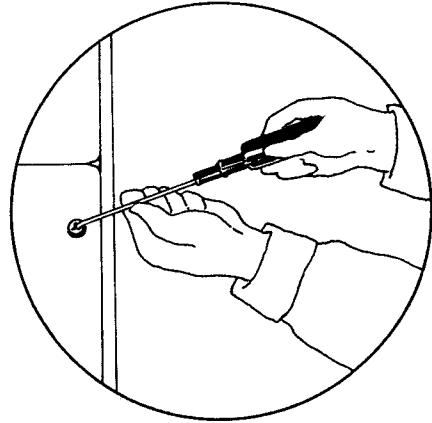
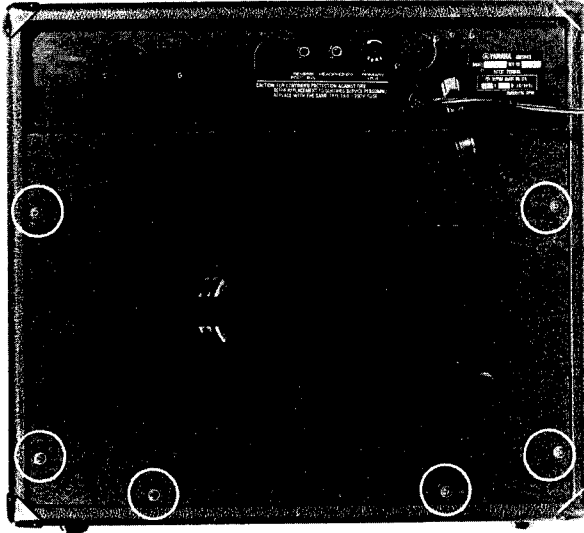


Figure-1

2. To remove the amp unit from the cabinet, pull it forward as shown in Figure-2.

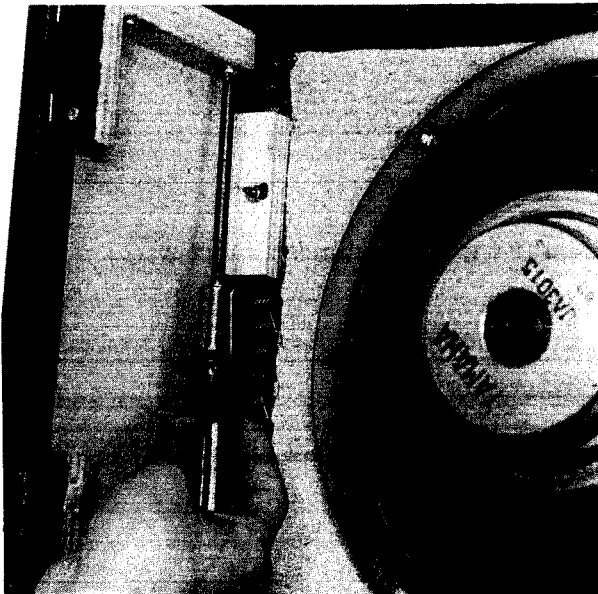


Figure-2

ELECTRICAL CHECKS AND ADJUSTMENTS

Gain

1. Connect an 8-ohm dummy load to the output terminal.
2. Set up the various controls as shown in Table-1.

DISTORTION, REVERB	MIN
VOLUME, BASS, TREBLE	MAX

Table-1

3. Feed a $-30\text{dBm}/400\text{Hz}$ signal through the input jack.
4. The output signal level from the output terminal should be within the limits indicated in Table-2.

HIGH INPUT JACK	$+23 \pm 3\text{dBm}$
LOW INPUT JACK	$+17 \pm 3\text{dBm}$

Table-2

Frequency Response

1. Feed -50dBm signals from 20KHz down to 20Hz observing the output on a level meter.
2. The indicated response should be within $\pm 3\text{dB}$ of the specified response curves.

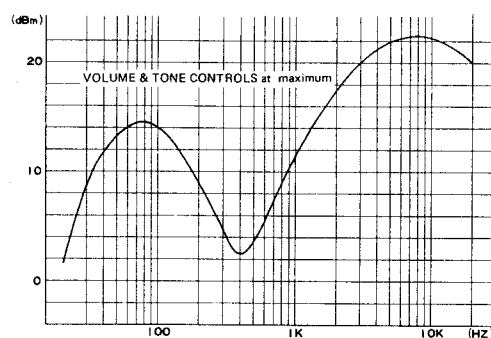


Figure-3 Frequency Response Curves

Main Amp Idling Current Adjustment

1. Adjust VR so that the MDC curcuit board TP-0 terminal voltage is $3 \pm 1\text{mV}$ at no signal.

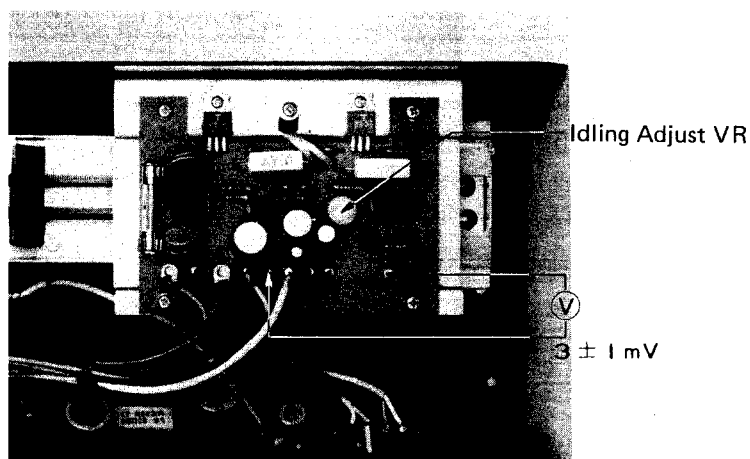
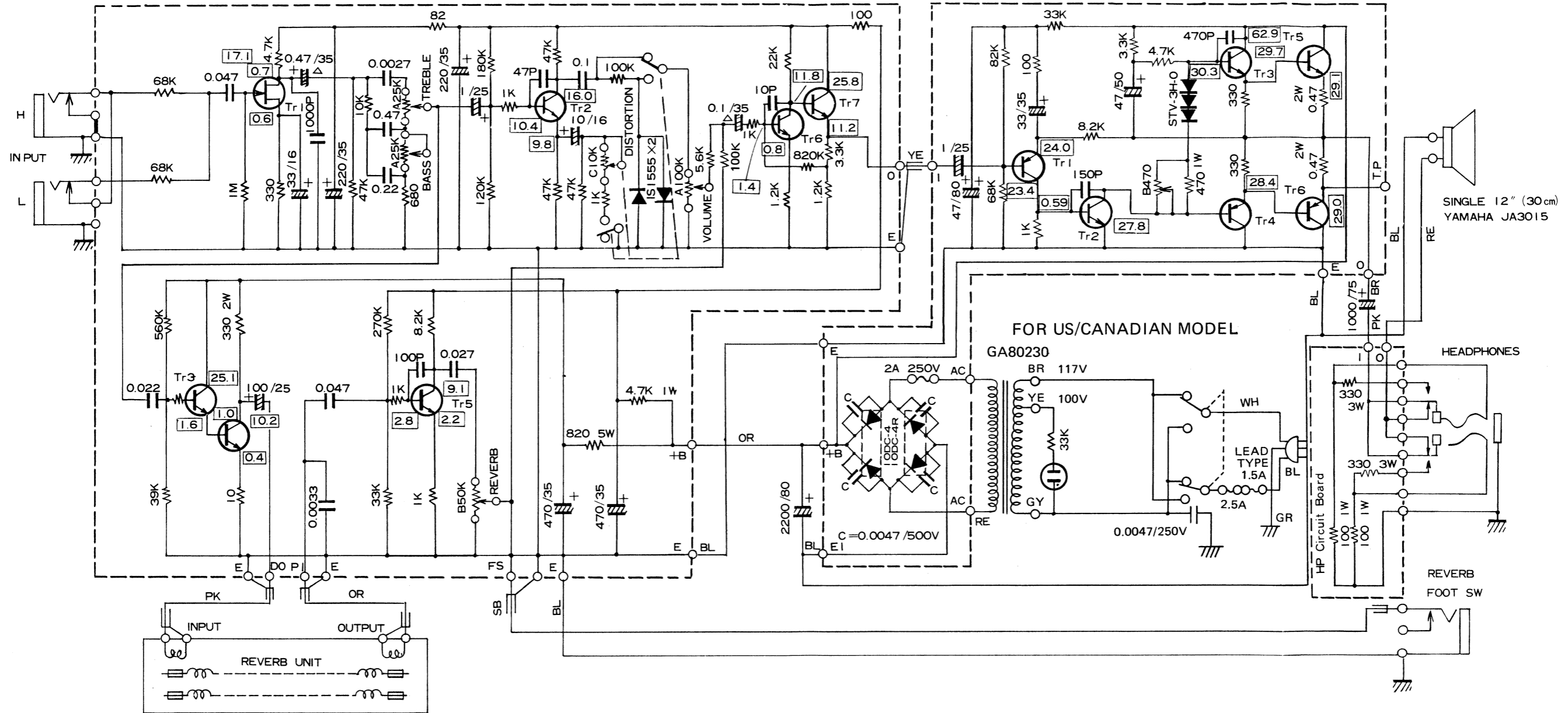


Figure-4

SCHEMATIC DIAGRAM

PA Circuit Board (Page 7)

MDC Circuit Board (Page 8)



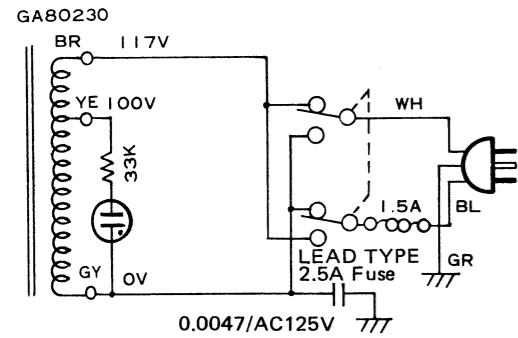
NOTES :

1. ALL RESISTORS IN OHMS 1/4 WATT UNLESS OTHERWISE NOTED.
 2. ALL CAPACITORS IN MFD. UNLESS OTHERWISE NOTED.
 3. ALL VOLTAGES MEASURED WITH A DIGITAL MULTIMETER, WITH ALL CONTROLS SET AT MINIMUM.
 4. ABBREVIATIONS
- | | | |
|------------|------------|------------------|
| BL : BLACK | GR : GREEN | GG : LIGHT GREEN |
| BR : BROWN | BE : BLUE | SB : LIGHT BLUE |

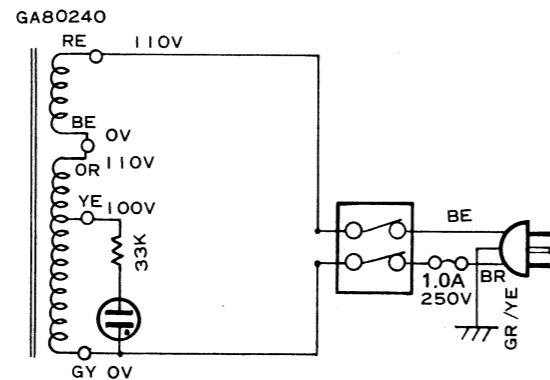
- | | | |
|-------------|-------------|-----------|
| RE : RED | VI : VIOLET | PK : PINK |
| OR : ORANGE | GY : GRAY | |
| YE : YELLOW | WH : WHITE | |

POWER CIRCUIT ARRANGEMENTS

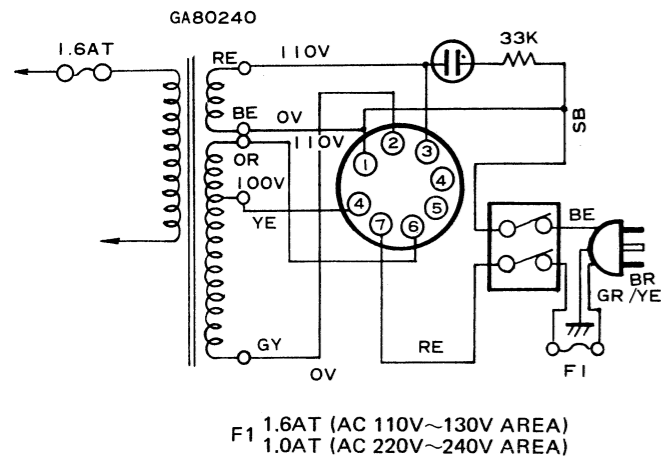
▼ FOR U.S./CANADIAN MODEL



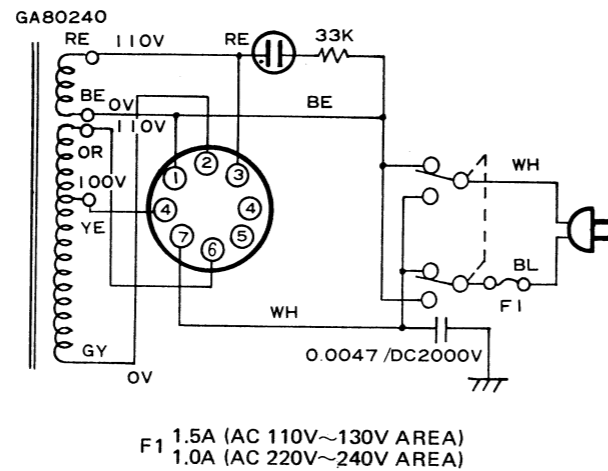
▼ FOR AUSTRALIAN MODEL



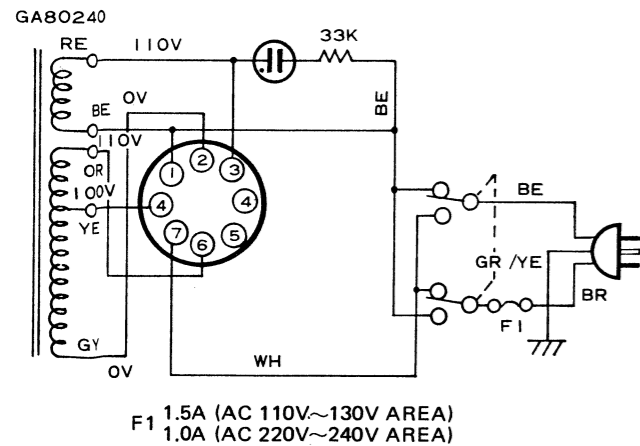
▼ FOR EUROPEAN MODEL



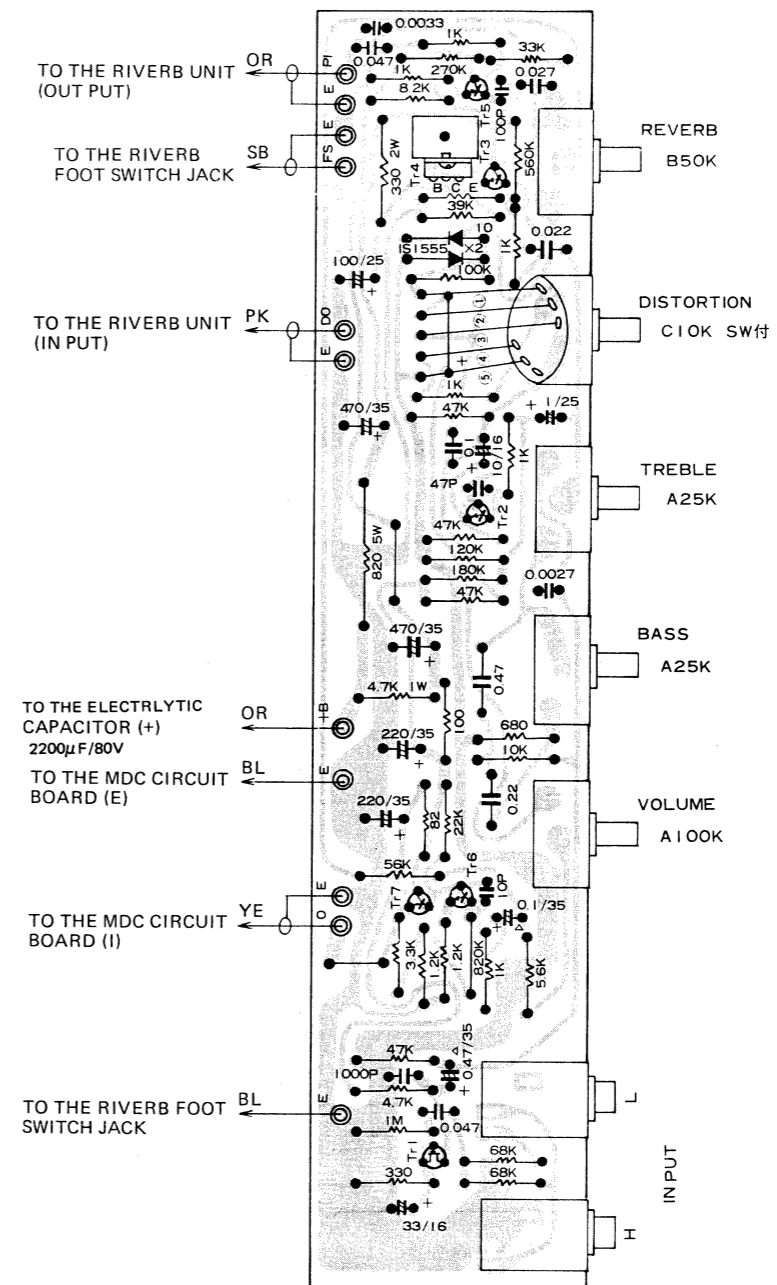
▼ FOR GENERAL MODEL



▼ FOR SOUTH AFRICAN MODEL

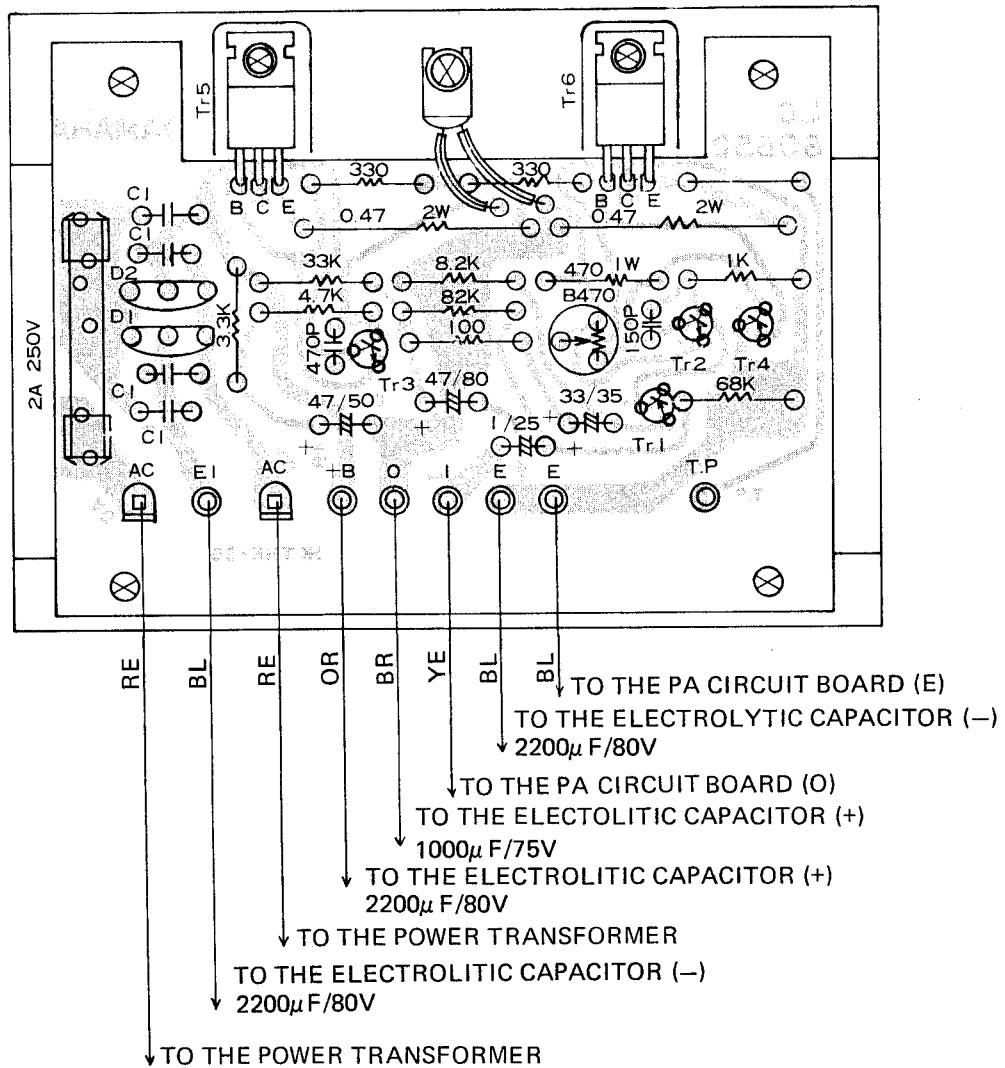


PA CIRCUIT BOARD



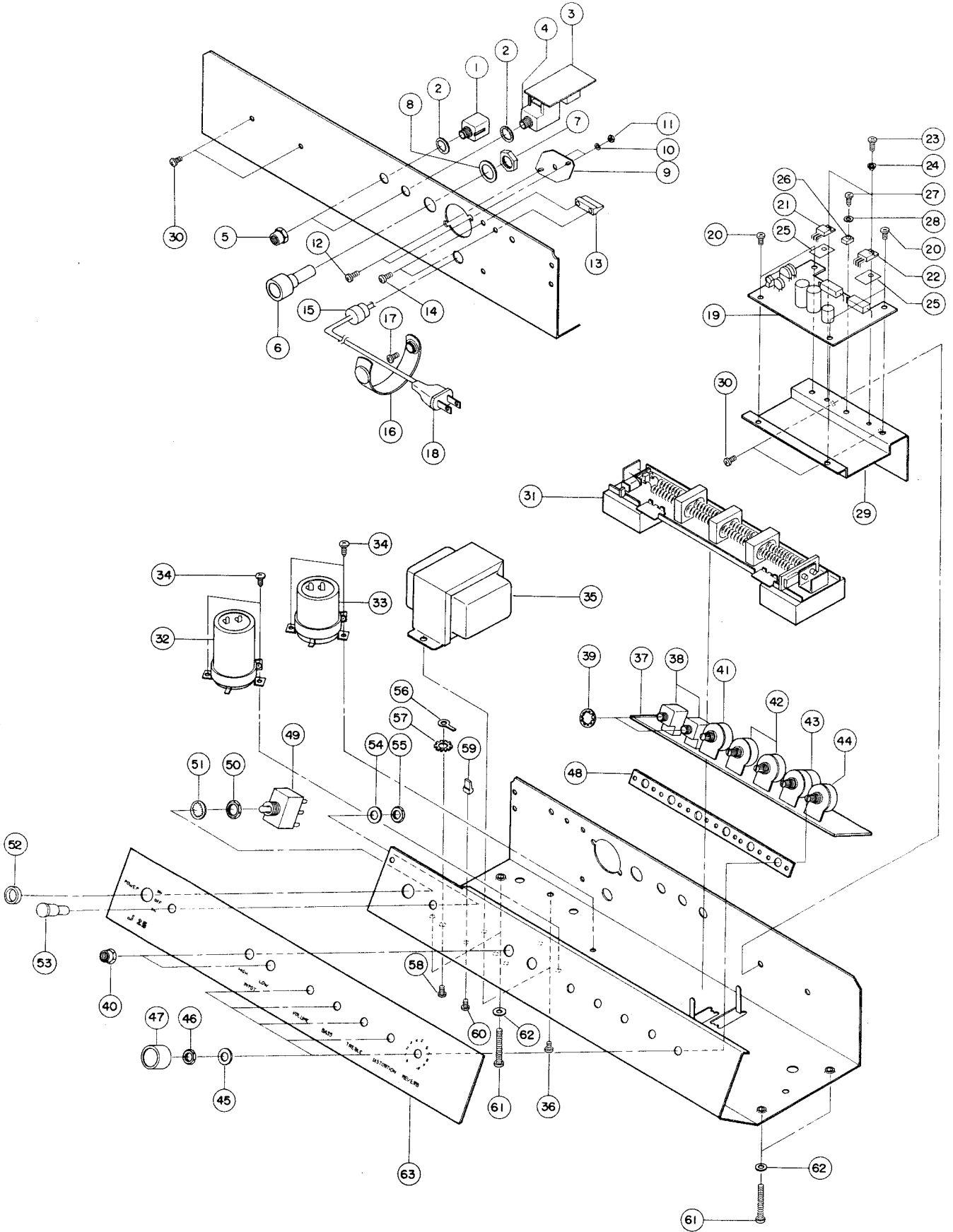
Part No.	Description
305400NA800990	PA Circuit Board
401000iC168110	Transistor 2SC1681
401000iD052610	Transistor 2SC526
401000iE000020	FET 2SK30A
401000iF000040	Diode 1S1555
401000FP155100	Tantalum Capacitor 0.1/35
401000FP155470	Tantalum Capacitor 0.47/35
401000HM555820	Cement Molded Resistor 820Ω, 5W
401000HL416470	Metal Oxide Film Resistor 4.7K, 1W
401000HL325330	Metal Oxide Film Resistor 330Ω, 2W
401000HS320260	Variable Resistor A25K
401000HS320220	Variable Resistor B50K
401000HS320250	Variable Resistor A100K
401000HS320310	Variable Resistor C10K (W/Switch)
401000LB200860	Jack
305400BA800800	Heat Sink Small

MDC CIRCUIT BOARD

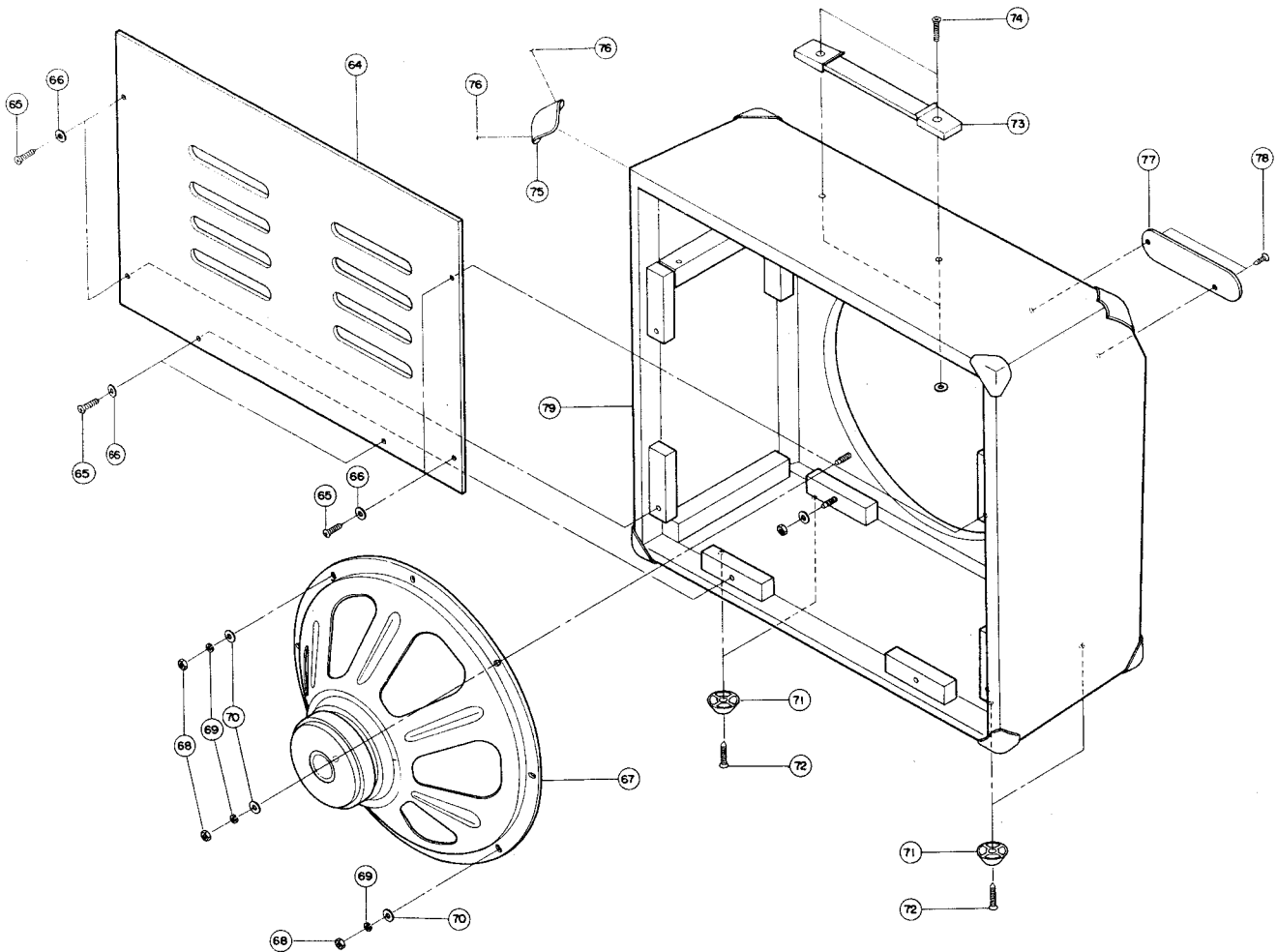


Part No.	Discription
305400NA801670	MDC Circuit Board (UL, CSA Models)
305400NA801010	MDC Circuit Board (General, South African, Australian Models)
305400NA801140	MDC Circuit Board (South European)
305400AA803290	Shield Bolt
401000iA056120	Transistor 2SA561
401000iA077730	Transistor 2SA777
401000iC150930	Transistor 2SC1509
401000iB059620	Transistor 2SB596
401000iD052620	Transistor 2SD526
401000iH000140	Diode 10DC-4
401000iH000150	Diode 10DC-4R
401000iF000230	Varistor STV-3H-0
305400CB072880	Insulation Bush
401000iL000270	Insulation Sheet AC229
305400BA800790	Heat Sink Large #80079
401000HL415470	Metal Oxide Film Resistor 470Ω, 1W
401000HM522470	Cement Molded Resistor 0.47Ω, 2W
401000HT410120	Solid Volume B470Ω

PARTS LIST



Ref. No.	Parts No.	Description	Remarks	
1	401000LB200630	Jack	ジャック	
2	401000LX200010	Toothed Washer A9S	歯付座金	
3	305400NA801280	HP Circuit Board	H P シート	
4	401000LB300310	Stereo Jack	ステレオジャック	
6	401000LB200480	Fuse Holder	ヒューズホルダー	General, UL, Canadian, South African & Australian
	401000LB200590	-do.-	"	BS & North European models
7		Hexagon Nut	特殊六角ナット	
8		Flat Washer	特殊平座金	
9	305400AA024310	Voltage Selector	電圧切換器基板	UL, Canadian & Australian models
	401000LB200250	-do.-	電圧切換器	General, South African, BS & North European models
10	401000EV410030	Toothed Washer A3S	歯付座金	
11	401000EV100030	Hexagon Nut 3S	六角ナット	
12		⊕Pan Head Screw 3 x 6	ナベ小ネジ+	
13	401000LA000750	Lug Terminal	カラー端子板	UL, Canadian & Australian models
14	401000LA000760	-do.-	"	General, North European, BS & South African models
15	401000CB004410	Cord Stopper Large	コードストッパー	Except UL model
	401000AA030990	Cord Stopper Large Ling	コードストッパーリング	UL model only
16	305400CB805410	Band For Cord Holder	コード止メバンド	
17	401000EA330100	⊕Pan Head Screw M3 x 10	ナベ小ネジ+	
18	401000MG000230	AC Cord	電源コード	General models
	401000MG000270	-do.-	"	UL & Canadian models
	401000MG000450	-do.-	"	North European model
	401000MG000500	-do.-	"	Australian model
	401000MD000060	-do.-	"	South African model
19	305400NA801010	MDC Circuit Board	M D C シート	Except UL, Canadian & North European models
	305400NA801140	-do.-	"	North European models
	305400NA801670	-do.-	"	UL & Canadian models
20	401000EJ030060	⊕Pan Head Screw M3 x 10	ナベ小ネジ+	
		See [cf.] page 8.		
31	401000JH000060	Reverb Unit	リバーブユニット	
32	401000FM339220	ELECTROLYTIC CAPACITOR 2200 μ F/80V	ケミコン	
33	401000FM349100	-do.- 1000 μ F/75V	"	
34	401000Ei030800	Binding Topping Screw M3 x 8	バインド頭チッピングネジ	
35	305400GA802300	Power Transformer	電源トランス	UL & Canadian models
	401000GA802400	-do.-	"	Except UL & Canadian models
36	401000EA340100	Pan Head Screw M4 x 10	ナベ小ネジ	
37	305400NA800990	PA Circuit Board	P A シート	
		See [cf.] page 7.		
47	305400CB800820	Knob	ツマミ	
48	305400AA802360	Spacer	スペーサー	
49	401000KA300210	Toggle Switch	トグルスイッチ	General, UL, Canadian & South African models
	401000KA300010	-do.-	"	Australian, BS & North European models
50		Hexagon Nut	特殊六角ナット	
51		Washer	特殊座金	
52		Nut	特殊ナット	
53	401000JB000360	Neon Lamp Unit	ネオンフラケットランプ	
54		Flat Washer	ファイバーワッシャー	
55		Hexagon Nut	六角ナット	
56	401000LA000290	Lug Terminal 4 ϕ	アースラグ	
57	401000EV430040	Toothed Washer AB4S	歯付座金	
58	401000EA340100	⊕Pan Head Screw M4 x 10	ナベ小ネジ+	



Ref. No.	Parts No.	Description	Remarks
63	305400AA802470	Panel	パネル
64	3054680O000100	Back Panel	裏板
65	401000EQ335200	Round Head Wooden Screw 3.5 x 20	丸木ネジ
66	401000EV203040	Flat Washer 4S	平座金
67	401000JA301500	Speaker	スピーカー
68	401000EV100040	Hexagon Nut 4S	六角ナット
69	401000EV300040	Spring Locked Washer 4S	バネ座金
70	401000EV200040	Flat Washer 4S	平座金
71	401000CB023200	Slip Fitting	スベリ座
72	401000EP035250	Pan Head Wooden Screw 3.5 x 25	皿木ネジ
73	305600NB800500	Handle Ass'y	取手 Assy
74	401000EF240250	Oval Head Screw 4 x 25	丸皿小ネジ
75	305400CB804430	Plastic Corner	コーナー金具
76	401000EL000590	Brazen Nail	真鍮針
77	305400CB801050	Name Plate	ネームプレート
78	401000ER33160	Oval Head Wooden Screw 3.1 x 16	丸皿木ネジ
79	3054680O000010	Cabinet	外装組上り