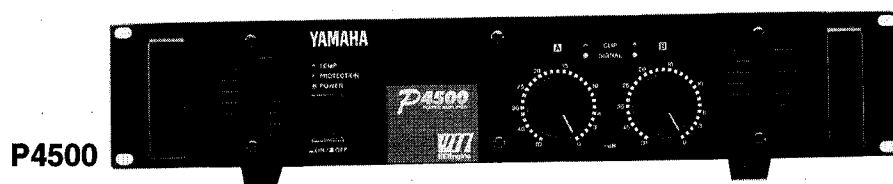


POWER AMPLIFIER

P1600/P3200/P4500

SERVICE MANUAL



■ CONTENTS(目次)

SPECIFICATIONS(総合仕様)	2/3
PANEL LAYOUT(パネルレイアウト)	4
DIMENSIONS(寸法図)	5
BLOCK DIAGRAM(ブロックダイアグラム)	5
CIRCUIT BOARD LAYOUT & WIRING (ユニットレイアウトと基板結線図)	6
DISASSEMBLY PROCEDURE(分解手順)	10
IC BLOCK DIAGRAM(ICブロック図)	13
POWER CONSUMPTION vs OUTPUT POWER GRAPH (消費電力対出力特性図)	13
CIRCUIT BOARD(シート基板図)	14/19
INSPECTIONS(検査)	20/23
CAUTION FOR SPEAKER CONNECTION (スピーカー配線)	26/27
TROUBLESHOOTING(トラブルシューティング)	26/27
PARTS LIST	

PA 011374

19971020 P1600-95000
P3200-145000
P4500-165000

YAMAHA CORP.

HAMAMATSU, JAPAN

1.94K-455 ① Printed in Japan '97.7

IMPORTANT NOTICE

This manual has been provided for the use of authorized Yamaha Retailers and their service personnel. It has been assumed that basic service procedures inherent to the industry, and more specifically Yamaha Products, are already known and understood by the users, and have therefore not been restated.

WARNING: Failure to follow appropriate service and safety procedures when servicing this product may result in personal injury, destruction of expensive components and failure of the product to perform as specified. For these reasons, we advise all Yamaha product owners that all service required should be performed by an authorized Yamaha Retailer or the appointed service representative.

IMPORTANT: The presentation or sale of this manual to any individual or firm does not constitute authorization, certification, recognition of any applicable technical capabilities, or establish a principal-agent relationship of any form.

The data provided is believed to be accurate and applicable to the unit(s) indicated on the cover. The research, engineering, and service departments of Yamaha are continually striving to improve Yamaha products. Modifications are, therefore, inevitable and changes in specification are subject to change without notice or obligation to retrofit. Should any discrepancy appear to exist, please contact the distributor's Service Division.

WARNING: Static discharges can destroy expensive components. Discharge any static electricity your body may have accumulated by grounding yourself to the ground buss in the unit (heavy gauge black wires connect to this buss).

IMPORTANT: Turn the unit OFF during disassembly and parts replacement. Recheck all work before you apply power to the unit.

WARNING: CHEMICAL CONTENT NOTICE!

The solder used in the production of this product contains LEAD. In addition, other electrical/electronic and/or plastic (where applicable) components may also contain traces of chemicals found by the California Health and Welfare Agency (and possibly other entities) to cause cancer and/or birth defects or other reproductive harm.

DO NOT PLACE SOLDER, ELECTRICAL/ELECTRONIC OR PLASTIC COMPONENTS IN YOUR MOUTH FOR ANY REASON WHAT SO EVER!

Avoid prolonged, unprotected contact between solder and your skin! When soldering, do not inhale solder fumes or expose eyes to solder/flux vapor!

If you come in contact with solder or components located inside the enclosure of this product, wash your hands before handling food.

■ WARNING

Components having special characteristics are marked Δ and must be replaced with parts having specification equal to those originally installed.

Δ 印の部品は、安全を維持するために重要な部品です。交換する場合は、安全のため必ず指定の部品をご使用下さい。

■ SPECIFICATIONS

● General Specifications P4500, P3200, P1600

		P4500	P3200	P1600
Power Output Level (Rated Power) 20 Hz~20 kHz 0.05%	8Ω/STEREO	460 W + 460 W	340 W + 340 W	160 W + 160 W
	4Ω/STEREO	620 W + 620 W	440 W + 440 W	200 W + 200 W
	8Ω/BRIDGE	1240 W	880 W	400 W
1 kHz 0.05%	8Ω/STEREO	520 W + 520 W	370 W + 370 W	175 W + 175 W
	4Ω/STEREO	720 W + 720 W	520 W + 520 W	230 W + 230 W
	8Ω/BRIDGE	1440 W	1040 W	460 W
1 kHz, 20 ms, no clip	2Ω/STEREO	1300 W + 1300 W	950 W + 950 W	350 W + 350 W
Power Bandwidth	Half Power, 0.1%	10 Hz~40 kHz		
Total Harmonic Distortion (THD + N) 20 Hz~20 kHz, Half Power	4~8Ω/STEREO 8Ω/BRIDGE	0.05%		
Frequency Response		10 Hz~50 kHz, +0, -1 dB		
Intermodulation distortion (IMD) 7 kHz: 60 Hz, 1: 4, Half Power	4~8Ω/STEREO 8Ω/BRIDGE	0.05%		
Damping factor	1 kHz, 8Ω	200		
Input Impedance		30 kΩ/Balance, 15 kΩ/Unbalanced		
Residual Noise Vol. min.	12.7 kHz LPF IHF-A network	-80 dB		
SN Ratio Input 600Ω shunt	12.7 kHz LPF IHF-A network	105 dB	104 dB	101 dB
Channel Separation	Half Power, 8Ω, Vol. max. input 600Ω shunt	65 dB, 20 Hz~20 kHz 75 dB, 1 kHz		
Slew Rate 8Ω full swing	STEREO BRIDGE	>30 V/μ sec >50 V/μ sec		
Sensitivity (Vol. max.) Rated Power into 8Ω		+5.7 dB	+4.2 dB	+1.2 dB
Voltage Gain (Vol. max.)		32.1 dB		
Controls	Front Panel Rear Panel	POWER switch (Push on/Push off) Volume (31 position dB calibrated) Mode switch (STEREO/BRIDGE/PARALLEL)		
Connectors	Input Output	Barrier strip terminal XLR-3-31 type 1/4-inch phone jack (balanced) 5-way binding posts		
Indicators	POWER TEMP PROTECTION (mute) CLIP OUTPUT SIGNAL	(heatsink temp ≥ 85°C) × 2 × 2		
Protection Circuits		POWER switch ON/OFF, Muting, DC detection TEMP (heatsink temp ≥ 95°C)		
PC limiter		RL ≤ 1Ω		
Fan Circuits		Low speed (50°C), Variable, High speed (70°C)		
Power Requirements	United States & Canada Europe Other	120 V, 60 Hz 230 V, 50 Hz 240 V, 50 Hz		
Power Consumption		500 W/650 VA	400 W/500 VA	200 W/250 VA
Dimensions (W × H × D)		480 × 103.5 × 455 mm		
Weight		16 kg	15 kg	12 kg
Accessories		Security cover		
Options		Ventilation panel: VP1		

0 dB=0.775 Vrms, Half Power=1/2 Power Output Level (Rated Power)

■ 総合仕様

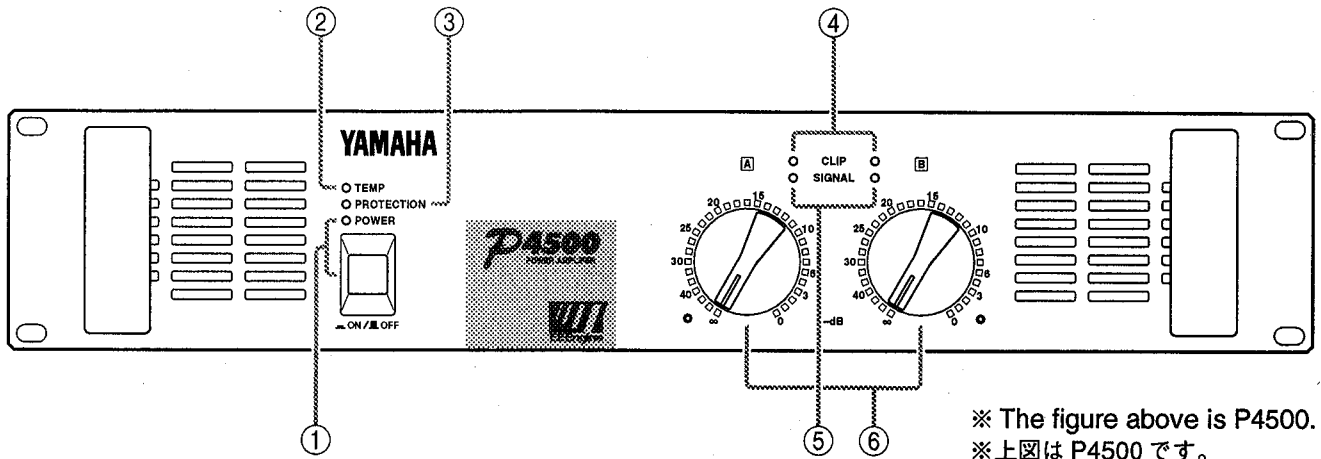
● 一般仕様 P4500, P3200, P1600

		P4500	P3200	P1600
出力レベル 20Hz~20kHz, 0.05%	8Ω/STEREO	450W+450W	320W+320W	160W+160W
	4Ω/STEREO	600W+600W	430W+430W	200W+200W
	8Ω/BRIDGE	1200W	860W	400W
1kHz, 0.05%	8Ω/STEREO	490W+490W	350W+350W	175W+175W
	4Ω/STEREO	680W+680W	480W+480W	230W+230W
	8Ω/BRIDGE	1360W	960W	460W
1kHz, 20ms, ノンクリップ	2Ω/STEREO	1300W+1300W	950W+950W	350W+350W
出力帯域幅	Half Power, 0.1%	10Hz~40kHz		
全高調波ひずみ率 (THD+N) 20Hz~20kHz, Half Power	4~8Ω/STEREO	0.05%		
	8Ω/BRIDGE			
ライン入力周波数特性		10Hz~50kHz, +0, -1dB		
混変調ひずみ率 (IMD) 7kHz: 60Hz, 1: 4, Half Power	4~8Ω/STEREO	0.05%		
	8Ω/BRIDGE			
ダンピングファクター	1kHz, 8Ω	200		
入力インピーダンス		30kΩ/バランス型, 15kΩ/アンバランス型		
残留ノイズ ボリューム min.	12.7kHz LPF IHF-A network	-75dB		
SN比 入力 600Ω シャント	12.7kHz LPF	105dB	104dB	101dB
	IHF-A network			
チャンネル間セパレーション Half Power, 8Ω, ボリュームmax. 入力 600Ω シャント		65dB, 20Hz~20kHz 75dB, 1kHz		
スルーレート 8Ω フルスイング	STEREO	30V/μs以上		
	BRIDGE	50V/μs以上		
センシティブリティ (ボリューム max.) Rated Power into 8Ω		+5.7dB	+4.2dB	+1.2dB
ボルテージゲイン (ボリューム max.)		32.1dB		
コントロール	フロントパネル	POWERスイッチ ボリューム (31ポジション dBコントロール)		
	リアパネル	モードスイッチ (STEREO/BRIDGE/PARALLEL)		
コネクター	INPUT	バリア・ストリップ端子 XLR-3-31タイプ 1/4インチ フォンジャック (バランス型)		
	OUTPUT	5ウェイバインディング・ポスト		
インジケータ	POWER	(ヒートシンク温度 ≥ 85°C)		
	TEMP			
	PROTECTION (ミュート)			
	CLIP			
SIGNAL	× 2			
	× 2			
プロテクション		Powerスイッチ オン/オフ、ミュート、DC検出 TEMP (ヒートシンク温度 ≥ 95°C)		
PC リミッター		RL ≤ 1Ω		
冷却ファンスピード		低速 (50°C) - 可変 - 高速 (70°C)		
電源		100V, 50/60Hz		
消費電力		400W	350W	170W
最大外形寸法 (W × H × D)		480 × 103.5 × 455mm, パネル高さ: 88mm, パネル奥行: 405.6mm		
重量		16kg	15kg	12kg
付属品		セキュリティカバー		
オプション		ベンチレーションパネル: VP1		

0dB=0.775 Vrms, Half Power=1/2 Power Output Level (Rated Power)

■ PANEL LAYOUT(パネルレイアウト)

● Front Panel(フロントパネル)

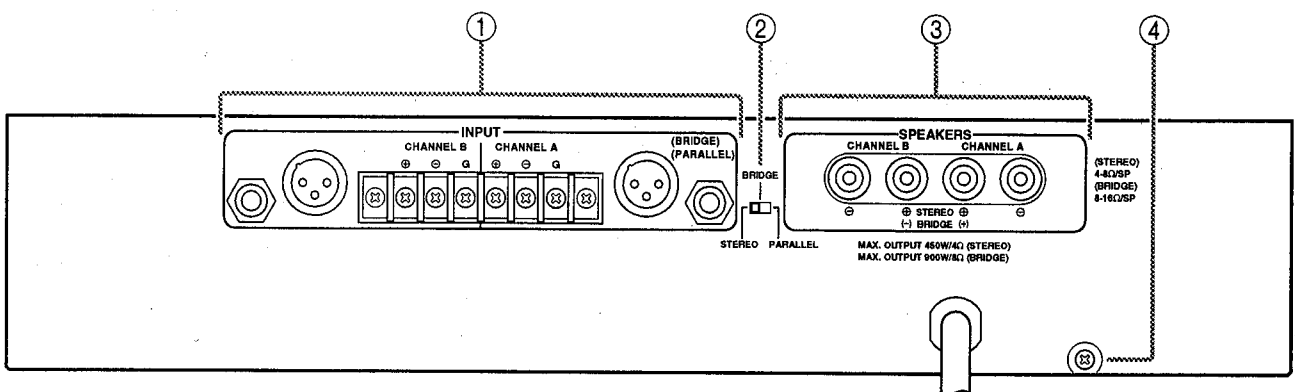


※ The figure above is P4500.
 ※ 上図は P4500 です。

- ① POWER switch & indicator
- ② TEMP indicator
- ③ PROTECTION indicator

- ④ CLIP indicators
- ⑤ SIGNAL indicators
- ⑥ Volume controls

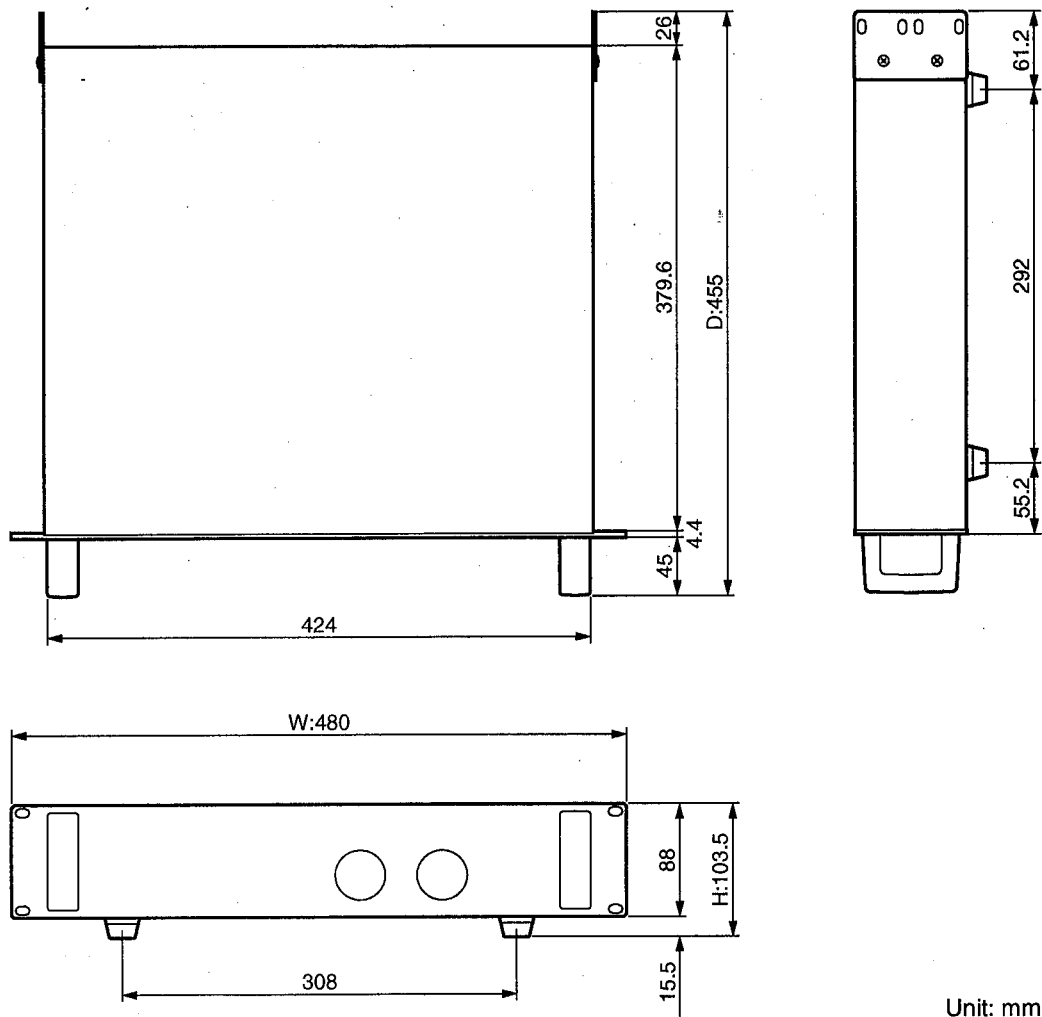
● Rear Panel (リアパネル)



- ① INPUT terminals (CHANNEL A, B)
- ② STEREO/BRIDGE/PARALLEL switch

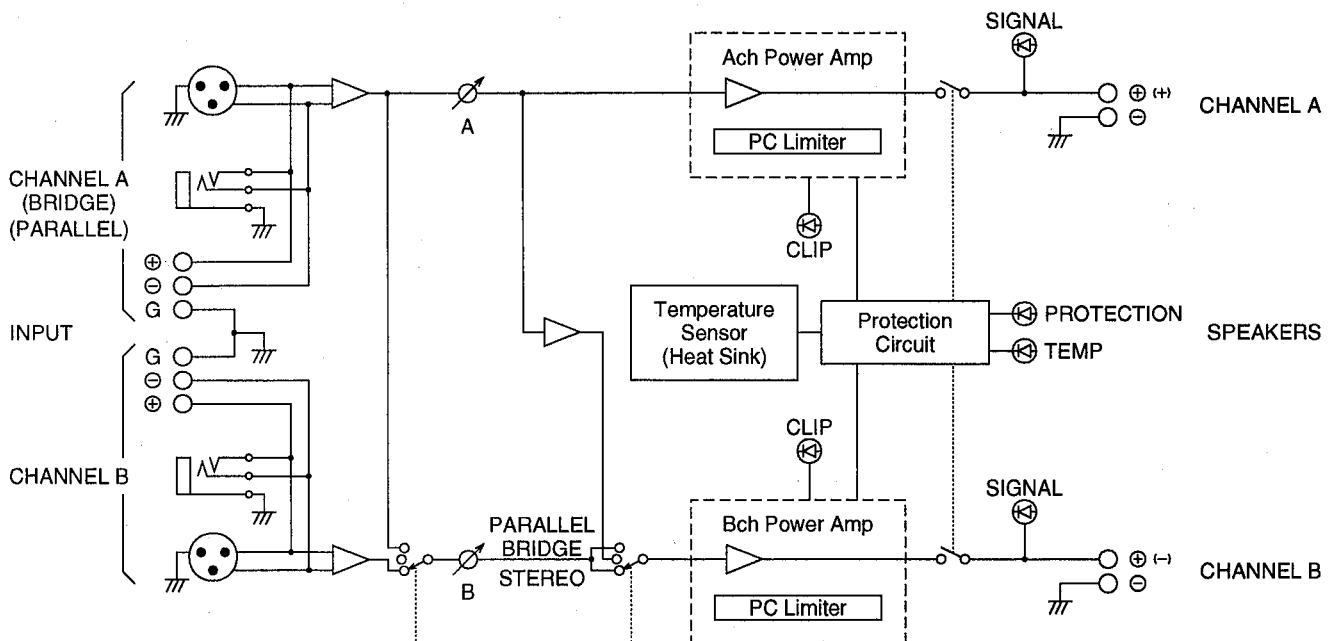
- ③ SPEAKER terminals
- ④ GND terminal

■ DIMENSIONS (寸法図)



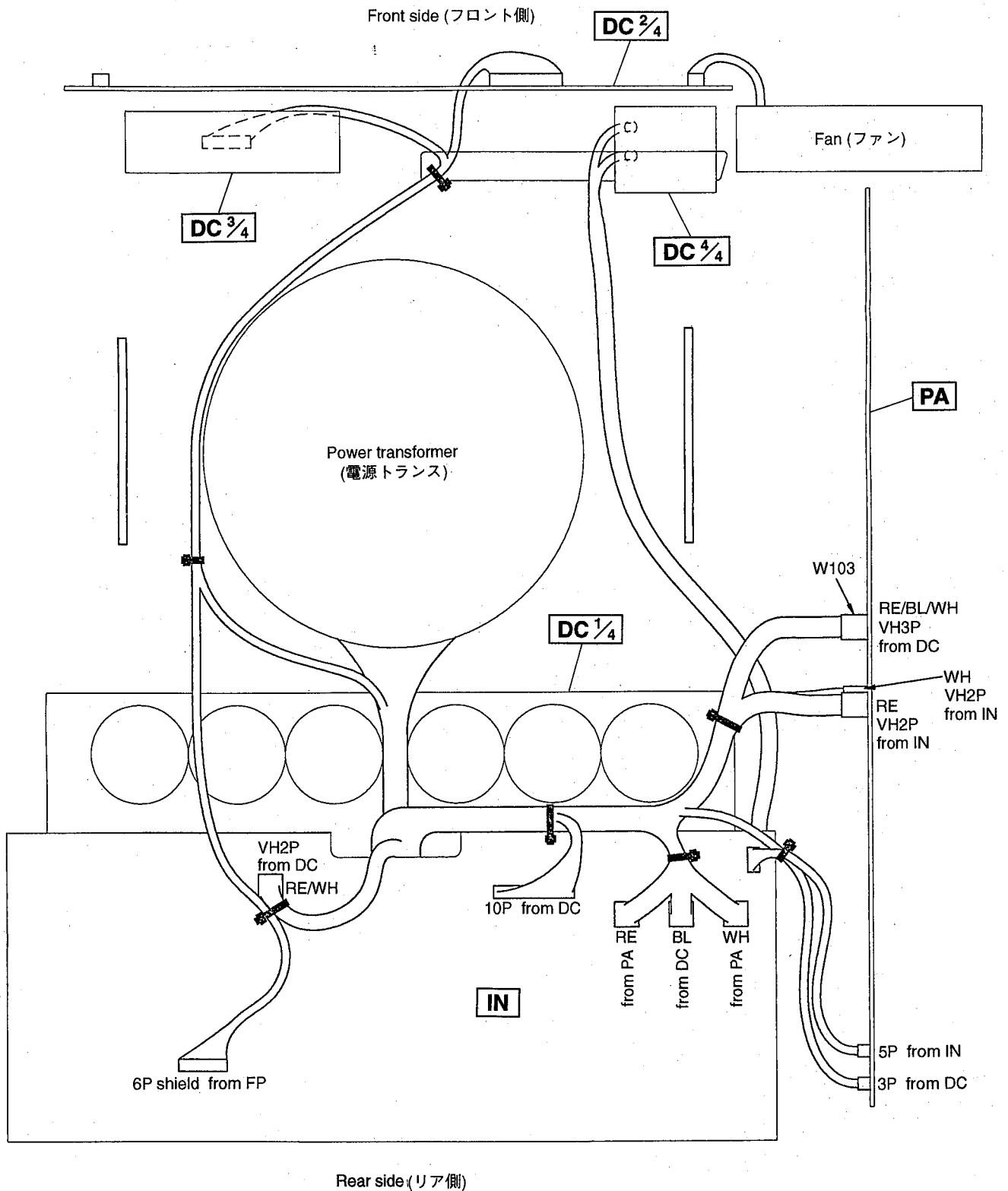
Unit: mm

■ BLOCK DIAGRAM (ブロックダイアグラム)

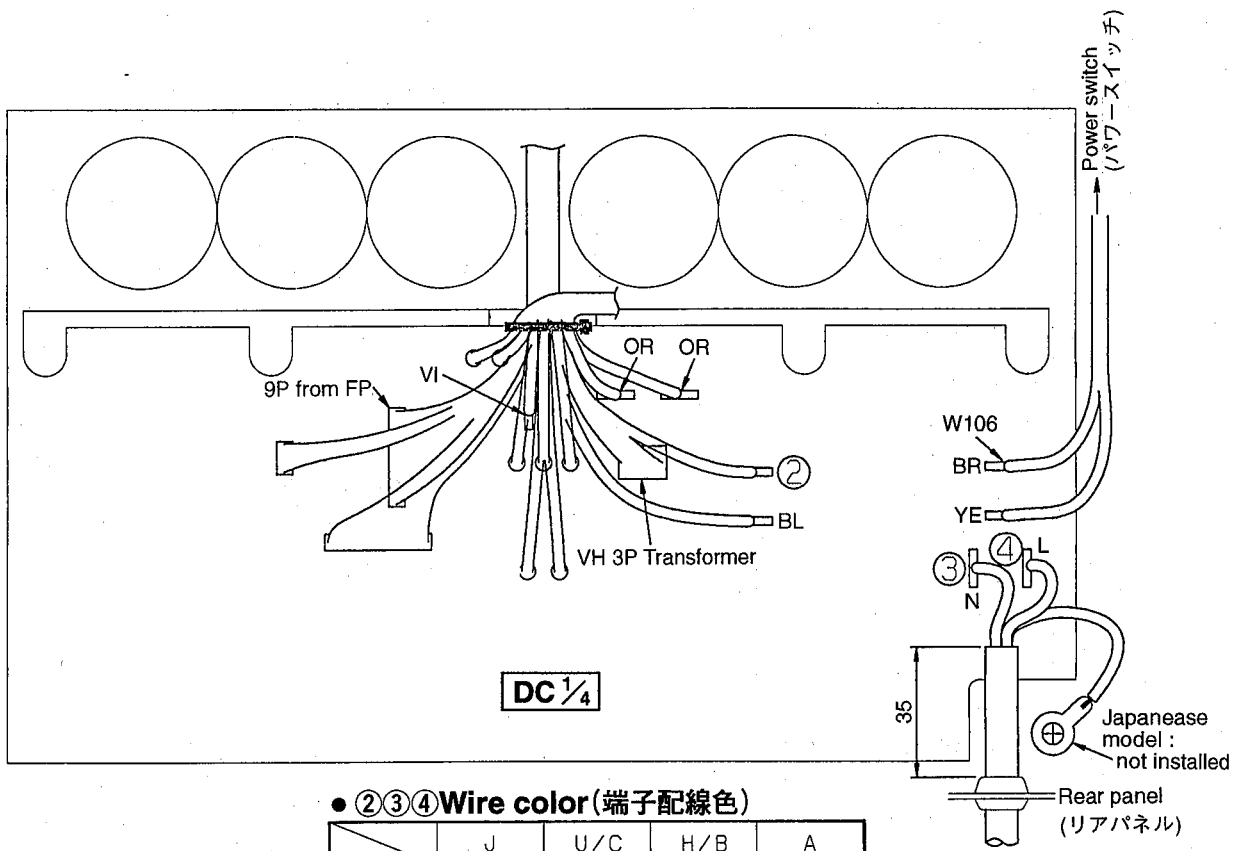


■ CIRCUIT BOARD LAYOUT & WIRING (ユニットレイアウトと基板結線図)

● P1600 Circuit Board Wiring



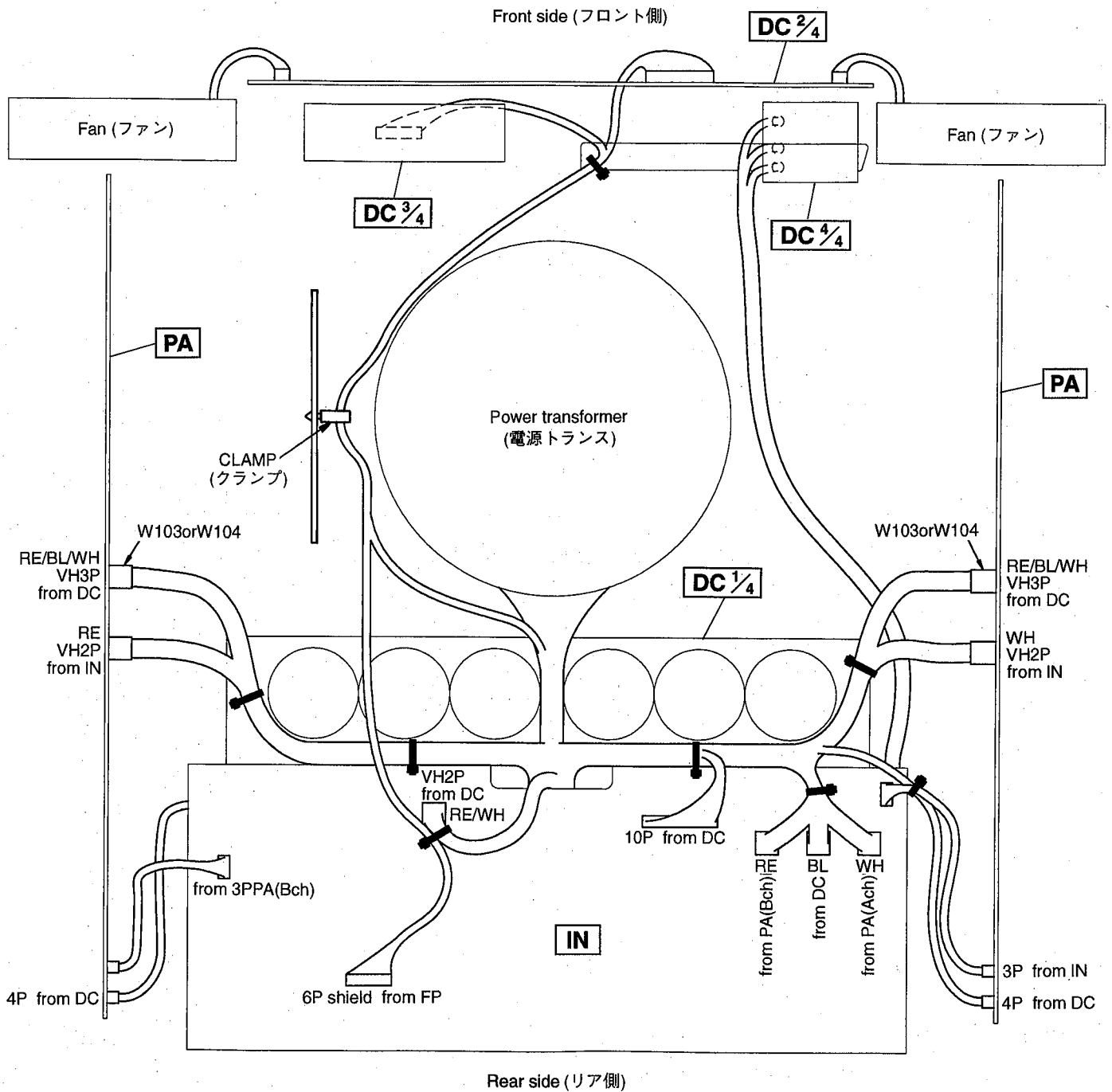
● DC Circuit Board (P1600)



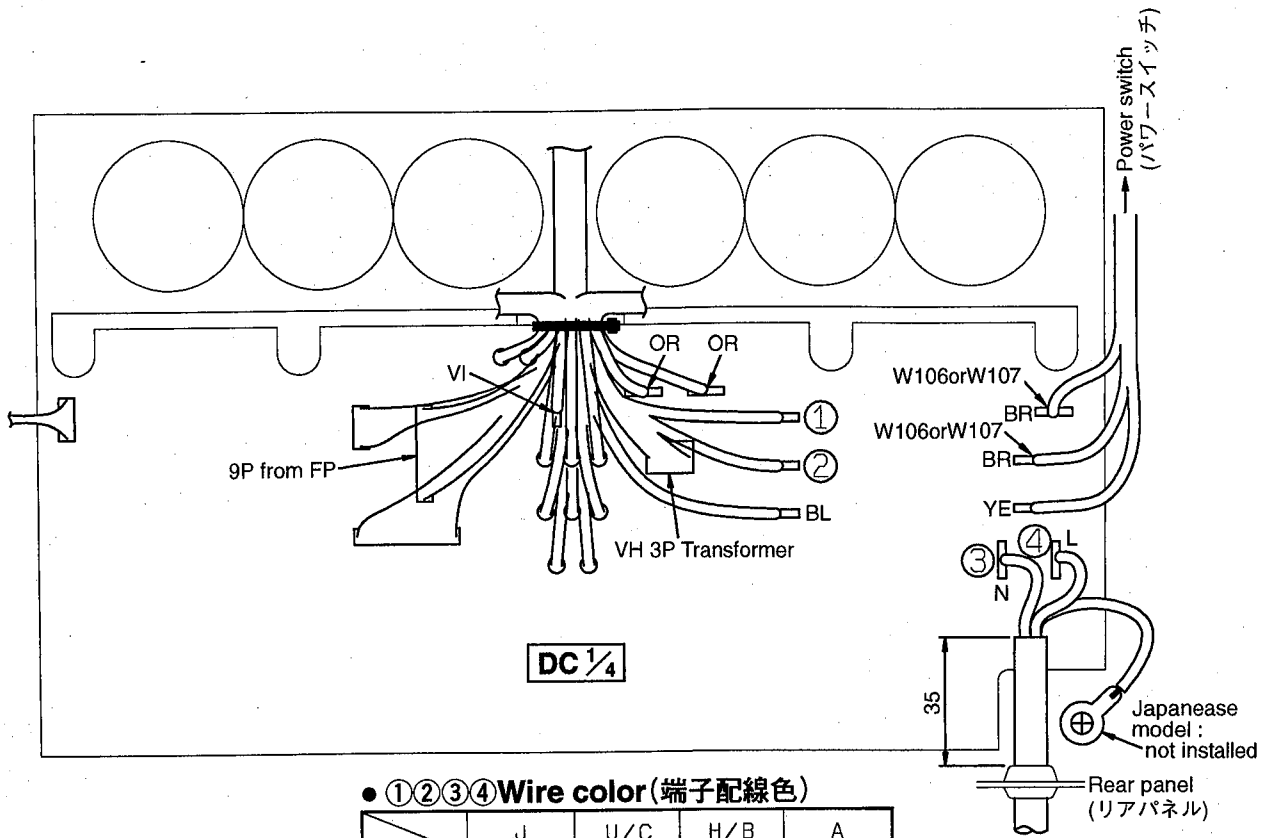
● ②③④ Wire color (端子配線色)

	J	U/C	H/B	A
②	YE	BR	BE	RE
③	WH	WH	BE	BE
④	BL	BL	BR	BR

● P3200/P4500 Circuit Board Wiring



● DC Circuit Board (P4500/P3200)



● ①②③④ Wire color (端子配線色)

	J	U/C	H/B	A
① ②	YE	BR	BE	RE
③	WH	WH	BE	BE
④	BL	BL	BR	BR

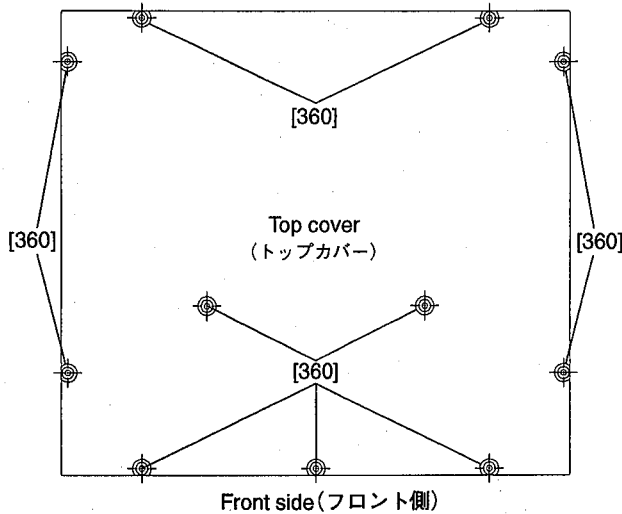
DISASSEMBLY PROCEDURE (分解手順)

1. Top Cover

1-1 Remove the eleven (11) screws marked [360]. Then the top cover can be removed. (Fig. 1)

2. Panel Assembly

2-1 Remove the six (6) screws marked [280], and the four (4) screws marked [270]. Then the panel assembly can be removed. (Fig. 2, Fig. 3)



[360]: Bind Head Tapping Screw-B 4.0X8
MFZN2BL (EG340190) + バインド B タイト

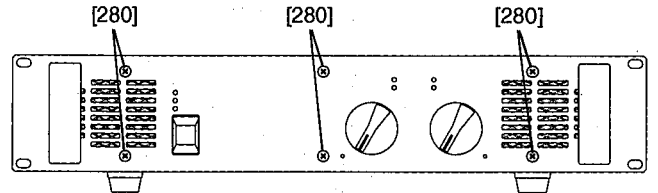
(Fig.1)

1. トップカバー

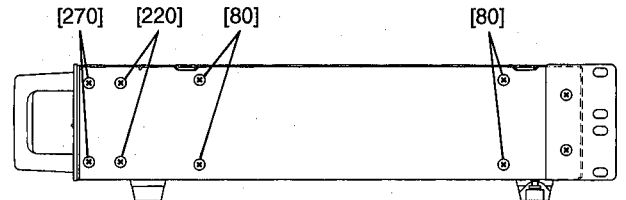
1-1 [360]のネジ 11 本を外し、トップカバーを外します。(図 1)

2. パネル Ass'y

2-1 [280]のネジ 6 本と[270]のネジ 4 本を外し、パネル Ass'y を外します。(図 2、図 3)



[280]: Oval Head Screw 4.0X8
MFZN2BL (VS153600) + 丸皿小ネジ
(Fig.2)



[80]: Bonding Tapping Screw-B 4.0X8
MFZN2BL (VR779900) ボンディング B タイト
[220]: Bind Head Tapping Screw-B 4.0X8
MFZN2BL (EG340190) + バインド B タイト
[270]: Bind Head Tapping Screw-B 4.0X8
MFZN2BL (EG340190) + バインド B タイト

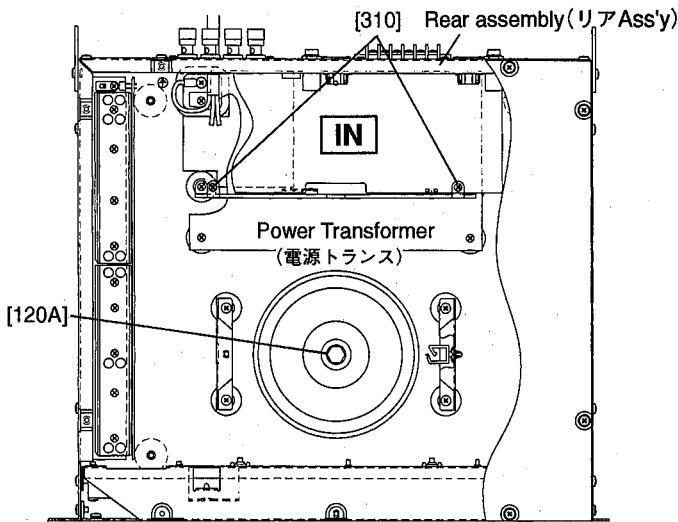
(Fig.3)

3. Rear Assembly

3-1 Remove the top cover. (See procedure 1)
3-2 Remove the two (2) screws marked [310] and the six (6) screws marked [300]. Then the rear assembly can be removed. (Fig. 4, Fig. 5)

4. Power Transformer

4-1 Remove the top cover. (See procedure 1)
4-2 Remove the rear assembly. (See procedure 3)
4-3 Remove the hexagonal bolt marked [120A]. Then the power transformer can be removed. (Fig. 4)



[310]: Bind Head Tapping Screw-B 3.0X8
MFZN2BL (EP600190) + バインド B タイト

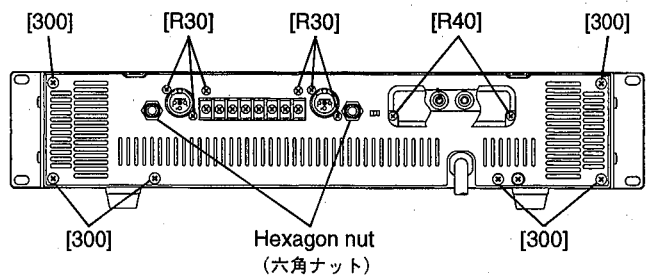
(Fig.4)

3. リア Ass'y

3-1 トップカバーを外します。(1 項参照)
3-2 [310]のネジ 2 本と[300]のネジ 6 本を外し、リア Ass'y を外します。(図 4、図 5)

4. 電源トランス

4-1 トップカバーを外します。(1 項参照)
4-2 リア Ass'y を外します。(3 項参照)
4-3 [120A]の六角ボルトを外し、電源トランスを外します。(図 4)



[300]: Bonding Tapping Screw-B 4.0X8
MFZN2BL (VR779900) ボンディング B タイト
[R30]: Bonding Tapping Screw-B 3.0X8
MFZN2BL (VN413300) ボンディング B タイト
[R40]: Bind Head Tapping Screw-B 3.0X12
MFZN2BL (VQ074600) + バインド B タイト

(Fig.5)

5. IN Circuit Board

- 5-1 Remove the top cover. (See procedure 1)
- 5-2 Remove the rear assembly. (See procedure 3)
- 5-3 Remove the six (6) screws marked [R30], the two (2) screws marked [R40] and the two (2) hexagonal nuts marked [A]. Then the IN Circuit Board can be removed. (Fig. 5)

6. DC 1/4 Circuit Board

- 6-1 Remove the top cover. (See procedure 1)
- 6-2 Remove the rear assembly. (See procedure 3)
- 6-3 Remove the six (6) screws marked [100] and the two (2) screws marked [110]. Then the DC 1/4 circuit board can be removed. (Fig. 6)

7. DC 2/4 Circuit Board

- 7-1 Remove the top cover. (See procedure 1)
- 7-2 Remove the panel assembly. (See procedure 2)
- 7-3 Remove the plastic rivet marked [190]. (Fig. 7)
- 7-4 Press one of the four (4) heads of the circuit board supports marked [170], and gently pull the DC 2/4 circuit board. Repeat this procedure with the remaining heads until you can remove the DC 2/4 circuit board. (Fig. 7)

8. DC 3/4 Circuit Board

- 8-1 Remove the top cover. (See procedure 1)
- 8-2 Remove the panel assembly. (See procedure 3)
- 8-3 Remove the DC 2/4 circuit board. (See procedure 7)
- 8-4 Remove the two (2) attenuation knobs marked [240]. (Fig. 7)
- 8-5 Remove the four (4) screws marked [180]. Then the angle bracket with the DC 3/4 circuit board can be removed. (Fig. 7)
- 8-6 Remove the two (2) hexagonal nuts marked [VR101A] and [VA102A]. Then the DC 3/4 circuit board can be removed. (Fig. 7)

5. IN シート

- 5-1 トップカバーを外します。(1項参照)
- 5-2 リア Ass'y を外します。(3項参照)
- 5-3 [R30]のネジ6本と[R40]のネジ2本と[A]の六角ナット2本を外し、IN シートを外します。(図5)

6. DC 1/4 シート

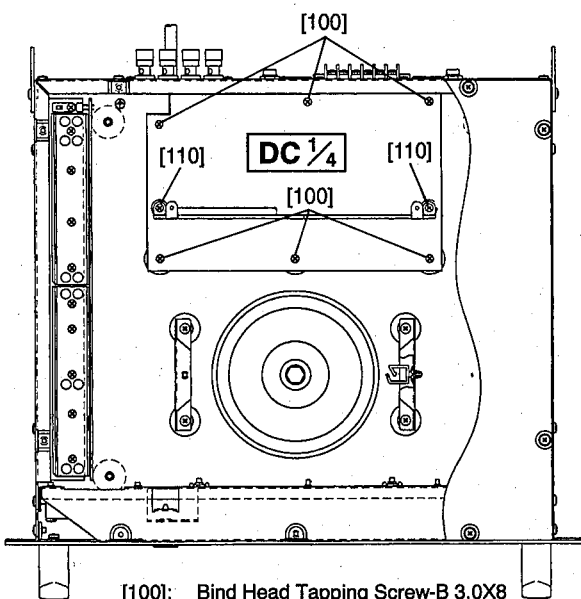
- 6-1 トップカバーを外します。(1項参照)
- 6-2 リア Ass'y を外します。(3項参照)
- 6-3 [100]のネジ6本と[110]のネジ2本を外し、DC 1/4 シートを外します。(図6)

7. DC 2/4 シート

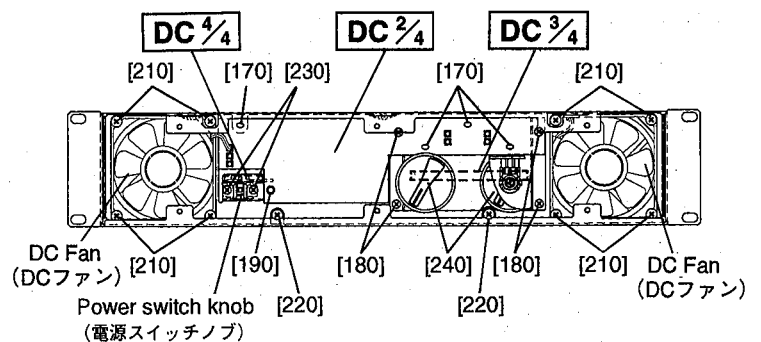
- 7-1 トップカバーを外します。(1項参照)
- 7-2 パネル Ass'y を外します。(2項参照)
- 7-3 [190]のプラリベットを外します。(図7)
- 7-4 [170]のシートサポートの頭を掴んで DC 2/4 シートを軽く引いて1つずつ抜き取り、4か所抜き取って DC 2/4 シートを外します。(図7)

8. DC 3/4 シート

- 8-1 トップカバーを外します。(1項参照)
- 8-2 パネル Ass'y を外します。(3項参照)
- 8-3 DC 2/4 シートを外します。(7項参照)
- 8-4 [240]のアッティネーターノブを2個外します。(図7)
- 8-5 [180]のネジ4本を外し、DC 3/4 シートの付いたアッティネーターアングルを外します。(図7)
- 8-6 [VR101A]と[VR102A]の六角ナットを外し、DC 3/4 シートを外します。(図7)



[100]: Bind Head Tapping Screw-B 3.0X8 MFZN2BL (EP600190) + バインド B タイト
 [110]: Bind Head Tapping Screw-B 3.0X12 MFZN2BL (VQ074600) + バインド B タイト



[180]: Bind Head Tapping Screw-B 3.0X8 MFZN2BL (EP600190) + バインド B タイト
 [210]: Bind Head Screw 4.0X30 MFZN2Y (VQ866300) + バインド小ネジ
 [220]: Bind Head Tapping Screw-B 4.0X8 MFZN2BL (EG340190) + バインド B タイト
 [230]: Bind Head Screw 3.0X8 MFZN2BL (VB659000) + バインド小ネジ

(Fig.7)

9. DC 4/4 Circuit Board

- 9-1 Remove the top cover. (See procedure 1)
- 9-2 Remove the panel assembly. (See procedure 3)
- 9-3 Remove the power switch knob. (Fig. 7)
- 9-4 Remove the two (2) screws marked [230]. Then the DC 4/4 circuit board can be removed. (Fig. 7)

10. PA Unit

- 10-1 Remove the top cover. (See procedure 1)
- 10-2 Remove the four (4) screws marked [80]. Then the one of the PA units can be removed. (Fig. 3)

*Each model of P4500 and P3200 has two (2) PA units, but the model P1600 has the only one (1) PA unit at the left side.

11. PA Circuit Board

- 11-1 Remove the top cover. (See procedure 1)
- 11-2 Remove the PA unit. (See procedure 10)
- 11-3 Remove the eighteen (18) screws marked [PA80], the two (2) screws marked [PA100] and the six (6) screws marked [PA40]. Then the PA circuit board can be removed. (Fig. 8)

9. DC 4/4 シート

- 9-1 トップカバーを外します。(1項参照)
- 9-2 パネル Ass'yを外します。(3項参照)
- 9-3 パワースイッチノブを外します。(図7)
- 9-4 [230]のネジ2本を外し、DC 4/4 シートを外します。(図7)

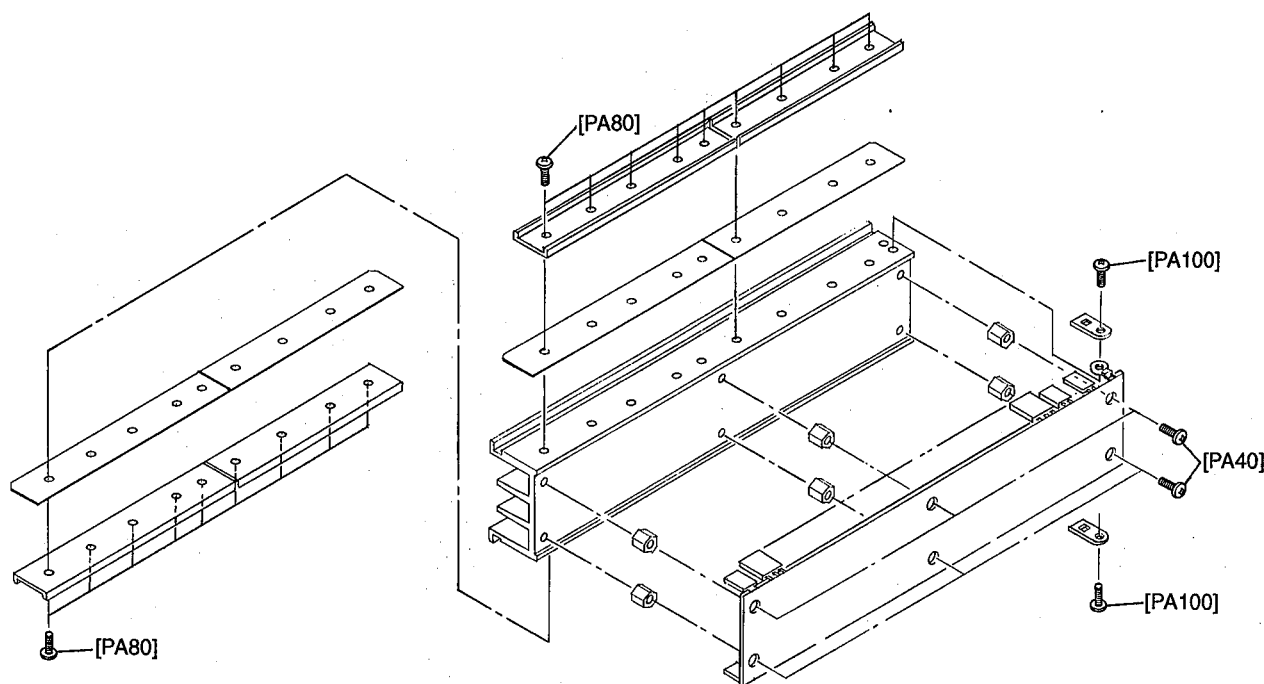
10. PA ユニット

- 10-1 トップカバーを外します。(1項参照)
- 10-2 [80]のネジ4本を外し、PAユニットを外します。(図3)

*P4500 と P3200 には PA ユニットが 2 セット付いていますが、P1600 には左側に 1 セットだけ付いています。

11. PA シート

- 11-1 トップカバーを外します。(1項参照)
- 11-2 PA ユニットを外します(10項参照)
- 11-3 [PA80]のネジ 18 本と[PA100]のネジ 2 本と [PA40]のネジ 6 本を外し、PA シートを外します。(図8)



[PA40]: Bind Head Screw SP 3.0X8 MFZN2Y (EG330290) + バインド小ネジ
 [PA80]: Bind Head Tapping Screw-B 3.0X12 MFZN2BL (VQ074600) + バインド B タイト
 [PA100]: Bind Head Tapping Screw-B 3.0X12 MFZN2BL (VQ074600) + バインド B タイト

(Fig.8)

12. DC Fan

- 12-1 Remove the top cover. (See procedure 1)
- 12-2 Remove the panel assembly. (See procedure 3)
- 12-3 Remove the six (6) screws marked [220]. Then the front chassis with the DC fans and another parts can be removed. (Fig. 3, Fig. 7)
- 12-4 Remove the four (4) screws marked [210] at one DC fan. Then the DC fan can be removed. The other one can be removed in the same manner. (Fig. 7)

*Each model of P4500 and P3200 has two (2) DC fans, but the model P1600 has the one (1) DC fan on the left side only.

12. DC ファン

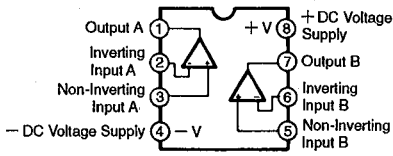
- 12-1 トップカバーを外します。(1項参照)
- 12-2 パネル Ass'yを外します。(3項参照)
- 12-3 [220]のネジ6本を外し、DCファンとその他の部品の付いたフロントシャーシーを外します。(図3、図7)

12-4 [210]のネジ4本を外し、片方のDCファンを外します。もう一方も同様にして外せます。(図7)

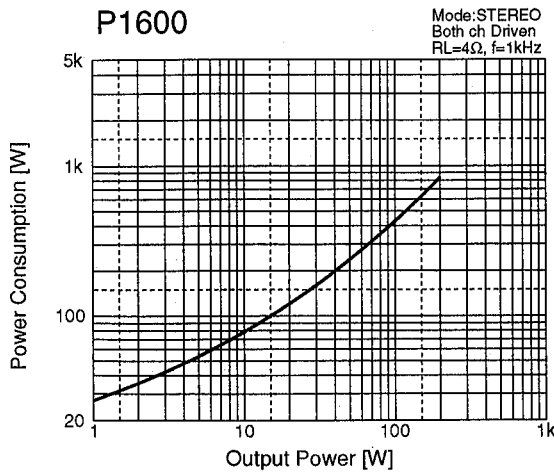
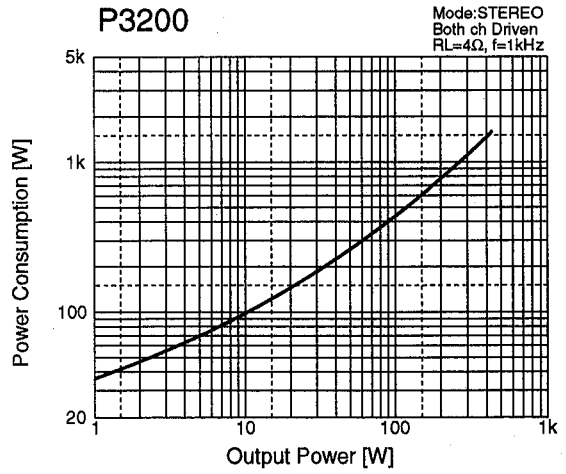
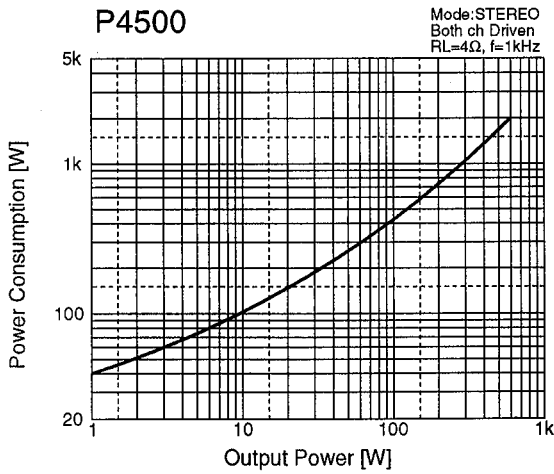
*P4500 と P3200 には DC ファンが 2 セット付いていますが、P1600 には左側に 1 セットだけ付いています。

■ IC BLOCK DIAGRAM (ICブロック図)

- M5238AP (XM085A00)
Dual Operational Amplifier

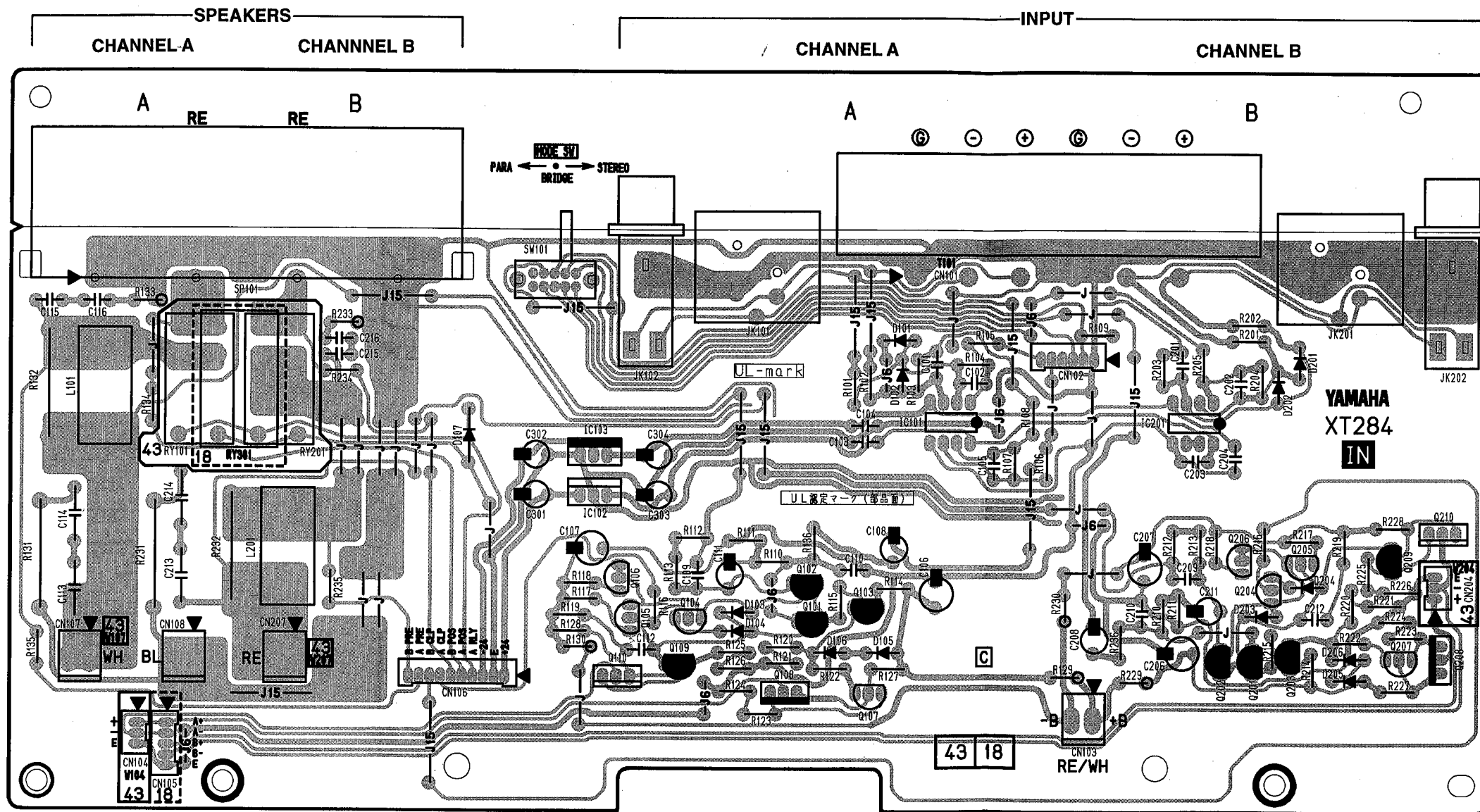


■ POWER CONSUMPTION vs OUTPUT POWER GRAPH
(消費電力対出力特性図)



■ CIRCUIT BOARD (シート基板図)

● IN Circuit Board

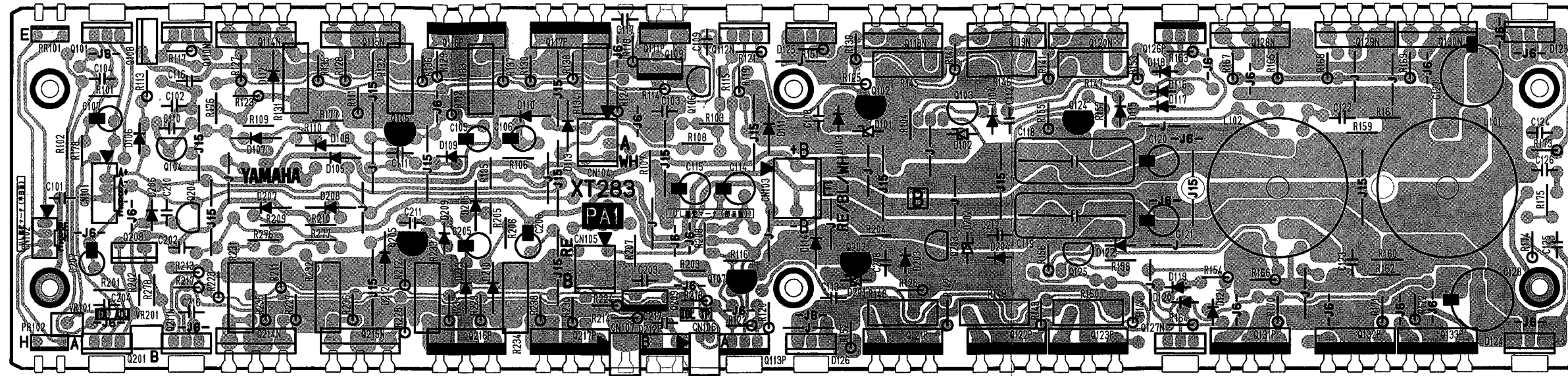


Component side (部品側)

Note : See parts list for details of circuit board component parts.

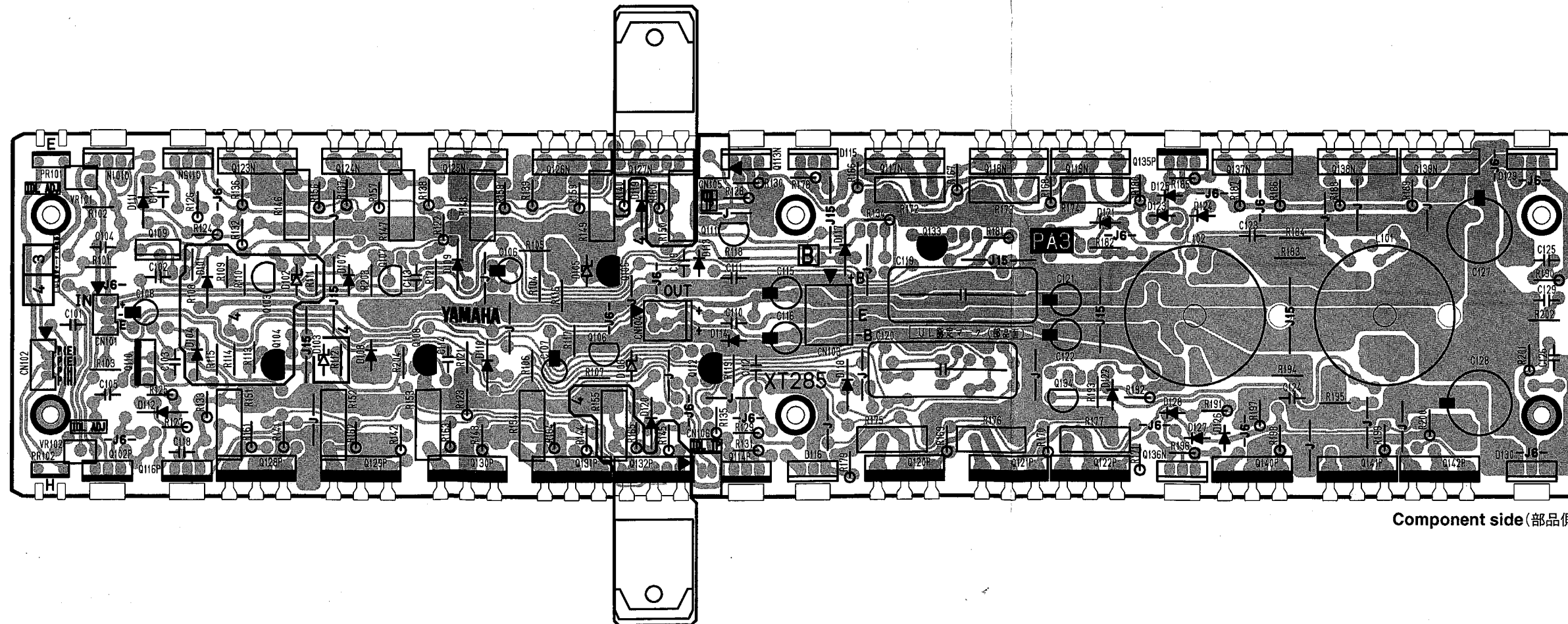
注 : シートの部品詳細はパーツリストをご参照下さい。

● PA Circuit Board (P1600)



Component side (部品側)

● PA Circuit Board (P3200, P4500)

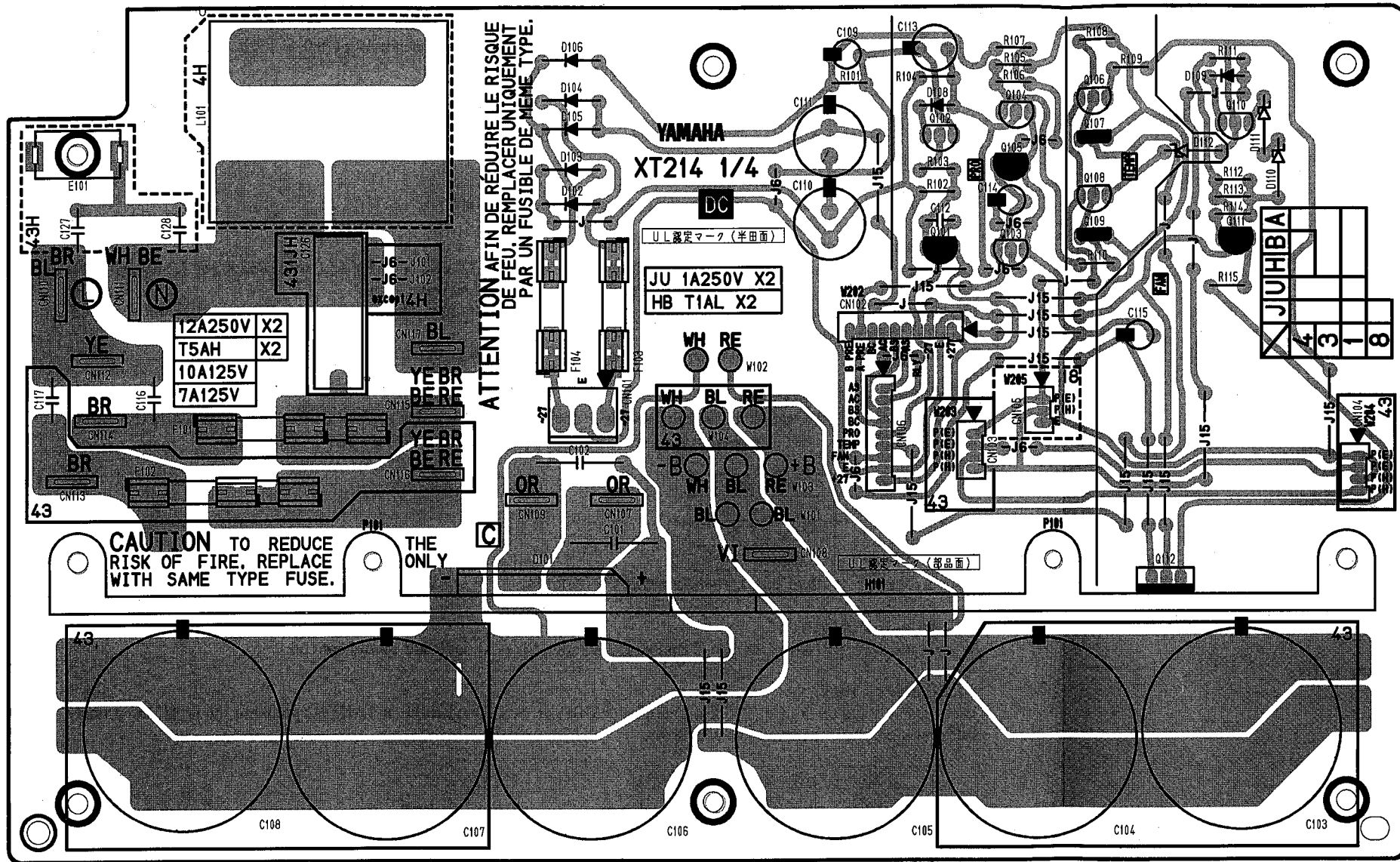


Component side (部品側)

Note : See parts list for details of circuit board component parts.

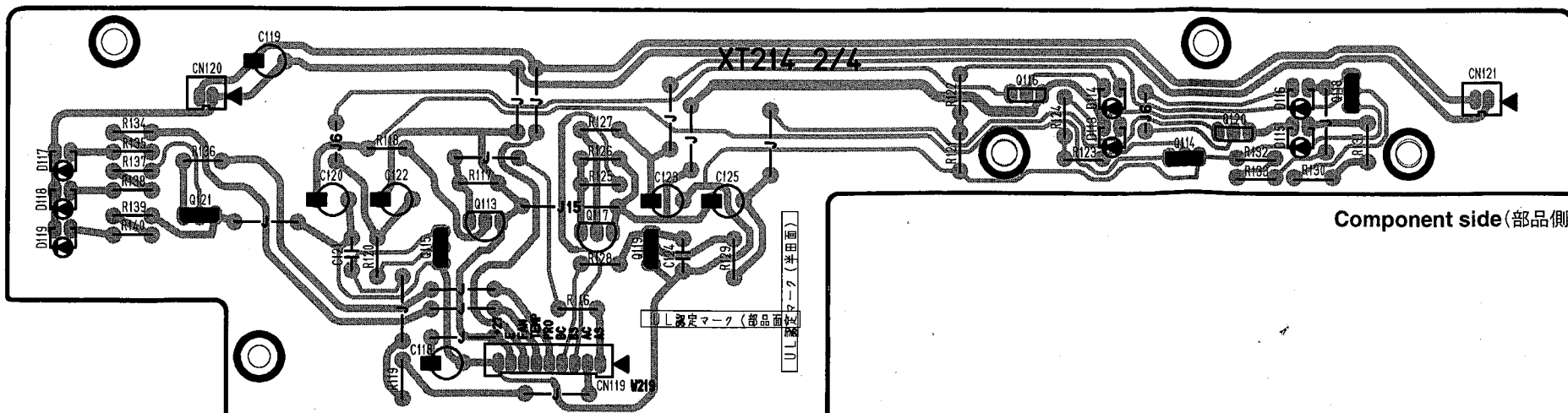
注 : シートの部品詳細はパーツリストをご参照下さい。

● DC 1/4 Circuit Board



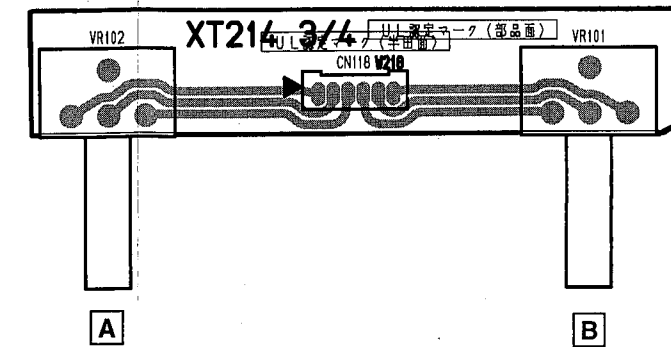
Component side (部品側)

● DC 2/4 Circuit Board



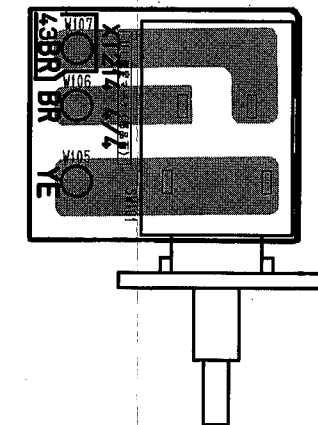
Component side (部品側)

● DC 3/4 Circuit Board



Component side (部品側)

● DC 4/4 Circuit Board



POWER

Component side (部品側)

Note : See parts list for details of circuit board component parts.

注 : シートの部品詳細はパーツリストをご参照下さい。

INSPECTIONS

A STEREO and PARALLEL Operation

Before performing any following adjustments, set the unit as follows:

1. Set the ATTENUATIONS at "0".
2. Input terminal: Cannon connector pin 2 is HOT, pins 1 and 3 GROUND.
3. MODE switch: STEREO
4. Output terminal: RL = 4 ohm/more than 500 W
5. Others: Both Channel operation is required, if no particular indication.

Adjustment Specifications

1. Fan Test

When turning on the power switch, confirm that both fans of right and left sides regulate at low speed. (Model P1600: left side only) And also confirm that if the CN102 on the PA circuit board of the A channel is disconnected, both fans rotate at high speed and the TEMP indicator lights on. After this test, connect the CN 102 as it was.

2. Muting Test

After applying power to the unit, the PROTECTION indicator should remain ON 2.5 \pm 1 seconds to indicate that the protection circuitry is operating and the indicator should go out. NO signal is output while this indicator lit.

3. Idle Current Test

Connect the input terminal to the GROUND and adjust the VR102 (A channel) and VR101 (B channel) that the DC voltage Vb between the pin 1 and pin 2 of the CN106 (A channel) and the CN105 (B channel) should be 1.0 \pm 0.2 mV. (Model P1600: Connect the input terminal to the GROUND and adjust the VR101 (A channel) and VR201 (B channel) that the DC voltage Vb between the pin 1 and pin 2 of the CN106 (A channel) and the CN107 (B channel) should be 1.0 \pm 0.2 mV.) And After finishing all tests, adjust the Vb again to 1.0 \pm 0.2 mV.

4. Input Terminal DC offset

Connect the input terminal to the GROUND and check that the DC voltage Vdc of the output terminal should be 0 \pm 75 mV.

5. Gain Test

Check that the OUTPUT should be +22.1 \pm 0.5 dBu, when a sine wave of 1 kHz at -10 dBu is applied to the INPUT. This test should be performed on PARALLEL operation.

6. Frequency Response Test

When a sine wave of 20 Hz, 1 kHz or 20 kHz at -10 dBu is applied to the INPUT, check that the output is 0 \pm 0.5 dB at 20 Hz and -0.5 \pm 0.5 dB at 20kHz taking the 1 kHz as a reference.

7. Harmonic Distortion Test

When a high quality sine wave is applied at 20 Hz, 1 kHz or 20 kHz, the harmonic distortion should be as follows:

Power output level (4 ohm)		THD		
		20 Hz	1 kHz	20 kHz
P4500	600 W + 600 W (+36.0 dBu/ch)	\leq 0.1 %	\leq 0.05 %	\leq 0.1 %
P3200	430 W + 430 W (+34.6 dBu/ch)			
P1600	200 W + 200 W (+31.2 dBu/ch)			

※ This test should have been finished within 30 minutes.

8. Channel Separation Test

- 8-1 Apply a -5 dBu, 20kHz sine wave into the channel A.
- 8-2 Short the input for the channel B with a 600 ohm load.
- 8-3 Set the output of the channel A at a reference of 0 dB.
- 8-4 If channel B attenuator is set to the same as channel A, channel B output should be less than -65 dB. (RL = 8 ohm)

9. Noise Test

- 9-1 Set the input attenuator to "0".
- 9-2 Short the input with a 600 ohm load.
- 9-3 Measure at the output, noise level should be less than -65 dBm.
- 9-4 Set the input attenuator to " ∞ ", noise level should be less than -70 dBu.

※ Be careful that it is not affected by noise induced during this inspection.

10. Stability Test

When a rectangular wave 10 kHz, -10 dBu is applied to the input and a capacitor 10 pF~0.47 μF is connected with 4 ohm load resistor in parallel, the overshoot and the ringing should be as follows.

- Overshoot: $V_p/V_o \leq 1.8$
- Ringing: less than 5 waves

Next, when the 4 ohm load resistor is removed and the load is the capacitor 10pF~0.47 μF only, the overshoot and the ringing should be as follows.

- Overshoot: $V_p/V_o \leq 2.5$
- Ringing: fade away in less than 7 waves and no oscillation

11. Protection Circuitry Test

Check that the relay does not work when you apply a sine wave of +7.0 dBu (P4500), +5.6 dBu (P3200) or 2.2 dBu (P1600) at 10 Hz to the input and adjust the input level to obtain a clipped output wave form.

Next, check that when you apply a sine wave of 1 Hz, 0 dBu to the input, the signal is cut off within 2 seconds, and the PROTECTION indicator should light up.

Finally, check that when no signal is applied, the amplifier would resume to normal operation within 10 seconds.

12. PC Limiter Circuitry Test

Check that the OUTPUT should be as follows with an oscilloscope when a sine wave of 0 dBu (P4500), -1.5 dBu (P3200) or -4.5 dBu (P1600) at 1 kHz is applied to the INPUT and the output is shorted with a 1 ohm load ($\pm 5\%$).

Model	Output level
P4500	$V_{p-p} \leq 60V$
P3200	$V_{p-p} \leq 40V$
P1600	$V_{p-p} \leq 34V$

※This test should have been finished within 30 minutes.

13. Signal Indicator Test

When a sine wave of 1 kHz, -23 dBu is applied to the input, SIGNAL indicator should light up.

14. Efficiency Test

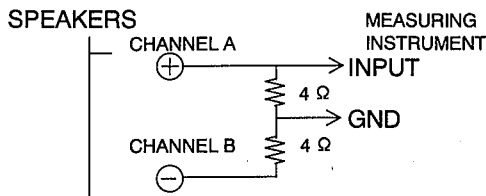
When a sine wave of -5 dBu (P4500), -6.5 dBu (P3200) or -9.5 dBu (P1600) at 1 kHz is applied to the input, the primary side power consumption should be as follows.

Model	Power Consumption
P4500	350 ± 50 W
P3200	250 ± 50 W
P1600	145 ± 30 W

B BRIDGE Operation

Before performing any following adjustments, set the unit as follows:

1. Set the ATTENUATIONS at "0".
2. Input terminal: Cannon connector pin 2 is HOT, pins 1 and 3 GROUND.
3. MODE switch: BRIDGE
4. Output terminal: (A ch+, B ch+) RL = 4 + 4 ohm/more than 500 W
5. Connection for measuring: Measure the output at the point as shown below.



Adjustment Specifications

1. Gain Test

Check that the OUTPUT should be +22.1 ± 1.0 dBu, when asine wave of 1 kHz at -10 dBu is applied to the INPUT.

2. Frequency Response Test

When a sine wave of 20 Hz, 1 kHz or 20 kHz at -10 dBu is applied to the INPUT, check that the output is 0 ± 0.5 dB at 20 Hz and -0.5 ± 0.5 dB at 20kHz taking the 1 kHz as a reference.

3. Harmonic Distortion Test

When a high quality sine wave is applied at 20 Hz, 1 kHz or 20 kHz, the harmonic distortion should be as follows:

Power output level (4 ohm)		THD		
		20 Hz	1 kHz	20 kHz
P4500	+36.0 dBu	≤ 0.1 %	≤ 0.05 %	≤ 0.1 %
P3200	+34.6 dBu			
P1600	+31.2 dBu			

※This test should have been finished within 30 minutes.

4. Noise Test

- 9-1 Set the input attenuator to "0".
- 9-2 Short the input with a 600 ohm load.
- 9-3 Measure at the output, noise level should be less than -60 dBm. (LR = 8 ohm)
- 9-4 Set the input attenuator to "∞", noise level should be less than -60 dBu

※Be careful that it is not affected by noise induced during this inspection.

C Settings after the test

The attenuator should set to "∞".
The MODE switch should set to STEREO.

D Others

0 dBu = 0.775 V
When measuring noise level, use a DIN audio filter.

■ 検査

A STEREO モード、PARALLEL モード時の検査

準備

1. 入力アッティネーター : “0”の位置にセットします。
2. 入力端子 : キャンコネクタ (2番ピン = ホット、1番、3番ピン = アース)
3. MODE スイッチ : STEREO
4. 出力端子 : 負荷抵抗 $RL = 4 \Omega$ (無誘導抵抗、電力容量は 500 W 以上)
5. その他 : 特に指定のない場合は、両チャンネル駆動とします。

検査及び調整

1. ファン

電源投入時に、左右のファンともロースピードで回転することを確認します。(P1600 は左のみです。)
また、Ach 側の PA シートの CN102 を抜くと、左右のファンは共にハイスピードで回転し、TEMP インジケータが点灯することを確認します。検査後、CN102 は差し込んでおきます。

2. パワーON ミューティング時間

電源 SW 投入後、 $t = 2.5 \pm 1$ 秒にて、ミューティングが解除され PROTECTION インジケータが消灯することを確認します。

3. アイドリング電流

入力端子を接地して C106 (A ch)、C105 (B ch) の 1-2 番端子間の直流電圧 V_b が 1.0 ± 0.2 mV となるように VR102 (A ch)、VR101 (B ch) を調整します。

P1600 の場合は、入力端子を接地して C106 (A ch)、C107 (B ch) の 1-2 番端子間の直流電圧 V_b が 1.0 ± 0.2 mV となるように VR101 (A ch)、VR201 (B ch) を調整します。

また、全検査終了後、再度 V_b の検査をおこない、 $V_b = 1.0 \pm 0.2$ mV となるように調整します。

4. 出力端子の直流電圧

入力端子を接地し、出力端子の直流電圧 V_{dc} を測定し、 $V_{dc} = 0 \pm 75$ mV であることを確認します。

5. 利得

入力端子に 1 kHz、-10 dBu の正弦波を入力した時、+22.1 \pm 0.5 dBu の出力電圧を得ることを確認します。この検査は、PARALLEL モードでも行います。

6. 周波数特性

入力端子に、20 Hz、1 kHz、20 kHz、-10 dBu の正弦波を入力した時、出力電圧が 1 kHz の出力電圧を基準に、20 Hz では、 0 ± 0.5 dB 以内、20 kHz では、 -0.5 ± 0.5 dB 以内であることを確認します。

7. 全高調波歪率特性

入力端子に、20 Hz、1 kHz、20 kHz の高品位正弦波を入力し、定格出力を得た時、全高調波歪率が、下記の範囲であることを確認します。

パワー出力レベル (4 Ω)		全高調波歪率		
		20 Hz	1 kHz	20 kHz
P4500	600 W + 600 W (+36.0 dBu/ch)	$\leq 0.1 \%$	$\leq 0.05 \%$	$\leq 0.1 \%$
P3200	430 W + 430 W (+34.6 dBu/ch)			
P1600	200 W + 200 W (+31.2 dBu/ch)			

※この検査は、30 秒以内に終了して下さい。

8. チャンネルセパレーション

片方のチャンネルの入力端子に、20 kHz、-5 dBu の正弦波を入力して得られた、出力電圧を基準レベル (0 dB) として、入力端子が 600 Ω の抵抗を介して接地された他方チャンネルの出力電圧を測定し、-65 dB 以下であることを確認します。(負荷抵抗 $RL = 8 \Omega$ とします。)

9. 出力ノイズレベル

入力アッティネーターを“0”の位置に、入力端子を 600 Ω の抵抗を介して接地し、出力端子に発生するノイズレベルを測定し、-65 dBu 以下であることを確認します。次に、入力アッティネーターを“ ∞ ”の位置にし、ノイズレベルは、-70 dBu 以下であることを確認します。

※検査中は、誘導ノイズの影響を受けないように注意して下さい。

10. 安定度

10 kHz、-10 dBu の矩形波を入力し、負荷抵抗 $RL = 4 \Omega$ に並列に $10 \text{ pF} \sim 0.47 \mu\text{F}$ の容量を接続した時、以下の項目を満足することを確認します。

オーバーシュート $V_p/V_o \leq 1.8$

リングング 5 波以内

次に、負荷を純容量 $10 \text{ pF} \sim 0.47 \mu\text{F}$ のみとした時、

オーバーシュート $V_p/V_o \leq 2.5$

リングング 7 波以内にて収束し、発振などを生じないことを確認してください。

11. プロテクション回路

10 Hz、+7.0 dBu (P4500)、+5.6 dBu (P3200)、+2.2 dBu (P1600)、の正弦波を入力して、出力波形をクリップさせた時、プロテクション回路が作動してリレーがオープンしないことを確認します。次に、1 Hz、0 dBu の正弦波を入力した時、プロテクション回路が 2 秒以内に作動して、出力を遮断し、また、入力信号を切った時、10 秒以内に自動復帰することを確認します。

12. PC リミッター

入力端子に、1 kHz、+0.0 dBu (P4500)、-1.5 dBu (P3200)、-4.5 dBu (P1600) の正弦波を入力し、出力端子に負荷として $1 \Omega (\pm 5 \%)$ を接続し、出力端子をオシロスコープにて観測した時、出力レベルが下記の範囲であることを確認します。

品番	出力レベル
P4500	$V_{p-p} \leq 60\text{V}$
P3200	$V_{p-p} \leq 40\text{V}$
P1600	$V_{p-p} \leq 34\text{V}$

※この検査は、30 秒以内に終了して下さい。

13. シグナルインジケータ

1 kHz、-23 dBu の正弦波を入力し、シグナルインジケータが点灯することを確認します。

14. 効率

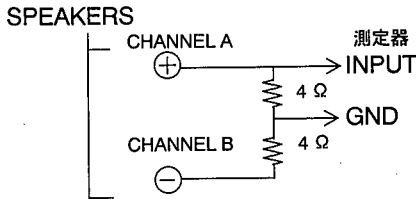
入力端子に 1 kHz、-5 dBu (P4500)、-6.5 dBu (P3200)、-9.5 dBu (P1600) の正弦波を入力して、一次電力を測定し、以下の範囲内であることを確認します。

品番	一次電力
P4500	$350 \pm 50 \text{ W}$
P3200	$250 \pm 50 \text{ W}$
P1600	$145 \pm 30 \text{ W}$

B BRIDGE モード

準備

- 1. 入力アッティネーター : A ch のみ作動します。“0”の位置にセットします。
- 2. 入力端子 : キャノンコネクタ (2 番ピン = ホット、1 番、3 番ピン = アース)
- 3. MODE スイッチ : BRIDGE
- 4. 出力端子 : 負荷抵抗 $R_L = 4 + 4 \Omega$ (無誘導抵抗、電力容量は 500 W 以上)
- 5. 測定器の接続 : 下記のようにグラウンドをフローティングし、負荷抵抗の midpoint に接続します。



検査及び調整

1. 利得

入力端子に、1 kHz、-10 dBu の正弦波を入力した時、+22.1 ± 1.0 dBu の出力電圧を得ることを確認します。

2. 周波数特性

入力端子に、20 Hz、1 kHz、20 kHz、-10 dBu の正弦波を入力した時、出力電圧が、1 kHz を基準に、20 Hz では、0.0 ± 0.5 dB、20 kHz では、-0.5 ± 0.5 dBu 以内であることを確認します。

3. 全高調波歪率特性

20 Hz、1 kHz、20 kHz の高品位正弦波を入力し、出力電圧 36 dBu (P4500)、34.6 dBu (P3200)、31.2 dBu (P1600) を得た時、全高調波歪率が下記の範囲内にあることを確認します。

パワー出力レベル (4 Ω)		全高調波歪率		
		20 Hz	1 kHz	20 kHz
P4500	+36.0 dBu	≤ 0.1 %	≤ 0.05 %	≤ 0.1 %
P3200	+34.6 dBu			
P1600	+31.2 dBu			

※この検査は、30 秒以内に終了して下さい。

4. 出力ノイズレベル

入力アッティネーターを MAX、入力端子を 600 Ω の抵抗を介して接地し、負荷抵抗 8 Ω の両端にてノイズレベルを測定し、-60 dBu 以下であることを確認します。次に、入力アッティネーターを“∞”の位置にした時、ノイズレベルが、-60 dBu 以下であることを確認します。

C 検査終了後の処置

入力アッティネーターは“∞”の位置にしておきます。
モード SW は、STEREO にセットしておきます。

D その他

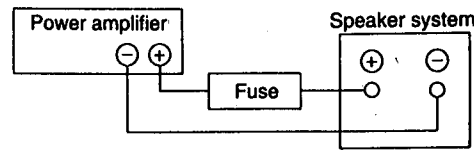
0 dBu = 0.775 V
ノイズレベルの測定は、DIN オーディオフィルターを使用します。

CAUTION FOR SPEAKER CONNECTION

Connect the amplifier's A channel and B channel speaker terminals to the corresponding speakers. Make sure that the red terminals on the amplifier are connected to the "+" terminals on the speakers, and that the black terminals are connected to the "-" terminals on the speakers.

Take care that the end of each speaker cable does not short with another end of the speaker cable or with the chassis or protective cover, and the secure the wire in place by tightening down the terminal. Also, always make sure that the power is OFF before attaching or removing speaker wires.

- If long speaker cables are required, use cables with as heavy a gauge as possible to protect against degradation caused by the damping factor and to prevent power loss inside the speaker cables.
- Since the 'P' Series of power amplifiers can provide relatively high output powers, it is important that you use a speaker system with sufficient power handling capabilities.
If the allowable input power of the speaker system is lower than the rated output power of the amplifier, you can protect the speakers by connecting an in-line fuse between each speaker and the amplifier.



* You can use the following formula to determine the size of fuse needed for your system.

$$P_o = I^2 R \rightarrow I = \sqrt{\frac{P_o}{R}}$$

- P_o : Continuous allowable input power of speaker (noise or RMS)
 R : Nominal impedance of speaker
 I : Necessary fuse capacity (A)

Example:

Speaker continuous allowable input power; 50 W
 Speaker impedance ; 8 Ω
 Using these values.

$$I = \sqrt{\frac{50}{8}} = 2.5$$

Necessary fuse capacity = 2.5 (A)

TROUBLESHOOTING

The following table lists the main causes of abnormal operation and the corrective measures required, as well as the protective circuit operation in each case.

Indicator	Probable Cause	Remedy	Protection Circuit
CLIP indicator lights.	There is a short at a speaker terminal, amplifier terminal, or wire.	Locate and correct the cause of the short.	The PC limiter circuit operates to protect the power transistors.
	The amplifier load is excessive.	Use a speaker system with an impedance of at least 4Ω (stereo) or 8Ω (bridge).	
TEMP indicator lights.	The heat sink temperature has exceed 85°C.	Check the ventilation slots, and improve the airflow around the amplifier.	Warning by the TEMP indicator.
PROTECTION indicator lights.	The heat sink temperature has exceeded 95°C.	Check the amplifier ventilation conditions and take appropriate measures to improve airflow around the amplifier.	The thermal protection circuit operates to protect the power transistors.
	A DC voltage of +/-2 V or greater was generated in the power amplifier's output circuit.		The relay operates to protect the speaker system.

■ スピーカー配線

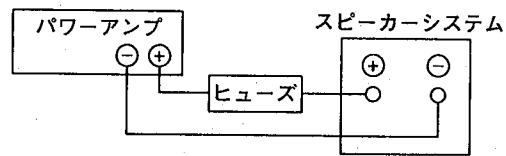
アンプのAチャンネルスピーカー端子とBチャンネルスピーカー端子をそれぞれスピーカーに接続します。必ず赤い端子をスピーカーの⊕端子に、黒い端子を⊖の端子に接続してください。

各スピーカーケーブルが他のスピーカーケーブルのシャーシ、保護カバーなどとショートしないよう注意し、端子をしっかり締め付けてケーブルを動かないようにしてください。また、スピーカーケーブルの接続、取り外しは、必ず電源をOFFにしてから行ってください。

スピーカーケーブルを長く引き廻す場合は、ダンピングファクターの劣化やケーブル内でのパワーロスを防ぐため、できるだけ太い線材のケーブルをご使用ください。本機のスピーカーターミナルは、極太ケーブルの使用にも対応しております。

'P'シリーズのパワーアンプでは大出力が得られますので、十分な許容入力を持つスピーカーシステムを使用してください。

ご使用になるスピーカーシステムの許容入力がパワーアンプの定格出力値より小さな場合は、スピーカーとアンプ間に直列にヒューズを接続すると、スピーカーを保護することができます。(右図参照)



下の式を用いて、各スピーカーに応じたヒューズの容量の目安を求めることができます。

$$P_o = I^2 R \rightarrow I = \sqrt{\frac{P_o}{R}}$$

Po[W] : スピーカーの連続許容入力(ノイズまたはRMS)

R[Ω] : スピーカーの公称インピーダンス

I[A] : 必要なヒューズの容量

例) スピーカーの連続許容入力 : 50[W]
 スピーカーのインピーダンス : 8[Ω]

$$I = \sqrt{\frac{50}{8}} = 2.5$$

上の計算から、必要なヒューズの容量は2.5[A]となります。

■ トラブルシューティング

主な異常動作の原因と処置および保護回路の動作

インジケータ表示	原因	処置	保護回路の動作
CLIPインジケータが点灯する	スピーカー端子、アンプの出力端子、ケーブル等でのショート	ショートしている箇所を調べる	PCリミッターが働き、パワートランジスタを保護
	アンプの負荷が過負荷になっている	スピーカーシステムインピーダンスをステレオ時4Ω、モノラル時8Ω以上にする	
TEMPインジケータが点灯する	ヒートシンクの温度が85℃を超えている	通風スロットを点検してアンプ周りの通風状態を良くしてください	TEMPインジケータによる警告
PROTECTIONインジケータが点灯する	ヒートシンクの温度が95℃を超えている	通風状態を調べ、放熱対策をする	サーマルプロテクションが働きパワートランジスタを保護
	パワーアンプの出力段にDC±2V以上の電位が発生		リレーが働き、スピーカーシステムを保護

POWER AMPLIFIER

P1600/P3200/P4500

PARTS LIST

■ CONTENTS(目次)

OVERALL ASSEMBLY(総組立)	1
PA UNIT(PAユニット)	4
ELECTRICAL PARTS(電気部品)	6~31
P1600	6
P3200	15
P4500	23

Notes DESTINATION ABBREVIATIONS

J : Japanese model	A : Australian model
U : U.S.A. model	E : European model
C : Canadian model	D : German model
X : General model	B : British model
M : South African model	I : Indonesian model
H : North European model	

■ WARNING

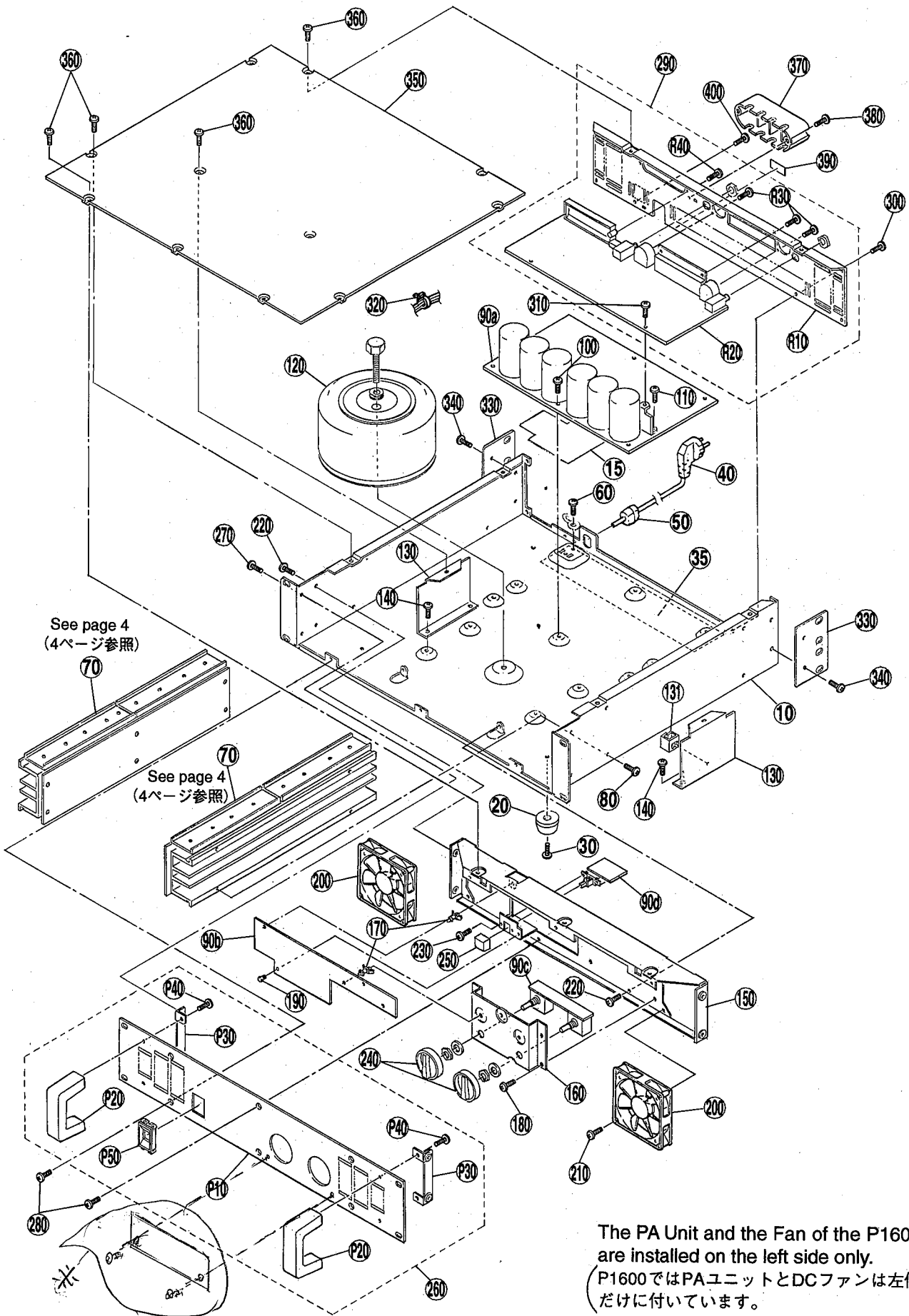
Components having special characteristics are marked \triangle and must be replaced with parts having specification equal to those originally installed.

\triangle 印の部品は、安全を維持するために重要な部品です。交換をする場合は、安全のため必ず指定の部品をご使用下さい。

- The numbers with "pc." or "pcs" in "Remarks" show quantities for each unit.
- The parts with "—" in "Part No." are not available as spare parts.

- ・ 部品価格ランクは、変更になることがあります。
- ・ Remarks欄に記されている数字は、使用個数です。
- ・ 部品No.が"—"の部品は、サービス用部品として準備されておりません。

OVERALL ASSEMBLY (総組立)



See page 4
(4ページ参照)

See page 4
(4ページ参照)

The PA Unit and the Fan of the P1600 are installed on the left side only.
(P1600ではPAユニットとDCファンは左側だけに付いています。)

OVERALL ASSEMBLY (総組立)

REF NO.	PART NO.	DESCRIPTION	部 品 名	REMARKS	QTY	ランク
		OVERALL ASSEMBLY				
10	VY936200	Main Chassis	総組立	P1600,P3200,P4500 J,U,H,B,A,V,W		
10	VY936100	Main Chassis	メインシャーシ	J,U,V		
15	VZ056400	Insulation Sheet	メインシャーシ	H,W,B,A		
20	VV085600	Leg	絶縁レッグ		4	01
30	VR138400	Bind Head Tapping Screw-B	+ バインド B タイ		4	01
35	VZ056300	Screw Cover	ネジカバー			
40	VY897500	AC Cord	電源コード	J		
40	VZ021200	AC Cord	電源コード	U,V		
40	VZ021400	AC Cord	電源コード	H,W,A		
40	VZ021600	AC Cord	電源コード	B		
50	VV103100	Cord Strain Relief	コードストッパー	J,U,V		01
50	VV103000	Cord Strain Relief	コードストッパー	H,W,B,A		01
60	VP156800	Bind Head Screw	+ バインド小ネジ	U,V,H,W,B,A		01
70	VY933200	PA Unit	P A ユ ニ ッ ト	P1600		
70	VY933300	PA Unit	P A ユ ニ ッ ト	P3200		
70	VZ026600	PA Unit	P A ユ ニ ッ ト	P4500		
80	VR779900	Bonding Tapping Screw-B	ボンディング B タイ	P1600	4	01
80	VR779900	Bonding Tapping Screw-B	ボンディング B タイ	P3200,P4500	8	01
90a	NX818870	Circuit Board	D C シ ー ト (1 / 4)	P1600 J,U,V		
90a	NX818880	Circuit Board	D C シ ー ト (1 / 4)	P1600 H,W,B,A		
90a	NX818820	Circuit Board	D C シ ー ト (1 / 4)	P3200,P4500 J,U,V		
90a	NX818830	Circuit Board	D C シ ー ト (1 / 4)	P3200,P4500 H,W,B,A		
90b	NX818840	Circuit Board	D C シ ー ト (2 / 4)			
90c	NX818850	Circuit Board	D C シ ー ト (3 / 4)			
90d	NX818860	Circuit Board	D C シ ー ト (4 / 4)			
100	EP600190	Bind Head Tapping Screw-B	+ バインド B タイ		6	01
110	VQ074600	Bind Head Tapping Screw-B	+ バインド B タイ		2	01
120	XT102B00	Power Transformer	電源トランス	P1600 J		
120	XT367B00	Power Transformer	電源トランス	P1600U,V		
120	XT368B00	Power Transformer	電源トランス	P1600 H,W,B		
120	XT369B00	Power Transformer	電源トランス	P1600 A		
120	XT103B00	Power Transformer	電源トランス	P3200J		
120	XT370B00	Power Transformer	電源トランス	P3200 U,V		
120	XT371B00	Power Transformer	電源トランス	P3200 H,W,B		
120	XT372B00	Power Transformer	電源トランス	P3200 A		
120	XT104B00	Power Transformer	電源トランス	P4500 J		
120	XT373B00	Power Transformer	電源トランス	P4500 U,V		
120	XT374B00	Power Transformer	電源トランス	P4500 H,W,B		
120	XT375B00	Power Transformer	電源トランス	P4500 A		
130	VY936300	Partition Board	仕切板		2	
131	VV903200	Cord Binder	束線止め			01
140	EG340190	Bind Head Tapping Screw-B	+ バインド B タイ		4	01
150	VY934700	Front Chassis	フロントシャーシ			
160	VY934800	Angle Bracket, Attenuation	アッテネーターアングル			
170	VZ336600	PCB Support	P C B サ ポ ー ト		4	
180	EP600190	Bind Head Tapping Screw-B	+ バインド B タイ		4	01
190	VZ336400	Plastic Rivet	ブラリベット			
200	VY898600	Fan	D C フ ァ ン	P1600		
200	VY898600	Fan	D C フ ァ ン	P3200,P4500	2	
210	VQ866300	Bind Head Screw	+ バインド小ネジ	P1600	4	01
210	VQ866300	Bind Head Screw	+ バインド小ネジ	P3200,P4500	8	01
220	EG340190	Bind Head Tapping Screw-B	+ バインド B タイ		6	01
230	VB659000	Bind Head Screw	+ バインド小ネジ		2	01
240	VY938500	Attenuation Knob	アッテネーターノブ	Volume(A,B)	2	
250	VU859000	Power Switch Knob	P S W ノ ブ	POWER		01
260	--	Panel Assembly	パネル A s s y	P1600 (VY93290)		
260	--	Panel Assembly	パネル A s s y	P3200 (VY93300)		
260	--	Panel Assembly	パネル A s s y	P4500 (VY93310)		
270	EG340190	Bind Head Tapping Screw-B	+ バインド B タイ		4	01
280	VS153600	Oval Head Screw	+ 丸皿小ネジ		6	01
290	--	Rear Assembly	リア A s s y	P1600 J (VZ02540)		
290	--	Rear Assembly	リア A s s y	P1600 U,V (VZ02550)		
290	--	Rear Assembly	リア A s s y	P1600 H,W,B (VZ02560)		
290	--	Rear Assembly	リア A s s y	P1600 A (VZ02570)		
290	--	Rear Assembly	リア A s s y	P3200 J (VZ02580)		
290	--	Rear Assembly	リア A s s y	P3200 U,V (VZ02590)		
290	--	Rear Assembly	リア A s s y	P3200 H,W,B (VZ02600)		
290	--	Rear Assembly	リア A s s y	P3200 A (VZ02610)		
290	--	Rear Assembly	リア A s s y	P4500 J (VZ02620)		

* New Parts (新規部品)

ランク : Japan only

REF NO.	PART NO.	DESCRIPTION	部 品 名	REMARKS	QTY	ランク
290	---	Rear Assembly	リア A s s ' y	P4500 U,V (VZ02630)		
290	---	Rear Assembly	リア A s s ' y	P4500 H,W,B (VZ02640)		
290	---	Rear Assembly	リア A s s ' y	P4500 A (VZ02650)		
300	VR779900	Bonding Tapping Screw-B	4.0X8 MFZN2BL	ボンディング B タイ	6	01
310	EP600190	Bind Head Tapping Screw-B	3.0X8 MFZN2BL	+ バインド B タイ	2	01
320	---	Cord Holder	CV-100	インシュロックタイ		
330	VY937100	Rear Angle	リア ア ン グ ル	(VV10460)	9	01
340	EG340190	Bind Head Tapping Screw-B	4.0X8 MFZN2BL	+ バインド B タイ	2	
350	VY937600	Top Cover	ト ッ プ カ バ ー		4	01
360	EG340190	Bind Head Tapping Screw-B	4.0X8 MFZN2BL	+ バインド B タイ	11	01
370	VY938700	Cover, Speaker Terminal	S P タ ー ミ ナ ル カ バ ー			
380	EP600190	Bind Head Tapping Screw-B	3.0X8 MFZN2BL	+ バインド B タイ	2	01
390	---	Label	ラ ベ ル	U,V (VA03930)		
400	VP156800	Bind Head Screw	A4.0X8 MFZN2BL	+ バインド 小 ネジ		01
ACCESSORIES						
* 20	VZ362500	Security Cover Assembly	付 属 品 S / C A s s ' y	パネルを動かさないでカバー ネジ2本付き		

* New Parts (新規部品)

ランク : Japan only

● Panel Assembly

REF NO.	PART NO.	DESCRIPTION	部 品 名	REMARKS	QTY	ランク
	---	Panel Assembly	パ ネ ル A s s ' y	P1600 (VY93290)		
	---	Panel Assembly	パ ネ ル A s s ' y	P3200 (VY93300)		
	---	Panel Assembly	パ ネ ル A s s ' y	P4500 (VY93310)		
* P10	VY937200	Front Panel	フ ロ ン ト パ ネ ル	P1600		
* P10	VY937300	Front Panel	フ ロ ン ト パ ネ ル	P3200		
* P10	VY937400	Front Panel	フ ロ ン ト パ ネ ル	P4500		
P20	VY938100	Handle	ZINC ALLOY ハ ン ド ル 2 U		2	
P30	VY937500	Angle, Handle	ハ ン ド ル ア ン グ ル		2	
P40	VB764900	Bind Head Screw	SP 4.0X16 MFZN2Y + バインド 小 ネジ		4	01
P50	VU859100	Escutcheon, Power Switch	SR200 P S W エ ス カ ッ シ ョ ン			

* New Parts (新規部品)

ランク : Japan only

● Rear Assembly

REF NO.	PART NO.	DESCRIPTION	部 品 名	REMARKS	QTY	ランク
	---	Rear Assembly	リア A s s ' y	P1600 J (VZ02540)		
	---	Rear Assembly	リア A s s ' y	P1600 U,V (VZ02550)		
	---	Rear Assembly	リア A s s ' y	P1600 H,W,B (VZ02560)		
	---	Rear Assembly	リア A s s ' y	P1600 A (VZ02570)		
	---	Rear Assembly	リア A s s ' y	P3200 J (VZ02580)		
	---	Rear Assembly	リア A s s ' y	P3200 U,V (VZ02590)		
	---	Rear Assembly	リア A s s ' y	P3200 H,W,B (VZ02600)		
	---	Rear Assembly	リア A s s ' y	P3200 A (VZ02610)		
	---	Rear Assembly	リア A s s ' y	P4500 J (VZ02620)		
	---	Rear Assembly	リア A s s ' y	P4500 U,V (VZ02630)		
	---	Rear Assembly	リア A s s ' y	P4500 H,W,B (VZ02640)		
	---	Rear Assembly	リア A s s ' y	P4500 A (VZ02650)		
* R10	VY933400	Rear Panel	リ ア パ ネ ル	P1600 J		
* R10	VY933500	Rear Panel	リ ア パ ネ ル	P1600 U,V		
* R10	VY933600	Rear Panel	リ ア パ ネ ル	P1600 H,W,B		
* R10	VY933700	Rear Panel	リ ア パ ネ ル	P1600 A		
* R10	VY933800	Rear Panel	リ ア パ ネ ル	P3200 J		
* R10	VY933900	Rear Panel	リ ア パ ネ ル	P3200 U,V		
* R10	VY934000	Rear Panel	リ ア パ ネ ル	P3200 H,W,B		
* R10	VY934100	Rear Panel	リ ア パ ネ ル	P3200 A		
* R10	VY934200	Rear Panel	リ ア パ ネ ル	P4500 J		
* R10	VY934300	Rear Panel	リ ア パ ネ ル	P4500 U,V		
* R10	VY934400	Rear Panel	リ ア パ ネ ル	P4500 H,W,B		
* R10	VY934500	Rear Panel	リ ア パ ネ ル	P4500 A		
* R20	VZ013700	Circuit Board	IN I N シ ー ト			
R30	VN413300	Bonding Tapping Screw-B	3.0X8 MFZN2BL	ボンディング B タイ	6	01
R40	VQ074600	Bind Head Tapping Screw-B	3.0X12 MFZN2BL	+ バインド B タイ	2	01

* New Parts (新規部品)

ランク : Japan only

P1600/P3200/P4500

● P1600

REF NO.	PART NO.	DESCRIPTION	部 品 名	REMARKS	QTY	ランク
* PA10	VY933200	PA Unit	P A ユ ニ ッ ト	P1600		
	VY937900	Heat Sink	ヒートシンク (L)			
PA20	VV086500	Support	支 柱		6	01
PA30	VZ013500	Circuit Board	P A シ ー ト			
PA40	EG330290	Bind Head Screw	+ バインド小ネジ		6	01
PA50	VY898500	Isolation Sheet A	放 熱 シ ー ト A		2	
PA55	VZ056200	Isolation Sheet B	放 熱 シ ー ト B		2	
PA60	VY936700	Holder A	T r 押 え 金 具 A		2	
PA70	VY936900	Holder C	T r 押 え 金 具 C		2	
* PA80	VQ074600	Bind Head Tapping Screw-B	+ バインドBタイト		18	01
PA90	VY936500	Holder	ポジスタホルダー		2	
PA100	VQ074600	Bind Head Tapping Screw-B	+ バインドBタイト		2	01

* New Parts (新規部品)

ランク : Japan only

● P3200

REF NO.	PART NO.	DESCRIPTION	部 品 名	REMARKS	QTY	ランク
PA10	VY933300	PA Unit	P A ユ ニ ッ ト	P3200		
	VY937900	Heat Sink	ヒートシンク (L)			
PA20	VV086500	Support	支 柱		6	01
PA30	VZ013400	Circuit Board	P A シ ー ト			
PA40	EG330290	Bind Head Screw	+ バインド小ネジ		6	01
PA50	VY898500	Isolation Sheet A	放 熱 シ ー ト A		2	
PA55	VZ056200	Isolation Sheet B	放 熱 シ ー ト B		2	
PA60	VY936700	Holder A	T r 押 え 金 具 A		2	
PA70	VY936800	Holder B	T r 押 え 金 具 B		2	
PA80	VQ074600	Bind Head Tapping Screw-B	+ バインドBタイト		18	01
PA90	VY936500	Holder	ポジスタホルダー		2	
PA100	VQ074600	Bind Head Tapping Screw-B	+ バインドBタイト		2	01

* New Parts (新規部品)

ランク : Japan only

● P4500

REF NO.	PART NO.	DESCRIPTION	部 品 名	REMARKS	QTY	ランク
PA10	VZ026600	PA Unit	P A ユ ニ ッ ト	P4500		
	VY937900	Heat Sink	ヒートシンク (L)			
PA20	VV086500	Support	支 柱		6	01
PA30	VZ013300	Circuit Board	P A シ ー ト			
PA40	EG330290	Bind Head Screw	+ バインド小ネジ		6	01
PA50	VY898500	Isolation Sheet A	放 熱 シ ー ト A		2	
PA55	VZ056200	Isolation Sheet B	放 熱 シ ー ト B		2	
PA60	VY936700	Holder A	T r 押 え 金 具 A		2	
PA70	VY936800	Holder B	T r 押 え 金 具 B		2	
PA80	VQ074600	Bind Head Tapping Screw-B	+ バインドBタイト		18	01
PA90	VY936500	Holder	ポジスタホルダー		2	
PA100	VQ074600	Bind Head Tapping Screw-B	+ バインドBタイト		2	01

* New Parts (新規部品)

ランク : Japan only

■ P1600 ELECTRICAL PARTS(電気部品)

REF NO.	PART NO.	DESCRIPTION	部 品 名	REMARKS	QTY	ラ
		ELECTRICAL PARTS	電 気 部 品	P1600		
*	NX818870	Circuit Board	DC 1/4	J,U,V		
*	NX818880	Circuit Board	DC 1/4	H,W,B,A	(XT214C0)	
*	NX818840	Circuit Board	DC 2/4		(XT214C0)	
*	NX818850	Circuit Board	DC 3/4		(XT214C0)	
*	NX818860	Circuit Board	DC 4/4		(XT214C0)	
*	VZ013700	Circuit Board	IN		(XT284B0)	
*	VZ013500	Circuit Board	PA		(XT283A0)	
*	NX818870	Circuit Board	DC 1/4	J,U,V	(XT214C0)	
*	NX818880	Circuit Board	DC 1/4	H,W,B,A	(XT214C0)	
*	NX818840	Circuit Board	DC 2/4		(XT214C0)	
*	NX818850	Circuit Board	DC 3/4		(XT214C0)	
*	NX818860	Circuit Board	DC 4/4		(XT214C0)	
C101	VZ004400	Mylar Capacitor	0.1000 400V M	フ ィ ル ム コ ン		
C102	VZ004400	Mylar Capacitor	0.1000 400V M	フ ィ ル ム コ ン		
C105	VY897000	Electrolytic Cap.	6800 100V	ケ ミ コ ン		
C106	VY897000	Electrolytic Cap.	6800 100V	ケ ミ コ ン		
C109	UJ866470	Electrolytic Cap.	4.70 50.0V	ケ ミ コ ン		01
C110	UJ659100	Electrolytic Cap.	1000 35.0V	ケ ミ コ ン		02
C111	UJ659100	Electrolytic Cap.	1000 35.0V	ケ ミ コ ン		02
C112	FG652100	Ceramic Capacitor-SL	100P 50V J	セ ラ コ ン (S L)		01
C113	UJ828470	Electrolytic Cap.	470.00 10.0V	ケ ミ コ ン		01
C114	UJ847470	Electrolytic Cap.	47.00 25.0V	ケ ミ コ ン		01
C115	UJ866470	Electrolytic Cap.	4.70 50.0V	ケ ミ コ ン		01
△	C116	VV314800	Capacitor	1000P 400V J.U.C.S	規 格 認 定 コ ン	01
	C118	UJ866470	Electrolytic Cap.	4.70 50.0V	ケ ミ コ ン	01
	C119	UJ866470	Electrolytic Cap.	4.70 50.0V	ケ ミ コ ン	01
	C120	UJ866100	Electrolytic Cap.	1.00 50.0V	ケ ミ コ ン	01
	C121	FG613100	Ceramic Capacitor-B	1000P 50V K	セ ラ コ ン B	01
	C122	UJ866100	Electrolytic Cap.	1.00 50.0V	ケ ミ コ ン	01
	C123	UJ866100	Electrolytic Cap.	1.00 50.0V	ケ ミ コ ン	01
	C124	FG613100	Ceramic Capacitor-B	1000P 50V K	セ ラ コ ン B	01
	C125	UJ866100	Electrolytic Cap.	1.00 50.0V	ケ ミ コ ン	01
	D101	VR149900	Diode Stack	D25XB60 25.0A 600V	ダイ オード スタック	06
	D102	VU801600	Diode	1N4004L 26	ダ イ オ ー ド	01
	D103	VU801600	Diode	1N4004L 26	ダ イ オ ー ド	01
	D104	VU801600	Diode	1N4004L 26	ダ イ オ ー ド	01
	D105	VU801600	Diode	1N4004L 26	ダ イ オ ー ド	01
	D106	VU801600	Diode	1N4004L 26	ダ イ オ ー ド	01
	D108	VD631600	Diode	1SS133,176,HSS104	ダ イ オ ー ド	01
	D109	VD631600	Diode	1SS133,176,HSS104	ダ イ オ ー ド	01
	D110	VG437700	Zener Diode	MTZ J 5.6B 5.6V	ツェナーダイオード	01
	D111	VG437700	Zener Diode	MTZ J 5.6B 5.6V	ツェナーダイオード	01
	D112	VG437700	Zener Diode	MTZ J 5.6B 5.6V	ツェナーダイオード	01
	D113	VV621000	LED	LT321-41-C13 GR	L E D SIGNAL A	01
	D114	VV620800	LED	LT311G-41-C13 RE	L E D CLIP A	01
	D115	VV621000	LED	LT321-41-C13 GR	L E D SIGNAL B	01
	D116	VV620800	LED	LT311G-41-C13 RE	L E D CLIP B	01
	D117	VV620800	LED	LT311G-41-C13 RE	L E D TEMP	01
	D118	VV620800	LED	LT311G-41-C13 RE	L E D PROTECTION	01
	D119	VV620800	LED	LT311G-41-C13 RE	L E D POWER	01
△	F101	KB001380	Fuse	15.00A U	ヒ ユ - ズ J,U,V	04
△	F101	KB003360	Fuse	6.30A S	ヒ ユ - ズ H,W,B,A	02
	F103	VV070300	Fuse	TDS 1A 250V J/U/C	ヒ ユ - ズ J,U,V	
	F103	VV071200	Fuse	TSD 1A 250V SEMKO	ヒ ユ - ズ H,W,B,A	01
	F104	VV070300	Fuse	TDS 1A 250V J/U/C	ヒ ユ - ズ J,U,V	
	F104	VV071200	Fuse	TSD 1A 250V SEMKO	ヒ ユ - ズ H,W,B,A	01
	H101	VY937700	Heat Sink		ヒ ー ト シ ン ク (S)	
*	P101	VZ336500	Plastic Rivet	PR-08T GIN LIAN	プ ラ スチック	
	Q101	IA111520	Transistor	2SA1115 E,F	ト ラ ン ジ ス タ	01
	Q102	IC260320	Transistor	2SC2603 E,F	ト ラ ン ジ ス タ	01
	Q103	IC260320	Transistor	2SC2603 E,F	ト ラ ン ジ ス タ	01
	Q104	IC260320	Transistor	2SC2603 E,F	ト ラ ン ジ ス タ	01
	Q105	IA111520	Transistor	2SA1115 E,F	ト ラ ン ジ ス タ	01
	Q106	IC260320	Transistor	2SC2603 E,F	ト ラ ン ジ ス タ	01
	Q107	VD678500	Digital Transistor	DTA114ES	デ ジ タ ル ト ラ ン ジ ス タ	03
	Q108	IC260320	Transistor	2SC2603 E,F	ト ラ ン ジ ス タ	01
	Q109	VD678500	Digital Transistor	DTA114ES	デ ジ タ ル ト ラ ン ジ ス タ	03
	Q110	IC260320	Transistor	2SC2603 E,F	ト ラ ン ジ ス タ	01

* New Parts (新規部品)

ランク : Japan only

REF NO.	PART NO.	DESCRIPTION	部 品 名	REMARKS	QTY	ラ
Q111	1A111520	Transistor	2SA1115 E,F	ト ラ ン ジ ス タ		01
Q112	VQ547200	Transistor	2SA1837 (HFE)	ト ラ ン ジ ス タ		03
Q113	1C260320	Transistor	2SC2603 E,F	ト ラ ン ジ ス タ		01
Q114	VD678500	Digital Transistor	DTA114ES	デ ジ タ ル ト ラ ン ジ ス タ		03
Q115	VD678500	Digital Transistor	DTA114ES	デ ジ タ ル ト ラ ン ジ ス タ		03
Q116	VD678700	Digital Transistor	DTC114ES	デ ジ タ ル ト ラ ン ジ ス タ		03
Q117	1C260320	Transistor	2SC2603 E,F	ト ラ ン ジ ス タ		01
Q118	VD678500	Digital Transistor	DTA114ES	デ ジ タ ル ト ラ ン ジ ス タ		03
Q119	VD678500	Digital Transistor	DTA114ES	デ ジ タ ル ト ラ ン ジ ス タ		03
Q120	VD678700	Digital Transistor	DTC114ES	デ ジ タ ル ト ラ ン ジ ス タ		03
Q121	VD678500	Digital Transistor	DTA114ES	デ ジ タ ル ト ラ ン ジ ス タ		03
R101	HF457150	Carbon Resistor	15.0K 1/4 J	カ - ボ ン 抵 抗		01
R102	HF457220	Carbon Resistor	22.0K 1/4 J	カ - ボ ン 抵 抗		01
R103	HF457470	Carbon Resistor	47.0K 1/4 J	カ - ボ ン 抵 抗		01
R104	HF458150	Carbon Resistor	150.0K 1/4 J	カ - ボ ン 抵 抗		01
R105	HF458100	Carbon Resistor	100.0K 1/4 J	カ - ボ ン 抵 抗		01
R106	HF457100	Carbon Resistor	10.0K 1/4 J	カ - ボ ン 抵 抗		01
R107	HF457560	Carbon Resistor	56.0K 1/4 J	カ - ボ ン 抵 抗		01
R108	HF457680	Carbon Resistor	68.0K 1/4 J	カ - ボ ン 抵 抗		01
R109	HF456680	Carbon Resistor	6.8K 1/4 J	カ - ボ ン 抵 抗		01
R110	HF457560	Carbon Resistor	56.0K 1/4 J	カ - ボ ン 抵 抗		01
R111	HF457100	Carbon Resistor	10.0K 1/4 J	カ - ボ ン 抵 抗		01
R112	HF456820	Carbon Resistor	8.2K 1/4 J	カ - ボ ン 抵 抗		01
R113	HF456820	Carbon Resistor	8.2K 1/4 J	カ - ボ ン 抵 抗		01
R114	HF455220	Carbon Resistor	220.0 1/4 J	カ - ボ ン 抵 抗		01
R115	HF455220	Carbon Resistor	220.0 1/4 J	カ - ボ ン 抵 抗		01
R116	HF456470	Carbon Resistor	4.7K 1/4 J	カ - ボ ン 抵 抗		01
R117	HF457100	Carbon Resistor	10.0K 1/4 J	カ - ボ ン 抵 抗		01
R118	HF455220	Carbon Resistor	220.0 1/4 J	カ - ボ ン 抵 抗		01
R119	HF456470	Carbon Resistor	4.7K 1/4 J	カ - ボ ン 抵 抗		01
R120	HF455220	Carbon Resistor	220.0 1/4 J	カ - ボ ン 抵 抗		01
R121	HF456120	Carbon Resistor	1.2K 1/4 J	カ - ボ ン 抵 抗		01
R122	HF456120	Carbon Resistor	1.2K 1/4 J	カ - ボ ン 抵 抗		01
R123	HF456120	Carbon Resistor	1.2K 1/4 J	カ - ボ ン 抵 抗		01
R124	HF456120	Carbon Resistor	1.2K 1/4 J	カ - ボ ン 抵 抗		01
R125	HF456470	Carbon Resistor	4.7K 1/4 J	カ - ボ ン 抵 抗		01
R126	HF457100	Carbon Resistor	10.0K 1/4 J	カ - ボ ン 抵 抗		01
R127	HF455220	Carbon Resistor	220.0 1/4 J	カ - ボ ン 抵 抗		01
R128	HF456470	Carbon Resistor	4.7K 1/4 J	カ - ボ ン 抵 抗		01
R129	HF455220	Carbon Resistor	220.0 1/4 J	カ - ボ ン 抵 抗		01
R130	HF456120	Carbon Resistor	1.2K 1/4 J	カ - ボ ン 抵 抗		01
R131	HF456120	Carbon Resistor	1.2K 1/4 J	カ - ボ ン 抵 抗		01
R132	HF456120	Carbon Resistor	1.2K 1/4 J	カ - ボ ン 抵 抗		01
R133	HF456120	Carbon Resistor	1.2K 1/4 J	カ - ボ ン 抵 抗		01
R134	HF456120	Carbon Resistor	1.2K 1/4 J	カ - ボ ン 抵 抗		01
R135	HF456120	Carbon Resistor	1.2K 1/4 J	カ - ボ ン 抵 抗		01
R136	HF457820	Carbon Resistor	82.0K 1/4 J	カ - ボ ン 抵 抗		01
R137	HF456120	Carbon Resistor	1.2K 1/4 J	カ - ボ ン 抵 抗		01
R138	HF456120	Carbon Resistor	1.2K 1/4 J	カ - ボ ン 抵 抗		01
R139	HF456120	Carbon Resistor	1.2K 1/4 J	カ - ボ ン 抵 抗		01
R140	HF456120	Carbon Resistor	1.2K 1/4 J	カ - ボ ン 抵 抗		01
W101	--	Connector Assembly	E	東 線	(VZ01490)	
W102	--	Connector Assembly	+B PRE	東 線	(VZ01470)	
W103	--	Connector Assembly	+B PA	東 線	(VZ01480)	
W105	--	Connector Assembly	P.SW YE	東 線	(VZ01450)	
W106	--	Connector Assembly	P.SW BR	東 線	(VZ01460)	
W202	--	Connector Assembly	2426&2426 10P 200L	東 線 # 2	(VZ01550)	8
W205	--	Connector Assembly	2426&2426 3P 300L	東 線 # 2	(VZ01580)	8
W218	--	Connector Assembly	VR	東 線	(VZ01530)	8
W219	--	Connector Assembly	2426&2426 9P 450L	東 線 # 2	(VZ01540)	8
CN101	LB932030	Base Post Connector	VH- 3P TE	ベ - ス ポ ス ト		01
CN102	VV067000	Connector Base Post	M2426XX 10P TE	コ ネ ク タ ベ - ス ポ ス ト		
CN105	VV066300	Connector Base Post	M2426XX 3P TE	コ ネ ク タ ベ - ス ポ ス ト		
CN106	VV066900	Connector Base Post	M2426XX 9P TE	コ ネ ク タ ベ - ス ポ ス ト		
CN107	VZ005700	Fasten Terminal	TP82223-22	フ ァ ス ト ン 端 子		
CN108	VZ005700	Fasten Terminal	TP82223-22	フ ァ ス ト ン 端 子		
CN109	VZ005700	Fasten Terminal	TP82223-22	フ ァ ス ト ン 端 子		
CN110	VZ005700	Fasten Terminal	TP82223-22	フ ァ ス ト ン 端 子		
CN111	VZ005700	Fasten Terminal	TP82223-22	フ ァ ス ト ン 端 子		
CN112	VZ005700	Fasten Terminal	TP82223-22	フ ァ ス ト ン 端 子		

* New Parts (新規部品)

ランク : Japan only

REF NO.	PART NO.	DESCRIPTION		部 品 名	REMARKS	QTY	ランク
CN114	VZ005700	Fasten Terminal	TP82223-22	ファーストン端子			
CN115	VZ005700	Fasten Terminal	TP82223-22	ファーストン端子			
CN117	VZ005700	Fasten Terminal	TP82223-22	ファーストン端子			
CN118	VV066600	Connector Base Post	M2426XX 6P TE	コネクタベースポスト		01	
CN119	VV066900	Connector Base Post	M2426XX 9P TE	コネクタベースポスト			
CN120	VV066200	Connector Base Post	M2426XX 2P TE	コネクタベースポスト			
CN121	VV066200	Connector Base Post	M2426XX 2P TE	コネクタベースポスト			
SW101	VY898100	Push Switch	SDDFA3107U-YL UCS	プッシュスイッチ			
VR101	VI575600	Rotary Variable Resistor	5K	ロータリーVR		03	
VR102	VI575600	Rotary Variable Resistor	5K	ロータリーVR		03	
10	VB763800	Bind Head Screw	SP 3.0X12 MFZN2Y	+ バインド小ネジ		01	
20	VV319600	Fuse Holder	CQ-05CT	ヒューズホルダ		01	
30	VV307300	LED Spacer	SR200	LEDスペーサ		01	
50	--	Jumper Wire	0.60	ジャンパー線	(VV29140)	01	
					(XT284B0)		
C101	VZ013700	Circuit Board	IN	IN シート			
C102	FU451560	Mica Capacitor	56P 500V J	マイカコン			
C103	FU451560	Mica Capacitor	56P 500V J	マイカコン			
C104	FG644100	Ceramic Capacitor-F	0.0100 50V Z	セラコン F		01	
C105	FG644100	Ceramic Capacitor-F	0.0100 50V Z	セラコン F		01	
C106	FU451100	Mica Capacitor	10P 500V D	マイカコン		01	
C107	VZ004000	Electrolytic Cap. SK	2.2 200.0V	ケミコン SK			
C108	VZ004000	Electrolytic Cap. SK	2.2 200.0V	ケミコン SK			
C109	UJ847100	Electrolytic Cap.	10.00 25.0V	ケミコン		01	
C110	FU451330	Mica Capacitor	33P 500V J	マイカコン		01	
C111	FG652100	Ceramic Capacitor-SL	100P 50V J	セラコン (SL)		01	
C112	UJ828100	Electrolytic Cap.	100.00 10.0V	ケミコン		01	
C113	VV060100	Mylar Capacitor	1500P 50V J	マイラコン			
C114	VZ004200	Mylar Capacitor	0.1000 100V M	フィルムコン			
C115	VZ004200	Mylar Capacitor	0.1000 100V M	フィルムコン			
C116	VZ012200	Ceramic Capacitor-B	0.001 500V K	セラコン B			
C201	VZ012200	Ceramic Capacitor-B	0.001 500V K	セラコン B			
C202	FU451560	Mica Capacitor	56P 500V J	マイカコン			
C203	FU451560	Mica Capacitor	56P 500V J	マイカコン			
C204	FG644100	Ceramic Capacitor-F	0.0100 50V Z	セラコン F		01	
C206	FG644100	Ceramic Capacitor-F	0.0100 50V Z	セラコン F		01	
C207	VZ004000	Electrolytic Cap. SK	2.2 200.0V	ケミコン SK			
C208	VZ004000	Electrolytic Cap. SK	2.2 200.0V	ケミコン SK			
C209	UJ847100	Electrolytic Cap.	10.00 25.0V	ケミコン		01	
C210	FU451330	Mica Capacitor	33P 500V J	マイカコン		01	
C211	FG652100	Ceramic Capacitor-SL	100P 50V J	セラコン (SL)		01	
C212	UJ828100	Electrolytic Cap.	100.00 10.0V	ケミコン		01	
C213	VV060100	Mylar Capacitor	1500P 50V J	マイラコン			
C214	VZ004200	Mylar Capacitor	0.1000 100V M	フィルムコン			
C215	VZ004200	Mylar Capacitor	0.1000 100V M	フィルムコン			
C216	VZ012200	Ceramic Capacitor-B	0.001 500V K	セラコン B			
C301	VZ012200	Ceramic Capacitor-B	0.001 500V K	セラコン B			
C302	UJ867470	Electrolytic Cap.	47.00 50.0V	ケミコン		01	
C303	UJ867470	Electrolytic Cap.	47.00 50.0V	ケミコン		01	
C304	UJ847470	Electrolytic Cap.	47.00 25.0V	ケミコン		01	
D101	VD631600	Diode	1SS133,176,HSS104	ダイオード		01	
D102	VD631600	Diode	1SS133,176,HSS104	ダイオード		01	
D103	VD631600	Diode	1SS133,176,HSS104	ダイオード		01	
D104	VD631600	Diode	1SS133,176,HSS104	ダイオード		01	
D105	VD631600	Diode	1SS133,176,HSS104	ダイオード		01	
D106	VD631600	Diode	1SS133,176,HSS104	ダイオード		01	
D107	VU801600	Diode	1N4004L 26	ダイオード		01	
D201	VD631600	Diode	1SS133,176,HSS104	ダイオード		01	
D202	VD631600	Diode	1SS133,176,HSS104	ダイオード		01	
D203	VD631600	Diode	1SS133,176,HSS104	ダイオード		01	
D204	VD631600	Diode	1SS133,176,HSS104	ダイオード		01	
D205	VD631600	Diode	1SS133,176,HSS104	ダイオード		01	
D206	VD631600	Diode	1SS133,176,HSS104	ダイオード		01	
L101	VR150900	Coil	RZ-001 21MM	空芯コイル		02	
L201	VR150900	Coil	RZ-001 21MM	空芯コイル		02	
Q101	VU418400	Transistor	2SA1371 D,E	トランジスタ		01	
Q102	VU418400	Transistor	2SA1371 D,E	トランジスタ		01	
Q103	VU418400	Transistor	2SA1371 D,E	トランジスタ		01	
Q104	VU418600	Transistor	2SC3468 D,E	トランジスタ		01	

* New Parts (新規部品)

ランク : Japan only

P1600

REF NO.	PART NO.	DESCRIPTION	部 品 名	REMARKS	QTY	ランク
Q105	IC1815M0	Transistor	2SC1815 Y,GR	トランジスタ		01
Q106	IC1815M0	Transistor	2SC1815 Y,GR	トランジスタ		01
Q107	IC1815M0	Transistor	2SC1815 Y,GR	トランジスタ		01
Q108	VR152800	Transistor	2SA1480 E,F	トランジスタ		02
Q109	IA101590	Transistor	2SA1015 O,Y	トランジスタ		01
Q110	VR152900	Transistor	2SC3790 E,F	トランジスタ		02
Q201	VU418400	Transistor	2SA1371 D,E	トランジスタ		01
Q202	VU418400	Transistor	2SA1371 D,E	トランジスタ		01
Q203	VU418400	Transistor	2SA1371 D,E	トランジスタ		01
Q204	VU418600	Transistor	2SC3468 D,E	トランジスタ		01
Q205	IC1815M0	Transistor	2SC1815 Y,GR	トランジスタ		01
Q206	IC1815M0	Transistor	2SC1815 Y,GR	トランジスタ		01
Q207	IC1815M0	Transistor	2SC1815 Y,GR	トランジスタ		01
Q208	VR152800	Transistor	2SA1480 E,F	トランジスタ		02
Q209	IA101590	Transistor	2SA1015 O,Y	トランジスタ		01
Q210	VR152900	Transistor	2SC3790 E,F	トランジスタ		02
R101	VZ009900	Metal Film Resistor	15K 1/4 F	金属被膜抵抗		
R102	VZ009900	Metal Film Resistor	15K 1/4 F	金属被膜抵抗		
R103	VZ009900	Metal Film Resistor	15K 1/4 F	金属被膜抵抗		
R104	VZ009900	Metal Film Resistor	15K 1/4 F	金属被膜抵抗		
R105	HF454180	Carbon Resistor	18.0 1/4 J	カーボン抵抗		01
R106	VV065200	Metal Film Resistor	4.7K 1/4 F	金属被膜抵抗		
R107	VV065200	Metal Film Resistor	4.7K 1/4 F	金属被膜抵抗		
R108	HF454180	Carbon Resistor	18.0 1/4 J	カーボン抵抗		01
R109	HF456470	Carbon Resistor	4.7K 1/4 J	カーボン抵抗		01
R110	HF457220	Carbon Resistor	22.0K 1/4 J	カーボン抵抗		01
R111	VZ010600	Metal Film Resistor	560.0 1/4 F	金属被膜抵抗		
R112	VV065600	Metal Film Resistor	11K 1/4 F	金属被膜抵抗		
R113	VV065600	Metal Film Resistor	11K 1/4 F	金属被膜抵抗		
R114	HF455560	Carbon Resistor	560.0 1/4 J	カーボン抵抗		01
R115	HF457100	Carbon Resistor	10.0K 1/4 J	カーボン抵抗		01
R116	HF458330	Carbon Resistor	330.0K 1/4 J	カーボン抵抗		01
R117	HF455560	Carbon Resistor	560.0 1/4 J	カーボン抵抗		01
R118	HF455560	Carbon Resistor	560.0 1/4 J	カーボン抵抗		01
R119	HF455200	Carbon Resistor	200.0 1/4 J	カーボン抵抗		01
R120	HF457470	Carbon Resistor	47.0K 1/4 J	カーボン抵抗		01
R121	HF457470	Carbon Resistor	47.0K 1/4 J	カーボン抵抗		01
R122	HF455220	Carbon Resistor	220.0 1/4 J	カーボン抵抗		01
R123	HF457470	Carbon Resistor	47.0K 1/4 J	カーボン抵抗		01
R124	HF457470	Carbon Resistor	47.0K 1/4 J	カーボン抵抗		01
R125	HF457470	Carbon Resistor	47.0K 1/4 J	カーボン抵抗		01
R126	HF457470	Carbon Resistor	47.0K 1/4 J	カーボン抵抗		01
R127	HF455330	Carbon Resistor	330.0 1/4 J	カーボン抵抗		01
R128	HF455330	Carbon Resistor	330.0 1/4 J	カーボン抵抗		01
R129	VZ009400	Flame Proof C. Resistor	820.0 1/4 J	不燃化カーボン抵抗		
R130	VZ009400	Flame Proof C. Resistor	820.0 1/4 J	不燃化カーボン抵抗		
R131	VY997600	Metal Oxide Film Resistor	4.7 3W J	サニキン抵抗		
R132	VY997600	Metal Oxide Film Resistor	4.7 3W J	サニキン抵抗		
R133	VV276700	Flame Proof C. Resistor	4.7 1/4 J	不燃化カーボン抵抗		01
R134	HF457270	Carbon Resistor	27.0K 1/4 J	カーボン抵抗		01
R135	HF458150	Carbon Resistor	150.0K 1/4 J	カーボン抵抗		01
R136	HF456100	Carbon Resistor	1.0K 1/4 J	カーボン抵抗		01
R201	VZ009900	Metal Film Resistor	15K 1/4 F	金属被膜抵抗		
R202	VZ009900	Metal Film Resistor	15K 1/4 F	金属被膜抵抗		
R203	VZ009900	Metal Film Resistor	15K 1/4 F	金属被膜抵抗		
R204	VZ009900	Metal Film Resistor	15K 1/4 F	金属被膜抵抗		
R205	HF454180	Carbon Resistor	18.0 1/4 J	カーボン抵抗		01
R210	HF457220	Carbon Resistor	22.0K 1/4 J	カーボン抵抗		01
R211	VZ010600	Metal Film Resistor	560.0 1/4 F	金属被膜抵抗		
R212	VV065600	Metal Film Resistor	11K 1/4 F	金属被膜抵抗		
R213	VV065600	Metal Film Resistor	11K 1/4 F	金属被膜抵抗		
R214	HF455560	Carbon Resistor	560.0 1/4 J	カーボン抵抗		01
R215	HF457100	Carbon Resistor	10.0K 1/4 J	カーボン抵抗		01
R216	HF458330	Carbon Resistor	330.0K 1/4 J	カーボン抵抗		01
R217	HF455560	Carbon Resistor	560.0 1/4 J	カーボン抵抗		01
R218	HF455560	Carbon Resistor	560.0 1/4 J	カーボン抵抗		01
R219	HF455200	Carbon Resistor	200.0 1/4 J	カーボン抵抗		01
R220	HF457470	Carbon Resistor	47.0K 1/4 J	カーボン抵抗		01
R221	HF457470	Carbon Resistor	47.0K 1/4 J	カーボン抵抗		01
R222	HF455220	Carbon Resistor	220.0 1/4 J	カーボン抵抗		01

* New Parts (新規部品)

ランク : Japan only

REF. NO.	PART NO.	DESCRIPTION	部 品 名	REMARKS	QTY	ランク
R223	HF457470	Carbon Resistor	47.0K 1/4 J	カ ー ボ ン 抵 抗		01
R224	HF457470	Carbon Resistor	47.0K 1/4 J	カ ー ボ ン 抵 抗		01
R225	HF457470	Carbon Resistor	47.0K 1/4 J	カ ー ボ ン 抵 抗		01
R226	HF457470	Carbon Resistor	47.0K 1/4 J	カ ー ボ ン 抵 抗		01
R227	HF455330	Carbon Resistor	330.0 1/4 J	カ ー ボ ン 抵 抗		01
R228	HF455330	Carbon Resistor	330.0 1/4 J	カ ー ボ ン 抵 抗		01
R229	VZ009400	Flame Proof C. Resistor	820.0 1/4 J	不 燃 化 カ ー ボ ン 抵 抗		01
R230	VZ009400	Flame Proof C. Resistor	820.0 1/4 J	不 燃 化 カ ー ボ ン 抵 抗		01
R231	VY997600	Metal Oxide Film Resistor	4.7 3W J	サ ン キ ン 抵 抗		01
R232	VY997600	Metal Oxide Film Resistor	4.7 3W J	サ ン キ ン 抵 抗		01
R233	VV276700	Flame Proof C. Resistor	4.7 1/4 J	不 燃 化 カ ー ボ ン 抵 抗		01
R234	HF457270	Carbon Resistor	27.0K 1/4 J	カ ー ボ ン 抵 抗		01
R235	HF458150	Carbon Resistor	150.0K 1/4 J	カ ー ボ ン 抵 抗		01
R236	HF456100	Carbon Resistor	1.0K 1/4 J	カ ー ボ ン 抵 抗		01
T101	VY937000	Terminal Angle		タ ー ミ ナ ル ア ン グ ル		01
CN101	VY898000	Lug Terminal	DT-55-A14W-06	貫 通 端 子 台	INPUT(CHANNEL A,B)	
CN102	VV066600	Connector Base Post	M2426XX 6P TE	コ ン ネ ク タ ベ ー ス ポ ス ト		01
CN103	LB932020	Base Post Connector	VH- 2P TE	ベ ー ス ポ ス ト		01
CN105	VV066500	Connector Base Post	M2426XX 5P TE	コ ン ネ ク タ ベ ー ス ポ ス ト		01
CN106	VV067000	Connector Base Post	M2426XX 10P TE	コ ン ネ ク タ ベ ー ス ポ ス ト		01
CN107	LB932020	Base Post Connector	VH- 2P TE	ベ ー ス ポ ス ト		01
CN108	LB932020	Base Post Connector	VH- 2P TE	ベ ー ス ポ ス ト		01
CN207	LB932020	Base Post Connector	VH- 2P TE	ベ ー ス ポ ス ト		01
IC101	XM085A0U	IC	M5238AP	ア ン プ リ シ ョ ン	OPAMP	03
IC102	XK841A0U	IC	NJM7818FA	電 源	REGULATOR +18V	02
IC103	XK842A0U	IC	NJM7818FA	電 源	REGULATOR -18V	02
IC201	XM085A0U	IC	M5238AP	ア ン プ リ シ ョ ン	OPAMP	03
JK101	VS133800	XLM Connector	NC3FAH1-0	キ ャ ノ ン コ ネ ク タ	INPUT A(XLR-3-31)	04
JK102	VY898300	Phone Jack	ST JY6313-02-030	ホ ー ン コ ネ ク タ	INPUT A(PHONE)	04
JK201	VS133800	XLM Connector	NC3FAH1-0	キ ャ ノ ン コ ネ ク タ	INPUT B(XLR-3-31)	04
JK202	VY898300	Phone Jack	ST JY6313-02-030	ホ ー ン コ ネ ク タ	INPUT B(PHONE)	04
RY301	VV315400	Relay	DC OSA-SH-224DM3M	リ レ ー	2 4 V	06
SP101	VY897900	Speaker Terminal	B30490243N	ス ピ ー カ 端 子	SPEAKERS	
SW101	VY898200	Slide Switch	SSSF123NB2-YL L=9	ス ラ イ ド S W	STEREO/BRIDGE/PARALLEL	
10	EP600140	Bind Head Tapping Screw-B	3.0X10 MFZN2BL	+ バ イ ン ド B タ イ ト		2 01
30	--	Jumper Wire	0.60	ジ ャ ン パ ー 線	(VV29140)	37 01
	VZ013500	Circuit Board	PA	P A シ ー ト	(XT283A0)	
C101	FG652100	Ceramic Capacitor-SL	100P 50V J	セ ラ コ ン (S L)		01
C102	FU451220	Mica Capacitor	22P 500V J	マ イ カ コ ン		01
C103	FU451220	Mica Capacitor	22P 500V J	マ イ カ コ ン		01
C104	FG644100	Ceramic Capacitor-F	0.0100 50V Z	セ ラ コ ン F		01
C105	UJ896470	Electrolytic Cap.	4.7 100.0V	ケ ミ コ ン		01
C106	UJ896470	Electrolytic Cap.	4.7 100.0V	ケ ミ コ ン		01
C107	UJ847100	Electrolytic Cap.	10.00 25.0V	ケ ミ コ ン		01
C108	FU451100	Mica Capacitor	10P 500V D	マ イ カ コ ン		01
C109	FU452100	Mica Capacitor	100P 500V J	マ イ カ コ ン		01
C110	FG644100	Ceramic Capacitor-F	0.0100 50V Z	セ ラ コ ン F		01
C111	FG644100	Ceramic Capacitor-F	0.0100 50V Z	セ ラ コ ン F		01
C112	FU451100	Mica Capacitor	10P 500V D	マ イ カ コ ン		01
C113	FU452100	Mica Capacitor	100P 500V J	マ イ カ コ ン		01
C114	VZ004000	Electrolytic Cap. SK	2.2 200.0V	ケ ミ コ ン S K		01
C115	VZ004000	Electrolytic Cap. SK	2.2 200.0V	ケ ミ コ ン S K		01
C116	VV059800	Mylar Capacitor	1000P 50V J	マ イ ラ ー コ ン		01
C117	VV059800	Mylar Capacitor	1000P 50V J	マ イ ラ ー コ ン		01
C118	VV082200	Mylar Capacitor	3.3000 100V M	フ ィ ル ム コ ン		03
C119	VV082200	Mylar Capacitor	3.3000 100V M	フ ィ ル ム コ ン		03
C120	VZ004000	Electrolytic Cap. SK	2.2 200.0V	ケ ミ コ ン S K		01
C121	VZ004000	Electrolytic Cap. SK	2.2 200.0V	ケ ミ コ ン S K		01
C122	FU451470	Mica Capacitor	47P 500V J	マ イ カ コ ン		01
C123	FU451470	Mica Capacitor	47P 500V J	マ イ カ コ ン		01
C124	VV314600	Ceramic Capacitor-B	0.0022 500V K	セ ラ コ ン B		01
C125	VV314600	Ceramic Capacitor-B	0.0022 500V K	セ ラ コ ン B		01
C126	FG644100	Ceramic Capacitor-F	0.0100 50V Z	セ ラ コ ン F		01
C127	UJ698100	Electrolytic Cap.	100.00 100.0V	ケ ミ コ ン		01
C128	UJ698100	Electrolytic Cap.	100.00 100.0V	ケ ミ コ ン		01
C202	FU451220	Mica Capacitor	22P 500V J	マ イ カ コ ン		01
C203	FU451220	Mica Capacitor	22P 500V J	マ イ カ コ ン		01
C204	FG644100	Ceramic Capacitor-F	0.0100 50V Z	セ ラ コ ン F		01
C205	UJ896470	Electrolytic Cap.	4.7 100.0V	ケ ミ コ ン		01

* New Parts (新規部品)

ランク : Japan only

REF. NO.	PART NO.	DESCRIPTION	部 品 名	REMARKS	QTY	ランク
C206	UJ896470	Electrolytic Cap.	4.7 100.0V	ケ ミ コ ン		01
C207	UJ847100	Electrolytic Cap.	10.00 25.0V	ケ ミ コ ン		01
C208	FU451100	Mica Capacitor	10P 500V D	マ イ カ コ ン		01
C210	FG644100	Ceramic Capacitor-F	0.0100 50V Z	セ ラ コ ン F		01
C211	FG644100	Ceramic Capacitor-F	0.0100 50V Z	セ ラ コ ン F		01
C212	FU451100	Mica Capacitor	10P 500V D	マ イ カ コ ン		01
C216	VV059800	Mylar Capacitor	1000P 50V J	マ イ ラ - コ ン		01
C217	VV059800	Mylar Capacitor	1000P 50V J	マ イ ラ - コ ン		01
D101	VG438900	Zener Diode	MTZ J 8.2B 8.2V	ツ エ ナ - ダイ オ - ド		01
D102	VG438900	Zener Diode	MTZ J 8.2B 8.2V	ツ エ ナ - ダイ オ - ド		01
D103	VN478200	Diode	D1NL20U	ダ イ オ - ド		01
D104	VN478200	Diode	D1NL20U	ダ イ オ - ド		01
D105	IF005560	Diode	1SS82TD	ダ イ オ - ド		01
D106	VD631600	Diode	1SS133,176,HSS104	ダ イ オ - ド		01
D107	IF005560	Diode	1SS82TD	ダ イ オ - ド		01
D108	IF005560	Diode	1SS82TD	ダ イ オ - ド		01
D109	VD631600	Diode	1SS133,176,HSS104	ダ イ オ - ド		01
D110	IF005560	Diode	1SS82TD	ダ イ オ - ド		01
D111	VU801600	Diode	1N4004L 26	ダ イ オ - ド		01
D112	VU801600	Diode	1N4004L 26	ダ イ オ - ド		01
D113	VU801600	Diode	1N4004L 26	ダ イ オ - ド		01
D114	VU801600	Diode	1N4004L 26	ダ イ オ - ド		01
D115	VD631600	Diode	1SS133,176,HSS104	ダ イ オ - ド		01
D116	VN771700	Diode	D1NS4	ダ イ オ - ド		01
D117	VN771700	Diode	D1NS4	ダ イ オ - ド		01
D118	VN478200	Diode	D1NL20U	ダ イ オ - ド		01
D119	VN478200	Diode	D1NL20U	ダ イ オ - ド		01
D120	VN771700	Diode	D1NS4	ダ イ オ - ド		01
D121	VN771700	Diode	D1NS4	ダ イ オ - ド		01
D122	VD631600	Diode	1SS133,176,HSS104	ダ イ オ - ド		01
D123	VS135800	Diode Stack	FMX-22S 10.0A 200V	ダイ オ - ド スタ ッ ク		03
D124	VS135800	Diode Stack	FMX-22S 10.0A 200V	ダイ オ - ド スタ ッ ク		03
D125	VR149700	Diode Stack	D8LD40 8.0A 400V	ダイ オ - ド スタ ッ ク		04
D126	VR149700	Diode Stack	D8LD40 8.0A 400V	ダイ オ - ド スタ ッ ク		04
D201	VG438900	Zener Diode	MTZ J 8.2B 8.2V	ツ エ ナ - ダイ オ - ド		01
D202	VG438900	Zener Diode	MTZ J 8.2B 8.2V	ツ エ ナ - ダイ オ - ド		01
D203	VN478200	Diode	D1NL20U	ダ イ オ - ド		01
D204	VN478200	Diode	D1NL20U	ダ イ オ - ド		01
D205	IF005560	Diode	1SS82TD	ダ イ オ - ド		01
D206	VD631600	Diode	1SS133,176,HSS104	ダ イ オ - ド		01
D207	IF005560	Diode	1SS82TD	ダ イ オ - ド		01
D208	IF005560	Diode	1SS82TD	ダ イ オ - ド		01
D209	VD631600	Diode	1SS133,176,HSS104	ダ イ オ - ド		01
D210	IF005560	Diode	1SS82TD	ダ イ オ - ド		01
D212	VU801600	Diode	1N4004L 26	ダ イ オ - ド		01
D213	VU801600	Diode	1N4004L 26	ダ イ オ - ド		01
L101	VY897300	Coil	100UH30A	コ イ ル		01
L102	VY897300	Coil	100UH30A	コ イ ル		01
Q101	VQ547300	Transistor	2SC4793 (HFE)	ト ラ ン ジ ス タ		03
Q102	VU418400	Transistor	2SA1371 D,E	ト ラ ン ジ ス タ		01
Q103	VU418600	Transistor	2SC3468 D,E	ト ラ ン ジ ス タ		01
Q104	IC260320	Transistor	2SC2603 E,F	ト ラ ン ジ ス タ		01
Q105	IA111520	Transistor	2SA1115 E,F	ト ラ ン ジ ス タ		01
Q106	VU418600	Transistor	2SC3468 D,E	ト ラ ン ジ ス タ		01
Q107	VU418400	Transistor	2SA1371 D,E	ト ラ ン ジ ス タ		01
Q108	VR152900	Transistor	2SC3790 E,F	ト ラ ン ジ ス タ		02
Q109	VR152800	Transistor	2SA1480 E,F	ト ラ ン ジ ス タ		02
Q124	IA097030	Transistor	2SA970 GR,BL	ト ラ ン ジ ス タ		01
Q125	IC224030	Transistor	2SC2240 GR,BL	ト ラ ン ジ ス タ		01
Q201	VQ547300	Transistor	2SC4793 (HFE)	ト ラ ン ジ ス タ		03
Q202	VU418400	Transistor	2SA1371 D,E	ト ラ ン ジ ス タ		01
Q203	VU418600	Transistor	2SC3468 D,E	ト ラ ン ジ ス タ		01
Q204	IC260320	Transistor	2SC2603 E,F	ト ラ ン ジ ス タ		01
Q205	IA111520	Transistor	2SA1115 E,F	ト ラ ン ジ ス タ		01
Q208	VR152900	Transistor	2SC3790 E,F	ト ラ ン ジ ス タ		02
Q209	VR152800	Transistor	2SA1480 E,F	ト ラ ン ジ ス タ		02
R101	HF456220	Carbon Resistor	2.2K 1/4 J	カ - ボ ン 抵 抗		01
R102	HF455330	Carbon Resistor	330.0 1/4 J	カ - ボ ン 抵 抗		01
R103	HF455220	Carbon Resistor	220.0 1/4 J	カ - ボ ン 抵 抗		01
R104	HF455220	Carbon Resistor	220.0 1/4 J	カ - ボ ン 抵 抗		01

* New Parts (新規部品)

ランク : Japan only

REF NO.	PART NO.	DESCRIPTION	部 品 名	REMARKS	QTY	ランク
R105	HF457470	Carbon Resistor	47.0K 1/4 J	力 - ボン 抵抗		01
R106	HF457470	Carbon Resistor	47.0K 1/4 J	力 - ボン 抵抗		01
R107	HF457470	Carbon Resistor	47.0K 1/4 J	力 - ボン 抵抗		01
R108	HF457470	Carbon Resistor	47.0K 1/4 J	力 - ボン 抵抗		01
R109	HF457100	Carbon Resistor	10.0K 1/4 J	力 - ボン 抵抗		01
R110	HF457100	Carbon Resistor	10.0K 1/4 J	力 - ボン 抵抗		01
R111	VV313900	Flame Proof C. Resistor	680.0 1/4 J	不燃化力-ボン抵抗		01
R112	VV313900	Flame Proof C. Resistor	680.0 1/4 J	不燃化力-ボン抵抗		01
R113	VZ009300	Flame Proof C. Resistor	330.0 1/4 J	不燃化力-ボン抵抗		01
R114	VZ009300	Flame Proof C. Resistor	330.0 1/4 J	不燃化力-ボン抵抗		01
R115	HF456560	Carbon Resistor	5.6K 1/4 J	力 - ボン 抵抗		01
R116	HF456560	Carbon Resistor	5.6K 1/4 J	力 - ボン 抵抗		01
R117	VV313800	Flame Proof C. Resistor	220.0 1/4 J	不燃化力-ボン抵抗		01
R118	VV313800	Flame Proof C. Resistor	220.0 1/4 J	不燃化力-ボン抵抗		01
R119	VZ008800	Flame Proof C. Resistor	22.0 1/4 J	不燃化力-ボン抵抗		01
R120	VZ008800	Flame Proof C. Resistor	22.0 1/4 J	不燃化力-ボン抵抗		01
R121	VZ008700	Flame Proof C. Resistor	2.2K 1/4 J	不燃化力-ボン抵抗		01
R122	VZ008700	Flame Proof C. Resistor	2.2K 1/4 J	不燃化力-ボン抵抗		01
R123	VZ008500	Flame Proof C. Resistor	120.0 1/4 J	不燃化力-ボン抵抗		01
R124	VZ008500	Flame Proof C. Resistor	120.0 1/4 J	不燃化力-ボン抵抗		01
R125	VZ008600	Flame Proof C. Resistor	150.0 1/4 J	不燃化力-ボン抵抗		01
R126	VZ008600	Flame Proof C. Resistor	150.0 1/4 J	不燃化力-ボン抵抗		01
R127	VZ009100	Flame Proof C. Resistor	33.0 1/4 J	不燃化力-ボン抵抗		01
R128	VZ009100	Flame Proof C. Resistor	33.0 1/4 J	不燃化力-ボン抵抗		01
R129	VZ009100	Flame Proof C. Resistor	33.0 1/4 J	不燃化力-ボン抵抗		01
R130	VZ009100	Flame Proof C. Resistor	33.0 1/4 J	不燃化力-ボン抵抗		01
* R131	VZ370100	Wire Wound Resistor	0.47 5W K	セメント抵抗		01
* R132	VZ370100	Wire Wound Resistor	0.47 5W K	セメント抵抗		01
* R133	VZ370100	Wire Wound Resistor	0.47 5W K	セメント抵抗		01
* R134	VZ370100	Wire Wound Resistor	0.47 5W K	セメント抵抗		01
R135	VZ008800	Flame Proof C. Resistor	22.0 1/4 J	不燃化力-ボン抵抗		01
R136	VZ008800	Flame Proof C. Resistor	22.0 1/4 J	不燃化力-ボン抵抗		01
R137	VZ008800	Flame Proof C. Resistor	22.0 1/4 J	不燃化力-ボン抵抗		01
R138	VZ008800	Flame Proof C. Resistor	22.0 1/4 J	不燃化力-ボン抵抗		01
R139	VV313600	Flame Proof C. Resistor	2.2 1/4 J	不燃化力-ボン抵抗		01
R140	VV313600	Flame Proof C. Resistor	2.2 1/4 J	不燃化力-ボン抵抗		01
R141	VV313600	Flame Proof C. Resistor	2.2 1/4 J	不燃化力-ボン抵抗		01
R142	VV313600	Flame Proof C. Resistor	2.2 1/4 J	不燃化力-ボン抵抗		01
R143	VV313600	Flame Proof C. Resistor	2.2 1/4 J	不燃化力-ボン抵抗		01
R144	VV313600	Flame Proof C. Resistor	2.2 1/4 J	不燃化力-ボン抵抗		01
* R145	VZ370200	Wire Wound Resistor	0.1 5W K	セメント抵抗		01
* R146	VZ370200	Wire Wound Resistor	0.1 5W K	セメント抵抗		01
* R147	VZ370200	Wire Wound Resistor	0.1 5W K	セメント抵抗		01
* R148	VZ370200	Wire Wound Resistor	0.1 5W K	セメント抵抗		01
* R149	VZ370200	Wire Wound Resistor	0.1 5W K	セメント抵抗		01
* R150	VZ370200	Wire Wound Resistor	0.1 5W K	セメント抵抗		01
R151	VV058500	Flame Proof C. Resistor	10.0 1/4 J	不燃化力-ボン抵抗		01
R152	VV058500	Flame Proof C. Resistor	10.0 1/4 J	不燃化力-ボン抵抗		01
R153	VV058500	Flame Proof C. Resistor	10.0 1/4 J	不燃化力-ボン抵抗		01
R154	VV058500	Flame Proof C. Resistor	10.0 1/4 J	不燃化力-ボン抵抗		01
R155	VZ009100	Flame Proof C. Resistor	33.0 1/4 J	不燃化力-ボン抵抗		01
R156	VZ009100	Flame Proof C. Resistor	33.0 1/4 J	不燃化力-ボン抵抗		01
R157	HF456220	Carbon Resistor	2.2K 1/4 J	力 - ボン 抵抗		01
R158	HF456220	Carbon Resistor	2.2K 1/4 J	力 - ボン 抵抗		01
R159	HF457820	Carbon Resistor	82.0K 1/4 J	力 - ボン 抵抗		01
R160	HF457820	Carbon Resistor	82.0K 1/4 J	力 - ボン 抵抗		01
R161	HF455470	Carbon Resistor	470.0 1/4 J	力 - ボン 抵抗		01
R162	HF455470	Carbon Resistor	470.0 1/4 J	力 - ボン 抵抗		01
R163	VZ009300	Flame Proof C. Resistor	330.0 1/4 J	不燃化力-ボン抵抗		01
R164	VZ009300	Flame Proof C. Resistor	330.0 1/4 J	不燃化力-ボン抵抗		01
R165	VV276700	Flame Proof C. Resistor	4.7 1/4 J	不燃化力-ボン抵抗		01
R166	VV276700	Flame Proof C. Resistor	4.7 1/4 J	不燃化力-ボン抵抗		01
R167	VV313600	Flame Proof C. Resistor	2.2 1/4 J	不燃化力-ボン抵抗		01
R168	VV313600	Flame Proof C. Resistor	2.2 1/4 J	不燃化力-ボン抵抗		01
R169	VV313600	Flame Proof C. Resistor	2.2 1/4 J	不燃化力-ボン抵抗		01
R170	VV313600	Flame Proof C. Resistor	2.2 1/4 J	不燃化力-ボン抵抗		01
R171	VV313600	Flame Proof C. Resistor	2.2 1/4 J	不燃化力-ボン抵抗		01
R172	VV313600	Flame Proof C. Resistor	2.2 1/4 J	不燃化力-ボン抵抗		01
R173	VV313900	Flame Proof C. Resistor	680.0 1/4 J	不燃化力-ボン抵抗		01
R174	VV313900	Flame Proof C. Resistor	680.0 1/4 J	不燃化力-ボン抵抗		01

* New Parts (新規部品)

ランク : Japan only

REF NO.	PART NO.	DESCRIPTION	部 品 名	REMARKS	QTY	ランク
R175	HF454470	Carbon Resistor	47.0 1/4 J	力 - ボ ン 抵 抗		01
R176	HF455390	Carbon Resistor	390.0 1/4 J	力 - ボ ン 抵 抗		01
R177	HF455390	Carbon Resistor	390.0 1/4 J	力 - ボ ン 抵 抗		01
R178	HF455270	Carbon Resistor	270.0 1/4 J	力 - ボ ン 抵 抗		01
R201	HF456220	Carbon Resistor	2.2K 1/4 J	力 - ボ ン 抵 抗		01
R202	HF455330	Carbon Resistor	330.0 1/4 J	力 - ボ ン 抵 抗		01
R203	HF455220	Carbon Resistor	220.0 1/4 J	力 - ボ ン 抵 抗		01
R204	HF455220	Carbon Resistor	220.0 1/4 J	力 - ボ ン 抵 抗		01
R205	HF457470	Carbon Resistor	47.0K 1/4 J	力 - ボ ン 抵 抗		01
R206	HF457470	Carbon Resistor	47.0K 1/4 J	力 - ボ ン 抵 抗		01
R207	HF457470	Carbon Resistor	47.0K 1/4 J	力 - ボ ン 抵 抗		01
R208	HF457470	Carbon Resistor	47.0K 1/4 J	力 - ボ ン 抵 抗		01
R209	HF457100	Carbon Resistor	10.0K 1/4 J	力 - ボ ン 抵 抗		01
R210	HF457100	Carbon Resistor	10.0K 1/4 J	力 - ボ ン 抵 抗		01
R211	VV313900	Flame Proof C. Resistor	680.0 1/4 J	不 燃 化 カ ー ボ ン 抵 抗		01
R212	VV313900	Flame Proof C. Resistor	680.0 1/4 J	不 燃 化 カ ー ボ ン 抵 抗		01
R213	VZ009300	Flame Proof C. Resistor	330.0 1/4 J	不 燃 化 カ ー ボ ン 抵 抗		01
R214	VZ009300	Flame Proof C. Resistor	330.0 1/4 J	不 燃 化 カ ー ボ ン 抵 抗		01
R217	VV313800	Flame Proof C. Resistor	220.0 1/4 J	不 燃 化 カ ー ボ ン 抵 抗		01
R218	VV313800	Flame Proof C. Resistor	220.0 1/4 J	不 燃 化 カ ー ボ ン 抵 抗		01
R223	VZ008500	Flame Proof C. Resistor	120.0 1/4 J	不 燃 化 カ ー ボ ン 抵 抗		01
R224	VZ008500	Flame Proof C. Resistor	120.0 1/4 J	不 燃 化 カ ー ボ ン 抵 抗		01
R227	VZ009100	Flame Proof C. Resistor	33.0 1/4 J	不 燃 化 カ ー ボ ン 抵 抗		01
R228	VZ009100	Flame Proof C. Resistor	33.0 1/4 J	不 燃 化 カ ー ボ ン 抵 抗		01
R229	VZ009100	Flame Proof C. Resistor	33.0 1/4 J	不 燃 化 カ ー ボ ン 抵 抗		01
R230	VZ009100	Flame Proof C. Resistor	33.0 1/4 J	不 燃 化 カ ー ボ ン 抵 抗		01
* R231	VZ370100	Wire Wound Resistor	0.47 5W K	セ メ ン ト 抵 抗		01
* R232	VZ370100	Wire Wound Resistor	0.47 5W K	セ メ ン ト 抵 抗		01
* R233	VZ370100	Wire Wound Resistor	0.47 5W K	セ メ ン ト 抵 抗		01
* R234	VZ370100	Wire Wound Resistor	0.47 5W K	セ メ ン ト 抵 抗		01
R235	VZ008800	Flame Proof C. Resistor	22.0 1/4 J	不 燃 化 カ ー ボ ン 抵 抗		01
R236	VZ008800	Flame Proof C. Resistor	22.0 1/4 J	不 燃 化 カ ー ボ ン 抵 抗		01
R237	VZ008800	Flame Proof C. Resistor	22.0 1/4 J	不 燃 化 カ ー ボ ン 抵 抗		01
R238	VZ008800	Flame Proof C. Resistor	22.0 1/4 J	不 燃 化 カ ー ボ ン 抵 抗		01
R276	HF455390	Carbon Resistor	390.0 1/4 J	力 - ボ ン 抵 抗		01
R277	HF455390	Carbon Resistor	390.0 1/4 J	力 - ボ ン 抵 抗		01
R278	HF455270	Carbon Resistor	270.0 1/4 J	力 - ボ ン 抵 抗		01
W101	--	Connector Assembly	2426&2426 5P 100L	束 線 # 2	(VZ01610)	
W104	--	Connector Assembly	SP 135A	束 線	(VZ01500)	
W105	--	Connector Assembly	SP 1B	束 線	(VZ01520)	
* CN101	VV066500	Connector Base Post	M2426XX 5P TE	コ ネ ク タ ベ ー ス ポ ス ト		
CN102	VV066300	Connector Base Post	M2426XX 3P TE	コ ネ ク タ ベ ー ス ポ ス ト		
CN103	LB932030	Base Post Connector	VH- 3P TE	ベ ー ス ポ ス ト		01
CN104	LB932020	Base Post Connector	VH- 2P TE	ベ ー ス ポ ス ト		01
CN105	LB932020	Base Post Connector	VH- 2P TE	ベ ー ス ポ ス ト		01
CN106	VV067600	Connector Base Post	M2426XXR 2P SE	コ ネ ク タ ベ ー ス ポ ス ト		
CN107	VV067600	Connector Base Post	M2426XXR 2P SE	コ ネ ク タ ベ ー ス ポ ス ト		
PR101	VL965100	Positive Thermistor	PTH9M04BE222TS2	ポ ジ ス タ		04
PR102	VL964800	Positive Thermistor	PTH9M04BH222TS2	ポ ジ ス タ		04
Q110N	VQ547400	Transistor	A1837/C4793 (HFE)	ベ ア ト ラ ン ジ ス タ		04
Q111P	VQ547400	Transistor	A1837/C4793 (HFE)	ベ ア ト ラ ン ジ ス タ		04
Q112N	VQ547400	Transistor	A1837/C4793 (HFE)	ベ ア ト ラ ン ジ ス タ		04
Q113P	VQ547400	Transistor	A1837/C4793 (HFE)	ベ ア ト ラ ン ジ ス タ		04
Q114N	VZ222300	Pair Transistor	A1492C3856(Z)(210)	ベ ア ト ラ ン ジ ス タ		
Q115N	VZ222300	Pair Transistor	A1492C3856(Z)(210)	ベ ア ト ラ ン ジ ス タ		
Q116P	VZ222300	Pair Transistor	A1492C3856(Z)(210)	ベ ア ト ラ ン ジ ス タ		
Q117P	VZ222300	Pair Transistor	A1492C3856(Z)(210)	ベ ア ト ラ ン ジ ス タ		
Q118N	VZ222300	Pair Transistor	A1492C3856(Z)(210)	ベ ア ト ラ ン ジ ス タ		
Q119N	VZ222300	Pair Transistor	A1492C3856(Z)(210)	ベ ア ト ラ ン ジ ス タ		
Q120N	VZ222300	Pair Transistor	A1492C3856(Z)(210)	ベ ア ト ラ ン ジ ス タ		
Q121P	VZ222300	Pair Transistor	A1492C3856(Z)(210)	ベ ア ト ラ ン ジ ス タ		
Q122P	VZ222300	Pair Transistor	A1492C3856(Z)(210)	ベ ア ト ラ ン ジ ス タ		
Q123P	VZ222300	Pair Transistor	A1492C3856(Z)(210)	ベ ア ト ラ ン ジ ス タ		
Q126P	VR732800	Transistor	A1859A/C4883A	ベ ア ト ラ ン ジ ス タ		04
Q127N	VR732800	Transistor	A1859A/C4883A	ベ ア ト ラ ン ジ ス タ		04
Q128N	VZ222300	Pair Transistor	A1492C3856(Z)(210)	ベ ア ト ラ ン ジ ス タ		
Q129N	VZ222300	Pair Transistor	A1492C3856(Z)(210)	ベ ア ト ラ ン ジ ス タ		
Q130N	VZ222300	Pair Transistor	A1492C3856(Z)(210)	ベ ア ト ラ ン ジ ス タ		
Q131P	VZ222300	Pair Transistor	A1492C3856(Z)(210)	ベ ア ト ラ ン ジ ス タ		
Q132P	VZ222300	Pair Transistor	A1492C3856(Z)(210)	ベ ア ト ラ ン ジ ス タ		

* New Parts (新規部品)

ランク : Japan only

REF NO.	PART NO.	DESCRIPTION		部 品 名	REMARKS	QTY	ランク
Q133P	VZ222300	Pair Transistor	A1492C3856(Z)(210)	ペアトランジスタ			
Q211N	VQ547400	Transistor	A1837/C4793 (HFE)	ペアトランジスタ			04
Q212P	VQ547400	Transistor	A1837/C4793 (HFE)	ペアトランジスタ			04
Q214N	VZ222300	Pair Transistor	A1492C3856(Z)(210)	ペアトランジスタ			
Q215N	VZ222300	Pair Transistor	A1492C3856(Z)(210)	ペアトランジスタ			
Q216P	VZ222300	Pair Transistor	A1492C3856(Z)(210)	ペアトランジスタ			
Q217P	VZ222300	Pair Transistor	A1492C3856(Z)(210)	ペアトランジスタ			
* VR101	VZ352000	Trimmer Potentiometer	B 680 3P	半固定VR			
* VR201	VZ352000	Trimmer Potentiometer	B 680 3P	半固定VR			
	20	Jumper Wire	0.60	ジャンパー線	(VV29140)	57	01
△	VY897500	AC Cord	J VCTF 2X1.25 12A	電源コード	J		
△	VZ021200	AC Cord	UC SJT 3X#18 10A	電源コード	U,V		
△	VZ021400	AC Cord	E H05VV-F3X0.75 6A	電源コード	H,W,A		
△	VZ021600	AC Cord	BS H05VV-F 13A	電源コード	B		
△*	XT102A00	Power Transformer	E	電源トランス	J		
△*	XT367A00	Power Transformer	UL E	電源トランス	U,V		
△*	XT368A00	Power Transformer	CE E	電源トランス	H,W,B		
△*	XT369A00	Power Transformer	AT E	電源トランス	A		
	VY898600	Fan	3110KL-05W-B50-L29	DCファン			

* New Parts (新規部品)

ランク : Japan only

■ P3200 ELECTRICAL PARTS(電気部品)

REF. NO.	PART NO.	DESCRIPTION	部 品 名	REMARKS	QTY	ランク
		ELECTRICAL PARTS	電 気 部 品	P3200		
*	NX818820	Circuit Board	DC 1/4	D C シ ー ト (1 / 4)	J,U,V	(XT214C0)
*	NX818830	Circuit Board	DC 1/4	D C シ ー ト (1 / 4)	H,W,B,A	(XT214C0)
*	NX818840	Circuit Board	DC 2/4	D C シ ー ト (2 / 4)		(XT214C0)
*	NX818850	Circuit Board	DC 3/4	D C シ ー ト (3 / 4)		(XT214C0)
*	NX818860	Circuit Board	DC 4/4	D C シ ー ト (4 / 4)		(XT214C0)
*	VZ013600	Circuit Board	IN	I N シ ー ト		(XT284B0)
*	VZ013400	Circuit Board	PA	P A シ ー ト		(XT285B0)
*	NX818820	Circuit Board	DC 1/4	D C シ ー ト (1 / 4)	J,U,V	(XT214C0)
*	NX818830	Circuit Board	DC 1/4	D C シ ー ト (1 / 4)	H,W,B,A	(XT214C0)
*	NX818840	Circuit Board	DC 2/4	D C シ ー ト (2 / 4)		(XT214C0)
*	NX818850	Circuit Board	DC 3/4	D C シ ー ト (3 / 4)		(XT214C0)
*	NX818860	Circuit Board	DC 4/4	D C シ ー ト (4 / 4)		(XT214C0)
C101	VZ004400	Mylar Capacitor	0.1000 400V M	フ ィ ル ム コ ン		
C102	VZ004400	Mylar Capacitor	0.1000 400V M	フ ィ ル ム コ ン		
C103	VY897100	Electrolytic Cap.	2200 160V	ケ ー ー コ ン		
C104	VY897100	Electrolytic Cap.	2200 160V	ケ ー ー コ ン		
C105	VY897100	Electrolytic Cap.	2200 160V	ケ ー ー コ ン		
C106	VY897100	Electrolytic Cap.	2200 160V	ケ ー ー コ ン		
C107	VY897100	Electrolytic Cap.	2200 160V	ケ ー ー コ ン		
C108	VY897100	Electrolytic Cap.	2200 160V	ケ ー ー コ ン		
C109	UJ866470	Electrolytic Cap.	4.70 50.0V	ケ ー ー コ ン		01
C110	UJ659100	Electrolytic Cap.	1000 35.0V	ケ ー ー コ ン		02
C111	UJ659100	Electrolytic Cap.	1000 35.0V	ケ ー ー コ ン		02
C112	FG652100	Ceramic Capacitor-SL	100P 50V J	セ ラ コ ン (S L)		01
C113	UJ828470	Electrolytic Cap.	470.00 10.0V	ケ ー ー コ ン		01
C114	UJ847470	Electrolytic Cap.	47.00 25.0V	ケ ー ー コ ン		01
C115	UJ866470	Electrolytic Cap.	4.70 50.0V	ケ ー ー コ ン		01
C116	VV314800	Capacitor	1000P 400V J.U.C.S	規 格 認 定 コ ン		01
△	C117	VV314800	Capacitor	1000P 400V J.U.C.S	規 格 認 定 コ ン	01
△	C118	UJ866470	Electrolytic Cap.	4.70 50.0V	ケ ー ー コ ン	01
	C119	UJ866470	Electrolytic Cap.	4.70 50.0V	ケ ー ー コ ン	01
	C120	UJ866100	Electrolytic Cap.	1.00 50.0V	ケ ー ー コ ン	01
	C121	FG613100	Ceramic Capacitor-B	1000P 50V K	セ ラ コ ン B	01
	C122	UJ866100	Electrolytic Cap.	1.00 50.0V	ケ ー ー コ ン	01
	C123	UJ866100	Electrolytic Cap.	1.00 50.0V	ケ ー ー コ ン	01
	C124	FG613100	Ceramic Capacitor-B	1000P 50V K	セ ラ コ ン B	01
	C125	UJ866100	Electrolytic Cap.	1.00 50.0V	ケ ー ー コ ン	01
*	C126	VZ411400	Capacitor	0.22 275V UCS	規 格 認 定 コ ン	
	C127	VY704000	Capacitor	4700P 400V J.U.C.S	規 格 認 定 コ ン	H,W,B,A
	C128	VY704000	Capacitor	4700P 400V J.U.C.S	規 格 認 定 コ ン	H,W,B,A
	D101	VR149900	Diode Stack	D25XB60 25.0A 600V	ダ イ オ ー ド ス タ ッ ク	06
	D102	VU801600	Diode	1N4004L 26	ダ イ オ ー ド	01
	D103	VU801600	Diode	1N4004L 26	ダ イ オ ー ド	01
	D104	VU801600	Diode	1N4004L 26	ダ イ オ ー ド	01
	D105	VU801600	Diode	1N4004L 26	ダ イ オ ー ド	01
	D106	VU801600	Diode	1N4004L 26	ダ イ オ ー ド	01
	D108	VD631600	Diode	1SS133,176,HSS104	ダ イ オ ー ド	01
	D109	VD631600	Diode	1SS133,176,HSS104	ダ イ オ ー ド	01
	D110	VG437700	Zener Diode	MTZ J 5.6B 5.6V	ツ ェ ナ ー ダ イ オ ー ド	01
	D111	VG437700	Zener Diode	MTZ J 5.6B 5.6V	ツ ェ ナ ー ダ イ オ ー ド	01
	D112	VG437700	Zener Diode	MTZ J 5.6B 5.6V	ツ ェ ナ ー ダ イ オ ー ド	01
	D113	VV621000	LED	LT321-41-C13 GR	L E D	SIGNAL A
	D114	VV620800	LED	LT311G-41-C13 RE	L E D	CLIP A
	D115	VV621000	LED	LT321-41-C13 GR	L E D	SIGNAL A
	D116	VV620800	LED	LT311G-41-C13 RE	L E D	CLIP B
	D117	VV620800	LED	LT311G-41-C13 RE	L E D	TEMP
	D118	VV620800	LED	LT311G-41-C13 RE	L E D	PROTECTION
	D119	VV620800	LED	LT311G-41-C13 RE	L E D	POWER
△	E101	BB069510	Ground Plate	#6951 A-8	ラ ン ド 金 具	H,W,B,A
△*	F101	KB001540	Fuse	12.00A UL	ヒ ユ ー ズ	J,U,V
△*	F101	VT943200	Fuse	TH 5.00A S	ヒ ユ ー ズ	H,W,B,A
△*	F102	KB001540	Fuse	12.00A UL	ヒ ユ ー ズ	J,U,V
△*	F102	VT943200	Fuse	TH 5.00A S	ヒ ユ ー ズ	H,W,B,A
	F103	VV070300	Fuse	TDS 1A 250V J/U/C	ヒ ユ ー ズ	J,U,V
	F103	VV071200	Fuse	TSD 1A 250V SEMKO	ヒ ユ ー ズ	H,W,B,A
	F104	VV070300	Fuse	TDS 1A 250V J/U/C	ヒ ユ ー ズ	J,U,V
	F104	VV071200	Fuse	TSD 1A 250V SEMKO	ヒ ユ ー ズ	H,W,B,A
	H101	VY937700	Heat Sink S		ヒ ー ト シ ン ク (S)	01

* New Parts (新規部品)

ランク : Japan only

REF NO.	PART NO.	DESCRIPTION	部 品 名	REMARKS	QTY	ランク
P101	VZ336500	Plastic Rivet	PR-08T GIN LIAN	ブ ラ リ ベ ッ ト		
Q101	IA111520	Transistor	2SA1115 E,F	ト ラ ン ジ ス タ		01
Q102	IC260320	Transistor	2SC2603 E,F	ト ラ ン ジ ス タ		01
Q103	IC260320	Transistor	2SC2603 E,F	ト ラ ン ジ ス タ		01
Q104	IC260320	Transistor	2SC2603 E,F	ト ラ ン ジ ス タ		01
Q105	IA111520	Transistor	2SA1115 E,F	ト ラ ン ジ ス タ		01
Q106	IC260320	Transistor	2SC2603 E,F	ト ラ ン ジ ス タ		01
Q107	VD678500	Digital Transistor	DTA114ES	デ ジ タ ル ト ラ ン ジ ス タ		03
Q108	IC260320	Transistor	2SC2603 E,F	ト ラ ン ジ ス タ		01
Q109	VD678500	Digital Transistor	DTA114ES	デ ジ タ ル ト ラ ン ジ ス タ		03
Q110	IC260320	Transistor	2SC2603 E,F	ト ラ ン ジ ス タ		01
Q111	IA111520	Transistor	2SA1115 E,F	ト ラ ン ジ ス タ		01
Q112	VQ547200	Transistor	2SA1837 (HFE)	ト ラ ン ジ ス タ		03
Q113	IC260320	Transistor	2SC2603 E,F	ト ラ ン ジ ス タ		01
Q114	VD678500	Digital Transistor	DTA114ES	デ ジ タ ル ト ラ ン ジ ス タ		03
Q115	VD678500	Digital Transistor	DTA114ES	デ ジ タ ル ト ラ ン ジ ス タ		03
Q116	VD678700	Digital Transistor	DTC114ES	デ ジ タ ル ト ラ ン ジ ス タ		03
Q117	IC260320	Transistor	2SC2603 E,F	ト ラ ン ジ ス タ		01
Q118	VD678500	Digital Transistor	DTA114ES	デ ジ タ ル ト ラ ン ジ ス タ		03
Q119	VD678500	Digital Transistor	DTA114ES	デ ジ タ ル ト ラ ン ジ ス タ		03
Q120	VD678700	Digital Transistor	DTC114ES	デ ジ タ ル ト ラ ン ジ ス タ		03
Q121	VD678500	Digital Transistor	DTA114ES	デ ジ タ ル ト ラ ン ジ ス タ		03
R101	HF457150	Carbon Resistor	15.0K 1/4 J	カ - ボ ン 抵 抗		01
R102	HF457220	Carbon Resistor	22.0K 1/4 J	カ - ボ ン 抵 抗		01
R103	HF457470	Carbon Resistor	47.0K 1/4 J	カ - ボ ン 抵 抗		01
R104	HF458150	Carbon Resistor	150.0K 1/4 J	カ - ボ ン 抵 抗		01
R105	HF458100	Carbon Resistor	100.0K 1/4 J	カ - ボ ン 抵 抗		01
R106	HF457100	Carbon Resistor	10.0K 1/4 J	カ - ボ ン 抵 抗		01
R107	HF457560	Carbon Resistor	56.0K 1/4 J	カ - ボ ン 抵 抗		01
R108	HF457680	Carbon Resistor	68.0K 1/4 J	カ - ボ ン 抵 抗		01
R109	HF456680	Carbon Resistor	6.8K 1/4 J	カ - ボ ン 抵 抗		01
R110	HF457560	Carbon Resistor	56.0K 1/4 J	カ - ボ ン 抵 抗		01
R111	HF457100	Carbon Resistor	10.0K 1/4 J	カ - ボ ン 抵 抗		01
R112	HF456820	Carbon Resistor	8.2K 1/4 J	カ - ボ ン 抵 抗		01
R113	HF456820	Carbon Resistor	8.2K 1/4 J	カ - ボ ン 抵 抗		01
R114	HF455220	Carbon Resistor	220.0 1/4 J	カ - ボ ン 抵 抗		01
R115	HF455220	Carbon Resistor	220.0 1/4 J	カ - ボ ン 抵 抗		01
R116	HF456470	Carbon Resistor	4.7K 1/4 J	カ - ボ ン 抵 抗		01
R117	HF457100	Carbon Resistor	10.0K 1/4 J	カ - ボ ン 抵 抗		01
R118	HF455220	Carbon Resistor	220.0 1/4 J	カ - ボ ン 抵 抗		01
R119	HF456470	Carbon Resistor	4.7K 1/4 J	カ - ボ ン 抵 抗		01
R120	HF455220	Carbon Resistor	220.0 1/4 J	カ - ボ ン 抵 抗		01
R121	HF456120	Carbon Resistor	1.2K 1/4 J	カ - ボ ン 抵 抗		01
R122	HF456120	Carbon Resistor	1.2K 1/4 J	カ - ボ ン 抵 抗		01
R123	HF456120	Carbon Resistor	1.2K 1/4 J	カ - ボ ン 抵 抗		01
R124	HF456120	Carbon Resistor	1.2K 1/4 J	カ - ボ ン 抵 抗		01
R125	HF456470	Carbon Resistor	4.7K 1/4 J	カ - ボ ン 抵 抗		01
R126	HF457100	Carbon Resistor	10.0K 1/4 J	カ - ボ ン 抵 抗		01
R127	HF455220	Carbon Resistor	220.0 1/4 J	カ - ボ ン 抵 抗		01
R128	HF456470	Carbon Resistor	4.7K 1/4 J	カ - ボ ン 抵 抗		01
R129	HF455220	Carbon Resistor	220.0 1/4 J	カ - ボ ン 抵 抗		01
R130	HF456120	Carbon Resistor	1.2K 1/4 J	カ - ボ ン 抵 抗		01
R131	HF456120	Carbon Resistor	1.2K 1/4 J	カ - ボ ン 抵 抗		01
R132	HF456120	Carbon Resistor	1.2K 1/4 J	カ - ボ ン 抵 抗		01
R133	HF456120	Carbon Resistor	1.2K 1/4 J	カ - ボ ン 抵 抗		01
R134	HF456120	Carbon Resistor	1.2K 1/4 J	カ - ボ ン 抵 抗		01
R135	HF456120	Carbon Resistor	1.2K 1/4 J	カ - ボ ン 抵 抗		01
R136	HF457820	Carbon Resistor	82.0K 1/4 J	カ - ボ ン 抵 抗		01
R137	HF456120	Carbon Resistor	1.2K 1/4 J	カ - ボ ン 抵 抗		01
R138	HF456120	Carbon Resistor	1.2K 1/4 J	カ - ボ ン 抵 抗		01
R139	HF456120	Carbon Resistor	1.2K 1/4 J	カ - ボ ン 抵 抗		01
R140	HF456120	Carbon Resistor	1.2K 1/4 J	カ - ボ ン 抵 抗		01
W101	--	Connector Assembly	E	東 東 線	(VZ01490)	
W102	--	Connector Assembly	+B PRE	東 東 線	(VZ01470)	
W103	--	Connector Assembly	+B PA	東 東 線	(VZ01480)	
W104	--	Connector Assembly	+B PA	東 東 線	(VZ01480)	
W105	--	Connector Assembly	P.SW YE	東 東 線	(VZ01450)	
W106	--	Connector Assembly	P.SW BR	東 東 線	(VZ01460)	
W107	--	Connector Assembly	P.SW BR	東 東 線	(VZ01460)	
W202	--	Connector Assembly	2426&2426 10P 200L	東 東 線 # 2	(VZ01550)	

* New Parts (新規部品)

ランク : Japan only

REF NO.	PART NO.	DESCRIPTION		部 品 名	REMARKS	QTY	ランク
W203	--	Connector Assembly	2426&2426 4P 300L	東 線 # 2 8	(VZ01560)		
W204	--	Connector Assembly	2426&2426 4P 140L	東 線 # 2 8	(VZ01570)		
W218	--	Connector Assembly	VR	東 線 # 2 8	(VZ01530)		
W219	--	Connector Assembly	2426&2426 9P 450L	東 線 # 2 8	(VZ01540)		
CN101	LB932030	Base Post Connector	VH- 3P TE	ベ ー ス ポ ス ト			01
CN102	VV067000	Connector Base Post	M2426XX 10P TE	コ ネ ク タ ベ ー ス ポ ス ト			01
CN103	VV066400	Connector Base Post	M2426XX 4P TE	コ ネ ク タ ベ ー ス ポ ス ト			01
CN104	VV066400	Connector Base Post	M2426XX 4P TE	コ ネ ク タ ベ ー ス ポ ス ト			
CN106	VV066900	Connector Base Post	M2426XX 9P TE	コ ネ ク タ ベ ー ス ポ ス ト			
CN107	VZ005700	Fasten Terminal	TP82223-22	フ ァ ス ト ン 端 子			
CN108	VZ005700	Fasten Terminal	TP82223-22	フ ァ ス ト ン 端 子			
CN109	VZ005700	Fasten Terminal	TP82223-22	フ ァ ス ト ン 端 子			
CN110	VZ005700	Fasten Terminal	TP82223-22	フ ァ ス ト ン 端 子			
CN111	VZ005700	Fasten Terminal	TP82223-22	フ ァ ス ト ン 端 子			
CN112	VZ005700	Fasten Terminal	TP82223-22	フ ァ ス ト ン 端 子			
CN113	VZ005700	Fasten Terminal	TP82223-22	フ ァ ス ト ン 端 子			
CN114	VZ005700	Fasten Terminal	TP82223-22	フ ァ ス ト ン 端 子			
CN115	VZ005700	Fasten Terminal	TP82223-22	フ ァ ス ト ン 端 子			
CN116	VZ005700	Fasten Terminal	TP82223-22	フ ァ ス ト ン 端 子			
CN117	VZ005700	Fasten Terminal	TP82223-22	フ ァ ス ト ン 端 子			
CN118	VV066600	Connector Base Post	M2426XX 6P TE	コ ネ ク タ ベ ー ス ポ ス ト			01
CN119	VV066900	Connector Base Post	M2426XX 9P TE	コ ネ ク タ ベ ー ス ポ ス ト			
CN120	VV066200	Connector Base Post	M2426XX 2P TE	コ ネ ク タ ベ ー ス ポ ス ト			
CN121	VV066200	Connector Base Post	M2426XX 2P TE	コ ネ ク タ ベ ー ス ポ ス ト			
SW101	VV898100	Push Switch	SDDFA3107U-YL UCS	プ ッ シ ュ S W			
VR101	VI575600	Rotary Variable Resistor	5K	ロ ー タ リ ー V R			03
VR102	VI575600	Rotary Variable Resistor	5K	ロ ー タ リ ー V R			03
10	VB763800	Bind Head Screw	SP 3.0X12 MFZN2Y	+ バ イ ト リ 小 ネ ジ			01
20	VV319600	Fuse Holder	CQ-05CT	ヒ ュ ー ス ホ ル ダ			01
30	VV307300	LED Spacer	SR200	L E D ス ペ ー サ			01
50	--	Jumper Wire	0.60	ジ ャ ン パ ー 線	(VV29140)		01
	VZ013600	Circuit Board	IN	I N シ ー ト	(XT284B0)		
C101	FU451560	Mica Capacitor	56P 500V J	マ イ カ コ ン			
C102	FU451560	Mica Capacitor	56P 500V J	マ イ カ コ ン			
C103	FG644100	Ceramic Capacitor-F	0.0100 50V Z	セ ラ コ ン F			01
C104	FG644100	Ceramic Capacitor-F	0.0100 50V Z	セ ラ コ ン F			01
C105	FU451100	Mica Capacitor	10P 500V D	マ イ カ コ ン			01
C106	VZ004000	Electrolytic Cap.-SK	2.2 200.0V	ケ ミ コ ン S K			
C107	VZ004000	Electrolytic Cap.-SK	2.2 200.0V	ケ ミ コ ン S K			
C108	UJ847100	Electrolytic Cap.	10.00 25.0V	ケ ミ コ ン			01
C109	FU451330	Mica Capacitor	33P 500V J	マ イ カ コ ン			01
C110	FG652100	Ceramic Capacitor-SL	100P 50V J	セ ラ コ ン (S L)			01
C111	UJ828100	Electrolytic Cap.	100.00 10.0V	ケ ミ コ ン			01
C112	VV060100	Mylar Capacitor	1500P 50V J	マ イ ラ ー コ ン			
C113	VZ004200	Mylar Capacitor	0.1000 100V M	フ ィ ル ム コ ン			
C114	VZ004200	Mylar Capacitor	0.1000 100V M	フ ィ ル ム コ ン			
C115	VZ012200	Ceramic Capacitor-B	0.001 500V K	セ ラ コ ン B			
C116	VZ012200	Ceramic Capacitor-B	0.001 500V K	セ ラ コ ン B			
C201	FU451560	Mica Capacitor	56P 500V J	マ イ カ コ ン			
C202	FU451560	Mica Capacitor	56P 500V J	マ イ カ コ ン			
C203	FG644100	Ceramic Capacitor-F	0.0100 50V Z	セ ラ コ ン F			01
C204	FG644100	Ceramic Capacitor-F	0.0100 50V Z	セ ラ コ ン F			01
C206	VZ004000	Electrolytic Cap.-SK	2.2 200.0V	ケ ミ コ ン S K			
C207	VZ004000	Electrolytic Cap.-SK	2.2 200.0V	ケ ミ コ ン S K			
C208	UJ847100	Electrolytic Cap.	10.00 25.0V	ケ ミ コ ン			01
C209	FU451330	Mica Capacitor	33P 500V J	マ イ カ コ ン			01
C210	FG652100	Ceramic Capacitor-SL	100P 50V J	セ ラ コ ン (S L)			01
C211	UJ828100	Electrolytic Cap.	100.00 10.0V	ケ ミ コ ン			01
C212	VV060100	Mylar Capacitor	1500P 50V J	マ イ ラ ー コ ン			
C213	VZ004200	Mylar Capacitor	0.1000 100V M	フ ィ ル ム コ ン			
C214	VZ004200	Mylar Capacitor	0.1000 100V M	フ ィ ル ム コ ン			
C215	VZ012200	Ceramic Capacitor-B	0.001 500V K	セ ラ コ ン B			
C216	VZ012200	Ceramic Capacitor-B	0.001 500V K	セ ラ コ ン B			
C301	UJ867470	Electrolytic Cap.	47.00 50.0V	ケ ミ コ ン			01
C302	UJ867470	Electrolytic Cap.	47.00 50.0V	ケ ミ コ ン			01
C303	UJ847470	Electrolytic Cap.	47.00 25.0V	ケ ミ コ ン			01
C304	UJ847470	Electrolytic Cap.	47.00 25.0V	ケ ミ コ ン			01
D101	VD631600	Diode	1SS133,176,HSS104	ダ イ オ ー ド			01
D102	VD631600	Diode	1SS133,176,HSS104	ダ イ オ ー ド			01

* New Parts (新規部品)

ランク : Japan only

REF NO.	PART NO.	DESCRIPTION	部 品 名	REMARKS	QTY	ランク
D103	VD631600	Diode	1SS133,176,HSS104	ダイオード		01
D104	VD631600	Diode	1SS133,176,HSS104	ダイオード		01
D105	VD631600	Diode	1SS133,176,HSS104	ダイオード		01
D106	VD631600	Diode	1SS133,176,HSS104	ダイオード		01
D107	VU801600	Diode	1N4004L 26	ダイオード		01
D201	VD631600	Diode	1SS133,176,HSS104	ダイオード		01
D202	VD631600	Diode	1SS133,176,HSS104	ダイオード		01
D203	VD631600	Diode	1SS133,176,HSS104	ダイオード		01
D204	VD631600	Diode	1SS133,176,HSS104	ダイオード		01
D205	VD631600	Diode	1SS133,176,HSS104	ダイオード		01
D206	VD631600	Diode	1SS133,176,HSS104	ダイオード		01
L101	VR150900	Coil	RZ-001 21MM	空芯コイル		02
L201	VR150900	Coil	RZ-001 21MM	空芯コイル		02
Q101	VU418400	Transistor	2SA1371 D,E	トランジスタ		01
Q102	VU418400	Transistor	2SA1371 D,E	トランジスタ		01
Q103	VU418400	Transistor	2SA1371 D,E	トランジスタ		01
Q104	VU418600	Transistor	2SC3468 D,E	トランジスタ		01
Q105	1C1815M0	Transistor	2SC1815 Y,GR	トランジスタ		01
Q106	1C1815M0	Transistor	2SC1815 Y,GR	トランジスタ		01
Q107	1C1815M0	Transistor	2SC1815 Y,GR	トランジスタ		01
Q108	VR152800	Transistor	2SA1480 E,F	トランジスタ		02
Q109	1A101590	Transistor	2SA1015 O,Y	トランジスタ		01
Q110	VR152900	Transistor	2SC3790 E,F	トランジスタ		02
Q201	VU418400	Transistor	2SA1371 D,E	トランジスタ		01
Q202	VU418400	Transistor	2SA1371 D,E	トランジスタ		01
Q203	VU418400	Transistor	2SA1371 D,E	トランジスタ		01
Q204	VU418600	Transistor	2SC3468 D,E	トランジスタ		01
Q205	1C1815M0	Transistor	2SC1815 Y,GR	トランジスタ		01
Q206	1C1815M0	Transistor	2SC1815 Y,GR	トランジスタ		01
Q207	1C1815M0	Transistor	2SC1815 Y,GR	トランジスタ		01
Q208	VR152800	Transistor	2SA1480 E,F	トランジスタ		02
Q209	1A101590	Transistor	2SA1015 O,Y	トランジスタ		01
Q210	VR152900	Transistor	2SC3790 E,F	トランジスタ		02
R101	VZ009900	Metal Film Resistor	15K 1/4 F	金属被膜抵抗		
R102	VZ009900	Metal Film Resistor	15K 1/4 F	金属被膜抵抗		
R103	VZ009900	Metal Film Resistor	15K 1/4 F	金属被膜抵抗		
R104	VZ009900	Metal Film Resistor	15K 1/4 F	金属被膜抵抗		
R105	HF454180	Carbon Resistor	18.0 1/4 J	カーボン抵抗		01
R106	VV065200	Metal Film Resistor	4.7K 1/4 F	金属被膜抵抗		
R107	VV065200	Metal Film Resistor	4.7K 1/4 F	金属被膜抵抗		
R108	HF454180	Carbon Resistor	18.0 1/4 J	カーボン抵抗		01
R109	HF456470	Carbon Resistor	4.7K 1/4 J	カーボン抵抗		01
R110	HF457220	Carbon Resistor	22.0K 1/4 J	カーボン抵抗		01
R111	VZ010600	Metal Film Resistor	560.0 1/4 F	金属被膜抵抗		
R112	VV065600	Metal Film Resistor	11K 1/4 F	金属被膜抵抗		
R113	VV065600	Metal Film Resistor	11K 1/4 F	金属被膜抵抗		
R114	HF455560	Carbon Resistor	560.0 1/4 J	カーボン抵抗		01
R115	HF457100	Carbon Resistor	10.0K 1/4 J	カーボン抵抗		01
R116	HF458330	Carbon Resistor	330.0K 1/4 J	カーボン抵抗		01
R117	HF455560	Carbon Resistor	560.0 1/4 J	カーボン抵抗		01
R118	HF455560	Carbon Resistor	560.0 1/4 J	カーボン抵抗		01
R119	HF455200	Carbon Resistor	200.0 1/4 J	カーボン抵抗		01
R120	HF457470	Carbon Resistor	47.0K 1/4 J	カーボン抵抗		01
R121	HF457470	Carbon Resistor	47.0K 1/4 J	カーボン抵抗		01
R122	HF455220	Carbon Resistor	220.0 1/4 J	カーボン抵抗		01
R123	HF457470	Carbon Resistor	47.0K 1/4 J	カーボン抵抗		01
R124	HF457470	Carbon Resistor	47.0K 1/4 J	カーボン抵抗		01
R125	HF457470	Carbon Resistor	47.0K 1/4 J	カーボン抵抗		01
R126	HF457470	Carbon Resistor	47.0K 1/4 J	カーボン抵抗		01
R127	HF455330	Carbon Resistor	330.0 1/4 J	カーボン抵抗		01
R128	HF455330	Carbon Resistor	330.0 1/4 J	カーボン抵抗		01
R129	VZ009400	Flame Proof C. Resistor	820.0 1/4 J	不燃化カーボン抵抗		
R130	VZ009400	Flame Proof C. Resistor	820.0 1/4 J	不燃化カーボン抵抗		
R131	VY997600	Metal Oxide Film Resistor	4.7 3W J	サニキ抵抗		
R132	VY997600	Metal Oxide Film Resistor	4.7 3W J	サニキ抵抗		
R133	VV276700	Flame Proof C. Resistor	4.7 1/4 J	不燃化カーボン抵抗		01
R134	HF457270	Carbon Resistor	27.0K 1/4 J	カーボン抵抗		01
R135	HF458150	Carbon Resistor	150.0K 1/4 J	カーボン抵抗		01
R136	HF456100	Carbon Resistor	1.0K 1/4 J	カーボン抵抗		01
R201	VZ009900	Metal Film Resistor	15K 1/4 F	金属被膜抵抗		

* New Parts (新規部品)

ランク : Japan only

REF NO.	PART NO.	DESCRIPTION	部 品 名	REMARKS	QTY	722
R202	VZ009900	Metal Film Resistor	15K 1/4 F	金 属 被 膜 抵 抗		
R203	VZ009900	Metal Film Resistor	15K 1/4 F	金 属 被 膜 抵 抗		
R204	VZ009900	Metal Film Resistor	15K 1/4 F	金 属 被 膜 抵 抗		
R205	HF454180	Carbon Resistor	18.0 1/4 J	力 ー ボ ン 抵 抗		01
R210	HF457220	Carbon Resistor	22.0K 1/4 J	力 ー ボ ン 抵 抗		01
R211	VZ010600	Metal Film Resistor	560.0 1/4 F	金 属 被 膜 抵 抗		
R212	VV065600	Metal Film Resistor	11K 1/4 F	金 属 被 膜 抵 抗		
R213	VV065600	Metal Film Resistor	11K 1/4 F	金 属 被 膜 抵 抗		
R214	HF455560	Carbon Resistor	560.0 1/4 J	力 ー ボ ン 抵 抗		01
R215	HF457100	Carbon Resistor	10.0K 1/4 J	力 ー ボ ン 抵 抗		01
R216	HF458330	Carbon Resistor	330.0K 1/4 J	力 ー ボ ン 抵 抗		01
R217	HF455560	Carbon Resistor	560.0 1/4 J	力 ー ボ ン 抵 抗		01
R218	HF455560	Carbon Resistor	560.0 1/4 J	力 ー ボ ン 抵 抗		01
R219	HF455200	Carbon Resistor	200.0 1/4 J	力 ー ボ ン 抵 抗		01
R220	HF457470	Carbon Resistor	47.0K 1/4 J	力 ー ボ ン 抵 抗		01
R221	HF457470	Carbon Resistor	47.0K 1/4 J	力 ー ボ ン 抵 抗		01
R222	HF455220	Carbon Resistor	220.0 1/4 J	力 ー ボ ン 抵 抗		01
R223	HF457470	Carbon Resistor	47.0K 1/4 J	力 ー ボ ン 抵 抗		01
R224	HF457470	Carbon Resistor	47.0K 1/4 J	力 ー ボ ン 抵 抗		01
R225	HF457470	Carbon Resistor	47.0K 1/4 J	力 ー ボ ン 抵 抗		01
R226	HF457470	Carbon Resistor	47.0K 1/4 J	力 ー ボ ン 抵 抗		01
R227	HF455330	Carbon Resistor	330.0 1/4 J	力 ー ボ ン 抵 抗		01
R228	HF455330	Carbon Resistor	330.0 1/4 J	力 ー ボ ン 抵 抗		01
R229	VZ009400	Flame Proof C. Resistor	820.0 1/4 J	不 燃 化 カ ー ボ ン 抵 抗		
R230	VZ009400	Flame Proof C. Resistor	820.0 1/4 J	不 燃 化 カ ー ボ ン 抵 抗		
R231	VY997600	Metal Oxide Film Resistor	4.7 3W J	サ ン キ ン 抵 抗		
R232	VY997600	Metal Oxide Film Resistor	4.7 3W J	サ ン キ ン 抵 抗		
R233	VV276700	Flame Proof C. Resistor	4.7 1/4 J	不 燃 化 カ ー ボ ン 抵 抗		01
R234	HF457270	Carbon Resistor	27.0K 1/4 J	力 ー ボ ン 抵 抗		01
R235	HF458150	Carbon Resistor	150.0K 1/4 J	力 ー ボ ン 抵 抗		01
R236	HF456100	Carbon Resistor	1.0K 1/4 J	力 ー ボ ン 抵 抗		01
T101	VY937000	Terminal Assembly		タ ー ミ ナ ル ア ン グ ル		
W104	---	Connector Assembly	2426&2426 3P 100L	束 線 # 2 8	(VZ01590)	
W107	---	Connector Assembly	SP 135A	束 線 # 2 線	(VZ01500)	
W204	---	Connector Assembly	2426&2426 3P 80L	束 線 # 2 8	(VZ01600)	
WN207	---	Connector Assembly	SP 35B	束 線	(VZ01510)	
CN101	VY898000	Lug Terminal	DT-55-A14W-06	貫 通 端 子 台	INPUT(CHANNEL A,B)	
CN102	VV066600	Connector Base Post	M2426XX 6P TE	コ ン ネ ク タ ベ ー ス ポ ス ト		01
CN103	LB932020	Base Post Connector	VH- 2P TE	ベ ー ス ポ ス ト		01
CN104	VV066300	Connector Base Post	M2426XX 3P TE	コ ン ネ ク タ ベ ー ス ポ ス ト		
CN106	VV067000	Connector Base Post	M2426XX 10P TE	コ ン ネ ク タ ベ ー ス ポ ス ト		
CN107	LB932020	Base Post Connector	VH- 2P TE	ベ ー ス ポ ス ト		01
CN108	LB932020	Base Post Connector	VH- 2P TE	ベ ー ス ポ ス ト		01
CN204	VV066300	Connector Base Post	M2426XX 3P TE	コ ン ネ ク タ ベ ー ス ポ ス ト		
CN207	LB932020	Base Post Connector	VH- 2P TE	ベ ー ス ポ ス ト		01
IC101	XM085A00	IC	M5238AP		C OPAMP	03
IC102	XK841A00	IC	NJM7818FA		C REGULATOR +18V	02
IC103	XK842A00	IC	NJM7918FA		C REGULATOR -18V	02
IC201	XM085A00	IC	M5238AP		C OPAMP	03
JK101	VS133800	XLM Connector	NC3FAH1-0	キ ャ ノ ン コ ネ ク タ	INPUT A(XLR-3-31)	04
JK102	VY898300	Phone Jack	ST JY6313-02-030	ホ ー ン コ ネ ク タ	INPUT A(Phone)	
JK201	VS133800	XLM Connector	NC3FAH1-0	キ ャ ノ ン コ ネ ク タ	INPUT B(XLR-3-31)	04
JK202	VY898300	Phone Jack	ST JY6313-02-030	ホ ー ン コ ネ ク タ	INPUT B(Phone)	
RY101	VV315400	Relay	DC OSA-SH-224DM3M	リ レ ー 2 4 V		06
RY201	VV315400	Relay	DC OSA-SH-224DM3M	リ レ ー 2 4 V		06
SP101	VY897900	Speaker Terminal	B30490243N	ス ピ ー カ 端 子	SPEAKERS	
SW101	VY898200	Slide Switch	SSSF123NB2-YL L=9	ス ラ イ ド S W	STEREO/BRIDGE/PARALLEL	
10	EP600140	Bind Head Tapping Screw-B	3.0X10 MFZN2BL	+ バ イ ン ド B タ イ ト	(XT284B0)	01
30	---	Jumper Wire	0.60	ジ ャ ン パ ー 線	(VV29140)	01
	VZ013400	Circuit Board	PA	P A シ ー ト	(XT285B0)	
C101	FG652100	Ceramic Capacitor-SL	100P 50V J	セ ラ コ ン (S L)		01
C102	FU451220	Mica Capacitor	22P 500V J	マ イ カ コ ン		01
C103	FU451220	Mica Capacitor	22P 500V J	マ イ カ コ ン		01
C104	FG644100	Ceramic Capacitor-F	0.0100 50V Z	セ ラ コ ン F		01
C105	FG644100	Ceramic Capacitor-F	0.0100 50V Z	セ ラ コ ン F		01
C106	UJ896470	Electrolytic Cap.	4.7 100.0V	ケ ミ コ ン		01
C107	UJ896470	Electrolytic Cap.	4.7 100.0V	ケ ミ コ ン		01
C108	UJ847100	Electrolytic Cap.	10.00 25.0V	ケ ミ コ ン		01
C109	FU451100	Mica Capacitor	10P 500V D	マ イ カ コ ン		01

* New Parts (新規部品)

ランク : Japan only

REF NO.	PART NO.	DESCRIPTION	部 品 名	REMARKS	QTY	ラ
C110	FU451100	Mica Capacitor	10P 500V D	マ イ カ コ ン		01
C111	FU452100	Mica Capacitor	100P 500V J	マ イ カ コ ン		01
C112	FU452100	Mica Capacitor	100P 500V J	マ イ カ コ ン		01
C113	FG644100	Ceramic Capacitor-F	0.0100 50V Z	セ ラ コ ン F		01
C114	FG644100	Ceramic Capacitor-F	0.0100 50V Z	セ ラ コ ン F		01
C115	VZ004000	Electrolytic Cap.-SK	2.2 200.0V	ケ ミ コ ン S K		
C116	VZ004000	Electrolytic Cap.-SK	2.2 200.0V	ケ ミ コ ン S K		
C117	VV059800	Mylar Capacitor	1000P 50V J	マ イ ラ ー コ ン		
C118	VV059800	Mylar Capacitor	1000P 50V J	マ イ ラ ー コ ン		
C119	VY897200	Mylar Capacitor	3.3000 250V M	フ ィ ル ム コ ン		
C120	VY897200	Mylar Capacitor	3.3000 250V M	フ ィ ル ム コ ン		
C121	VZ004000	Electrolytic Cap.-SK	2.2 200.0V	ケ ミ コ ン S K		
C122	VZ004000	Electrolytic Cap.-SK	2.2 200.0V	ケ ミ コ ン S K		
C123	FU451470	Mica Capacitor	47P 500V J	マ イ カ コ ン		01
C124	FU451470	Mica Capacitor	47P 500V J	マ イ カ コ ン		01
C125	VV314600	Ceramic Capacitor-B	0.0022 500V K	セ ラ コ ン B		01
C126	VV314600	Ceramic Capacitor-B	0.0022 500V K	セ ラ コ ン B		01
C127	VZ003800	Electrolytic Cap.-SK	100.0 160.0V	ケ ミ コ ン S K		
C128	VZ003800	Electrolytic Cap.-SK	100.0 160.0V	ケ ミ コ ン S K		
C129	FG644100	Ceramic Capacitor-F	0.0100 50V Z	セ ラ コ ン F		01
D105	VG438900	Zener Diode	MTZ J 8.2B 8.2V	ツ ェ ナ ー ダ イ オ ー ド		01
D106	VG438900	Zener Diode	MTZ J 8.2B 8.2V	ツ ェ ナ ー ダ イ オ ー ド		01
D107	VD631600	Diode	1SS133,176,HSS104	ダ イ オ ー ド		01
D108	VD631600	Diode	1SS133,176,HSS104	ダ イ オ ー ド		01
D109	IF005560	Diode	1SS82TD	ダ イ オ ー ド		01
D110	IF005560	Diode	1SS82TD	ダ イ オ ー ド		01
D111	IF005560	Diode	1SS82TD	ダ イ オ ー ド		01
D112	IF005560	Diode	1SS82TD	ダ イ オ ー ド		01
D113	VN478200	Diode	D1NL20U	ダ イ オ ー ド		01
D114	VN478200	Diode	D1NL20U	ダ イ オ ー ド		01
D115	VR149700	Diode Stack	D8LD40 8.0A 400V	ダ イ オ ー ド ス タ ッ ク		04
D116	VR149700	Diode Stack	D8LD40 8.0A 400V	ダ イ オ ー ド ス タ ッ ク		04
D117	VU801600	Diode	1N4004L 26	ダ イ オ ー ド		01
D118	VU801600	Diode	1N4004L 26	ダ イ オ ー ド		01
D119	VU801600	Diode	1N4004L 26	ダ イ オ ー ド		01
D120	VU801600	Diode	1N4004L 26	ダ イ オ ー ド		01
D121	VD631600	Diode	1SS133,176,HSS104	ダ イ オ ー ド		01
D122	VD631600	Diode	1SS133,176,HSS104	ダ イ オ ー ド		01
D123	VN771700	Diode	D1NS4	ダ イ オ ー ド		01
D124	VN771700	Diode	D1NS4	ダ イ オ ー ド		01
D125	VN478200	Diode	D1NL20U	ダ イ オ ー ド		01
D126	VN771700	Diode	D1NS4	ダ イ オ ー ド		01
D127	VN771700	Diode	D1NS4	ダ イ オ ー ド		01
D128	VN478200	Diode	D1NL20U	ダ イ オ ー ド		01
D129	VS135800	Diode Stack	FMX-22S 10.0A 200V	ダ イ オ ー ド ス タ ッ ク		03
D130	VS135800	Diode Stack	FMX-22S 10.0A 200V	ダ イ オ ー ド ス タ ッ ク		03
L101	VY897300	Coil	100UH30A	コ イ ル		
L102	VY897300	Coil	100UH30A	コ イ ル		
Q105	VU418400	Transistor	2SA1371 D,E	ト ラ ン ジ ス タ		01
Q106	VU418600	Transistor	2SC3468 D,E	ト ラ ン ジ ス タ		01
Q107	IC260320	Transistor	2SC2603 E,F	ト ラ ン ジ ス タ		01
Q108	IA111520	Transistor	2SA1115 E,F	ト ラ ン ジ ス タ		01
Q109	VR152900	Transistor	2SC3790 E,F	ト ラ ン ジ ス タ		02
Q110	VR152800	Transistor	2SA1480 E,F	ト ラ ン ジ ス タ		02
Q111	VU418600	Transistor	2SC3468 D,E	ト ラ ン ジ ス タ		01
Q112	VU418400	Transistor	2SA1371 D,E	ト ラ ン ジ ス タ		01
Q133	IA097030	Transistor	2SA970 GR,BL	ト ラ ン ジ ス タ		01
Q134	IC224030	Transistor	2SC2240 GR,BL	ト ラ ン ジ ス タ		01
R101	HF456100	Carbon Resistor	1.0K 1/4 J	カ ー ボ ン 抵 抗		01
R102	HF455910	Carbon Resistor	910.0 1/4 J	カ ー ボ ン 抵 抗		01
R103	HF456100	Carbon Resistor	1.0K 1/4 J	カ ー ボ ン 抵 抗		01
R104	HF457470	Carbon Resistor	47.0K 1/4 J	カ ー ボ ン 抵 抗		01
R105	HF457470	Carbon Resistor	47.0K 1/4 J	カ ー ボ ン 抵 抗		01
R106	HF457470	Carbon Resistor	47.0K 1/4 J	カ ー ボ ン 抵 抗		01
R107	HF457470	Carbon Resistor	47.0K 1/4 J	カ ー ボ ン 抵 抗		01
R116	HF455220	Carbon Resistor	220.0 1/4 J	カ ー ボ ン 抵 抗		01
R117	HF455220	Carbon Resistor	220.0 1/4 J	カ ー ボ ン 抵 抗		01
R118	HF456560	Carbon Resistor	5.6K 1/4 J	カ ー ボ ン 抵 抗		01
R119	HF456560	Carbon Resistor	5.6K 1/4 J	カ ー ボ ン 抵 抗		01
R120	HF457150	Carbon Resistor	15.0K 1/4 J	カ ー ボ ン 抵 抗		01

* New Parts (新規部品)

ランク : Japan only

REF. NO.	PART NO.	DESCRIPTION	部 品 名	REMARKS	QTY	ランク
R121	HF457150	Carbon Resistor	15.0K 1/4 J	力 ー ボ ン 抵 抗		01
R122	VV313900	Flame Proof C. Resistor	680.0 1/4 J	不 燃 化 カ ー ボ ン 抵 抗		01
R123	VV313900	Flame Proof C. Resistor	680.0 1/4 J	不 燃 化 カ ー ボ ン 抵 抗		01
R124	VZ009300	Flame Proof C. Resistor	330.0 1/4 J	不 燃 化 カ ー ボ ン 抵 抗		
R125	VZ009300	Flame Proof C. Resistor	330.0 1/4 J	不 燃 化 カ ー ボ ン 抵 抗		
R126	VV313800	Flame Proof C. Resistor	220.0 1/4 J	不 燃 化 カ ー ボ ン 抵 抗		01
R127	VV313800	Flame Proof C. Resistor	220.0 1/4 J	不 燃 化 カ ー ボ ン 抵 抗		01
R128	VZ008800	Flame Proof C. Resistor	22.0 1/4 J	不 燃 化 カ ー ボ ン 抵 抗		
R129	VZ008800	Flame Proof C. Resistor	22.0 1/4 J	不 燃 化 カ ー ボ ン 抵 抗		
R130	VZ008700	Flame Proof C. Resistor	2.2K 1/4 J	不 燃 化 カ ー ボ ン 抵 抗		
R131	VZ008700	Flame Proof C. Resistor	2.2K 1/4 J	不 燃 化 カ ー ボ ン 抵 抗		
R132	VZ009100	Flame Proof C. Resistor	33.0 1/4 J	不 燃 化 カ ー ボ ン 抵 抗		
R133	VZ009100	Flame Proof C. Resistor	33.0 1/4 J	不 燃 化 カ ー ボ ン 抵 抗		
R134	VZ008600	Flame Proof C. Resistor	150.0 1/4 J	不 燃 化 カ ー ボ ン 抵 抗		
R135	VZ008600	Flame Proof C. Resistor	150.0 1/4 J	不 燃 化 カ ー ボ ン 抵 抗		
R136	VZ009100	Flame Proof C. Resistor	33.0 1/4 J	不 燃 化 カ ー ボ ン 抵 抗		
R137	VZ009100	Flame Proof C. Resistor	33.0 1/4 J	不 燃 化 カ ー ボ ン 抵 抗		
R138	VZ009100	Flame Proof C. Resistor	33.0 1/4 J	不 燃 化 カ ー ボ ン 抵 抗		
R139	VZ009100	Flame Proof C. Resistor	33.0 1/4 J	不 燃 化 カ ー ボ ン 抵 抗		
R141	VZ009100	Flame Proof C. Resistor	33.0 1/4 J	不 燃 化 カ ー ボ ン 抵 抗		
R142	VZ009100	Flame Proof C. Resistor	33.0 1/4 J	不 燃 化 カ ー ボ ン 抵 抗		
R143	VZ009100	Flame Proof C. Resistor	33.0 1/4 J	不 燃 化 カ ー ボ ン 抵 抗		
R144	VZ009100	Flame Proof C. Resistor	33.0 1/4 J	不 燃 化 カ ー ボ ン 抵 抗		
* R146	VZ370100	Wire Wound Resistor	0.47 5W K	セ メ ン ト 抵 抗		
* R147	VZ370100	Wire Wound Resistor	0.47 5W K	セ メ ン ト 抵 抗		
* R148	VZ370100	Wire Wound Resistor	0.47 5W K	セ メ ン ト 抵 抗		
* R149	VZ370100	Wire Wound Resistor	0.47 5W K	セ メ ン ト 抵 抗		
* R151	VZ370100	Wire Wound Resistor	0.47 5W K	セ メ ン ト 抵 抗		
* R152	VZ370100	Wire Wound Resistor	0.47 5W K	セ メ ン ト 抵 抗		
* R153	VZ370100	Wire Wound Resistor	0.47 5W K	セ メ ン ト 抵 抗		
* R154	VZ370100	Wire Wound Resistor	0.47 5W K	セ メ ン ト 抵 抗		
R156	VZ008800	Flame Proof C. Resistor	22.0 1/4 J	不 燃 化 カ ー ボ ン 抵 抗		
R157	VZ008800	Flame Proof C. Resistor	22.0 1/4 J	不 燃 化 カ ー ボ ン 抵 抗		
R158	VZ008800	Flame Proof C. Resistor	22.0 1/4 J	不 燃 化 カ ー ボ ン 抵 抗		
R159	VZ008800	Flame Proof C. Resistor	22.0 1/4 J	不 燃 化 カ ー ボ ン 抵 抗		
R161	VZ008800	Flame Proof C. Resistor	22.0 1/4 J	不 燃 化 カ ー ボ ン 抵 抗		
R162	VZ008800	Flame Proof C. Resistor	22.0 1/4 J	不 燃 化 カ ー ボ ン 抵 抗		
R163	VZ008800	Flame Proof C. Resistor	22.0 1/4 J	不 燃 化 カ ー ボ ン 抵 抗		
R164	VZ008800	Flame Proof C. Resistor	22.0 1/4 J	不 燃 化 カ ー ボ ン 抵 抗		
R166	VV313600	Flame Proof C. Resistor	2.2 1/4 J	不 燃 化 カ ー ボ ン 抵 抗		
R167	VV313600	Flame Proof C. Resistor	2.2 1/4 J	不 燃 化 カ ー ボ ン 抵 抗		
R168	VV313600	Flame Proof C. Resistor	2.2 1/4 J	不 燃 化 カ ー ボ ン 抵 抗		
R169	VV313600	Flame Proof C. Resistor	2.2 1/4 J	不 燃 化 カ ー ボ ン 抵 抗		
R170	VV313600	Flame Proof C. Resistor	2.2 1/4 J	不 燃 化 カ ー ボ ン 抵 抗		
R171	VV313600	Flame Proof C. Resistor	2.2 1/4 J	不 燃 化 カ ー ボ ン 抵 抗		
* R172	VZ370200	Wire Wound Resistor	0.1 5W K	セ メ ン ト 抵 抗		
* R173	VZ370200	Wire Wound Resistor	0.1 5W K	セ メ ン ト 抵 抗		
* R174	VZ370200	Wire Wound Resistor	0.1 5W K	セ メ ン ト 抵 抗		
* R175	VZ370200	Wire Wound Resistor	0.1 5W K	セ メ ン ト 抵 抗		
* R176	VZ370200	Wire Wound Resistor	0.1 5W K	セ メ ン ト 抵 抗		
* R177	VZ370200	Wire Wound Resistor	0.1 5W K	セ メ ン ト 抵 抗		
R178	VV058500	Flame Proof C. Resistor	10.0 1/4 J	不 燃 化 カ ー ボ ン 抵 抗		01
R179	VV058500	Flame Proof C. Resistor	10.0 1/4 J	不 燃 化 カ ー ボ ン 抵 抗		01
R180	VV058500	Flame Proof C. Resistor	10.0 1/4 J	不 燃 化 カ ー ボ ン 抵 抗		01
R181	VZ009100	Flame Proof C. Resistor	33.0 1/4 J	不 燃 化 カ ー ボ ン 抵 抗		
R182	HF456220	Carbon Resistor	2.2K 1/4 J	力 ー ボ ン 抵 抗		01
R183	HF457820	Carbon Resistor	82.0K 1/4 J	力 ー ボ ン 抵 抗		01
R184	HF455470	Carbon Resistor	470.0 1/4 J	力 ー ボ ン 抵 抗		01
R185	VZ009300	Flame Proof C. Resistor	330.0 1/4 J	不 燃 化 カ ー ボ ン 抵 抗		
R186	VV276700	Flame Proof C. Resistor	4.7 1/4 J	不 燃 化 カ ー ボ ン 抵 抗		01
R187	VV313600	Flame Proof C. Resistor	2.2 1/4 J	不 燃 化 カ ー ボ ン 抵 抗		
R188	VV313600	Flame Proof C. Resistor	2.2 1/4 J	不 燃 化 カ ー ボ ン 抵 抗		
R189	VV313600	Flame Proof C. Resistor	2.2 1/4 J	不 燃 化 カ ー ボ ン 抵 抗		
R190	VV313900	Flame Proof C. Resistor	680.0 1/4 J	不 燃 化 カ ー ボ ン 抵 抗		01
R191	VV058500	Flame Proof C. Resistor	10.0 1/4 J	不 燃 化 カ ー ボ ン 抵 抗		01
R192	VZ009100	Flame Proof C. Resistor	33.0 1/4 J	不 燃 化 カ ー ボ ン 抵 抗		
R193	HF456220	Carbon Resistor	2.2K 1/4 J	力 ー ボ ン 抵 抗		01
R194	HF457820	Carbon Resistor	82.0K 1/4 J	力 ー ボ ン 抵 抗		01
R195	HF455470	Carbon Resistor	470.0 1/4 J	力 ー ボ ン 抵 抗		01
R196	VZ009300	Flame Proof C. Resistor	330.0 1/4 J	不 燃 化 カ ー ボ ン 抵 抗		

* New Parts (新規部品)

ランク : Japan only

REF NO.	PART NO.	DESCRIPTION		部 品 名	REMARKS	QTY	ラック
R197	VV276700	Flame Proof C. Resistor	4.7 1/4 J	不 燃 化 カ ー ボ ン 抵 抗			01
R198	VV313600	Flame Proof C. Resistor	2.2 1/4 J	不 燃 化 カ ー ボ ン 抵 抗			
R199	VV313600	Flame Proof C. Resistor	2.2 1/4 J	不 燃 化 カ ー ボ ン 抵 抗			
R200	VV313600	Flame Proof C. Resistor	2.2 1/4 J	不 燃 化 カ ー ボ ン 抵 抗			
R201	VV313900	Flame Proof C. Resistor	680.0 1/4 J	不 燃 化 カ ー ボ ン 抵 抗			01
R202	HF454470	Carbon Resistor	47.0 1/4 J	カ ー ボ ン 抵 抗			01
R203	HF455680	Carbon Resistor	680.0 1/4 J	カ ー ボ ン 抵 抗			01
R204	HF455680	Carbon Resistor	680.0 1/4 J	カ ー ボ ン 抵 抗			01
CN101	VV066300	Connector Base Post	M2426XX 3P TE	コ ン ネ ク タ ベ ー ス ポ ス ト			
CN102	VV066400	Connector Base Post	M2426XX 4P TE	コ ン ネ ク タ ベ ー ス ポ ス ト			01
CN103	LB932030	Base Post Connector	VH- 3P TE	ベ ー ス ポ ス ト			01
CN104	LB932020	Base Post Connector	VH- 2P TE	ベ ー ス ポ ス ト			01
CN105	VV067600	Connector Base Post	M2426XXR 2P SE	コ ン ネ ク タ ベ ー ス ポ ス ト			
CN106	VV067600	Connector Base Post	M2426XXR 2P SE	コ ン ネ ク タ ベ ー ス ポ ス ト			
PR101	VL965100	Positive Thermistor	PTH9M04BE222TS2	ポ ジ ス タ			04
PR102	VL964800	Positive Thermistor	PTH9M04BH222TS2	ポ ジ ス タ			04
Q101N	VQ547400	Pair Transistor	A1837/C4793 (HFE)	ベ ア ト ラ ン ジ ス タ			04
Q102P	VQ547400	Pair Transistor	A1837/C4793 (HFE)	ベ ア ト ラ ン ジ ス タ			04
Q113N	VQ547400	Pair Transistor	A1837/C4793 (HFE)	ベ ア ト ラ ン ジ ス タ			04
Q114P	VQ547400	Pair Transistor	A1837/C4793 (HFE)	ベ ア ト ラ ン ジ ス タ			04
Q115N	VQ547400	Pair Transistor	A1837/C4793 (HFE)	ベ ア ト ラ ン ジ ス タ			04
Q116P	VQ547400	Pair Transistor	A1837/C4793 (HFE)	ベ ア ト ラ ン ジ ス タ			04
Q117N	VZ222300	Pair Transistor	A1492C3856(Z)(210)	ベ ア ト ラ ン ジ ス タ			
Q118N	VZ222300	Pair Transistor	A1492C3856(Z)(210)	ベ ア ト ラ ン ジ ス タ			
Q119N	VZ222300	Pair Transistor	A1492C3856(Z)(210)	ベ ア ト ラ ン ジ ス タ			
Q120P	VZ222300	Pair Transistor	A1492C3856(Z)(210)	ベ ア ト ラ ン ジ ス タ			
Q121P	VZ222300	Pair Transistor	A1492C3856(Z)(210)	ベ ア ト ラ ン ジ ス タ			
Q122P	VZ222300	Pair Transistor	A1492C3856(Z)(210)	ベ ア ト ラ ン ジ ス タ			
Q123N	VZ222300	Pair Transistor	A1492C3856(Z)(210)	ベ ア ト ラ ン ジ ス タ			
Q124N	VZ222300	Pair Transistor	A1492C3856(Z)(210)	ベ ア ト ラ ン ジ ス タ			
Q125N	VZ222300	Pair Transistor	A1492C3856(Z)(210)	ベ ア ト ラ ン ジ ス タ			
Q126N	VZ222300	Pair Transistor	A1492C3856(Z)(210)	ベ ア ト ラ ン ジ ス タ			
Q128P	VZ222300	Pair Transistor	A1492C3856(Z)(210)	ベ ア ト ラ ン ジ ス タ			
Q129P	VZ222300	Pair Transistor	A1492C3856(Z)(210)	ベ ア ト ラ ン ジ ス タ			
Q130P	VZ222300	Pair Transistor	A1492C3856(Z)(210)	ベ ア ト ラ ン ジ ス タ			
Q131P	VZ222300	Pair Transistor	A1492C3856(Z)(210)	ベ ア ト ラ ン ジ ス タ			
Q135P	VR732800	Pair Transistor	A1859A/C4883A	ベ ア ト ラ ン ジ ス タ			04
Q136N	VR732800	Pair Transistor	A1859A/C4883A	ベ ア ト ラ ン ジ ス タ			04
Q137N	VZ222300	Pair Transistor	A1492C3856(Z)(210)	ベ ア ト ラ ン ジ ス タ			
Q138N	VZ222300	Pair Transistor	A1492C3856(Z)(210)	ベ ア ト ラ ン ジ ス タ			
Q139N	VZ222300	Pair Transistor	A1492C3856(Z)(210)	ベ ア ト ラ ン ジ ス タ			
Q140P	VZ222300	Pair Transistor	A1492C3856(Z)(210)	ベ ア ト ラ ン ジ ス タ			
Q141P	VZ222300	Pair Transistor	A1492C3856(Z)(210)	ベ ア ト ラ ン ジ ス タ			
Q142P	VZ222300	Pair Transistor	A1492C3856(Z)(210)	ベ ア ト ラ ン ジ ス タ			
* VR101	VZ352000	Trimmer Potentiometer	B 680 ㄴ 3P	半 固 定 V R			
* VR102	VZ352000	Trimmer Potentiometer	B 680 ㄴ 3P	半 固 定 V R			
	20	Jumper Wire	0.60	ジ ャ ン パ ー 線	(VV29140)		01
△	VY897500	AC Cord	J VCTF 2X1.25 12A	電 源 コ ー ド J			
△	VZ021200	AC Cord	UC SJT 3X#18 10A	電 源 コ ー ド U,V			
△	VZ021400	AC Cord	E H05VV-F3X0.75 6A	電 源 コ ー ド H,W,A			
△	VZ021600	AC Cord	BS H05VV-F 13A	電 源 コ ー ド B			
△	XT103A00	Power Transformer		電 源 ト ラ ン ス J			
△	XT370A00	Power Transformer		電 源 ト ラ ン ス U,V			
△	XT371A00	Power Transformer		電 源 ト ラ ン ス H,W,B			
△	XT372A00	Power Transformer		電 源 ト ラ ン ス A			
	VY898600	Fan	3110KL-05W-B50-L29	D C フ ァ ン			

* New Parts (新規部品)

ラック : Japan only

■ P4500 ELECTRICAL PARTS(電気部品)

REF NO.	PART NO.	DESCRIPTION	部 品 名	REMARKS	QTY	ランク
		ELECTRICAL PARTS	電 気 部 品	P4500		
*	NX818820	Circuit Board	DC 1/4	D C シ ー ト (1 / 4)	J,U,V	(XT214C0)
*	NX818830	Circuit Board	DC 1/4	D C シ ー ト (1 / 4)	H,W,B,A	(XT214C0)
*	NX818840	Circuit Board	DC 2/4	D C シ ー ト (2 / 4)		(XT214C0)
*	NX818850	Circuit Board	DC 3/4	D C シ ー ト (3 / 4)		(XT214C0)
*	NX818860	Circuit Board	DC 4/4	D C シ ー ト (4 / 4)		(XT214C0)
*	VZ013600	Circuit Board	IN	I N シ ー ト		(XT284B0)
*	VZ013300	Circuit Board	PA	P A シ ー ト		(XT285B0)
*	NX818820	Circuit Board	DC 1/4	D C シ ー ト (1 / 4)	J,U,V	(XT214C0)
*	NX818830	Circuit Board	DC 1/4	D C シ ー ト (1 / 4)	H,W,B,A	(XT214C0)
*	NX818840	Circuit Board	DC 2/4	D C シ ー ト (2 / 4)		(XT214C0)
*	NX818850	Circuit Board	DC 3/4	D C シ ー ト (3 / 4)		(XT214C0)
*	NX818860	Circuit Board	DC 4/4	D C シ ー ト (4 / 4)		(XT214C0)
C101	VZ004400	Mylar Capacitor	0.1000 400V M	フ ィ ル ム コ ン		
C102	VZ004400	Mylar Capacitor	0.1000 400V M	フ ィ ル ム コ ン		
C103	VY897100	Electrolytic Cap.	2200 160V	ケ ミ コ ン		
C104	VY897100	Electrolytic Cap.	2200 160V	ケ ミ コ ン		
C105	VY897100	Electrolytic Cap.	2200 160V	ケ ミ コ ン		
C106	VY897100	Electrolytic Cap.	2200 160V	ケ ミ コ ン		
C107	VY897100	Electrolytic Cap.	2200 160V	ケ ミ コ ン		
C108	VY897100	Electrolytic Cap.	2200 160V	ケ ミ コ ン		
C109	UJ866470	Electrolytic Cap.	4.70 50.0V	ケ ミ コ ン		01
C110	UJ659100	Electrolytic Cap.	1000 35.0V	ケ ミ コ ン		02
C111	UJ659100	Electrolytic Cap.	1000 35.0V	ケ ミ コ ン		02
C112	FG652100	Ceramic Capacitor-SL	100P 50V J	セ ラ コ ン (S L)		01
C113	UJ828470	Electrolytic Cap.	470.00 10.0V	ケ ミ コ ン		01
C114	UJ847470	Electrolytic Cap.	47.00 25.0V	ケ ミ コ ン		01
C115	UJ866470	Electrolytic Cap.	4.70 50.0V	ケ ミ コ ン		01
△ C116	VV314800	Capacitor	1000P 400V J.U.C.S	規 格 認 定 コ ン		01
△ C117	VV314800	Capacitor	1000P 400V J.U.C.S	規 格 認 定 コ ン		01
C118	UJ866470	Electrolytic Cap.	4.70 50.0V	ケ ミ コ ン		01
C119	UJ866470	Electrolytic Cap.	4.70 50.0V	ケ ミ コ ン		01
C120	UJ866100	Electrolytic Cap.	1.00 50.0V	ケ ミ コ ン		01
C121	FG613100	Ceramic Capacitor-B	1000P 50V K	セ ラ コ ン B		01
C122	UJ866100	Electrolytic Cap.	1.00 50.0V	ケ ミ コ ン		01
C123	UJ866100	Electrolytic Cap.	1.00 50.0V	ケ ミ コ ン		01
C124	FG613100	Ceramic Capacitor-B	1000P 50V K	セ ラ コ ン B		01
C125	UJ866100	Electrolytic Cap.	1.00 50.0V	ケ ミ コ ン		01
* C126	VZ411400	Capacitor	0.22 275V UCS	規 格 認 定 コ ン		
C127	VY704000	Capacitor	4700P 400V J.U.C.S	規 格 認 定 コ ン	H,W,B,A	01
C128	VY704000	Capacitor	4700P 400V J.U.C.S	規 格 認 定 コ ン	H,W,B,A	01
D101	VR149900	Diode Stack	D25XB60 25.0A 600V	ダ イ オ ー ド ス タ ッ ク		06
D102	VU801600	Diode	1N4004L 26	ダ イ オ ー ド		01
D103	VU801600	Diode	1N4004L 26	ダ イ オ ー ド		01
D104	VU801600	Diode	1N4004L 26	ダ イ オ ー ド		01
D105	VU801600	Diode	1N4004L 26	ダ イ オ ー ド		01
D106	VU801600	Diode	1N4004L 26	ダ イ オ ー ド		01
D108	VD631600	Diode	1SS133,176,HSS104	ダ イ オ ー ド		01
D109	VD631600	Diode	1SS133,176,HSS104	ダ イ オ ー ド		01
D110	VG437700	Zener Diode	MTZ J 5.6B 5.6V	ツ ェ ナ ー ダ イ オ ー ド		01
D111	VG437700	Zener Diode	MTZ J 5.6B 5.6V	ツ ェ ナ ー ダ イ オ ー ド		01
D112	VG437700	Zener Diode	MTZ J 5.6B 5.6V	ツ ェ ナ ー ダ イ オ ー ド		01
D113	VV621000	LED	LT321-41-C13 GR	L E D	SIGNAL A	01
D114	VV620800	LED	LT311G-41-C13 RE	L E D	CLIP A	01
D115	VV621000	LED	LT321-41-C13 GR	L E D	SIGNAL B	01
D116	VV620800	LED	LT311G-41-C13 RE	L E D	CLIP B	01
D117	VV620800	LED	LT311G-41-C13 RE	L E D	TEMP	01
D118	VV620800	LED	LT311G-41-C13 RE	L E D	PROTECTION	01
D119	VV620800	LED	LT311G-41-C13 RE	L E D	POWER	01
E101	BB069510	Ground Plate	#6951 A-8	ラ ン ド 金 具	H,W,B,A	01
△ F101	KB001540	Fuse	12.00A UL	ヒ ユ ー ズ	J,U,V	04
△* F101	VT943200	Fuse	TH 5.00A S	ヒ ユ ー ズ	H,W,B,A	
△ F102	KB001540	Fuse	12.00A UL	ヒ ユ ー ズ	J,U,V	04
△* F102	VT943200	Fuse	TH 5.00A S	ヒ ユ ー ズ	H,W,B,A	
F103	VV070300	Fuse	TDS 1A 250V J/U/C	ヒ ユ ー ズ	J,U,V	
F103	VV071200	Fuse	TSD 1A 250V SEMKO	ヒ ユ ー ズ	H,W,B,A	01
F104	VV070300	Fuse	TDS 1A 250V J/U/C	ヒ ユ ー ズ	J,U,V	
F104	VV071200	Fuse	TSD 1A 250V SEMKO	ヒ ユ ー ズ	H,W,B,A	01
H101	VY937700	Heat Sink		ヒ ー ト シ ン ク (S)		

* New Parts (新規部品)

ランク : Japan only

REF NO.	PART NO.	DESCRIPTION	部 品 名	REMARKS	QTY	ラック
* P101	VZ336500	Plastic Rivet	PR-08T GIN LIAN	ブ ラ リ ベ ッ ト		
Q101	IA111520	Transistor	2SA1115 E,F	ト ラ ン ジ ス タ		01
Q102	IC260320	Transistor	2SC2603 E,F	ト ラ ン ジ ス タ		01
Q103	IC260320	Transistor	2SC2603 E,F	ト ラ ン ジ ス タ		01
Q104	IC260320	Transistor	2SC2603 E,F	ト ラ ン ジ ス タ		01
Q105	IA111520	Transistor	2SA1115 E,F	ト ラ ン ジ ス タ		01
Q106	IC260320	Transistor	2SC2603 E,F	ト ラ ン ジ ス タ		01
Q107	VD678500	Digital Transistor	DTA114ES	デ ジ タ ル ト ラ ン ジ ス タ		03
Q108	IC260320	Transistor	2SC2603 E,F	ト ラ ン ジ ス タ		01
Q109	VD678500	Digital Transistor	DTA114ES	デ ジ タ ル ト ラ ン ジ ス タ		03
Q110	IC260320	Transistor	2SC2603 E,F	ト ラ ン ジ ス タ		01
Q111	IA111520	Transistor	2SA1115 E,F	ト ラ ン ジ ス タ		01
Q112	VQ547200	Transistor	2SA1837 (HFE)	ト ラ ン ジ ス タ		03
Q113	IC260320	Transistor	2SC2603 E,F	ト ラ ン ジ ス タ		01
Q114	VD678500	Digital Transistor	DTA114ES	デ ジ タ ル ト ラ ン ジ ス タ		03
Q115	VD678500	Digital Transistor	DTA114ES	デ ジ タ ル ト ラ ン ジ ス タ		03
Q116	VD678700	Digital Transistor	DTC114ES	デ ジ タ ル ト ラ ン ジ ス タ		03
Q117	IC260320	Transistor	2SC2603 E,F	ト ラ ン ジ ス タ		01
Q118	VD678500	Digital Transistor	DTA114ES	デ ジ タ ル ト ラ ン ジ ス タ		03
Q119	VD678500	Digital Transistor	DTA114ES	デ ジ タ ル ト ラ ン ジ ス タ		03
Q120	VD678700	Digital Transistor	DTC114ES	デ ジ タ ル ト ラ ン ジ ス タ		03
Q121	VD678500	Digital Transistor	DTA114ES	デ ジ タ ル ト ラ ン ジ ス タ		03
R101	HF457150	Carbon Resistor	15.0K 1/4 J	カ - ボ ン 抵 抗		01
R102	HF457220	Carbon Resistor	22.0K 1/4 J	カ - ボ ン 抵 抗		01
R103	HF457470	Carbon Resistor	47.0K 1/4 J	カ - ボ ン 抵 抗		01
R104	HF458150	Carbon Resistor	150.0K 1/4 J	カ - ボ ン 抵 抗		01
R105	HF458100	Carbon Resistor	100.0K 1/4 J	カ - ボ ン 抵 抗		01
R106	HF457100	Carbon Resistor	10.0K 1/4 J	カ - ボ ン 抵 抗		01
R107	HF457560	Carbon Resistor	56.0K 1/4 J	カ - ボ ン 抵 抗		01
R108	HF457680	Carbon Resistor	68.0K 1/4 J	カ - ボ ン 抵 抗		01
R109	HF456680	Carbon Resistor	6.8K 1/4 J	カ - ボ ン 抵 抗		01
R110	HF457560	Carbon Resistor	56.0K 1/4 J	カ - ボ ン 抵 抗		01
R111	HF457100	Carbon Resistor	10.0K 1/4 J	カ - ボ ン 抵 抗		01
R112	HF456820	Carbon Resistor	8.2K 1/4 J	カ - ボ ン 抵 抗		01
R113	HF456820	Carbon Resistor	8.2K 1/4 J	カ - ボ ン 抵 抗		01
R114	HF455220	Carbon Resistor	220.0 1/4 J	カ - ボ ン 抵 抗		01
R115	HF455220	Carbon Resistor	220.0 1/4 J	カ - ボ ン 抵 抗		01
R116	HF456470	Carbon Resistor	4.7K 1/4 J	カ - ボ ン 抵 抗		01
R117	HF457100	Carbon Resistor	10.0K 1/4 J	カ - ボ ン 抵 抗		01
R118	HF455220	Carbon Resistor	220.0 1/4 J	カ - ボ ン 抵 抗		01
R119	HF456470	Carbon Resistor	4.7K 1/4 J	カ - ボ ン 抵 抗		01
R120	HF455220	Carbon Resistor	220.0 1/4 J	カ - ボ ン 抵 抗		01
R121	HF456120	Carbon Resistor	1.2K 1/4 J	カ - ボ ン 抵 抗		01
R122	HF456120	Carbon Resistor	1.2K 1/4 J	カ - ボ ン 抵 抗		01
R123	HF456120	Carbon Resistor	1.2K 1/4 J	カ - ボ ン 抵 抗		01
R124	HF456120	Carbon Resistor	1.2K 1/4 J	カ - ボ ン 抵 抗		01
R125	HF456470	Carbon Resistor	4.7K 1/4 J	カ - ボ ン 抵 抗		01
R126	HF457100	Carbon Resistor	10.0K 1/4 J	カ - ボ ン 抵 抗		01
R127	HF455220	Carbon Resistor	220.0 1/4 J	カ - ボ ン 抵 抗		01
R128	HF456470	Carbon Resistor	4.7K 1/4 J	カ - ボ ン 抵 抗		01
R129	HF455220	Carbon Resistor	220.0 1/4 J	カ - ボ ン 抵 抗		01
R130	HF456120	Carbon Resistor	1.2K 1/4 J	カ - ボ ン 抵 抗		01
R131	HF456120	Carbon Resistor	1.2K 1/4 J	カ - ボ ン 抵 抗		01
R132	HF456120	Carbon Resistor	1.2K 1/4 J	カ - ボ ン 抵 抗		01
R133	HF456120	Carbon Resistor	1.2K 1/4 J	カ - ボ ン 抵 抗		01
R134	HF456120	Carbon Resistor	1.2K 1/4 J	カ - ボ ン 抵 抗		01
R135	HF456120	Carbon Resistor	1.2K 1/4 J	カ - ボ ン 抵 抗		01
R136	HF457820	Carbon Resistor	82.0K 1/4 J	カ - ボ ン 抵 抗		01
R137	HF456120	Carbon Resistor	1.2K 1/4 J	カ - ボ ン 抵 抗		01
R138	HF456120	Carbon Resistor	1.2K 1/4 J	カ - ボ ン 抵 抗		01
R139	HF456120	Carbon Resistor	1.2K 1/4 J	カ - ボ ン 抵 抗		01
R140	HF456120	Carbon Resistor	1.2K 1/4 J	カ - ボ ン 抵 抗		01
W101	--	Connector Assembly	E	束 線	(VZ01490)	
W102	--	Connector Assembly	+B PRE	束 線	(VZ01470)	
W103	--	Connector Assembly	+B PA	束 線	(VZ01480)	
W104	--	Connector Assembly	+B PA	束 線	(VZ01480)	
W105	--	Connector Assembly	P.SW YE	束 線	(VZ01450)	
W106	--	Connector Assembly	P.SW BR	束 線	(VZ01460)	
W107	--	Connector Assembly	P.SW BR	束 線	(VZ01460)	
W202	--	Connector Assembly	2426&2426 10P 200L	束 線 # 2	(VZ01550)	

* New Parts (新規部品)

ラック : Japan only

REF. NO.	PART NO.	DESCRIPTION	部 品 名	REMARKS	QTY	ランク
W203	--	Connector Assembly	2426&2426 4P 300L	東 線 # 2 8		(VZ01560)
W204	--	Connector Assembly	2426&2426 4P 140L	東 線 # 2 8		(VZ01570)
W218	--	Connector Assembly	VR	東 線 # 2 8		(VZ01530)
W219	--	Connector Assembly	2426&2426 9P 450L	東 線 # 2 8		(VZ01540)
CN101	LB932030	Base Post Connector	VH- 3P TE	ベ ー ス ポ ス ト		01
CN102	VV067000	Connector Base Post	M2426XX 10P TE	コネクタベースポスト		01
CN103	VV066400	Connector Base Post	M2426XX 4P TE	コネクタベースポスト		01
CN104	VV066400	Connector Base Post	M2426XX 4P TE	コネクタベースポスト		01
CN106	VV066900	Connector Base Post	M2426XX 9P TE	コネクタベースポスト		
CN107	VZ005700	Fasten Terminal	TP82223-22	ファストン端子		
CN108	VZ005700	Fasten Terminal	TP82223-22	ファストン端子		
CN109	VZ005700	Fasten Terminal	TP82223-22	ファストン端子		
CN110	VZ005700	Fasten Terminal	TP82223-22	ファストン端子		
CN111	VZ005700	Fasten Terminal	TP82223-22	ファストン端子		
CN112	VZ005700	Fasten Terminal	TP82223-22	ファストン端子		
CN113	VZ005700	Fasten Terminal	TP82223-22	ファストン端子		
CN114	VZ005700	Fasten Terminal	TP82223-22	ファストン端子		
CN115	VZ005700	Fasten Terminal	TP82223-22	ファストン端子		
CN116	VZ005700	Fasten Terminal	TP82223-22	ファストン端子		
CN117	VZ005700	Fasten Terminal	TP82223-22	ファストン端子		
CN118	VV066600	Connector Base Post	M2426XX 6P TE	コネクタベースポスト		01
CN119	VV066900	Connector Base Post	M2426XX 9P TE	コネクタベースポスト		
CN120	VV066200	Connector Base Post	M2426XX 2P TE	コネクタベースポスト		
CN121	VV066200	Connector Base Post	M2426XX 2P TE	コネクタベースポスト		
SW101	YY898100	Push Switch	SDDFA3107U-YL UCS	プッシュスイッチ		
VR101	V1575600	Rotary Variable Resistor	5K	ロータリーVR		03
VR102	V1575600	Rotary Variable Resistor	5K	ロータリーVR		03
10	YB763800	Bind Head Screw	SP 3.0X12 MFZ2Y	+ バインドホルダ		01
20	VV319600	Fuse Holder	CQ-05CT	ヒューズホルダ		01
30	VV307300	LED Spacer	SR200	LEDスペーサー		01
50	--	Jumper Wire	0.60	ジャンパー線		(VV29140) 01
* C101	VZ013600	Circuit Board	IN	I N シ ー ト		(XT284B0)
C102	FU451560	Mica Capacitor	56P 500V J	マイカコン		
C103	FG644100	Ceramic Capacitor-F	0.0100 50V Z	セラコン F		01
C104	FG644100	Ceramic Capacitor-F	0.0100 50V Z	セラコン F		01
C105	FU451100	Mica Capacitor	10P 500V D	マイカコン		01
C106	VZ004000	Electrolytic Cap.-SK	2.2 200.0V	ケミコン SK		
C107	VZ004000	Electrolytic Cap.-SK	2.2 200.0V	ケミコン SK		
C108	UJ847100	Electrolytic Cap.	10.00 25.0V	ケミコン		01
C109	FU451330	Mica Capacitor	33P 500V J	マイカコン		01
C110	FG652100	Ceramic Capacitor-SL	100P 50V J	セラコン (S L)		01
C111	UJ828100	Electrolytic Cap.	100.00 10.0V	ケミコン		01
C112	VV060100	Mylar Capacitor	1500P 50V J	マイラーコン		
C113	VZ004200	Mylar Capacitor	0.1000 100V M	フィルムコン		
C114	VZ004200	Mylar Capacitor	0.1000 100V M	フィルムコン		
C115	VZ012200	Ceramic Capacitor-B	0.001 500V K	セラコン B		
C116	VZ012200	Ceramic Capacitor-B	0.001 500V K	セラコン B		
C201	FU451560	Mica Capacitor	56P 500V J	マイカコン		
C202	FU451560	Mica Capacitor	56P 500V J	マイカコン		
C203	FG644100	Ceramic Capacitor-F	0.0100 50V Z	セラコン F		01
C204	FG644100	Ceramic Capacitor-F	0.0100 50V Z	セラコン F		01
C206	VZ004000	Electrolytic Cap.-SK	2.2 200.0V	ケミコン SK		
C207	VZ004000	Electrolytic Cap.-SK	2.2 200.0V	ケミコン SK		
C208	UJ847100	Electrolytic Cap.	10.00 25.0V	ケミコン		01
C209	FU451330	Mica Capacitor	33P 500V J	マイカコン		01
C210	FG652100	Ceramic Capacitor-SL	100P 50V J	セラコン (S L)		01
C211	UJ828100	Electrolytic Cap.	100.00 10.0V	ケミコン		01
C212	VV060100	Mylar Capacitor	1500P 50V J	マイラーコン		
C213	VZ004200	Mylar Capacitor	0.1000 100V M	フィルムコン		
C214	VZ004200	Mylar Capacitor	0.1000 100V M	フィルムコン		
C215	VZ012200	Ceramic Capacitor-B	0.001 500V K	セラコン B		
C216	VZ012200	Ceramic Capacitor-B	0.001 500V K	セラコン B		
C301	UJ867470	Electrolytic Cap.	47.00 50.0V	ケミコン		01
C302	UJ867470	Electrolytic Cap.	47.00 50.0V	ケミコン		01
C303	UJ847470	Electrolytic Cap.	47.00 25.0V	ケミコン		01
C304	UJ847470	Electrolytic Cap.	47.00 25.0V	ケミコン		01
D101	VD631600	Diode	1SS133,176,HSS104	ダイオード		01
D102	VD631600	Diode	1SS133,176,HSS104	ダイオード		01

* New Parts (新規部品)

ランク : Japan only

REF NO.	PART NO.	DESCRIPTION	部 品 名	REMARKS	QTY	ラック
D103	VD631600	Diode	1SS133,176,HSS104	ダイオード		01
D104	VD631600	Diode	1SS133,176,HSS104	ダイオード		01
D105	VD631600	Diode	1SS133,176,HSS104	ダイオード		01
D106	VD631600	Diode	1SS133,176,HSS104	ダイオード		01
D107	VU801600	Diode	1N4004L 26	ダイオード		01
D201	VD631600	Diode	1SS133,176,HSS104	ダイオード		01
D202	VD631600	Diode	1SS133,176,HSS104	ダイオード		01
D203	VD631600	Diode	1SS133,176,HSS104	ダイオード		01
D204	VD631600	Diode	1SS133,176,HSS104	ダイオード		01
D205	VD631600	Diode	1SS133,176,HSS104	ダイオード		01
D206	VD631600	Diode	1SS133,176,HSS104	ダイオード		01
L101	VR150900	Coil	RZ-001 21MM	空芯コイル		02
L201	VR150900	Coil	RZ-001 21MM	空芯コイル		02
Q101	VU418400	Transistor	2SA1371 D,E	トランジスタ		01
Q102	VU418400	Transistor	2SA1371 D,E	トランジスタ		01
Q103	VU418400	Transistor	2SA1371 D,E	トランジスタ		01
Q104	VU418600	Transistor	2SC3468 D,E	トランジスタ		01
Q105	IC1815M0	Transistor	2SC1815 Y,GR	トランジスタ		01
Q106	IC1815M0	Transistor	2SC1815 Y,GR	トランジスタ		01
Q107	IC1815M0	Transistor	2SC1815 Y,GR	トランジスタ		01
Q108	VR152800	Transistor	2SA1480 E,F	トランジスタ		02
Q109	IA101590	Transistor	2SA1015 O,Y	トランジスタ		01
Q110	VR152900	Transistor	2SC3790 E,F	トランジスタ		02
Q201	VU418400	Transistor	2SA1371 D,E	トランジスタ		01
Q202	VU418400	Transistor	2SA1371 D,E	トランジスタ		01
Q203	VU418400	Transistor	2SA1371 D,E	トランジスタ		01
Q204	VU418600	Transistor	2SC3468 D,E	トランジスタ		01
Q205	IC1815M0	Transistor	2SC1815 Y,GR	トランジスタ		01
Q206	IC1815M0	Transistor	2SC1815 Y,GR	トランジスタ		01
Q207	IC1815M0	Transistor	2SC1815 Y,GR	トランジスタ		01
Q208	VR152800	Transistor	2SA1480 E,F	トランジスタ		02
Q209	IA101590	Transistor	2SA1015 O,Y	トランジスタ		01
Q210	VR152900	Transistor	2SC3790 E,F	トランジスタ		02
R101	VZ009900	Metal Film Resistor	15K 1/4 F	金属被膜抵抗		
R102	VZ009900	Metal Film Resistor	15K 1/4 F	金属被膜抵抗		
R103	VZ009900	Metal Film Resistor	15K 1/4 F	金属被膜抵抗		
R104	VZ009900	Metal Film Resistor	15K 1/4 F	金属被膜抵抗		
R105	HF454180	Carbon Resistor	18.0 1/4 J	カーボン抵抗		01
R106	VV065200	Metal Film Resistor	4.7K 1/4 F	金属被膜抵抗		
R107	VV065200	Metal Film Resistor	4.7K 1/4 F	金属被膜抵抗		
R108	HF454180	Carbon Resistor	18.0 1/4 J	カーボン抵抗		01
R109	HF456470	Carbon Resistor	4.7K 1/4 J	カーボン抵抗		01
R110	HF457220	Carbon Resistor	22.0K 1/4 J	カーボン抵抗		01
R111	VZ010600	Metal Film Resistor	560.0 1/4 F	金属被膜抵抗		
R112	VV065600	Metal Film Resistor	11K 1/4 F	金属被膜抵抗		
R113	VV065600	Metal Film Resistor	11K 1/4 F	金属被膜抵抗		
R114	HF455560	Carbon Resistor	560.0 1/4 J	カーボン抵抗		01
R115	HF457100	Carbon Resistor	10.0K 1/4 J	カーボン抵抗		01
R116	HF458330	Carbon Resistor	330.0K 1/4 J	カーボン抵抗		01
R117	HF455560	Carbon Resistor	560.0 1/4 J	カーボン抵抗		01
R118	HF455560	Carbon Resistor	560.0 1/4 J	カーボン抵抗		01
R119	HF455200	Carbon Resistor	200.0 1/4 J	カーボン抵抗		01
R120	HF457470	Carbon Resistor	47.0K 1/4 J	カーボン抵抗		01
R121	HF457470	Carbon Resistor	47.0K 1/4 J	カーボン抵抗		01
R122	HF455220	Carbon Resistor	220.0 1/4 J	カーボン抵抗		01
R123	HF457470	Carbon Resistor	47.0K 1/4 J	カーボン抵抗		01
R124	HF457470	Carbon Resistor	47.0K 1/4 J	カーボン抵抗		01
R125	HF457470	Carbon Resistor	47.0K 1/4 J	カーボン抵抗		01
R126	HF457470	Carbon Resistor	47.0K 1/4 J	カーボン抵抗		01
R127	HF455330	Carbon Resistor	330.0 1/4 J	カーボン抵抗		01
R128	HF455330	Carbon Resistor	330.0 1/4 J	カーボン抵抗		01
R129	VZ009400	Flame Proof C. Resistor	820.0 1/4 J	不燃化カーボン抵抗		
R130	VZ009400	Flame Proof C. Resistor	820.0 1/4 J	不燃化カーボン抵抗		
R131	VY997600	Metal Oxide Film Resistor	4.7 3W J	サニキ抵抗		
R132	VY997600	Metal Oxide Film Resistor	4.7 3W J	サニキ抵抗		
R133	VV276700	Flame Proof C. Resistor	4.7 1/4 J	不燃化カーボン抵抗		01
R134	HF457270	Carbon Resistor	27.0K 1/4 J	カーボン抵抗		01
R135	HF458150	Carbon Resistor	150.0K 1/4 J	カーボン抵抗		01
R136	HF456100	Carbon Resistor	1.0K 1/4 J	カーボン抵抗		01
R201	VZ009900	Metal Film Resistor	15K 1/4 F	金属被膜抵抗		

* New Parts (新規部品)

ラック : Japan only

P4500

REF NO.	PART NO.	DESCRIPTION	部 品 名	REMARKS	QTY	ラック
R202	VZ009900	Metal Film Resistor	15K 1/4 F	金 属 被 膜 抵 抗		
R203	VZ009900	Metal Film Resistor	15K 1/4 F	金 属 被 膜 抵 抗		
R204	VZ009900	Metal Film Resistor	15K 1/4 F	金 属 被 膜 抵 抗		
R205	HF454180	Carbon Resistor	18.0 1/4 J	カ ー ボ ン 抵 抗		01
R210	HF457220	Carbon Resistor	22.0K 1/4 J	カ ー ボ ン 抵 抗		01
R211	VZ010600	Metal Film Resistor	560.0 1/4 F	金 属 被 膜 抵 抗		
R212	VV065600	Metal Film Resistor	11K 1/4 F	金 属 被 膜 抵 抗		
R213	VV065600	Metal Film Resistor	11K 1/4 F	金 属 被 膜 抵 抗		
R214	HF455560	Carbon Resistor	560.0 1/4 J	カ ー ボ ン 抵 抗		01
R215	HF457100	Carbon Resistor	10.0K 1/4 J	カ ー ボ ン 抵 抗		01
R216	HF458330	Carbon Resistor	330.0K 1/4 J	カ ー ボ ン 抵 抗		01
R217	HF455560	Carbon Resistor	560.0 1/4 J	カ ー ボ ン 抵 抗		01
R218	HF455560	Carbon Resistor	560.0 1/4 J	カ ー ボ ン 抵 抗		01
R219	HF455200	Carbon Resistor	200.0 1/4 J	カ ー ボ ン 抵 抗		01
R220	HF457470	Carbon Resistor	47.0K 1/4 J	カ ー ボ ン 抵 抗		01
R221	HF457470	Carbon Resistor	47.0K 1/4 J	カ ー ボ ン 抵 抗		01
R222	HF455220	Carbon Resistor	220.0 1/4 J	カ ー ボ ン 抵 抗		01
R223	HF457470	Carbon Resistor	47.0K 1/4 J	カ ー ボ ン 抵 抗		01
R224	HF457470	Carbon Resistor	47.0K 1/4 J	カ ー ボ ン 抵 抗		01
R225	HF457470	Carbon Resistor	47.0K 1/4 J	カ ー ボ ン 抵 抗		01
R226	HF457470	Carbon Resistor	47.0K 1/4 J	カ ー ボ ン 抵 抗		01
R227	HF455330	Carbon Resistor	330.0 1/4 J	カ ー ボ ン 抵 抗		01
R228	HF455330	Carbon Resistor	330.0 1/4 J	カ ー ボ ン 抵 抗		01
R229	VZ009400	Flame Proof C. Resistor	820.0 1/4 J	不 燃 化 カ ー ボ ン 抵 抗		
R230	VZ009400	Flame Proof C. Resistor	820.0 1/4 J	不 燃 化 カ ー ボ ン 抵 抗		
R231	VY997600	Metal Oxide Film Resistor	4.7 3W J	サ ン キ ン 抵 抗		
R232	VY997600	Metal Oxide Film Resistor	4.7 3W J	サ ン キ ン 抵 抗		
R233	VV276700	Flame Proof C. Resistor	4.7 1/4 J	不 燃 化 カ ー ボ ン 抵 抗		01
R234	HF457270	Carbon Resistor	27.0K 1/4 J	カ ー ボ ン 抵 抗		01
R235	HF458150	Carbon Resistor	150.0K 1/4 J	カ ー ボ ン 抵 抗		01
R236	HF456100	Carbon Resistor	1.0K 1/4 J	カ ー ボ ン 抵 抗		01
T101	VY937000	Terminal Angle		タ ー ミ ナ ル ア ン グ ル		
W104	--	Connector Assembly	2426&2426 3P 100L	東 線 # 2 8	(VZ01590)	
W107	--	Connector Assembly	SP 135A	東 線 # 2 8	(VZ01500)	
W204	--	Connector Assembly	2426&2426 3P 80L	東 線 # 2 8	(VZ01600)	
W207	--	Connector Assembly	SP 35B	東 線 # 2 8	(VZ01510)	
CN101	VY898000	Lug Terminal	DT-55-A14W-06	貫 通 端 子 台	INPUT(CHANNEL A,B)	
CN102	VV066600	Connector Base Post	M2426XX 6P TE	コ ン ネ ク タ ベ ー ス ポ ス ト		01
CN103	LB932020	Base Post Connector	VH- 2P TE	ベ ー ス ポ ス ト		01
CN104	VV066300	Connector Base Post	M2426XX 3P TE	コ ン ネ ク タ ベ ー ス ポ ス ト		01
CN106	VV067000	Connector Base Post	M2426XX 10P TE	コ ン ネ ク タ ベ ー ス ポ ス ト		01
CN107	LB932020	Base Post Connector	VH- 2P TE	ベ ー ス ポ ス ト		01
CN108	LB932020	Base Post Connector	VH- 2P TE	ベ ー ス ポ ス ト		01
CN204	VV066300	Connector Base Post	M2426XX 3P TE	コ ン ネ ク タ ベ ー ス ポ ス ト		01
CN207	LB932020	Base Post Connector	VH- 2P TE	ベ ー ス ポ ス ト		01
IC101	XM085A00	IC	M5238AP	IC	OPAMP	03
IC102	XK841A00	IC	NJM7818FA	IC	REGULATOR +18V	02
IC103	XK842A00	IC	NJM7918FA	IC	REGULATOR -18V	02
IC201	XM085A00	IC	M5238AP	IC	OPAMP	03
JK101	VS133800	XLM Connector	NC3FAH1-0	キ ャ ノ ン コ ネ ク タ	INPUT A(XLR-3-31)	04
JK102	VY898300	Phone Jack	ST JY6313-02-030	ホ ー ン コ ネ ク タ	INPUT A(Phone)	
JK201	VS133800	XLM Connector	NC3FAH1-0	キ ャ ノ ン コ ネ ク タ	INPUT B(XLR-3-31)	04
JK202	VY898300	Phone Jack	ST JY6313-02-030	ホ ー ン コ ネ ク タ	INPUT B(Phone)	
RY101	VV315400	Relay	DC OSA-SH-224DM3M	リ レ ー 2 4 V		06
RY201	VV315400	Relay	DC OSA-SH-224DM3M	リ レ ー 2 4 V		06
SP101	VY897900	Speaker Terminal	B30490243N	ス ピ ー カ 端 子	SPEAKERS	
SW101	VY898200	Slide Switch	SSSF123NB2-YL L=9	ス ラ イ ド S W	STEREO/BRIDGE/PARALLEL	
	10	EP600140	Bind Head Tapping Screw-B	+ バ イ ン ド B タ イ ト		01
	30	--	Jumper Wire	ジ ャ ン パ ー 線	(VV29140)	01
* C101	VZ013300	Circuit Board	PA	P A シ ー ト	(XT285B0)	
C102	FG652100	Ceramic Capacitor-SL	100P 50V J	セ ラ コ ン (S L)		01
C103	FU451220	Mica Capacitor	22P 500V J	マ イ カ コ ン		01
C104	FG644100	Ceramic Capacitor-F	0.0100 50V Z	セ ラ コ ン F		01
C105	FG644100	Ceramic Capacitor-F	0.0100 50V Z	セ ラ コ ン F		01
C106	UJ896470	Electrolytic Cap.	4.7 100.0V	ケ ミ コ ン		01
C107	UJ896470	Electrolytic Cap.	4.7 100.0V	ケ ミ コ ン		01
C108	UJ847100	Electrolytic Cap.	10.00 25.0V	ケ ミ コ ン		01
C109	FU451100	Mica Capacitor	10P 500V D	マ イ カ コ ン		01

* New Parts (新規部品)

ラック : Japan only

REF NO.	PART NO.	DESCRIPTION	部 品 名	REMARKS	QTY	ランク
C110	FU451100	Mica Capacitor	10P 500V D	マ イ カ コ ン		01
C111	FU452100	Mica Capacitor	100P 500V J	マ マ イ カ コ ン		01
C112	FU452100	Mica Capacitor	100P 500V J	マ マ イ カ コ ン		01
C113	FG644100	Ceramic Capacitor-F	0.0100 50V Z	マ セ ラ コ ン F		01
C114	FG644100	Ceramic Capacitor-F	0.0100 50V Z	マ セ ラ コ ン F		01
C115	VZ004000	Electrolytic Cap.-SK	2.2 200.0V	ケ ミ コ ン S K		
C116	VZ004000	Electrolytic Cap.-SK	2.2 200.0V	ケ ミ コ ン S K		
C117	VV059800	Mylar Capacitor	1000P 50V J	マ イ ラ ー コ ン		
C118	VV059800	Mylar Capacitor	1000P 50V J	マ イ ラ ー コ ン		
C119	VY897200	Mylar Capacitor	3.3000 250V M	フ ィ ル ム コ ン		
C120	VY897200	Mylar Capacitor	3.3000 250V M	フ ィ ル ム コ ン		
C121	VZ004000	Electrolytic Cap.-SK	2.2 200.0V	ケ ミ コ ン S K		
C122	VZ004000	Electrolytic Cap.-SK	2.2 200.0V	ケ ミ コ ン S K		
C123	FU451470	Mica Capacitor	47P 500V J	マ イ カ コ ン		01
C124	FU451470	Mica Capacitor	47P 500V J	マ イ カ コ ン		01
C125	VV314600	Ceramic Capacitor-B	0.0022 500V K	セ ラ コ ン B		01
C126	VV314600	Ceramic Capacitor-B	0.0022 500V K	セ ラ コ ン B		01
C127	VZ003800	Electrolytic Cap.-SK	100.0 160.0V	ケ ミ コ ン S K		
C128	VZ003800	Electrolytic Cap.-SK	100.0 160.0V	ケ ミ コ ン S K		
C129	FG644100	Ceramic Capacitor-F	0.0100 50V Z	セ ラ コ ン F		01
D101	IF005560	Diode	1SS82TD	ダ イ オ ー ド		01
D102	VG437700	Zener Diode	MTZ J 5.6B 5.6V	ツ ェ ナ ー ダ イ オ ー ド		01
D103	VG437700	Zener Diode	MTZ J 5.6B 5.6V	ツ ェ ナ ー ダ イ オ ー ド		01
D104	IF005560	Diode	1SS82TD	ダ イ オ ー ド		01
D105	VG438900	Zener Diode	MTZ J 8.2B 8.2V	ツ ェ ナ ー ダ イ オ ー ド		01
D106	VG438900	Zener Diode	MTZ J 8.2B 8.2V	ツ ェ ナ ー ダ イ オ ー ド		01
D107	VD631600	Diode	1SS133,176,HSS104	ダ イ オ ー ド		01
D108	VD631600	Diode	1SS133,176,HSS104	ダ イ オ ー ド		01
D109	IF005560	Diode	1SS82TD	ダ イ オ ー ド		01
D110	IF005560	Diode	1SS82TD	ダ イ オ ー ド		01
D111	IF005560	Diode	1SS82TD	ダ イ オ ー ド		01
D112	IF005560	Diode	1SS82TD	ダ イ オ ー ド		01
D113	VN478200	Diode	D1NL20U	ダ イ オ ー ド		01
D114	VN478200	Diode	D1NL20U	ダ イ オ ー ド		01
D115	VR149700	Diode Stack	D8LD40 8.0A 400V	ダ イ オ ー ド ス タ ッ ク		04
D116	VR149700	Diode Stack	D8LD40 8.0A 400V	ダ イ オ ー ド ス タ ッ ク		04
D117	VU801600	Diode	1N4004L 26	ダ イ オ ー ド		01
D118	VU801600	Diode	1N4004L 26	ダ イ オ ー ド		01
D119	VU801600	Diode	1N4004L 26	ダ イ オ ー ド		01
D120	VU801600	Diode	1N4004L 26	ダ イ オ ー ド		01
D121	VD631600	Diode	1SS133,176,HSS104	ダ イ オ ー ド		01
D122	VD631600	Diode	1SS133,176,HSS104	ダ イ オ ー ド		01
D123	VN771700	Diode	D1NS4	ダ イ オ ー ド		01
D124	VN771700	Diode	D1NS4	ダ イ オ ー ド		01
D125	VN478200	Diode	D1NL20U	ダ イ オ ー ド		01
D126	VN771700	Diode	D1NS4	ダ イ オ ー ド		01
D127	VN771700	Diode	D1NS4	ダ イ オ ー ド		01
D128	VN478200	Diode	D1NL20U	ダ イ オ ー ド		01
D129	VS135800	Diode Stack	FMX-22S 10.0A 200V	ダ イ オ ー ド ス タ ッ ク		03
D130	VS135800	Diode Stack	FMX-22S 10.0A 200V	ダ イ オ ー ド ス タ ッ ク		03
L101	VY897300	Coil	100UH30A	コ イ ル		
L102	VY897300	Coil	100UH30A	コ イ ル		
Q103	VU418600	Transistor	2SC3468 D,E	ト ラ ン ジ ス タ		01
Q104	VU418400	Transistor	2SA1371 D,E	ト ラ ン ジ ス タ		01
Q105	VU418400	Transistor	2SA1371 D,E	ト ラ ン ジ ス タ		01
Q106	VU418600	Transistor	2SC3468 D,E	ト ラ ン ジ ス タ		01
Q107	IC260320	Transistor	2SC2603 E,F	ト ラ ン ジ ス タ		01
Q108	IA111520	Transistor	2SA1115 E,F	ト ラ ン ジ ス タ		01
Q109	VR152900	Transistor	2SC3790 E,F	ト ラ ン ジ ス タ		02
Q110	VR152800	Transistor	2SA1480 E,F	ト ラ ン ジ ス タ		02
Q111	VU418600	Transistor	2SC3468 D,E	ト ラ ン ジ ス タ		01
Q112	VU418400	Transistor	2SA1371 D,E	ト ラ ン ジ ス タ		01
Q133	IA097030	Transistor	2SA970 GR,BL	ト ラ ン ジ ス タ		01
Q134	IC224030	Transistor	2SC2240 GR,BL	ト ラ ン ジ ス タ		01
R101	HF456100	Carbon Resistor	1.0K 1/4 J	カ ー ボ ン 抵 抗		01
R102	HF455910	Carbon Resistor	910.0 1/4 J	カ ー ボ ン 抵 抗		01
R103	HF456100	Carbon Resistor	1.0K 1/4 J	カ ー ボ ン 抵 抗		01
R104	HF457470	Carbon Resistor	47.0K 1/4 J	カ ー ボ ン 抵 抗		01
R105	HF457470	Carbon Resistor	47.0K 1/4 J	カ ー ボ ン 抵 抗		01
R106	HF457470	Carbon Resistor	47.0K 1/4 J	カ ー ボ ン 抵 抗		01

* New Parts (新規部品)

ランク : Japan only

REF. NO.	PART NO.	DESCRIPTION	部 品 名	REMARKS	QTY	ラック
R107	HF457470	Carbon Resistor	47.0K 1/4 J	力 一 ボ ン 抵 抗		01
R108	HF457150	Carbon Resistor	15.0K 1/4 J	力 一 ボ ン 抵 抗		01
R109	VZ009500	Metal Film Resistor	680K 1/4 F	金 属 被 膜 抵 抗		
R110	VV065800	Metal Film Resistor	20K 1/4 F	金 属 被 膜 抵 抗		
R111	VV065800	Metal Film Resistor	20K 1/4 F	金 属 被 膜 抵 抗		
R112	VV065800	Metal Film Resistor	20K 1/4 F	金 属 被 膜 抵 抗		
R113	VV065800	Metal Film Resistor	20K 1/4 F	金 属 被 膜 抵 抗		
R114	VZ009500	Metal Film Resistor	680K 1/4 F	金 属 被 膜 抵 抗		
R115	HF457150	Carbon Resistor	15.0K 1/4 J	力 一 ボ ン 抵 抗		01
R116	HF455220	Carbon Resistor	220.0 1/4 J	力 一 ボ ン 抵 抗		01
R117	HF455220	Carbon Resistor	220.0 1/4 J	力 一 ボ ン 抵 抗		01
R118	HF456560	Carbon Resistor	5.6K 1/4 J	力 一 ボ ン 抵 抗		01
R119	HF456560	Carbon Resistor	5.6K 1/4 J	力 一 ボ ン 抵 抗		01
R120	HF457180	Carbon Resistor	18.0K 1/4 J	力 一 ボ ン 抵 抗		01
R121	HF457180	Carbon Resistor	18.0K 1/4 J	力 一 ボ ン 抵 抗		01
R122	VV313900	Flame Proof C. Resistor	680.0 1/4 J	不 燃 化 力 一 ボ ン 抵 抗		01
R123	VV313900	Flame Proof C. Resistor	680.0 1/4 J	不 燃 化 力 一 ボ ン 抵 抗		01
R124	VZ009300	Flame Proof C. Resistor	330.0 1/4 J	不 燃 化 力 一 ボ ン 抵 抗		
R125	VZ009300	Flame Proof C. Resistor	330.0 1/4 J	不 燃 化 力 一 ボ ン 抵 抗		
R126	VV313800	Flame Proof C. Resistor	220.0 1/4 J	不 燃 化 力 一 ボ ン 抵 抗		01
R127	VV313800	Flame Proof C. Resistor	220.0 1/4 J	不 燃 化 力 一 ボ ン 抵 抗		01
R128	VZ008800	Flame Proof C. Resistor	22.0 1/4 J	不 燃 化 力 一 ボ ン 抵 抗		
R129	VZ008800	Flame Proof C. Resistor	22.0 1/4 J	不 燃 化 力 一 ボ ン 抵 抗		
R130	VZ008700	Flame Proof C. Resistor	2.2K 1/4 J	不 燃 化 力 一 ボ ン 抵 抗		
R131	VZ008700	Flame Proof C. Resistor	2.2K 1/4 J	不 燃 化 力 一 ボ ン 抵 抗		
R132	VZ009100	Flame Proof C. Resistor	33.0 1/4 J	不 燃 化 力 一 ボ ン 抵 抗		
R133	VZ009100	Flame Proof C. Resistor	33.0 1/4 J	不 燃 化 力 一 ボ ン 抵 抗		
R134	VZ008600	Flame Proof C. Resistor	150.0 1/4 J	不 燃 化 力 一 ボ ン 抵 抗		
R135	VZ008600	Flame Proof C. Resistor	150.0 1/4 J	不 燃 化 力 一 ボ ン 抵 抗		
R136	VZ009100	Flame Proof C. Resistor	33.0 1/4 J	不 燃 化 力 一 ボ ン 抵 抗		
R137	VZ009100	Flame Proof C. Resistor	33.0 1/4 J	不 燃 化 力 一 ボ ン 抵 抗		
R138	VZ009100	Flame Proof C. Resistor	33.0 1/4 J	不 燃 化 力 一 ボ ン 抵 抗		
R139	VZ009100	Flame Proof C. Resistor	33.0 1/4 J	不 燃 化 力 一 ボ ン 抵 抗		
R140	VZ009100	Flame Proof C. Resistor	33.0 1/4 J	不 燃 化 力 一 ボ ン 抵 抗		
R141	VZ009100	Flame Proof C. Resistor	33.0 1/4 J	不 燃 化 力 一 ボ ン 抵 抗		
R142	VZ009100	Flame Proof C. Resistor	33.0 1/4 J	不 燃 化 力 一 ボ ン 抵 抗		
R143	VZ009100	Flame Proof C. Resistor	33.0 1/4 J	不 燃 化 力 一 ボ ン 抵 抗		
R144	VZ009100	Flame Proof C. Resistor	33.0 1/4 J	不 燃 化 力 一 ボ ン 抵 抗		
R145	VZ009100	Flame Proof C. Resistor	33.0 1/4 J	不 燃 化 力 一 ボ ン 抵 抗		
R146	VZ370100	Wire Wound Resistor	0.47 5W K	セ メ ン ト 抵 抗		
R147	VZ370100	Wire Wound Resistor	0.47 5W K	セ メ ン ト 抵 抗		
R148	VZ370100	Wire Wound Resistor	0.47 5W K	セ メ ン ト 抵 抗		
R149	VZ370100	Wire Wound Resistor	0.47 5W K	セ メ ン ト 抵 抗		
R150	VZ370100	Wire Wound Resistor	0.47 5W K	セ メ ン ト 抵 抗		
R151	VZ370100	Wire Wound Resistor	0.47 5W K	セ メ ン ト 抵 抗		
R152	VZ370100	Wire Wound Resistor	0.47 5W K	セ メ ン ト 抵 抗		
R153	VZ370100	Wire Wound Resistor	0.47 5W K	セ メ ン ト 抵 抗		
R154	VZ370100	Wire Wound Resistor	0.47 5W K	セ メ ン ト 抵 抗		
R155	VZ370100	Wire Wound Resistor	0.47 5W K	セ メ ン ト 抵 抗		
R156	VZ008800	Flame Proof C. Resistor	22.0 1/4 J	不 燃 化 力 一 ボ ン 抵 抗		
R157	VZ008800	Flame Proof C. Resistor	22.0 1/4 J	不 燃 化 力 一 ボ ン 抵 抗		
R158	VZ008800	Flame Proof C. Resistor	22.0 1/4 J	不 燃 化 力 一 ボ ン 抵 抗		
R159	VZ008800	Flame Proof C. Resistor	22.0 1/4 J	不 燃 化 力 一 ボ ン 抵 抗		
R160	VZ008800	Flame Proof C. Resistor	22.0 1/4 J	不 燃 化 力 一 ボ ン 抵 抗		
R161	VZ008800	Flame Proof C. Resistor	22.0 1/4 J	不 燃 化 力 一 ボ ン 抵 抗		
R162	VZ008800	Flame Proof C. Resistor	22.0 1/4 J	不 燃 化 力 一 ボ ン 抵 抗		
R163	VZ008800	Flame Proof C. Resistor	22.0 1/4 J	不 燃 化 力 一 ボ ン 抵 抗		
R164	VZ008800	Flame Proof C. Resistor	22.0 1/4 J	不 燃 化 力 一 ボ ン 抵 抗		
R165	VZ008800	Flame Proof C. Resistor	22.0 1/4 J	不 燃 化 力 一 ボ ン 抵 抗		
R166	VV313600	Flame Proof C. Resistor	2.2 1/4 J	不 燃 化 力 一 ボ ン 抵 抗		
R167	VV313600	Flame Proof C. Resistor	2.2 1/4 J	不 燃 化 力 一 ボ ン 抵 抗		
R168	VV313600	Flame Proof C. Resistor	2.2 1/4 J	不 燃 化 力 一 ボ ン 抵 抗		
R169	VV313600	Flame Proof C. Resistor	2.2 1/4 J	不 燃 化 力 一 ボ ン 抵 抗		
R170	VV313600	Flame Proof C. Resistor	2.2 1/4 J	不 燃 化 力 一 ボ ン 抵 抗		
R171	VV313600	Flame Proof C. Resistor	2.2 1/4 J	不 燃 化 力 一 ボ ン 抵 抗		
R172	VZ370200	Wire Wound Resistor	0.1 5W K	セ メ ン ト 抵 抗		
R173	VZ370200	Wire Wound Resistor	0.1 5W K	セ メ ン ト 抵 抗		
R174	VZ370200	Wire Wound Resistor	0.1 5W K	セ メ ン ト 抵 抗		
R175	VZ370200	Wire Wound Resistor	0.1 5W K	セ メ ン ト 抵 抗		
R176	VZ370200	Wire Wound Resistor	0.1 5W K	セ メ ン ト 抵 抗		

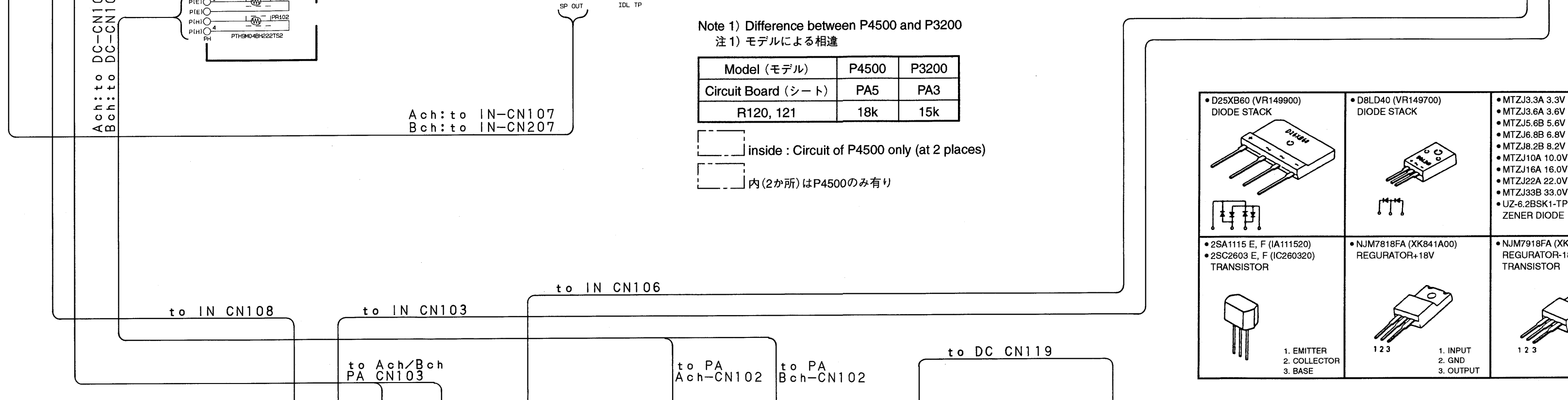
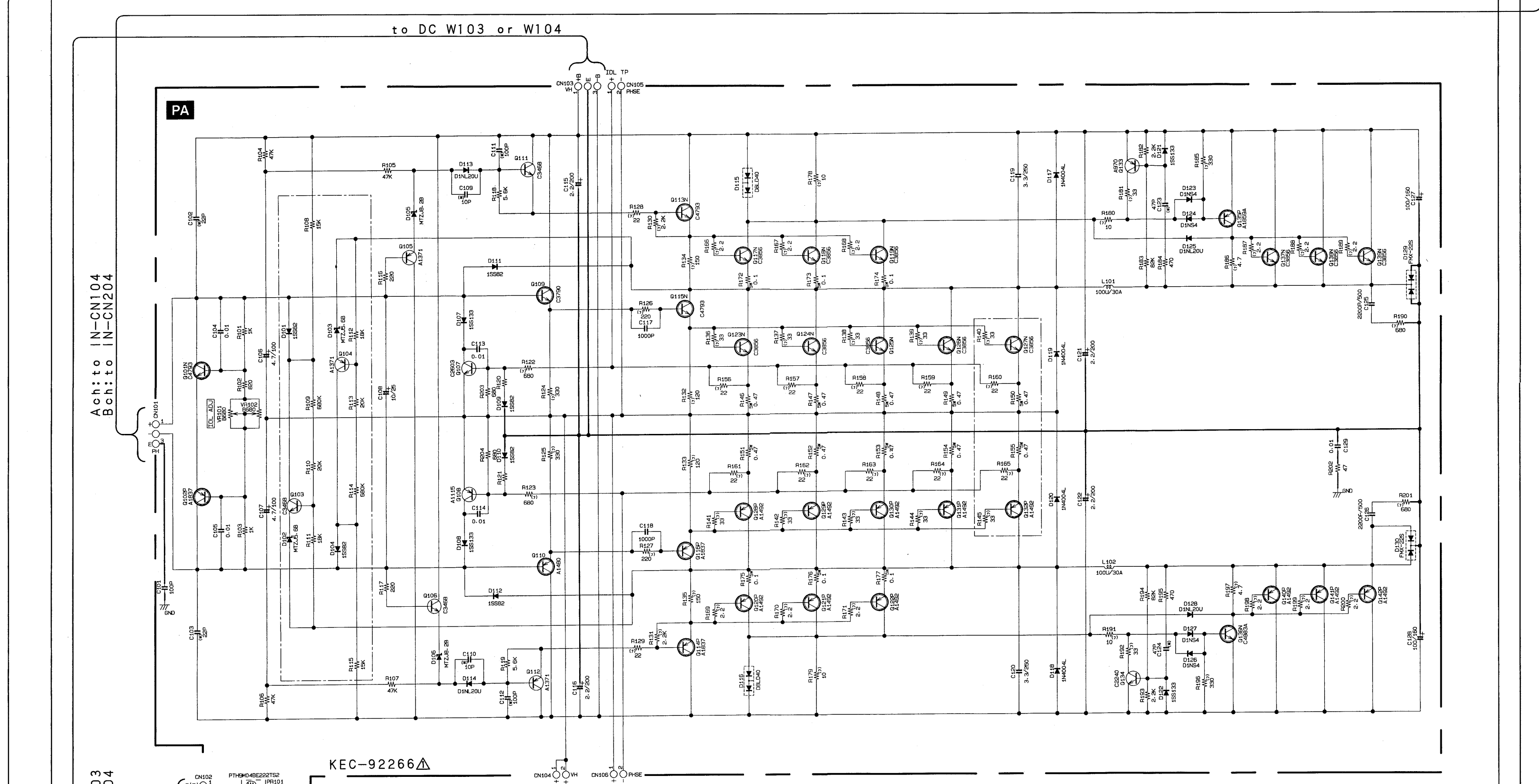
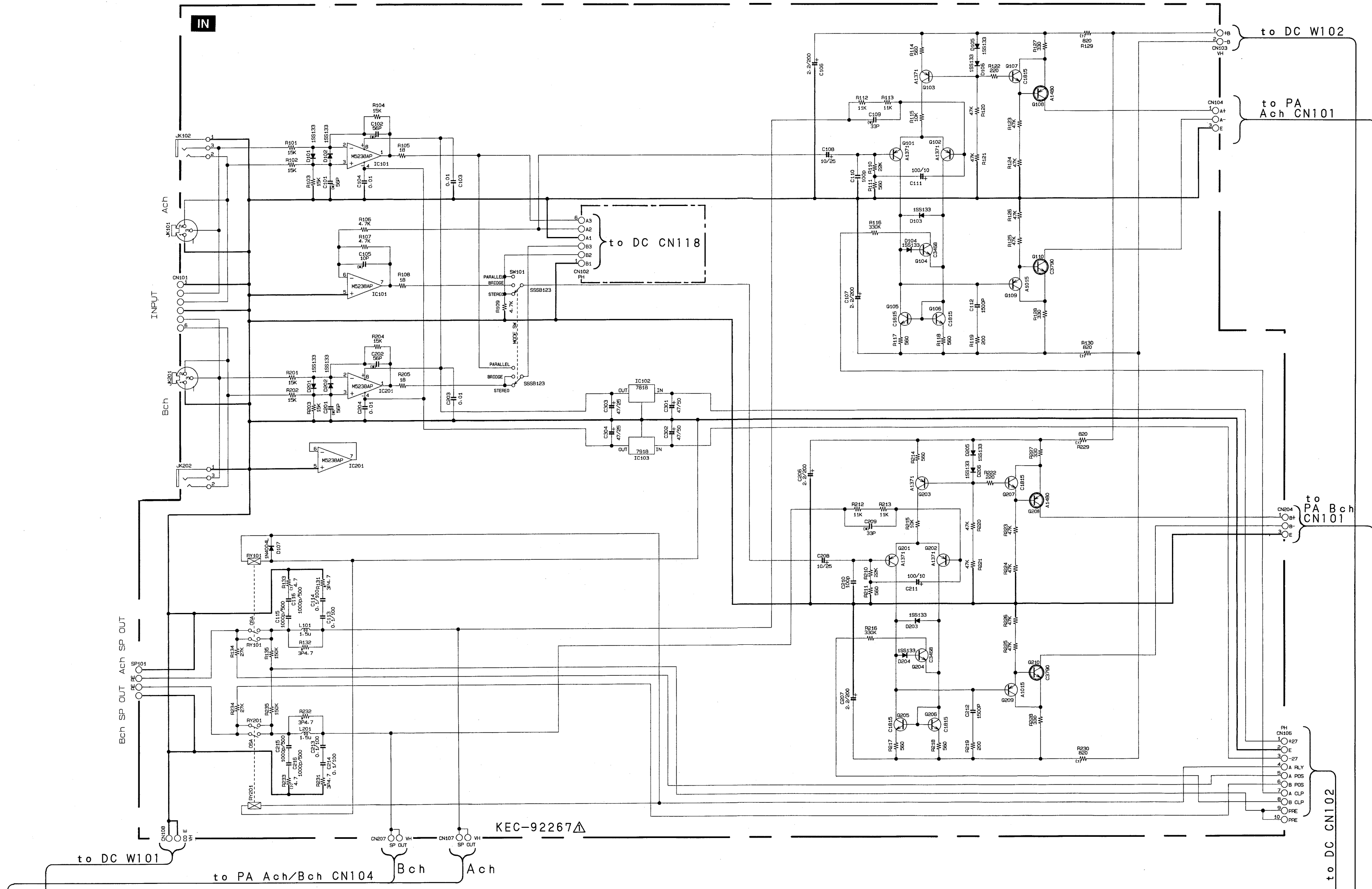
* New Parts (新規部品)

ラック : Japan only

REF NO.	PART NO.	DESCRIPTION	部 品 名	REMARKS	QTY	522
* R177	VZ370200	Wire Wound Resistor	0.1 5W K	セメント抵抗		
R178	VV058500	Flame Proof C. Resistor	10.0 1/4 J	不燃化カーボン抵抗		01
R179	VV058500	Flame Proof C. Resistor	10.0 1/4 J	不燃化カーボン抵抗		01
R180	VV058500	Flame Proof C. Resistor	10.0 1/4 J	不燃化カーボン抵抗		01
R181	VZ009100	Flame Proof C. Resistor	33.0 1/4 J	不燃化カーボン抵抗		
R182	HF456220	Carbon Resistor	2.2K 1/4 J	カーボン抵抗		01
R183	HF457820	Carbon Resistor	82.0K 1/4 J	カーボン抵抗		01
R184	HF455470	Carbon Resistor	470.0 1/4 J	カーボン抵抗		01
R185	VZ009300	Flame Proof C. Resistor	330.0 1/4 J	不燃化カーボン抵抗		
R186	VV276700	Flame Proof C. Resistor	4.7 1/4 J	不燃化カーボン抵抗		01
R187	VV313600	Flame Proof C. Resistor	2.2 1/4 J	不燃化カーボン抵抗		
R188	VV313600	Flame Proof C. Resistor	2.2 1/4 J	不燃化カーボン抵抗		
R189	VV313600	Flame Proof C. Resistor	2.2 1/4 J	不燃化カーボン抵抗		
R190	VV313900	Flame Proof C. Resistor	680.0 1/4 J	不燃化カーボン抵抗		01
R191	VV058500	Flame Proof C. Resistor	10.0 1/4 J	不燃化カーボン抵抗		01
R192	VZ009100	Flame Proof C. Resistor	33.0 1/4 J	不燃化カーボン抵抗		
R193	HF456220	Carbon Resistor	2.2K 1/4 J	カーボン抵抗		01
R194	HF457820	Carbon Resistor	82.0K 1/4 J	カーボン抵抗		01
R195	HF455470	Carbon Resistor	470.0 1/4 J	カーボン抵抗		01
R196	VZ009300	Flame Proof C. Resistor	330.0 1/4 J	不燃化カーボン抵抗		
R197	VV276700	Flame Proof C. Resistor	4.7 1/4 J	不燃化カーボン抵抗		01
R198	VV313600	Flame Proof C. Resistor	2.2 1/4 J	不燃化カーボン抵抗		
R199	VV313600	Flame Proof C. Resistor	2.2 1/4 J	不燃化カーボン抵抗		
R200	VV313600	Flame Proof C. Resistor	2.2 1/4 J	不燃化カーボン抵抗		
R201	VV313900	Flame Proof C. Resistor	680.0 1/4 J	不燃化カーボン抵抗		01
R202	HF454470	Carbon Resistor	47.0 1/4 J	カーボン抵抗		01
R203	HF455680	Carbon Resistor	680.0 1/4 J	カーボン抵抗		01
R204	HF455680	Carbon Resistor	680.0 1/4 J	カーボン抵抗		01
CN101	VV066300	Connector Base Post	M2426XX 3P TE	コネクタベースポスト		
CN102	VV066400	Connector Base Post	M2426XX 4P TE	コネクタベースポスト		01
CN103	LB932030	Base Post Connector	VH- 3P TE	ベースポスト		01
CN104	LB932020	Base Post Connector	VH- 2P TE	ベースポスト		01
CN105	VV067600	Connector Base Post	M2426XXR 2P SE	コネクタベースポスト		
CN106	VV067600	Connector Base Post	M2426XXR 2P SE	コネクタベースポスト		
PR101	VL965100	Positive Thermistor	PTH9M04BE222TS2	ポジスタ		04
PR102	VL964800	Positive Thermistor	PTH9M04BH222TS2	ポジスタ		04
Q101N	VQ547400	Transistor	A1837/C4793 (HFE)	ベアトランジスタ		04
Q102P	VQ547400	Transistor	A1837/C4793 (HFE)	ベアトランジスタ		04
Q113N	VQ547400	Transistor	A1837/C4793 (HFE)	ベアトランジスタ		04
Q114P	VQ547400	Transistor	A1837/C4793 (HFE)	ベアトランジスタ		04
Q115N	VQ547400	Transistor	A1837/C4793 (HFE)	ベアトランジスタ		04
Q116P	VQ547400	Transistor	A1837/C4793 (HFE)	ベアトランジスタ		04
Q117N	VZ222300	Pair Transistor	A1492C3856(Z)(210)	ベアトランジスタ		
Q118N	VZ222300	Pair Transistor	A1492C3856(Z)(210)	ベアトランジスタ		
Q119N	VZ222300	Pair Transistor	A1492C3856(Z)(210)	ベアトランジスタ		
Q120P	VZ222300	Pair Transistor	A1492C3856(Z)(210)	ベアトランジスタ		
Q121P	VZ222300	Pair Transistor	A1492C3856(Z)(210)	ベアトランジスタ		
Q122P	VZ222300	Pair Transistor	A1492C3856(Z)(210)	ベアトランジスタ		
Q123N	VZ222300	Pair Transistor	A1492C3856(Z)(210)	ベアトランジスタ		
Q124N	VZ222300	Pair Transistor	A1492C3856(Z)(210)	ベアトランジスタ		
Q125N	VZ222300	Pair Transistor	A1492C3856(Z)(210)	ベアトランジスタ		
Q126N	VZ222300	Pair Transistor	A1492C3856(Z)(210)	ベアトランジスタ		
Q127N	VZ222300	Pair Transistor	A1492C3856(Z)(210)	ベアトランジスタ		
Q128P	VZ222300	Pair Transistor	A1492C3856(Z)(210)	ベアトランジスタ		
Q129P	VZ222300	Pair Transistor	A1492C3856(Z)(210)	ベアトランジスタ		
Q130P	VZ222300	Pair Transistor	A1492C3856(Z)(210)	ベアトランジスタ		
Q131P	VZ222300	Pair Transistor	A1492C3856(Z)(210)	ベアトランジスタ		
Q132P	VZ222300	Pair Transistor	A1492C3856(Z)(210)	ベアトランジスタ		
Q135P	VR732800	Transistor	A1859A/C4883A	ベアトランジスタ		04
Q136N	VR732800	Transistor	A1859A/C4883A	ベアトランジスタ		04
Q137N	VZ222300	Pair Transistor	A1492C3856(Z)(210)	ベアトランジスタ		
Q138N	VZ222300	Pair Transistor	A1492C3856(Z)(210)	ベアトランジスタ		
Q139N	VZ222300	Pair Transistor	A1492C3856(Z)(210)	ベアトランジスタ		
Q140P	VZ222300	Pair Transistor	A1492C3856(Z)(210)	ベアトランジスタ		
Q141P	VZ222300	Pair Transistor	A1492C3856(Z)(210)	ベアトランジスタ		
Q142P	VZ222300	Pair Transistor	A1492C3856(Z)(210)	ベアトランジスタ		
* VR101	VZ352000	Trimmer Potentiometer	B 680 3P	半固定 V R		
* VR102	VZ352000	Trimmer Potentiometer	B 680 3P	半固定 V R		
20	---	Jumper Wire	0.60	ジャンパー線	(VV29140)	01

* New Parts (新規部品)

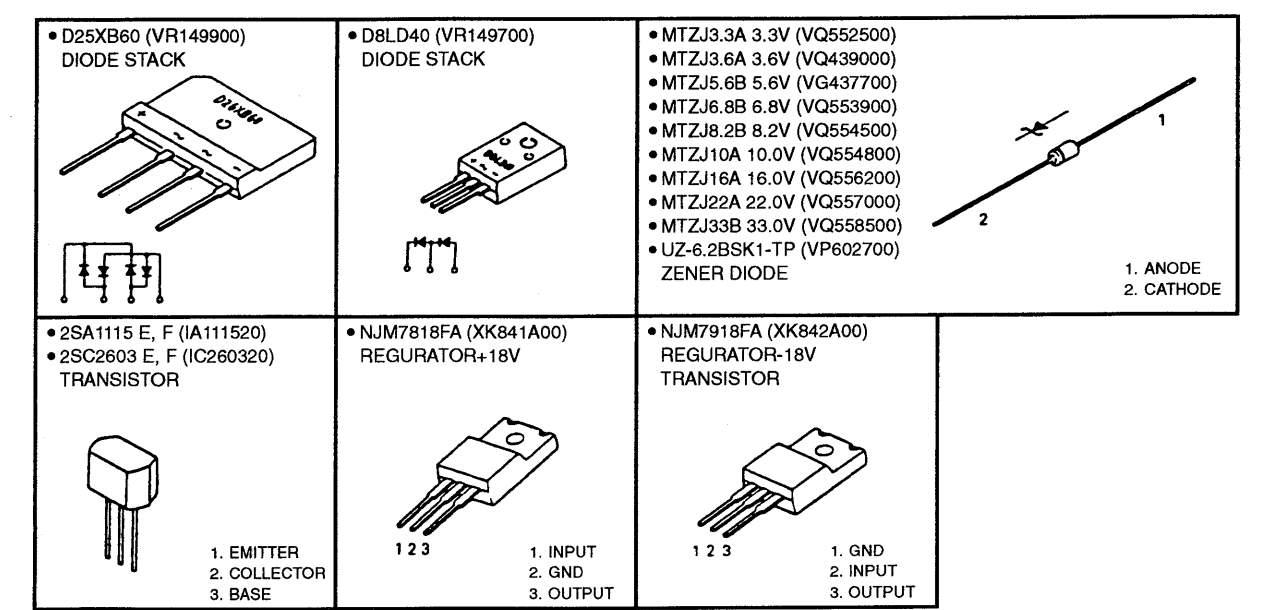
ランク : Japan only



Note 1) Difference between P4500 and P3200
注1) モデルによる相違

Model (モデル)	P4500	P3200
Circuit Board (シート)	PA5	PA3
R120, 121	18K	15K

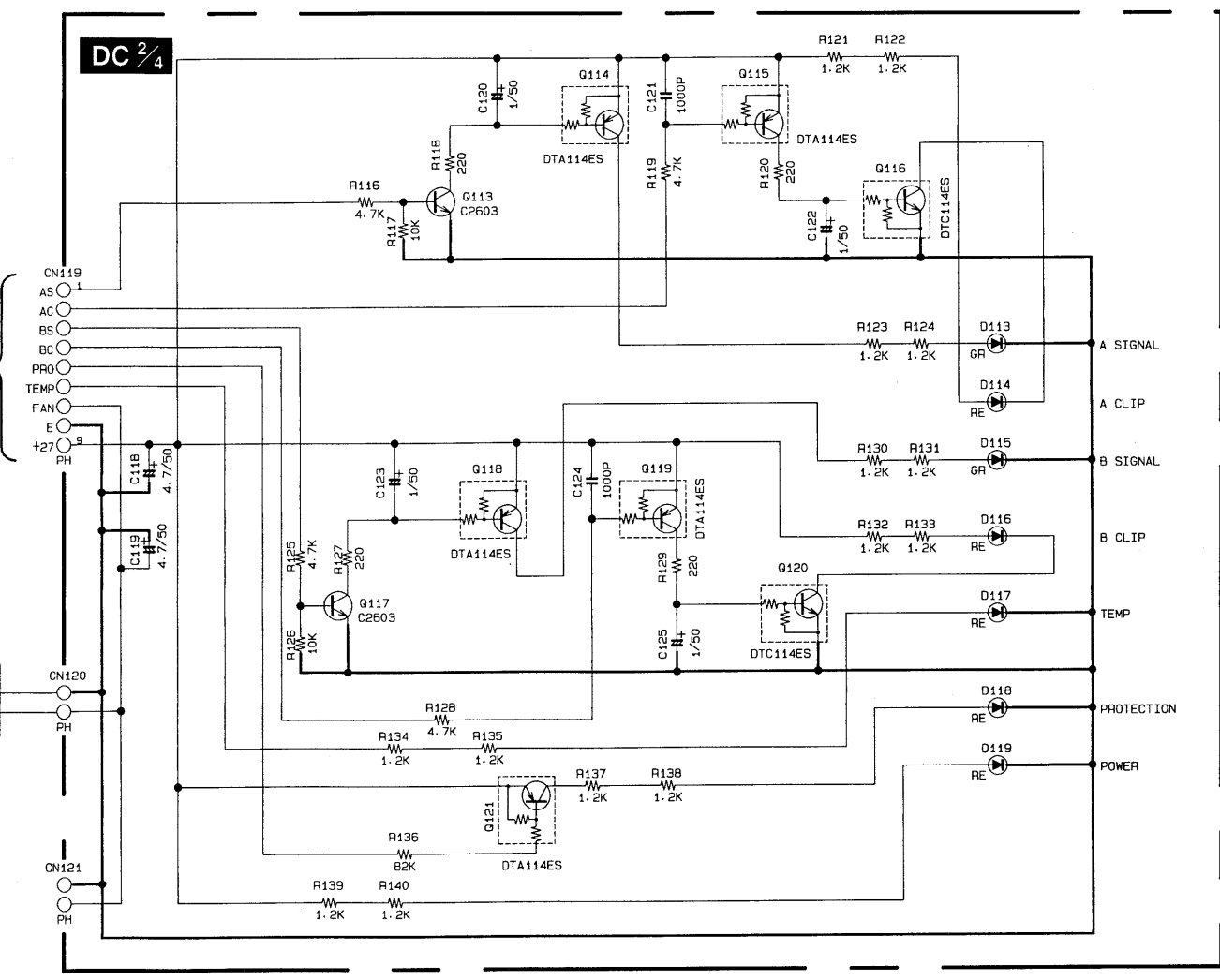
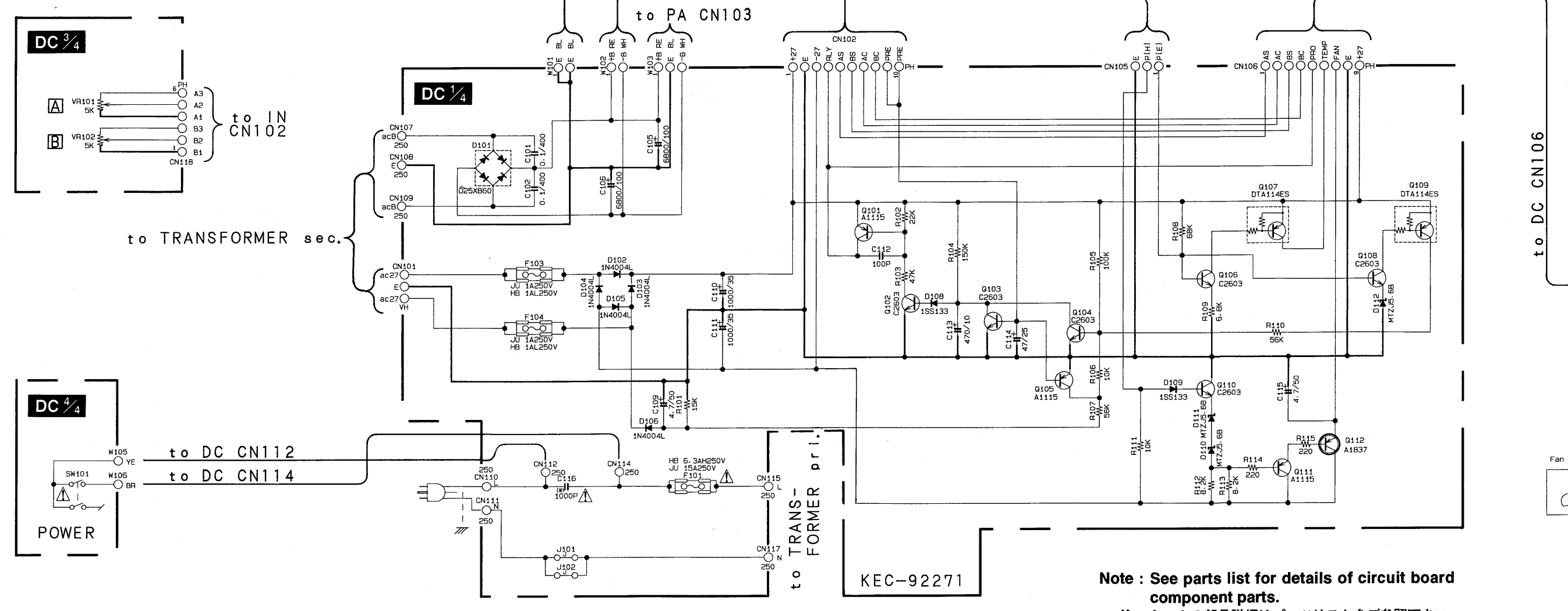
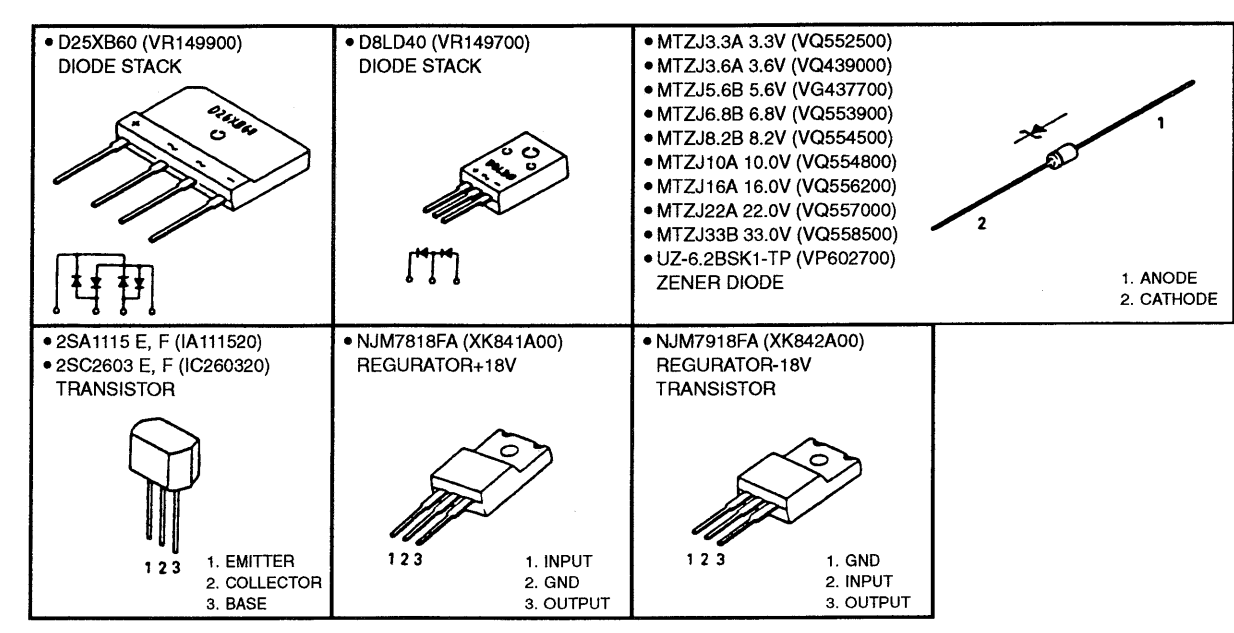
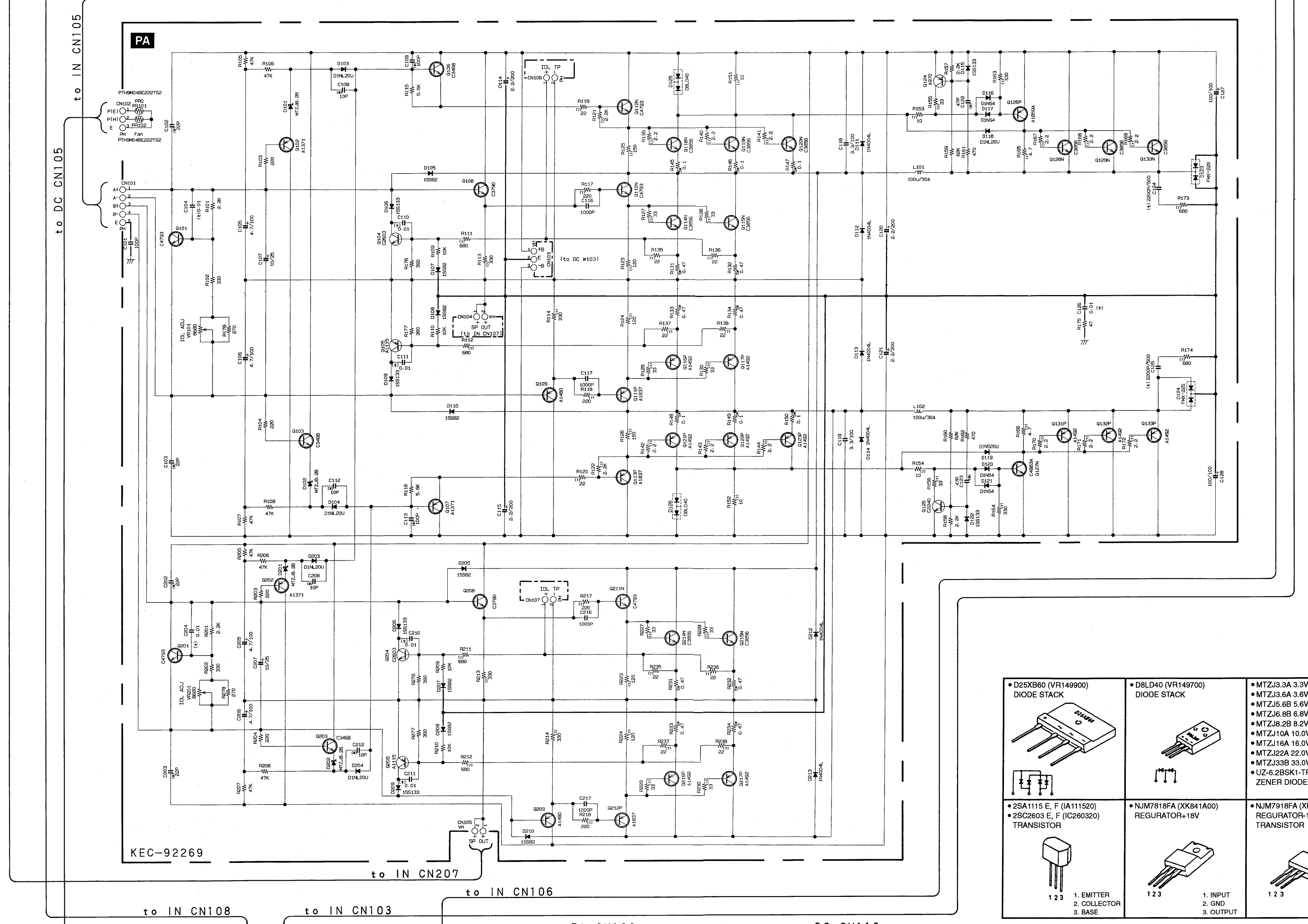
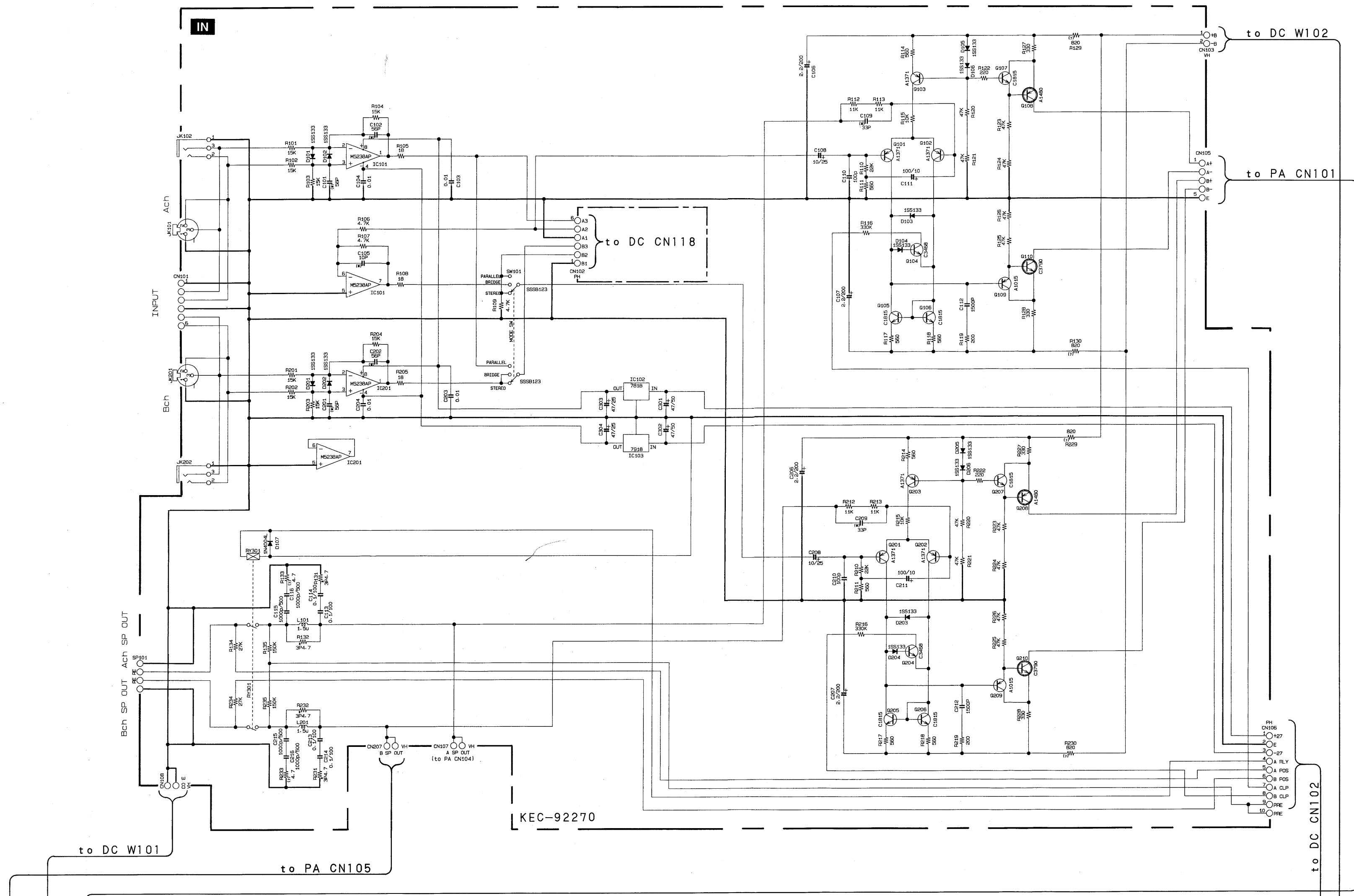
inside : Circuit of P4500 only (at 2 places)
内(2か所)はP4500のみ有り



Note : See parts list for details of circuit board component parts.
注 : シートの部品詳細はパーツリストをご参照下さい。

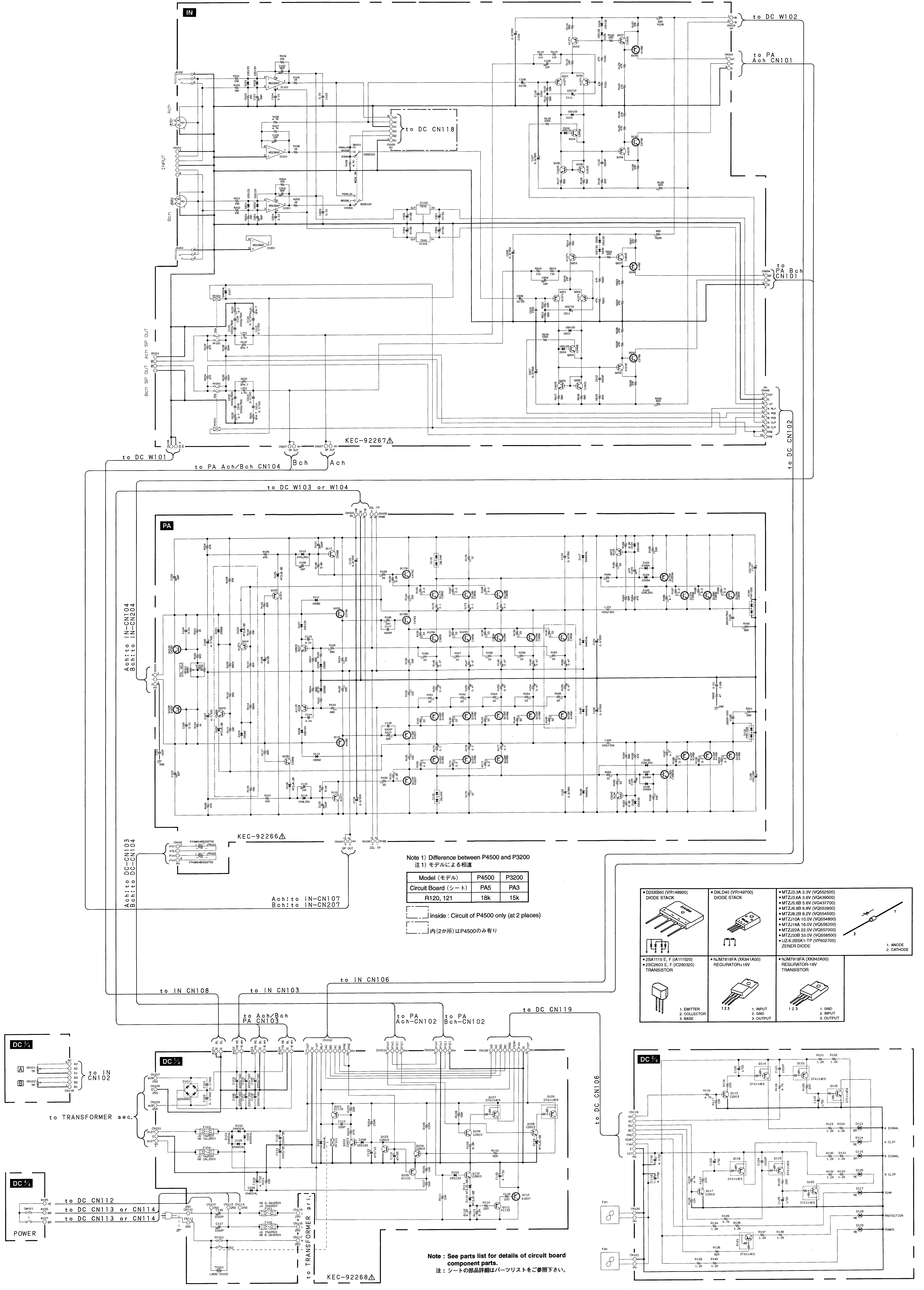
WARNING
Components having special characteristics are marked Δ and must be replaced with parts having specification equal to those originally installed.
 Δ 印の部品は、安全を維持するために重要な部品です。交換をする場合は、安全の為に必ず指定の部品をご使用ください。

744811



Note: See parts list for details of circuit board component parts.
 注: シートの部品詳細はパーツリストをご参照下さい。

WARNING
 Components having special characteristics are marked Δ and must be replaced with parts having specification equal to those originally installed.
 Δ 印の部品は、安全を維持するために重要な部品です。交換をする場合は、安全の為必ず指定の部品をご使用ください。



Note 1) Difference between P4500 and P3200
注1) モデルによる相違

Model (モデル)	P4500	P3200
Circuit Board (シート)	PA5	PA3
R120, 121	18k	15k

inside : Circuit of P4500 only (at 2 places)
内(2か所)はP4500のみ有り

<ul style="list-style-type: none"> • D25X80 (VR149900) DIODE STACK 	<ul style="list-style-type: none"> • DR1D40 (VR149700) DIODE STACK 	<ul style="list-style-type: none"> • MTZ3.3A 3.3V (VQ552500) • MTZ3.6A 3.6V (VQ439000) • MTZ3.6B 5.6V (VQ437700) • MTZ3.6B 8.8V (VQ353900) • MTZ3.8B 8.2V (VQ554500) • MTZ10A 10.0V (VQ554800) • MTZ16A 16.0V (VQ556200) • MTZ25A 22.0V (VQ557000) • MTZ33B 33.0V (VQ558500) • UZ-6.2BSK1-TP (VQ622700) ZENER DIODE <p>1. ANODE 2. CATHODE</p>
<ul style="list-style-type: none"> • 2SA1115 E, F (A111520) • 2SC2603 E, F (C260320) TRANSISTOR <p>1. EMITTER 2. COLLECTOR 3. BASE</p>	<ul style="list-style-type: none"> • NJM7918FA (KK841A00) REGULATOR-18V <p>1. INPUT 2. GND 3. OUTPUT</p>	<ul style="list-style-type: none"> • NJM7918FA (KK842A00) REGULATOR-16V TRANSISTOR <p>1. GND 2. INPUT 3. OUTPUT</p>

Note : See parts list for details of circuit board component parts.
注 : シートの部品詳細はパーツリストをご参照下さい。

WARNING
Components having special characteristics are marked Δ and must be replaced with parts having specification equal to those originally installed.
 Δ 印の部品は、安全を維持するために重要な部品です。交換をする場合は、安全の為必ず指定の部品をご使用ください。