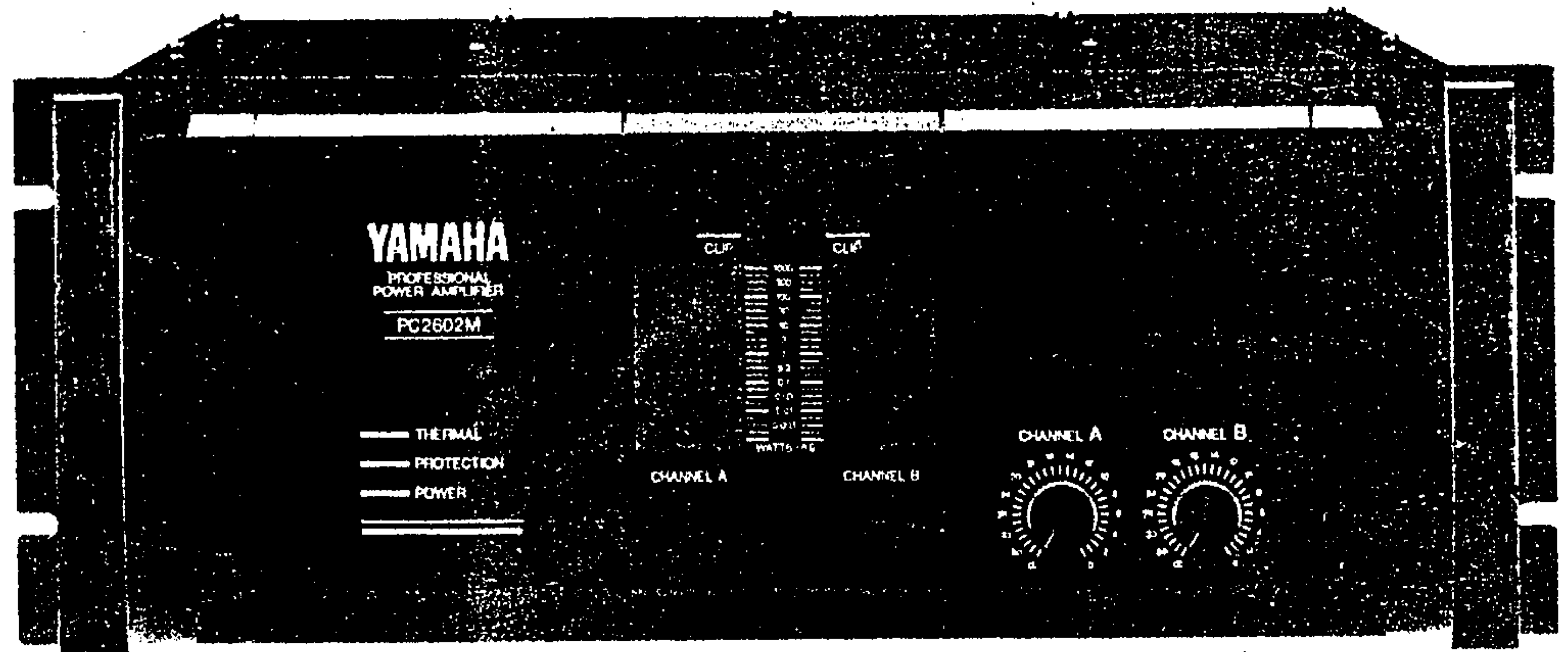


# POWER AMPLIFIERS

# PC1602/PC2602/PC2602M

## SERVICE MANUAL



PC2602M

### ■ CONTENTS (目次)

● PC1602	
SPECIFICATIONS (総合仕様) .....	2
PANEL LAYOUT (パネルレイアウト) .....	4
PERFORMANCE GRAPHS (特性図) .....	6
BLOCK DIAGRAM (ブロックダイアグラム) .....	8
DIMENSIONS (寸法図) .....	9
● PC2602/PC2602M	
SPECIFICATIONS (総合仕様) .....	10
PANEL LAYOUT (パネルレイアウト) .....	12
PERFORMANCE GRAPHS (特性図) .....	14
BLOCK DIAGRAM (ブロックダイアグラム) .....	16
DIMENSIONS (寸法図) .....	17
● PC1602/PC2602/PC2602M	
CIRCUIT BOARD LAYOUT & WIRING (ユニットレイアウト&結線図) .....	18
IC BLOCK DIAGRAM (ICブロック図) .....	21
CIRCUIT BOARDS (シート基板図) .....	22
COOLING FAN FILTER MAINTENANCE (クーリングファンフィルターメンテナンス) .....	30
DISASSEMBLY PROCEDURE (分解手順) .....	31
PARTS LIST	

006789

**YAMAHA CORP.**  
HAMAMATSU, JAPAN  
2.05K-415 © Printed in Japan '88.3

PC1602  
PC2602/PC2602M

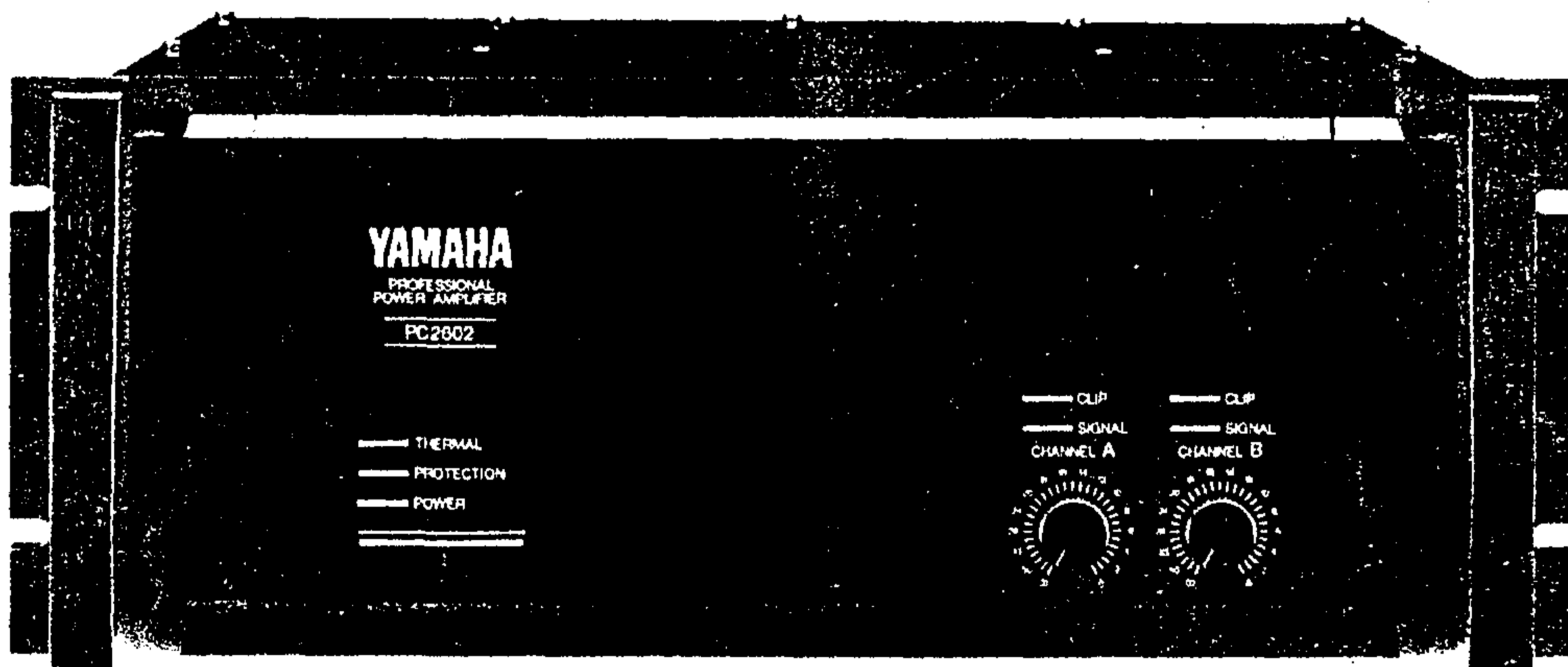
## IMPORTANT NOTICE

This manual has been provided for the use of authorized Yamaha Retailers and their service personnel. It has been assumed that basic service procedures inherent to the industry, and more specifically Yamaha Products, are already known and understood by the users, and have therefore not been restated.

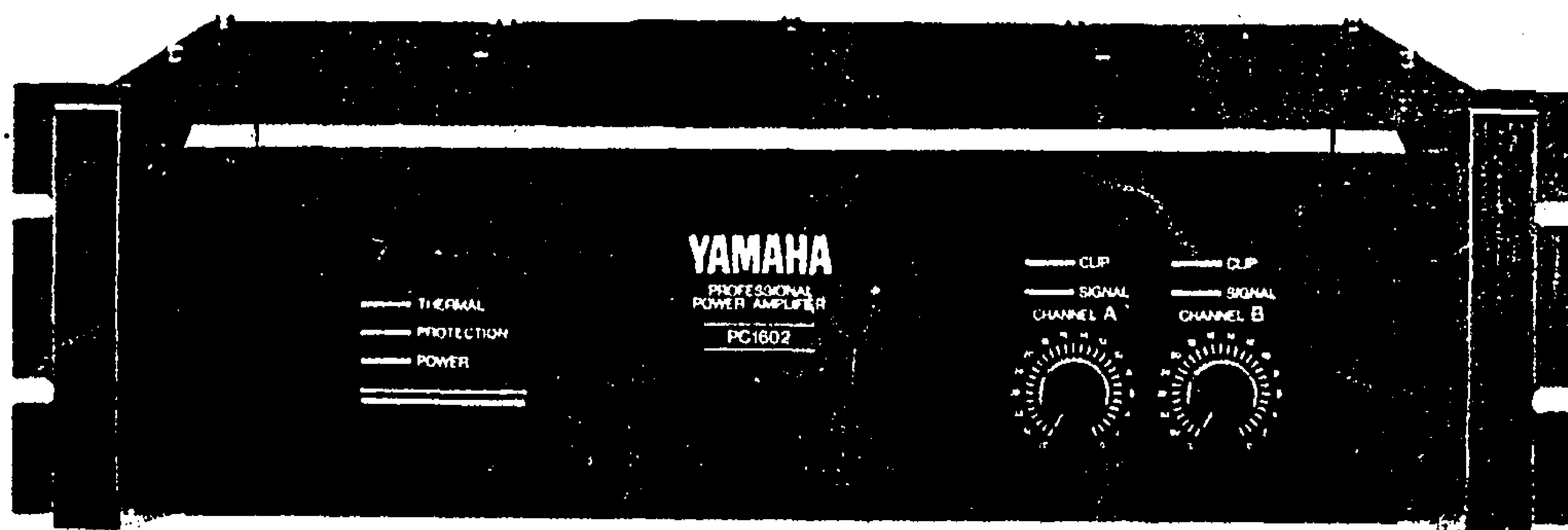
**WARNING:** Failure to follow appropriate service and safety procedures when servicing this product may result in personal injury, destruction of expensive components and failure of the product to perform as specified. For these reasons, we advise all Yamaha product owners that all service required should be performed by an authorized Yamaha Retailer or the appointed service representative.

**WARNING:** Static discharges can destroy expensive components. Discharge any static electricity your body may have accumulated by grounding yourself to the ground buss in the unit (heavy gauge black wires connect to this buss).

**IMPORTANT:** Turn the unit **OFF** during disassembly and parts replacement. Recheck all work before you apply power to the unit.



PC2602



PC1602

## ■ SPECIFICATIONS (PC1602)

### POWER OUTPUT LEVEL

Continuous average sine wave power with less than 0.05% THD. 20 Hz to 20 kHz

Stereo, 8 ohms ..... 160 W + 160 W

Stereo, 4 ohms ..... 240 W + 240 W

Mono, 8 ohms ..... 480 W

### FREQUENCY RESPONSE

10 Hz to 50 kHz, 8 ohms, 1 W .....  $0 \pm 1$  dB

### TOTAL HARMONIC DISTORTION

Stereo 8 ohms, 80 W

20 Hz to 20 kHz ..... Less than 0.007%

Stereo 4 ohms 120 W

20 Hz to 20 kHz ..... Less than 0.015%

Mono 8 ohms 240 W

20 Hz to 20 kHz ..... Less than 0.015%

### INTER MODULATION DISTORTION

250 Hz 12.5 kHz mixed 4 : 1

Stereo 8 ohms, 80 W ..... Less than 0.005%

Mono 8 ohms, 240 W ..... Less than 0.01%

### INPUT SENSITIVITY

Input level which produces 160 W output into

8 ohms ..... +4 dB (1.23 V rms)

### INPUT IMPEDANCE

Balanced and unbalanced inputs maximum attenuator

setting ..... 15 kohms

### DAMPING FACTOR

$f=1$  kHz,  $R_L=8\Omega$  ..... Greater than 200

### S/N RATIO

Input shorted @ 12.7 kHz ..... 107 dB

Input shorted @ IHF-A ..... 110 dB

### SLEW RATE

Stereo 8 ohms .....  $\pm 40$  V/ $\mu$ sec Full Swing

Mono 8 ohms .....  $\pm 60$  V/ $\mu$ sec Full Swing

### CHANNEL SEPARATION

8 ohms 80 W

1 kHz ..... 90 dB

8 ohms 80 W

20 Hz to 20 kHz ..... 70 dB

### INDICATORS

Pilot ..... RED LED

Protection (Muting ON) ..... RED LED

Thermal ..... RED LED

Clipping (1% THD) ..... RED LED

Signal ..... GREEN LED

### FRONT PANEL CONTROLS

Power switch ..... Push-ON/Push-OFF

Input attenuators (one per channel) ..... 31 positions

### REAR PANEL CONTROLS

Mode switch ..... STEREO/MONO

Pin 1 GND switch (XLR connectors) ..... ON/OFF

Voltage selector switch (general model only)

### PROTECTION CIRCUITS

Muting .....  $6 \pm 2$  seconds after power turned ON

DC sense ..... DC  $\pm 2$  V output voltage

Thermal protection .....  $\geq 85^\circ\text{C}$  heat sink temperature

PC limiter .....  $R_L \geq 2$  ohms when ON

### COOLING FAN CIRCUIT

Fan ON temp .....  $\geq 60^\circ\text{C}$  heat sink temp.

Fan OFF temp .....  $\leq 45^\circ\text{C}$  heat sink temperature

### POWER REQUIREMENTS

U.S. & CANADIAN models ..... AC 120 V, 60 Hz

GENERAL model ..... AC220/240 V, 50/60 Hz

### POWER CONSUMPTION

U.S. & CANADIAN models ..... 800 W, 1000 VA

GENERAL model ..... 800 W

### DIMENSIONS

(W x D x H) ..... 480 x 431.3 x 140 mm

(18-7/8" x 17" x 5-1/2")

WEIGHT ..... 21.7 kg (47.8 lbs)

**NOTE:**CANADIAN models must be operated into 8 ohms in stereo mode and 16 ohms in mono mode in accordance with safety regulations.

## ■総合仕様 (PC1602)

### パワーアンプ部

定格出力 (STEREO)	160W+160W	( $R_L=8\Omega, f=20\sim 20\text{kHz}, \text{THD}=0.05\%$ )
	240W+240W	( $R_L=4\Omega, f=20\sim 20\text{kHz}, \text{THD}=0.05\%$ )
(BTL-MONO)	320W	( $R_L=16\Omega, f=20\sim 20\text{kHz}, \text{THD}=0.05\%$ )
	480W	( $R_L=8\Omega, f=20\sim 20\text{kHz}, \text{THD}=0.05\%$ )

周波数特性	0dB $\pm$ 1.0dB以内	( $f=10\sim 50\text{kHz}, R_L=8\Omega, P_o=1\text{W}$ )
出力帯域特性 (STEREO)	20~50kHz	( $P_o=80\text{W}, R_L=8\Omega, \text{THD}\leq 0.1\%$ )
		( $P_o=120\text{W}, R_L=4\Omega, \text{THD}\leq 0.1\%$ )
(BTL-MONO)		( $P_o=160\text{W}, R_L=16\Omega, \text{THD}\leq 0.1\%$ )
		( $P_o=240\text{W}, R_L=8\Omega, \text{THD}\leq 0.1\%$ )

全高調波歪率 (STEREO)	$\leq 0.005\%$	( $P_o=80\text{W}, f=1\text{kHz}, R_L=8\Omega$ )
	$\leq 0.007\%$	( $P_o=80\text{W}, f=20\sim 20\text{kHz}, R_L=8\Omega$ )
	$\leq 0.007\%$	( $P_o=120\text{W}, f=1\text{kHz}, R_L=4\Omega$ )
	$\leq 0.015\%$	( $P_o=120\text{W}, f=20\sim 20\text{kHz}, R_L=4\Omega$ )
(BTL-MONO)	$\leq 0.006\%$	( $P_o=160\text{W}, f=1\text{kHz}, R_L=16\Omega$ )
	$\leq 0.01\%$	( $P_o=160\text{W}, f=20\sim 20\text{kHz}, R_L=16\Omega$ )
	$\leq 0.007\%$	( $P_o=240\text{W}, f=1\text{kHz}, R_L=8\Omega$ )
	$\leq 0.015\%$	( $P_o=240\text{W}, f=20\sim 20\text{kHz}, R_L=8\Omega$ )

混変調歪率 (STEREO)	$\leq 0.005\%$	( $P_o=80\text{W}, 250\text{Hz}: 12.5\text{kHz}=4:1, R_L=8\Omega$ )
	$\leq 0.007\%$	( $P_o=120\text{W}, 250\text{Hz}: 12.5\text{kHz}=4:1, R_L=4\Omega$ )
(BTL-MONO)	$\leq 0.01\%$	( $P_o=160\text{W}, 250\text{Hz}: 12.5\text{kHz}=4:1, R_L=16\Omega$ )
	$\leq 0.01\%$	( $P_o=240\text{W}, 250\text{Hz}: 12.5\text{kHz}=4:1, R_L=8\Omega$ )

チャンネルセパレーション	$\geq 90\text{dB}$	( $f=1\text{kHz}$ )
	$\geq 70\text{dB}$	( $f=20\sim 20\text{kHz}$ $R_L=8\Omega, \text{ATT Max, Input } 600\Omega \text{ shunt}$ $P_o=80\text{W}$ )

S/N比	$\geq 107\text{dB}$	(Input 600 $\Omega$ shunt, @ $f_c=12.7\text{kHz}$ 6dB/oct LPF)
	$\geq 110\text{dB}$	(Input 600 $\Omega$ shunt, @IHF-A Network)

ダンピングファクター	$\geq 200$	( $R_L=8\Omega, f=1\text{kHz}$ )
------------	------------	----------------------------------

残留ノイズ	$\leq -83\text{dBm}$	(ATT min, @ $f_c=12.7\text{kHz}$ 6dB/oct LPF)
	$\leq -87\text{dBm}$	(ATT min, @IHF-A Network)

スルーレイト	$\pm 40\text{V}$	(STEREO, $R_L=8\Omega$ Full Swing)
	$\pm 60\text{V}$	(BTL-MONO, $R_L=8\Omega$ Full Swing)

ライズタイム	2.7 $\mu\text{s}$	( $R_L=8\Omega, P_o=1\text{W}$ )
--------	-------------------	----------------------------------

入力感度	+4dBm	( $P_o=160\text{W}, R_L=8\Omega, \text{ATT Max}, f=1\text{kHz}$ )
------	-------	---

電圧利得	29.3dB	
入力インピーダンス	$\geq 15\text{k}\Omega$	(Balance, Unbalance, ATT Max)

### インジケータ回路部

シグナル インジケータ	緑色 LED	( $f=20\sim 20\text{kHz}, V_o\geq 2\text{V}$ )
クリッピング インジケータ	赤色 LED	( $\text{THD}\geq 1\%$ )
プロテクション インジケータ	赤色 LED	(保護回路動作時及びミューティング時間中)
サーマル インジケータ	赤色 LED	(ファン回転時 点灯)
パイロット インジケータ	赤色 LED	(通電時)

### コントロール部

フロントパネル	Power SW	
	INPUT ATT	(31ポジション 0~-20dB 1dB ステップ -20~-30dB 2dB ステップ -33, -40, -50, -55, - $\infty$ )

リアパネル	MODE SW	(STEREO/MONO 切換)
-------	---------	------------------

	PIN1.GND SW	(キャノンコネクタPIN1 GND ON/OFF 切換)
--	-------------	------------------------------

### 電源電圧及び消費電力

電源電圧定格	AC100V 50Hz/60Hz
--------	------------------

消費電力	350W
------	------

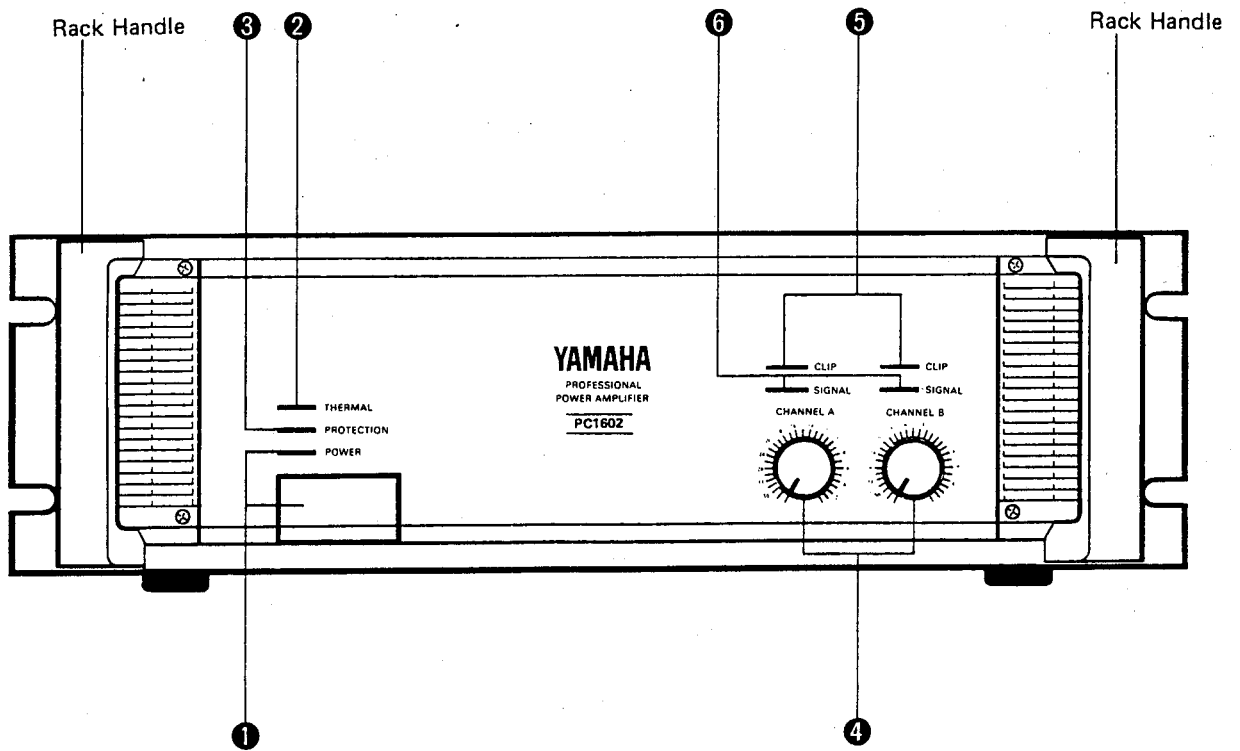
### 外型寸法及び重量

外型寸法	480 $\times$ 431.3 $\times$ 140mm
------	-----------------------------------

重量	21.7kg
----	--------

## ■ PANEL LAYOUT (パネルレイアウト) PC1602

### ● Front Panel (フロントパネル)



① POWER Switch/POWER Indicator (Red)

② Thermal Indicator (Red)

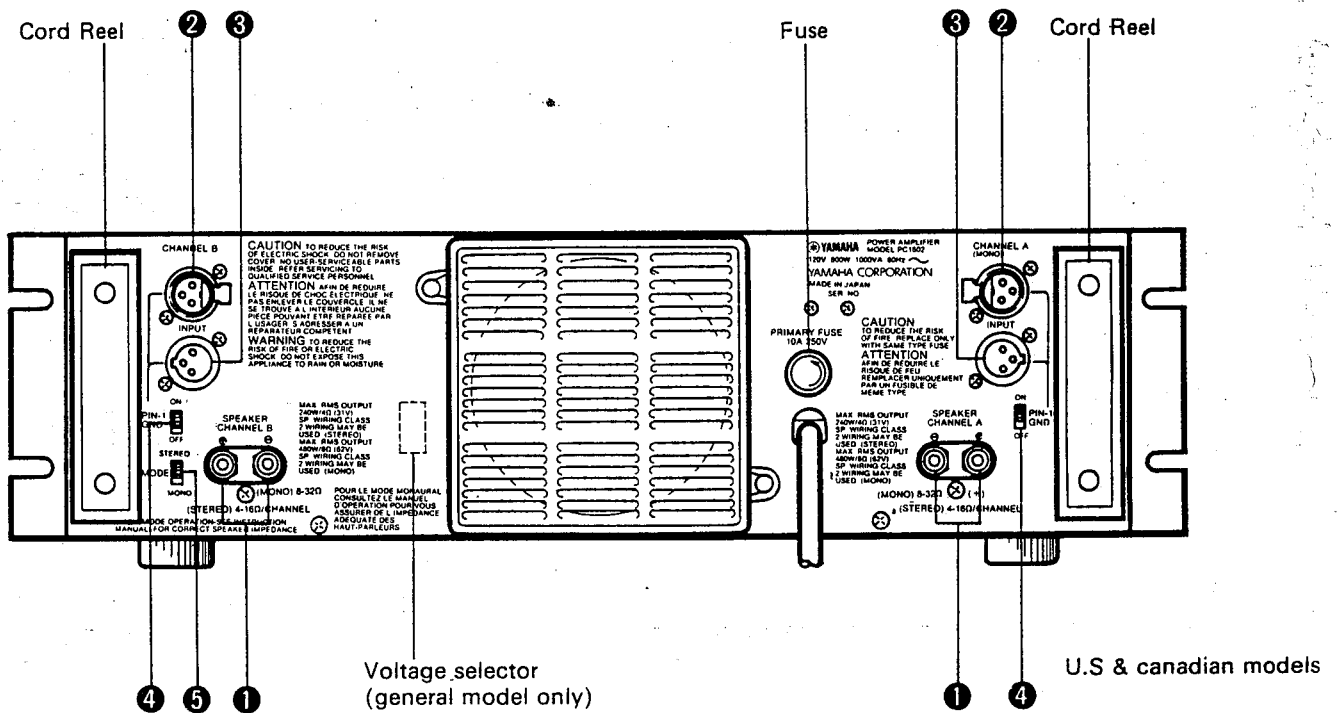
③ PROTECTION Indicator (Red)

④ Input Attenuators

⑤ CLIP Indicators (Red)

⑥ SIGNAL Indicators (Green)

● Rear Panel (リアパネル)



- ① SPEAKER Output Terminals
- ② INPUT Connectors (XLR-3-31)
- ③ INPUT Connectors (XLR-3-32)

- ④ PIN 1 GND SW
- ⑤ MODE Selector Switch

**PERFORMANCE GRAPHS (特性図) PC1602**

**FREQUENCY RESPONSE**

LOAD : 8 ohms  
 Po = 1W at 1 kHz  
 MODE : STEREO  
 Input balanced

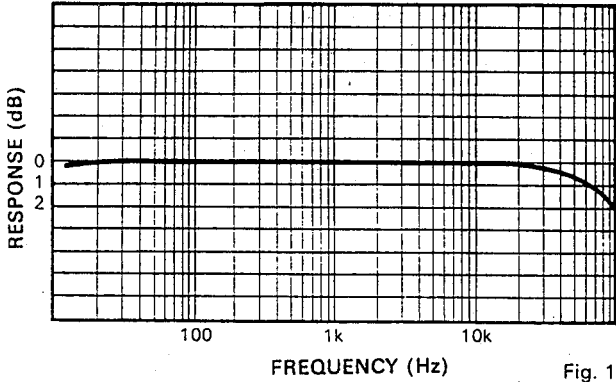


Fig. 1

**DAMPING FACTOR**

LOAD : 8 ohms  
 MODE : STEREO

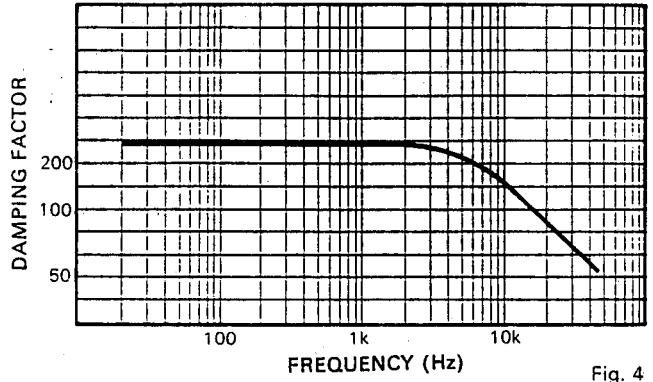


Fig. 4

**T.H. DISTORTION**

LOAD : 16 ohms  
 MODE : MONO  
 Unbalanced input

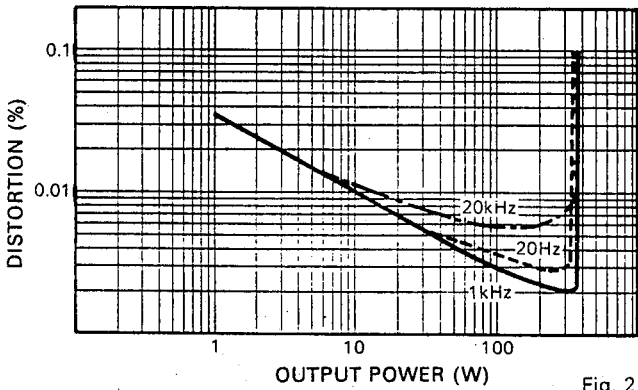


Fig. 2

**POWER BAND WIDTH**

THD : 0.05%  
 LOAD : 8 ohms  
 MODE : STEREO  
 Both channels driven

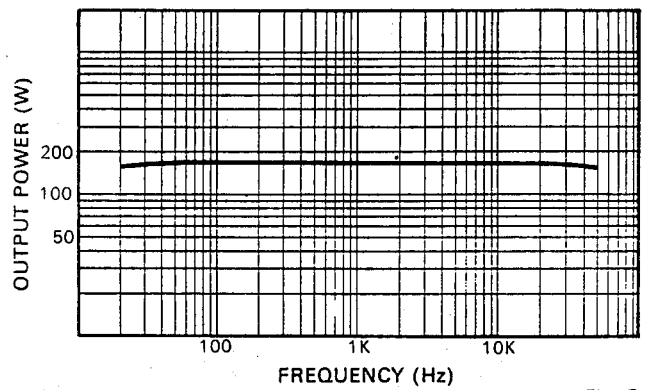


Fig. 5

**T.H. DISTORTION**

LOAD : 8 ohms  
 MODE : STEREO  
 Both channels driven

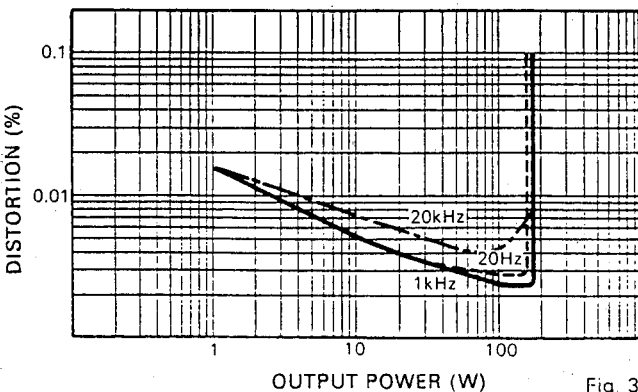


Fig. 3

20 Hz SQUARE-WAVE RESPONSE

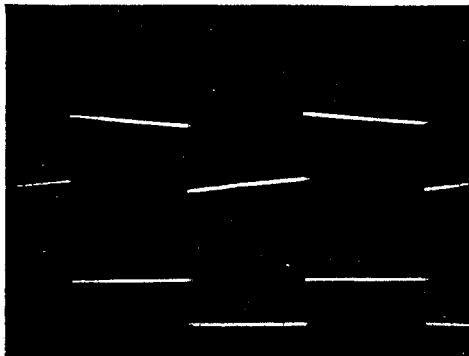
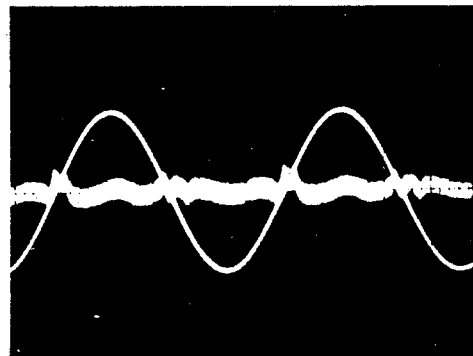


Fig. 6

TOTAL HARMONIC DISTORTION 20 kHz SINE WAVE



LOAD : 8  $\Omega$   
MODE : STEREO  
Po = 80W  
Fig. 10

1 kHz SQUARE-WAVE RESPONSE

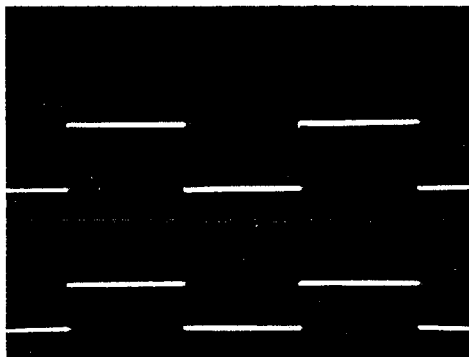


Fig. 7

SLEW RATE

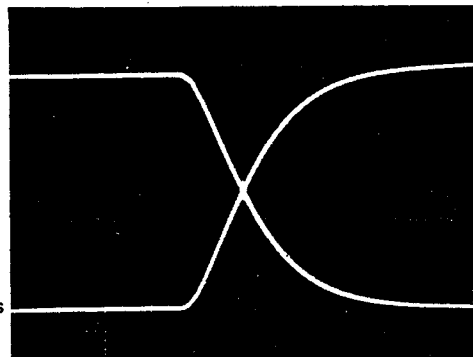


Fig. 11

20 kHz SQUARE-WAVE RESPONSE

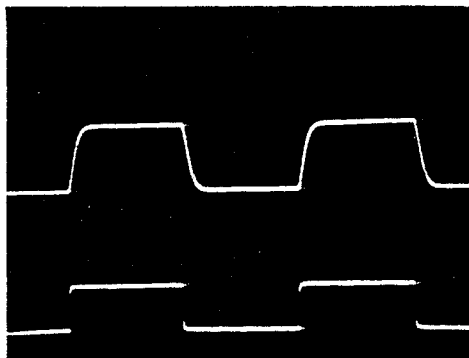


Fig. 8

RISE TIME

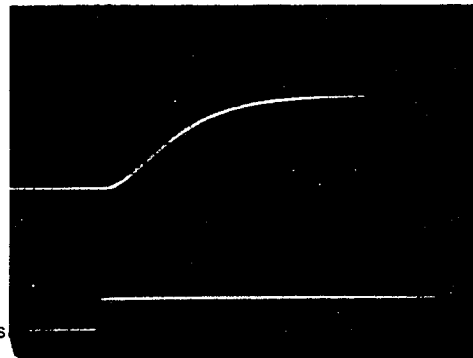


Fig. 12

TOTAL HARMONIC DISTORTION 1 kHz SINE WAVE

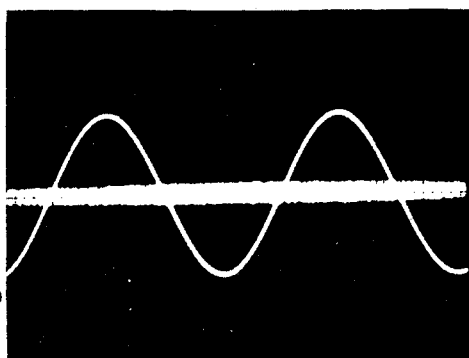


Fig. 9

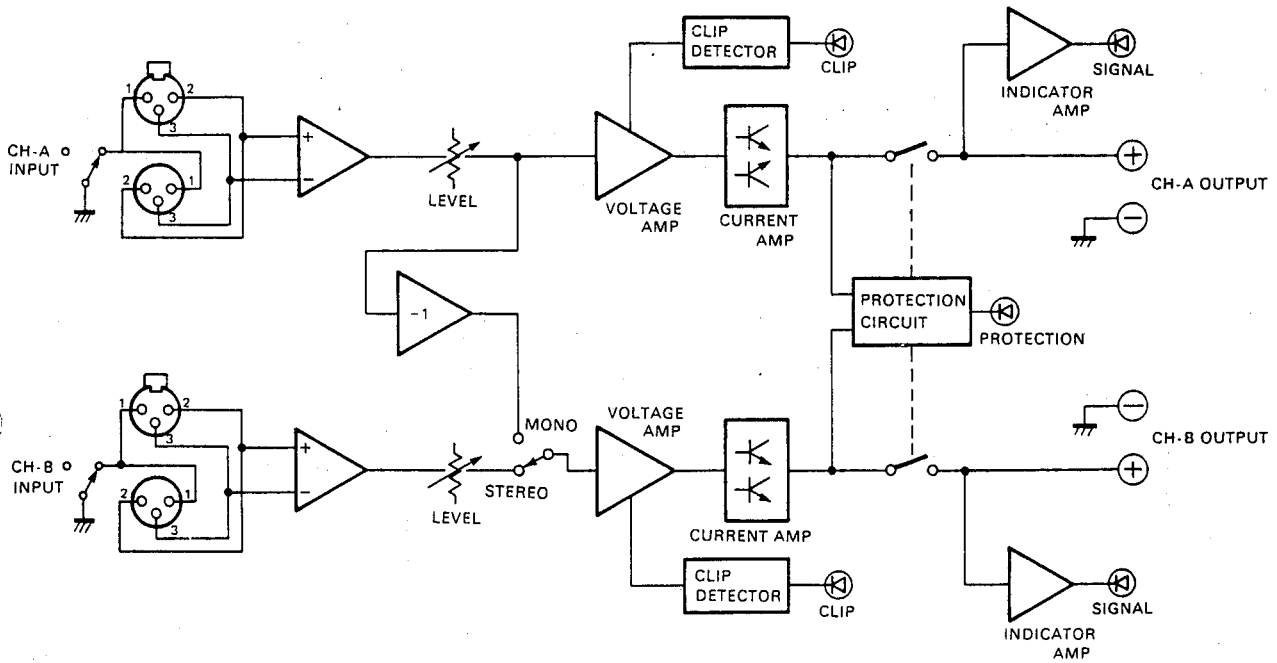
LOAD : 8  $\Omega$   
MODE : STEREO  
Po = 80W

PC1602  
PC2602/PC2602M

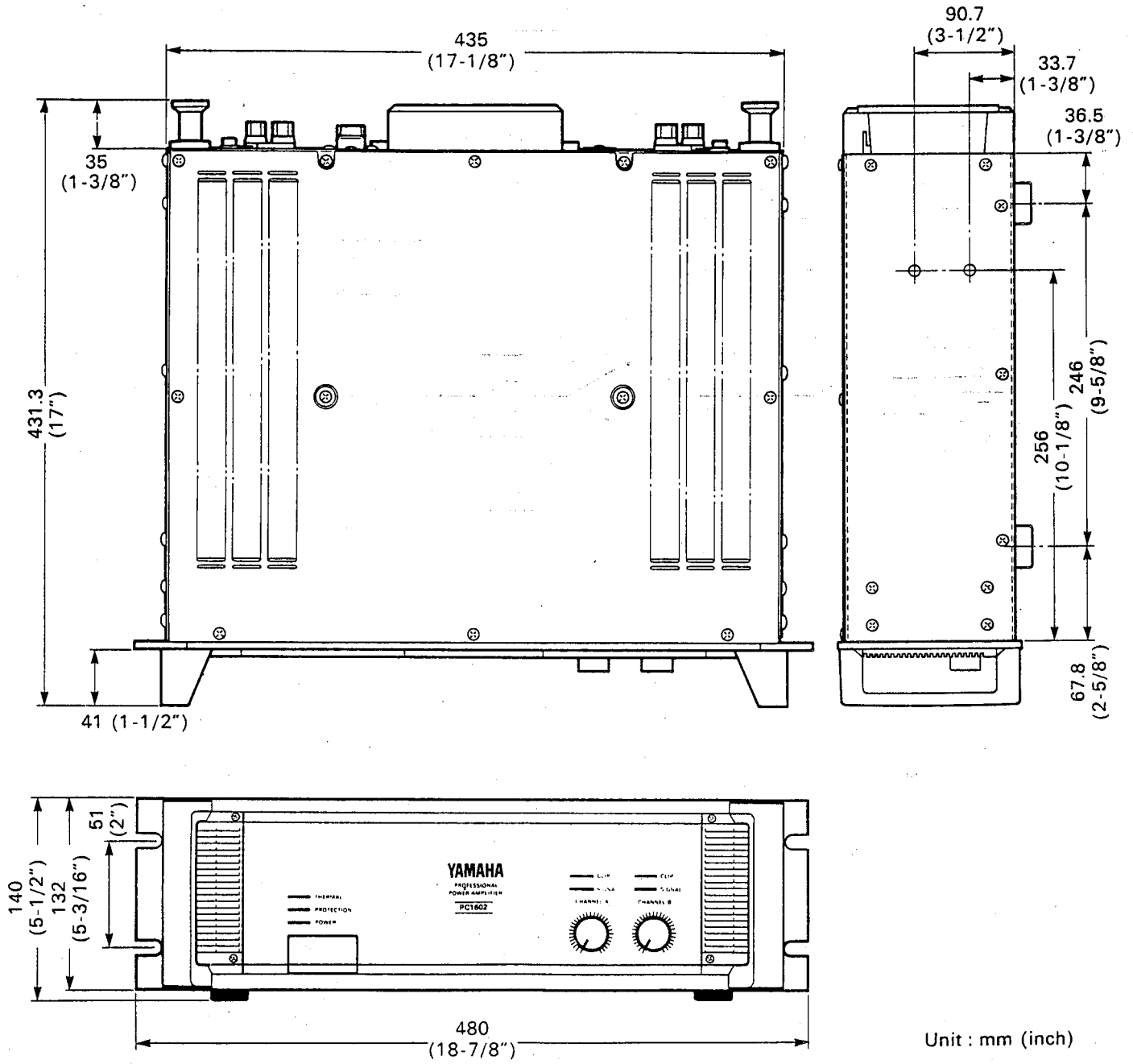
- In each photo, output waveform is upper and input waveform is lower.
- Horizontal and vertical scales in each photo are optional. But the scales in the photo of rise time are 0.5V/Div (vertical) and 1 $\mu$ sec/Div (horizontal).
- MODE STEREO LOAD 8 ohms.



■ BLOCK DIAGRAM (ブロックダイアグラム) PC1602



**DIMENSIONS (寸法図) PC1602**



Unit : mm (inch)

PC1602  
PC2602/PC2602M

## ■ SPECIFICATIONS (PC2602, PC2602M)

### POWER OUTPUT LEVEL

Continuous average sine wave power with less than 0.05% THD. 20 Hz to 20 kHz.

Stereo, 8 ohms ..... 260 W + 260 W  
 Stereo, 4 ohms ..... 400 W + 400 W  
 Mono, 8 ohms ..... 800 W

### FREQUENCY RESPONSE

10 Hz to 50 kHz, 8 ohms, 1 W .....  $0 \pm 1$  dB

### TOTAL HARMONIC DISTORTION

Stereo 8 ohms, 130 W  
 20 Hz to 20kHz ..... Less than 0.007%  
 Stereo 4 ohms 200 W  
 20 Hz to 20 kHz ..... Less than 0.015%  
 Mono 8 ohms 400 W  
 20 Hz to 20 kHz ..... Less than 0.015%

### INTERMODULATION DISTORTION

250 Hz 12.5 kHz mixed 4 : 1  
 Stereo 8 ohms, 130 W ..... Less than 0.005%  
 Mono 8 ohms, 400 W ..... Less than 0.007%

### INPUT SENSITIVITY

Input level which produces 260 W output into 8 ohms  
 ..... +4 dB (1.23 V rms)

### INPUT IMPEDANCE

Balanced and unbalanced inputs maximum attenuator setting ..... 15 kohms

### DAMPING FACTOR

$f=1$  kHz,  $RL=8 \Omega$  ..... Greater than 250

### S/N RATIO

Input shorted @ 12.7 kHz ..... 107 dB  
 Input shorted @ IHF-A ..... 110 dB

### SLEW RATE

Stereo 8 ohms .....  $\pm 55$  V/ $\mu$ sec Full Swing  
 Mono 16 ohms .....  $\pm 110$  V/ $\mu$ sec Full Swing

### CHANNEL SEPARATION

8 ohms 130 W  
 20 Hz to 20 kHz ..... 85 dB

### INDICATORS

PILOT ..... RED LED  
 Protection (Muting ON) ..... RED LED  
 Thermal ..... RED LED  
 Clipping (1% THD) ..... RED LED  
 Peak Power Meters  
 (PC2602M only) ..... Illuminated LCD 26 segments  
 Signal ..... GREEN LED (PC2602 only)

### FRONT PANEL CONTROLS

Power switch ..... Push-ON/Push-OFF  
 Input attenuators (one per channel) ..... 31 positions

### REAR PANEL CONTROLS

Mode switch ..... STEREO/MONO  
 Pin 1 GND switch ..... ON/OFF  
 Voltage selector switch (general model only)

### PROTECTION CIRCUITS

Muting .....  $6 \pm 2$  seconds after power turned ON  
 DC sense ..... DC  $\pm 2$  V output voltage  
 Ultra-low frequency ..... 20 V p-p  $f=1$  Hz  
 (Po=6.2 W, RL=8 ohms)  
 Thermal .....  $\geq 85^\circ\text{C}$  heat sink temp.  
 PC limiter .....  $RL \leq 1.0 \Omega$

### COOLING FAN CIRCUIT

Fan ON/OFF ... TH  $\geq 60^\circ\text{C}$  ON (TH; heat sink temp.)  
 TH  $\leq 45^\circ\text{C}$  OFF

### POWER REQUIREMENTS

U.S. & CANADIAN models ..... AC 120 V, 60 Hz  
 GENERAL model ..... AC220/240 V, 50/60 Hz

### POWER CONSUMPTION

U.S. & CANADIAN models ..... 1000 W, 1200 VA  
 GENERAL model ..... 1000 W

### DIMENSIONS

(W x D x H) ..... 480 x 431.3 x 184 mm  
 (18-7/8" x 17" x 7-1/4")

WEIGHT ..... 26 kg (57 lbs)

**NOTE:** CANADIAN models must be operated into 8 ohms in stereo mode and 16 ohms in mono mode in accordance with safety regulations.

## ■総合仕様 (PC2602, PC2602M)

### パワーアンプ部

定格出力 (STEREO)	260W + 260W	( $R_L = 8 \Omega, f = 20 \sim 20\text{kHz}, \text{T.H.D.} = 0.05\%$ )
	400W + 400W	( $R_L = 4 \Omega, f = 20 \sim 20\text{kHz}, \text{T.H.D.} = 0.05\%$ )
(BTL-MONO)	500W	( $R_L = 16\Omega, f = 20 \sim 20\text{kHz}, \text{T.H.D.} = 0.05\%$ )
	800W	( $R_L = 8 \Omega, f = 20 \sim 20\text{kHz}, \text{T.H.D.} = 0.05\%$ )
周波数特性	0dB $\pm$ 1.0dB以内	( $f = 10 \sim 50\text{kHz}, R_L = 8\Omega, P_o = 1W$ )
出力帯域特性 (STEREO)	20 ~ 50kHz	( $P_o = 130W, R_L = 8 \Omega, \text{T.H.D.} \leq 0.1\%$ )
	20 ~ 50kHz	( $P_o = 200W, R_L = 4 \Omega, \text{T.H.D.} \leq 0.1\%$ )
(BTL-MONO)	20 ~ 50kHz	( $P_o = 250W, R_L = 16\Omega, \text{T.H.D.} \leq 0.1\%$ )
	20 ~ 50kHz	( $P_o = 400W, R_L = 8 \Omega, \text{T.H.D.} \leq 0.1\%$ )
全高調波歪率 (STEREO)	$\leq 0.005\%$	( $P_o = 130W, f = 1\text{kHz}, R_L = 8\Omega$ )
	$\leq 0.007\%$	( $P_o = 130W, f = 20 \sim 20\text{kHz}, R_L = 8\Omega$ )
	$\leq 0.007\%$	( $P_o = 200W, f = 1\text{kHz}, R_L = 4\Omega$ )
	$\leq 0.015\%$	( $P_o = 200W, f = 20 \sim 20\text{kHz}, R_L = 4\Omega$ )
(BTL-MONO)	$\leq 0.006\%$	( $P_o = 250W, f = 1\text{kHz}, R_L = 16\Omega$ )
	$\leq 0.01\%$	( $P_o = 250W, f = 20 \sim 20\text{kHz}, R_L = 16\Omega$ )
	$\leq 0.007\%$	( $P_o = 400W, f = 1\text{kHz}, R_L = 8\Omega$ )
	$\leq 0.015\%$	( $P_o = 400W, f = 20 \sim 20\text{kHz}, R_L = 8\Omega$ )
混変調歪率 (STEREO)	$\leq 0.005\%$	( $P_o = 130W, 250\text{Hz} : 12.5\text{kHz} = 4:1, R_L = 8 \Omega$ )
	$\leq 0.007\%$	( $P_o = 200W, 250\text{Hz} : 12.5\text{kHz} = 4:1, R_L = 4 \Omega$ )
(BTL-MONO)	$\leq 0.005\%$	( $P_o = 250W, 250\text{Hz} : 12.5\text{kHz} = 4:1, R_L = 16\Omega$ )
	$\leq 0.007\%$	( $P_o = 400W, 250\text{Hz} : 12.5\text{kHz} = 4:1, R_L = 8 \Omega$ )
チャンネルセパレーション	$\geq 85\text{dB}$	( $f = 20 \sim 20\text{kHz}, R_L = 8\Omega, P_o = 130W$ ) (ATT.Max. input 600 $\Omega$ shunt)
S/N比	$\geq 107\text{dB}$	(INPUT 600 $\Omega$ Shunt, @ $f_c = 12.7\text{kHz}$ 6dB/oct.LPF)
	$\geq 110\text{dB}$	(INPUT 600 $\Omega$ Shunt, @ IHF-A Network)
ダンピングファクター	$\geq 250$	( $R_L = 8\Omega, f = 1\text{kHz}$ )
残留ノイズ	$\leq -81\text{dBm}$	(ATT.min., @ $f_c = 12.7\text{kHz}$ 6dB/oct.LPF)
	$\leq -85\text{dBm}$	(ATT.min., @ IHF-A Network)
スルーレイト	$\pm 55\text{V}/\mu\text{S}$	(STEREO, $R_L = 8\Omega$ Full Swing)
	$\pm 110\text{V}/\mu\text{S}$	(BTL-MONO, $R_L = 16\Omega$ Full Swing)
ライズタイム	2.7 $\mu\text{S}$	( $R_L = 8\Omega, P_o = 1W$ )
入力感度	+4dBm	( $P_o = 260W, R_L = 8\Omega, \text{ATT.Max. } f = 1\text{kHz}$ )
電圧利得	31.4dB	(ATT.Max. $f = 1\text{kHz}$ )
入力インピーダンス	$\geq 15\text{k}\Omega$	(Balance, Unbalance ATT.Max.)

### インジケータ回路部

パワー インジケータ	赤色 LED	(通電時)
プロテクション インジケータ	赤色 LED	(保護回路作動時及びミュート中)
サマール インジケータ	赤色 LED	(Fan ON で点灯 (60 $^{\circ}\text{C}$ ))
クリップ インジケータ	赤色 LED	(THD $\geq 1\%$ で点灯)
出カメータ	LCD バーグラフ	(26列デジタルピークメータ / 8 $\Omega$ 対数圧縮)
(PC2602M)		
シグナル インジケータ	緑色 LED	( $f = 20 \sim 20\text{kHz}, V_o \geq 2\text{V}$ にて点灯 (1W/4 $\Omega$ ))
(PC2602)		

### コントロール部

フロントパネル	POWER SW	
	INPUT ATT.	(31ポジション/0 ~ -20dB 1dBステップ, -20 ~ -30dB 2dBステップ, -33, -40, -50, -55, - $\infty$ [dB] BTL-Mono時 Ach.のみ作動)
リアパネル	MODE SW	(STEREO/MONO (BTL-MONO))
	PIN-1 GND SW	(PIN-1 GND ON/OFF)

### 電源電圧及び消費電力

電源電圧定格	AC100V, 50/60Hz
消費電力	500W

### 外型寸法及び重量

外型寸法	480 $\times$ 431.3 $\times$ 184mm
重量	26.0kg

■ **PANEL LAYOUT** (パネルレイアウト) PC2602, PC2602M

● **Front Panel** (フロントパネル)

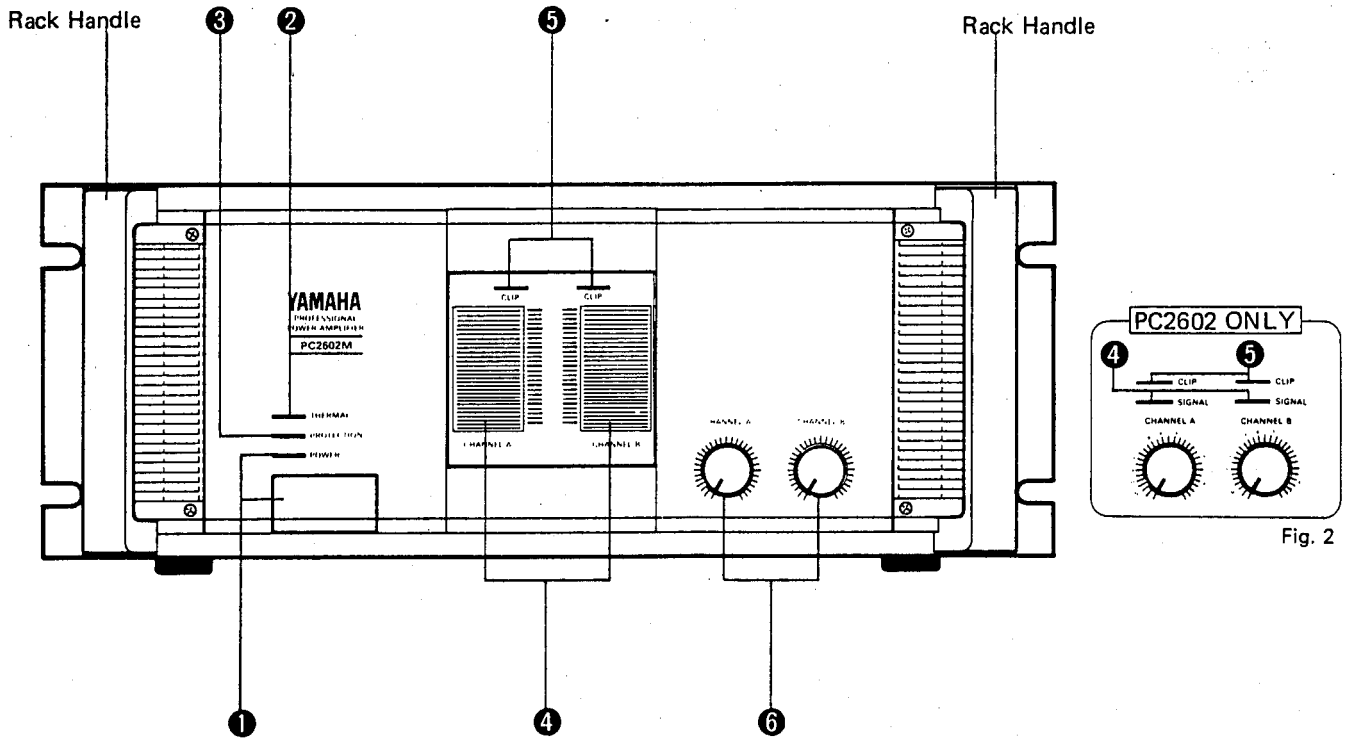
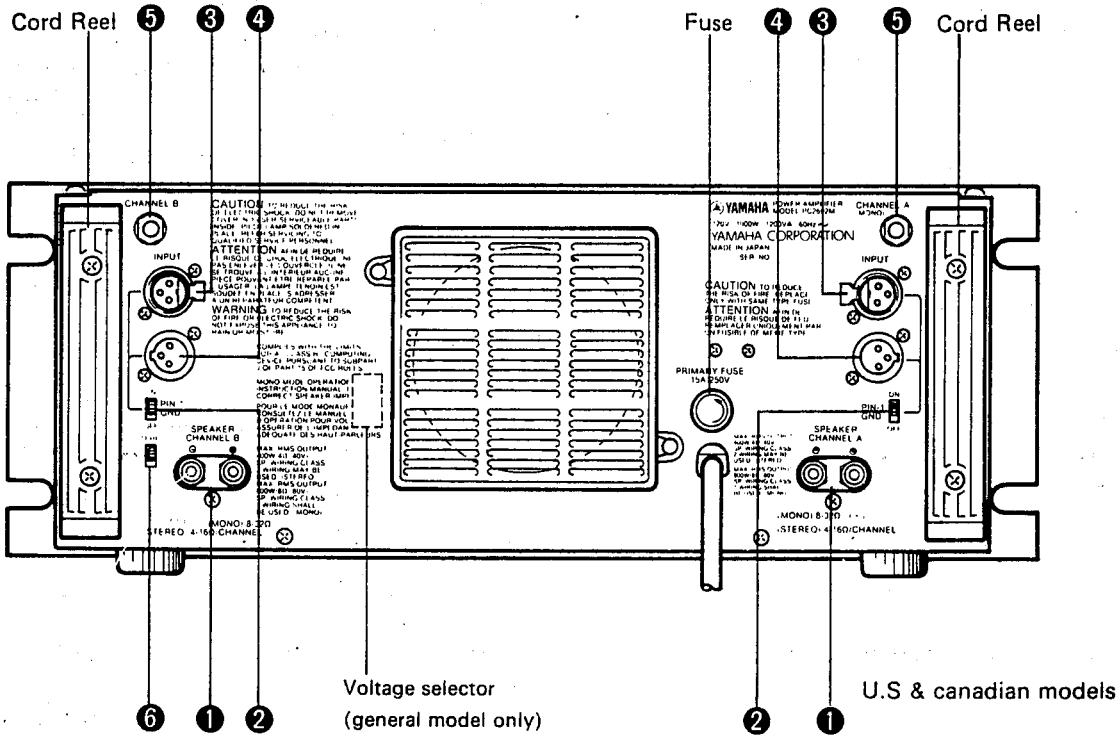


Fig. 2

- |  |   |
|--|---|
| ① POWER Switch/POWER Indicator (Red)                   | ④ SIGNAL Indicators (Green) (PC2602 ONLY) |
| ② THERMAL Indicator (Red)                              | ⑤ CLIP Indicators                         |
| ③ PROTECTION Indicator (Red)                           | ⑥ Input Attenuators                       |
| ④ Bargraph Type Peak Power Level Meters (PC2602M ONLY) |   |

● Rear Panel (リアパネル)



① SPEAKER Output Terminals

② PIN 1 GND SW

③ INPUT Connectors (XLR-3-31)

④ INPUT Connectors (XRL-3-32)

⑤ Phone Jacks

⑥ MODE Selector Switch

**PERFORMANCE GRAPHS (特性図) PC2602, PC2602M**

**FREQUENCY RESPONSE**

LOAD : 8 ohms  
 Po = 1 W at 1kHz  
 MODE : STEREO  
 Input balanced

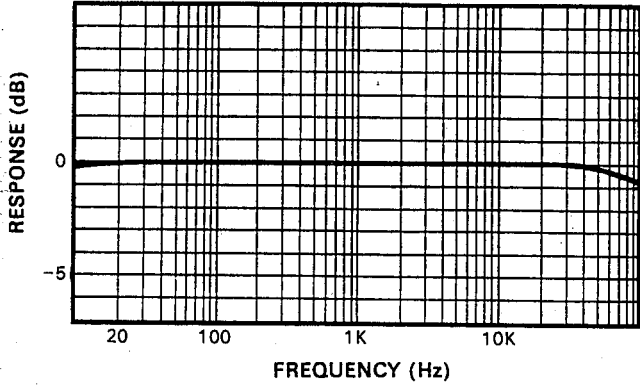


Fig. 3

**POWER BAND WIDTH**

THD : 0.05%  
 LOAD : 8 ohms  
 MODE : STEREO  
 Both channels driven

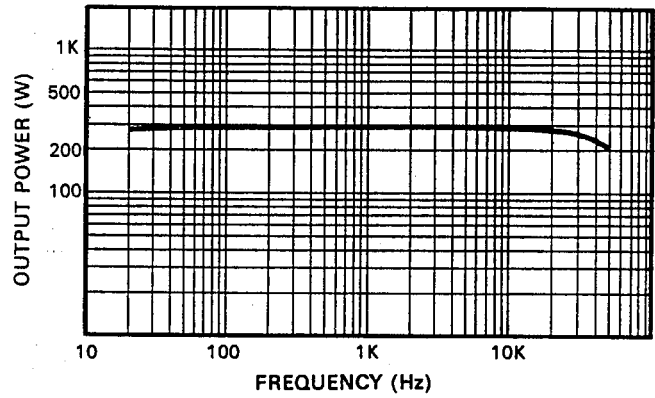


Fig. 6

**T.H. DISTORTION**

LOAD : 16 ohms  
 MODE : MONO  
 Unbalanced input

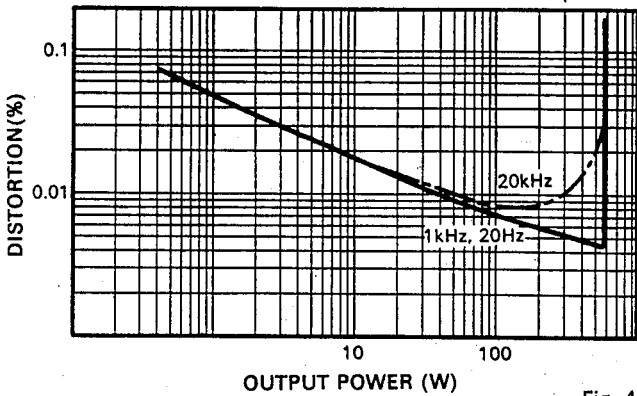


Fig. 4

**DAMPING FACTOR**

LOAD : 8 ohms  
 MODE : STEREO

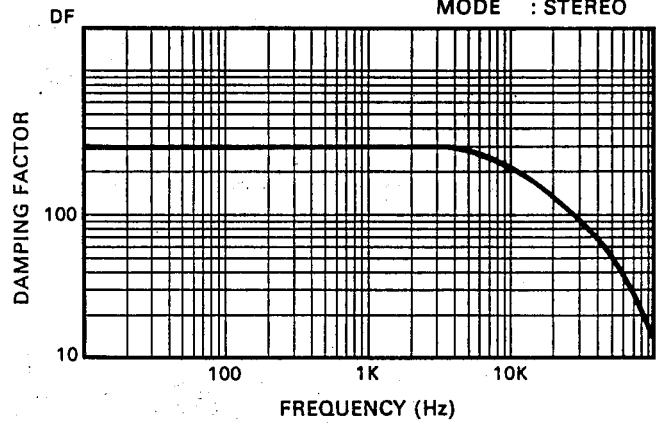


Fig. 7

**4. DISTORTION**

LOAD : 8 ohms  
 MODE : STEREO  
 Both channels driven

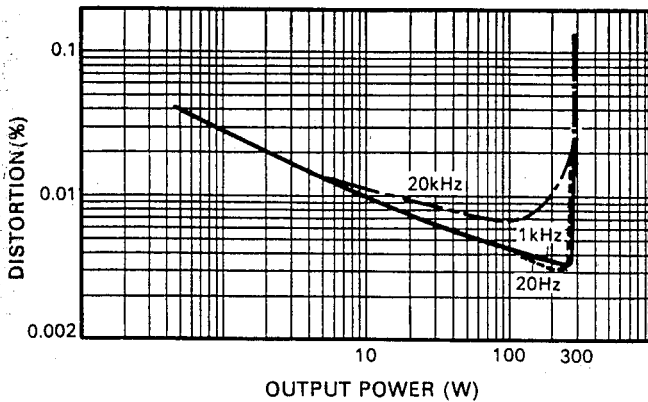


Fig. 5

20Hz SQUARE-WAVE RESPONSE

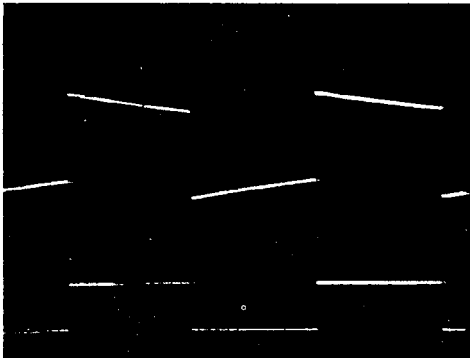
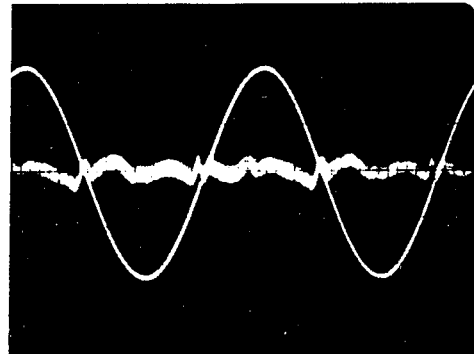


Fig. 8

TOTAL HARMONIC DISTORTION WITH A 20kHz SINE WAVE



LOAD : 8  $\Omega$   
MODE: STEREO  
Po = 130 W  
Fig. 12

1kHz SQUARE-WAVE RESPONSE

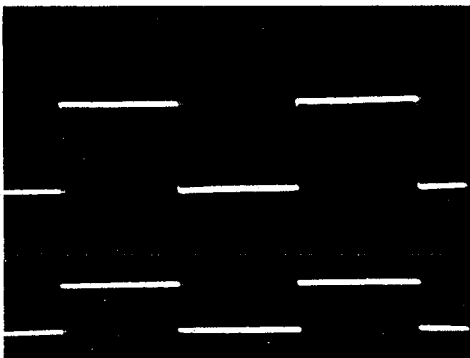


Fig. 9

SLEW RATE

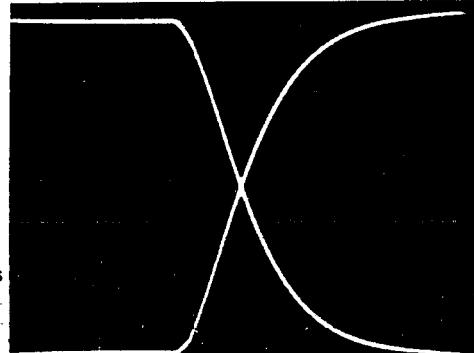


Fig. 13

20kHz SQUARE-WAVE RESPONSE

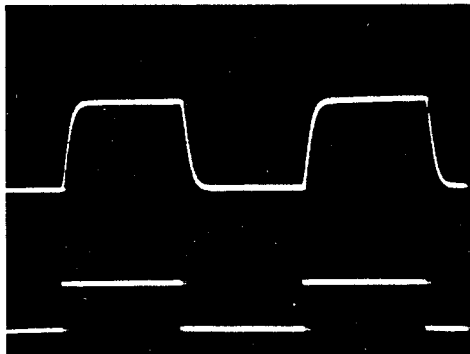


Fig. 10

RISE TIME

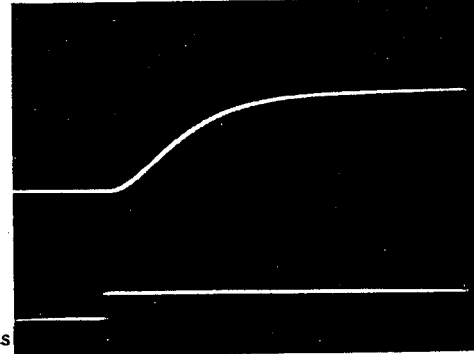


Fig. 14

TOTAL HARMONIC DISTORTION WITH A 1kHz SINE WAVE

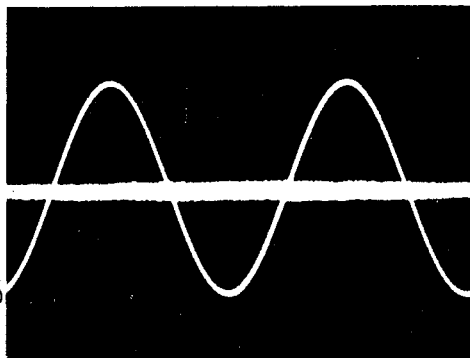


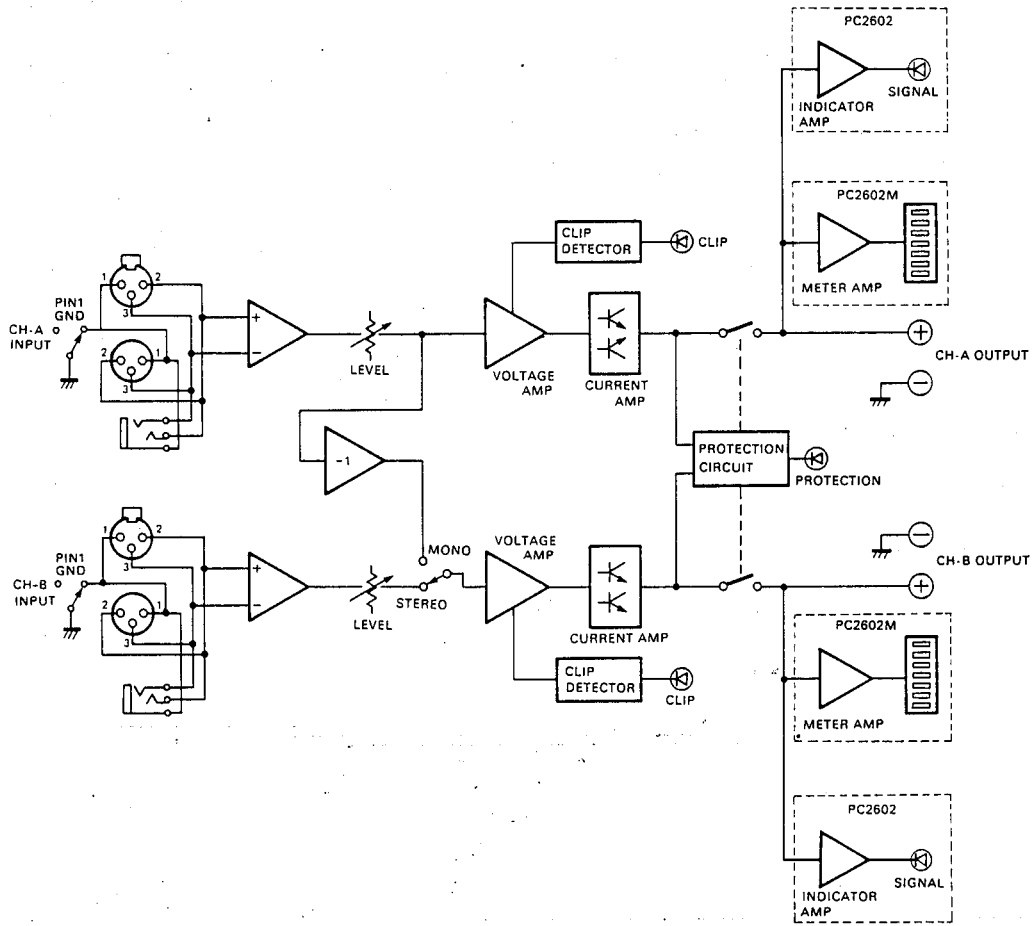
Fig. 11

LOAD : 8  $\Omega$   
MODE: STEREO  
Po = 130 W

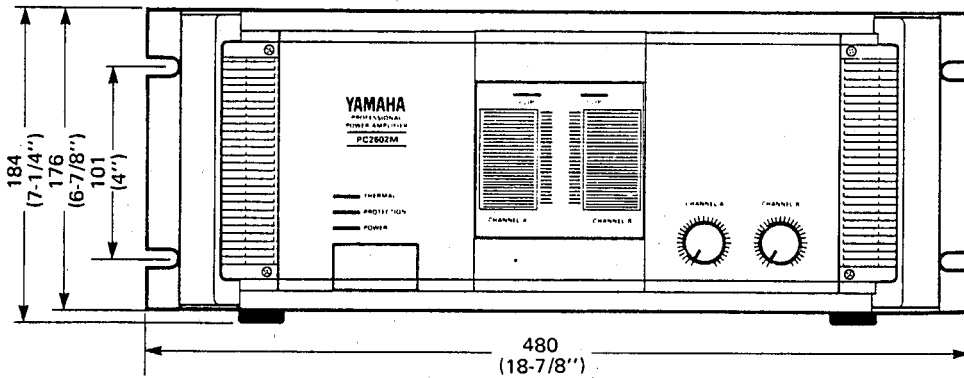
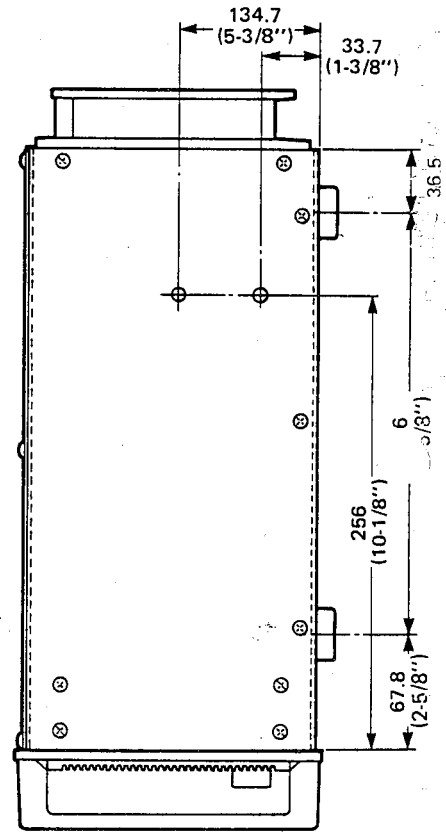
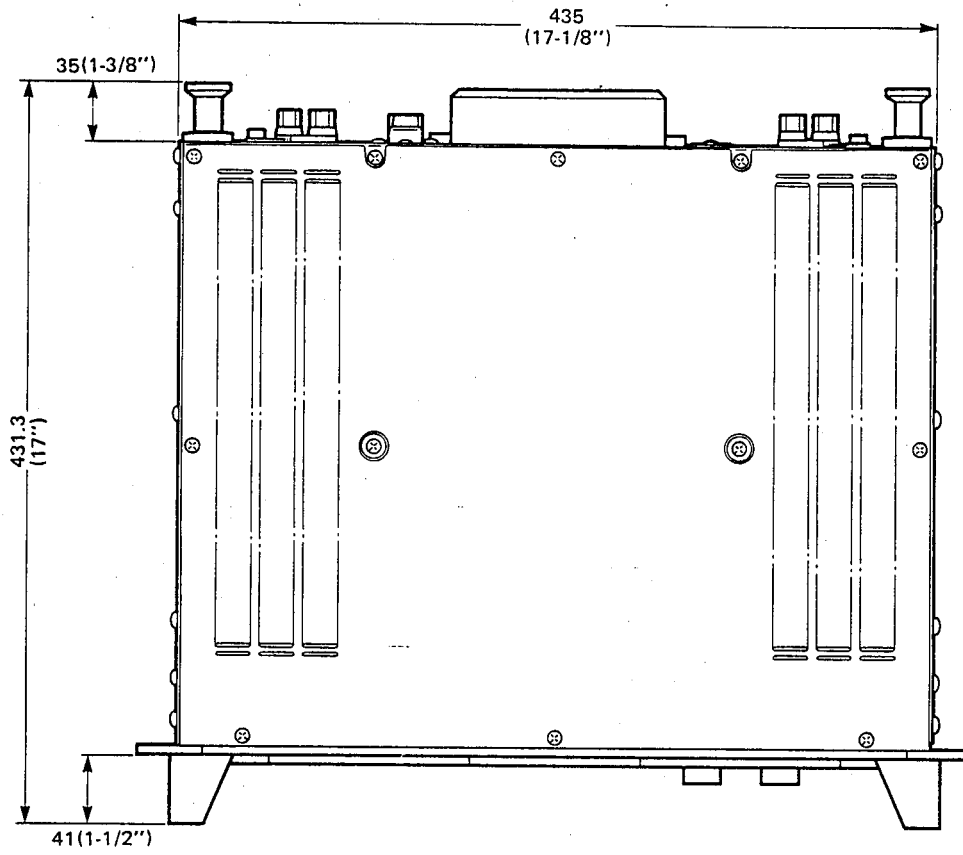
- In each photo, output waveform is upper and input waveform is lower.
- Horizontal and vertical scales in each photo are optional. But the scales in the photo of rise time are 0.5V/Div (vertical) and 1 $\mu$ sec/Div (horizontal).
- MODE STEREO LOAD 8 ohms.



■ BLOCK DIAGRAM (ブロックダイアグラム) PC2602, PC2602M

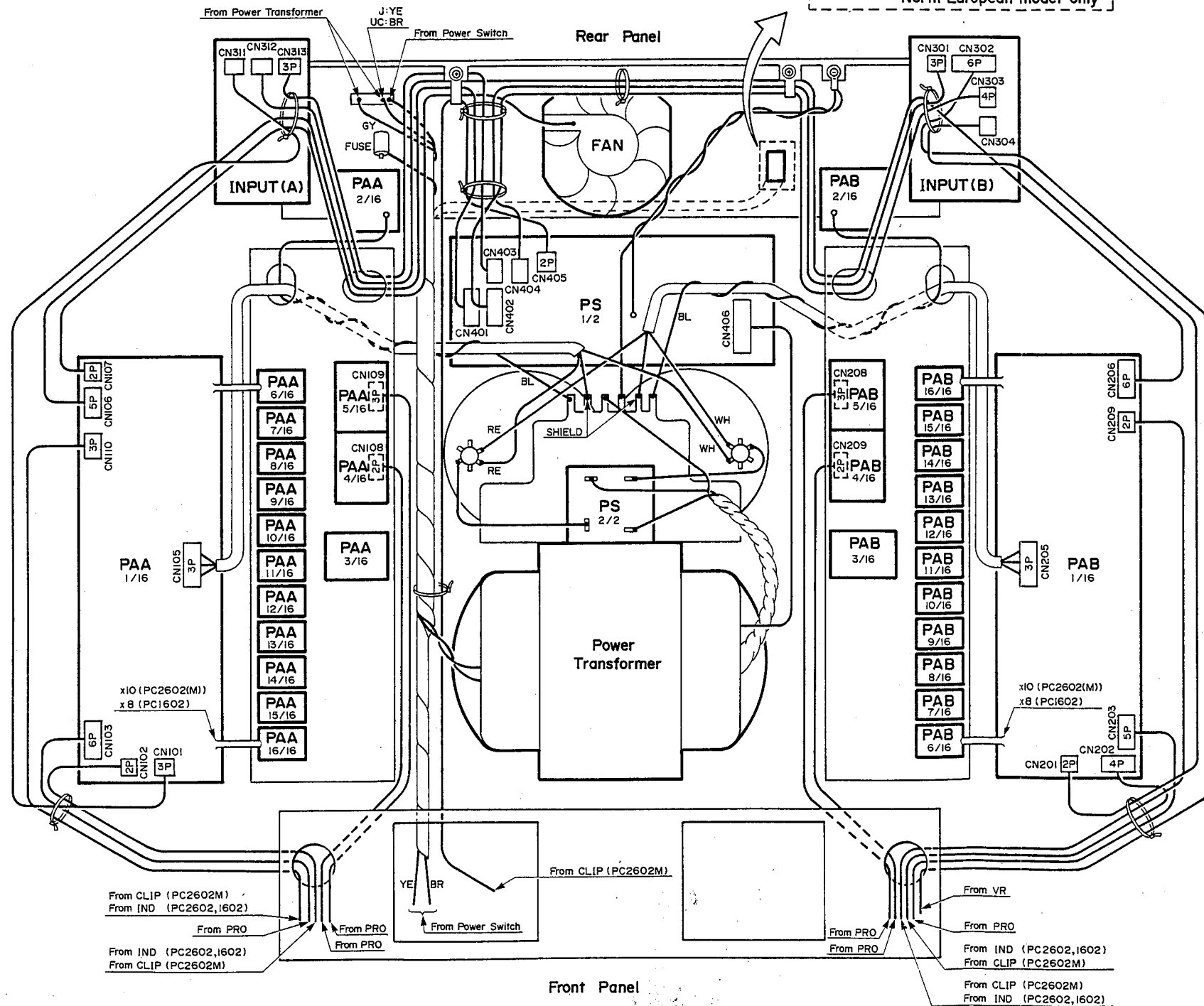
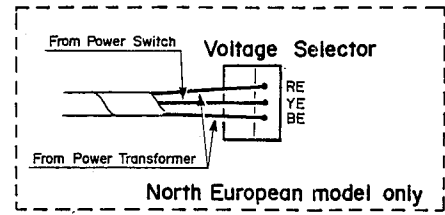


■ DIMENSIONS (寸法図) PC2602, PC2602M



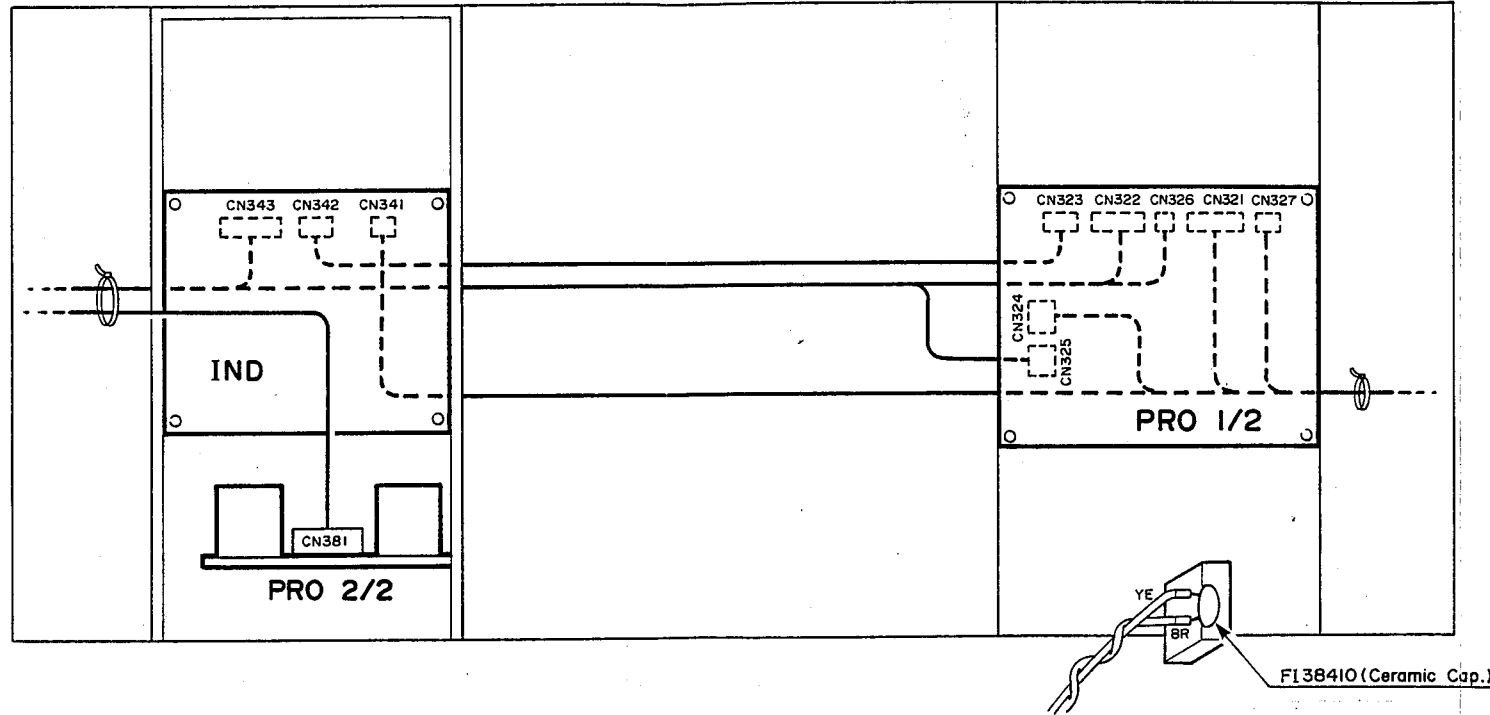
Unit: mm (inch)

■CIRCUIT BOARD LAYOUT & WIRING (ユニットレイアウト&結線図)



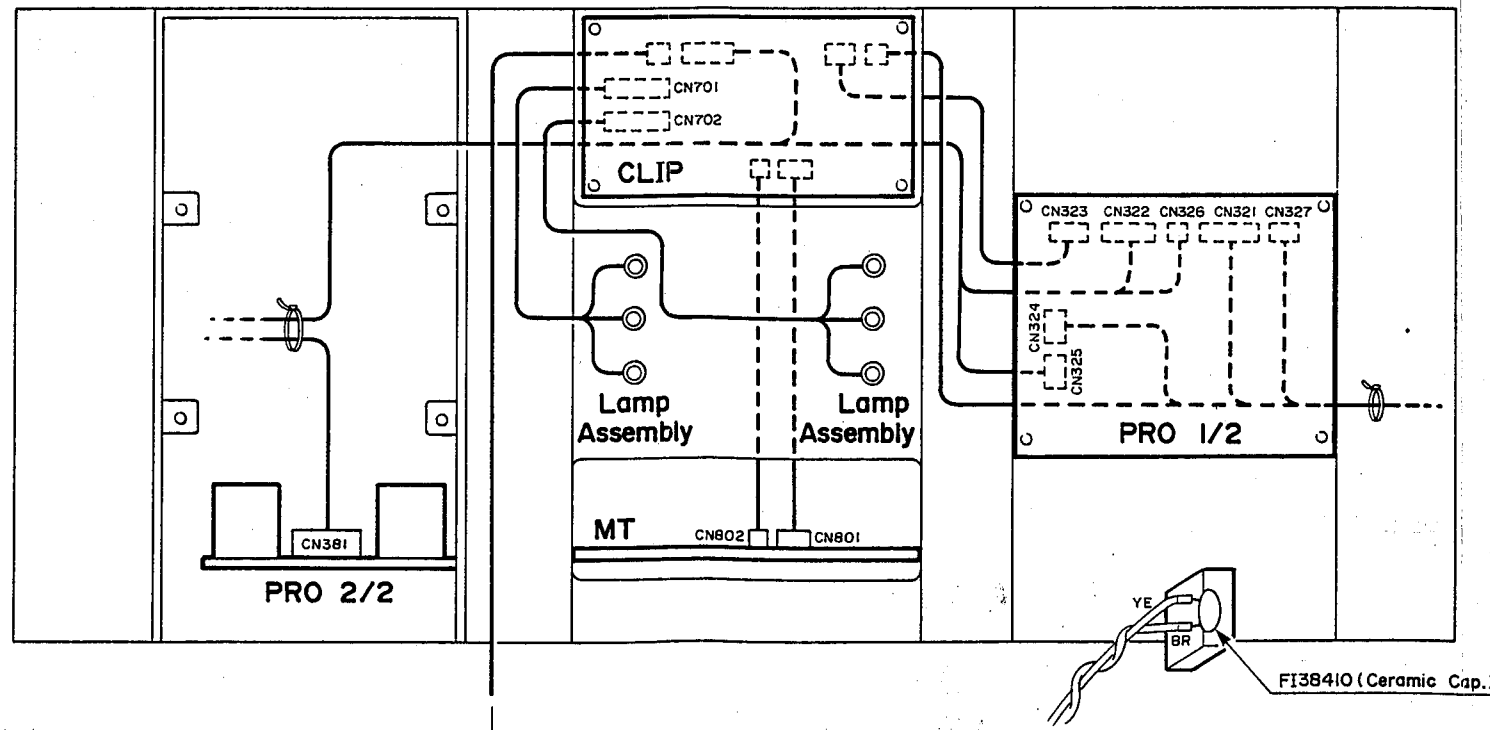
PC1602  
PC2602/PC2602M

● Front Panel Assembly (PC2602, PC1602)



<Rear view of the front panel>

● Front Panel Assembly (PC2602M)

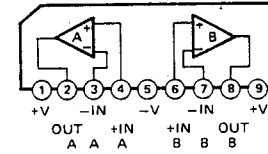


<Rear view of the front panel>

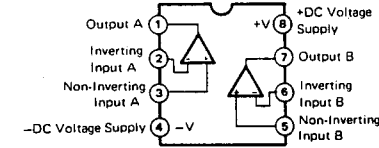
to PS Circuit Board

■ IC BLOCK DIAGRAM (ICブロック図)

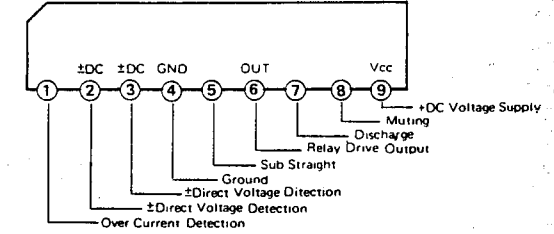
- NJM4558S (IG076800)  
● μPC4570HA (XB247001)  
Dual Operational Amplifier



- NE5532P (IG102500)  
Dual Operational Amplifier

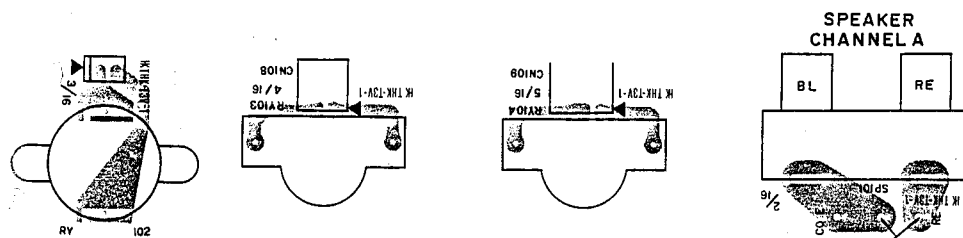
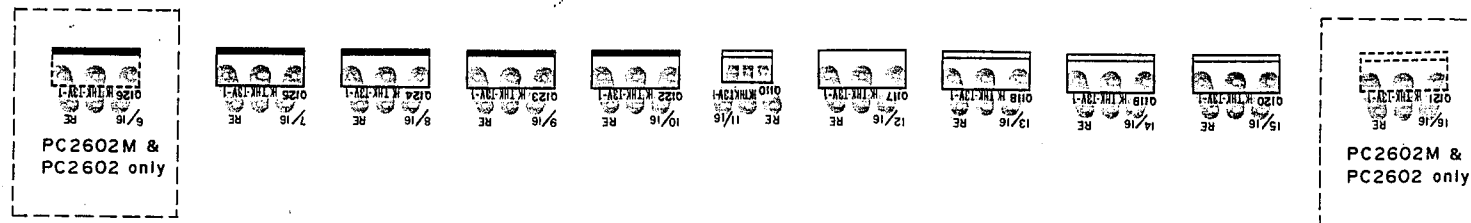
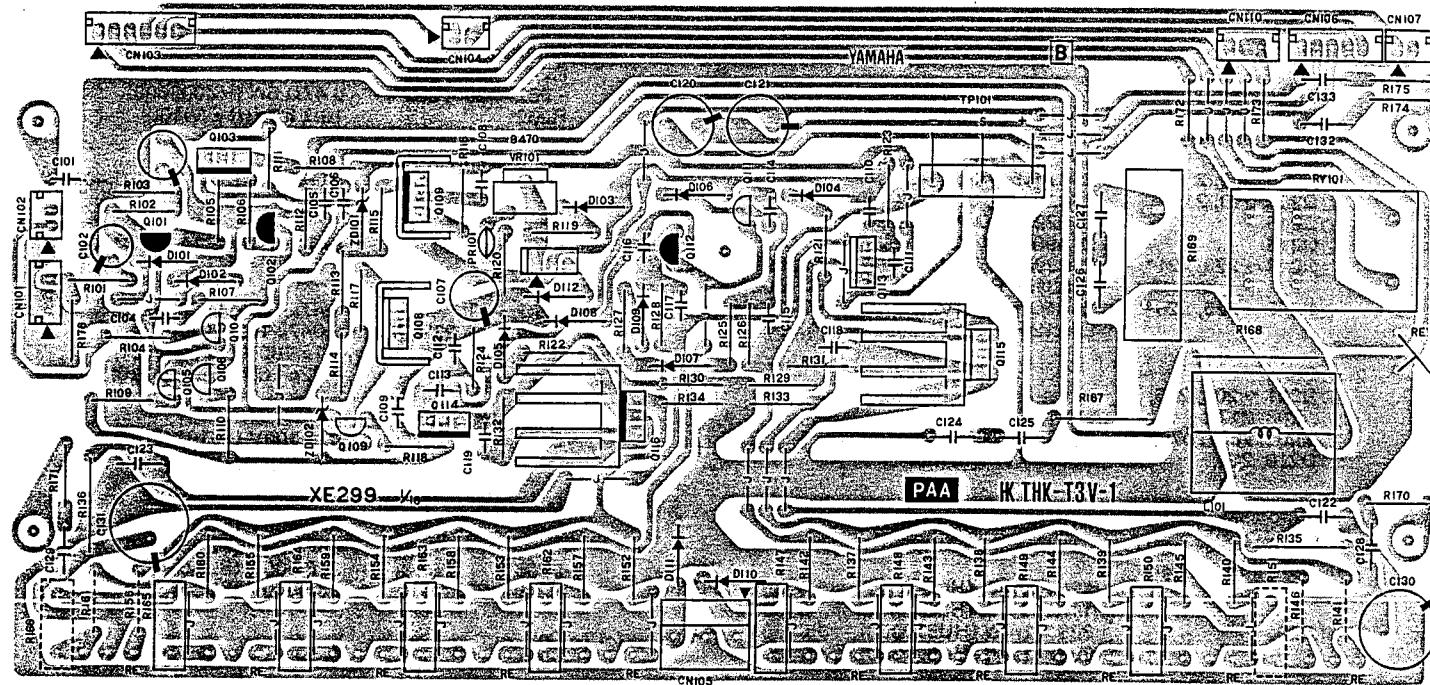


- TA7317P (IG034800)  
Relay Driver



■ CIRCUIT BOARDS (シート基板図)

● PAA Circuit Boards (PC1602, PC2602, PC2602M)



Components side (部品側)

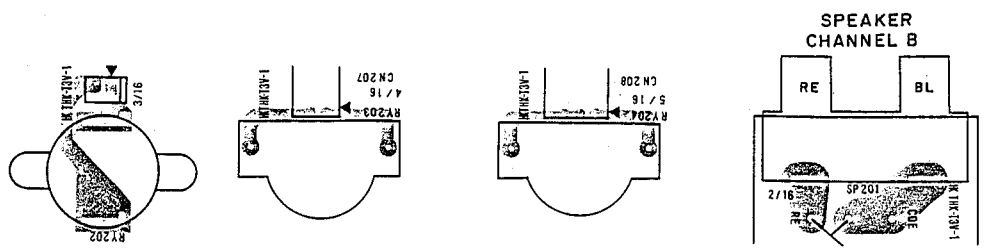
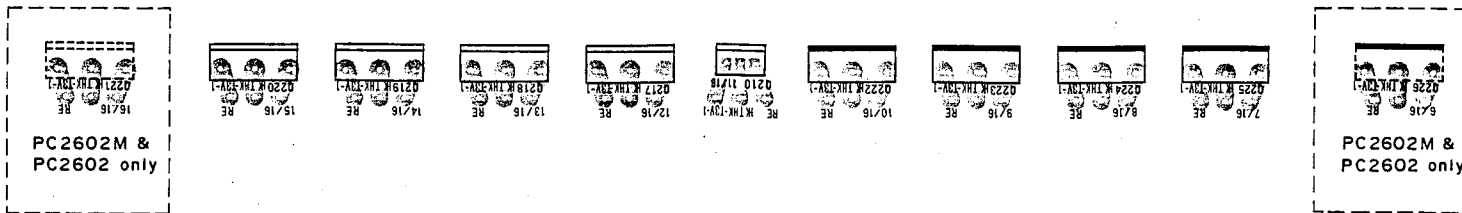
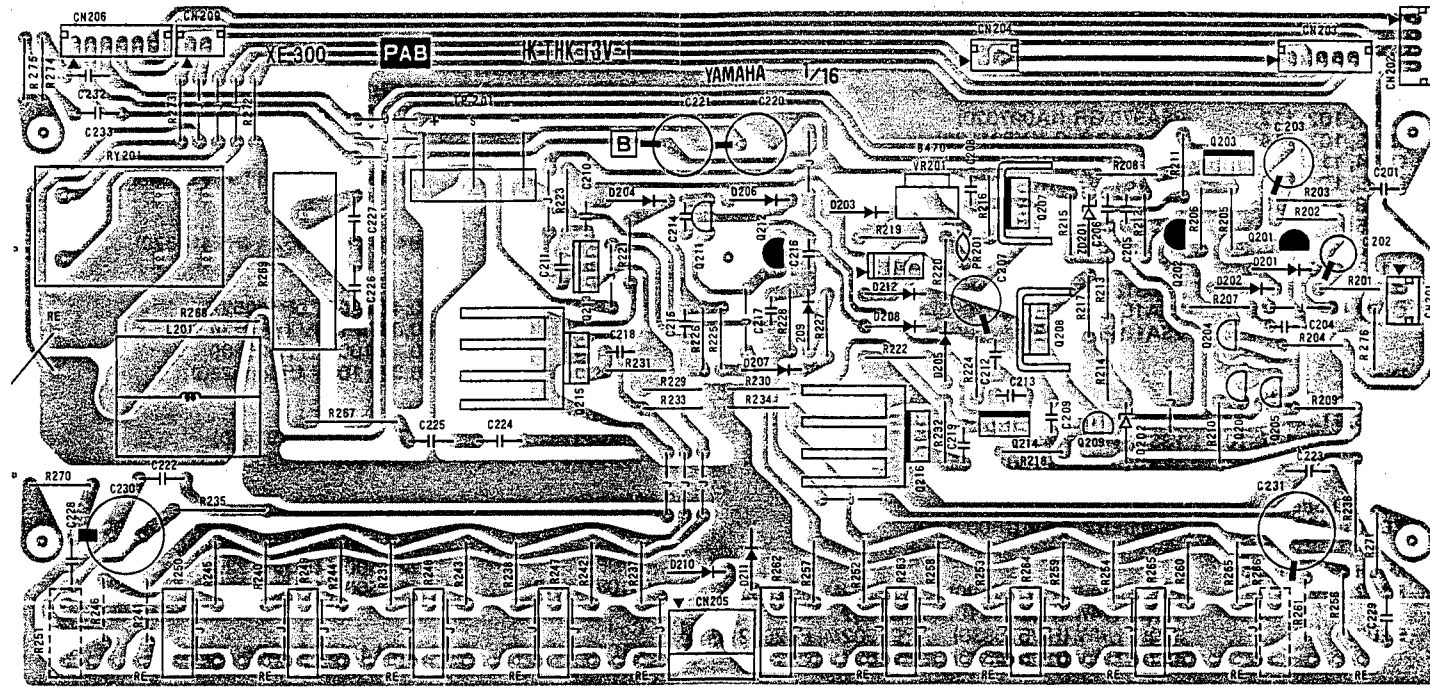
Notes)

Circuit Board: XE299C0

1. Transistor
  - Q101, 102, 112: 2SA970 GR (IA097020)
  - Q103, 107, 114: 2SA1142 P, Q (IX801630)
  - Q104, 111: 2SC2240 GR (IC224020)
  - Q105, 106, 109: 2SC1815 GR (IC181530)
  - Q108, 110, 113: 2SC2682 P, Q (IX801640)
  - Q115: 2SC2238B O, Y (IC223840)
  - Q116: 2SA968B O, Y (IA096840)
  - Q117 ~ 120, 121\*: 2SC3907 R, O (IX801660) PC2602M, PC2602
  - Q122 ~ 125, 126\*: 2SA1516 R, O (IX801650) PC2602M, PC2602
  - 2SA1265 R, O (IX803000) PC1602
2. Diode
  - D101 ~ 103, 106, 108, 112: 1SS176 (VA240700)
  - D104, 105, 107, 109: 1SS82 (IF001400)
  - D110, 111: 3LZ61 (VC212700)
3. Zener Diode
  - ZD101, 102: RD5.6EB2 5.6V (IF002140)
4. Metal Film Resistor
  - R102, 112: 12K $\Omega$  1/4W (HU577120) PC2602M, PC2602
  - 11K $\Omega$  1/4W (HU577110) PC1602
  - R103: 330 $\Omega$  1/4W (HU575330) PC2602M, PC2602
  - 390 $\Omega$  1/4W (HU575390) PC1602
5. Metal Oxide Film Resistor
  - R135, 136: 10 $\Omega$  1W (HL314100)
  - R167: 22 $\Omega$  1W (HL314220)
  - R168: 4.7 $\Omega$  2W (HL323470)
6. Flame Proof C. Resistor
  - R121, 122, 137 ~ 140, 141\*, 152 ~ 155, 156\*: 4.7 $\Omega$  1/4W (HV353470)
  - R123, 124: 220 $\Omega$  1/4W (HV455220) PC2602M, PC2602
  - 270 $\Omega$  1/4W (HV355270) PC1602
  - R126, 128: 3.9K $\Omega$  1/4W (HV456390) PC2602M, PC2602
  - 2.7K $\Omega$  1/4W (HV456270) PC1602
  - R129, 130: 270 $\Omega$  1/4W (HV355270) PC2602M, PC2602
  - 390 $\Omega$  1/4W (HV455390) PC1602
  - R131: 330 $\Omega$  1/4W (HV455330) PC2602M, PC2602
  - 220 $\Omega$  1/4W (HV455220) PC1602
  - R132: 33 $\Omega$  1/4W (HV454330) PC2602M, PC2602
  - 100 $\Omega$  1/4W (HV455100) PC1602
  - R133, 134: 33 $\Omega$  1/4W (HV454330) PC2602M, PC2602
  - 120 $\Omega$  1/4W (HV355120) PC1602
  - R142 ~ 145, 146\*, 157 ~ 160, 161\*: 100 $\Omega$  1/4W (HV455100)
  - R170, 171, 174, 175: 2.2 $\Omega$  1/4W (HV353220)
7. Wire Wound Resistor
  - R147 ~ 150, 151\*, 162 ~ 165, 166\*: 0.47 $\Omega$  5W (HZ003600)
  - R169: 10 $\Omega$  5W (HM654100)
8. Positive Thermistor
  - PR101: PTH59F04BE471TS (VE404900)
9. Trimmer Pot.
  - VR101: B470 3P H1052A (HT410370)
10. Mylar Cap.
  - C122, 123: 0.47 $\mu$  100V (FZ005220)
  - C124, 125, 132, 133: 0.047 $\mu$  100V (FC023470)
  - C126, 127: 0.1 $\mu$  100V (FZ005200)
  - C128, 129: 0.22 $\mu$  100V (FZ005210)
11. Electrolytic Cap.
  - C120, 121: 47 $\mu$  100V (FJ197470)
  - C130, 131: 100 $\mu$  100V (FJ298100)
12. Mica Cap.
  - C105: 47P 500V (FU351470) PC2602M, PC2602
  - 68P 500V (FU351680) PC1602
  - C106\*: 22P 500V (FU351220)
  - C108#, 109#: 33P 500V (FU351330)
13. Coil
  - L101: 2mH 19 x 24 (GD900580)
14. Thermostat Switch
  - RY102: 1NT01F0459F6015 (KA907000)
15. Thermal Reed Switch
  - RY103: OHD-80B (VE946100)
  - RY104: OHD-85B (KA000220)
16. Relay
  - RY101: JC2AD-DC24V (KC001410)
17. Speaker Terminal
  - SP101: 2P #552 (LA005520) J, H
  - 2P #553 (LA005530) U, C

Marked \* : (PC2602M, PC2602 only)  
Marked # : (PC1602 only)

● PAB Circuit Boards (PC1602, PC2602, PC2602M)



Components side (部品側)

Notes)

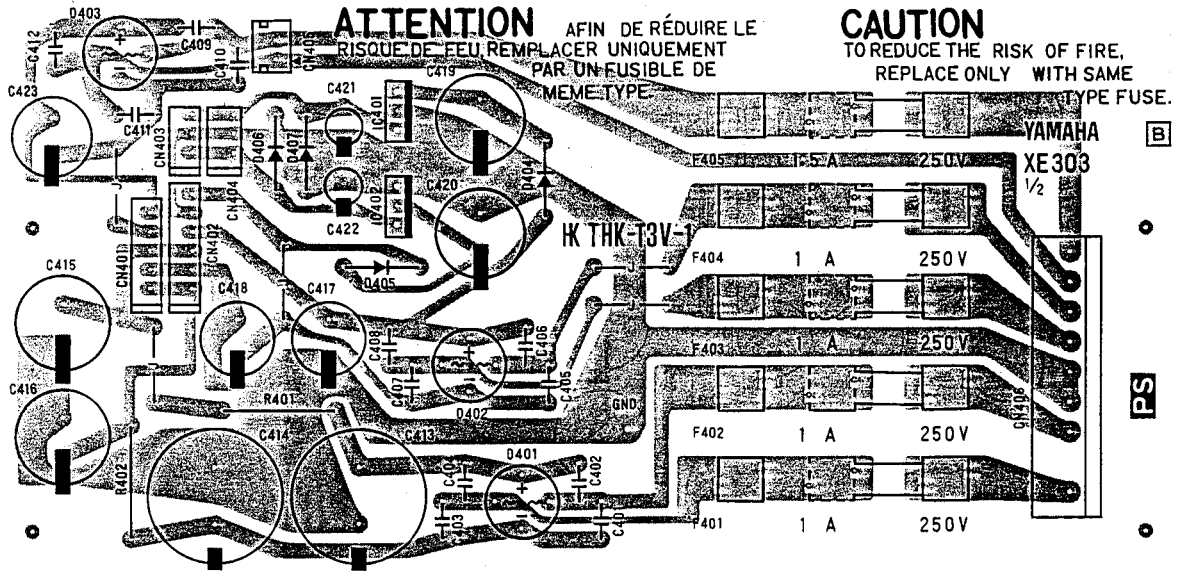
Circuit Board: XE300C0

1. Transistor
  - Q201, 202, 212: 2SA970 GR (IA097020)
  - Q203, 207, 214: 2SA1142 P, Q (IX801630)
  - Q204, 211: 2SC2240 GR (IC224020)
  - Q205, 206, 209: 2SC1815 GR (IC181530)
  - Q208, 210, 213: 2SC2682 P, Q (IX801640)
  - Q215: 2SC2238B O, Y (IC223840)
  - Q216: 2SA968B O, Y (IA096840)
  - Q217 ~ 220, 221\*: 2SC3907 R, O (IX801660) PC2602M, PC2602
  - Q222 ~ 225, 226\*: 2SA1516 R, O (IX801650) PC2602M, PC2602
  - 2SA1265 R, O (IX803000) PC1602
2. Diode
  - D201 ~ 203, 206, 208, 212: 1SS176 (VA240700)
  - D204, 205, 207, 209: 1SS82 (IF001400)
  - D210, 211: 3LZ61 (VC212700)
3. Zener Diode
  - ZD201, 202: RD5.6EB2 5.6V (IF002140)
4. Metal Film Resistor
  - R202, 212: 12K $\Omega$  1/4W (HU577120) PC2602M, PC2602
  - 11K $\Omega$  1/4W (HU577110) PC1602
  - R203: 330 $\Omega$  1/4W (HU575330) PC2602M, PC2602
  - 390 $\Omega$  1/4W (HU575390) PC1602
5. Metal Oxide Film Resistor
  - R235, 236: 10 $\Omega$  1W (HU314100)
  - R267: 22 $\Omega$  1W (HU314220)
  - R268: 4.7 $\Omega$  2W (HL323470)
6. Flame Proof C. Resistor
  - R221, 222, 237 ~ 240, 241\*, 252 ~ 255, 256\*: 4.7 $\Omega$  1/4W (HV353470) PC2602M, PC2602
  - R223, 224: 220 $\Omega$  1/4W (HV455220) PC1602
  - 270 $\Omega$  1/4W (HV355270) PC2602M, PC2602
  - R226, 228: 3.9K $\Omega$  1/4W (HV456390) PC2602M, PC2602
  - 2.7K $\Omega$  1/4W (HV456270) PC1602
  - R229, 230: 270 $\Omega$  1/4W (HV355270) PC2602M, PC2602
  - 390 $\Omega$  1/4W (HV455390) PC1602
  - R231: 330 $\Omega$  1/4W (HV455330) PC2602M, PC2602
  - 220 $\Omega$  1/4W (HV455220) PC1602
  - R232: 33 $\Omega$  1/4W (HV454330) PC2602M, PC2602
  - 100 $\Omega$  1/4W (HV455100) PC1602
  - R233, 234: 33 $\Omega$  1/4W (HV454330) PC2602M, PC2602
  - 120 $\Omega$  1/4W (HV355120) PC1602
  - R242 ~ 245, 246\*, 257 ~ 260, 261\*: 100 $\Omega$  1/4W (HV455100)
  - R270, 271, 274, 275: 2.2 $\Omega$  1/4W (HV353220)

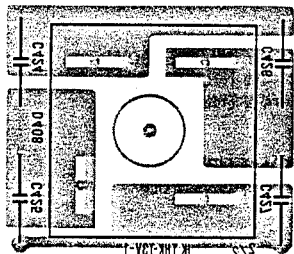
7. Wire Wound Resistor
  - R247 ~ 250, 251\*, 262 ~ 265, 266\*: 0.47 $\Omega$  5W (HZ003600)
  - R269: 10 $\Omega$  5W (HM654100)
8. Positive Thermistor
  - PR201: PTH59F04BE471TS (VE404900)
9. Trimmer Pot.
  - VR201: B470 3P H1052A (HT410370)
10. Mylar Cap.
  - C222, 223: 0.47 $\mu$  100V (FZ005220)
  - C224, 225, 232, 233: 0.047 $\mu$  100V (FC023470)
  - C226, 227: 0.1 $\mu$  100V (FZ005200)
  - C228, 229: 0.22 $\mu$  100V (FZ005210)
11. Electrolytic Cap.
  - C220, 221: 47 $\mu$  100V (FJ197470)
  - C230, 231: 100 $\mu$  100V (FJ298100)
12. Mica Cap.
  - C205: 47P 500V (FU351470) PC2602M, PC2602
  - 68P 500V (FU351680) PC1602
  - C206\*: 22P 500V (FU351220)
  - C208#, 209#: 33P 500V (FU351330)
13. Coil
  - L201: 2mH 19 x 24 (GD900580)
14. Thermostat Switch
  - RY202: 1NT01F0459F6015 (KA907000)
15. Thermal Reed Switch
  - RY203: OHD-80B (VE946100)
  - RY204: OHD-85B (KA000220)
16. Relay
  - RY201: JC2AD-DC24V (KC001410)
17. Speaker Terminal
  - SP201: 2P #551 (LA005510) J, H
  - 2P #554 (LA005540) U, C

Marked \* : (PC2602M, PC2602 only)  
Marked # : (PC1602 only)

● PS Circuit Boards (PC1602, PC2602, PC2602M)



Components side (部品側)



Pattern side (パターン側)

Notes)

Circuit Board: XE303B0

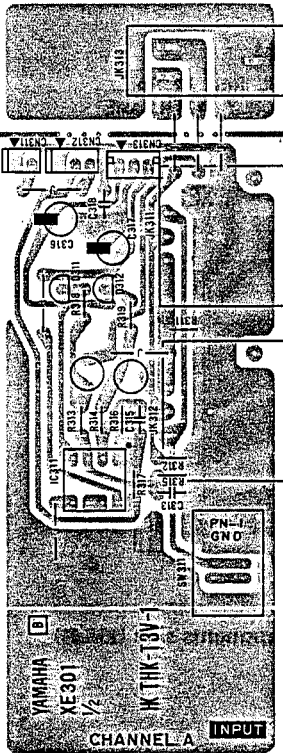
1. IC  
IC401:  $\mu$ PC7815H (IG063900) 15V 1A  
IC402:  $\mu$ PC7915H (IG077500) -15V 1A
2. Diode  
D404 ~ 407: 10D1 (IH000030)
3. Diode Stack  
D401 ~ 403: 1G4B1 1.5A 400V (IH001400)  
D408: KBPC25-04 (IH000390)
4. Metal Oxide Film Resistor  
R401, 402: 100 $\Omega$  1W (HL315100)
5. Ceramic Cap.  
C401 ~ 412: 0.0047 $\mu$  500V (FH223470)
6. Mylar Cap.  
C424 ~ 427: 0.01 $\mu$  630V (FZ000650)
7. Electrolytic Cap.  
C413, 414: 470 $\mu$  100V (FJ298470)  
C415, 416: 100 $\mu$  100V (FJ298100)

● FUSE

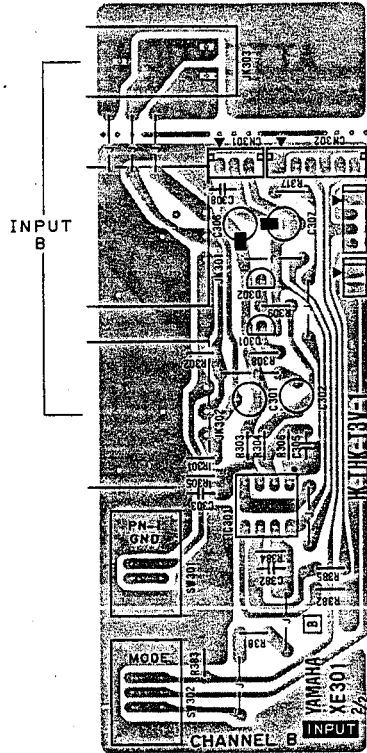
Market	F401 ~ 404	F405
Japanese	1A 250V	1.5A 250V
U.S. & Canadian	ST4 1A 250V	ST4 1.5A 250V
North European	T1A 250V	T1.6A 250V

PC1602  
PC2602/PC2602M

● INPUT Circuit Boards (PC2602, PC2602M)



Components side (部品側)

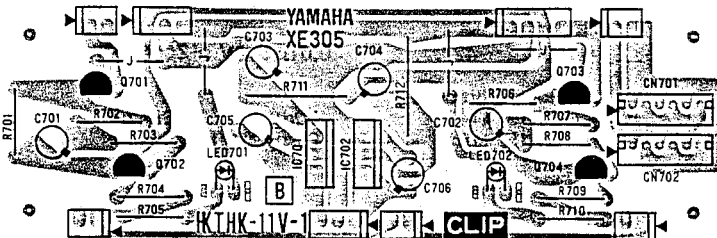


Components side (部品側)

Notes)

- |                        |                            |                      |                                      |
|------------------------|----------------------------|----------------------|--------------------------------------|
| Circuit Board:         | XE301B0                    | R308, 309, 318, 319: | 100Ω 1/4W (HU595100)                 |
| 1. IC                  |                            | R382:                | 33KΩ 1/4W (HU577330)                 |
| IC301, 311:            | NE5532P (IG102500) OP AMP. | R383 ~ 385:          | 51KΩ 1/4W (HU577510)                 |
| 2. Diode Array         |                            | 4. Mica Cap.         |                                      |
| D301, 302, 311, 312:   | MC931 0.3A x 2 (IF005120)  | C303, 305, 313, 315: | 47P 500V (FU351470)                  |
| 3. Metal Film Resistor |                            | C382:                | 10P 500V (FU351100)                  |
| R301, 311:             | 22KΩ 1/4W (HU577220)       | 5. Slide Switch      |                                      |
| R302, 312:             | 82KΩ 1/4W (HU577820)       | SW301, 302, 311:     | SSP32204 (KA401280) PIN-1 GND/MODE   |
| R303 ~ 306, 313 ~ 316: | 15KΩ 1/4W (HU577150)       | 6. Jack              |                                      |
| R307, 317, 381:        | 47Ω 1/4W (HU574470)        | JK301, 311:          | Cannon Jack (LB302320) XLB-3-3       |
|                        |                            | JK302, 312:          | Cannon Jack (LB302340) XLB-3-3       |
|                        |                            | JK303, 313:          | Phone Jack (LB302070) HLJ0544 STEREO |



● CLIP Circuit Board (PC2602M)



Components side (部品側)

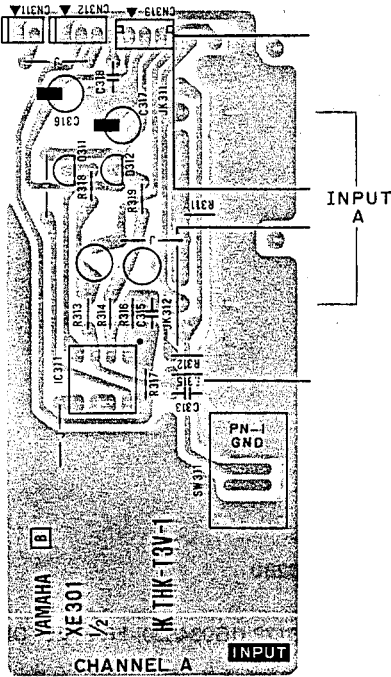
Notes)

- |                |                             |                              |                                    |
|----------------|-----------------------------|------------------------------|------------------------------------|
| Circuit Board: | XE305B0                     | 3. Metal Oxide Film Resistor |                                    |
| 1. IC          |                             | R711, 712:                   | 47Ω 1W (HL314470)                  |
| IC701:         | μPC7815H (IG063900) 15V 1A  | 4. LED                       |                                    |
| IC702:         | μPC7915H (IG077500) -15V 1A | LED701, 702:                 | SLV-56URC3H RE (IF004440) CLIP A/B |
| 2. Transistor  |                             |                              |                                    |
| Q701 ~ 704:    | 2SA970 GR, BL (IA097000)    |                              |                                    |

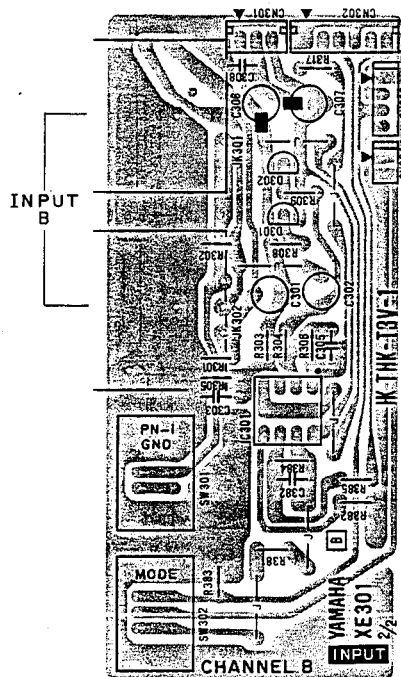
INPUT : 3NA-VE62610   
 CLIP : 3NA-VE62720 



● INPUT Circuit Boards (PC1602)



Components side (部品側)

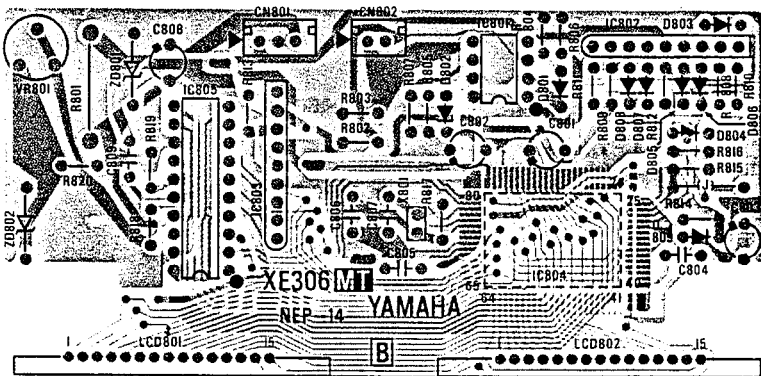


Components side (部品側)

Notes)

- |                         |                            |                      |                                    |
|-------------------------|----------------------------|----------------------|------------------------------------|
| Circuit Board:          | XE301B0                    | R308, 309, 318, 319: | 100Ω 1/4W (HU595100)               |
| 1. IC                   |                            | R382:                | 33KΩ 1/4W (HU577330)               |
| IC301, 311:             | NE5532P (IG102500) OP AMP. | R383 ~ 385:          | 51KΩ 1/4W (HU577510)               |
| 2. Diode Array          |                            | 4. Mica Cap.         |                                    |
| D301, 302, 311, 312:    | MC931 0.3A x 2 (IF005120)  | C303, 305, 313, 315: | 47P 500V (FU351470)                |
| 3. Metal Film Resistor  |                            | C382:                | 10P 500V (FU351100)                |
| R301, 311:              | 22KΩ 1/4W (HU577220)       | 5. Slide Switch      |                                    |
| R302, 312:              | 82KΩ 1/4W (HU577820)       | SW301, 302, 311:     | SSP32204 (KA401280) PIN-1 GND/MODE |
| R 303 ~ 306, 313 ~ 316: | 15KΩ 1/4W (HU577150)       | 6. Jack              |                                    |
| R307, 317, 381:         | 47Ω 1/4W (HU574470)        | JK301, 311:          | Cannon Jack (LB302320) XLB-3-3     |
|                         |                            | JK302, 312:          | Cannon Jack (LB302340) XLB-3-3     |

● MT Circuit Board (PC2602M)



Components side (部品側)

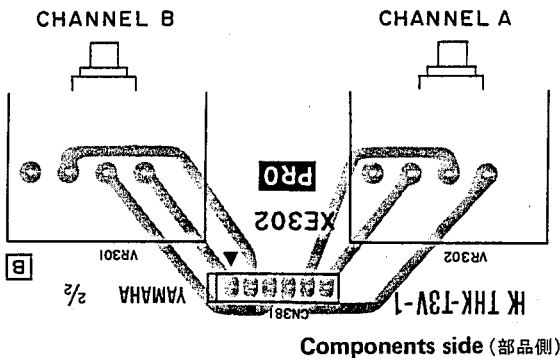
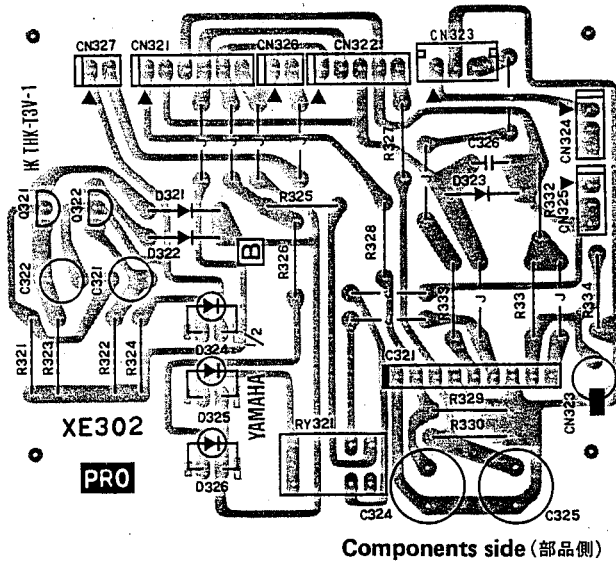
Notes)

- |                              |                                 |
|------------------------------|---------------------------------|
| Circuit Board:               | XE306B0                         |
| 1. IC                        |                                 |
| IC801:                       | NE5532P (IG102500) DUAL OP AMP. |
| IC802:                       | μPC4570HA (XB247001) OP AMP.    |
| IC803:                       | NJM4558S (IG076800) OP AMP.     |
| IC804:                       | LC5812H (XD984A00) CPU, LCD     |
| IC805:                       | BA9221 (IG106000) DAC           |
| 2. Diode                     |                                 |
| D801 ~ 809:                  | 1SS176 (VA240700)               |
| 3. Zener Diode               |                                 |
| ZD801:                       | RD5.1EB2 5.1V (IF005700)        |
| ZD802:                       | 02BZ3.3 (IF001900)              |
| 4. Metal Oxide Film Resistor |                                 |
| R801:                        | 330Ω 1W (HL315330)              |
| 5. Trimmer Pot.              |                                 |
| VR801:                       | B2.2K 3P SR (HT410030)          |
| 6. Ceramic Resonator         |                                 |
| X801:                        | 800K CSB800K (GG000760)         |
| 7. LCD Display               |                                 |
| LCD801, 802:                 | LCD-8002MJP (VE827100)          |

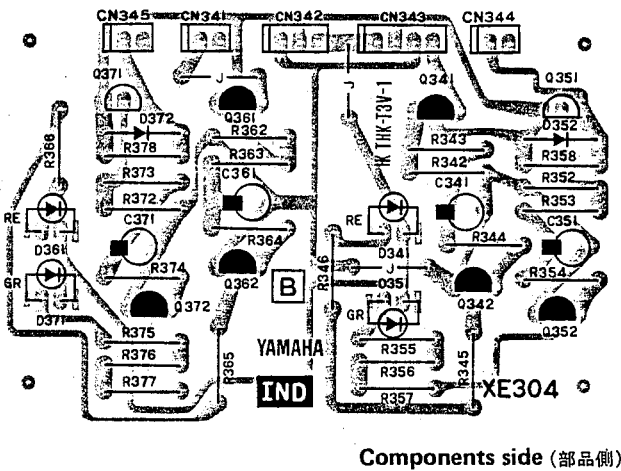
INPUT : 3NA-VE62630 △  
MT : 3NA-VE62710 △

PC1602  
PC2602/PC2602M

● PRO Circuit Boards (PC1602, PC2602, PC2602M)



● IND Circuit Board (PC1602, PC2602)



Notes)

- Circuit Board: XE302B0
- IC  
IC321: TA7317P (IG034800) PROTECTOR
  - Transistor  
Q321, 322: 2SC2240 GR (IC224020)
  - Diode  
D321, 322: 1SS176 (VA240700)  
D323: 10D1 (IH000030)
  - LED  
D324 ~ 326: SLV-56URC3H RE (IF004440) THERMAL/  
PROTECTION  
/POWER
  - Rotary Pot.  
VR301, 302: 20K (VE739700) CHANNEL VOL. A/B
  - Relay  
RY321: HD1-M-DC24V (VC208500)

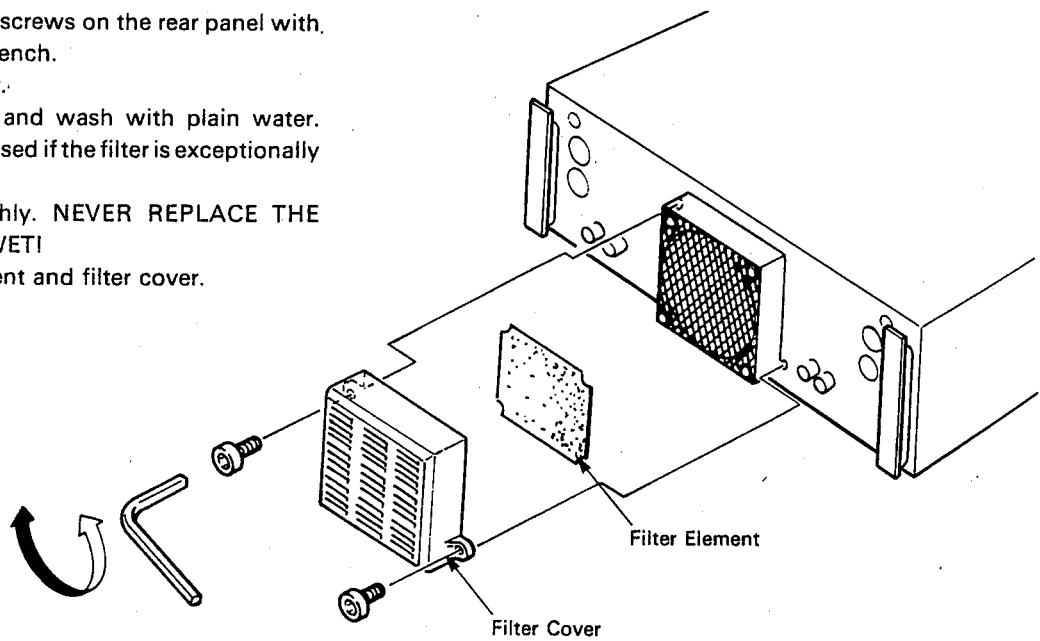
Notes)

- Circuit Board: XE304B0
- Transistor  
Q341, 342, 352, 361,  
362, 372:  
Q351, 371: 2SA970 GR (IA097020)  
2SC2240 GR (IC224020)
  - Diode  
D352, 372: 1SS176 (VA240700)
  - LED  
D341, 361:  
D351, 371: SLV-56URC3H RE (IF004440) CLIP A/B  
SLV-56MCHN GR (IF004450) SIGNAL A/B

## ■ COOLING FAN FILTER MAINTENANCE (クーリングファンフィルターメンテナンス)

The filter element is removed and cleaned as follows.

1. Remove the two upper screws on the rear panel with a 3 mm Allen (hex) wrench.  
Remove the filter cover.
2. Remove filter element and wash with plain water.  
Detergent may also be used if the filter is exceptionally dirty.
3. Dry the filter thoroughly. **NEVER REPLACE THE FILTER WHILE IT IS WET!**
4. Replace the filter element and filter cover.



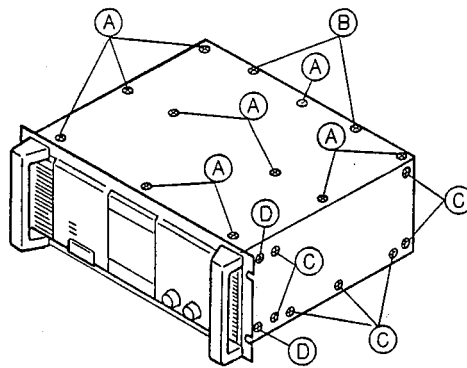
## DISASSEMBLY PROCEDURE (分解手順)

### 1. Top Cover Removal (Refer to Fig. 1.)

Remove the 10 screws ① (4 x 8 Bind head tapping screw) and the 2 screws ② (4 x 12 Bind head tapping screw), then remove the top cover.

### 2. Side Boards Removal (Refer to Fig. 1.)

● Remove the top cover. (Refer to step 1.)  
Remove the 7 screws ③ (4 x 8 Bind head tapping screw) and the 2 screws ④ (4 x 12 Bind head tapping screw), then remove the one side. Remove the other side same way.



(Fig. 1)

### 3. INPUT Circuit Board Removal (Refer to Fig. 2.)

● Remove the top cover. (Refer to step 1.)  
● Remove the side boards. (Refer to step 2.)  
3-1. Remove the 2 screws ⑤ (4 x 12 Bind head tapping screw) and the 1 screw ⑥ (4 x 10 Bind head tapping screw), then remove the wire holders and the lug terminal (a).  
3-2. Remove the 2 screws ⑦ (4 x 12 Bind head tapping screw) and then remove the rear panel.  
3-3. Remove the 2 screws ⑧ (3 x 6 Bind head screw) and then remove the lug terminal (b).  
3-4. Remove the 2 screws ⑨ (4 x 10 Bind head tapping screw) and then remove the speaker terminals A/B (PAA/PAB circuit boards).  
3-5. Remove the 4 screws ⑩ (3 x 10 Bind head screw), the 1 hex. nut ⑪ (φ9, only PC2602M and PC2602) and disconnect the connectors, then remove the INPUT circuit board.

It will be able to remove the other side of the INPUT circuit boards same way.

### 1. トップカバーの外し方(図1参照)

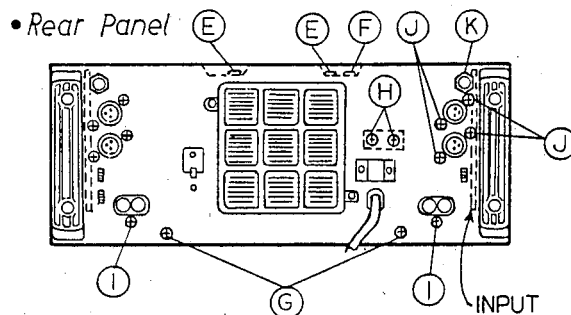
①のネジ10本(4×8バインドタッピングネジ)と②のネジ2本(4×12バインドタッピングネジ)を外して、取り外します。

### 2. 側板の外し方(図1参照)

● トップカバーを外します。(1. トップカバーの外し方参照)  
③のネジ7本(4×8バインドタッピングネジ)と④のネジ2本(4×12バインドタッピングネジ)を外して、取り外します。左側も同じようにして外します。

### 3. INPUTシートの外し方(図2参照)

● トップカバーを外します。(1. トップカバーの外し方参照)  
● 側板を外します。(1. 側板の外し方参照)  
3-1. ⑤のネジ2本(4×12バインドタッピングネジ)と⑥のネジ1本(4×10バインドタッピングネジ)を外して、束線止めとラグ端子(a)を外します。  
3-2. ⑦のネジ2本(4×12バインドタッピングネジ)を外して、リアパネルを外します。  
3-3. ⑧のネジ2本(3×6バインド小ネジ)を外して、ラグ端子(b)を外します。  
3-4. ⑨のネジ4本(4×10バインドタッピングネジ)を外して、スピーカー端子A/B(PAA/PABシート)を外します。  
3-5. ⑩のネジ4本(3×10バインド小ネジ)、⑪の六角ナット1個(φ9)とコネクターを外して、INPUTシートを取り外します。(⑪はPC2602M、PC2602のみ。)反対側のシートの場合も同じようにして取り外します。



(Fig. 2)

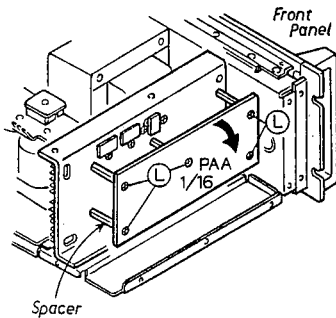
PC1602  
PC2602/PC2602M

**4. PAA (PAB) Circuit Boards Removal (Refer to Fig. 3.)**

- Remove the top cover. (Refer to step 1.)
- Remove the side boards. (Refer to step 2.)
- Remove the channel-A side of the INPUT circuit board. In the case of the PAB circuit board removal, remove the channel-B side of the INPUT circuit board. (Refer to step 3.)

Remove the 5 screws ① (3 x 6 Bind head screw) and disconnect the connectors. Remove the lower spacers and then level the PAA circuit board 1/16 so that turned up the components side. To remove each one of the PAA circuit boards 3/16 - 16/16, remove the screws.

It will be able to remove the PAB circuit boards same way.



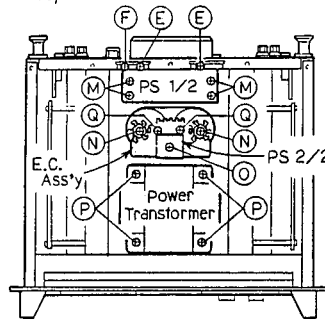
(Fig. 3)

**4. PAA(PAB)シートの外し方(図3参照)**

- トップカバーを外します。(1.トップカバーの外し方参照)
- 側板を外します。(2.側板の外し方参照)
- AチャンネルのINPUTシートを外します。PABシートの場合はBチャンネルのINPUTシートを外します。(3.INPUTシートの外し方参照)

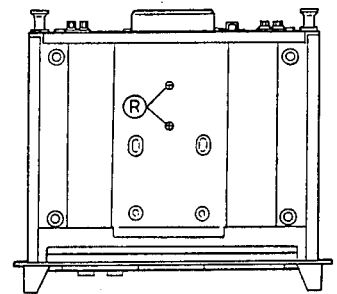
①のネジ5本(3×6バインド小ネジ)とコネクタを外します。下側の支柱を取り外して、PAAシート1/16を部品面が上になるように水平に倒します。PAAシート3/16~16/16のそれぞれのネジを外して、シートを取り外します。PABシートの場合も同じようにして外します。

•Top View



(Fig. 4)

•Bottom View



**5. PS Circuit Boards Removal (Refer to Fig. 4.)**

- Remove the top cover. (Refer to step 1.)
- 5-1. Remove the 2 screws ⑥ (4 x 12 Bind head tapping screw) and the 1 screw ⑦ (4 x 10 Bind head tapping screw), then remove the wire holders and the lug terminal (a).
- 5-2. Remove the 4 screws ⑧ (3 x 8 Bind head tapping screw) and disconnect the connectors, then remove the PS circuit board 1/2.
- 5-3. Remove the 2 screws ⑨ (4 x 6 Bind head screw) and then remove the lug terminals (c).
- 5-4. Remove the 1 screw ⑩ (4 x 16 Bind head tapping screw) and then remove the PS circuit board 2/2.

**5. PSシートの外し方(図4参照)**

- トップカバーを外します。(1.トップカバーの外し方参照)
- 5-1. ⑥のネジ2本(4×12バインドタッピングネジ)と⑦のネジ1本(4×10バインドタッピングネジ)を外して、東線止めとラグ端子(a)を外します。
- 5-2. ⑧のネジ4本(3×8バインドタッピングネジ)とコネクタを外して、PSシート1/2を取り外します。
- 5-3. ⑨のネジ2本(4×6バインド小ネジ)を外してラグ端子(c)を外します。
- 5-4. ⑩のネジ1本(4×16バインドタッピングネジ)を外して、PSシート2/2を外します。

**6. Power Transformer Removal (Refer to Fig. 4.)**

- Remove the top cover. (Refer to step 1.)
- Remove the 4 screws ⑪ (5 x 8 Bind head screw) and then remove the power transformer.

**6. 電源トランスの外し方(図4参照)**

- トップカバーを外します。(1.トップカバーの外し方参照) ⑪のネジ4本(5×8バインド小ネジ)を外して、外します。

**7. Electrolytic Cap. Assembly Removal (Refer to Fig. 4.)**

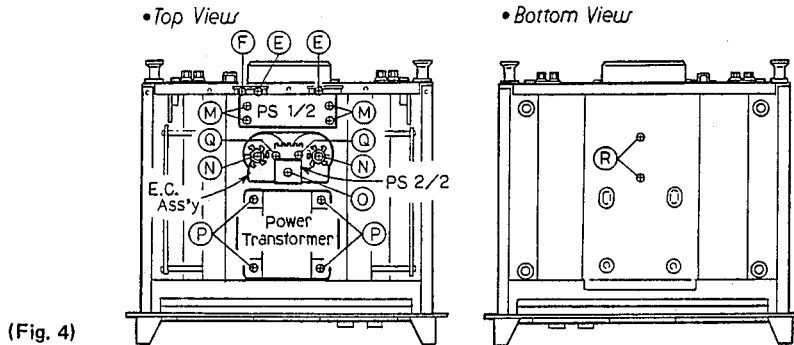
- Remove the top cover. (Refer to step 1.)
- 7-1. Remove the 1 screw ⑫ (4 x 10 Bind head tapping screw) and then remove the lug terminal (a).

**7. ケミコンAss'yの外し方(図4参照)**

- トップカバーを外します。(1.トップカバーの外し方参照)
- 7-1. ⑫のネジ1本(4×10バインドタッピングネジ)を外して、ラグ端子(a)を外します。

- 7-2. Remove the 2 screws ㉑ (4 x 6 Bind head screw) and the 2 screws ㉒ (4 x 6 Bind head screw), then remove the E. C. plate and the lug terminals' (c).
- 7-3. Remove the 2 screws ㉓ (4 x 8 Bind head screw) and then remove the electrolytic cap.

- 7-2. ㉑のネジ2本(4×6バインド小ネジ)と ㉒のネジ2本(4×6バインド小ネジ)を外して、ケミコンプレートとラグ端子(c)を外します。
- 7-3. ㉓のネジ2本(4×8バインド小ネジ)を外してケミコンを外します。



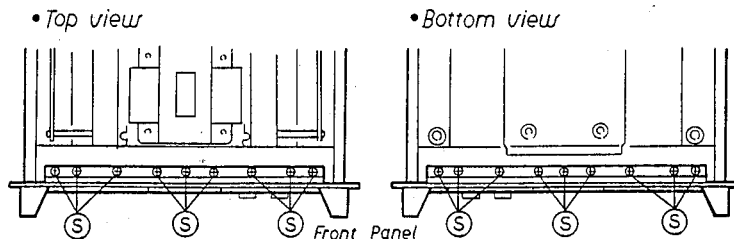
(Fig. 4)

**8. PRO, CLIP, MT, IND Circuit Board Removal**  
(Refer to Fig. 5, 6.)

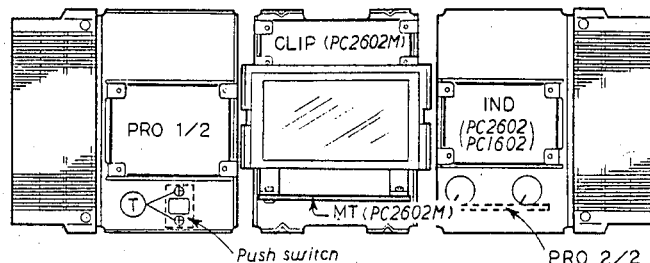
- Remove the top cover. (Refer to step 1.)
  - Remove the side boards. (Refer to step 2.)
- 8-1. Remove the 18 screws ㉔ (4 x 8 Bind head tapping screw) and then remove the front panel.
- 8-2. Disconnect the 10 connectors (PNA: CN102, CN103, CN108, CN109/ PNB: CN202, CN203, CN207, CN208/ INPUT: CN302/ PS: CN405).
- 8-3. Remove the 2 screws ㉕ (3 x 6 Bind head screw) and then remove the push switch.
- 8-4. To remove each circuit board from the sub panel, remove the screws and disconnect the connectors.  
(To remove the PRO circuit board 2/2, remove the vol. knobs and the hex. nuts.)

**8. PRO, CLIP, MT, INDシートの外し方**(図5, 6参照)

- トップカバーを外します。(1. トップカバーの外し方参照)
  - 側板を外します。(2. 側板の外し方参照)
- 8-1. ㉔のネジ18本(4×8バインドタッピングネジ)を外して、フロントパネルを取り外します。
- 8-2. コネクター10個(PNA: CN102, CN103, CN108, CN109/PNB: CN202, CN203, CN207, CN208/INPUT: CN302/PS: CN405)を外します。
- 8-3. ㉕のネジ2本(3×6バインド小ネジ)を外してプッシュスイッチを外します。
- 8-4. それぞれのシートのネジとコネクターを外して、サブパネルから各シートを取り外します。(PROシート2/2は、ボリュームつまみと六角ナットを外して取り外します)



(Fig. 5)



(Fig. 6)

# POWER AMPLIFIER

# PC1602

# PARTS LIST

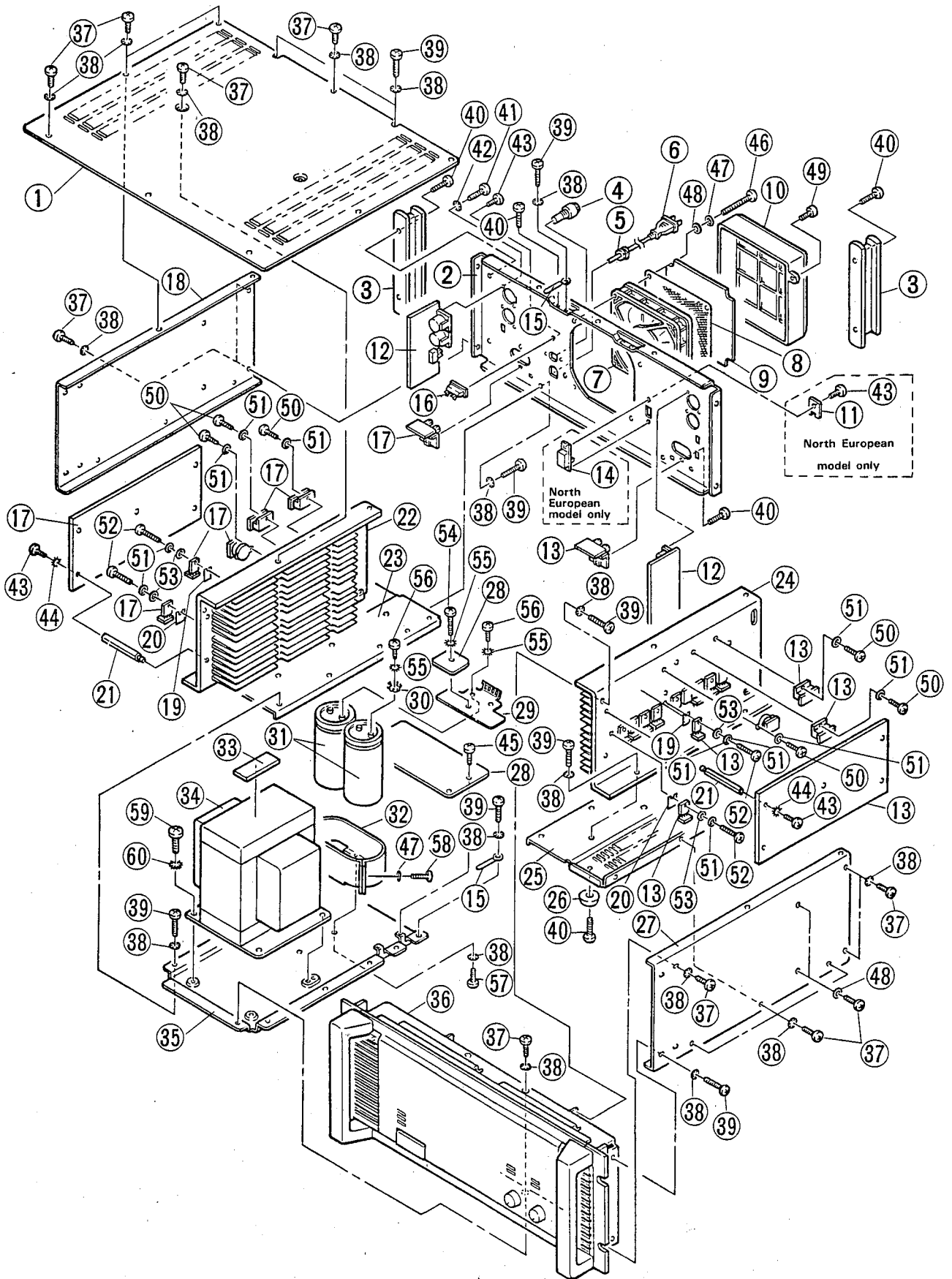
## Notes DESTINATION ABBREVIATIONS

J : Japanese model	A : Australian model
U : U.S. model	E : European model
C : Canadian model	D : West German model
X : General model	B : British model
M : South African model	I : Indonesian model
H : North European model	

## • Circuit Boards Substitution

Model Circuit Boards	PC2602M	PC2602	PC1602
PAA	VE624900 (J, H) VE625100 (U, C)	←	VE625400 (J, H) VE625500 (U, C)
PAB	VE625200 (J, H) VE625300 (U, C)	←	VE625600 (J, H) VE625900 (U, C)
PS	VE624800 (J) VE626600 (U, C) VE982900 (H)	←	←
PRO	VE626400	←	←
INPUT	VE626100	←	VE626300
MT	VE627100		
CLIP	VE627200		
IND		VE626500	←

OVERALL ASSEMBLY (PC1602)



PC1602  
PC2602/PC2602M

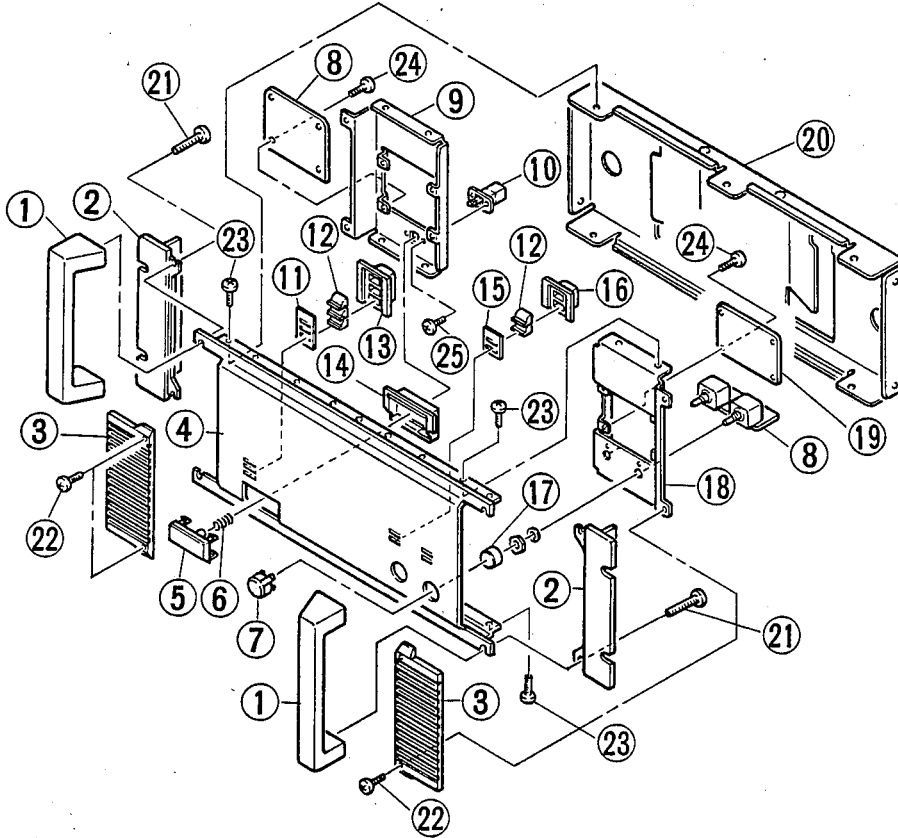


Ref. No.	Part No.	Description	部品名	Remarks	ランク
1	VE592300	Top Cover	トップカバー		
2	VE596100	Rear Panel	リアパネル	J	
2	VE596200	Rear Panel	リアパネル	U	
2	VF222200	Rear Panel	リアパネル	C	
2	VE596300	Rear Panel	リアパネル	H	
3	CB808650	Cord Reel	コードリール		03
4	LB200490	Fuse Holder	ヒューズホルダー	J, U, C	04
4	LB200590	Fuse Holder	ヒューズホルダー	H	06
5	CB806850	Cord Strain Relief	コードストッパー	J, U, C	02
5	CB032840	Cord Strain Relief	コードストッパー	H	01
6	MG000610	AC Cord	電源コード	J	06
6	VD279600	AC Cord	電源コード	U, C	08
6	MG001130	AC Cord	電源コード	H	
7	VE440500	Fan	ファン		
8	VE846400	Filter Net	フィルターネット		
9	VE846300	Filter	フィルター		
10	VE846200	Cover, Fan	ファンカバー		
11	VC318800	Plate, Voltage Selector	電圧切換板	H	01
12	VE626300	Circuit Board	INPUT P A B シート		
13	VE625600	Circuit Board	P A B シート	J, H	
13	VE625900	Circuit Board	P A B シート	U, C	
14	KA400740	Slide Switch	スライドスイッチ	H	VOLT. SELECT
15	CB040540	Holder, Wire	束線止め端子		06
16	VD042100	Lug Terminal	プラグ端子		01
16	VE625400	Circuit Board	P A A シート	J, H	02
17	VE625500	Circuit Board	P A A シート	U, C	
18	VE595400	Side Board-L	側板(左)		
19	IL000690	Insulation Sheet	放熱シート		01
20	IL000680	Insulation Sheet	放熱シート		01
21	VE846100	Spacer	支柱		
22	VE595600	Radiator-L	ラジエーター(左)		
23	VE845200	Bottom Board-L	底板(左)		
24	VE595700	Radiator-R	ラジエーター(右)		
25	VE845300	Bottom Board-R	底板(右)		
26	CB806590	Foot	アンプレッグ		01
27	VE595500	Side Board-R	側板(右)		
28	VE624800	Circuit Board	P S シート	J	
28	VE626600	Circuit Board	P S シート	U, C	
28	VE982900	Circuit Board	P S シート	H	
29	VE592500	E.C. Plate	ケミコンプレート		
30	BB068540	Lug Terminal	ラグ端子		02
31	FZ006780	Electrolytic Cap.	ケミコン		10
32	AA803210	Holder, E.C.	ケミコンホルダー		04
33	VE618700	Rubber	防振ゴム		
34	XD133A00	Power Transformer	電源トランス	J	
34	XD139A00	Power Transformer	電源トランス	U, C	
34	XD140A00	Power Transformer	電源トランス	H	
35	VE592400	Chassis, Transformer	トランスシャーシ		
36		Front Panel Assembly	フロントパネル Ass'y		
37	EI340086	Bind Head Tapping Screw	ハインドタッピングネジ		01
38	EV403046	Toothed Lock Washer	歯付座金内歯形		01
39	EI340126	Bind Head Tapping Screw	ハインドタッピングネジ		01
40	EI340106	Bind Head Tapping Screw	ハインドタッピングネジ		01
41	ED330106	Bind Head Screw	バインド小ネジ		01
42	EV413036	Toothed Lock Washer	歯付座金内歯形		01
43	ED330066	Bind Head Screw	バインド小ネジ		01
44	EV423036	Toothed Lock Washer	歯付座金外歯形		01
45	EI330086	Bind Head Tapping Screw	ハインドタッピングネジ		01
46	ED340356	Bind Head Screw	バインド小ネジ		01
47	EV303406	Spring Washer	バネ座金		01
48	EV203046	Flat Washer	平座金		01
49	EX800490	Cap Screw	六角穴付ボルト		
50	EA030086	Pan Head Screw	ナベ小ネジ		01
51	EV300036	Spring Washer	バネ座金		01
52	EA030126	Pan Head Screw	ナベ小ネジ		01
53	EV200036	Flat Washer	平座金		01
54	EI340166	Bind Head Tapping Screw	ハインドタッピングネジ		01
55	EV423046	Toothed Lock Washer	歯付座金外歯形		01
56	ED340066	Bind Head Screw	バインド小ネジ		01
57	ED340086	Bind Head Screw	バインド小ネジ		01
58	ED340106	Bind Head Screw	バインド小ネジ		01
59	ED350086	Bind Head Screw	バインド小ネジ		01
60	EV433056	Toothed Lock Washer	歯付座金内外歯形		01

\* New Parts (新規部品)

PC1602  
PC2602/PC2602M

FRONT PANEL ASSEMBLY (PC1602)



Ref. No.	Part No.	Description	部品名	Remarks	ランク
1	VE596600	Handle	アンハンドル		
2	VE596500	Mount Angle	マウントアングル		
3	VE255700	Grille	グリル		
4	VE596400	Front Panel	フロントパネル		
5	VE027600	Knob, Power Switch	パワーボタン		03
6	AA617880	Spring	スプリング	CO A-750	01
7	VF379000	Knob Cap	プッシュキャップ		
8	VE626400	Circuit Board	PROシート		
9	VE595900	Sub Panel-S	サブパネル(S)		
10	KA804970	Push Switch	プッシュスイッチ	ESB-99119R-F	06
10	KA804980	Push Switch	プッシュスイッチ	ESB-9933T-F	J POWER
10	KA804990	Push Switch	プッシュスイッチ	ESB-9917S-F	U.C POWER
11	VE844300	Spacer-L	スペーサー(L)		H POWER
12	CB630020	Lens	レンズ		
13	VE440600	Reflector-L	リフレクター(L)		
14	VE593100	Escutcheon, Power Switch	パワーボタン枠		
15	VE844400	Spacer-M	スペーサー(M)		
16	VE844000	Reflector-M	リフレクター(M)		
17	VE027700	Knob	ノブ		02
18	VE845700	Sub Panel-V	サブパネル(V)		
19	VE626500	Circuit Board	INDシート		
20	VE596000	Sub Panel-A	サブパネル(A)		
21	ED340166	Bind Head Screw	バインド小ネジ	4.0×16 FCM3BL	01
22	ED330086	Bind Head Screw	バインド小ネジ	3.0×8 FCM3BL	01
23	EI340086	Bind Head Tapping Screw	バインドタッピングネジ	4.0×8 FCM3BL	01
24	EI330086	Bind Head Tapping Screw	バインドタッピングネジ	3.0×8 FCM3BL	01
25	ED330066	Bind Head Screw	バインド小ネジ	3.0×6 FCM3BL	01

\* New Parts (新規部品)

ランク: Japan only

■ ELECTRICAL PARTS (PC1602)

Ref. No.	Part No.	Description	部品名	Remarks	ランク	
	VE625400	Circuit Board	PAA	P A A シート	J, H	
	VE625500	Circuit Board	PAA	P A A シート	U, C	
	VE625600	Circuit Board	PAB	P A B シート	J, H	
	VE625900	Circuit Board	PAB	P A B シート	U, C	
	VE624800	Circuit Board	PS	P S シート	J	
	VE626600	Circuit Board	PS	P S シート	U, C	
	VE982900	Circuit Board	PS	P S シート	H	
	VE626400	Circuit Board	PRO	P R O シート		
	VE626500	Circuit Board	IND	I N D シート		
	VE626300	Circuit Board	INPUT	I N P U T シート		
	VE625400	Circuit Board	PAA	P A A シート	J, H	
	VE625500	Circuit Board	PAA	P A A シート	U, C	
	IA097020	Transistor	2SA970 GR	トランジスタ		03
	IC181530	Transistor	2SC1815 GR	トランジスタ		03
	IC224020	Transistor	2SC2240 GR	トランジスタ		03
	IX803000	Transistor	2SA1265 R,0	トランジスタ		
	IX803010	Transistor	2SC3182 R,0	トランジスタ		
	IX801630	Transistor	2SA1142 P,Q	トランジスタ		03
	IX801640	Transistor	2SC2682 P,Q	トランジスタ		03
	IA096840	Transistor	2SA9688 O,Y	トランジスタ		03
	IC223840	Transistor	2SC2238B O,Y	トランジスタ		03
	IF001400	Diode	1SS82	ダイオード		02
	VA240700	Diode	1SS176	ダイオード		01
	VC212700	Diode	3L261	ダイオード		03
	IF002140	Zener Diode	RD5.6EB2 5.6V	ツェナーダイオード		01
	HU575390	Metal Film Resistor	390Ω 1/4W	金属被膜抵抗		02
	HU577110	Metal Film Resistor	11KΩ 1/4W F	金属被膜抵抗		02
	HL314100	Metal Oxide Film Resistor	10Ω 1W J	酸化金属被膜抵抗		01
	HL314220	Metal Oxide Film Resistor	22Ω 1W J	酸化金属被膜抵抗		01
	HL323470	Metal Oxide Film Resistor	4.7Ω 2W J	酸化金属被膜抵抗		01
	HV353220	Flame Proof C. Resistor	2.2Ω 1/4W	不燃化カーボン抵抗		01
	HV353470	Flame Proof C. Resistor	4.7Ω 1/4W	不燃化カーボン抵抗		01
	HV455100	Flame Proof C. Resistor	100Ω 1/4W J	不燃化カーボン抵抗		01
	HV355120	Flame Proof C. Resistor	120Ω 1/4W	不燃化カーボン抵抗		01
	HV455220	Flame Proof C. Resistor	220Ω 1/4W J	不燃化カーボン抵抗		01
	HV355270	Flame Proof C. Resistor	270Ω 1/4W	不燃化カーボン抵抗		01
	HV455390	Flame Proof C. Resistor	390Ω 1/4W J	不燃化カーボン抵抗		01
	HV456270	Flame Proof C. Resistor	2.7KΩ 1/4W J	不燃化カーボン抵抗		01
	HZ003600	Wire Wound Resistor	0.47Ω 5W K	セメント抵抗		02
	HM654100	Wire Wound Resistor	10Ω 5W	セメント抵抗		02
	VE404900	Positive Thermistor	PTH59F04BE471TS	温度検知用抵抗		04
	HT410370	Trimmer Potentiometer	B470 3P H1052A	半固定ボリューム		02
	FC023470	Mylar Cap.	0.047μ 100V K	マイラコン		02
	FZ005200	Mylar Cap.	0.1μ 100V K	マイラコン		01
	FZ005210	Mylar Cap.	0.22μ 100V K	マイラコン		02
	FZ005220	Mylar Cap.	0.47μ 100V K	マイラコン		02
	FJ197470	Electrolytic Cap.	47μ 100V	ケミコン		02
	FJ298100	Electrolytic Cap.	100μ 100V	ケミコン		03
	FU351330	Mica Cap.	33P 500V J	マイカコン		01
	FU351680	Mica Cap.	68P 500V J	マイカコン		02
	GD900580	Coil	2mH 19×24	空芯コイル		01
	KA907000	Thermostat Switch	1NT01F0459F6015	サーマルスイッチ		05
	VE946100	Thermal Reed Switch	OHD-80B	サーマルガード		
	KA000220	Thermal Reed Switch	OHD-85B	サーマルガード		06
	KC001410	Relay	JC2AD-DC24V	リレー		07
	LA005520	Speaker Terminal	2P #552	スピーカ端子	J, H	06
	LA005530	Speaker Terminal	2P #553	スピーカ端子	U, C	
	LB300300	Connectcon Wafer		コネクタコネクタ		02
	VE625600	Circuit Board	PAB	P A B シート	J, H	
	VE625900	Circuit Board	PAB	P A B シート	U, C	
	IA097020	Transistor	2SA970 GR	トランジスタ		03
	IC181530	Transistor	2SC1815 GR	トランジスタ		03
	IC224020	Transistor	2SC2240 GR	トランジスタ		03
	IX803000	Transistor	2SA1265 R,0	トランジスタ		
	IX803010	Transistor	2SC3182 R,0	トランジスタ		
	IX801630	Transistor	2SA1142 P,Q	トランジスタ		03
	IX801640	Transistor	2SC2682 P,Q	トランジスタ		03
	IA096840	Transistor	2SA9688 O,Y	トランジスタ		03
	IC223840	Transistor	2SC2238B O,Y	トランジスタ		03
	IF001400	Diode	1SS82	ダイオード		02
	VA240700	Diode	1SS176	ダイオード		01
	VC212700	Diode	3L261	ダイオード		03
	IF002140	Zener Diode	RD5.6EB2 5.6V	ツェナーダイオード		01
	HU575390	Metal Film Resistor	390Ω 1/4W	金属被膜抵抗		02
	HU577110	Metal Film Resistor	11KΩ 1/4W F	金属被膜抵抗		02
	HL314100	Metal Oxide Film Resistor	10Ω 1W J	酸化金属被膜抵抗		01
	HL314220	Metal Oxide Film Resistor	22Ω 1W J	酸化金属被膜抵抗		01

\* New Parts (新規部品)

PC1602  
PC2602/PC2602M

Ref. No.	Part No.	Description	部品名	Remarks	ランク
	HL323470	Metal Oxide Film Resistor	4.7Ω 2W J	酸化金属被膜抵抗	01
	HV353220	Flame Proof C. Resistor	2.2Ω 1/4W	不燃化カーボン抵抗	01
	HV353470	Flame Proof C. Resistor	4.7Ω 1/4W	不燃化カーボン抵抗	01
	HV455100	Flame Proof C. Resistor	100Ω 1/4W J	不燃化カーボン抵抗	01
	HV355120	Flame Proof C. Resistor	120Ω 1/4W	不燃化カーボン抵抗	01
	HV455220	Flame Proof C. Resistor	220Ω 1/4W J	不燃化カーボン抵抗	01
	HV355270	Flame Proof C. Resistor	270Ω 1/4W	不燃化カーボン抵抗	01
	HV455390	Flame Proof C. Resistor	390Ω 1/4W J	不燃化カーボン抵抗	01
	HV456270	Flame Proof C. Resistor	2.7KΩ 1/4W J	不燃化カーボン抵抗	01
	HZ003600	Wire Wound Resistor	0.47Ω 5W K	セメント抵抗	02
	HM654100	Wire Wound Resistor	10Ω 5W	セメント抵抗	02
	VE404900	Positive Thermistor	PTH59F04BE471TS	温度検知用抵抗	04
	HT410370	Trimmer Potentiometer	B470 3P H1052A	半固定ボリューム	02
	FC023470	Mylar Cap.	0.047μ 100V K	マイラコン	02
	FZ005200	Mylar Cap.	0.1μ 100V K	マイラコン	01
	FZ005210	Mylar Cap.	0.22μ 100V K	マイラコン	02
	FZ005220	Mylar Cap.	0.47μ 100V K	マイラコン	02
	FJ197470	Electrolytic Cap.	47μ 100V	ケミコン	02
	FJ298100	Electrolytic Cap.	100μ 100V	ケミコン	03
	FU351330	Mica Cap.	33P 500V J	マイカコン	01
	FU351680	Mica Cap.	68P 500V J	マイカコン	02
	GD900580	Coil	2mH 19×24	空芯コイル	01
	KA907000	Thermostat Switch	1NT01F0459F6015	クリックスイッチ	05
	VE946100	Thermal Reed Switch	OHD-80B	サーマルガード	
	KA000220	Thermal Reed Switch	OHD-85B	サーマルガード	06
	KC001410	Relay	JC2AD-DC24V	リレー	07
	LA005510	Speaker Terminal	2P #551	スピーカ端子	06
	LA005540	Speaker Terminal	2P #554	スピーカ端子	
	LB300300	Connectcon Wafer		コネクタウエハー	02
	VE624800	Circuit Board	PS	PSシート	J
	VE626600	Circuit Board	PS	PSシート	U.C
	VE982900	Circuit Board	PS	PSシート	H
	IG063900	IC	μ PC7815H	IC	15V 1A
	IG077500	IC	μ PC7915H	IC	-15V 1A
	IH000030	Diode	10D1	ダイオード	03
	IH000390	Diode Stack	KBPC25-04	ダイオードスタック	09
	IH001400	Diode Stack	1G4B1 1.5A 400V	ダイオードスタック	03
	HL315100	Metal Oxide Film Resistor	100Ω 1W	酸化金属被膜抵抗	01
	FH223470	Ceramic Cap.	0.0047μ 500V	セラミックコン	01
	FZ000650	Mylar Cap.	0.01μ 630V	マイラコン	02
	FJ298100	Electrolytic Cap.	100μ 100V	ケミコン	03
	FJ298470	Electrolytic Cap.	470μ 100V	ケミコン	04
	KB000330	Fuse	T1A 250V	ヒューズ	J
	KB000340	Fuse	1.5A 250V	ヒューズ	J
	KB001150	Fuse	T500mA 250V	ヒューズ	U.C
	KB001060	Fuse	T1A 250V	ヒューズ	U.C
	KB001590	Fuse	1.5A 250V	ヒューズ	U.C
	KB000710	Fuse	T500mA 250V S	ヒューズ	H
	KB001660	Fuse	T1.6A 250V S	ヒューズ	H
	KB001770	Fuse	T1A 250V S	ヒューズ	H
	LB201530	Fuse Holder	PC-FH1	ヒューズホルダー	01
	VE626400	Circuit Board	PRO	PROシート	
	IG034800	IC	TA7317P	IC	PROTECTOR
	IC224020	Transistor	2SC2240 GR	トランジスタ	03
	IH000030	Diode	10D1	ダイオード	03
	VA240700	Diode	1SS176	ダイオード	01
	IF004440	LED	SLV-56URC3H RE	LED	01
	VE739700	Rotary Pot.	20K	ロータリーボリューム	THERM/PROTEC/PW CHANNEL VOL.A/B
	VC208500	Relay	HD1-M-DC24V	リレー	05
	VE626500	Circuit Board	IND	INDシート	
	IA097020	Transistor	2SA970 GR	トランジスタ	03
	IC224020	Transistor	2SC2240 GR	トランジスタ	03
	VA240700	Diode	1SS176	ダイオード	01
	IF004440	LED	SLV-56URC3H RE	LED	01
	IF004450	LED	SLV-56MCHN GR	LED	01
	VE626300	Circuit Board	INPUT	INPUTシート	
	IG102500	IC	NE5532P	IC	OP-AMP.
	IF005120	Diode Array	MC931 0.3A×2	ダイオードアレイ	01
	HU574470	Metal Film Resistor	47Ω 1/4W F	金属被膜抵抗	02
	HU595100	Metal Film Resistor	100Ω 1/4W	金属被膜抵抗	04
	HU577150	Metal Film Resistor	15KΩ 1/4W F	金属被膜抵抗	02
	HU577220	Metal Film Resistor	22KΩ 1/4W	金属被膜抵抗	02
	HU577330	Metal Film Resistor	33KΩ 1/4W F	金属被膜抵抗	02
	HU577510	Metal Film Resistor	51KΩ 1/4W F	金属被膜抵抗	02
	HU577820	Metal Film Resistor	82KΩ 1/4W F	金属被膜抵抗	02

PC1602  
PC2602/PC2602M



# POWER AMPLIFIER

# PC2602

# PARTS LIST

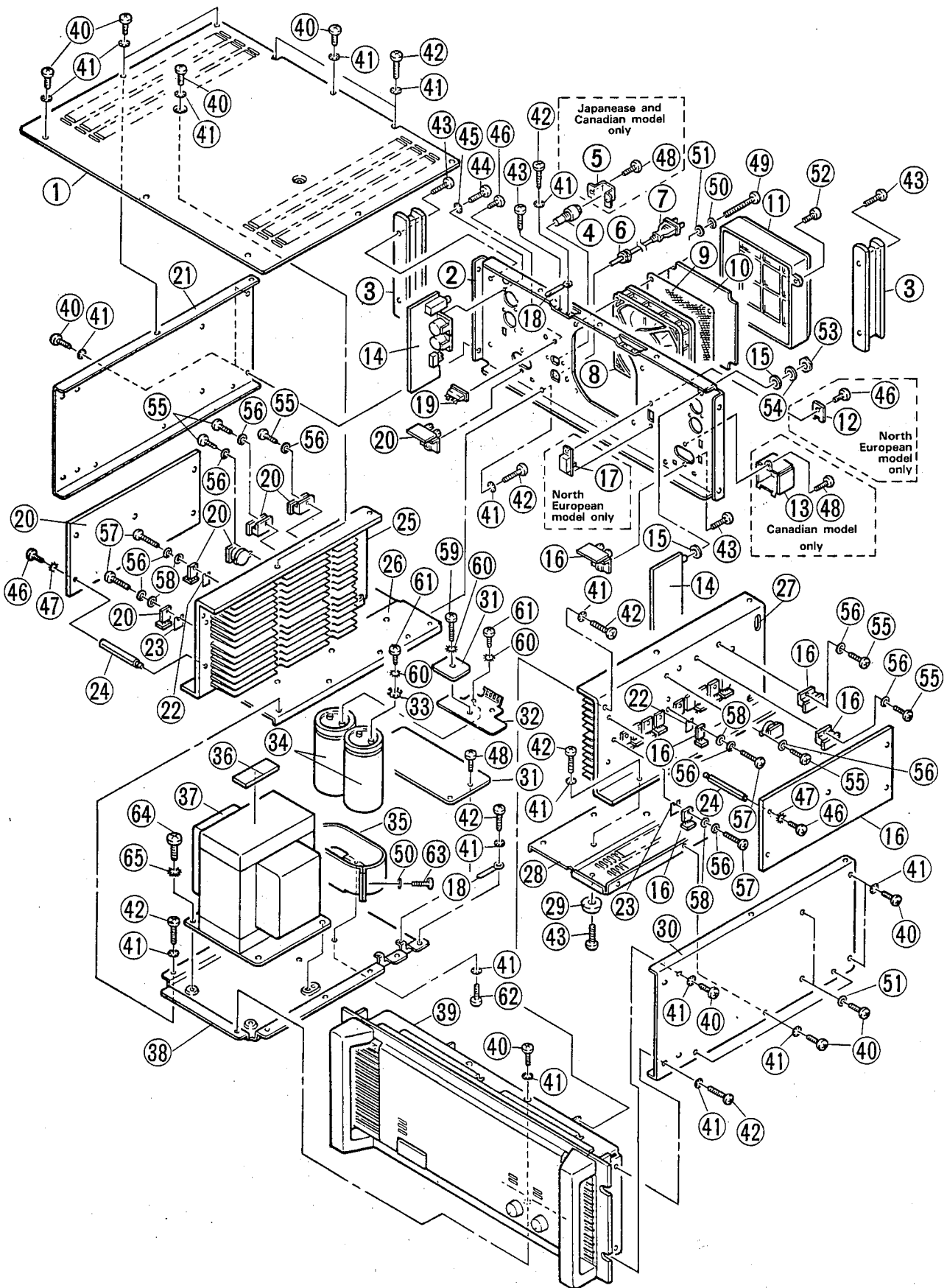
## Notes DESTINATION ABBREVIATIONS

J : Japanese model	A : Australian model
U : U.S. model	E : European model
C : Canadian model	D : West German model
X : General model	B : British model
M : South African model	I : Indonesian model
H : North European model	

## • Circuit Boards Substitution

Model Circuit Boards	PC2602M	PC2602	PC1602
PAA	VE624900 (J, H) VE625100 (U, C)	←	VE625400 (J, H) VE625500 (U, C)
PAB	VE625200 (J, H) VE625300 (U, C)	←	VE625600 (J, H) VE625900 (U, C)
PS	VE624800 (J) VE626600 (U, C) VE982900 (H)	←	←
PRO	VE626400	←	←
INPUT	VE626100	←	VE626300
MT	VE627100		
CLIP	VE627200		
IND		VE626500	←

# OVERALL ASSEMBLY (PC2602)



PC1602  
PC2602/PC2602M

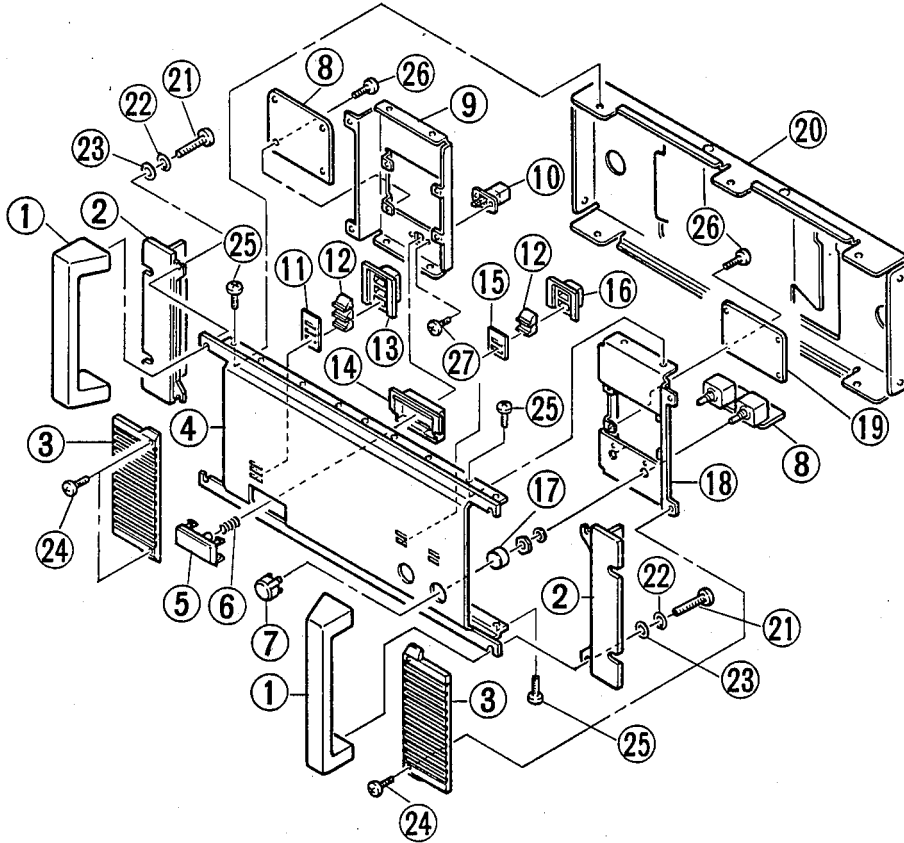
Ref. No.	Part No.	Description	部品名	Remarks	ランク
1	VE592300	Top Cover			
2	VE595100	Rear Panel	PC2602		
2	VE595200	Rear Panel	PC2602	J	
2	VE846600	Rear Panel	PC2602	U	
2	VE595300	Rear Panel	PC2602	C	
3	CB806640	Cord Reel			04
4	LB202940	Fuse Holder	FH-B01	J, U, C	03
4	LB200590	Fuse Holder	FEB 031	H	06
5	VE592200	Cover, Fuse		J, C	
6	CB806850	Cord Strain Relief	SR-6N3-4	J	02
6	VB669000	Cord Strain Relief	SR-7P-2	U, C	
6	CB032840	Cord Strain Relief	SR-5N-4	H	01
7	MG000610	AC Cord	15A 2.1m	J	06
7	VC845700	AC Cord	15A 2.5m	U, C	
7	MG001130	AC Cord	6A 3.5m	H	
8	VE440500	Fan			
9	VE846400	Filter Net			
10	VE846300	Filter			
11	VE846200	Cover, Fan			
12	VC318800	Plate, Voltage Selector		H	01
13	VE845600	Cover, Speaker Channel		C	
14	VE626100	Circuit Board	INPUT		
15	CB810090	Insulated Nut			01
16	VE625200	Circuit Board	PAB	J, H	
16	VE625300	Circuit Board	PAB	U, C	
17	KA400740	Slide Switch	EDS-3992-F S	H VOLT.SELECT	06
18	CB040540	Holder, Wire			01
19	VD042100	Lug Terminal	2 ST71V-8M		02
20	VE624900	Circuit Board	PAA	J, H	
20	VE625100	Circuit Board	PAA	U, C	
21	VE592000	Side Board-L	Left		
22	IL000690	Insulation Sheet	CSSX-G509		01
23	IL000680	Insulation Sheet	BFG-20		01
24	VE846100	Spacer			
25	VE592600	Radiator-L	Left		
26	VE845200	Bottom Board-L	Left		
27	VE592700	Radiator-R	Right		
28	VE845300	Bottom Board-R	Right		01
29	CB806590	Foot	BL		
30	VE592100	Side Board-R	Right		
31	VE624800	Circuit Board	PS	J	
31	VE626600	Circuit Board	PS	U, C	
31	VE982900	Circuit Board	PS	H	
32	VE592500	E.C. Plate			
33	BB068540	Lug Terminal			02
34	VE624600	Electrolytic Cap.	22000 $\mu$ 100V		
35	AA803210	Holder, E.C.			04
36	CB828170	Rubber			01
37	XD128A00	Power Transformer		J	
37	XD129A00	Power Transformer		U, C	
37	XD130A00	Power Transformer		H	
38	VE592400	Chassis, Transformer			
39		Front Panel Assembly			
40	E1340086	Bind Head Tapping Screw	4.0 $\times$ 8 FCM3BL		01
41	EV403046	Toothed Lock Washer	A $\phi$ 4.0 FCM3BL		01
42	E1340126	Bind Head Tapping Screw	4.0 $\times$ 12 FCM3BL		01
43	E1340106	Bind Head Tapping Screw	4.0 $\times$ 10 FCM3BL		01
44	ED330106	Bind Head Screw	3.0 $\times$ 10 FCM3BL		01
45	EV413036	Toothed Lock Washer	A $\phi$ 3.0 FCM3BL		01
46	ED330066	Bind Head Screw	3.0 $\times$ 6 FCM3BL		01
47	EV423036	Toothed Lock Washer	B $\phi$ 3.0 ZMC2BL		01
48	E1330086	Bind Head Tapping Screw	3.0 $\times$ 8 FCM3BL		01
49	ED340356	Bind Head Screw	4.0 $\times$ 35 FCM3BL		01
50	EV303406	Spring Washer	$\phi$ 4.0 FCM3BL		01
51	EV203046	Flat Washer	$\phi$ 4.0 FCM3BL		01
52	EX800490	Cap Screw	3.0 $\times$ 6 FCM3BL		
53	LX200060	Hexagonal Nut	$\phi$ 9.0 FNM3-3G		01
54	LX200010	Flat Washer	$\phi$ 9.0 FCM3-3G		01
55	EA030086	Pan Head Screw	3.0 $\times$ 8 ZMC2Y		01
56	EV300036	Spring Washer	$\phi$ 3.0 ZMC2Y		01
57	EA030126	Pan Head Screw	3.0 $\times$ 12 ZMC2Y		01
58	EV200036	Flat Washer	$\phi$ 3.0 ZMC2Y		01
59	E1340166	Bind Head Tapping Screw	4.0 $\times$ 16 FCM3BL		01
60	EV423046	Toothed Lock Washer	B $\phi$ 4.0 ZMC2BL		01
61	ED340066	Bind Head Screw	4.0 $\times$ 6 FCM3BL		01
62	ED340086	Bind Head Screw	4.0 $\times$ 8 FCM3BL		01
63	ED340106	Bind Head Screw	4.0 $\times$ 10 FCM3BL		01
64	ED350086	Bind Head Screw	5.0 $\times$ 8 ZMC2BL		01
65	EV433056	Toothed Lock Washer	AB $\phi$ 5.0 FCM3BL		01

\* New Parts (新規部品)

ランク: Japan only



FRONT PANEL ASSEMBLY (PC2602)



Ref. No.	Part No.	Description	部品名	Remarks	ランク
1	VE593900	Handle	アンブハンドル		
2	VE593800	Mount Angle	マウントアングル		
3	VE255600	Grille	グリル		
4	VE597700	Front Panel	フロントパネル		
5	VE027600	Knob, Power Switch	パワーボタン		03
6	AA617880	Spring	スプリング	CO A-750	01
7	VF379000	Knob Cap	ノブキャップ		
8	VE626400	Circuit Board	PRO PROシート		
9	VE592800	Sub Panel-S	サブパネル(S)		
10	KA804970	Push Switch	ESB-99119R-F プッシュスイッチ	J POWER	06
10	KA804980	Push Switch	ESB-9933T-F プッシュスイッチ	U.C POWER	
10	KA804990	Push Switch	ESB-9917S-F プッシュスイッチ	H POWER	
11	VE844300	Spacer-L	スペースサ(L)		
12	CB630020	Lens	レンズ		
13	VE440600	Reflector-L	リフレクター(L)		
14	VE593100	Escutcheon, Power Switch	パワーボタン枠		
15	VE844400	Spacer-M	スペースサ(M)		
16	VE844000	Reflector-M	リフレクター(M)		
17	VE027700	Knob	ノブ		02
18	VE845100	Sub Panel-V	サブパネル(V)		
19	VE626500	Circuit Board	IND INDシート		
20	VE592900	Sub Panel-A	サブパネル(A)		
21	ED350166	Bind Head Screw	5.0×16 ZMC2BL バインド小ネジ		01
22	EV303056	Spring Washer	φ5.0 FCM3BL バネ座金		01
23	EV203056	Flat Washer	φ5.0 FCM3BL 平座金		01
24	ED330086	Bind Head Screw	3.0×8 FCM3BL バインド小ネジ		01
25	EI340086	Bind Head Tapping Screw	4.0×8 FCM3BL バインドタッピングネジ		01
26	EI330086	Bind Head Tapping Screw	3.0×8 FCM3BL バインドタッピングネジ		01
27	ED330066	Bind Head Screw	3.0×6 FCM3BL バインド小ネジ		01

\* New Parts (新規部品)

ランク : Japan only

PC1602  
PC2602/PC2602M

**ELECTRICAL PARTS (PC2602)**

Ref. No.	Part No.	Description	部品名	Remarks	ランク	
	VE624900	Circuit Board	PAA	PAAシート	J,H	
	VE625100	Circuit Board	PAA	PAAシート	U,C	
	VE625200	Circuit Board	PAB	PABシート	J,H	
	VE625300	Circuit Board	PAB	PABシート	U,C	
	VE624800	Circuit Board	PS	PSシート	J	
	VE626600	Circuit Board	PS	PSシート	U,C	
	VE982900	Circuit Board	PS	PSシート	H	
	VE626400	Circuit Board	PRO	PROシート		
	VE626500	Circuit Board	IND	INDシート		
	VE626100	Circuit Board	INPUT	INPUTシート		
	VE624900	Circuit Board	PAA	PAAシート	J,H	
	VE625100	Circuit Board	PAA	PAAシート	U,C	
	IA097020	Transistor	2SA970 GR	トランジスタ		03
	IC181530	Transistor	2SC1815 GR	トランジスタ		03
	IC224020	Transistor	2SC2240 GR	トランジスタ		03
	IX801630	Transistor	2SA1142 P,Q	トランジスタ		03
	IX801640	Transistor	2SC2682 P,Q	トランジスタ		03
	IX801650	Transistor	2SA1516 R,O	トランジスタ		05
	IX801660	Transistor	2SC3907 R,O	トランジスタ		05
	IA096840	Transistor	2SA968B O,Y	トランジスタ		03
	IC223840	Transistor	2SC2238B O,Y	トランジスタ		03
	IF001400	Diode	1SS82	ダイオード		02
	VA240700	Diode	1SS176	ダイオード		01
	VC212700	Diode	3LZ61	ダイオード		03
	IF002140	Zener Diode	RD5.6EB2 5.6V	ツェナーダイオード		01
	HU575330	Metal Film Resistor	330Ω 1/4W F	金属被膜抵抗		02
	HU577120	Metal Film Resistor	12KΩ 1/4W F	金属被膜抵抗		02
	HL323470	Metal Oxide Film Resistor	4.7Ω 2W J	酸化金属被膜抵抗		01
	HL314100	Metal Oxide Film Resistor	10Ω 1W J	酸化金属被膜抵抗		01
	HL314220	Metal Oxide Film Resistor	22Ω 1W J	酸化金属被膜抵抗		01
	HV353220	Flame Proof C.Resistor	2.2Ω 1/4W	不燃化カーボン抵抗		01
	HV353470	Flame Proof C.Resistor	4.7Ω 1/4W	不燃化カーボン抵抗		01
	HV454330	Flame Proof C.Resistor	33Ω 1/4W J	不燃化カーボン抵抗		01
	HV455100	Flame Proof C.Resistor	100Ω 1/4W J	不燃化カーボン抵抗		01
	HV455220	Flame Proof C.Resistor	220Ω 1/4W J	不燃化カーボン抵抗		01
	HV355270	Flame Proof C.Resistor	270Ω 1/4W	不燃化カーボン抵抗		01
	HV455330	Flame Proof C.Resistor	330Ω 1/4W J	不燃化カーボン抵抗		01
	HV456390	Flame Proof C.Resistor	3.9KΩ 1/4W J	不燃化カーボン抵抗		01
	HZ003600	Wire Wound Resistor	0.47Ω 5W K	セメント抵抗		02
	HM654100	Wire Wound Resistor	10Ω 5W	セメント抵抗		02
	VE404900	Positive Thermistor	PTH59F04BE471TS	温度検知用ボジスタ		04
	HT410370	Trimmer Potentiometer	B470 3P H1052A	半固定ボリューム		02
	FC023470	Mylar Cap.	0.047μ 100V K	マイラークонденサ		02
	FZ005200	Mylar Cap.	0.1μ 100V K	マイラークонденサ		01
	FZ005210	Mylar Cap.	0.22μ 100V K	マイラークонденサ		02
	FZ005220	Mylar Cap.	0.47μ 100V K	マイラークонденサ		02
	FJ197470	Electrolytic Cap.	47μ 100V	マイケミコン		02
	FJ298100	Electrolytic Cap.	100μ 100V	マイケミコン		03
	FU351220	Mica Cap.	22P 500V J	マイカコン		01
	FU351470	Mica Cap.	47P 500V J	マイカコン		01
	GD900580	Coil	2mH 19×24	空芯コイル		01
	KA907000	Thermostat Switch	1NT01F0459F6015	クリックソンスイッチ		
	VE946100	Thermal Reed Switch	OHD-80B	サーマルガード		
	KA000220	Thermal Reed Switch	OHD-85B	サーマルガード		06
	KC001410	Relay	JC2AD-DC24V	リレー		07
	LA005520	Speaker Terminal	2P #552	スピーカ端子	J,H	06
	LA005530	Speaker Terminal	2P #553	スピーカ端子	U,C	
	LB300300	Connectcon Wafer		スコネクトコネクタ		02
	VE625200	Circuit Board	PAB	PABシート	J,H	
	VE625300	Circuit Board	PAB	PABシート	U,C	
	IA097020	Transistor	2SA970 GR	トランジスタ		03
	IC181530	Transistor	2SC1815 GR	トランジスタ		03
	IC224020	Transistor	2SC2240 GR	トランジスタ		03
	IX801630	Transistor	2SA1142 P,Q	トランジスタ		03
	IX801640	Transistor	2SC2682 P,Q	トランジスタ		03
	IX801650	Transistor	2SA1516 R,O	トランジスタ		05
	IX801660	Transistor	2SC3907 R,O	トランジスタ		05
	IA096840	Transistor	2SA968B O,Y	トランジスタ		03
	IC223840	Transistor	2SC2238B O,Y	トランジスタ		03
	IF001400	Diode	1SS82	ダイオード		02
	VA240700	Diode	1SS176	ダイオード		01
	VC212700	Diode	3LZ61	ダイオード		03
	IF002140	Zener Diode	RD5.6EB2 5.6V	ツェナーダイオード		01
	HU575330	Metal Film Resistor	330Ω 1/4W F	金属被膜抵抗		02
	HU577120	Metal Film Resistor	12KΩ 1/4W F	金属被膜抵抗		02
	HL314100	Metal Oxide Film Resistor	10Ω 1W J	酸化金属被膜抵抗		01
	HL314220	Metal Oxide Film Resistor	22Ω 1W J	酸化金属被膜抵抗		01

\* New Parts (新規部品)

PC1602  
PC2602/PC2602M

Ref. No.	Part No.	Description	部 品 名	Remarks	ランク
	HL323470	Metal Oxide Film Resistor	4.7Ω 2W J	酸化金属被膜抵抗	01
	HV353220	Flame Proof C.Resistor	2.2Ω 1/4W	不燃化カーボン抵抗	01
	HV353470	Flame Proof C.Resistor	4.7Ω 1/4W	不燃化カーボン抵抗	01
	HV454330	Flame Proof C.Resistor	33Ω 1/4W J	不燃化カーボン抵抗	01
	HV455100	Flame Proof C.Resistor	100Ω 1/4W J	不燃化カーボン抵抗	01
	HV455220	Flame Proof C.Resistor	220Ω 1/4W J	不燃化カーボン抵抗	01
	HV355270	Flame Proof C.Resistor	270Ω 1/4W	不燃化カーボン抵抗	01
	HV455330	Flame Proof C.Resistor	330Ω 1/4W J	不燃化カーボン抵抗	01
	HV456390	Flame Proof C.Resistor	3.9KΩ 1/4W J	不燃化カーボン抵抗	01
	HZ003600	Wire Wound Resistor	0.47Ω 5W K	セメント抵抗	02
	HM654100	Wire Wound Resistor	10Ω 5W	セメント抵抗	02
	VE404900	Positive Thermister	PTH59F04BE471TS	温度検知用ボジスタ	04
	HT410370	Trimmer Potentiometer	B470 3P H1052A	半固定ボリューム	02
	FC023470	Mylar Cap.	0.047μ 100V K	マイラーコン	02
	FZ005200	Mylar Cap.	0.1μ 100V K	マイラーコン	01
	FZ005210	Mylar Cap.	0.22μ 100V K	マイラーコン	02
	FZ005220	Mylar Cap.	0.47μ 100V K	マイラーコン	02
	FJ197470	Electrolytic Cap.	47μ 100V	ケミコン	02
	FJ298100	Electrolytic Cap.	100μ 100V	ケミコン	03
	FU351220	Mica Cap.	22P 500V J	マイカコン	01
	FU351470	Mica Cap.	47P 500V J	マイカコン	01
	GD900580	Coil	2mH 19×24	空芯コイル	01
	KA907000	Thermostat Switch	1NT01F0459F6015	クリクソンスイッチ	
	VE946100	Thermal Reed Switch	OHD-80B	サーマルガード	
	KA000220	Thermal Reed Switch	OHD-85B	サーマルガード	06
	KC001410	Relay	JC2AD-DC24V	リレー	07
	LA005510	Speaker Terminal	2P #551	スピーカー端子	J, H U, C
	LA005540	Speaker Terminal	2P #554	スピーカー端子	J, H U, C
	LB300300	Connectcon Wafer		コネクタウエハー	02
	VE624800	Circuit Board	PS	PSシート	J
	VE626600	Circuit Board	PS	PSシート	U, C
	VE982900	Circuit Board	PS	PSシート	H
	IG063900	IC	μ PC7815H	IC	15V 1A
	IG077500	IC	μ PC7915H	IC	-15V 1A
	IH000030	Diode	10D1	ダイオード	03
	IH000390	Diode Stack	KBPC25-04	ダイオードスタック	09
	IH001400	Diode Stack	1G4B1 1.5A 400V	ダイオードスタック	03
	HL315100	Metal Oxide Film Resistor	100Ω 1W J	酸化金属被膜抵抗	01
	FH223470	Ceramic Cap.	0.0047μ 500V	セラコンE	01
	FZ000650	Mylar Cap.	0.01μ 630V	マイラーコン	02
	FJ298100	Electrolytic Cap.	100μ 100V	ケミコン	03
	FJ298470	Electrolytic Cap.	470μ 100V	ケミコン	04
	KB000330	Fuse	T1A 250V	ヒューズ	J
	KB000340	Fuse	1.5A 250V	ヒューズ	J
	KB001150	Fuse	T500mA 250V	ヒューズ	U, C
	KB001060	Fuse	T1A 250V	ヒューズ	U, C
	KB001590	Fuse	1.5A 250V	ヒューズ	U, C
	KB000710	Fuse	T500mA 250V S	ヒューズ	H
	KB001660	Fuse	T1.6A 250V S	ヒューズ	H
	KB001770	Fuse	T1A 250V S	ヒューズ	H
	LB201530	Fuse Holder	PC-FH1	ヒューズホルダー	01
	VE626400	Circuit Board	PRO	PROシート	PROTECTOR
	IG034800	IC	TA7317P	IC	04
	IC224020	Transistor	2SC2240 GR	トランジスタ	03
	IH000030	Diode	10D1	ダイオード	03
	VA240700	Diode	1SS176	ダイオード	01
	IF004440	LED	SLV-56URC3H RE	LED	THERM/PROTEC/PW
	VE739700	Rotary Pot.	20K	ロータリーボリューム	CHANNEL VOL. A/B
	VC208500	Relay	HD1-M-DC24V	リレー	05
	VE626500	Circuit Board	IND	INDシート	
	IA097020	Transistor	2SA970 GR	トランジスタ	03
	IC224020	Transistor	2SC2240 GR	トランジスタ	03
	VA240700	Diode	1SS176	ダイオード	01
	IF004440	LED	SLV-56URC3H RE	LED	CLIP A/B
	IF004450	LED	SLV-56MCHN GR	LED	SIGNAL A/B
	VE626100	Circuit Board	INPUT	INPUTシート	
	IG102500	IC	NE5532P	IC	OP AMP.
	IF005120	Diode Array	MC931 0.3A×2	ダイオードアレイ	06
	HU574470	Metal Film Resistor	47Ω 1/4W F	金属被膜抵抗	02
	HU595100	Metal Film Resistor	100Ω 1/4W	金属被膜抵抗	04
	HU577150	Metal Film Resistor	15KΩ 1/4W F	金属被膜抵抗	02
	HU577220	Metal Film Resistor	22KΩ 1/4W	金属被膜抵抗	02
	HU577330	Metal Film Resistor	33KΩ 1/4W F	金属被膜抵抗	
	HU577510	Metal Film Resistor	51KΩ 1/4W F	金属被膜抵抗	
	HU577820	Metal Film Resistor	82KΩ 1/4W F	金属被膜抵抗	02

PC1602  
PC2602/PC2602M



# POWER AMPLIFIER

# PC2602M

# PARTS LIST

## Notes DESTINATION ABBREVIATIONS

J : Japanese model	A : Australian model
U : U.S. model	E : European model
C : Canadian model	D : West German model
X : General model	B : British model
M : South African model	I : Indonesian model
H : North European model	

### • Circuit Boards Substitution

Model Circuit Boards	PC2602M	PC2602	PC1602
PAA	VE624900 (J, H) VE625100 (U, C)	←	VE625400 (J, H) VE625500 (U, C)
PAB	VE625200 (J, H) VE625300 (U, C)	←	VE625600 (J, H) VE625900 (U, C)
PS	VE624800 (J) VE626600 (U, C) VE982900 (H)	←	←
PRO	VE626400	←	←
INPUT	VE626100	←	VE626300
MT	VE627100		
CLIP	VE627200		
IND		VE626500	←

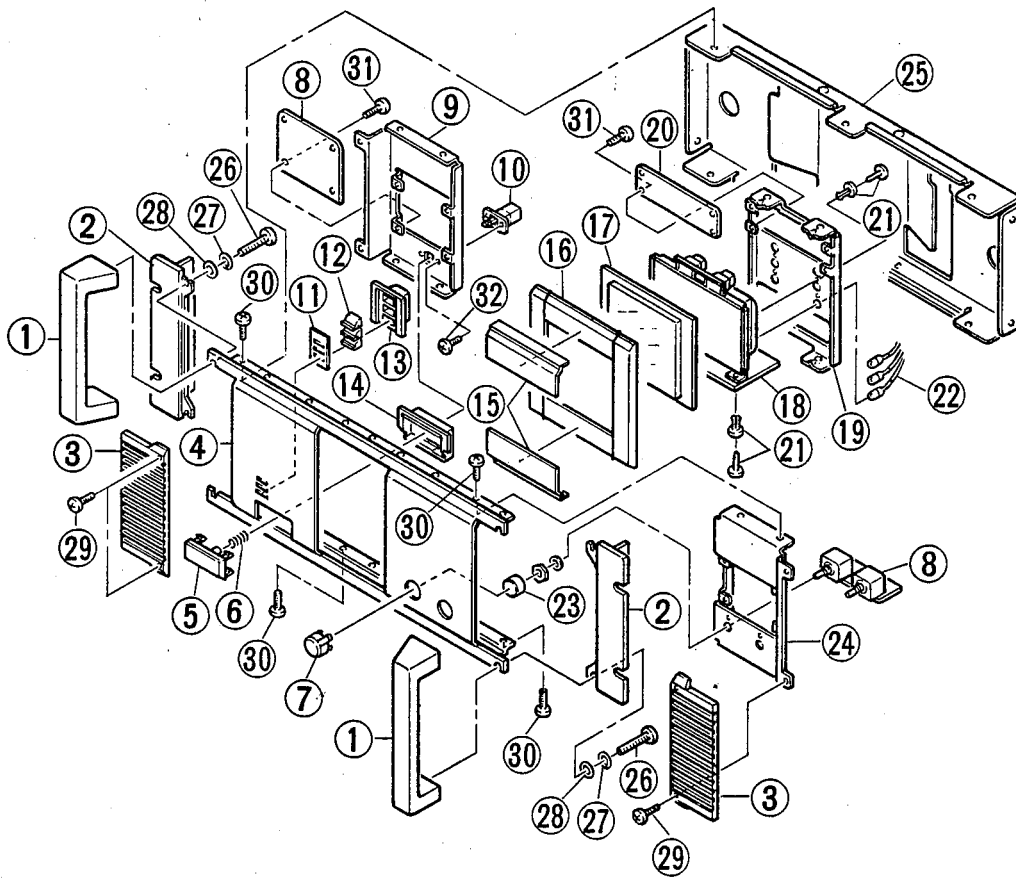


Ref. No.	Part No.	Description	部品名	Remarks	ランク
1	VE592300	Top Cover	トップカバー		
2	VE593200	Rear Panel	リアパネル	J	
2	VE593400	Rear Panel	リアパネル	U	
2	VE845400	Rear Panel	リアパネル	C	
2	VE593500	Rear Panel	リアパネル	H	
3	CB806640	Cord Reel	コードリール		04
4	LB202940	Fuse Holder	ヒューズホルダー	J, U, C	03
4	LB200590	Fuse Holder	ヒューズホルダー	H	06
5	VE592200	Cover, Fuse	ヒューズカバー	J, C	
6	CB806850	Cord Strain Relief	コードストッパ	J	02
6	VB669000	Cord Strain Relief	コードストッパ	U, C	
6	CB032840	Cord Strain Relief	コードストッパ	H	01
7	MG000610	AC Cord	電源コード	J	06
7	VC845700	AC Cord	電源コード	U, C	
7	MG001130	AC Cord	電源コード	H	
8	VE440500	Fan	ファン		
9	VE846400	Filter Net	フィルターネット		
10	VE846300	Filter	フィルター		
11	VE846200	Cover, Fan	ファンカバー		
12	VC318800	Plate, Voltage Selector	電圧切換板	H	01
13	VE845600	Cover, Speaker Channel	スピーカーチャンネルカバー	C	
14	VE626100	Circuit Board	INPUTシート		
15	CB810090	Insulated Nut	絶縁ナット		01
16	VE625200	Circuit Board	PABシート	J, H	
16	VE625300	Circuit Board	PABシート	U, C	
17	KA400740	Slide Switch	スライドスイッチ	H	VOLT. SELECT
18	CB040540	Holder, Wire	線止め		01
19	VD042100	Lug Terminal	束ラグ端子		02
20	VE624900	Circuit Board	PAAシート	J, H	
20	VE625100	Circuit Board	PAAシート	U, C	
21	VE592000	Side Board-L	側板(左)		
22	IL000690	Insulation Sheet	放射熱シート		01
23	IL000680	Insulation Sheet	放射熱シート		01
24	VE846100	Spacer	支柱		
25	VE592600	Radiator-L	ラジエーター(左)		
26	VE845200	Bottom Board-L	底板(左)		
27	VE592700	Radiator-R	ラジエーター(右)		
28	VE845300	Bottom Board-R	底板(右)		
29	CB806590	Foot	アンブレッグ		01
30	VE592100	Side Board-R	側板(右)		
31	VE624800	Circuit Board	PSシート	J	
31	VE626600	Circuit Board	PSシート	U, C	
31	VE982900	Circuit Board	PSシート	H	
32	VE592500	E.C. Plate	ケミコンプレート		
33	BB068540	Lug Terminal	ラグ端子		02
34	VE624600	Electrolytic Cap.	ケミコン		
35	AA803210	Holder, E.C.	ケミコンホルダー		04
36	CB828170	Rubber	防振ゴム		01
37	XD128A00	Power Transformer	電源トランス	J	
37	XD129A00	Power Transformer	電源トランス	U, C	
37	XD130A00	Power Transformer	電源トランス	H	
38	VE592400	Chassis, Transformer	トランスシャーシ		
39		Front Panel Assembly	フロントパネル Ass'y		
40	E1340086	Bind Head Tapping Screw	ハインドタッピングネジ		01
41	EV403046	Toothed Lock Washer	歯付座金内歯形		01
42	E1340126	Bind Head Tapping Screw	ハインドタッピングネジ		01
43	E1340106	Bind Head Tapping Screw	ハインドタッピングネジ		01
44	ED330106	Bind Head Screw	ハインド小ネジ		01
45	EV413036	Toothed Lock Washer	歯付座金内歯形		01
46	ED330066	Bind Head Screw	ハインド小ネジ		01
47	EV423036	Toothed Lock Washer	歯付座金外歯形		01
48	E1330086	Bind Head Tapping Screw	ハインドタッピングネジ		01
49	ED340356	Bind Head Screw	ハインド小ネジ		01
50	EV303406	Spring Washer	バネ座金		01
51	EV203046	Flat Washer	平座金		01
52	EX800490	Cap Screw	六角穴付ボルト		
53	LX200060	Hexagonal Nut	六角ナット		01
54	LX200010	Flat Washer	特殊平座金		01
55	EA030086	Pan Head Screw	ナベ小ネジ		01
56	EV300036	Spring Washer	バネ座金		01
57	EA030126	Pan Head Screw	ナベ小ネジ		01
58	EV200036	Flat Washer	平座金		01
59	E1340166	Bind Head Tapping Screw	ハインドタッピングネジ		01
60	EV423046	Toothed Lock Washer	歯付座金外歯形		01
61	ED340066	Bind Head Screw	ハインド小ネジ		01
62	ED340086	Bind Head Screw	ハインド小ネジ		01
63	ED340106	Bind Head Screw	ハインド小ネジ		01
64	ED350086	Bind Head Screw	ハインド小ネジ		01
65	EV433056	Toothed Lock Washer	歯付座金内外歯形		01

\* New Parts (新規部品)

PC1602  
PC2602/PC2602M

FRONT PANEL ASSEMBLY (PC2602M)



Ref. No.	Part No.	Description	部品名	Remarks	ランク
1	VE593900	Handle	アンブハンドル		
2	VE593800	Mount Angle	マウントアングル		
3	VE255600	Grille	グリル		
4	VE593700	Front Panel	フロントパネル		
5	VE027600	Knob, Power Switch	パワーボタン		03
6	AA617880	Spring	スプリング	CO A-750	01
7	VF379000	Knob Cap	ノブキャップ		
8	VE626400	Circuit Board	PRO P R O シート		
9	VE592800	Sub Panel-S	サブパネル (S)		
10	KA804970	Push Switch	ESB-99119R-F プッシュスイッチ	J POWER	06
10	KA804980	Push Switch	ESB-9933T-F プッシュスイッチ	U.C POWER	
10	KA804990	Push Switch	ESB-9917S-F プッシュスイッチ	H POWER	
11	VE844300	Spacer-L	スペースサ (L)		
12	CB630020	Lens	レンズ		
13	VE440600	Reflector-L	リフレクター (L)		
14	VE593100	Escutcheon, Power Switch	パワーボタン枠		
15	VE594200	Panel Sash	パネルサッション		
16	VE437800	Escutcheon-M	エスカッション (M)		
17	VE594300	Meter Panel	メーターパネル		
18	VE627100	Circuit Board	MT M T シート		
19	VE845000	Sub Panel-M	サブパネル (M)		
20	VE627200	Circuit Board	CLIP C L I P シート		
21	CB068880	Plastic Rivet	プラスチックリベット		
22	VE627700	Lamp Assembly	ランプアッシー		
23	VE027700	Knob	ノブ		02
24	VE845100	Sub Panel-V	サブパネル (V)		
25	VE592900	Sub Panel-A	サブパネル (A)		
26	ED350166	Bind Head Screw	5.0×16 ZMC2BL バインド小ネジ		01
27	EV303056	Spring Washer	φ5.0 FCM3BL バイン座金		01
28	EV203056	Flat Washer	φ5.0 FCM3BL 平座金		01
29	ED330086	Bind Head Screw	3.0×8 FCM3BL バインド小ネジ		01
30	EI340086	Bind Head Tapping Screw	4.0×8 FCM3BL バインドタッピングネジ		01
31	EI330086	Bind Head Tapping Screw	3.0×8 FCM3BL バインドタッピングネジ		01
32	ED330066	Bind Head Screw	3.0×6 FCM3BL バインド小ネジ		01

\* New Parts (新規部品)

ランク: Japan only

PC1602  
PC2602/PC2602M



**ELECTRICAL PARTS (PC2602M)**

Ref. No.	Part No.	Description	部 品 名	Remarks	ランク	
	VE624900	Circuit Board	PAA	P A A シ ー ト	J, H	
	VE625100	Circuit Board	PAA	P A A シ ー ト	U, C	
	VE625200	Circuit Board	PAB	P A B シ ー ト	J, H	
	VE625300	Circuit Board	PAB	P A B シ ー ト	U, C	
	VE624800	Circuit Board	PS	P S シ ー ト	J	
	VE626600	Circuit Board	PS	P S シ ー ト	U, C	
	VE982900	Circuit Board	PS	P S シ ー ト	H	
	VE626400	Circuit Board	PRO	P R O シ ー ト		
	VE626100	Circuit Board	INPUT	I N P U T シ ー ト		
	VE627100	Circuit Board	MT	M T シ ー ト		
	VE627200	Circuit Board	CLIP	C L I P シ ー ト		
	VE624900	Circuit Board	PAA	P A A シ ー ト	J, H	
	VE625100	Circuit Board	PAA	P A A シ ー ト	U, C	
	IA097020	Transistor	2SA970 GR	ト ラ ン ジ ャ タ		03
	IC181530	Transistor	2SC1815 GR	ト ラ ン ジ ャ タ		03
	IC224020	Transistor	2SC2240 GR	ト ラ ン ジ ャ タ		03
	IX801630	Transistor	2SA1142 P,Q	ト ラ ン ジ ャ タ		03
	IX801640	Transistor	2SC2682 P,Q	ト ラ ン ジ ャ タ		03
	IX801650	Transistor	2SA1516 R,O	ト ラ ン ジ ャ タ		05
	IX801660	Transistor	2SC3907 R,O	ト ラ ン ジ ャ タ		05
	IA096840	Transistor	2SA9688 O,Y	ト ラ ン ジ ャ タ		03
	IC223840	Transistor	2SC2238B O,Y	ト ラ ン ジ ャ タ		03
	IF001400	Diode	1SS82	ダ イ オ ー ド		02
	VA240700	Diode	1SS176	ダ イ オ ー ド		01
	VC212700	Diode	3LZ61	ダ イ オ ー ド		03
	IF002140	Zener Diode	RD5.6EB2 5.6V	ツ ェ ナ ー		01
	HU575330	Metal Film Resistor	330Ω 1/4W F	金 属 被 膜 抵 抗		02
	HU577120	Metal Film Resistor	12KΩ 1/4W F	金 属 被 膜 抵 抗		02
	HL323470	Metal Oxide Film Resistor	4.7Ω 2W J	酸 化 金 属 被 膜 抵 抗		01
	HL314100	Metal Oxide Film Resistor	10Ω 1W J	酸 化 金 属 被 膜 抵 抗		01
	HL314220	Metal Oxide Film Resistor	22Ω 1W J	酸 化 金 属 被 膜 抵 抗		01
	HV353220	Flame Proof C.Resistor	2.2Ω 1/4W	不 燃 化 学 物 質 抵 抗		01
	HV353470	Flame Proof C.Resistor	4.7Ω 1/4W	不 燃 化 学 物 質 抵 抗		01
	HV454330	Flame Proof C.Resistor	33Ω 1/4W J	不 燃 化 学 物 質 抵 抗		01
	HV455100	Flame Proof C.Resistor	100Ω 1/4W J	不 燃 化 学 物 質 抵 抗		01
	HV455220	Flame Proof C.Resistor	220Ω 1/4W J	不 燃 化 学 物 質 抵 抗		01
	HV355270	Flame Proof C.Resistor	270Ω 1/4W	不 燃 化 学 物 質 抵 抗		01
	HV455330	Flame Proof C.Resistor	330Ω 1/4W J	不 燃 化 学 物 質 抵 抗		01
	HV456390	Flame Proof C.Resistor	3.9KΩ 1/4W J	不 燃 化 学 物 質 抵 抗		01
	HZ003600	Wire Wound Resistor	0.47Ω 5W K	セ メ ン ト 抵 抗		02
	HM654100	Wire Wound Resistor	10Ω 5W	セ メ ン ト 抵 抗		02
	VE404900	Positive Thermistor	PTH59F04BE471TS	温 度 検 知 用		04
	HT410370	Trimmer Potentiometer	B470 3P H1052A	半 導 体 可 変 抵 抗		02
	FC023470	Mylar Cap.	0.047μ 100V K	マ イ ラ ー コ ン		02
	FZ005200	Mylar Cap.	0.1μ 100V K	マ イ ラ ー コ ン		01
	FZ005210	Mylar Cap.	0.22μ 100V K	マ イ ラ ー コ ン		02
	FZ005220	Mylar Cap.	0.47μ 100V K	マ イ ラ ー コ ン		02
	FJ197470	Electrolytic Cap.	47μ 100V	ケ ミ コ ン		02
	FJ298100	Electrolytic Cap.	100μ 100V	ケ ミ コ ン		03
	FU351220	Mica Cap.	22P 500V J	マ イ カ コ ン		01
	FU351470	Mica Cap.	47P 500V J	マ イ カ コ ン		01
	GD900580	Coil	2mH 19×24	空 心 コ イ ル		01
	KA907000	Thermostat Switch	1NT01F0459F6015	サ ー マ ル ガ ー ド		
	VE946100	Thermal Reed Switch	OHD-80B	サ ー マ ル ガ ー ド		
	KA000220	Thermal Reed Switch	OHD-85B	サ ー マ ル ガ ー ド		06
	KC001410	Relay	JC2AD-DC24V	リレー		07
	LA005520	Speaker Terminal	2P #552	ス ピ ー カ ー 端 子	J, H	06
	LA005530	Speaker Terminal	2P #553	ス ピ ー カ ー 端 子	U, C	
	LB300300	Connectcon Wafer		コ ン ネ ク ト ユ ニ ッ ト		02
	VE625200	Circuit Board	PAB	P A B シ ー ト	J, H	
	VE625300	Circuit Board	PAB	P A B シ ー ト	U, C	
	IA097020	Transistor	2SA970 GR	ト ラ ン ジ ャ タ		03
	IC181530	Transistor	2SC1815 GR	ト ラ ン ジ ャ タ		03
	IC224020	Transistor	2SC2240 GR	ト ラ ン ジ ャ タ		03
	IX801630	Transistor	2SA1142 P,Q	ト ラ ン ジ ャ タ		03
	IX801640	Transistor	2SC2682 P,Q	ト ラ ン ジ ャ タ		03
	IX801650	Transistor	2SA1516 R,O	ト ラ ン ジ ャ タ		05
	IX801660	Transistor	2SC3907 R,O	ト ラ ン ジ ャ タ		05
	IA096840	Transistor	2SA9688 O,Y	ト ラ ン ジ ャ タ		03
	IC223840	Transistor	2SC2238B O,Y	ト ラ ン ジ ャ タ		03
	IF001400	Diode	1SS82	ダ イ オ ー ド		02
	VA240700	Diode	1SS176	ダ イ オ ー ド		01
	VC212700	Diode	3LZ61	ダ イ オ ー ド		03
	IF002140	Zener Diode	RD5.6EB2 5.6V	ツ ェ ナ ー		01
	HU575330	Metal Film Resistor	330Ω 1/4W F	金 属 被 膜 抵 抗		02
	HU577120	Metal Film Resistor	12KΩ 1/4W F	金 属 被 膜 抵 抗		02
	HL314100	Metal Oxide Film Resistor	10Ω 1W J	酸 化 金 属 被 膜 抵 抗		01

\* New Parts (新規部品)

PC1602  
PC2602/PC2602M

Ref. No.	Part No.	Description	部品名	Remarks	ランク
	HL314220	Metal Oxide Film Resistor	22Ω 1W J	酸化金属被膜抵抗	01
	HL323470	Metal Oxide Film Resistor	4.7Ω 2W J	酸化金属被膜抵抗	01
	HV353220	Flame Proof C.Resistor	2.2Ω 1/4W	不燃化カーボン抵抗	01
	HV353470	Flame Proof C.Resistor	4.7Ω 1/4W	不燃化カーボン抵抗	01
	HV454330	Flame Proof C.Resistor	33Ω 1/4W J	不燃化カーボン抵抗	01
	HV455100	Flame Proof C.Resistor	100Ω 1/4W J	不燃化カーボン抵抗	01
	HV455220	Flame Proof C.Resistor	220Ω 1/4W J	不燃化カーボン抵抗	01
	HV355270	Flame Proof C.Resistor	270Ω 1/4W	不燃化カーボン抵抗	01
	HV455330	Flame Proof C.Resistor	330Ω 1/4W J	不燃化カーボン抵抗	01
	HV456390	Flame Proof C.Resistor	3.9KΩ 1/4W J	不燃化カーボン抵抗	01
	HZ003600	Wire Wound Resistor	0.47Ω 5W K	セメント抵抗	02
	HM654100	Wire Wound Resistor	10Ω 5W	セメント抵抗	02
	VE404900	Positive Thermister	PTH59F04BE471TS	温度検知用抵抗	04
	HT410370	Trimmer Potentiometer	B470 3P H1052A	半固定ボリューム	02
	FC023470	Mylar Cap.	0.047μ 100V K	マイラーコン	02
	FZ005200	Mylar Cap.	0.1μ 100V K	マイラーコン	01
	FZ005210	Mylar Cap.	0.22μ 100V K	マイラーコン	02
	FZ005220	Mylar Cap.	0.47μ 100V K	マイラーコン	02
	FJ197470	Electrolytic Cap.	47μ 100V	ケミコン	02
	FJ298100	Electrolytic Cap.	100μ 100V	ケミコン	03
	FU351220	Mica Cap.	22P 500V J	マイカコン	01
	FU351470	Mica Cap.	47P 500V J	マイカコン	01
	GD900580	Coil	2mH 19×24	空芯コイル	01
	KA907000	Thermostat Switch	1NT01F0459F6015	クリソルスイッチ	
	VE946100	Thermal Reed Switch	OHD-80B	サーマルガード	
	KA000220	Thermal Reed Switch	OHD-85B	サーマルガード	06
	KC001410	Relay	JC2AD-DC24V	リレー	07
	LA005510	Speaker Terminal	2P #551	スピーカー端子	06
	LA005540	Speaker Terminal	2P #554	スピーカー端子	U.C
	LB300300	Connecton Wafer		コネクタウエハー	02
	VE624800	Circuit Board	PS	PSシート	J
	VE626600	Circuit Board	PS	PSシート	U.C
	VE982900	Circuit Board	PS	PSシート	H
	IG063900	IC	μ PC7815H	IC	15V 1A
	IG077500	IC	μ PC7915H	IC	-15V 1A
	IH000030	Diode	10D1	ダイオード	03
	IH000390	Diode Stack	KBPC25-04	ダイオードスタック	09
	IH001400	Diode Stack	1G4B1 1.5A 400V	ダイオードスタック	03
	HL315100	Metal Oxide Film Resistor	100Ω 1W J	酸化金属被膜抵抗	01
	FH223470	Ceramic Cap.	0.0047μ 500V	セラミックコン	01
	FZ000650	Mylar Cap.	0.01μ 630V	マイラーコン	02
	FJ298100	Electrolytic Cap.	100μ 100V	ケミコン	03
	FJ298470	Electrolytic Cap.	470μ 100V	ケミコン	04
	KB000330	Fuse	T1A 250V	ヒューズ	01
	KB000340	Fuse	1.5A 250V	ヒューズ	J
	KB001150	Fuse	T500mA 250V	ヒューズ	U.C
	KB001060	Fuse	T1A 250V	ヒューズ	U.C
	KB001590	Fuse	1.5A 250V	ヒューズ	U.C
	KB000710	Fuse	T500mA 250V S	ヒューズ	H
	KB001660	Fuse	T1.6A 250V S	ヒューズ	H
	KB001770	Fuse	T1A 250V S	ヒューズ	H
	LB201530	Fuse Holder	PC-FH1	ヒューズホルダー	01
	VE626400	Circuit Board	PRO	PROシート	
	IG034800	IC	TA7317P	IC	PROTECTOR
	1C224020	Transistor	2SC2240 GR	トランジスタ	03
	IH000030	Diode	10D1	ダイオード	03
	VA240700	Diode	ISS176	ダイオード	01
	IF004440	LED	SLV-56URC3H RE	LED	THERM/PROTEC/PW
	VE739700	Rotary Pot.	20K	ロータリーボリューム	CHANNEL VOL.A/B
	VC208500	Relay	HD1-M-DC24V	リレー	05
	VE626100	Circuit Board	INPUT	INPUTシート	
	IG102500	IC	NE5532P	IC	OP AMP.
	IF005120	Diode Array	MC931 0.3A×2	ダイオードアレイ	01
	HU574470	Metal Film Resistor	47Ω 1/4W F	金属被膜抵抗	02
	HU595100	Metal Film Resistor	100Ω 1/4W	金属被膜抵抗	04
	HU577150	Metal Film Resistor	15KΩ 1/4W F	金属被膜抵抗	02
	HU577220	Metal Film Resistor	22KΩ 1/4W F	金属被膜抵抗	02
	HU577330	Metal Film Resistor	33KΩ 1/4W F	金属被膜抵抗	
	HU577510	Metal Film Resistor	51KΩ 1/4W F	金属被膜抵抗	
	HU577820	Metal Film Resistor	82KΩ 1/4W F	金属被膜抵抗	02
	FU351100	Mica Cap.	10P 500V J	マイカコン	01
	FU351470	Mica Cap.	47P 500V J	マイカコン	01
	KA401280	Slide Switch	SSP32204	スライドスイッチ	PIN-1 GND/MODE
	LB302070	Phone Jack	HLJ0544	ホンジャック	STEREO
	LB302320	Cannon Jack	XLB-3-3	キャノンジャック	07
	LB302340	Cannon Jack	XLB-3-3	キャノンジャック	06

PC1602  
PC2602/PC2602M







