

# DIGITAL MULTI-EFFECT PROCESSER

# SPX900

## SERVICE MANUAL



SPX900

### ■ CONTENTS (目次)

SPECIFICATIONS (総合仕様).....	2
CIRCUIT BOARD LAYOUT & WIRING (ユニットレイアウト&結線図).....	4
PANEL LAYOUT (パネルレイアウト).....	6
BLOCK DIAGRAM (ブロックダイアグラム).....	7
DIMENSIONS (寸法図).....	7
LSI DATA TABLE (LSI端子機能表).....	8
IC BLOCK DIAGRAM (ICブロック図).....	11
DISASSEMBLY PROCEDURE (分解手順).....	13
CIRCUIT BOARDS (シート基板図).....	16
CHECKS & ADJUSTMENTS (検査と調整).....	20/22
TEST PROGRAM (テストプログラム).....	24
MIDI DATA FORMAT (MIDIデータフォーマット).....	29/38
MIDI IMPLEMENTATION CHART.....	44
EFFECT MODE (エフェクトモード).....	45
PARTS LIST	

## IMPORTANT NOTICE

This manual has been provided for the use of authorized Yamaha Retailers and their service personnel. It has been assumed that basic service procedures inherent to the industry, and more specifically Yamaha Products, are already known and understood by the users, and have therefore not been restated.

**WARNING:** Failure to follow appropriate service and safety procedures when servicing this product may result in personal injury, destruction of expensive components and failure of the product to perform as specified. For these reasons, we advise all Yamaha product owners that all service required should be performed by an authorized Yamaha Retailer or the appointed service representative.

**IMPORTANT:** The presentation or sale of this manual to any individual or firm does not constitute authorization, certification, recognition of any applicable technical capabilities, or establish a principle-agent relationship of any form.

The data provided is believed to be accurate and applicable to the unit(s) indicated on the cover. The research, engineering, and service departments of Yamaha are continually striving to improve Yamaha products. Modifications are, therefore, inevitable and changes in specification are subject to change without notice or obligation to retrofit. Should any discrepancy appear to exist, please contact the distributor's Service Division.

**WARNING:** Static discharges can destroy expensive components. Discharge any static electricity your body may have accumulated by grounding yourself to the ground buss in the unit (heavy gauge black wires connect to this buss).

**IMPORTANT:** Turn the unit OFF during disassembly and parts replacement. Recheck all work before you apply power to the unit.

This product uses a lithium battery for memory back-up.

**WARNING:** Lithium batteries are dangerous because they can be exploded by improper handling. Observe the following precautions when handling or replacing lithium batteries.

- Leave lithium battery replacement to qualified service personnel.
- Always replace with batteries of the same type.
- When installing on the PC board, solder using the connection terminals provided on the battery cells. Never solder directly to the cells. Perform the soldering as quickly as possible.
- Never reverse the battery polarities when installing.
- Do not short the batteries.
- Do not attempt to recharge these batteries.
- Do not disassemble the batteries.
- Never heat batteries or throw them into fire.

### ADVARSEL!

Lithiumbatteri. Eksplosionsfare.

Udskiftning må kun foretages af en sagkyndig, og som beskrevet i servicemanualen.

## ■ SPECIFICATIONS

### ELECTRICAL CHARACTERISTICS

FREQ. RESPONSE	20Hz ~ 20kHz
DYNAMIC RANGE	90dBm (TYPICAL)
DISTORTION	0.03% (@1kHz)

### INPUT

NUMBER OF CHANNEL	UNBALANCED × 1 (PHONE JACK)
NOMINAL LEVEL	+4/-20dBm SWITCHABLE
IMPEDANCE	50KΩ
LEVEL CONTROL	ROTARY CONTINUOUS

### A/D CONVERSION

NUMBER OF CHANNELS	2 (AD CONVERTER X1)
SAMPLING FREQ.	44.1KHz
QUANTIZATION	16bits

### D/A CONVERSION

NUMBER OF CHANNELS	2
SAMPLING FREQ.	44.1KHz
QUANTIZATION	16bits

### OUTPUT

NUMBER OF CHANNEL	UNBALANCED X2 (PHONE JACK)
NOMINAL LEVEL	+4/-20dBm SWITCHABLE
IMPEDANCE	220Ω

### MEMORY

PRESETS (ROM)	1 ~ 50
USER MEMORY (RAM)	51 ~ 99

### MIDI CONTROL

PROGRAM CHANGE (MEMORY SELECT)  
NOTE ON (MIDI BASE KEY SELECT)  
CONTROL CHANGE  
BUKDUMP & LOAD (PARAMETER DUMP)

### FRONT PANEL

CONTROLS  
KEYS

INPUT LEVEL  
PARAM. INC/DEC, PARAMETER, SCROLL BACK,  
LEVEL, EQ, INT. PARAM, EXT CTRL ASSIGN  
SOTRE, MEMORY INC/DEC, RECALL, UTILITY, TRIGGER, BYPASS  
16 CHARA. X2 LINE LCD  
2 DIGIT 7 SEGMENT LED (MEM#)  
7 SEGMENT LED (LEVEL METER)  
EXT CTRL/FOOT VOL JACK X2

DISPLAY

CONNECTORS

### REAR PANEL

CONNECTORS

INPUT (PHONE JACK × 1)  
OUTPUT (PHONE JACK X 2)  
MIDI IN, THRU/OUT (DIN 5P X 2)  
TRIGGER SW (PHONE JACK)  
MEMORY INC/DEC (PHONE JACK)  
BYPASS (PHONE JACK)  
REMOTE (DIN 6P × 1)  
INPUT/OUTPUT LEVEL SW  
MIDI THRU/OUT SW

SWITCH

### GENERAL

POWER SUPPLY

US & CANADA: 120V, 60Hz, 20W  
GENERAL: 220-240V, 50/60Hz, 20W

DIMENSIONS (W X H X D)

480 X 45.2 X 315 (mm)

• 0dB = 0.775V<sub>r.m.s</sub>

## ■ 総合仕様

### 電気的性能

周波数特性	20Hz~20kHz
ダイナミックレンジ	90dB (ディレイモード, TYPICAL)
歪率	0.03% (@1KHz)

### 入力

チャンネル数	1ch
入力レベル	+4/-20dBm
入力インピーダンス	50K $\Omega$

### 出力

チャンネル数	2ch
出力レベル	+4/-20dBm
出力インピーダンス	220 $\Omega$

### AD/DA変換

チャンネル数	AD1ch、DA2ch
サンプリング周波数	44.1kHz
量子化ビット数	16ビット(エンファシス50 $\mu$ s/15 $\mu$ s)

### メモリー

プリセットプログラム	1~50
ユーザプログラム	51~99

### MIDIコントロール

プログラムチェンジ	メモリーセレクト
ノートオン	ピッチセレクト
コントロールチェンジ	パラメータコントロール
バルクダンブ	メモリーパラメータ送/受信
	プログラムチェンジ対応表
	コントロールアサインテーブル
	ユーザー ER パターン
	システムセットアップデータ

### フロントパネル

コントロールキー	インプットレベル パラメータ $\Delta$ $\nabla$ 、SCROLL BACK、 PARAM、EQ、INT. PARAM、 LEVEL、EXTCTRL ASSIGN、メモリー $\Delta$ $\nabla$ 、 RECALL、STORE、UTILITY、 TRIGGER、BYPASS
表示	16文字 $\times$ 2行LCD(LED照明付き) 2桁7セグメントLED(メモリーナンバー) 7素子LED(レベルメータ)
コネクター	外部コントローラー用ジャック $\times$ 2

### リアパネル

コネクター	INPUT (ホーンジャック $\times$ 1) OUTPUT L/R(ホーンジャック $\times$ 2) MIDI IN、THRU/OUT (5P DIN $\times$ 2) TRIGGER (SW) (ホーンジャック) MEMORY INC/DEC (ホーンジャック) BYPASS(ホーンジャック) REMOTE (6P DIN)
スイッチ	インプットレベルスイッチ アウトプットレベルスイッチ MIDI THRU/OUTスイッチ

### 電源、消費電力

AC100V、50/60HZ、16W

### 寸法

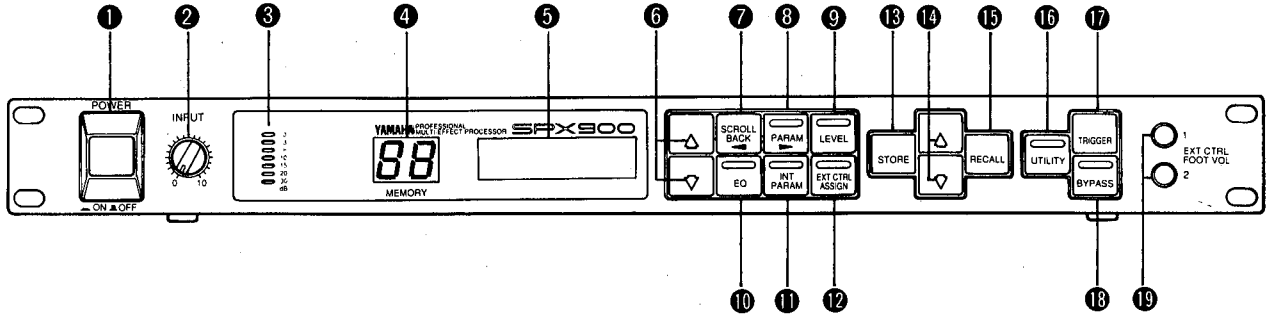
480(H) $\times$ 45.2(H) $\times$ 315(D)

### 重量

4.4kg

## ■ PANEL LAYOUT (パネルレイアウト)

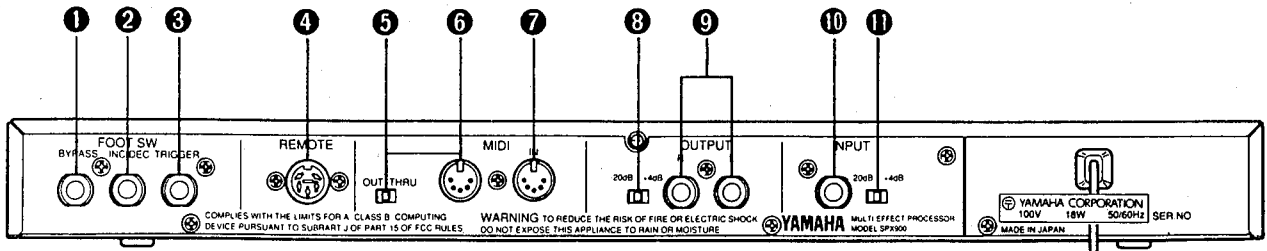
### ● Front Panel (フロントパネル)



- ① POWER Switch
- ② INPUT Level Control
- ③ INPUT Level Meter
- ④ LED Memory Number Display
- ⑤ LCD
- ⑥ Parameter ↑ and ↓ Keys
- ⑦ SCROLL BACK Key
- ⑧ PARAMETER Key
- ⑨ LEVEL Key
- ⑩ EQ Key
- ⑪ INT PARAMETER Key
- ⑫ EXT CTRL ASSIGN Key
- ⑬ STORE Key
- ⑭ Program Select ↑ and ↓ Keys
- ⑮ RECALL key
- ⑯ UTILITY Key
- ⑰ TRIGGER Key
- ⑱ BYPASS Key
- ⑲ EXT CTRL/FOOT VOL 1 and 2 Jacks

- ① POWERスイッチ
- ② INPUTレベルコントロール
- ③ INPUTレベルメーター
- ④ MEMORY No. ディスプレイ
- ⑤ LCD
- ⑥ PARAMETER アップ/ダウンキー
- ⑦ SCROLL BACKキー
- ⑧ PARAMETERキー
- ⑨ LEVEL/BALANCE 設定キー
- ⑩ EQキー
- ⑪ INT PARAMETERキー
- ⑫ EXT CTRL ASSIGNキー
- ⑬ STOREキー
- ⑭ メモリー No. アップ/ダウンキー
- ⑮ RECALL キー
- ⑯ UTILITYキー
- ⑰ TRIGGERキー
- ⑱ BYPASSキー
- ⑲ エクスターナルコントローラー/フットコントローラー入力端子

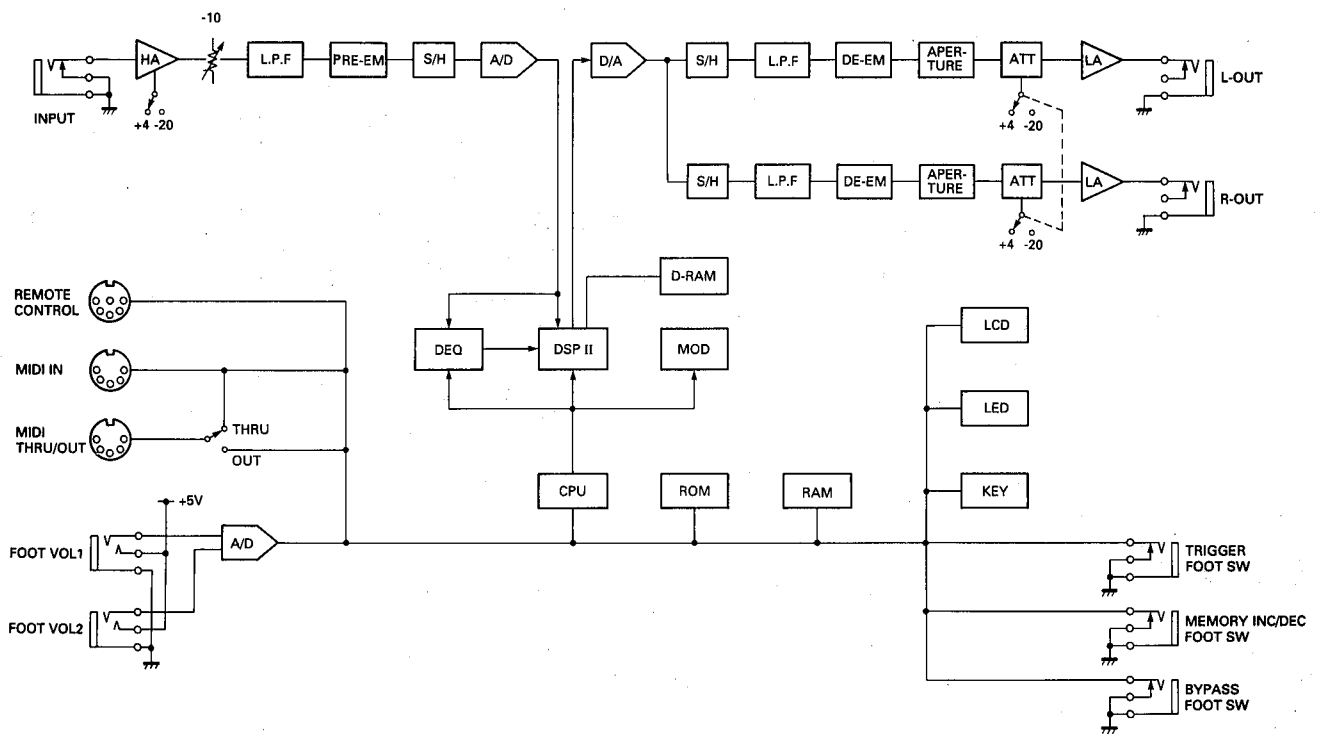
### ● Rear Panel (リアパネル)



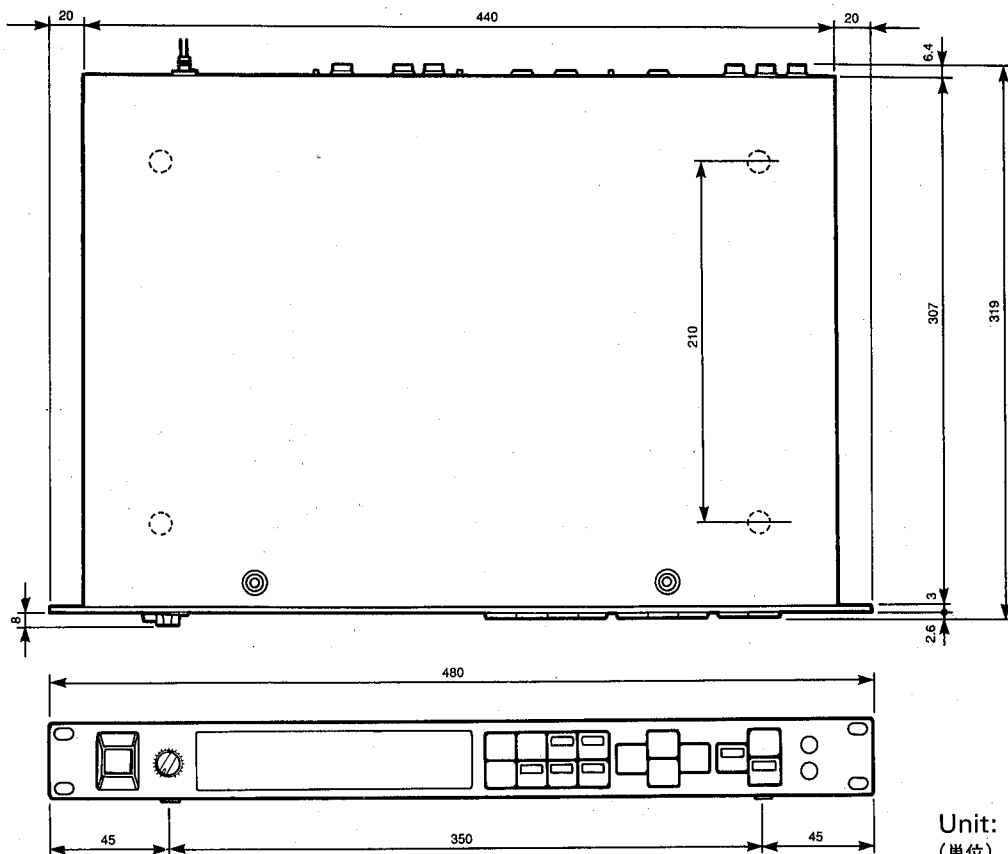
- ① BYPASS Foot Switch Jack
- ② INC/DEC Foot Switch Jack
- ③ TRIGGER Foot Switch Jack
- ④ REMOTE Connector
- ⑤ MIDI OUT/THRU Switch
- ⑥ MIDI OUT/THRU Terminal
- ⑦ MIDI IN Terminal
- ⑧ OUTPUT Level Switch
- ⑨ R & L OUTPUT Connectors
- ⑩ INPUT Connector
- ⑪ INPUT Level Switch

- ① バイパス用フットSW端子
- ② メモリー No. 切替用フットSW端子
- ③ TRIGGER用フットSW端子
- ④ REMOTE 端子
- ⑤ MIDI OUT/THRU 切替スイッチ
- ⑥ MIDI OUT or THRU 端子
- ⑦ MIDI IN 端子
- ⑧ 出力レベル切替スイッチ
- ⑨ 出力端子
- ⑩ 入力端子
- ⑪ 入力レベル切替スイッチ

**BLOCK DIAGRAM (ブロックダイアグラム)**



**DIMENSIONS (寸法図)**



Unit: mm  
(単位)

■ LSI DATA TABLE (LSI 端子機能表)

• HD6303RP (IG1093500) CPU

Pin No.	Name	I/O	Function	Pin No.	Name	I/O	Function
1	V <sub>SS</sub>	I	Ground	21	V <sub>CC</sub>	I	Power Supply (+5V)
2	XTAL	I		Clock	22	A15	
3	EXTAL	I	Non-maskable Interrupt		23	A14	O
4	NMI	I		Interrupt Request	24	A13	O
5	IRQ	I	Reset		25	A12	O
6	RESET	I		Stand-by mode Signal	26	A11	O
7	STBY	I	Port		27	A10	O
8	P20	I/O		Port	28	A9	O
9	P21	I/O	Port		29	A8	O
10	P22	I/O		Port	30	D7/A7	I/O
11	P23	I/O	Port		31	D6/A6	I/O
12	P24	I/O		Port	32	D5/A5	I/O
13	A0/P10	I/O	Port		33	D4/A4	I/O
14	A1/P11	I/O		Port	34	D3/A3	I/O
15	A2/P12	I/O	Port		35	D2/A2	I/O
16	A3/P13	I/O		Port	36	D1/A1	I/O
17	A4/P14	I/O	Port		37	D0/A0	I/O
18	A5/P15	I/O		Port	38	R/W	I
19	A6/P16	I/O	Port		39	AS	O
20	A7/P17	I/O		Port	40	E	I

• HD63B50P (IG147300) Asynchronous Communications Interface Adapter

Pin No.	Name	I/O	Function	Pin No.	Name	I/O	Function
1	V <sub>SS</sub>	I	DC supply 0V	13	R/W	I	Read/Write
2	RXD	I	Receive data	14	E	I	Enable
3	RXC	I	Receive clock	15	D7	I/O	Data bus
4	TXC	O	Transmit clock	16	D6	I/O	
5	RTS	I/O	Request to send	17	D5	I/O	Data bus
6	TXD	O	Transmit data	18	D4	I/O	
7	IRQ	I	Interrupt request	19	D3	I/O	Data bus
8	CS0	I	Chip select	20	D2	I/O	
9	CS2	I		Chip select	21	D1	I/O
10	CS1	I	Resist select		22	D0	I/O
11	RS	I		Resist select	23	DCD	I
12	V <sub>CC</sub>	I	DC supply (+5.0V)		24	CTS	I

• HD63B21P (XB258001) Peripheral Interface Adapter

PIN No.	NAME	I/O	FUNCTION	PIN No.	NAME	I/O	FUNCTION
1	V <sub>SS</sub>	I	Ground	21	R/W	I	Read/Write Control
2	PA <sub>0</sub>	I		Peripheral Data Bus (port A)	22	CS <sub>0</sub>	
3	PA <sub>1</sub>	I	Peripheral Data Bus (port A)		23	CS <sub>2</sub>	I
4	PA <sub>2</sub>	I		Peripheral Data Bus (port A)	24	CS <sub>1</sub>	I
5	PA <sub>3</sub>	I	Peripheral Data Bus (port A)		25	E	I
6	PA <sub>4</sub>	I		Peripheral Data Bus (port A)	26	D7	I/O
7	PA <sub>5</sub>	I	Peripheral Data Bus (port A)		27	D6	I/O
8	PA <sub>6</sub>	I		Peripheral Data Bus (port A)	28	D5	I/O
9	PA <sub>7</sub>	I	Peripheral Data Bus (port A)		29	D4	I/O
10	PB <sub>0</sub>	I		Peripheral Data Bus (port B)	30	D3	I/O
11	PB <sub>1</sub>	I	Peripheral Data Bus (port B)		31	D2	I/O
12	PB <sub>2</sub>	I		Peripheral Data Bus (port B)	32	D1	I/O
13	PB <sub>3</sub>	I	Peripheral Data Bus (port B)		33	D0	I/O
14	PB <sub>4</sub>	I		Peripheral Data Bus (port B)	34	RES	I
15	PB <sub>5</sub>	I	Peripheral Data Bus (port B)		35	RS <sub>1</sub>	I
16	PB <sub>6</sub>	I		Peripheral Data Bus (port B)	36	RS <sub>0</sub>	I
17	PB <sub>7</sub>	I	Peripheral Data Bus (port B)		37	IRQB	I
18	CB <sub>1</sub>	I		Peripheral Control	38	IRQA	I
19	CB <sub>2</sub>	I	Peripheral Control		39	CA <sub>2</sub>	I
20	V <sub>CC</sub>	I		DC Supply	40	CA <sub>1</sub>	I

SPX900

• YM3807 (IT380700) Modulation Data Generator

Pin No.	Name	I/O	Function	Pin No.	Name	I/O	Function
1	NC			24	VSS		Power supply ground
2	MDSIO	I	} Inputs data to add to the wave- form data inside MOD	23	CDO	O	CD interface serial data output
3	MDSI1	I		22	CDI	I	CD interface serial data input
4	MDSO0	O	} Outputs MOD internal wave- form data with the same data format as MDSIO.	21	NC		
5	MDSO1	O		20	XCLK	I	CD interface transmission clock input
6	MOD0	O	} Outputs waveform data for all channels inside MOD.	19	XMD	I	Selects 1/16 mode (asynchronous) or 1/1 mode (synchronous) for the CD interface
7	MOD1	O		18	$\overline{\text{CRS}}$	I	CD counter reset
8	MOD2	O		17	CLK	I	3.2MHz
9	MOD3	O		16	$\overline{\text{IC}}$	I	Initial clear
10	MOD4	O		15	$\overline{\text{SYNCW}}$	I	Sync signal input. One 64th of the master clock.
11	MOD5	O		14	MOD7	O	} Outputs waveform data for all channels inside MOD.
12	VDD		Power supply +5V	13	MOD6	O	

• YM6104 (XE788A00) DEQ2 (Digital Equalizer 2)

Pin No.	Name	I/O	Function	Pin No.	Name	I/O	Function
1	VDD	I	+5V	12	Vss	I	Earth (Ground)
2	XHD	I	Alteration of Sync. (=+5V) or Asynch. (=0V) for CDI input terminal (Synch: 1:1), Asynch: 16:1)	13, 14	SI0, SI1	I	INPUT for Serial data signal
3	$\overline{\text{CRS}}$	I	Initialized Serial Control Interface	15, 16	SO0, SO1	O	OUTPUT for Serial data signal
4	CDI	I	Inputs of $\mu$ PGM, Para, Ser. Cont. Data of Control Reg.	17	OVF	O	Detector for OVER Flow
5	CDO	O	Outputs of $\mu$ PGM, Para, Ser Cont. Data of Control Reg.	18	TEST	I	For test. Normally connecting to +5V
6	XCLK	I	In/Out clock for CDI & CDO	19	C2	O	Output is delayed Data of 2nd bit of P. Reg. by 1 bit.
7	TRG	I	Determins transmit timing of PARA. to Para. Reg. from T BFR.	20	C1	O	Output is delayed Data of 1st bit of P. Reg. by 1 bit.
8	ESL	I	Timing determination of data for External at Ext. Shift CLK	21	C0	O	Output is delayed Data of 0 bit of P. Reg. by 1 bit.
9	ELD	I	Timing determination of data for Inner at Ext. Shift CLK	22	CEMD	I	+5V: It's necessary to input 2 Byte for CE to CDI 0V: It needs not to have a data for CE to CDI
10	ECLK	I	Input Shift CLK of IN/OUT SR at Ext Shift CLK	23	$\overline{\text{IC}}$	I	Initialized for DEQ
11	CLK	I	System Clock	24	Sync	I	Synchro. signal for system



• YM6007 (XF164A00) DSP 2 (Digital Signal Processor 2)

PIN NO.	NAME	I/O	FUNCTION	PIN NO.	NAME	I/O	FUNCTION	
1	D18	I/O	Data bus	65	NC		Serial control data output	
2	D17	I/O		66	CDO	O		Serial control data input
3	D16	I/O		67	CDI	I		Power supply
4	NC			68	V <sub>DD</sub>	I		Serial data input (28bit × 4ch)
5	V <sub>DD</sub>			69	SIO	I		
6	D15	I/O		70	NC			
7	NC			71	NC			
8	NC			72	SI1	I		Serial data input (28bit × 4ch)
9	D14	I/O		73	SI2	I		Serial data input (28bit × 2ch)
10	NC			74	SO0	O		Serial data output (28bit × 4ch)
11	D13	I/O		75	NC			
12	D12	I/O		76	SO1	O		Serial data output (28bit × 2ch)
13	D11	I/O		77	SO2	O		Clock (64bit/sample)
14	NC			78	SCLK	O		
15	D10	I/O		79	NC			
16	NC		80	NC				
17	NC		81	NC				
18	D9	I/O	82	NC				
19	D8	I/O	83	TRGO	O	Trigger output		
20	D7	I/O	84	TRGI	I	Trigger input		
21	NC		85	DCLK	I	Clock (Master clock × 2)		
22	D6	I/O	86	SYW	I	Synch. pulse		
23	D5	I/O	87	IC	I	Initial clear		
24	NC		88	NC				
25	D4	I/O	89	MRQ	O	Control data receival		
26	NC		90	MDA0	I			
27	D3	I/O	91	NC				
28	NC		92	NC		Serial mode: Internal registor select		
29	D2	I/O	93	MDA1	I	Parallel mode: CDI, CDO data format select		
30	D1	I/O						
31	D0	I/O	94	MDA2	I			
32	NC		95	NC				
33	CAS	O	96	MWE	I	MD pin input strobe		
34	RAS	O	97	MOE	I	MD pin output strobe		
35	A9	O	98	MDS	I	Communication mode select (0: serial 1: parallel)		
36	A8	O						
37	V <sub>SS</sub>		99	MD7	I/O			
38	A7	O	100	MD6	I/O			
39	NC		101	NC				
40	A6	O	102	NC				
41	NC		103	MD5	I/O			
42	A5	O	104	NC		Parallel data		
43	NC		105	MD4	I/O			
44	A4	O	106	NC				
45	A3	O	107	MD3	I/O			
46	NC		108	MD2	I/O			
47	NC		109	MD1	I/O			
48	NC		110	MD0	I/O			
49	NC		111	NC				
50	NC		112	NC				
51	NC		113	D27	I/O			
52	A2	O	114	NC				
53	A1	O	115	D26	I/O			
54	A0	O	116	NC				
55	WE	O	117	D25	I/O			
56	OE	O	118	D24	I/O			
57	NC		119	NC				
58	D <sub>BOE</sub>	I	120	D23	I/O	Memory data		
59	NC		121	NC		Ground		
60	TIM1	O	122	NC				
61	TST		123	D22	I/O			
62	CRS	I/O	124	V <sub>SS</sub>				
			125	NC				
63	NC		126	D21	I/O			
64	XCLK	I	127	D20	I/O			
			128	D19	I/O			

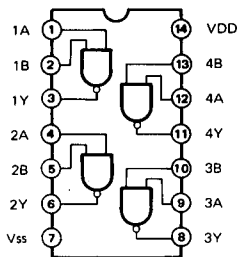
SPX900

• M58990P-1 (IG106100) Analog Digital Converter

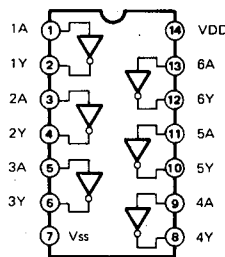
PIN NO.	NAME	I/O	FUNCTION	PIN NO.	NAME	I/O	FUNCTION
1	IN3		Analog data in	15	2-6	O	Digital data output
2	IN4			16	REF(-)	O	Reference voltage (-)
3	IN5			17	2-8	O	Digital data output
4	IN6			18	2-4	O	
5	IN7			19	2-3	O	
6	START		Start data in	20	2-2	O	Address latch enable data in
7	EOC	O	End of conversion data output	21	2-1	O	
8	2-5	O	Digital data output	22	ALE		Address data in
9	OE		Output enable data in	23	ADD C		
10	CLK		Clock data in	24	ADD B		
11	REF (+)		Reference voltage (+)	25	ADD A		Analog data in
12	Vcc		Supply power (+5V)	26	IN 0		
13	GND		Supply power (0V)	27	IN 1		
14	2-7	O	Digital data output	28	IN 2		

■ IC BLOCK DIAGRAM (ICブロック図)

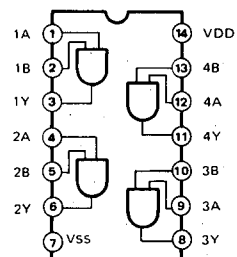
- TC74HC00P (IR000000) Quad 2 Input NAND



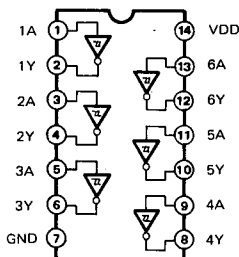
- TC74HCU04 (IG142200) Hex Inverter



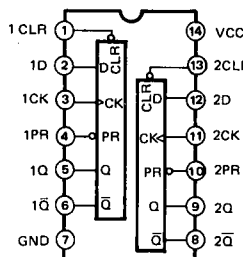
- TC74HC08P (IR000800) Quad 2 Input AND



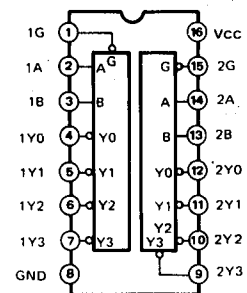
- TC74HC14P (IR001400) Hex Inverter



- TC74HC74P (IR007400) Dual D-Type Flip-Flop

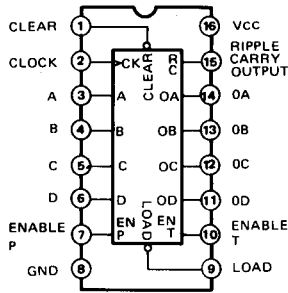


- TC74HC139P (IR013900) Dual 2 to 4 Demultiplexer

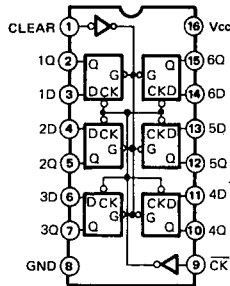


INPUTS				OUTPUTS	
PR	CLR	CLK	D	Q	Q-bar
L	H	X	X	H	L
H	L	X	X	L	H
L	L	X	X	H	H
H	H	↑	L	H	L
H	H	↓	L	L	H
H	H	L	X	Q <sub>o</sub>	Q <sub>o</sub> -bar

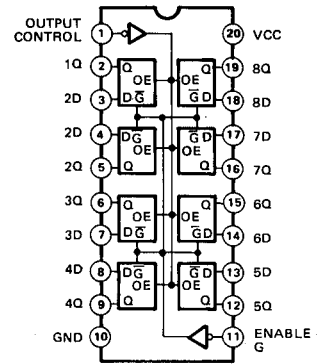
- **TC74HC163P (IR016300)**  
SYNC. Binary Counter



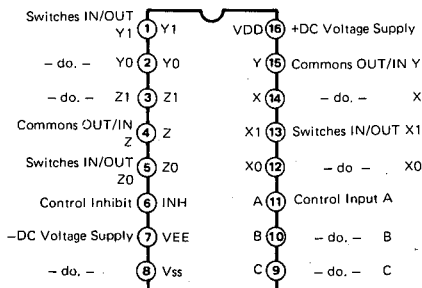
- **TC74HC174P (IR017400)**  
Hex D-Type Flip-Flop



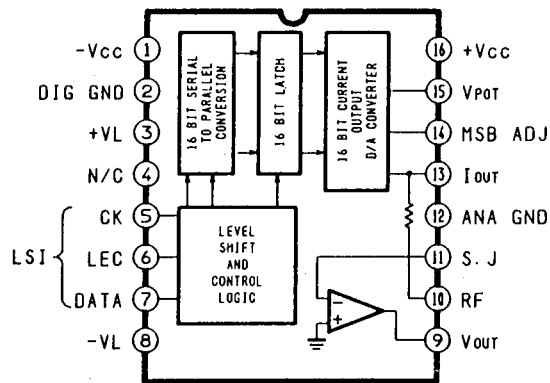
- **TC74H373P (IR1037300)**  
Octal 3-State D-Type Latch



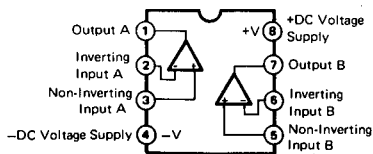
- **TC4053BP (IG055100)**  
Triple 2-Ch. Multiplexer/Demultiplexer



- **PCM56P (XB637001)**  
D/A Converter



- **NJM4558DV (IG001390)**
- **M5238P (XA013001)**
- **NJM4556DE (XA772001)**  
Dual Operational Amplifier



SPX900

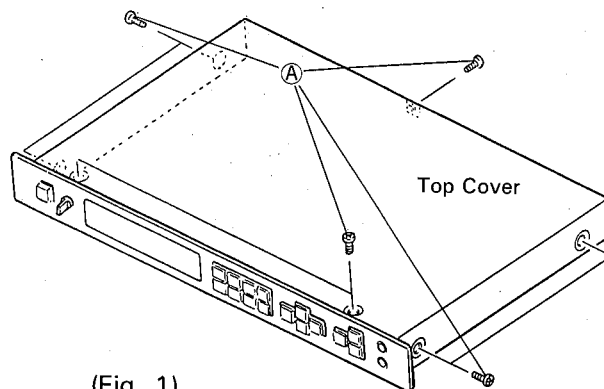
## DISASSEMBLY PROCEDURE (分解手順)

### 1. Removal of Top Cover

After the 7 bind head screws **A** (3×8) have been removed, the top cover can be removed. (Fig. 1)

### 1. トップカバーの外し方

バインド小ネジ**A**(3×8) 7本を外し、トップカバーを外します。(Fig.1)



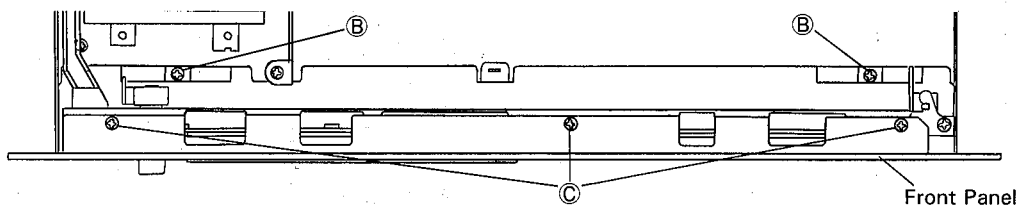
(Fig. 1)

### 2. Removal of Front Panel

- 2-1. Remove the top cover. (→ 1.)
- 2-2. After the 2 bind head screws **B** (3×8) and 3 flat head screws **C** (3×6) have been removed, the front panel can be removed. (Fig. 2)

### 2. フロントパネルの外し方

- 2-1. トップカバーを外します。(→1.)
- 2-2. バインド小ネジ**B**(3×8)2本と皿小ネジ**C**(3×6)3本を外し、フロントパネルを手前に引き抜きます。(Fig.2)



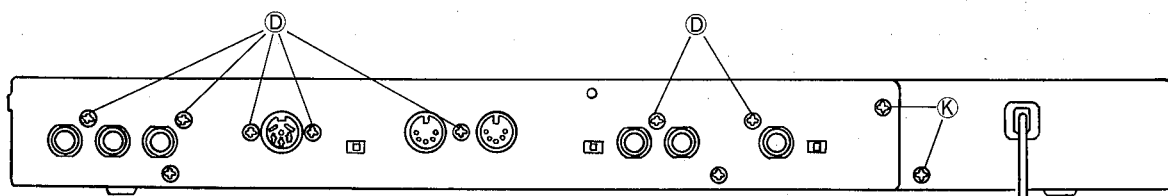
(Fig. 2)

### 3. Removal of AD Circuit Board

- 3-1. Remove the top cover. (→ 1.)
- 3-2. Remove the 7 bind head screws **D** (3×8). (Fig. 3)
- 3-3. Remove the 1 bind head screw **E** (3×8) and then remove the AD circuit board from the 2 spacers **F**. (Fig. 4)

### 3. ADシートの外し方

- 3-1. トップカバーを外します。(→1.)
- 3-2. バインド小ネジ**D**(3×8)7本を外します。(Fig.3)
- 3-3. バインド小ネジ**E**(3×8)1本を外し、ADシートをロッキングカードスパンサー**F**2本から外します。(Fig.4)



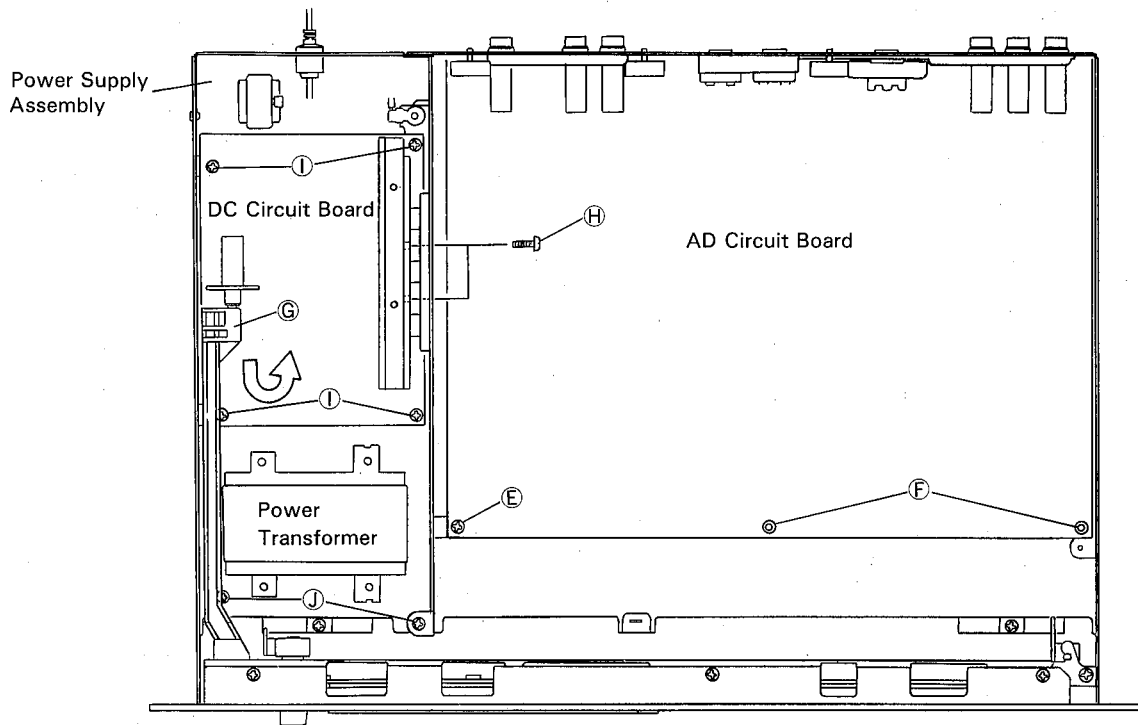
(Fig. 3)

**4. Removal of DC Circuit Board**

- 4-1. Remove the top cover. (→ 1.)
- 4-2. Pull out the push rod ㉔ in direction of arrow. (Fig. 4)
- 4-3. After the 2 bind head screws ㉕ (3×10) and 4 bind head screws ㉖ (3×8) have been removed, the DC circuit board can be removed. (Fig. 4)

**4 .DCシートの外し方**

- 4-1. トップカバーを外します。(→1.)
- 4-2. プッシュロッド㉔を1度手前に引き、押し出すようにして外します。(Fig.4)
- 4-3. バインド小ネジ㉕(3×10)2本とバインド小ネジ㉖(3×8)4本を外し、DCシートを外します。(Fig.4)



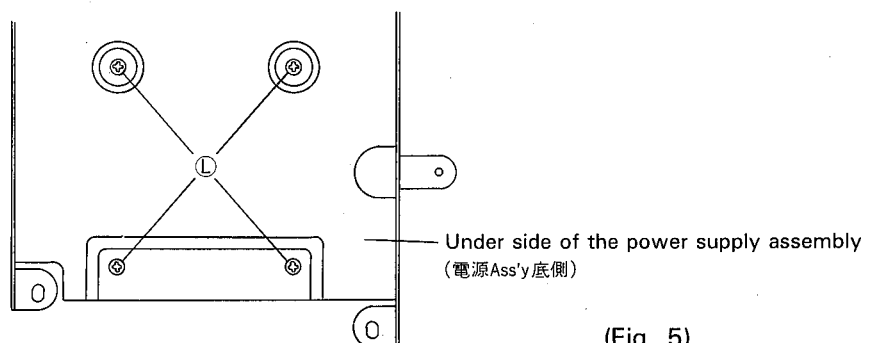
(Fig. 4)

**5. Removal of Power Transformer**

- 5-1. Remove the top cover. (→ 1.)
- 5-2. Pull out the push rod ㉔ in direction of arrow. (Fig. 4)
- 5-3. Remove the 2 bind head screws ㉖ (3×8), 1 bind head screw ㉗ (3×8) and 2 bind head screws ㉘ (3×8), the Power supply assembly can be removed. (Fig. 3, 4)
- 5-4. After the 4 bind head screws ㉖ (3×8) located under side of the Power supply assembly have been removed, the power transformer can be raised. (Fig. 5)

**5 .電源トランスの外し方**

- 5-1. トップカバーを外します。(→1.)
- 5-2. プッシュロッド㉔を1度手前に引き、押し出すようにして外します。(Fig.4)
- 5-3. バインド小ネジ㉖(3×8)2本とバインド小ネジ㉕(3×8)1本と、バインド小ネジ㉘(3×8)2本を外し、電源Ass'yを外します。(Fig.3,4)
- 5-4. 電源Ass'y底側よりバインド小ネジ㉖(3×8)4本を外し、電源トランスを外します。(Fig.5)



(Fig. 5)

**6. Removal of FP 1/4 Circuit Board**

- 6-1. Remove the top cover. (→ 1.)
- 6-2. Remove the front panel. (→ 2.)
- 6-3. Take the FP 1/4 circuit board out from the sub panel while pressing the 2 stoppers **M** outward slightly. (Fig. 6)

**7. Removal of FP 2/4 Circuit Board**

- 7-1. Remove the top cover. (→ 1.)
- 7-2. Remove the front panel. (→ 2.)
- 7-3. Take the FP 2/4 circuit board out from the sub panel while pressing the 2 stoppers **N** outward slightly. (Fig. 6)

**8. Removal of FP 3/4 Circuit Board**

- 8-1. Remove the top cover. (→ 1.)
- 8-2. Remove the front panel. (→ 2.)
- 8-3. Remove the 1 bind head screw **O** (3×8) and then remove the FP 3/4 circuit board in direction of arrows. (Fig. 7)

**9. Removal of FP 4/4 Circuit Board**

- 9-1. Remove the top cover. (→ 1.)
- 9-2. Remove the front panel. (→ 2.)
- 9-3. Remove the 1 hexagonal nut **P**. (Fig. 6)

**10. Removal of LCD Assembly**

- 10-1. Remove the top cover. (→ 1.)
- 10-2. Remove the front panel. (→ 2.)
- 10-3. Take the LCD assembly out from the sub panel while pressing the 2 stoppers **Q** outward slightly. (Fig. 6)

**6. FP 1/4シートの外し方**

- 6-1. トップカバーを外します。(→1.)
- 6-2. フロントパネルを外します。(→2.)
- 6-3. サブパネルのストッパー**M**2本を押し上げながら、FP 1/4シートを手前に引き抜きます。(Fig.6)

**7. FP 2/4シートの外し方**

- 7-1. トップカバーを外します。(→1.)
- 7-2. フロントパネルを外します。(→2.)
- 7-3. サブパネルのストッパー**N**2本を押し上げながらFP 2/4シートを手前に引き抜きます。(Fig.6)

**8. FP 3/4シートの外し方**

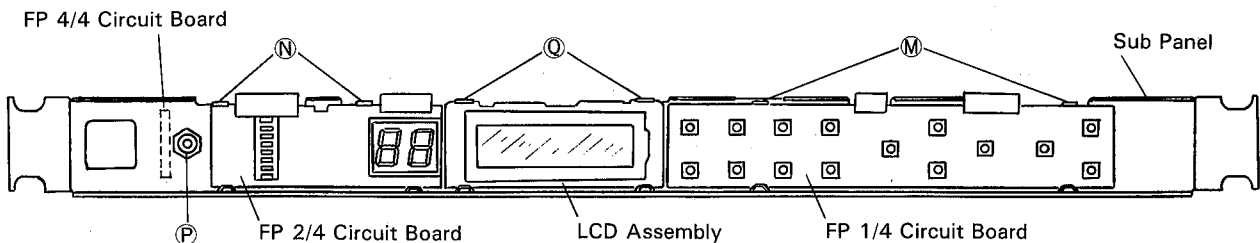
- 8-1. トップカバーを外します。(→1.)
- 8-2. フロントパネルを外します。(→2.)
- 8-3. バインド小ネジ**O**(3×8)1本を外し、FP3/4シートを押し出すようにして外します。(Fig.7)

**9. FP 4/4シートの外し方**

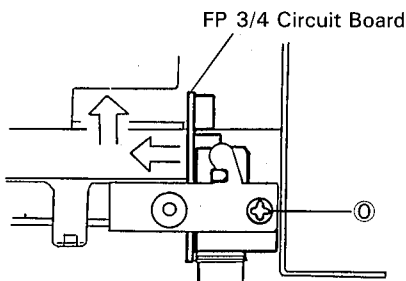
- 9-1. トップカバーを外します。(→1.)
- 9-2. フロントパネルを外します。(→2.)
- 9-3. 六角ナット**P**を外し、FP 4/4シートを外します。(Fig.6)

**10. LCD Ass'yの外し方**

- 10-1. トップカバーを外します。(→1.)
- 10-2. フロントパネルを外します。(→2.)
- 10-3. サブパネルのストッパー**Q**2本を押し上げながらLCD Ass'yを手前に引き抜きます。(Fig.6)



(Fig. 6)



(Fig. 7)

## ■ CHECKS & ADJUSTMENTS

### 1-1 Preparation (Connections)

- (1) Connect a 10-kilohms load resistor to each of the L and R OUTPUT (JK102, JK103).
- (2) Set the INPUT level control to the MAX. position.
- (3) Set SW101 and SW102 on the AD circuit board to the "+4" position (depressed).

Note: Always monitor the output signals with an oscilloscope.

### 1-2 Adjustments

#### 1-2-1 Offset adjustment

With no signal input to the INPUT (JK101), start the test program #8, and adjust trimmer potentiometer VR102 (OFFSET) so that the L OUTPUT (JK102) or R OUTPUT (JK103) outputs a click waveform of within  $\pm 15$  mV<sub>peak</sub>.

#### 1-2-2 A/D gain adjustment

Apply on input signal of +8.5 dBm at 1 kHz to the INPUT (JK101) and adjust VR101 (A/D GAIN) until the distortion waveforms of the L and R OUTPUT for minimum distortion.

#### 1-2-3 D/A gain adjustment

With the conditions set according to section 1-2-2, adjust VR105 (D/A GAIN) so that the L OUTPUT (JK102) and R OUTPUT (JK103) outputs signals of  $+18.5 \pm 0.3$  dBm.

#### 1-2-4 MSB adjustment

With the conditions set according the section 1-2-3, adjust VR103 (MSB) so that the distortion becomes minimum.

#### 1-2-5 Meter sensitivity

With the conditions that the MSB adjustment has been performed, when a signal of 0 dBm at 1 kHz is applied to the INPUT (JK101), adjust VR104 (METER) so that the "0" LED indicator of the level meter is illuminated.

At this point, LEDs from "-3" through "-30" are illuminated.

When the input is opened, all level LEDs are turned OFF.

\*The VR101 to 105 are located on the AD circuit board.

### 1-3 Gain

When a signal of 1kHz, -20 dBm is applied to the L INPUT (JK101), and SW101 and SW102 are set as shown in the following table, the output levels at the L OUTPUT (JK102) and R OUTPUT (JK103) shall be within the range shown in the table.

SW101	SW102	Output Level
" +4"	" +4"	$-10 \pm 1.5$ dBm
" -20"	" -20"	$-10 \pm 1.5$ dBm

\*SW101 and SW102 are in the "+4" position when are depressed in, and in the "-20" position when they are out.

### 1-4 Frequency response

When a signal of approx. -10 dBm is applied to the L INPUT (JK101), the frequency response at the L OUTPUT (JK102) and R OUTPUT (JK103) with respect to the 1 kHz level shall be within the following ranges.

20Hz ~ 5KHz	$\pm 1.0$ dB
6KHz ~ 18KHz	$\pm 1.5$ dB,
19KHz ~ 20KHz	+2 ~ -3dB
22KHz	Less than -10 dB

**1-5 Distortion**

With the conditions set according to section 1-2-4, the distortion shall be no more than 0.03%.

**1-6 Noise level**

When no plug is connected to the INPUT (JK101), the noise levels at the L OUTPUT (JK102) and R OUTPUT (JK103) shall be no more than -69 dBm.

If noise levels are not within rated level, adjust VR102 (OFFSET) so that the noise levels are within rated values. Afterwards, perform the offset adjustment again, adjust VR102 so that the click waveform of within  $\pm 15\text{mV/peak}$  can be obtained.

**1-7 Muting circuit**

When the Power switch is turned ON, the output signals at the L OUTPUT (JK102) and R OUTPUT (JK103) shall be muted for 2 to 4 seconds.

When the Power switch is turned from ON to OFF, the muting shall be applied quickly without generating click noise.

**2. Measuring Instruments**

- (1) When measuring distortion, use a 80 kHz, -6 dB/oct filter.
- (2) When measuring noise level, use a 12.7 kHz, -6 dB/oct filter.
- (3) The output impedance of the oscillator shall be no more than 600 ohms.
- (4) The input impedance of measuring instruments shall be no more than 1 megohm.



## ■ 検査と調整

### 1-1 準備

(接続)

- (1) OUTPUT L, R (JK102, JK103) に、 $10\text{K}\Omega$ の負荷抵抗を接続する。
- (2) INPUT レベルコントロール MAX にする。
- (3) SW101、SW102 を “+4” 側 (押し込んだ位置) にする。

注) 出力信号は、常に、オシロスコープでモニターすること。

### 1-2 調整

#### 1-2-1 オフセットの調整

INPUT (JK101) の入力信号無し状態で、テストプログラム # 8 を起動させた時、OUTPUT L (JK102) または、OUTPUT R (JK103) のクリック波形が、 $\pm 15\text{mVpeak}$  以内になるように、半固定ボリューム (VR102、OFFSET) を調整する。

#### 1-2-2 A/Dゲインの調整

INPUT (JK101) より、 $1\text{kHz}$ 、 $+8.5\text{dBm}$ の信号を入力した時、OUTPUT L (JK102) または OUTPUT R (JK103) の出力波形が歪む直前の波形となるように、半固定ボリューム (VR101 A/D GAIN) を調整する。

#### 1-2-3 D/Aゲインの調整

1-2-2の状態では、OUTPUT L (JK102)、OUTPUT R (JK103) に、 $+18.5 \pm 0.3\text{dBm}$ の信号が得られるように、半固定ボリューム (VR105、D/A GAIN) を調整する。

#### 1-2-4 MSBの調整

1-2-3の状態では、歪率計の値が最少となるように半固定ボリューム (VR103 MSB) を調整する。

#### 1-2-5 メータ回路の調整

1-2-4まで終わった状態で、INPUT (JK101) に  $1\text{kHz}$ 、 $0\text{dBm}$ の信号を入力した時に、LED レベルメータの“0”が点灯しはじめるように半固定ボリューム (VR104 METER) を調整する。この時、“-3”から“-30”のLEDも全て点灯していること。また、入力信号をなくした時は、全てのLEDレベルメータが消灯することを確認する。

※調整用半固定ボリューム (VR101~105) は ADシート上にある。

### 1-3 利得

INPUT L (JK101) より、 $1\text{kHz}$ 、 $-20\text{dBm}$ の信号を加えた時、SW101、SW102が、下記の条件の時、OUTPUT L (JK102)、OUTPUT R (JK103) の出力レベルは、下表の範囲内のこと。

SW101	SW102	出力レベル
+4側	+4側	$-10 \pm 1.5\text{dBm}$
-20側	-20側	$-10 \pm 1.5\text{dBm}$

※ SW101、SW102 は、つまみを押し込んだ時が、“+4”側で、飛び出している時が、“-20”側である。

#### 1-4 周波数特性

INPUT L (JK101) より、 $-10\text{dBm}$  前後の信号を入力した時、OUTPUT L (JK102) および、OUTPUT R (JK103) での周波数特性は、 $1\text{kHz}$  を基準として下記の範囲内のこと。

20Hz ~ 5 kHz	$\pm 1.0\text{dB}$
6 kHz ~ 18kHz	$\pm 1.5\text{dB}$
19kHz ~ 20kHz	$+2 \sim -3\text{dB}$
22kHz	$-10\text{dB}$ 以下

#### 1-5 歪率

1-2-4の状態、歪率は $0.03\%$ 以下のこと。

#### 1-6 ノイズレベル

INPUT L (JK101) のプラグを外した時、OUTPUT L (JK102) および、OUTPUT R (JK103) での、ノイズレベルは、 $-69\text{dBm}$  以下であること。この時、仕様に入らない場合は、半固定ボリューム (VR102 OFFSET) を最小限動かして、規格以下に調整する。VR102 を動かした時は、1-2-1のオフセット電圧を再確認して、クリック波形が $\pm 15\text{mVp-p}$  以下であること。

#### 1-7 ミューティング回路

パワースイッチを ON した後、2 ~ 4 秒間、OUTPUT L (JK102)、OUTPUT R (JK103) の出力信号がミュートされること。

パワースイッチを ON から OFF にした時は、速やかに、ミュートがかかり、クリックノイズを発生しないこと。

#### 2. 測定器

- (1) 歪率測定時は、 $80\text{kHz}$   $-6\text{dB/oct}$  のフィルターを使用すること。
- (2) ノイズレベル測定時は、 $12.7\text{kHz}$   $-6\text{dB/oct}$  のフィルターを使用すること。
- (3) 発振器の出力インピーダンスは、 $600\Omega$  以下のこと。
- (4) 測定器の入力インピーダンスは、 $1\text{M}\Omega$  以上のこと。

## ■ TEST PROGRAM (テストプログラム)

### ● Test Program Entry

- (1) While pressing the "PARAM" and "TRIGGER" switches, turn the POWER switch on.
- (2) After the system has entered the Test Program mode, the ROM, ACIA, and Battery checks will be performed automatically. If the Battery check is OK, the LCD will indicate the "TEST BATT. OK" message.
- (3) On the normal operation, when the power switch is turned on, the RAM check will be performed automatically.
- (4) Select a test-number with following operation.  
Pressing the "↑" (Memory Down) switch will increase the test-number, and pressing the "↓" (Memory Down) switch will decrease it. Press the "RECALL" switch to initiate the test.
- (5) When the test 11 is activated after completion of the tests 1 through 10, the normal operation will be restored.  
Without the completion of the tests 1 through 10, the "CHECK NOT END" message will appear on the LCD.  
When the test 99 is activated, the normal operation will be restored regardless of the completion of the tests.

### 1. TEST 1: LCD Check

- (1) Select the test-number "1", and press the "RECALL" switch to initiate the test.
- (2) The entire LCD is turned "ON and OFF" five times.
- (3) Verify the proper lighting of all dots in the LCD.

### 2. TEST 2: LED Check

- (1) Select the test-number "2", and press the "RECALL" switch to initiate the test.
- (2) The 7-segments LED will indicate the figures of "0" to "99" in sequence.
- (3) The switch LED indicators will light one after another in sequence.
- (4) All of the LED indicators and segments will simultaneously light ON and then OFF, and the Memory number display will indicate the "2". At this time, the INPUT level meter LEDs remain OFF.
- (5) Verify the proper lighting of all LED indicators and segments.

### ●テストプログラムの起動

- (1) "PARAM" キーと "TRIGGER" キーを押しながら、パワースイッチをONします。
- (2) テストプログラムを起動すると、ROM チェック、LSI の制御回線のチェック、及びバッテリーチェックが自動的に行われます。これらのチェックがOKの時には、"TEST BATT. OK" がLCDに表示されます。
- (3) RAM チェックは、通常動作のPOWER ON時に行われます。
- (4) テストNo.は、フロントパネルのメモリー・アップとメモリー・ダウンキーにより選択し、"RECALL" キーを押して実行します。
- (5) テスト 1 から10を全て終了後に、テスト11を実行すると通常動作に戻ります。チェックが全て終了していない場合には、LCDに"CHECK NOT END"が表示されます。  
また、テスト99を実行すると、未実行のテストがあっても通常動作に戻ります。

### 1. テスト 1 : LCD表示器のチェック

- (1) テストナンバー 1 を選択後、"RECALL" スイッチを押します。
- (2) LCDの全ドットが5回点滅します。
- (3) LCDの全ドットが正しく点灯することを、目視により確認します。

### 2. テスト 2 : LED点灯チェック

- (1) テストナンバー 2 を選択後、"RECALL" スイッチを押します。
- (2) メモリーLEDが、0,11,……,99 と順次点灯していきます。
- (3) パネル・キースイッチ内のLEDが、1つずつ点灯していきます。
- (4) 全LEDが点灯します。(レベルメーター用LEDを除く)
- (5) LEDが消灯した後、メモリーLEDが"2"を表示します。

**3. TEST 3: Panel Switch Check**

- (1) Attach the Foot switches to the TRIGGER, INC/DEC and BYPASS jacks, and select the test-number "3", and then press the "RECALL" switch to initiate the test.
- (2) The switch name "PUP" (Parameter up) will appear on the LCD as shown below.

```

DIAG.    V1. 0
TEST SWITCH  PUP

```

Press the switch of which the name is indicated on the LCD.  
Pressing the correct switch can advance the program.  
The order is as shown below;

- |                           |   |
|---------------------------|---|
| (01) [↑] (Parameter Up)   | (10) [↑] (Memory Up)                    |
| (02) [↓] (Parameter Down) | (11) [↓] (Memory Down)                  |
| (03) [SCROLL BACK]        | (12) [RECALL]                           |
| (04) [EQ]                 | (13) [UTILITY]                          |
| (05) [PARAM]              | (14) [TRIGGER]                          |
| (06) [INT RAPAM]          | (15) [BYPASS]                           |
| (07) [LEVEL]              | (16) [TRIGGER] (Foot SW)                |
| (08) [EXT CTRL ASSIGN]    | (17) [INC/DEC] (Memory INC/DEC-Foot SW) |
| (09) [STORE]              | (18) [BYPASS] (Foot SW)                 |

- (3) When these tests have been completed successfully, an "OK" message will appear on the LCD.

```

DIAG.    V1. 0
TEST SWITCH  OK

```

- (4) If an incorrect switch is pressed, the routine cannot proceed to the next switch test. Pressing the switch indicated on the LCD will advance the Switch test.

**4. TEST 4: FOOT VOLUME 1 Check**

- (1) Connect the Foot volume to the FOOT VOL 1 jack on the Front panel.

**3. テスト 3 : パネルスイッチのチェック**

- (1) テストに入る前に、TRIGGER, INC/DEC, BYPASS ジャックにフットスイッチを接続します。  
テストナンバー 3 を選択後、“RECALL” スイッチを押します。
- (2) テストに入ると、次に押すべきスイッチの名称が LCD に表示されます。

- (3) 次の順にスイッチを押していきます。

- (4) 全てのスイッチのチェックが終了すると、LCD には、次のように表示されます。

途中で、スイッチの操作順序を間違えた場合は、次のスイッチのチェックに進むことが出来ません。LCD に表示されているスイッチから押し直して下さい。

**4. テスト 4 : フットボリューム 1 のチェック**

- (1) テストに入る前に、フロントパネルの FOOT VOL1 ジャックにフットスイッチを接続します。  
テストナンバー 4 を選択後、“RECALL” スイッチを押します。

- (2) Select the test-number "4", and press the "RECALL" switch to initiate the test.
- (3) If the Foot volume will be moved to both the lowest and highest position, the current voltage shown on the LCD will be sequentially incremented as shown below.

- (2) フットボリュームを徐々に踏み込んでいくと、LCDの表示が次のように変わっていきます。

```
DIAG.    V1. 0
TEST F. VOL-1  0. 5
```

```
DIAG.    V1. 0
TEST F. VOL-1  2. 5
```

```
DIAG.    V1. 0
TEST F. VOL-1  4. 5
```

When the test is OK,

チェックがOKなら、LCDには、次のように表示されます。

```
DIAG.    V1. 0
TEST F. VOL-1  OK
```

**5. TEST 5: FOOT VOLUME 2 Check**

- (1) Connect the Foot volume to the FOOT VOL 2 jack on the Front panel.
- (2) Select the test-number "5", and press the "RECALL" switch to initiate the test.
- (3) Same as the FOOT VOLUME 1 check.

**5. テスト 5：フットボリューム2のチェック**

- (1) テストに入る前に、フロントパネルのBYPASS ジャックにフットスイッチを接続します。テストナンバー5を選択後、“RECALL” スイッチを押します。
- (2) 動作は、フットボリューム1と同様です。

**6. TEST 6: REMOTE Control Check**

- (1) Connect the pin-3 of the REMOTE connector to pin-6.
- (2) Select the test-number "6", and press the "RECALL" switch to initiate the test.
- (3) A result of the test will be displayed on the LCD.

**6. テスト 6：リモコン端子動作チェック**

- (1) テストに入る前に、リモコン端子の3番ピンと6番ピンを短絡します。テストナンバー6を選択後、“RECALL” スイッチを押します。
- (2) テストの結果がLCDに表示されます。OKの時

When the test is OK,

```
DIAG.    V1. 0
TEST REMO.CON  OK
```

If the output data from the pin-6 don't return to the CPU through the pin-3, nor the received data at the CPU is not correct,

NGの時

```
DIAG.    V1. 0
TEST REMO.CON  NG
```

**7. TEST 8: MIDI Check**

- (1) Connect the MIDI IN jack to the MIDI OUT with a MIDI cable, and switch the MIDI OUT/THRU to OUT.
- (2) Select the test-number "8", and press the "RECALL" switch to initiate the test.
- (3) A result of the test will be displayed on the LCD.  
When the test is OK,

DIAG.	V1.0
TEST MIDI	OK

If the output data from the MIDI OUT don't return to the CPU through the MIDI IN, nor the received data at the CPU is not correct,

NGの時

DIAG.	V1.0
TEST MIDI	NG

**8. TEST 9: AD OFFSET Adjustment**

- (1) Connect a powered speaker to the L or R OUTPUT connector in order to obtain sound check.
- (2) Select the test-number "9", and press the "RECALL" switch to initiate the test.  
If an Offset voltage is present, the click noise can be heard from the seaker.
- (3) Adjust the VR106 on the AD Circuit Board to minimize the click noise level.

**8. テスト9：ADオフセットの調整**

- (1) テストに入る前に、パワードスピーカを OUTPUT L、またはRに接続しておきます。  
テストナンバー9を選択後、“RECALL”スイッチを押します。
- (2) オフセットがずれていると、スピーカよりクリック音が聞こえます。  
この時には、ADシートの半固定抵抗VR102にて、クリック音が最小になるように調整します。

**9. TEST 10: Factory Set**

- (1) Select the test-number "10", and press the "RECALL" switch to initiate the test.
- (2) If this function is activaed, the LCD will indicate a message as shown below.

**9. テスト10：ファクトリーセット**

- (1) テストナンバー10を選択後、“RECALL”スイッチを押します。
- (2) テスト10に入ると、LCDには次のように表示されます。

DIAG.	V1.0
RAM INITIALIZE	?

Press the "STORE" switch, the RAM's user area will be set with the Factory set data, and parameters are initialized.

"STORE" スイッチを押すと、ユーザー RAM 領域に、ファクトリー・プリセット値がセットされ、またパラメータも初期値にセットされます。

DIAG. V1.0  
SET USER PROG.

10. TEST 20: DRAM Check

- (1) Select the test-number "20", and press the "RECALL" switch to initiate the test. The DRAMs for DSP are checked automatically.
- (3) If the test is OK, an "OK" will appear on the LCD as shown below.

10. テスト20：D-RAMチェック

- (1) テストナンバー20を選択後、“RECALL” スイッチを押します。
  - (2) DSP用D-RAMがチェックされ、不良ビットがあればLCDに表示されます。
- OKの時

DIAG. V1.0  
TEST DRAM OK

If the test is No Good, the LCD will indicate the incorrect bit as shown below.

NGの時

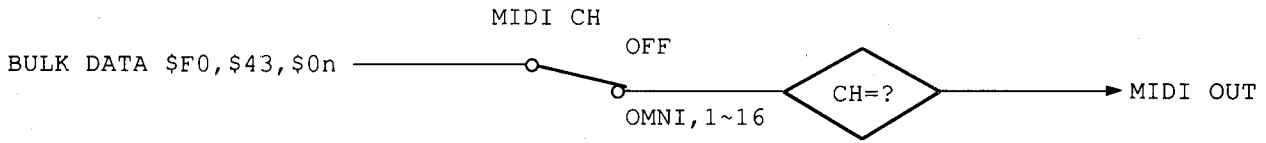
DIAG. V1.0  
TEST DRAM D12

(The data bit 13 is incorrect.)

(データの13ビット目が不良)

## MIDI DATA FORMAT

### 1. Transmitting Conditions



### 2. Transmitting Data

#### 2.1 System information

##### 1) System Exclusive Messages

##### ① MEMORY BULK DATA

MIDI DATA FORMAT Transmission is enabled on the MIDI channel of the currently selected bank. Data is transmitted when BULK OUT 1 is displayed and BULK OUT is executed, and when the MEMORY BULK DUMP REQUEST message is received. The data to be transmitted is the program of the memory number indicated. If the memory number is "\*", data is sent from Memory 51 to Memory 99 in succession.

STATUS	11110000 (F0H)	
ID No.	01000011 (43H)	
SUB STATUS	0000nnnn (0nH)	n=0 (channel number1)~15 (channel number16)
FORMAT No.	01111110 (7EH)	
BYTE COUNT	00000010 (02H)	
BYTE COUNT	00001010 (0AH)	
	01001100 (4CH) "L"	
	01001101 (4DH) "M"	
	00100000 (20H) SPACE	
	00100000 (20H) SPACE	
	00111000 (38H) "8"	
	00110110 (36H) "6"	
	00110011 (33H) "3"	
	00110110 (36H) "6"	
DATA NAME	01001101 (4DH) "M"	
MEMORY	0mmmmmmmm	M=1 (MEMORY No.1)~99 (MEMORY No.99)
DATA	0ddddddd	256BYTE
	0ddddddd	
CHECK SUM	0eeeeeee	
EOX	11110111 (F7H)	



② Bank Program Change Chart Bulk Data

Transmission is enabled on the MIDI channel of the currently selected bank. Data is transmitted when BULK OUT 1 is displayed and BULK OUT is executed, and when the PROGRAM CHANGE CHART BULK DUMP REQUEST message is received. The data to be transmitted is the program change chart (the chart showing the correspondence between program numbers and memory numbers). If the bank number is "\*", the data from banks 1 - 4 (A - D) is transmitted in succession.

```

STATUS          11110000 (F0H)
ID No.          01000011 (43H)
SUB STATUS      0000nnnn (0nH)          n=0(channel number1)~15 (channel number16)
FORMAT No.     01111110 (7EH)
BYTE COUNT     00000001 (01H)
BYTE COUNT     00001010 (0AH)
                01001100 (4CH) "L"
                01001101 (4DH) "M"
                00100000 (20H) SPACE
                00100000 (20H) SPACE
                00111000 (38H) "8"
                00110110 (36H) "6"
                00110011 (33H) "3"
                00110110 (36H) "6"
DATA NAME      01010100 (54H) "T"
BANK No.       0zzzzzzz                Z=BANK 1~4 (1=A, 2=B, 3=C, 4=D)
DATA          0ddddddd  128BYTE
                S
                0ddddddd
CHECK SUM      0eeeeeee
EOX           11110111 (F7H)
    
```

③ User ER Pattern Bulk Data

Transmission is enabled on the MIDI channel of the currently selected bank. Data is transmitted when BULK OUT 2 is displayed and BULK OUT is executed, and when the USER ER PATTERN BULK DUMP REQUEST message is received. The data to be transmitted is that of the indicated pattern number. If the pattern number is "\*", patterns 1 - 4 (A - D) are transmitted in succession.

```

STATUS          11110000 (F0H)
ID No.          01000011 (43H)
SUB STATUS      0000nnnn (0nH)          n=0(Channel No.1)~15(Channel No.16)
FORMAT No.     01111110 (7EH)
BYTE COUNT     00000001 (01H)
BYTE COUNT     01101110 (6EH)
                01001100 (4CH) "L"
                01001101 (4DH) "M"
                00100000 (20H) SPACE
                00100000 (20H) SPACE
                00111000 (38H) "8"
                00110110 (36H) "6"
                00110011 (33H) "3"
                00110110 (36H) "6"
DATA NAME      01000101 (45H) "E"
ER PATTERN No. 0zzzzzzz                Z=ER PATTERN 1~4 (1=A, 2=B, 3=C, 4=D)
DATA          0ddddddd  228BYTE
                S
                0ddddddd
CHECK SUM      0eeeeeee
EOX           11110111 (F7H)
    
```

④ System Setup Bulk Data

Transmission is enabled on the MIDI channel of the currently selected bank. Data is transmitted when BULK OUT 2 is displayed and BULK OUT is executed, and when the SYSTEM SETUP DATA DUMP REQUEST message is received.

```

STATUS          11110000 (F0H)
ID No.          01000011 (43H)
SUB STATUS      0000nnnn (0nH)          n=0 (Channel NO.1)~15 (Channel No.16)
FORMAT No.      01111110 (7EH)
BYTE COUNT      00000000 (00H)
BYTE COUNT      00011000 (18H)
                01001100 (4CH) "L"
                01001101 (4DH) "M"
                00100000 (20H) SPACE
                00100000 (20H) SPACE
                00111000 (38H) "8"
                00110110 (36H) "6"
                00110011 (33H) "3"
                00110110 (36H) "6"
DATA NAME       01010011 (53H) "S"
                00100000 (20H) SPACE
SOFT VERSION No. 0vvvvvvv
SOFT VERSION No. 0rrrrrrr
DATA            0ddddd          ┌ 13BYTE
                0ddddd          │
                0ddddd          └
CHECK SUM       0eeeeeee
EOX             11110111 (F7H)
    
```

SPX900

⑤ 49 Memory/All Banks/All ER Patterns/System Setup Data/Bulk Data

Transmission is enabled on the MIDI channel of the currently selected bank. Data is transmitted when BULK OUT 1 is displayed and ALL BULK OUT is executed. The data to be transmitted is the programs of Memory Nos. 51 - 99, all programs of the 4 bank change charts, the four ER patterns, and the System Setup data. The transmission order is as follows: programs of Memory Nos. 51 to 99, Bank A program change chart to Bank D program change chart, ER pattern A to ER pattern D, and System Setup data.

```

STATUS          11110000 (F0H)
ID No.          01000011 (43H)
SUB STATUS      0000nnnn (0nH)          n=0 (Channel No.1)~15 (Channel No.16)
FORMAT No.      01111110 (7EH)
BYTE COUNT      00000010 (02H)
BYTE COUNT      00001010 (0AH)
                01001100 (4CH) "L"
                01001101 (4DH) "M"
                00100000 (20H) SPACE
                00100000 (20H) SPACE
                00111000 (38H) "8"
                00110110 (36H) "6"
                00110011 (33H) "3"
                00110110 (36H) "6"
DATA NAME       01001101 (4DH) "M"
MEMORY No.      0mmmmmmmm          M=51 (Memory No.51)~99 (Memory No.99)
    
```

MEMORY 51

↓  
Continuous

DATA	0ddddddd	
CHECK SUM	0eeeeeee	
EOX	11110111 (F7H)	
STATUS	11110000 (F0H)	MEMORY 52
EOX	11110111 (F7H)	
STATUS	11110000 (F0H)	MEMORY 99
EOX	11110111 (F7H)	
STATUS	11110000 (F0H)	<div style="border: 1px solid black; padding: 5px;"> <p>n=0 (Channel No.1)~15 (Channel No.16)</p> </div>
ID No.	01000011 (43H)	
SUB STATUS	0000nnnn (0pH)	
FORMAT No.	01111110 (7EH)	
BYTE COUNT	00000001 (01H)	
BYTE COUNT	00001010 (0AH)	
	01001100 (4CH) "L"	
	01001101 (4DH) "M"	
	00100000 (20H) SPACE	
	00100000 (20H) SPACE	
	00111000 (38H) "8"	
	00110110 (36H) "6"	
	00110011 (33H) "3"	
	00110110 (36H) "6"	
DATA NAME	01010100 (54H) "T"	
BANK No.	0zzzzzzz	Z=BANK1~4 (1=A, 2=B, 3=C, 4=D)
DATA	0ddddddd	128BYTE
	0ddddddd	
CHECK SUM	0eeeeeee	
EOX	11110111 (F7H)	

BANK A

STATUS	11110000 (F0H)	BANK B
EOX	11110111 (F7H)	
STATUS	11110000 (F0H)	BANK C
EOX	11110111 (F7H)	
STATUS	11110000 (F0H)	BANK D
EOX	11110111 (F7H)	



Continuous

SPX900

STATUS	11110000 (F0H)	
ID No.	01000011 (43H)	
SUB STATUS	0000nnnn (0nH)	n=0 (Channel No.1)~15 (Channel No.16)
FORMAT No.	01111110 (7EH)	
BYTE COUNT	00000001 (01H)	
BYTE COUNT	01101110 (6EH)	
	01001100 (4CH) "L"	
	01001101 (4DH) "M"	
	00100000 (20H) SPACE	
	00100000 (20H) SPACE	
	00111000 (38H) "8"	
	00110110 (36H) "6"	
	00110011 (33H) "3"	
	00110110 (36H) "6"	
DATA NAME	01000101 (45H) "E" ER PATTERN	
ER PATTERN No.	0zzzzzzz	Z=BANK1~4 (1=A, 2=B, 3=C, 4=D)
DATA	0ddddd	228BYTE
	0ddddd	
CHECK SUM	0eeeeeee	
EOX	11110111 (F7H)	
ER PATTERN A		

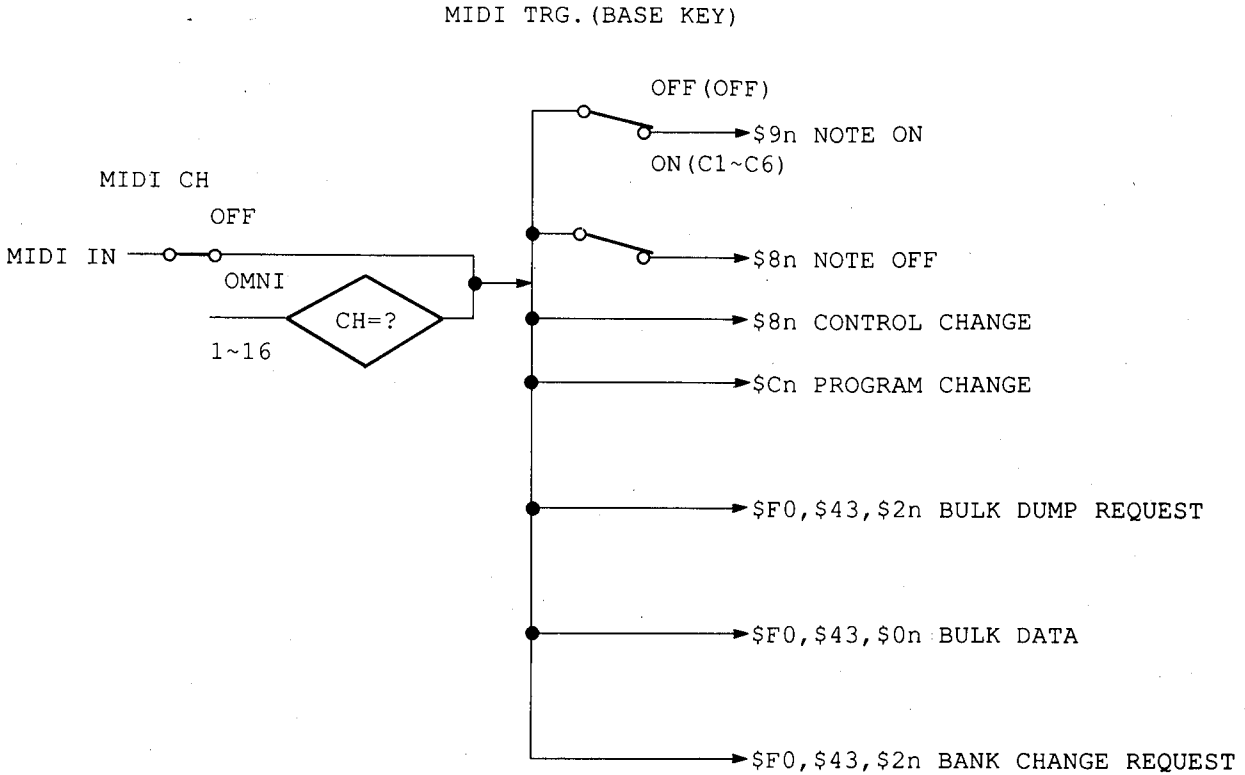
ER PATTERN A

STATUS	11110000 (F0H)	ER PATTERN B
EOX	11110111 (F7H)	
STATUS	11110000 (F0H)	ER PATTERN C
EOX	11110111 (F7H)	
STATUS	11110000 (F0H)	ER PATTERN D
EOX	11110111 (F7H)	

STATUS	11110000 (F0H)	
ID No.	01000011 (43H)	
SUB STATUS	0000nnnn (0nH)	n=0 (Channel No.1)~15 (Channel No.16)
FORMAT No.	01111110 (7EH)	
BYTE COUNT	00000000 (00H)	
BYTE COUNT	00011000 (18H)	
	01001100 (4CH) "L"	
	01001101 (4DH) "M"	
	00100000 (20H) SPACE	
	00100000 (20H) SPACE	
	00111000 (38H) "8"	
	00110110 (36H) "6"	
	00110011 (33H) "3"	
	00110110 (36H) "6"	
DATA NAME	01010100 (54H) "S"	
	00100000 (20H)	
SOFT VERSION No.	0vvvvvvv	
SOFT VERSION No.	orrrrrrr	
	0ddddd	13BYTE
	0ddddd	
CHECK SUM	0eeeeeee	
EOX	11110111 (F7H)	

SPX900

3.Receiving Conditions



4. Reception Data

4-1. Channel information

1) Channel voice messages

① Note On

Reception is enabled on the MIDI channel of the currently selected bank. For programs of Memory Nos. 1 -13, 27, and 34, if the parameter of MIDI TRG. is ON, this is received as a trigger.

For programs of Memory Nos. 28 - 32, this is received as a message to control pitch variation. Reception is not possible when the Base Key parameter is OFF

STATUS	1001nnnn (9nH)	n=0 (Channel No.1)~15 (Channel No.16)
NOTE No.	0kkkkkkk	k=0 (C-2)~127 (G8)
VELOCITY	ovvvvvvv	v=0~127

② Note Off

This message is used when playback of the Memory No. 32 FREEZE is finished. The velocity value is ignored. The reception conditions are the same as in ① Note On.

STATUS	1000nnnn (8nH)	n=0 (Channel No.1)~15 (Channel No.16)
NOTE No.	0kkkkkkk	k=0 (C-2)~127 (G8)
VELOCITY	ovvvvvvv	v=0~127

③ Control Change

Reception is enabled on the MIDI channel of the currently selected bank. When receiving, parameters can be controlled. Change them by using the corresponding controller based on the Control Assignment List.

STATUS	1011nnnn (BnH)	n=0 (CHANNEL NO.1)~15 (CHANNEL NO.16)
CONTROL NO.	0ccccccc	c=0~120
CONTROL VALUE	0vvvvvvvv	v=0~127

④ Program Change

Reception is enabled on the MIDI channel of the currently selected bank. When receiving, the desired program can be loaded, based on the program change chart of that particular bank.

STATUS	1100nnnn (CnH)	n=0 (CHANNEL NO.1)~15 (CHANNEL NO.16)
PROGRAM No.	0ppppppp	p=0~127

4-2. System Information

1) System exclusive messages

① Memory Bulk Dump Request

Reception is enabled on the MIDI channel of the currently selected bank. When this message is received, BULK OUT is executed for the program of the indicated memory number.

STATUS	11110000 (F0H)	
ID No.	01000011 (43H)	
SUB STATUS	0010nnnn (2nH)	n=0 (Channel No.1)~15 (Channel No.16)
FORMAT No.	01111110 (7EH)	
	01001100 (4CH) "L"	
	01001101 (4DH) "M"	
	00100000 (20H) SPACE	
	00100000 (20H) SPACE	
	00111000 (38H) "8"	
	00110110 (36H) "6"	
	00110011 (33H) "3"	
	00110110 (36H) "6"	
DATA NAME	01001101 (4DH) "M"	
MEMORY No.	0mmmmmmmm	M=1 (memory No.1)~99 (MEMORY No.99)
EOX	11110111 (F7H)	

② Program Change Chart Bulk Dump Request

Reception is enabled on the MIDI channel of the currently selected bank. When this message is received, BULK OUT is executed for the program change chart (the chart showing the correspondence between program numbers and memory numbers) of the indicated bank.

STATUS	11110000 (F0H)	
ID No.	01000011 (43H)	
SUB STATUS	0010nnnn (2nH)	n=0 (Channel No.1)~15 (Channel No.16)
FORMAT No.	01111110 (7EH)	
	01001100 (4CH) "L"	
	01001101 (4DH) "M"	

↓  
Continuous

00100000 (20H)SPACE

```

00100000 (20H)SPACE
00111000 (38H)"8"
00110110 (36H)"6"
00110011 (33H)"3"
00110110 (36H)"6"
DATA NAME 01010100 (54H)"T"
BANK No.   0zzzzzzz          Z=BANK1~4 (1=A, 2=B, 3=C, 4=D)
EOX        11110111 (F7H)

```

## ③ User ER Pattern Bulk Dump Request

Reception is enabled on the MIDI channel of the currently selected bank. When this message is received, BULK OUT is executed for the data of the indicated ER pattern number.

```

STATUS      11110000 (F0H)
ID No.      01000011 (43H)
SUB STATUS   0010nnnn (2nH)          n=0(Channel No.1)~15(Channel No.16)
FORMAT No.: 01111110 (7EH)
             01001100 (4CH)"L"
             01001101 (4DH)"M"
             00100000 (20H)SPACE
             00100000 (20H)SPACE
             00111000 (38H)"8"
             00110110 (36H)"6"
             00110011 (33H)"3"
             00110110 (36H)"6"
DATA NAME    01000101 (45H)"E"
ER PATTERN No. 0zzzzzzz          z=ER PATTERN1~4 (1=A, 2=B, 3=C, 4=D)
EOX          11110111 (F7H)

```

## ④ System Setup Data Bulk Dump Request

Reception is enabled on the MIDI channel of the currently selected bank. When this message is received, BULK OUT is executed for System Setup data.

```

STATUS      11110000 (F0H)
ID No.      01000011 (43H)
SUB STATUS   0010nnnn (2nH)          n=0(Channel No.1)~15(Channel No.16)
FORMAT No.: 01111110 (7EH)
             01001100 (4CH)"L"
             01001101 (4DH)"M"
             00100000 (20H)SPACE
             00100000 (20H)SPACE
             00111000 (38H)"8"
             00110110 (36H)"6"
             00110011 (33H)"3"
             00110110 (36H)"6"
DATA NAME    01010100 (54H)"S"
             00100000 (20H)
EOX          11110111 (F7H)

```

## SPX900

### ⑤ Bank Change Request

Reception is enabled on the MIDI channel of the currently selected bank. When this message is received, the desired bank can be switched to.

STATUS	11110000 (F0H)	
ID No.	01000011 (43H)	
SUB STATUS	0010nnnn (2nH)	n=0 (Channel No.1)~15 (Channel No.16)
FORMAT No.	01111110 (7EH)	
	01001100 (4CH) "L"	
	01001101 (4DH) "M"	
	00100000 (20H) SPACE	
	00100000 (20H) SPACE	
	00111000 (38H) "8"	
	00110110 (36H) "6"	
	00110011 (33H) "3"	
	00110110 (36H) "6"	
DATA NAME	01010101 (55H) "U"	
BANK No.	0zzzzzzz	Z=BANK1~4 (1=A, 2=B, 3=C, 4=D)
EOX	11110111 (F7H)	

### ⑥ Memory Bulk Data

Same as "Memory Bulk Data" for transmission.

### ⑦ Bank Program Change Chart Bulk Data

Same as "Bank Program Change Chart Bulk Data" for transmission.

### ⑧ User ER Pattern Bulk Data

Same as "User ER Pattern Bulk Data" for transmission.

### ⑨ System Setup Bulk Data

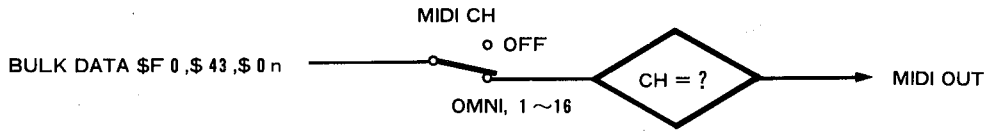
Same as "System Setup Bulk Data" for transmission.

When receiving from the MIDI Data Filer MDF1, a computer, or other sources, the time interval between data exchanges with the other unit must be set to 30msec or longer.



■ MIDI データフォーマット

1. 送信条件



2. 送信データ

2-1 システムインフォメーション

システムエクスクルーシブメッセージ

①メモリー・バルクデータ

現在選択されているバンクの MIDI チャンネルで送信可能です。  
 データは、バルクアウト 1 の表示にしてバルクアウトを実行したとき、メモリー・バルクダンプ・リクエストのメッセージを受信したときに送信します。送信するデータは、指定したメモリー・NO. のプログラムです。  
 また、メモリー・NO. が "\*" のときは、メモリー 51~99 のデータを連続して送信します。

ステータス	1 1 1 1 0 0 0 0 (F 0 H)
ID No.	0 1 0 0 0 0 1 1 (4 3 H)
サブステータス	0 0 0 0 n n n n (0 n H) n=0 (チャンネルナンバー1)~15 (チャンネルナンバー16)
フォーマットNo.	0 1 1 1 1 1 1 0 (7 E H)
バイトカウント	0 0 0 0 0 0 1 0 (0 2 H)
バイトカウント	0 0 0 0 1 0 1 0 (0 A H)
	0 1 0 0 1 1 0 0 (4 C H)"L"
	0 1 0 0 1 1 0 1 (4 D H)"M"
	0 0 1 0 0 0 0 0 (2 0 H)スペース
	0 0 1 0 0 0 0 0 (2 0 H)スペース
	0 0 1 1 1 0 0 0 (3 8 H)"8"
	0 0 1 1 0 1 1 0 (3 6 H)"6"
	0 0 1 1 0 0 1 1 (3 3 H)"3"
	0 0 1 1 0 1 1 0 (3 6 H)"6"
データネーム	0 1 0 0 1 1 0 1 (4 D H)"M"
メモリーNo.	0 m m m m m m m M=1(メモリーNo.1)~99 (メモリーNo.99)
データ	0 d d d d d d d d
	↓
チェックサム	0 d d d d d d d d
EOX	0 e e e e e e e e
	1 1 1 1 0 1 1 1 (F 7 H)

256バイト

②バンク・プログラムチェンジテーブル・バルクデータ

現在選択されているバンクの MIDI チャンネルで送信可能です。  
 データは、バルクアウト 1 の表示にしてバルクアウトを実行したとき、プログラムチェンジテーブル・バルクダンプ・リクエストのメッセージを受信したときに送信します。送信するデータは、プログラムチェンジテーブル(プログラムNo.とメモリー・NO.の対応表)です。  
 バンクNO.が "\*" のときは、バンク 1~4 (A~D)のデータを連続して、送信します。

ステータス	1 1 1 1 0 0 0 0 (F 0 H)
ID No.	0 1 0 0 0 0 1 1 (4 3 H)
サブステータス	0 0 0 0 n n n n (0 n H) n=0 (チャンネルナンバー1)~15 (チャンネルナンバー16)
フォーマットNo.	0 1 1 1 1 1 1 0 (7 E H)
バイトカウント	0 0 0 0 0 0 0 1 (0 1 H)
バイトカウント	0 0 0 0 1 0 1 0 (0 A H)
	0 1 0 0 1 1 0 0 (4 C H)"L"
	0 1 0 0 1 1 0 1 (4 D H)"M"
	0 0 1 0 0 0 0 0 (2 0 H)スペース
	0 0 1 0 0 0 0 0 (2 0 H)スペース
	0 0 1 1 1 0 0 0 (3 8 H)"8"
	0 0 1 1 0 1 1 0 (3 6 H)"6"
	0 0 1 1 0 0 1 1 (3 3 H)"3"
	0 0 1 1 0 1 1 0 (3 6 H)"6"
データネーム	0 1 0 1 0 1 0 0 (5 4 H)"T"
バンクNo.	0 z z z z z z z Z=バンク1~4(1=A, 2=B, 3=C, 4=D)
データ	0 d d d d d d d d
	↓
チェックサム	0 d d d d d d d d
EOX	0 e e e e e e e e
	1 1 1 1 0 1 1 1 (F 7 H)

128バイト

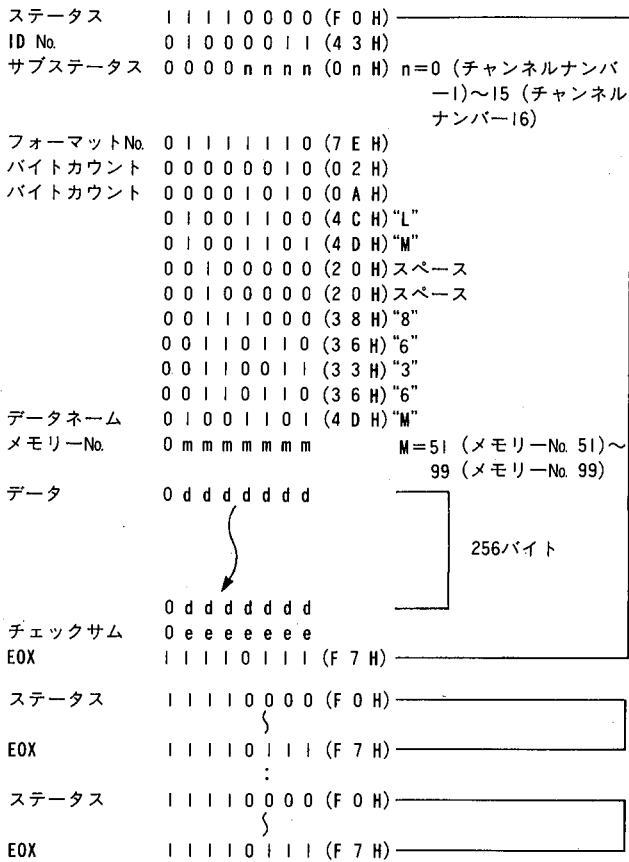
SPX900



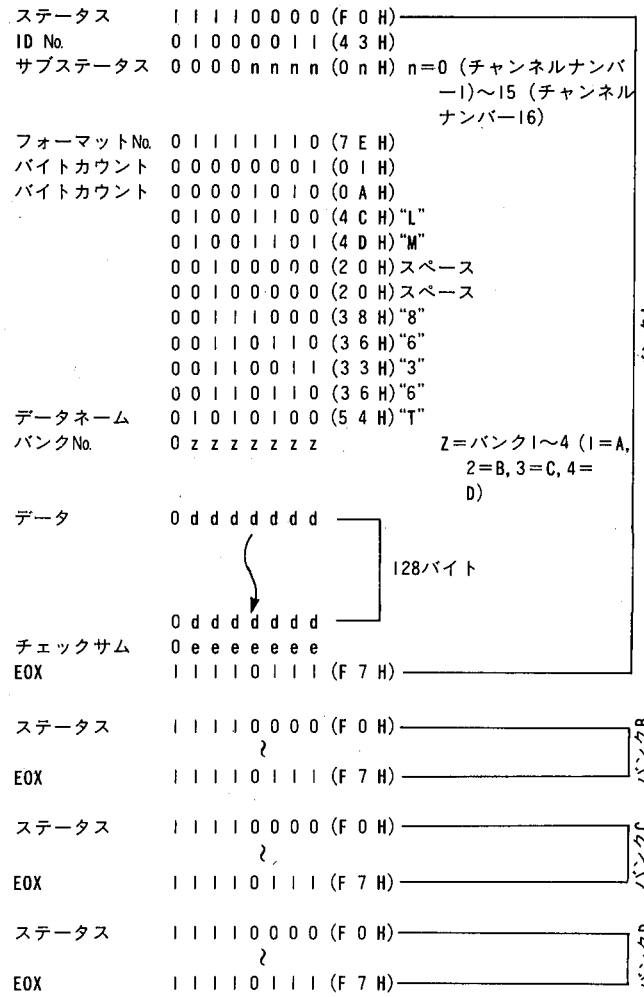
④ 49 メモリー・全バンク・全 ER パターン・システムセットアップデータ・バルクデータ

現在選択されているバンクの MIDI チャンネルで送信可能です。

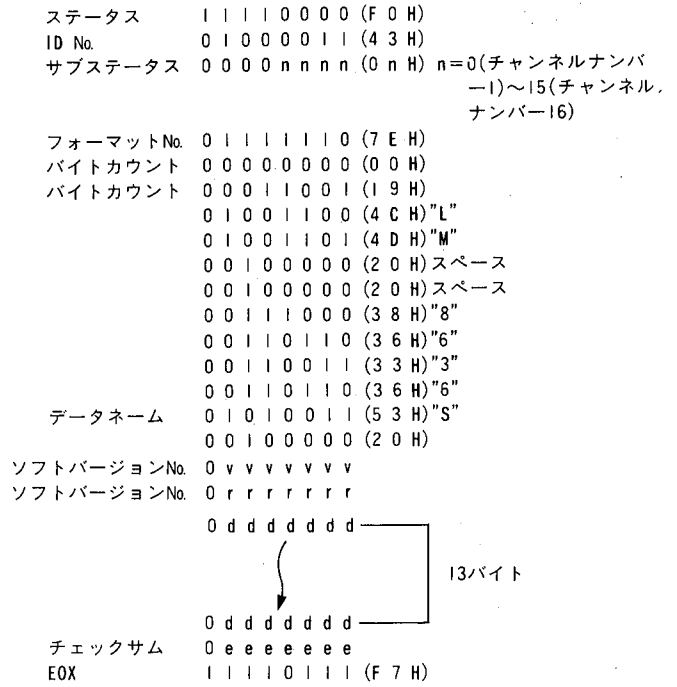
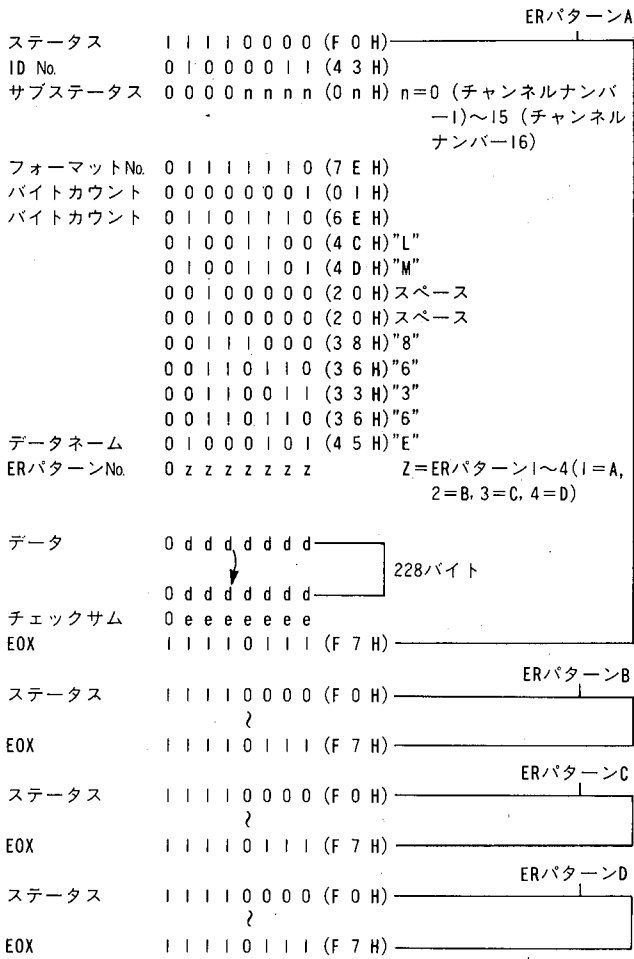
データは、バルクアウト 1 の表示にして ALL バルクアウトを実行したときに送信し、送信するデータは、メモリー No. 51~99 のプログラムと 4 バンクすべてのプログラムチェンジテーブルと 4 つの ER パターンとシステムセットアップデータです。メモリー No. 51 のプログラム...メモリー No. 99 のプログラム、バンク A のプログラムチェンジテーブル...バンク D のプログラムチェンジテーブル、ER パターン A...ER パターン D、システムセットアップデータの順に送信します。



↓  
右段へ続く

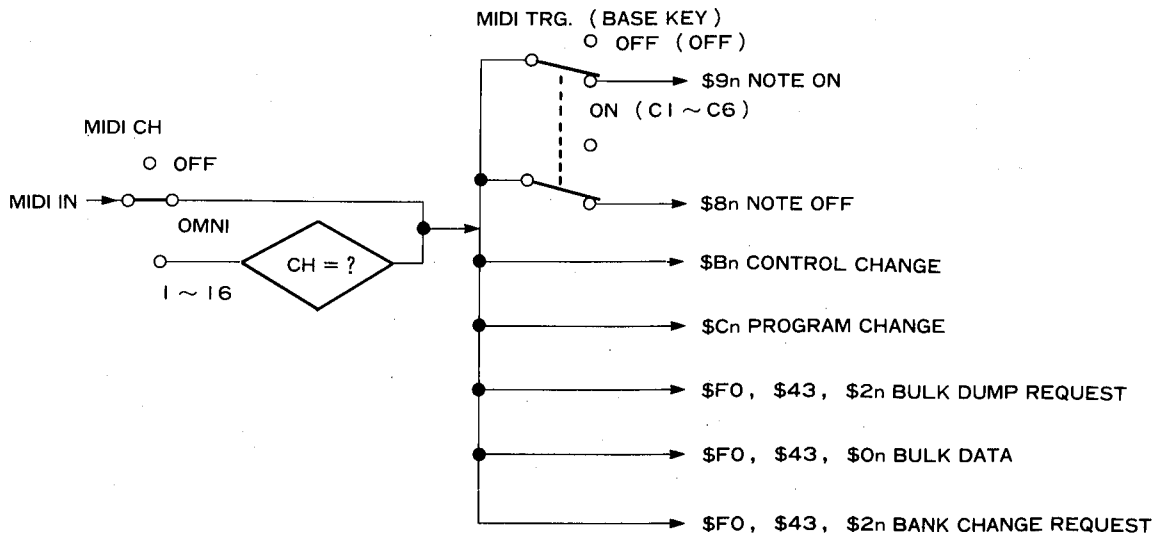


↓  
次ページへ続く



↓  
右段へ続く

### 3. 受信条件



## 4. 受信データ

### 4-1 チャンネルインフォメーション

#### チャンネルボイスメッセージ

##### ① ノートオン

現在選択されているバンクの MIDI チャンネルで受信可能です。

メモリーNo.1~13, 27, 34のプログラムのとき、MIDI TRG.のパラメーターが ON になっていればトリガーとして受信します。

また、メモリーNo.28~32のプログラムのときは、音程差をコントロールするためのメッセージとして受信します。ただし、BASEKEYのパラメーターが OFF になっていると受信しません。

ステータス 1 0 0 1 n n n n (9 n H) n=0 (チャンネルナンバー-1)~15 (チャンネルナンバー-16)

ノートNo. 0 k k k k k k k k K=0 (C-2) ~127 (G8)

ベロシティ 0 v v v v v v v v v v=0~127

##### ② ノートオフ

このメッセージは、メモリーNo.32FREEZEの再生終了に使用されます。ベロシティの値は、無視されます。なお受信条件は、①のノートオン・メッセージの場合とおなじです。

ステータス 1 0 0 0 n n n n (8 n H) n=0 (チャンネルナンバー-1)~15 (チャンネルナンバー-16)

ノートNo. 0 k k k k k k k k K=0 (C-2) ~127 (G8)

ベロシティ 0 v v v v v v v v v v=0~127

##### ③ コントロールチェンジ

現在選択されているバンクの MIDI チャンネルで受信可能です。

受信すると、コントロールアサイン表にもとづき、対応するフットコントローラで変化させるパラメータをコントロールすることができます。

ステータス 1 0 1 1 n n n n (B n H) n=0 (チャンネルナンバー-1)~15 (チャンネルナンバー-16)

コントロールNo. 0 c c c c c c c c c c=0~120

コントロール値 0 v v v v v v v v v v=0~127

##### ④ プログラムチェンジ

現在選択されているバンクの MIDI チャンネルで受信可能です。

受信すると、そのバンクのプログラムチェンジテーブルにもとづき、任意のプログラムが呼び出されます。

ステータス 1 1 0 0 n n n n (C n H) n=0 (チャンネルナンバー-1)~15 (チャンネルナンバー-16)

プログラムNo. 0 p p p p p p p p p p=0~127

### 4-2 システムインフォメーション

#### システムエクスクルーシブメッセージ

##### ① メモリー・バルクダンプ・リクエスト

現在選択されているバンクの MIDI チャンネルで受信可能です。

メッセージを受信すると、指定されたメモリーNo.のプログラムをバルクアウトします。

ステータス 1 1 1 1 0 0 0 0 (F 0 H)

ID No. 0 1 0 0 0 0 1 1 (4 3 H)

サブステータス 0 0 1 0 n n n n (2 n H) n=0 (チャンネルナンバー-1)~15 (チャンネルナンバー-16)

フォーマットNo. 0 1 1 1 1 1 1 0 (7 E H)

0 1 0 0 1 1 0 0 (4 C H) "L"

0 1 0 0 1 1 0 1 (4 D H) "M"

0 0 1 0 0 0 0 0 (2 0 H) スペース

0 0 1 0 0 0 0 0 (2 0 H) スペース

0 0 1 1 0 0 0 0 (3 8 H) "8"

0 0 1 1 0 1 1 0 (3 6 H) "6"

0 0 1 1 0 0 1 1 (3 3 H) "3"

0 0 1 1 0 1 1 0 (3 6 H) "6"

データネーム 0 1 0 0 1 1 0 1 (4 D H) "M"

メモリーNo. 0 m m m m m m m m m M=1 (メモリーNo.1)~99 (メモリーNo.99)

EOX 1 1 1 1 0 1 1 1 (F 7 H)

##### ② プログラムチェンジテーブル・バルクダンプ・リクエスト

現在選択されているバンクの MIDI チャンネルで受信可能です。

メッセージを受信すると、指定されたバンクのプログラムチェンジテーブル (プログラム NO.とメモリー NO.の対応表) をバルクアウトします。

ステータス 1 1 1 1 0 0 0 0 (F 0 H)

ID No. 0 1 0 0 0 0 1 1 (4 3 H)

サブステータス 0 0 1 0 n n n n (2 n H) n=0 (チャンネルナンバー-1)~15 (チャンネルナンバー-16)

フォーマットNo. 0 1 1 1 1 1 1 0 (7 E H)

0 1 0 0 1 1 0 0 (4 C H) "L"

0 1 0 0 1 1 0 1 (4 D H) "M"

0 0 1 0 0 0 0 0 (2 0 H) スペース

0 0 1 0 0 0 0 0 (2 0 H) スペース

0 0 1 1 0 0 0 0 (3 8 H) "8"

0 0 1 1 0 1 1 0 (3 6 H) "6"

0 0 1 1 0 0 1 1 (3 3 H) "3"

0 0 1 1 0 1 1 0 (3 6 H) "6"

データネーム 0 1 0 1 0 1 0 0 (5 4 H) "T"

バンクNo. 0 z z z z z z z z Z=バンク1~4 (1=A, 2=B, 3=C, 4=D)

EOX 1 1 1 1 0 1 1 1 (F 7 H)

③ユーザー・ERパターン・バルクダンプ・リクエスト

現在選択されているバンクのMIDIチャンネルで受信可能です。

メッセージを受信すると、指定されたERパターンNO.のデータをバルクアウトします。

ステータス 11110000 (F0H)  
 ID No. 01000011 (43H)  
 サブステータス 0010nnnn (2nH) n=0 (チャンネルナンバー1)~15 (チャンネルナンバー16)

フォーマットNo. 01111110 (7EH)  
 01001100 (4CH) "L"  
 01001101 (4DH) "M"  
 00100000 (20H) スペース  
 00100000 (20H) スペース  
 00111000 (38H) "8"  
 00110110 (36H) "6"  
 00110011 (33H) "3"  
 00110110 (36H) "6"

データネーム 01000101 (45H) "E"  
 ERパターンNo. 0zzzzzzz Z=ERパターン1~4  
 (1=A, 2=B, 3=C, 4=D)

EOX 11110111 (F7H)

④システムセットアップデータ、バルクダンプ・リクエスト

現在選択されているバンクのMIDIチャンネルで受信可能です。

メッセージを受信すると、システムセットアップデータをバルクアウトします。

ステータス 11110000 (F0H)  
 ID No. 01000011 (43H)  
 サブステータス 0010nnnn (2nH) n=0 (チャンネルナンバー1)~15 (チャンネルナンバー16)

フォーマットNo. 01111110 (7EH)  
 01001100 (4CH) "L"  
 01001101 (4DH) "M"  
 00100000 (20H) スペース  
 00100000 (20H) スペース  
 00111000 (38H) "8"  
 00110110 (36H) "6"  
 00110011 (33H) "3"  
 00110110 (36H) "6"

データネーム 01010011 (53H) "S"  
 00100000 (20H) スペース

EOX 11110111 (F7H)

⑤バンクチェンジ・リクエスト

現在選択されているバンクのMIDIチャンネルで受信可能です。

メッセージを受信すると、任意のバンクに切り替わります。

ステータス 11110000 (F0H)  
 ID No. 01000011 (43H)  
 サブステータス 0010nnnn (2nH) n=0 (チャンネルナンバー1)~15 (チャンネルナンバー16)

フォーマットNo. 01111110 (7EH)  
 01001100 (4CH) "L"  
 01001101 (4DH) "M"  
 00100000 (20H) スペース  
 00100000 (20H) スペース  
 00111000 (38H) "8"  
 00110110 (36H) "6"  
 00110011 (33H) "3"  
 00110110 (36H) "6"

データネーム 01010101 (55H) "U"  
 バンクNo. 0zzzzzzz Z=バンク1~4 (1=A, 2=B, 3=C, 4=D)

EOX 11110111 (F7H)

⑥メモリー・バルクデータ

送信データの"メモリー・バルクデータ"と同様。

⑦バンク・プログラムチェンジテーブル・バルクデータ

送信データの"バンク・プログラムチェンジテーブル・バルクデータ"と同様。

⑧ユーザー・ERパターン・バルクデータ

送信データ"ユーザー・ERパターン・バルクデータ"と同様。

⑨システムセットアップ・バルクデータ

送信データの"システムセットアップバルクデータ"と同様

なお、MIDIデータファイラー MDF1 やコンピュータなどから受信する場合は、相手側の機器のデータ間の時間間隔 (F7~F0) は、30ms以上の設定にする必要があります。

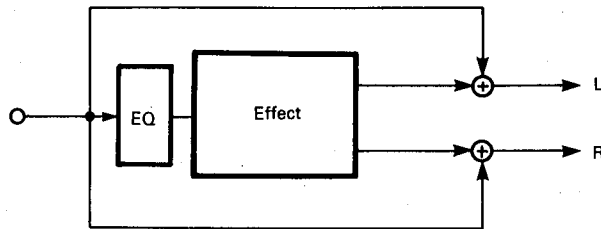
Function ...	Transmitted	Recognized	Remarks
Basic Default	: x	: 1 - 16, off	: memorized
Channel Changed	: x	: 1 - 16, off	:
Mode Default	: x	: OMNIoff/OMNIon	: memorized
Mode Messages	: x	: x	:
Mode Altered	: *****	: x	:
Note Number : True voice	: x	: 0 - 127	:
Velocity Note ON	: x	: x	:
Velocity Note OFF	: x	: x	:
After Key's	: x	: x	:
Touch Ch's	: x	: x	:
Pitch Bender	: x	: x	:
0 - 120	: x	: 0	:
Control Change	:	:	:
Prog Change : True #	: x	: 0 0 - 127	: *1
System Exclusive	: 0	: 0	: Bulk Dump
System : Song Pos	: x	: x	:
System : Song Sel	: x	: x	:
Common : Tune	: x	: x	:
System : Clock	: x	: x	:
Real Time : Commands	: x	: x	:
Aux : Local ON/OFF	: x	: x	:
Aux : All Notes OFF	: x	: x	:
Mes- : Active Sense	: x	: 0	: *2
sages:Reset	: x	: x	:
Notes: *1	= For program 1 - 128, memory #1 - #99 is selected.		
Notes: *2	= Active sensing is recognized only in "freeze".		

Mode 1 : OMNI ON, POLY      Mode 2 : OMNI ON, MONO      o : Yes  
 Mode 3 : OMNI OFF, POLY    Mode 4 : OMNI OFF, MONO    x : No

SPX900

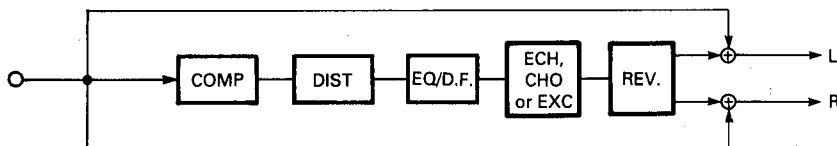
■ EFFECT MODE (エフェクトモード)

① SINGLE (No. 1 ~ 37)

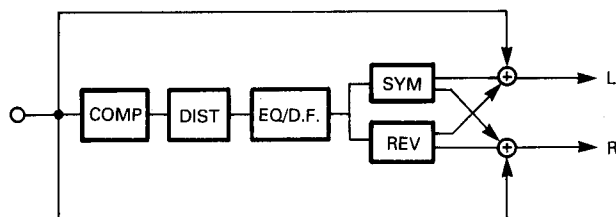


② MULTI (No. 38 ~ 47)

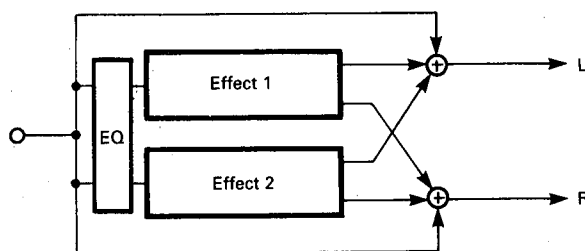
No.38 ~ 39 MULTI(ECH&REV)  
 No.40 ~ 42 MULTI(CHO&REV)  
 No.46 ~ 47 MULTI(EXC&REV)



No.43 ~ 45 MULTI(SYM+REV)

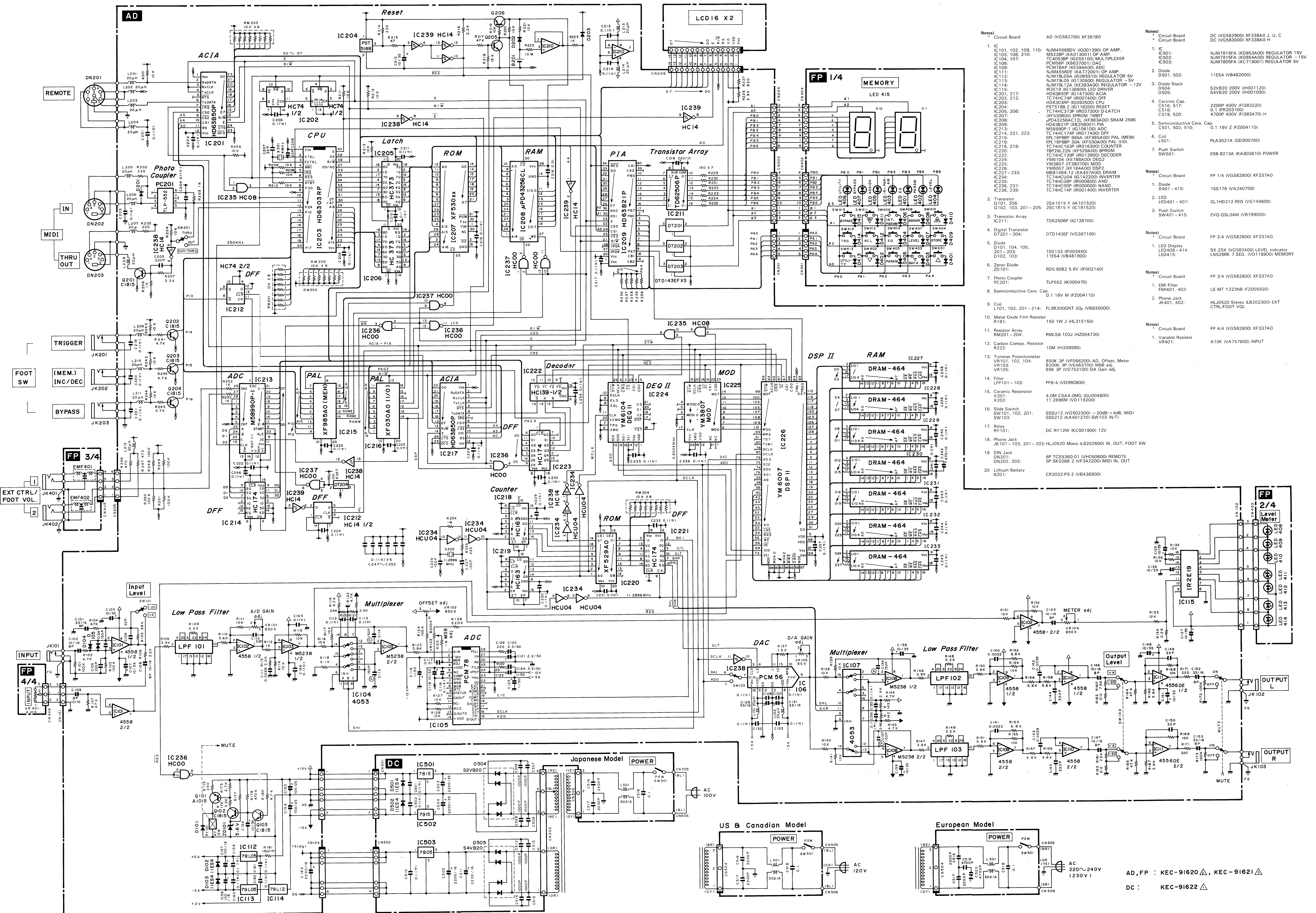


③ DUAL (No. 48 ~ 50)





# SPX900 OVERALL CIRCUIT DIAGRAM

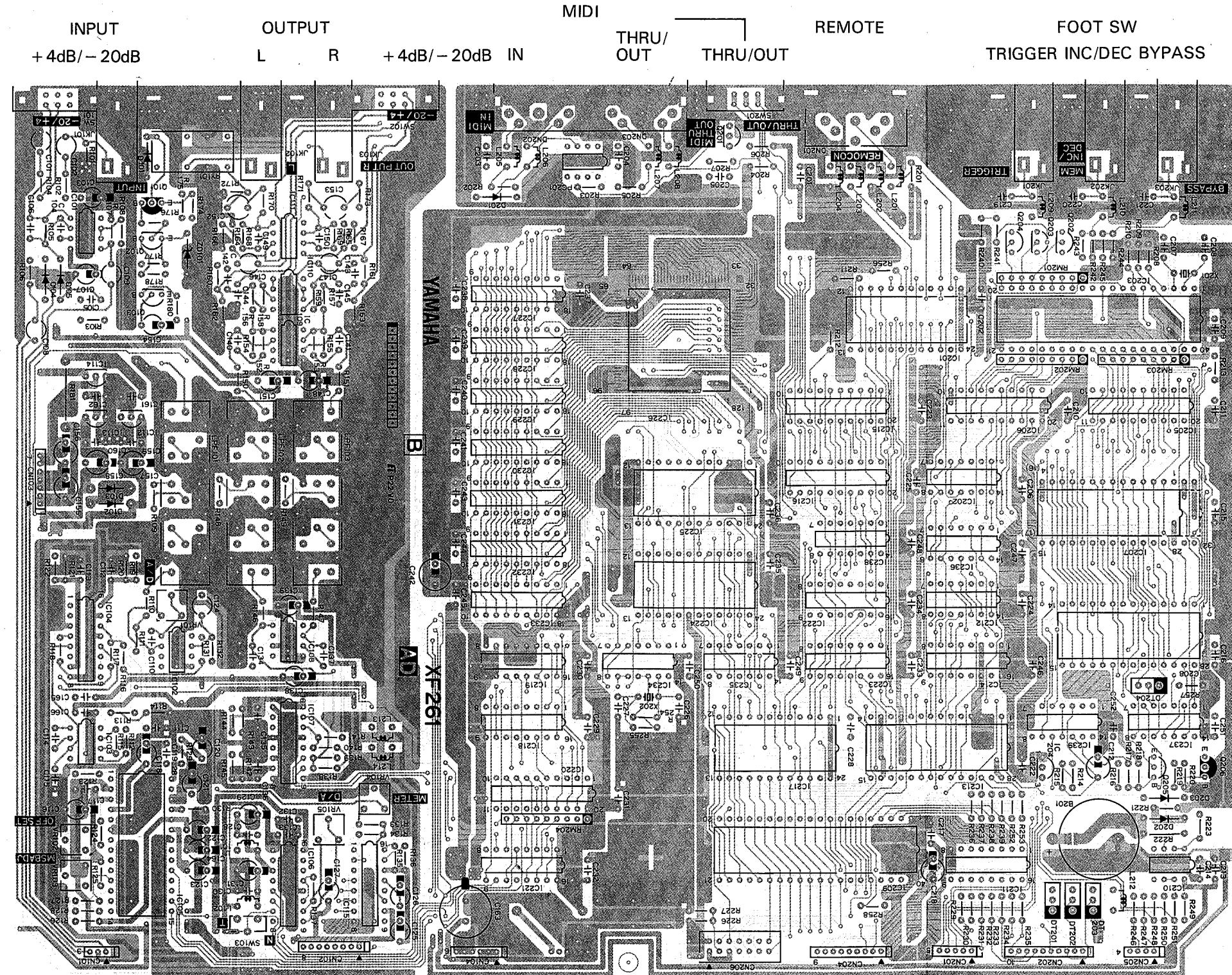


- Notes:
- |       |   |                             |                                      |
|-------|---|-----------------------------|--------------------------------------|
| 1. IC | IC101, 102, 108, 110: NJM4558BDD (IG001390) OP AMP. | 1. IC                       | IC (VG582900) XF338A0 J. U. C        |
|       | IC103, 105, 210: MS238P (AD12001) OP AMP.           | 2. Diode                    | DC (VG583000) XF338A0 H              |
|       | IC104, 107: TC4053BP (IG055100) MULTIPLEXER         | IC501:                      | NJM7815FA (XD853A00) REGULATOR 15V   |
|       | IC106:  | IC502:                      | NJM7815FA (XD854A00) REGULATOR -15V  |
|       | IC108:  | IC503:                      | NJM7805FA (IC718001) REGULATOR 5V    |
|       | IC111:  |                             |                                      |
|       | IC112:  | 2. Diode                    | D501, 502: 11E54 (VB482000)          |
|       | IC113:  | 3. Diode Stack              | D504: S2V820 200V (IH001120)         |
|       | IC114:  | CS18:                       | S4V820 200V (IH001000)               |
|       | IC115:  | 4. Ceramic Cap.             | C516, 517: 2200P 400V (IF383220)     |
|       | IC201, 217:   | CS19:                       | 0.1 (FR203100)                       |
|       | IC202, 212:   | CS18, 520:                  | 4700P 400V (IF383470) H              |
|       | IC203:  | 5. Semiconductor Cera. Cap. | C501, 502, 510: 0.1 16V Z (FZ004110) |
|       | IC204:  | 6. Coil                     | L501: PLA3021A (IGD90760)            |
|       | IC205, 206:   | 7. Push Switch              | SW501: ESB-8213A (KA803610) POWER    |
|       | IC208:  |                             |                                      |
|       | IC209:  |                             |                                      |
|       | IC212:  |                             |                                      |
|       | IC214, 221, 223:                                    |                             |                                      |
|       | IC215:  |                             |                                      |
|       | IC216:  |                             |                                      |
|       | IC218, 219:   |                             |                                      |
|       | IC220:  |                             |                                      |
|       | IC222:  |                             |                                      |
|       | IC223:  |                             |                                      |
|       | IC225:  |                             |                                      |
|       | IC227-233:  |                             |                                      |
|       | IC234:  |                             |                                      |
|       | IC235:  |                             |                                      |
|       | IC236, 237:   |                             |                                      |
|       | IC238, 239:   |                             |                                      |
- Notes:
- |                |                                       |
|----------------|---------------------------------------|
| 1. Diode       | D401 - 415: 1S5176 (VA240700)         |
| 2. LED         | LED401 - 407: GL1HD212 RED (VG149600) |
| 3. Push Switch | SW401 - 415: EVQ-QSL04M (VB799000)    |
- Notes:
- |                |   |
|----------------|---|
| 1. LED Display | LED408 - 414: SX-25X (VG583400) LEVEL indicator |
|                | LED415: LN526R 7 SEG. (VD118900) MEMORY         |
- Notes:
- |               |   |
|---------------|---|
| 1. EMI Filter | EM401, 402: LS MT Y2238 (F2005920)                      |
| 2. Phone Jack | JK401, 402: HLJ0520 Stereo (LB202300) EXT CTRL/FOOT VOL |
- Notes:
- |                      |                              |
|----------------------|------------------------------|
| 1. Variable Resistor | VR401: A10K (VA757600) INPUT |
|----------------------|------------------------------|

AD, FP : KEC-91620, KEC-91621  
 DC : KEC-91622

■ CIRCUIT BOARDS (シート基板図)

• AD Circuit Board



Components side (部品側)

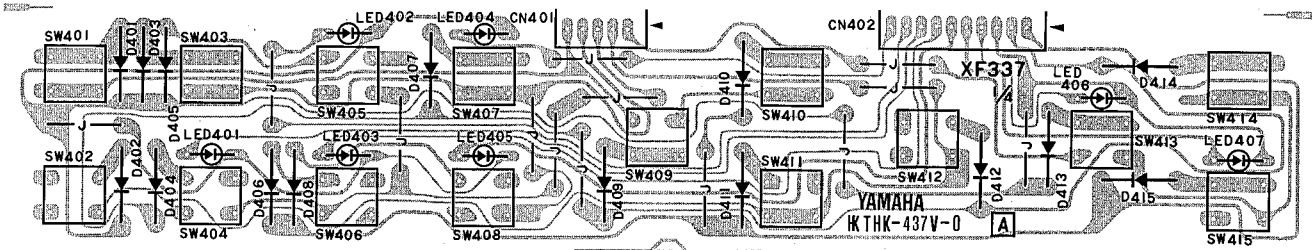
- |  |   |                                       |  |
|--|---|---------------------------------------|--|
| 16. Slide Switch<br>SW101, 102, 201:<br>SW103: | SSSU12 (VG502300) -20dB/+4dB, MIDI<br>SSS212 (KA401270) SW103 (N/T) | 19. DIN Jack<br>DN201:<br>DN202, 203: | 6P TCS5360-01 (VH050600) REMOTE<br>5P SK0266 2 (VF342200) MIDI IN, OUT |
| 17. Relay<br>RY101:                            | DC RY12W (KC001900) 12V   | 20. Lithium Battery<br>B201:          | CR2032-P5-2 (VB436900)   |
| 18. Phone Jack<br>JK101 ~ 103, 201 ~ 203:      | HLJ0520 Mono (LB202600) IN, OUT, FOOT SW                            |                                       |  |

Notes)

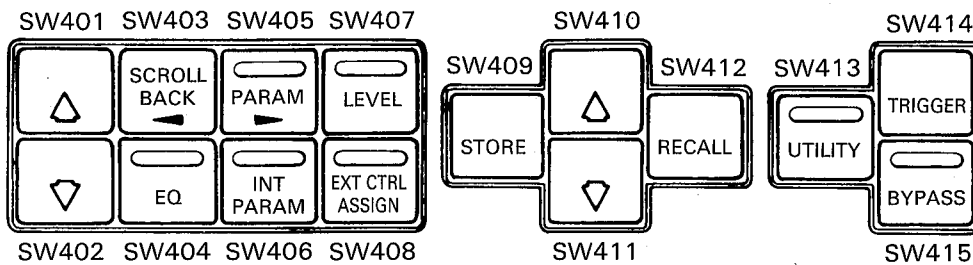
- |                               |                                      |
|-------------------------------|--------------------------------------|
| * Circuit Board               | AD (VG582700) XF261B0                |
| 1. IC                         |                                      |
| IC101, 102, 109, 110:         | NJM45588DV (IG001390) OP AMP.        |
| IC103, 108, 210:              | M5238P (XA013001) OP AMP.            |
| IC104, 107:                   | TC4053BP (IG055100) MULTIPLEXER      |
| IC106:                        | PCM56P (XB637001) DAC                |
| IC108:                        | PCM78AP (XE394A00) ADC               |
| IC111:                        | NJM4556DE (XA772001) OP AMP.         |
| IC112:                        | NJM78L05A (IG065510) REGULATOR 5V    |
| IC113:                        | NJM79L05 (IG130500) REGULATOR -5V    |
| IC114:                        | NJM79L12A (XE393A00) REGULATOR -12V  |
| IC115:                        | IR2E19 (IG136600) LED DRIVER         |
| IC201, 217:                   | HD63B50P (IG147300) ACIA             |
| IC202, 212:                   | TC74HC74P (IR007400) DFF             |
| IC203:                        | HD6303RP (IG093500) CPU              |
| IC204:                        | PST518B-2 (IG116200) RESET           |
| IC205, 206:                   | TC74HC373P (IR037300) D-LATCH        |
| IC207:                        | (XF530B00) EPROM 1MBIT               |
| IC208:                        | μPD43256AC12L (XF863A00) SRAM 256K   |
| IC209:                        | HD63B21P (XB258001) PIA              |
| IC213:                        | M58990P-1 (IG106100) ADC             |
| IC214, 221, 223:              | TC74HC174P (IR017400) DFF            |
| IC215:                        | EPL16P8BP 985A (XF985A00) PAL (MEM)  |
| IC216:                        | EPL16P8BP 30A (XF030A00) PAL (I/O)   |
| IC218, 219:                   | TC74HC163P (IR016300) COUNTER        |
| IC220:                        | TBP28L22N (XF529A00) BPROM           |
| IC222:                        | TC74HC139P (IR013900) DECODER        |
| IC224:                        | YM6104 (XE788A00) DEQ2               |
| IC225:                        | YM3807 (IT380700) MOD                |
| IC226:                        | YM6007 (XF164A00) DSP2               |
| IC227 ~ 233:                  | MB81464-12 (XA457A00) DRAM           |
| IC234:                        | TC74HCU04 (IG142200) INVERTER        |
| IC235:                        | TC74HC08P (IR000800) AND             |
| IC236, 237:                   | TC74HC00P (IR000000) NAND            |
| IC238, 239:                   | TC74HC14P (IR001400) INVERTER        |
| 2. Transistor                 |                                      |
| Q101, 206:                    | 2SA1015 Y (IA101520)                 |
| Q102, 103, 201 ~ 205:         | 2SC1815 Y (IC181520)                 |
| 3. Transistor Array           |                                      |
| IC211:                        | TD62506P (IG138700)                  |
| 4. Digital Transistor         |                                      |
| DT201 ~ 204:                  | DTD143EF (VG387100)                  |
| 5. Diode                      |                                      |
| D101, 104, 105,<br>201 ~ 203: | 1SS133 (IF003450)                    |
| D102, 103:                    | 11ES4 (VB481900)                     |
| 6. Zener Diode                |                                      |
| ZD101:                        | RD5.6EB2 5.6V (IF002140)             |
| 7. Photo Coupler              |                                      |
| PC201:                        | TLP552 (IK000470)                    |
| 8. Semiconductive Cera. Cap.  |                                      |
|                               | 0.1 16V M (FZ004110)                 |
| 9. Coil                       |                                      |
| L101, 102, 201 ~ 214:         | FL5R200QNT 20μ (VB835000)            |
| 10. Metal Oxide Film Resistor |                                      |
| R181:                         | 150 1W J (HL315150)                  |
| 11. Resistor Array            |                                      |
| RM201 ~ 204:                  | RMLS8-103J (HZ004730)                |
| 12. Carbon Compo. Resistor    |                                      |
| R222:                         | 10M (HI209990)                       |
| 13. Trimmer Potentiometer     |                                      |
| VR101, 102, 104:              | B50K 3P (VF066200) AD, Offset, Meter |
| VR103:                        | B200K 3P (VE463700) MSB adj.         |
| VR105:                        | B5K 3P (VD753100) DA Gain adj.       |
| 14. Filter                    |                                      |
| LFP101 ~ 103:                 | PFB-4 (VD980800)                     |
| 15. Ceramic Resonator         |                                      |
| X201:                         | 4.0M CSA4.0MG (GU004800)             |
| X202:                         | 11.2896M (VD119200)                  |



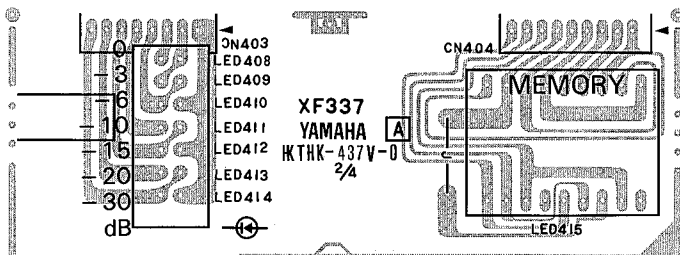
• FP 1/4 Circuit Board



Components side (部品側)



• FP 2/4 Circuit Board



Components side (部品側)

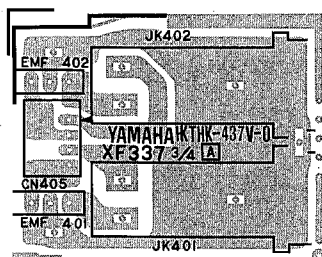
Notes)

- \* Circuit Board
- 1. LED Display

FP 2/4 (VG582800) XF337A0

SX-25X (VG583400) LEVEL indicator  
LN526RK 7 SEG. (VD118900) MEMORY

• FP 3/4 Circuit Board



Components side (部品側)

Notes)

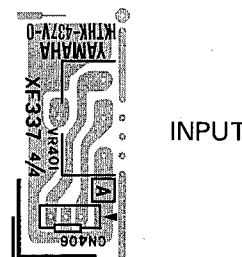
- \* Circuit Board
- 1. EMI Filter
- 2. Phone Jack

FP 3/4 (VG582800) XF337A0

LS MT Y223NB (FZ005920)

HLJ0520 Stereo (LB202300) EXT CTRL/FOOT VOL

• FP 4/4 Circuit Board



Components side (部品側)

Notes)

- \* Circuit Board
- 1. Variable Resistor

FP 4/4 (VG582800) XF337A0

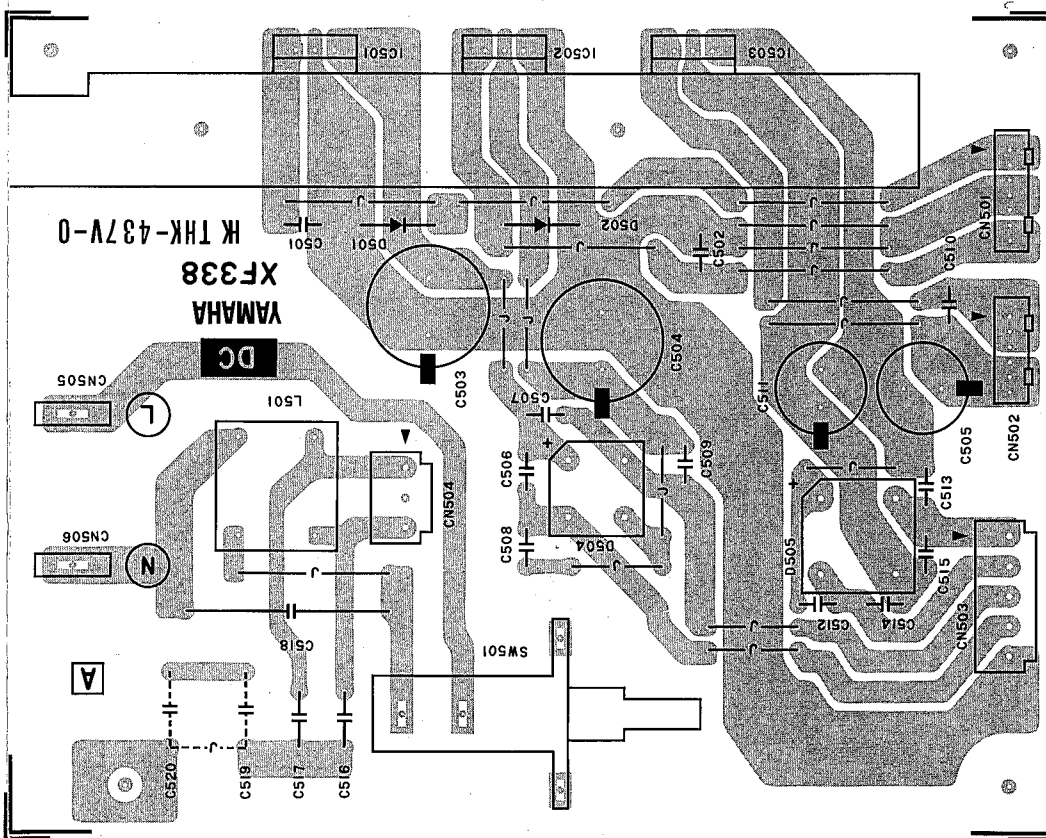
A10K (VA757600) INPUT

SPX900

Notes)

- \* Circuit Board FP 1/4 (VG582800) XF337A0
- 1. Diode  
D401~415: 1SS176 (VA240700)
- 2. LED  
LED401~407: GL1HD212 RED (VG149600)
- 3. Push Switch  
SW401~415: EVQ-QSL04M (VB799000)

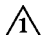

• DC Circuit Board



Components side (部品側)

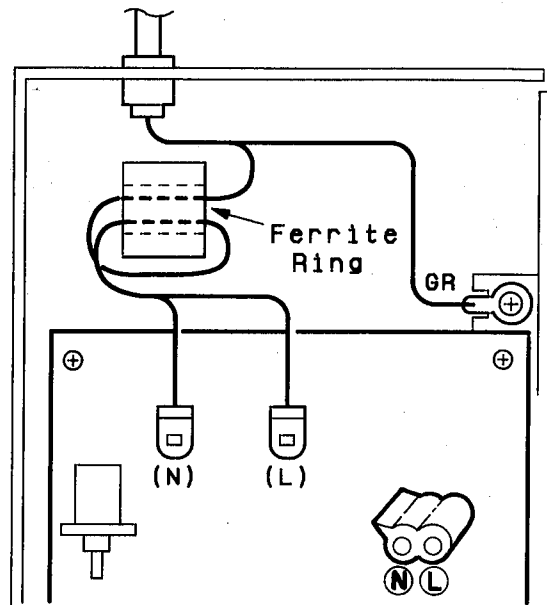
Notes)

- \* Circuit Board DC (VG582900) XF338A0 J, U, C
- \* Circuit Board DC (VG583000) XF338A0 H
- 1. IC  
IC501: NJM7815FA (XD853A00) REGULATOR 15V  
IC502: NJM7915FA (XD854A00) REGULATOR -15V  
IC503: NJM7805FA (XC719001) REGULATOR 5V
- 2. Diode  
D501, 502: 11ES4 (VB482000)
- 3. Diode Stack  
D504: S2VB20 200V (IH001120)  
D505: S4VB20 200V (IH001090)
- 4. Ceramic Cap.  
C516, 517: 2200P 400V (FI383220)  
C518: 0.1 (FR203100)  
C519, 520: 4700P 400V (FI383470) H
- 5. Semiconductive Cera. Cap.  
C501, 502, 510: 0.1 16V Z (FZ004110)
- 6. Coil  
L501: PLA3021A (GD900760)
- 7. Push Switch  
SW501: ESB-8213A (KA803610) POWER

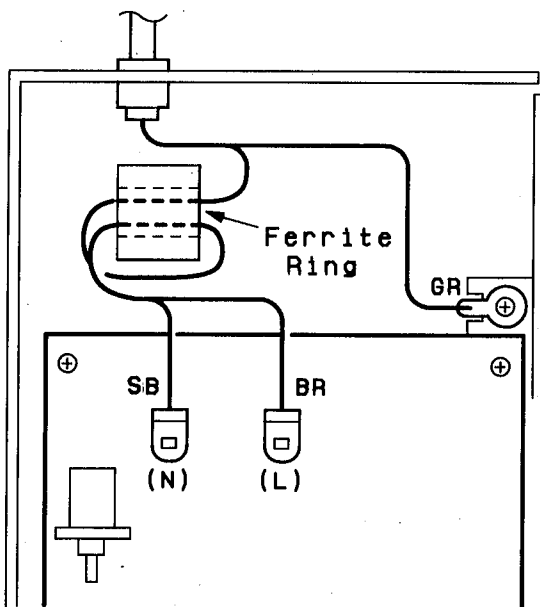
FP: 3NA-VG58280   
DC: 3NA-VG58290 

■ **CIRCUIT BOARD LAYOUT & WIRING** (ユニットレイアウト & 結線図)

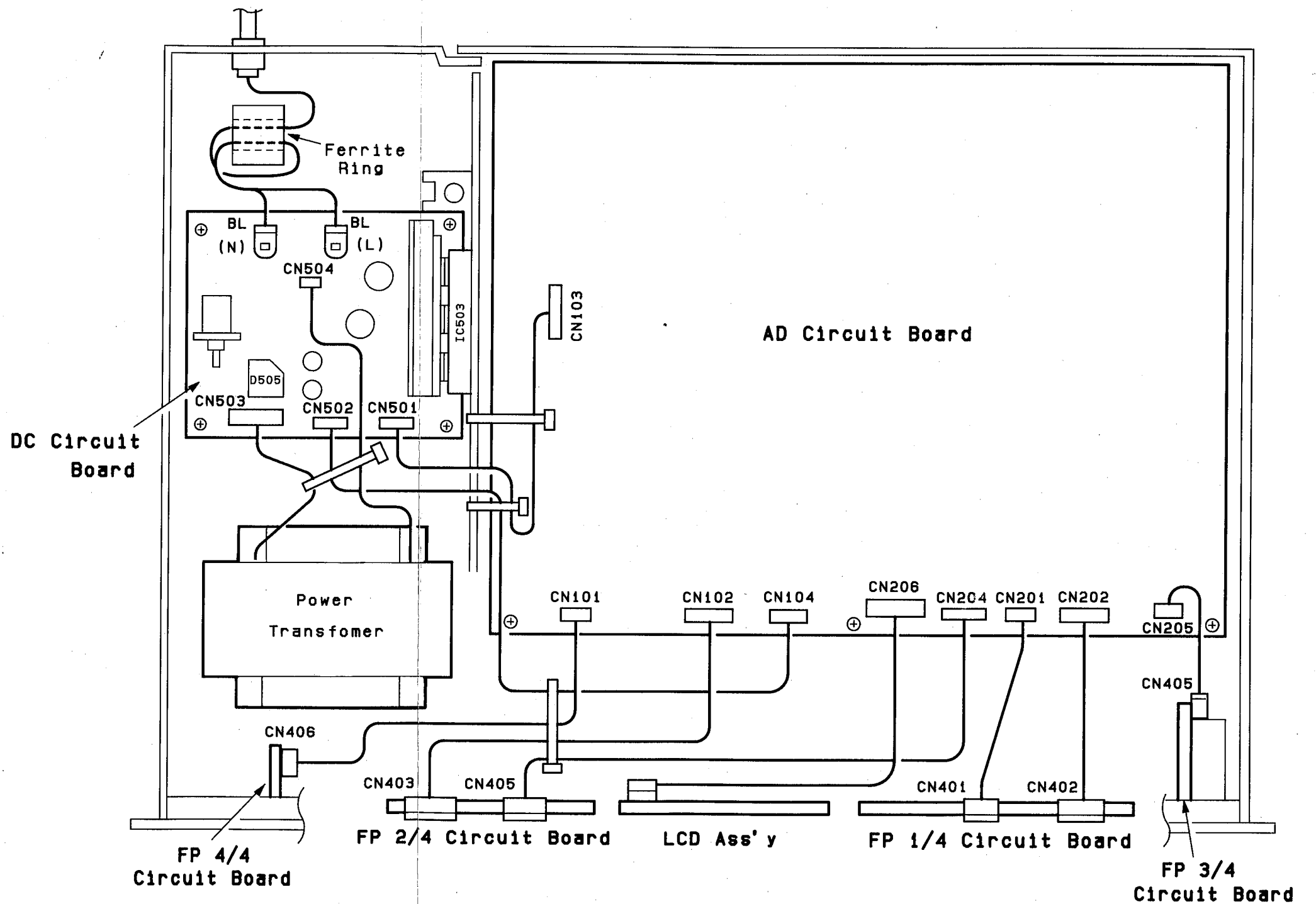
● **U.S. and Canadian Model**



● **North European Model**



● **Japanese Model**



SPX900

# DIGITAL MULTI-EFFECT PROCESSER

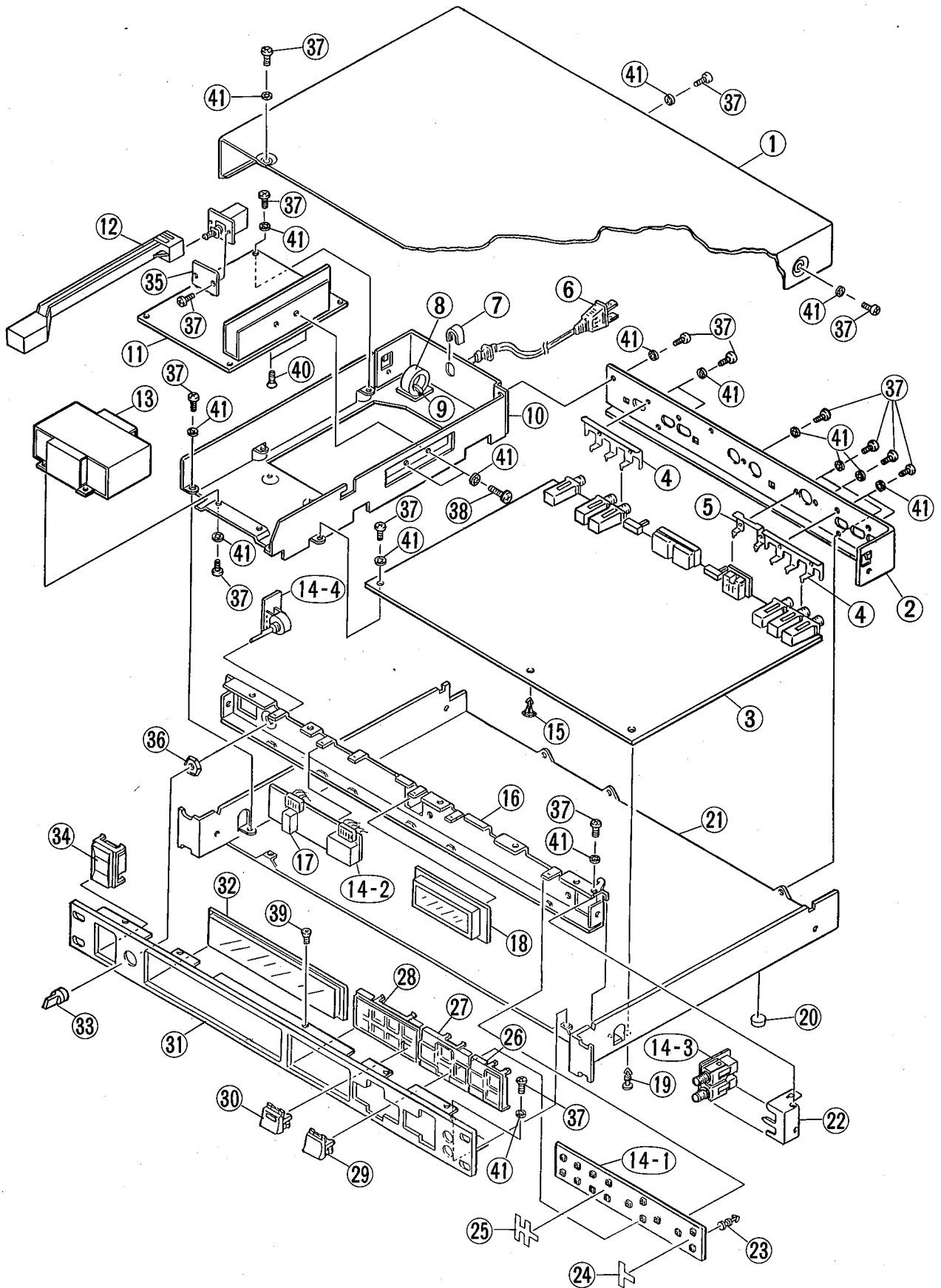
# SPX900

# PARTS LIST

Note) DESTINATION ABBREVIATIONS

J : Japanese model	A : Australian model
U : U.S. model	E : European model
C : Canadian model	D : West German model
X : General model	B : British model
M : South African model	I : Indonesian model
H : North European model	

OVERALL ASSEMBLY (総組立)



SPX900

Ref. No.	Part No.	Description	部品名	Remarks	ランク
1	VF890700	Top Cover	トップカバー		09
2	VG597200	Rear Panel	リアパネル		
3	VG582700	Circuit Board	A D シート		
4	VF891900	Angle Bracket, JACK	J A C K アングル		02
5	VD258900	Holder, DIN Socket	DINソケットホルダー		02
6	VD279200	AC Cord	電源コード	J	04
6	VD654200	AC Cord	10A 2.44m 電源コード	U.C	05
6	VD279800	AC Cord	6A 2.5m 電源コード	E	08
7	VD705000	Cord Strain Relief	コードストッパー	U.C	02
7	CB032840	Cord Strain Relief	SR-5KN-4 SR-5N-4 コードストッパー	H	01
8	GE300770	Ferrite Ring	FR25/15/12-2000 フェライトリング		06
9	CB069250	Cord Clamper	BK-1 束線止め		01
10	VG597300	AC Panel	電源パネル	J	
10	VG597900	AC Panel	電源パネル	U.C	
10	VG598000	AC Panel	電源パネル	H	
11	VG582900	Circuit Board	D C シート	J, U.C	
11	VG583000	Circuit Board	D C シート	H	
12	VF888700	Rod	D C シュロッド		02
13	XF384A00	Power Transformer	電源トランス	J	03
13	XF385A00	Power Transformer	電源トランス	U.C	
13	XF386A00	Power Transformer	電源トランス	H	
14	VG582800	Circuit Board	F P シート		
14-1		Circuit Board	F P 1/4		
14-2		Circuit Board	F P 2/4		
14-3		Circuit Board	F P 3/4		
14-4		Circuit Board	F P 4/4		
15	VF474400	Spacer	KGPS-8RT F P 4 / 4 シート		01
16	VG789800	Sub Panel	サブパネル		
17	VD119700	LED Spacer	L E D スペース		02
18	VG681400	LCD Assembly	162A L C D A s s ' y	with LED	
18-1	VG681300	LCD	LM162E03 液晶ディスプレイ		15
19	VF474300	Spacer	KGLS-8RT ロッキングカートスパー		01
20	CB037120	Foot	ストーム座		01
21	VF890800	Bottom Cover	ボトムカバー		08
22	VG618300	Angle Bracket, JK	J K 金具		
23	VG631000	Spacer	KGPS-4S カードスペース		
24	VG893400	Partition	S パーティション (小)		01
25	VG893300	Partition	L パーティション (大)		01
26	VF890000	Escutcheon	<3> エスカッション		
27	VF890100	Escutcheon	<4> エスカッション		
28	VF890200	Escutcheon	<8> エスカッション		01
29	VF895400	Push Button	↑ プッシュボタン		01
29	VF895300	Push Button	↓ プッシュボタン		01
29	VF895600	Push Button	SCROLL BACK プッシュボタン		01
29	VF895800	Push Button	STORE プッシュボタン		01
29	VF895900	Push Button	RECALL プッシュボタン		01
29	VF896100	Push Button	TRIGGER プッシュボタン		01
30	VF888800	Push Button	EQ プッシュボタン	with lens	02
30	VF895500	Push Button	PARAM プッシュボタン	with lens	02
30	VF896000	Push Button	INT PARAM プッシュボタン	with lens	02
30	VF895700	Push Button	LEVEL プッシュボタン	with lens	02
30	VG091400	Push Button	EXT CTRL ASSIGN プッシュボタン	with lens	02
30	VF896200	Push Button	UTILITY プッシュボタン	with lens	02
30	VF896300	Push Button	RYPASS プッシュボタン	with lens	02
31	VG597400	Panel	パネル		
32	VG597500	Cover, Meter	メーターカバー		07
33	VF888400	Knob	メーターマミ		02
34	VF888600	Escutcheon, PW	P W エスカッション		01
35	VA803700	Switch Panel	スイッチパネル		02
36	ES200180	Hexagonal Nut	φ7.0 ZMC2BL 特殊六角ナット		01
37	ED330086	Bind Head Screw	3.0X8 FCM3BL バインド小ネジ		01
38	ED330106	Bind Head Screw	3.0X10 FCM3BL バインド小ネジ		01
39	EB330066	Flat Head Screw	3.0X6 FCM3BL 皿小ネジ		01
40	EB330086	Flat Head Screw	3.0X8 FCM3BL 皿小ネジ		01
41	EV413036	Toothed Lock Washer	A3.0 FCM3BL 歯付座金内歯型		01

\* New Parts (新規部品)

SPX900



**ELECTRICAL PARTS (電気部品)**

Ref. No.	Part No.	Description	部品名	Remarks	ランク
	VG582700	Circuit Board	AD	A D シート	
	VG582800	Circuit Board	FP	F P シート	
	VG582900	Circuit Board	DC	D C シート	J,U,C
	VG583000	Circuit Board	DC	D C シート	H
	VG582700	Circuit Board	AD	A D シート	
	IG001390	IC	NJM45588DV	I C	OP AMP. 03
	XA013001	IC	M5238P	I C	OP AMP. 04
	XA772001	IC	NJM4556DE	I C	OP AMP. 03
	IG065510	IC	NJM78L05A	I C	REGULATOR 5V 03
	IG130500	IC	NJM79L05	I C	REGULATOR -5V 03
	XE393A00	IC	NJM79L12A	I C	REGULATOR -12V 02
	IG116200	IC	PST518B-2	I C	RESET 04
	IG136600	IC	IR2E19	I C	LED DRIVER 05
	IG055100	IC	TC4053BP	I C	MULTIPLEXER 05
	IG142200	IC	TC74HC04	I C	INVERTER 03
	IR000000	IC	TC74HC00P	I C	NAND 03
	IR000800	IC	TC74HC08P	I C	AND 03
	IR001400	IC	TC74HC14P	I C	INVERTER 05
	IR007400	IC	TC74HC74P	I C	DFE 04
	IR013900	IC	TC74HC139P	I C	DECODER 05
	IR016300	IC	TC74HC163P	I C	COUNTER 05
	IR017400	IC	TC74HC174P	I C	DFE 05
	IR037300	IC	TC74HC373P	I C	D-LATCH 05
	IG093500	IC	HD6303RP	I C	CPU 16
	IG147300	IC	HD63B50P	I C	ACIA 09
	XB258001	IC	HD63B21P	I C	PIA 08
	XF863A00	IC	μ PD43256AC12L	I C	SRAM 256K
	XF030A00	IC	EPL16P8BP 30A	I C	PAL 07
	XF529A00	IC	TBP28L22N	I C	PROM 07
	XF985A00	IC	EPL16P8BP 985A	I C	PAL 07
	XF530B00	IC	1MBIT	I C	EPROM
	XA457A00	IC	MB81464-12	I C	DRAM 08
	IG106100	IC	M58990P-1	I C	ADC 09
	IT380700	IC	YM3807	I C	MOD 15
	XB637001	IC	PCM56P	I C	DAC 09
	XE394A00	IC	PCN78AP	I C	ADC 16
	XE788A00	IC	YM6104	I C	DEQ2 11
	XF164A00	IC	YM6007	I C	DSP2 18
	IA101520	Transistor	2SA1015 Y	トランジスタ	03
	IC181520	Transistor	2SC1815 Y	トランジスタ	03
	IG138700	Transistor Array	TD62506P	トランジスタアレイ	03
	VG387100	Digital Transistor	DTD143EF	デジタルトランジスタ	01
	VB481900	Diode	11ES4	ダイオード	01
	IF003450	Diode	1SS133	ダイオード	01
	IF002140	Zener Diode	RD5.6ER2 5.6V	ツェナーダイオード	01
	IK000470	Photo Coupler	TLP552	フォトカップラ	06
	FZ004110	Semiconductive Cera. Cap.	0.1 16V M	半導体セラコン	01
	VB835000	Coil	FL5R200QNT 20μ	コイル	01
	HL315150	Metal Oxide Film Resistor	150 1W J	酸化金属被膜抵抗	01
	HZ004730	Resistor Array	RMLS8-103J	抵抗アレイ	02
	H1209990	Carbon Compo. Resistor	10M	ソリッド抵抗	01
	VD753100	Trimmer Potentiometer	B5K 3P	半固定ボリューム	DA Gain adj. 01
	VE463700	Trimmer Potentiometer	B200K 3P	半固定ボリューム	MSB adj. 01
	VF066200	Trimmer Potentiometer	B50K 3P	半固定ボリューム	AD, Offset, Meter 01
	VD980800	LC Filter	PFB-4	9次LCフィルタ	07
	QU004800	Ceramic Resonator	4.0M CSA4.0MG	セラミック共振子	03
	VD119200	Ceramic Resonator	11.2896M	セラミック共振子	02
	KA401270	Slide Switch	SSS212	スライドスイッチ	SW103(N/T) 03
	VG502300	Slide Switch	SSSU12	スライドスイッチ	-20dB/+4dB, MIDI 02
	KC001900	Relay	DC RY12W	リレー	12V 07
	LB202600	Phone Jack	HLJ0520 Mono	ホンジャック	IN, OUT, FOOT SW 02
	VF342200	DIN Jack	5P SK0266 2	DINジャック	MIDI IN, OUT 03
	VH050600	DIN Jack	6P TCS5360-01	DINジャック	REMOTE 03
	VB436900	Lithium Battery	CR2032-P5-2	リチウム電池	05
	VG582800	Circuit Board	FP	F P シート	
	VA240700	Diode	1SS176	ダイオード	01
	VG149600	LED	GL1HD212 RED	L E D	01
	VD118900	LED Display	LN526RK 7 SEG.	L E D ディスプレイ	MEMORY 05
	VG583400	LED Display	SX-25X	L E D ディスプレイ	LEVEL indicator 05
	FZ005920	EMI Filter	LS NT Y223NB	L C フィルター E M I	02
	VA757600	Variable Resistor	A10K	ロータリィボリューム	INPUT 03
	VB799000	Push Switch	EVQ-QSL04M	プッシュスイッチ	01
	LB202300	Phone Jack	HLJ0520 Stereo	ホンジャック	EXT CNT/FOOT V0 02
	VG582900	Circuit Board	DC	D C シート	J,U,C
	VG583000	Circuit Board	DC	D C シート	H
	XC719001	IC	NJM7805FA	I C	REGULATOR 5V 03

\* New Parts (新規部品)

ランク: Japan only

