

# PORTABLE PA SYSTEM

# STAGEPAS 150M

## SERVICE MANUAL



Speaker



Mixer

### ■ CONTENTS (目次)

SPECIFICATIONS (総合仕様) .....	3
PANEL LAYOUT (パネルレイアウト) .....	4
DIMENSIONS (寸法図) .....	4
CIRCUIT BOARD LAYOUT (ユニットレイアウト) .....	5
DISASSEMBLY PROCEDURES (分解手順) .....	6
IC BLOCK DIAGRAM (ICブロック図) .....	15
CIRCUIT BOARDS (シート基板図) .....	16
INSPECTIONS (検査) .....	27
ADJUSTMENT OF AMPLIFIER (アンプユニットの調整) .....	29
PARTS LIST	
BLOCK & LEVEL DIAGRAM (ブロック&レベルダイアグラム)	
CIRCUIT DIAGRAM (回路図)	

## IMPORTANT NOTICE

This manual has been provided for the use of authorized Yamaha Retailers and their service personnel. It has been assumed that basic service procedures inherent to the industry, and more specifically Yamaha Products, are already known and understood by the users, and have therefore not been restated.

**WARNING:** Failure to follow appropriate service and safety procedures when servicing this product may result in personal injury, destruction of expensive components and failure of the product to perform as specified. For these reasons, we advise all Yamaha product owners that all service required should be performed by an authorized Yamaha Retailer or the appointed service representative.

**IMPORTANT:** This presentation or sale of this manual to any individual or firm does not constitute authorization, certification, recognition of any applicable technical capabilities, or establish a principal-agent relationship of any form.

The data provided is believed to be accurate and applicable to the unit(s) indicated on the cover. The research engineering, and service departments of Yamaha are continually striving to improve Yamaha products. Modifications are, therefore, inevitable and changes in specification are subject to change without notice or obligation to retrofit. Should any discrepancy appear to exist, please contact the distributor's Service Division.

**WARNING:** Static discharges can destroy expensive components. Discharge any static electricity your body may have accumulated by grounding yourself to the ground bus in the unit (heavy gauge black wires connect to this bus).

**IMPORTANT:** Turn the unit OFF during disassembly and parts replacement. Recheck all work before you apply power to the unit.

**WARNING:** This product contains chemicals known to the State of California to cause cancer, or birth defects or other reproductive harm.

DO NOT PLACE SOLDER, ELECTRICAL/ELECTRONIC OR PLASTIC COMPONENTS IN YOUR MOUTH FOR ANY REASON WHAT SO EVER!

Avoid prolonged, unprotected contact between solder and your skin! When soldering, do not inhale solder fumes or expose eyes to solder/flux vapor!

If you come in contact with solder or components located inside the enclosure of this product, wash your hands before handling food.

## IMPORTANT NOTICE FOR THE UNITED KINGDOM


### Connecting the Plug and Cord

**WARNING:** THIS APPARATUS MUST BE EARTHED

**IMPORTANT:** The wires in this mains lead are coloured in accordance with the following code:

GREEN-AND-YELLOW:	EARTH
BLUE:	NEUTRAL
BROWN:	LIVE


As the colours of the wires in the mains lead of this apparatus may not correspond with the coloured markings identifying the terminals in your plug, proceed as follows:

The wire which is coloured GREEN and YELLOW must be connected to the terminal in the plug which is marked by the letter E or by the safety earth symbol  or colored GREEN or colored GREEN and YELLOW.

The wire which is coloured BLUE must be connected to the terminal which is marked with the letter N or coloured BLACK.

The wire which is coloured BROWN must be connected to the terminal which is marked with the letter L or coloured RED.

## ■ WARNING

Components having special characteristics are marked  and must be replaced with parts having specification equal to those originally installed.

 印の部品は、安全を維持するために重要な部品です。交換する場合は、安全のために必ず指定の部品をご使用ください。

## ■ SPECIFICATIONS

### ● General Specifications

#### Maximum Output Power

150 W ( $\pm 10\%$ )/4  $\Omega$  @ 10 % THD at 1 kHz (SPEAKER)  
 $\geq 100$  W/4  $\Omega$  @ 1 % THD at 1 kHz (SPEAKER)

#### Maximum Output Level

112 dB (1 m)

#### Frequency Response (Nominal output level @ 1 kHz)

-3 dB, 0 dB, +1 dB @ 20 Hz–20 kHz

(MUSIC/SPEECH=MUSIC) (ST SUB OUT)

-3 dB, 0 dB, +1 dB @ 80 Hz–20 kHz

(MUSIC/SPEECH=SPEECH) (ST LINK OUT)

-3 dB, 0 dB, +1 dB @ 20 Hz–20 kHz, 1 W Output

(MUSIC/SPEECH=MUSIC, without Speaker EQ)  
 (SPEAKER)

#### Total Harmonic Distortion

$\leq 0.5\%$  @ 20 Hz, 1 kHz, 20 kHz +14 dBu GAIN=nominal  
 (ST SUB OUT, ST LINK OUT)

#### Hum & Noise

##### (Equivalent Input Noise, $R_s=150\ \Omega$ , MIC/LINE=MIC)

$\leq -112$  dBu (CH1/2)

$\leq -65$  dBu Residual output noise (SPEAKER)

#### Crosstalk (1 kHz)

$\leq -70$  dB between input channels

#### Power Consumption

20 W

#### Weight

9.6 kg (Speaker + Powered Mixer)

#### Stereo Input Channel Equalization

$\pm 15$  dB

HIGH : 10 kHz shelving

LOW : 100 Hz shelving

### ● Speaker (300S)

#### Enclosure

2 way bass-reflex type, Polypropylene, Black

#### Crossover Frequency

4.0 kHz (LF: 12 dB/oct, HF: 12 dB/oct)

#### Frequency Range

55 Hz–20 kHz (-10 dB)

#### Speaker Unit

LF : 8" (20 cm) Cone

HF : 1" (2.54 cm) Compression Driver

## ■ 総合仕様

### ● 一般仕様

#### 最大出力

150 W ( $\pm 10\%$ )/4  $\Omega$  @ 10 % THD at 1 kHz (SPEAKER)  
 $\geq 100$  W/4  $\Omega$  @ 1 % THD at 1 kHz (SPEAKER)

#### 最大出力音圧レベル

112 dB(軸上 1 m)

#### 周波数特性(ノミナル出力レベル @ 1 kHz)

-3 dB, 0 dB, +1 dB @ 20 Hz–20 kHz

(MUSIC/SPEECH=MUSIC) (ST SUB OUT)

-3 dB, 0 dB, +1 dB @ 80 Hz–20 kHz

(MUSIC/SPEECH=SPEECH) (ST LINK OUT)

-3 dB, 0 dB, +1 dB @ 20 Hz–20 kHz, 1 W 出力

(MUSIC/SPEECH=MUSIC、スピーカーEQを除く)  
 (SPEAKER)

#### 全高調波歪率

$\leq 0.5\%$  @ 20 Hz, 1 kHz, 20 kHz +14 dBu GAIN=すべてノ  
 ミナル(ST SUB OUT, ST LINKOUT)

#### ハム&ノイズ

(入力換算ノイズ、 $R_s=150\ \Omega$ 、MIC/LINEスイッチ=MIC)

$\leq -112$  dBu (CH1/2)

$\leq -65$  dBu 残留ノイズ (SPEAKER)

#### クロストーク(1 kHz)

$\leq -70$  dB 入出力間

#### 消費電力

20 W

#### 質量

9.6 kg(スピーカー+ミキサー)

#### 入力チャンネルイコライザー特性

最大可変幅( $\pm 15$  dB)

HIGH : 10 kHz シェルビングタイプ

LOW : 100 Hz シェルビングタイプ

### ● スピーカー(300S)

#### エンクロージャー

2-way パスレフ型、ポリプロピレン、黒

#### クロスオーバー周波数

4.0 kHz (LF : 12 dB/oct, HF : 12 dB/oct)

#### 再生周波数帯域

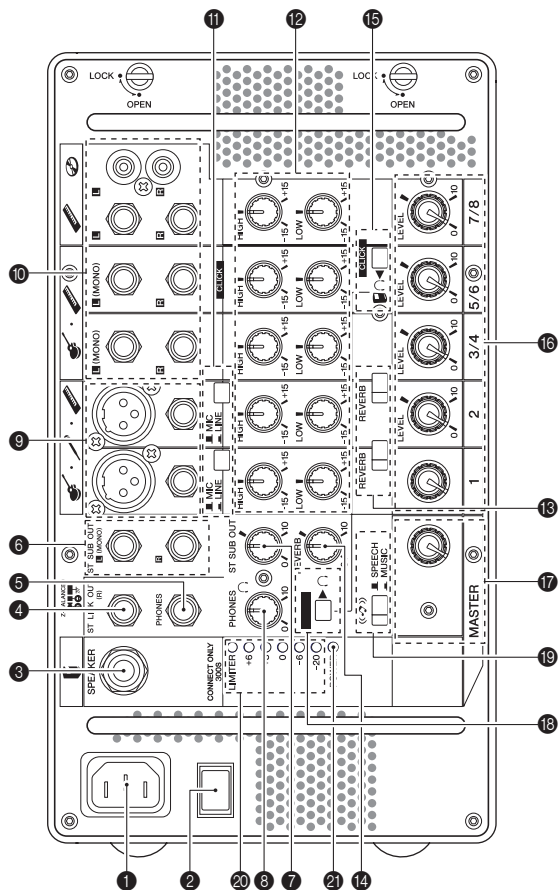
55 Hz–20 kHz (-10 dB)

#### スピーカーユニット

LF : 8" (20 cm) コーン

HF : 1" (2.54 cm) コンプレッションドライバー

## ■ PANEL LAYOUT (パネルレイアウト)

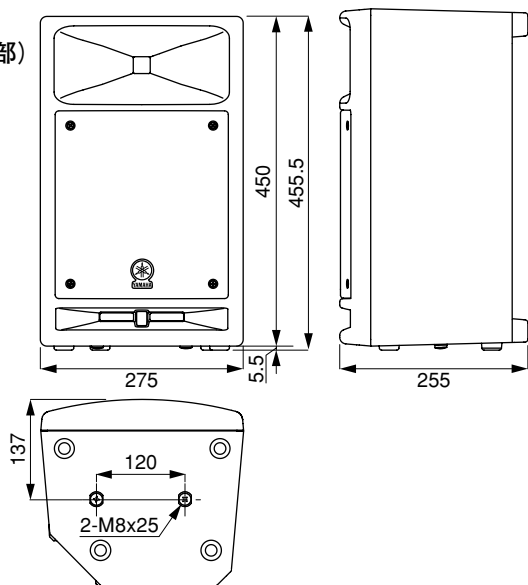


- ① AC IN jack
- ② POWER switch
- ③ SPEAKER jack (for included speaker 300S only)
- ④ ST LINK OUT R jack
- ⑤ PHONES jack
- ⑥ ST SUB OUT L (MONO) / R jacks
- ⑦ ST SUB OUT control
- ⑧ PHONES control
- ⑨ Channel input jacks (CH 1, 2)
- ⑩ Stereo channel input jacks (CH 3/4, 5/6, 7/8)
- ⑪ MIC/LINE switch
- ⑫ Equalizer
- ⑬ REVERB switch
- ⑭ REVERB control
- ⑮ CLICK switch (for headphones/speaker)
- ⑯ LEVEL control
- ⑰ MASTER LEVEL Control
- ⑱ CLICK switch (for headphones)
- ⑲ SPEECH/MUSIC switch
- ⑳ LEVEL meter
- ㉑ POWER indicator

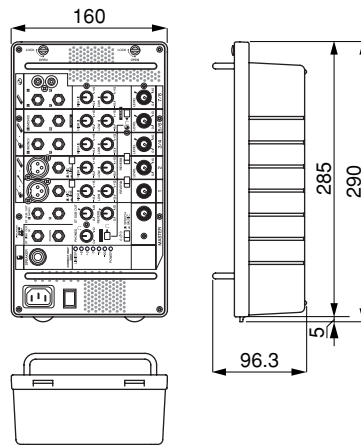
- ① AC IN端子
- ② POWERスイッチ
- ③ SPEAKER端子(付属のスピーカー(300S)専用)
- ④ ST LINK OUT R端子
- ⑤ PHONES端子
- ⑥ ST SUB OUT L(MONO)/R端子
- ⑦ ST SUB OUTコントロール
- ⑧ PHONESコントロール
- ⑨ チャンネル入力端子(CH 1、2)
- ⑩ ステレオチャンネル入力端子(CH3/4、5/6、7/8)
- ⑪ MIC/LINEスイッチ
- ⑫ EQ(イコライザー)
- ⑬ REVERBスイッチ
- ⑭ REVERBコントロール
- ⑮ CLICKスイッチ(ヘッドフォン/スピーカー用)
- ⑯ LEVELコントロール
- ⑰ MASTER LEVELコントロール
- ⑱ CLICKスイッチ(ヘッドフォン用)
- ⑲ SPEECH/MUSICスイッチ
- ⑳ LEVELメーター
- ㉑ POWERインジケーター

## ■ DIMENSIONS (寸法図)

Speaker  
(スピーカー部)



Mixer  
(ミキサー部)



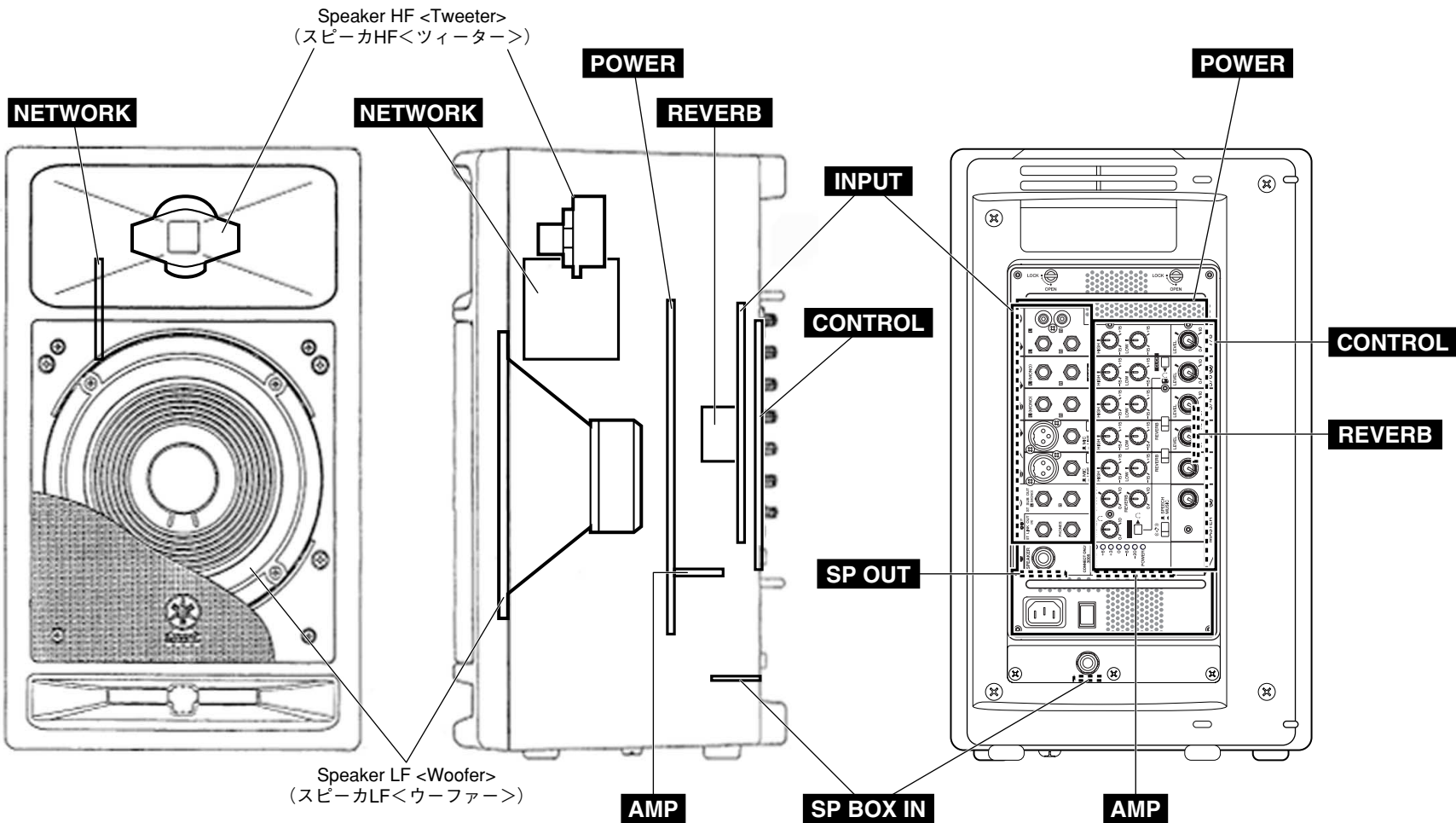
Unit: mm  
単位: mm

■ CIRCUIT BOARD LAYOUT (ユニットレイアウト)

● Front view

● Right side view

● Rear view



## ■ DISASSEMBLY PROCEDURES (分解手順)

### 1. Front Grille Assembly

(Time required: About 1 minute)

1-1 Remove the four (4) screws marked [120]. The front grille assembly can then be removed. (Fig. 1)

### 2. Speaker LF (Woofer)

(Time required: About 2 minutes)

2-1 Remove the front grille assembly. (See procedure 1)

2-2 Remove the four (4) screws marked [100]. The speaker LF (woofer) can then be removed. (Fig. 1)

2-3 Remove the wire LF (red/black) attached to the speaker LF (woofer). (Photo. 1)

### 3. Front Cabinet Unit, Rear Cabinet Unit

(Time required: About 3 minutes)

3-1 Remove the front grille assembly. (See procedure 1)

3-2 Remove the five (5) screws marked [80A] and four (4) screws marked [80B]. The front cabinet unit and rear cabinet unit can then be separated. (Fig. 1, 2)

3-3 Remove the wire LF (red/black) attached to the speaker LF (woofer). (Photo. 1)

3-4 Remove the wire HF (yellow/blue) attached to the speaker HF (tweeter). (Photo. 2)

\* Take care not to open the front cabinet unit and rear cabinet unit too wide or the speaker LF (woofer) terminal and speaker HF (tweeter) terminal may be damaged.

### 1. フロントグリルAss'y(所要時間：約1分)

1-1 [120]のネジ4本を外して、フロントグリルAss'yを外します。(図1)

### 2. スピーカLF(ウーファー)(所要時間：約2分)

2-1 フロントグリルAss'yを外します。(1項参照)

2-2 [100]のネジ4本を外して、スピーカLF(ウーファー)を外します。(図1)

2-3 スピーカLF(ウーファー)に取り付けられている束線LF(赤/黒)を外します。(写真1)

### 3. フロントキャビネット部、リアキャビネット部(所要時間：約3分)

3-1 フロントグリルAss'yを外します。(1項参照)

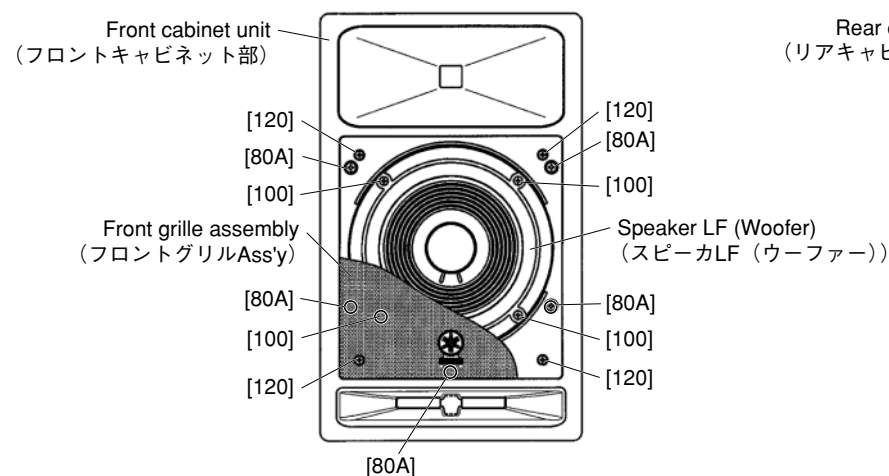
3-2 [80A]のネジ5本と[80B]のネジ4本を外して、フロントキャビネット部、リアキャビネット部を別けます。(図1、2)

3-3 スピーカLF(ウーファー)に取り付けられている束線LF(赤/黒)を外します。(写真1)

3-4 スピーカHF(ツイーター)に取り付けられている束線HF(黄/青)を外します。(写真2)

※ フロントキャビネット部とリアキャビネット部を開きすぎて、スピーカLF(ウーファー)端子、スピーカHF(ツイーター)端子を傷めないように注意してください。

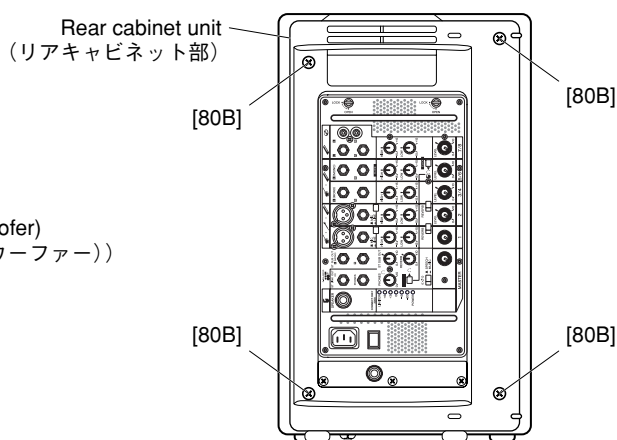
<Front view>



- [80A]: BIND HEAD TAPPING SCREW-A 5.0x35 NI-BL (AAX61640)  
A タイト+ BIND
- [100]: BIND HEAD TAPPING SCREW-B 4.0x18 NI-BL (AAX61660)  
B タイト+ BIND
- [120]: BIND HEAD TAPPING SCREW-B 4.0x10 NI-BL (AAX61680)  
B タイト+ BIND

Fig. 1 (図1)

<Rear view>



- [80B]: BIND HEAD TAPPING SCREW-A 5.0x35 NI-BL (AAX61640)  
A タイト+ BIND

Fig. 2 (図2)



Photo 1 (写真1)

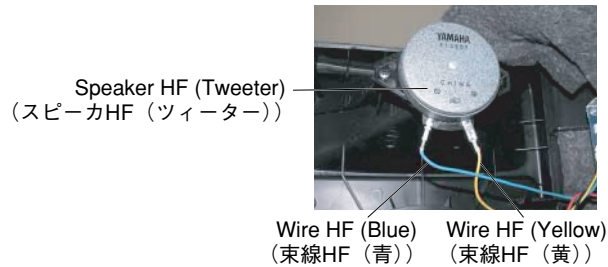


Photo 2 (写真2)

**4. Speaker HF (Tweeter)**

**(Time required: About 4 minutes)**

- 4-1 Remove the front grille assembly. (See procedure 1)
- 4-2 Separate the front cabinet unit and rear cabinet unit. (See procedure 3)
- 4-3 Remove the two (2) screws marked [70]. The speaker HF (tweeter) can then be removed from the front cabinet unit. (Fig. 3)

**5. Network Assembly, NETWORK Circuit Board**  
**(Time required: About 7 minutes)**

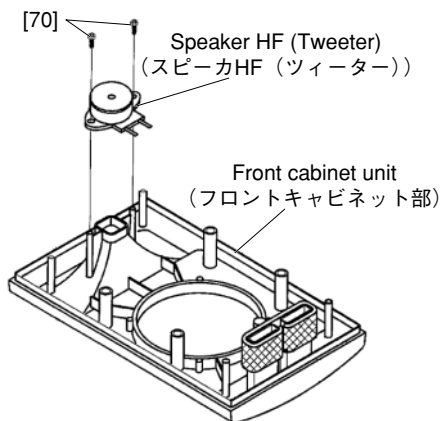
- 5-1 Remove the front grille assembly. (See procedure 1)
- 5-2 Separate the front cabinet unit and rear cabinet unit. (See procedure 3)
- 5-3 Remove the four (4) screws marked [13]. The network assembly can then be removed from the rear cabinet unit. (Fig. 4)
- 5-4 Remove the four (4) screws marked [N40]. The NETWORK circuit board and the network holders C and D can then be separated. (Fig. 4)

**4. スピーカHF(ツイーター) (所要時間：約4分)**

- 4-1 フロントグリルAss'yを外します。(1項参照)
- 4-2 フロントキャビネット部、リアキャビネット部を別けます。(3項参照)
- 4-3 [70]のネジ2本を外して、フロントキャビネット部からスピーカHF(ツイーター)を外します。(図3)

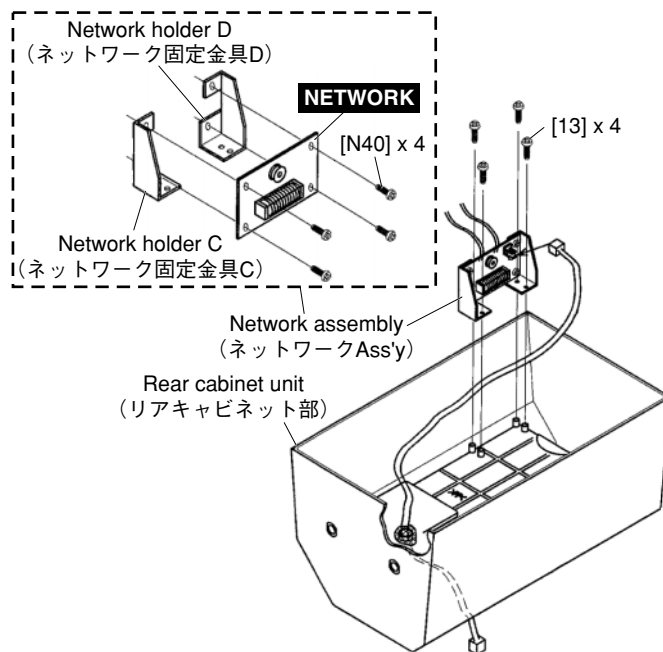
**5. ネットワークAss'y、NETWORKシート**  
**(所要時間：約7分)**

- 5-1 フロントグリルAss'yを外します。(1項参照)
- 5-2 フロントキャビネット部、リアキャビネット部を別けます。(3項参照)
- 5-3 [13]のネジ4本を外して、リアキャビネット部からネットワークAss'yを外します。(図4)
- 5-4 [N40]のネジ4本を外して、NETWORKシートとネットワーク固定金具C、Dを別けます。(図4)



[70]: BIND HEAD TAPPING SCREW-B 4.0x20 NI-BL (AAX61630)  
B タイト+ BIND

Fig. 3 (図3)



[13]: BIND HEAD TAPPING SCREW-B 3.0x10 NI-BL (AAX61710)  
B タイト+ BIND

[N40]: PAN HEAD TAPPING SCREW-B 3.0x8 CR3 (AAX61700) B タイト+ PAN

Fig. 4 (図4)

**6. Mixer Assembly  
(Time required: About 1 minute)**

- 6-1 Rotate the two (2) straight slots on the fastener heads with a coin driver or minus driver until each straight slot is in alignment with the OPEN position.  
The mixer assembly can then be removed. (Fig. 5)

**6. ミキサーAss'y(所要時間：約1分)**

- 6-1 コインドライバーまたはマイナスドライバーで、ファスナーヘッドのマイナス形溝2箇所をOPENの位置まで回して、ミキサーAss'yを外します。(図5)

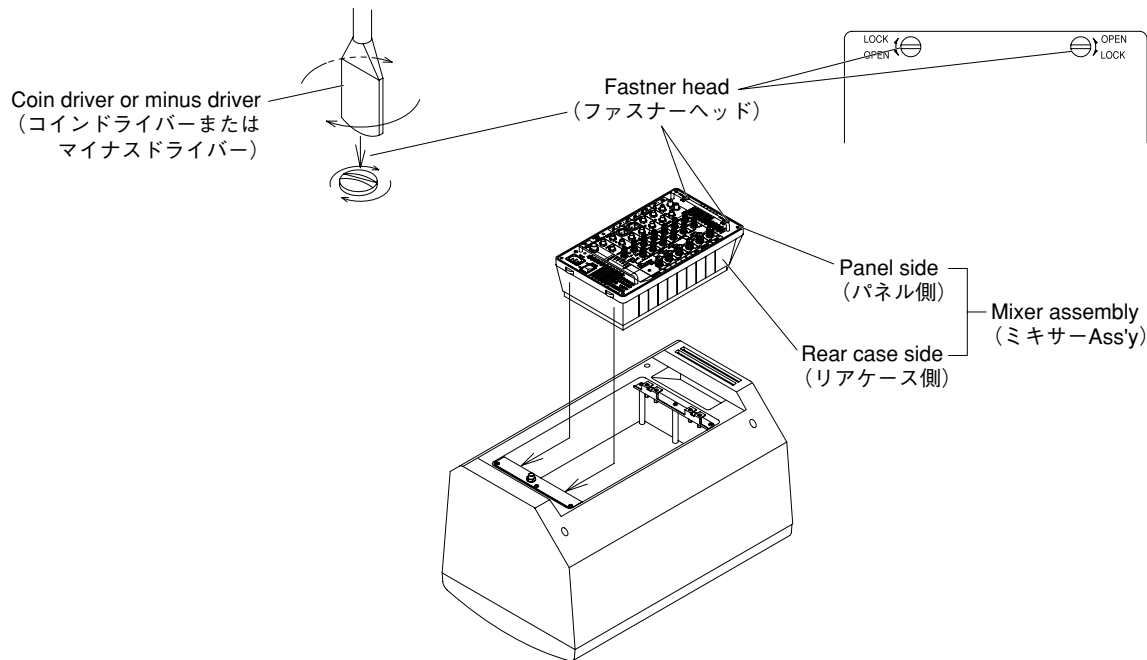


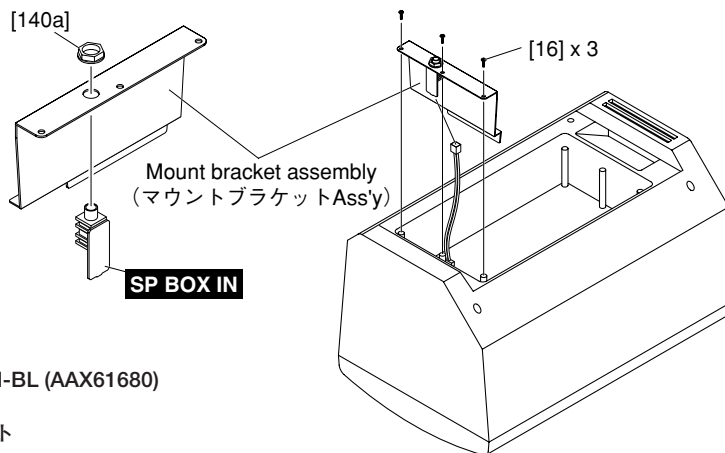
Fig. 5 (図5)

**7. SP BOX IN Circuit Board  
(Time required: About 2 minutes)**

- 7-1 Remove the mixer assembly. (See procedure 6)  
7-2 Remove the three (3) screws marked [16]. The mount bracket assembly can then be removed together with the SP BOX IN circuit board. (Fig. 6)  
7-3 Remove the hexagonal nut marked [140a]. The SP BOX IN circuit board can then be removed from the mount bracket assembly. (Fig. 6)

**7. SP BOX INシート(所要時間：約2分)**

- 7-1 ミキサーAss'yを外します。(6項参照)  
7-2 [16]のネジ3本を外して、SP BOX INシートと共にマウントブラケットAss'yを外します。(図6)  
7-3 [140a]の六角ナット1個を外して、マウントブラケットAss'yからSP BOX INシートを外します。(図6)



[16]: BIND HEAD TAPPING SCREW-B 4.0x10 NI-BL (AAX61680)  
B タイト+ BIND

[140a]: HEXAGONAL NUT M15.0 BL (--) 六角ナット

Fig.6 (図6)



## 8. Mixer Assembly (Panel Assembly, Rear Case Assembly) (Time required: About 3 minutes)

- 8-1 Remove the mixer assembly. (See procedure 6)  
 8-2 Remove the eight (8) screws marked [340], and separate the panel assembly and rear case assembly from the mixer assembly. (Fig. 7) (See the cautions below:)

### <Cautions on removing panel assembly and connection>

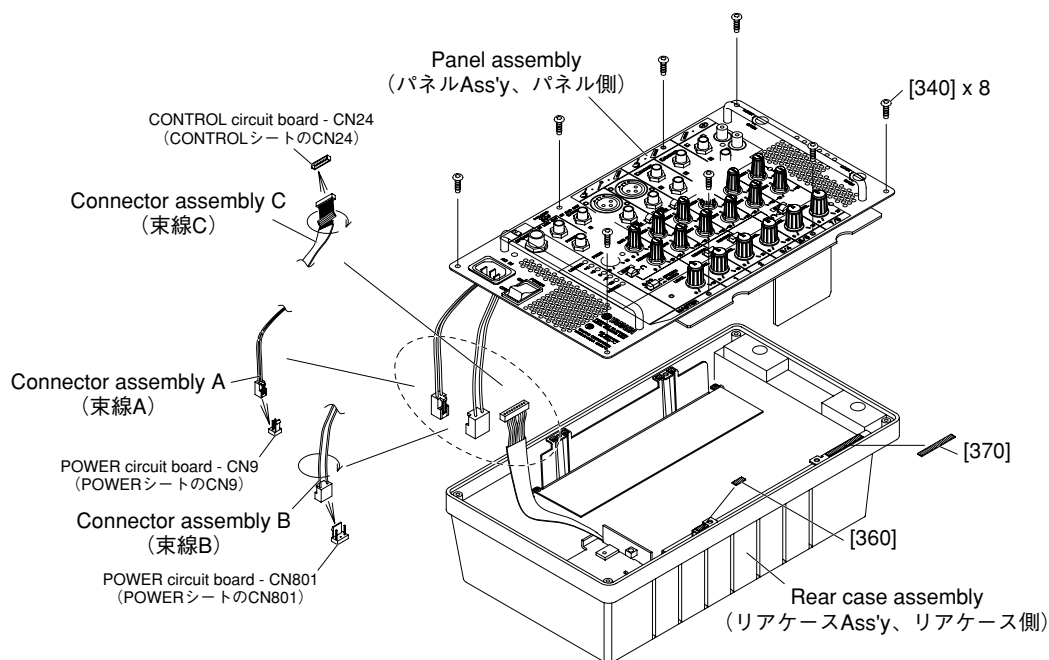
- \* When removing the panel assembly, take care not to damage the three connector assemblies (connector assembly A, B, C). (Fig. 7)
- \* When assembling the panel assembly, connect the three connector assemblies (connector assembly A, B, C) in alphabetical order (A -> B -> C). (Fig. 7)

## 8. ミキサーAss'y(パネル側、リアケース側) (所要時間：約3分)

- 8-1 ミキサーAss'yを外します。(6項参照)  
 8-2 [340]のネジ8本を外して、ミキサーAss'yからパネル側とリアケース側を別けます。(図7)(下記注意事項参照)

### <パネル側の取り外し/接続時の注意>

- ※ パネル側を外す時に、3本の束線(束線A、B、C)に注意してください。(図7)
- ※ パネル側を取り付ける際は、3本の束線(束線A、B、C)をA→B→Cの順に接続します。(図7)



[340]: HEXAGONAL TAPPING SCREW-B 3x8 NI-BL (WP927800)  
 B タイト六角ネジ

Fig. 7 (図7)

**[Disassembly of Panel Assembly (Mixer Assembly)]**

\* Before removing the following parts (in procedure 9 to procedure 13), remove the mixer assembly (see procedure 6), rear case assembly (see procedure 8).

**9. INPUT Circuit Board  
(Time required: About 6 minutes)**

9-1 Remove the twelve (12) hexagonal nuts marked [190a], twelve (12) flat washers marked [190b] and five (5) screws marked [200] from the panel printing side. (Fig. 8)

9-2 Remove the INPUT circuit board from the connectors CN21 and CN26 of the CONTROL circuit board. (Fig. 8)

\* The two (2) push buttons marked [170A] and two (2) push spacers marked [180] are not parts of the INPUT circuit board. When replacing the INPUT circuit board, be sure to remove these parts and attach them to the new INPUT circuit board. (Fig. 9)

《パネル側 (ミキサー Ass'y) の分解》

※ 以下の各部品 (9項~13項) を取り外す前に、ミキサー Ass'y (6項参照)、リアケース側 (8項参照) を外しておきます。

**9. INPUT シート (所要時間: 約6分)**

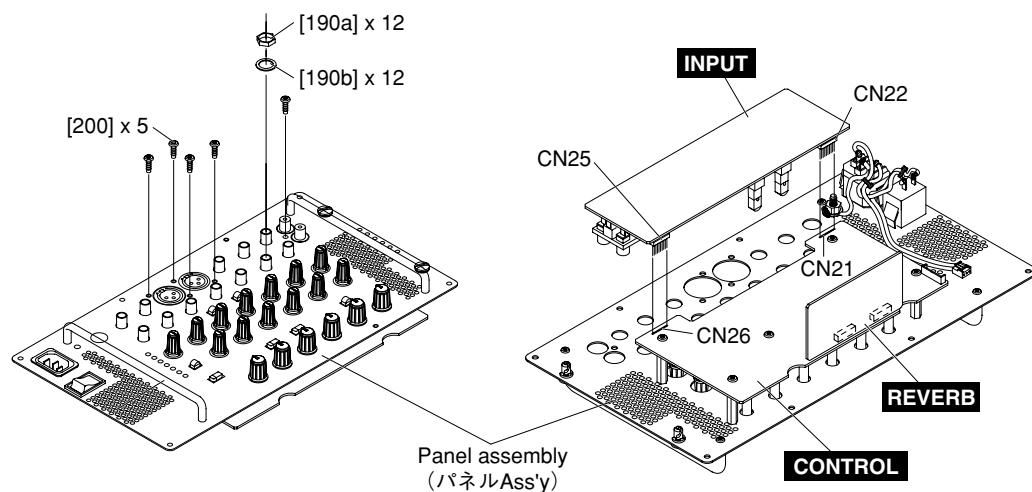
9-1 パネル印刷面から [190a] の六角ナット 12個、[190b] のワッシャー 12個、[200] のネジ 5本を外します。(図8)

9-2 CONTROLシートのCN21、CN26のコネクターからINPUTシートを外します。(図8)

※ [170A] のプッシュボタン 2個と [180] のプッシュスペーサ 2個は、INPUTシートの構成部品ではありません。INPUTシートを交換する際には必ずこれらを取り外し、新しいINPUTシートに取り付けてください。(図9)

<Top view>

<Bottom view>



- [190a]: HEXAGONAL NUT M11.0 (-) 六角ナット
- [190b]: FLAT WASHER M9.2 (-) ワッシャー
- [200]: BIND HEAD TAPPING SCREW-B 3.0x10 NI-BL (AAX61710)  
Bタイト+BIND

Fig. 8 (図8)

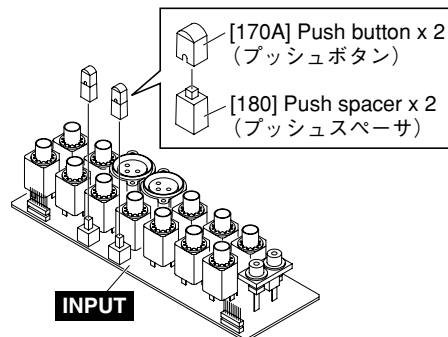


Fig. 9 (図9)

**10. REVERB Circuit Board**  
**(Time required: About 4 minutes)**

10-1 Remove the REVERB circuit board from the connectors CN27 and CN31 of the CONTROL circuit board. (Fig. 10)

**10. REVERBシート (所要時間：約4分)**

10-1 CONTROLシートのCN27とCN31のコネクターから、REVERBシートを外します。(図10)

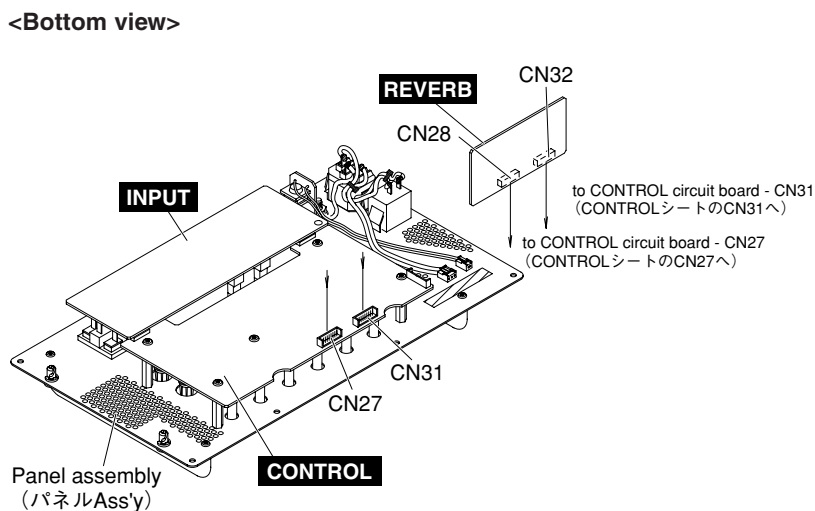


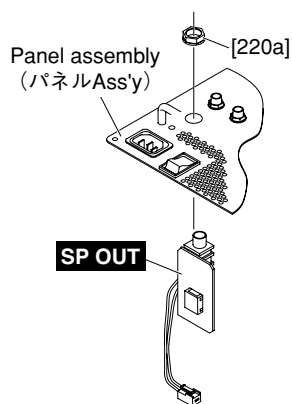
Fig. 10 (図 10)

**11. SP OUT Circuit Board**  
**(Time required: About 4 minutes)**

11-1 Remove the hexagonal nut marked [220a] from the panel printing side. The SP OUT circuit board can then be removed. (Fig. 11)

**11. SP OUTシート (所要時間：約4分)**

11-1 パネル印刷面から[220a]の六角ナット1個を外し、SP OUTシートを外します。(図11)



[220a]: HEXAGONAL NUT M15.0 BL (-) 六角ナット

Fig. 11 (図 11)

**12. CONTROL Circuit Board  
(Time required: About 10 minutes)**

- 12-1 Remove the INPUT circuit board. (See procedure 9)
- 12-2 Remove the REVERB circuit board. (See procedure 10)
- 12-3 Remove the five (5) volume knobs (white) marked [130] and the volume knob (red) marked [140] from the panel printing side. (Fig. 12)
- 12-4 Remove the five (5) screws marked [160]. The CONTROL circuit board can then be removed. (Fig. 12)

\* The following parts are not parts of the CONTROL circuit board. When replacing the CONTROL circuit board, be sure to remove these parts and attach them to the new CONTROL circuit board. (Fig. 13)

- [90]: Push buttons 3 pcs.
- [100]: Volume knob (S) (white) 1 pc.
- [110]: Volume knobs (S) (green) 10 pcs.
- [120]: Volume knob (S) (blue) 2 pcs.
- [170B]: Push buttons 2 pcs.

**12. CONTROLシート (所要時間：約10分)**

- 12-1 INPUTシートを外します。(9項参照)
- 12-2 REVERBシートを外します。(10項参照)
- 12-3 パネル印刷面から[130]のノブVR(白)5個、[140]のノブVR(赤)1個を外します。(図12)
- 12-4 [160]のネジ5本を外して、CONTROLシートを外します。(図12)

※ 以下の各部品は、CONTROLシートの構成部品ではありません。CONTROLシートを交換する際には必ずこれを取り外し、新しいCONTROLシートに取り付けてください。(図13)

- [90]: プッシュボタン 3個
- [100]: ノブVR (S) (白) 1個
- [110]: ノブVR (S) (緑) 10個
- [120]: ノブVR (S) (青) 2個
- [170B]: プッシュボタン 2個

<Top view>

<Bottom view>

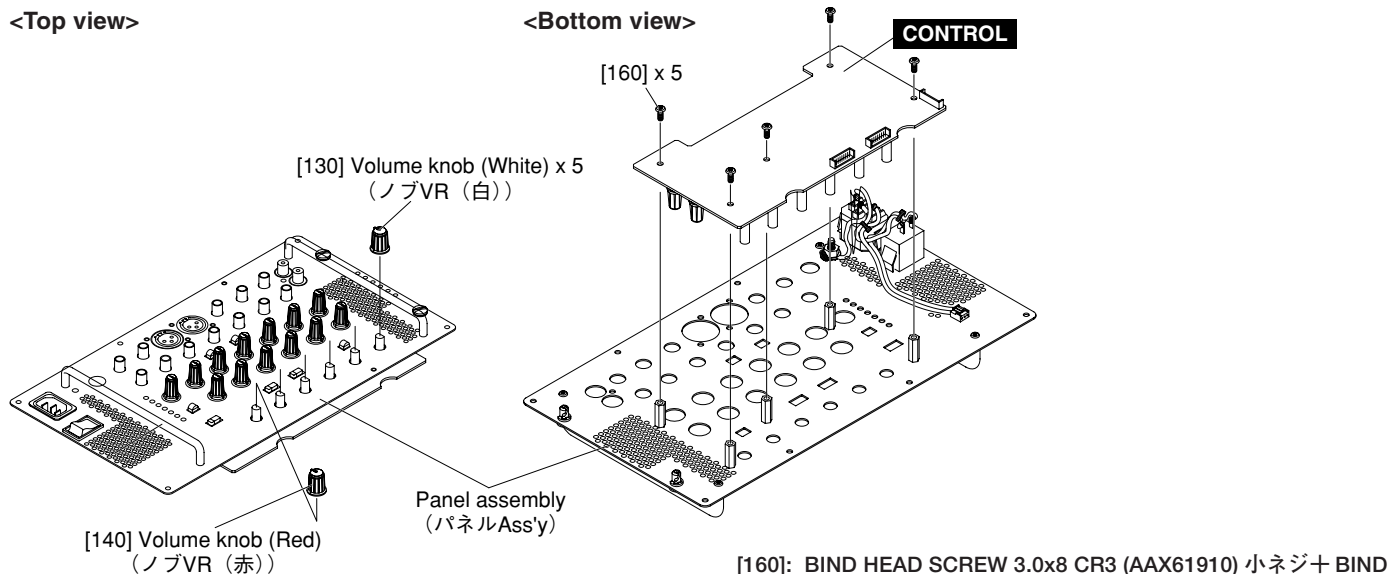


Fig. 12 (図 12)

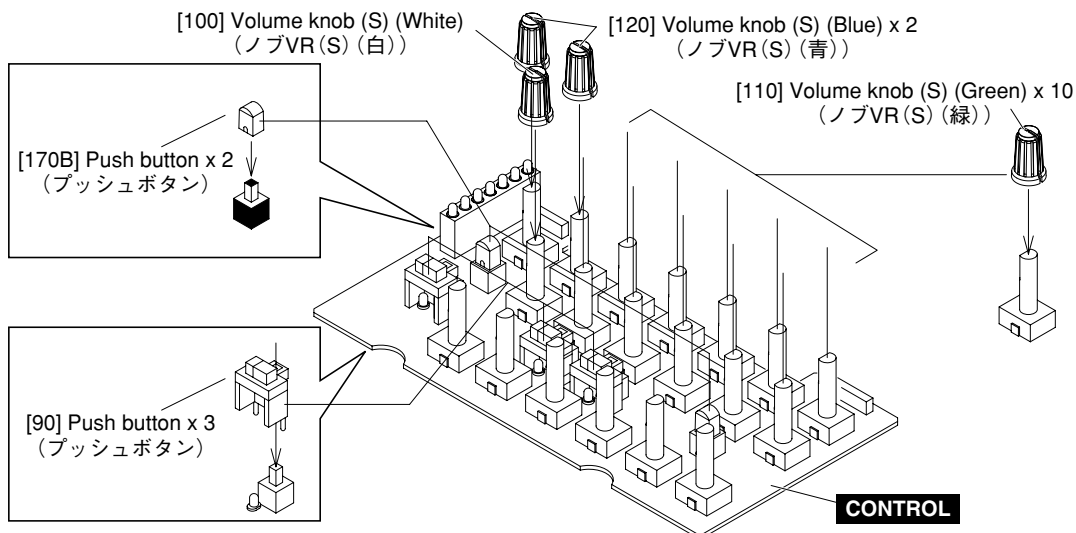


Fig. 13 (図 13)

**13. Power Switch, AC Inlet  
(Time required: About 5 minutes)**

- 13-1 Remove the two (2) connector assemblies (connector assembly (1P) and connector assembly (2P)) and earth wire soldered to the power switch and AC inlet. (Fig. 14)
- 13-2 Remove the power switch by pressing its claws. (Fig. 15)
- 13-3 Remove the AC inlet by pressing its claws. (Fig. 16)

**13. 電源スイッチ、ACインレット(所要時間：約5分)**

- 13-1 電源スイッチとACインレットに半田付けされている束線2本(束線1P、束線2P)とアース線を外します。(図14)
- 13-2 電源スイッチのツメを押して外します。(図15)
- 13-3 ACインレットのツメを押して外します。(図16)

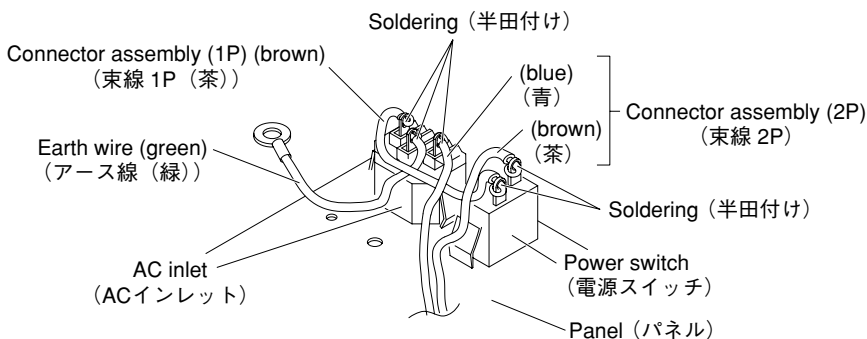


Fig.14 (図 14)

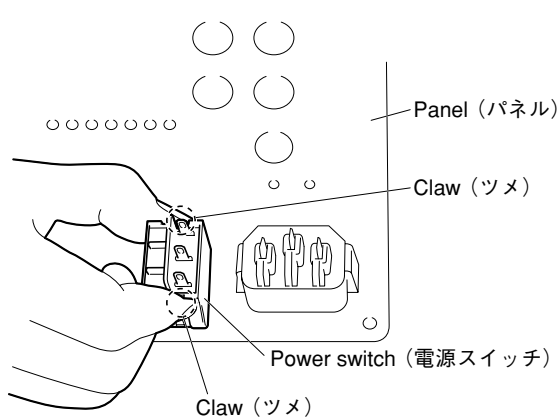


Fig. 15 (図 15)

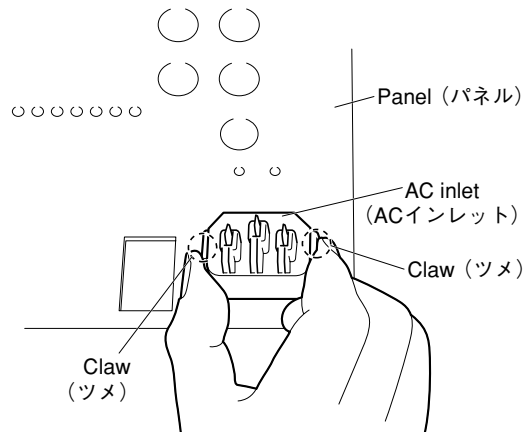


Fig. 16 (図 16)

**[Disassembly of Rear Case Assembly (Mixer Assembly)]**

\* Before removing the following parts (in procedure 14), remove the mixer assembly (see procedure 6), panel assembly (see procedure 8).

**14. Power Amplifier Unit, POWER Circuit Board  
(Time required: About 6 minutes)**

14-1 Remove the three (3) screws marked [270]. The power amplifier unit can then be removed. (Fig. 17)

14-2 Remove the two (2) screws marked [320]. The insulator C marked [300] can then be removed. (Fig. 18)

14-3 Remove the seven (7) screws marked [260]. The POWER circuit board can then be removed. (Fig. 17)

\* The cushion A marked [330] is not a part of the POWER circuit board. When replacing the POWER circuit board, be sure to attach the cushion A to the new POWER circuit board. (Fig. 17)

《リアケース側 (ミキサーAss'y) の分解》

※ 以下の各部品(14項)を取り外す前に、ミキサーAss'y(6項参照)、パネル側(8項参照)を外しておきます。

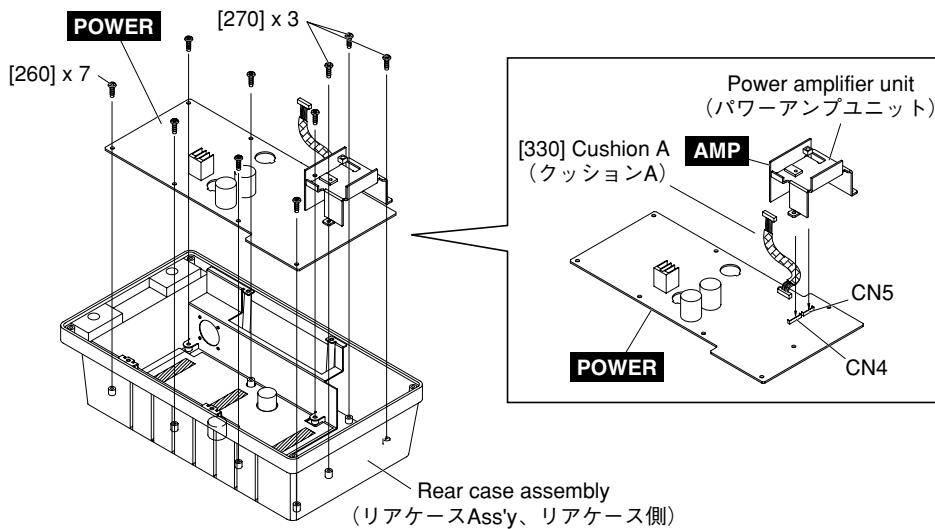
**14. パワーアンプユニット、POWERシート  
(所要時間：約6分)**

14-1 [270]のネジ3本を外して、パワーアンプユニットを外します。(図17)

14-2 [320]のネジ2本を外して、[300]の絶縁板Cを外します。(図18)

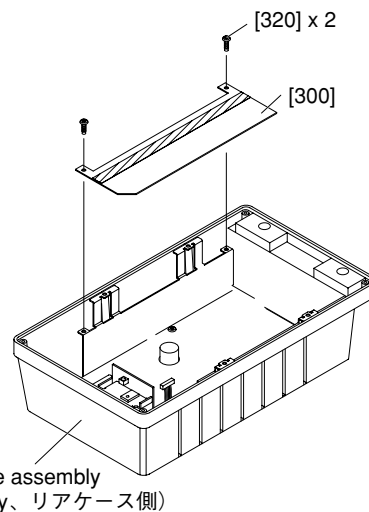
14-3 [260]のネジ7本を外して、POWERシートを外します。(図17)

※ [330]のクッションAは、POWERシートの構成部品ではありません。POWERシートを交換する際には、必ずクッションAを新しいPOWERシートに取り付けてください。(図17)



- [260]: BIND HEAD TAPPING SCREW-B 3.0x8 CR3 (AAX61980) B  
タイト+ BIND
- [270]: BIND HEAD TAPPING SCREW-B 3.0x10 NI-BL (AAX61710)  
B タイト+ BIND

Fig.17 (図 17)



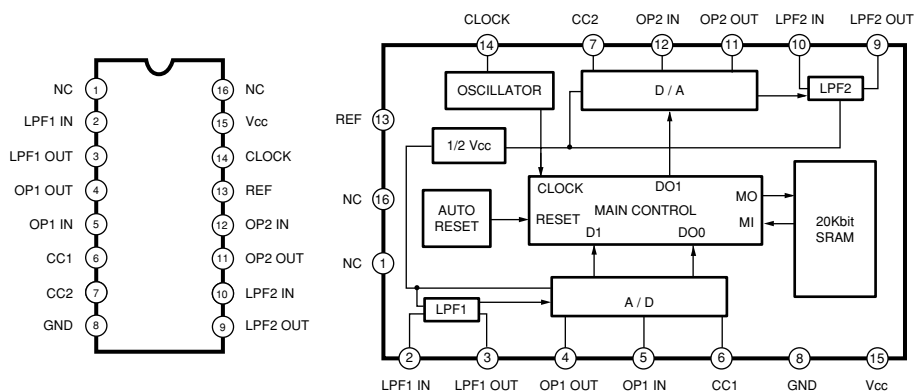
- [320]: BIND HEAD TAPPING SCREW-B 3.0x8 CR3 (AAX61980) B  
タイト+ BIND

Fig.18 (図 18)

## IC BLOCK DIAGRAM (ICブロック図)

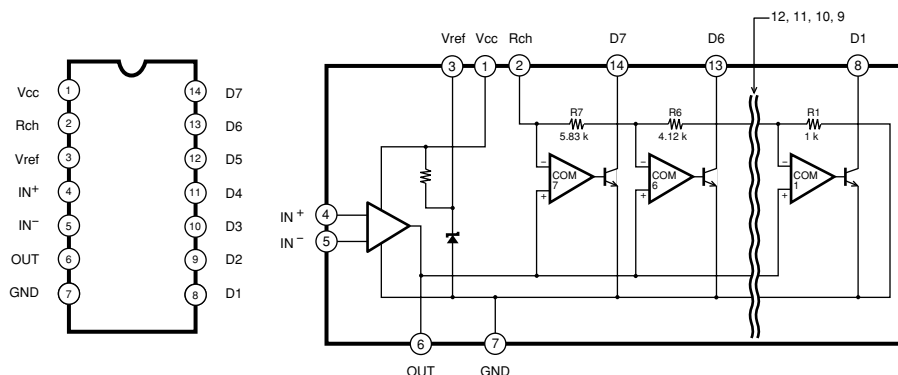
- M65850FP (AAX62760)**

Digital Echo  
REVERB: IC602



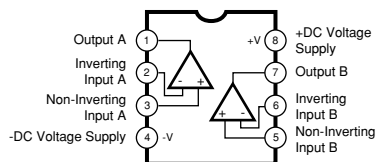
- LB1407-E LF (AAX68710)**

AC/DC Voltage Level Meter  
CONTROL: IC604



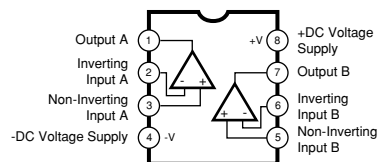
- NJM2068M-D TE1 (AAX62750)**

Dual Operational Amplifier  
INPUT: IC101, 301, 501, 701  
CONTROL: IC102, 103, 104, 105, 106, 107, 108, 110, 112,  
202, 302, 402, 502, 503, 702, 703  
REVERB: IC109, 603



- NJM4556AM TE1 (X9836A00)**

Dual Operational Amplifier  
CONTROL: IC111



## ■ CIRCUIT BOARDS (シート基板図)

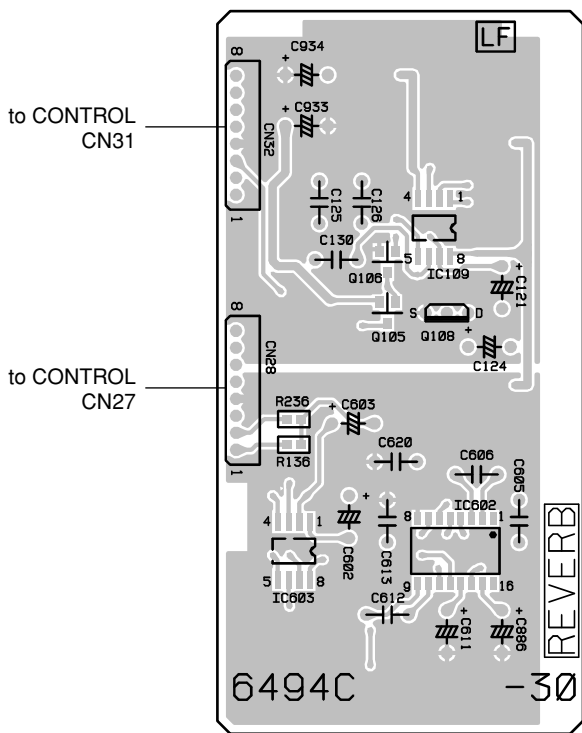
### CONTENTS (目次)

• AMP Circuit Board	(6479-10)	17
• CONTROL Circuit Board	(6494-30)	18
• INPUT Circuit Board	(6494-30)	20
• NETWORK Circuit Board	(5257-10)	21
• POWER Circuit Board	(8151-40)	22
• REVERB Circuit Board	(6494-30)	16
• SP BOX IN Circuit Board	(8151-40)	26
• SP-OUT Circuit Board	(8151-40)	26

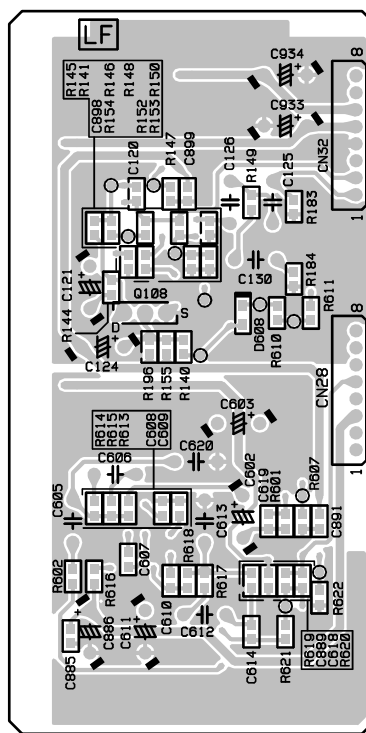
**Note: See parts list for details of circuit board component parts.**

注: シートの部品詳細はパーツリストをご参照ください。

### • REVERB Circuit Board



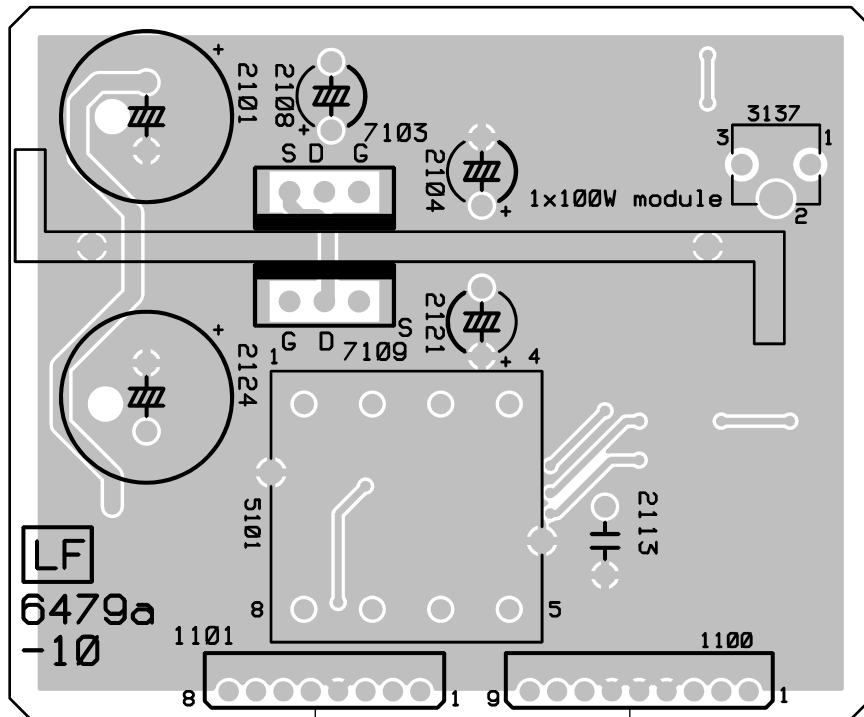
Component side (部品側)



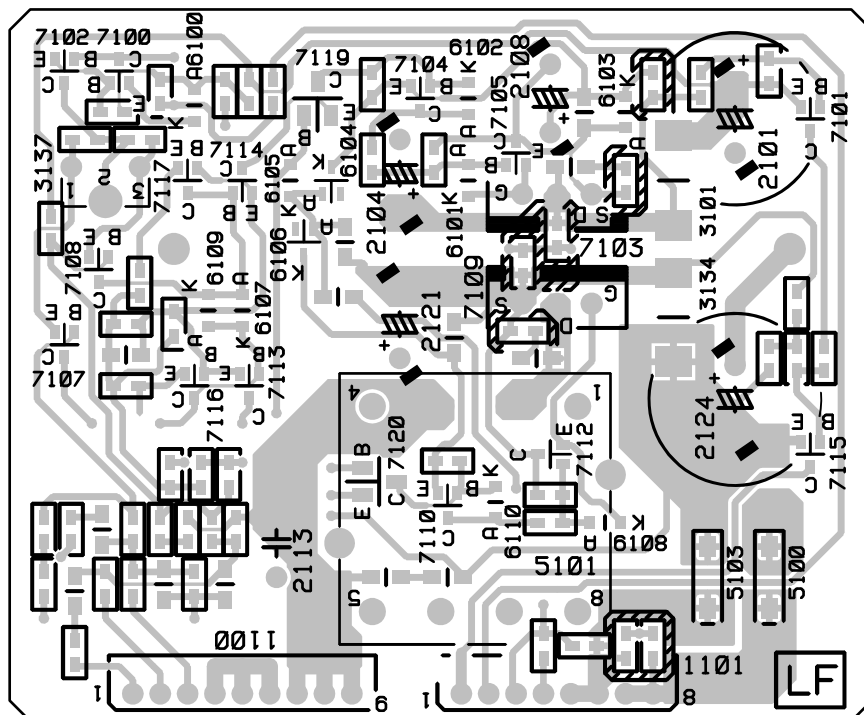
Pattern side (パターン側)



• AMP Circuit Board

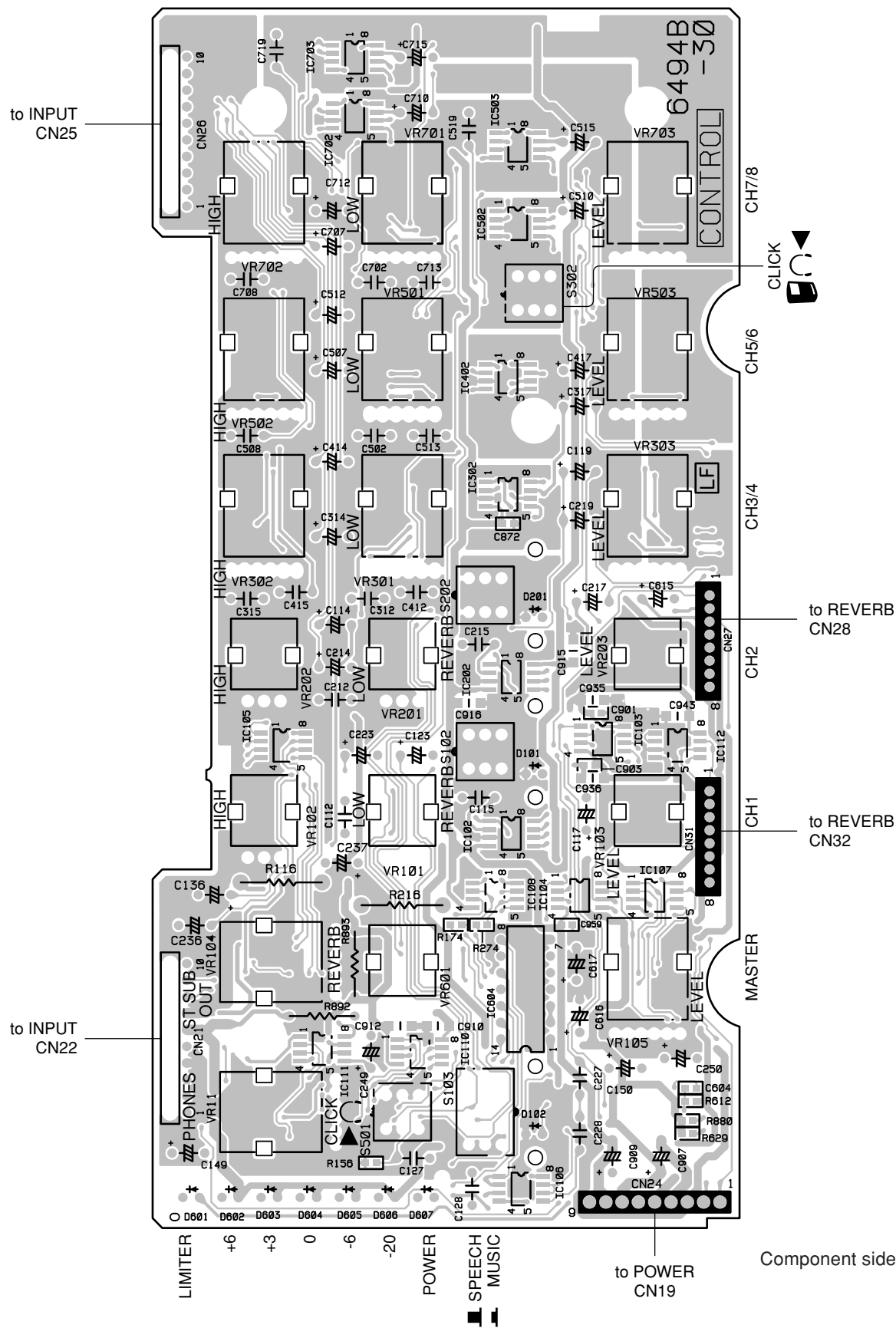


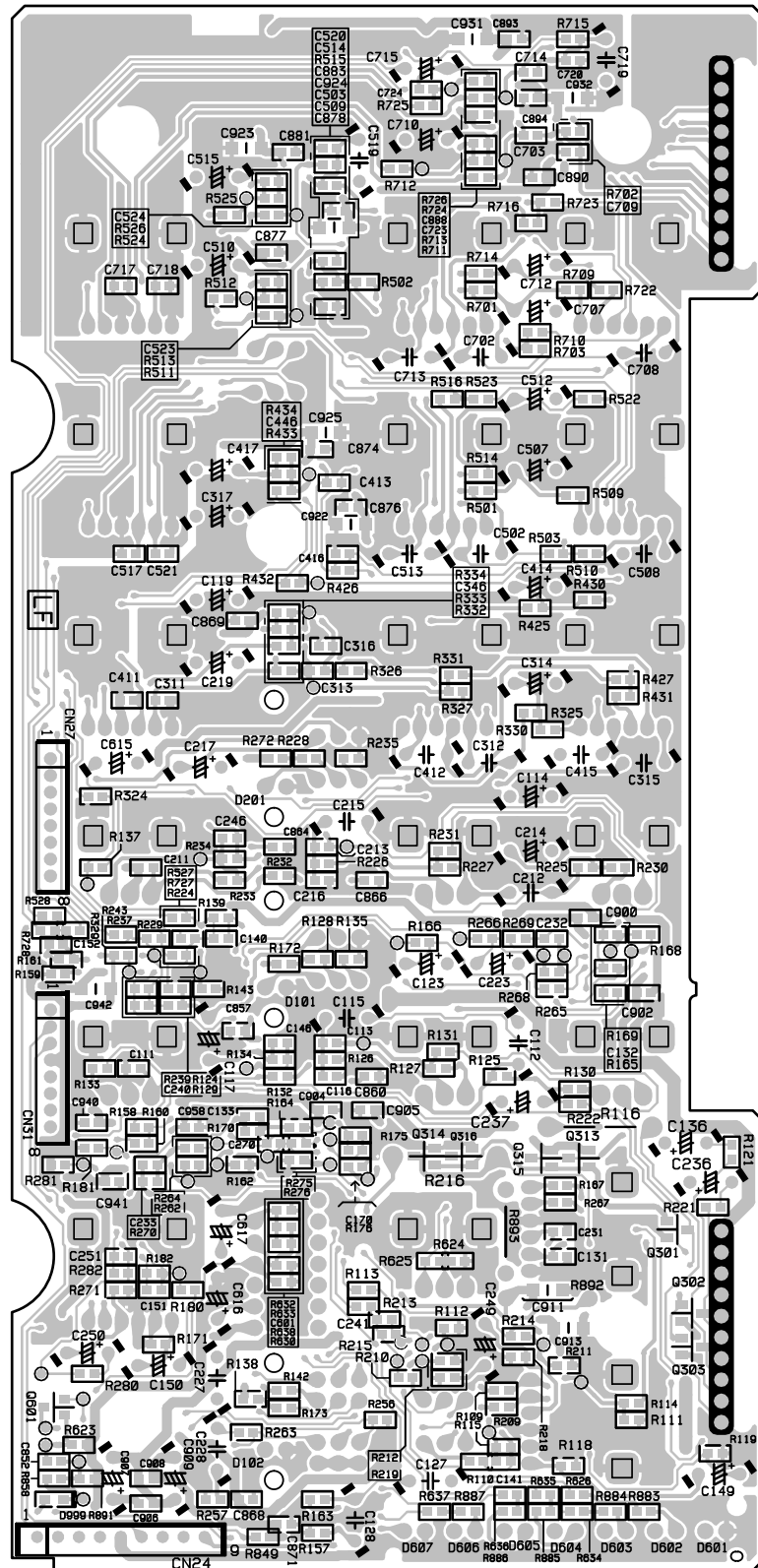
Component side (部品側)



Pattern side (パターン側)

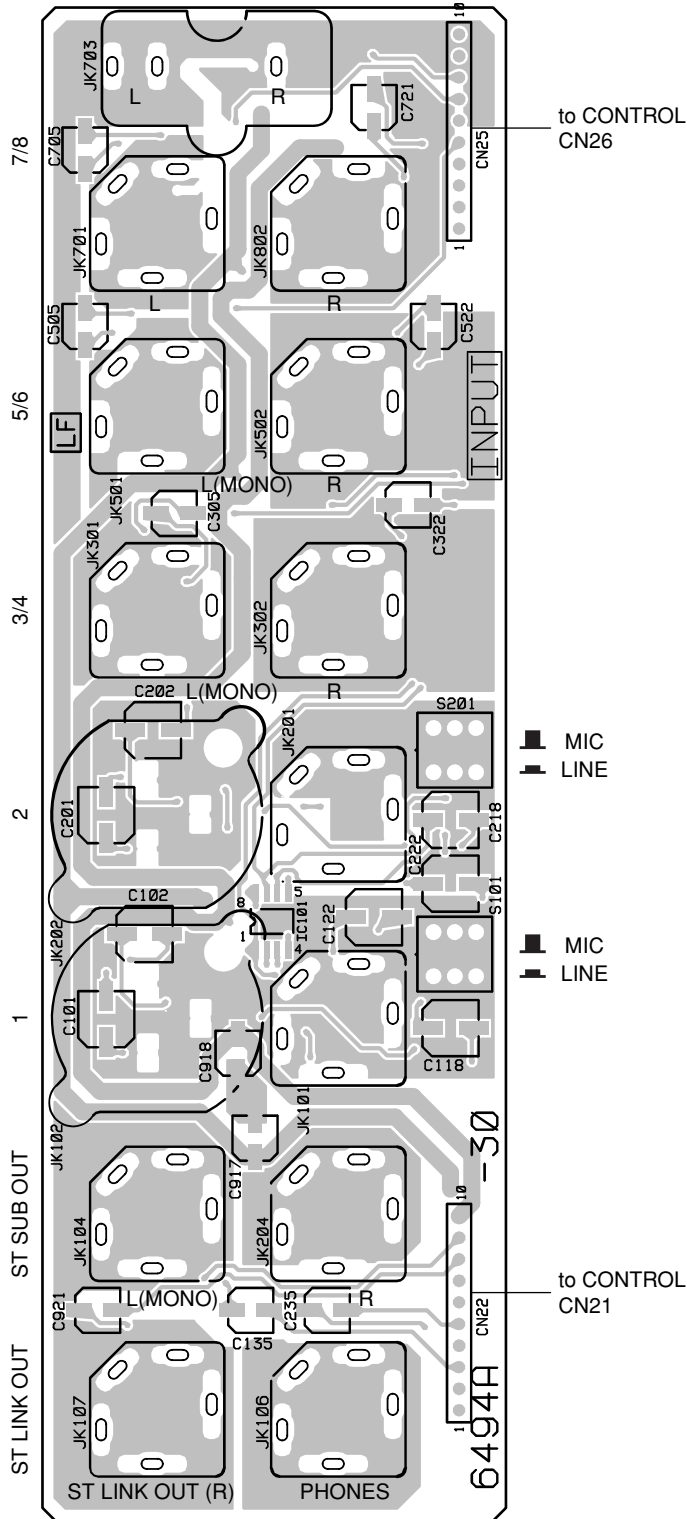
• CONTROL Circuit Board



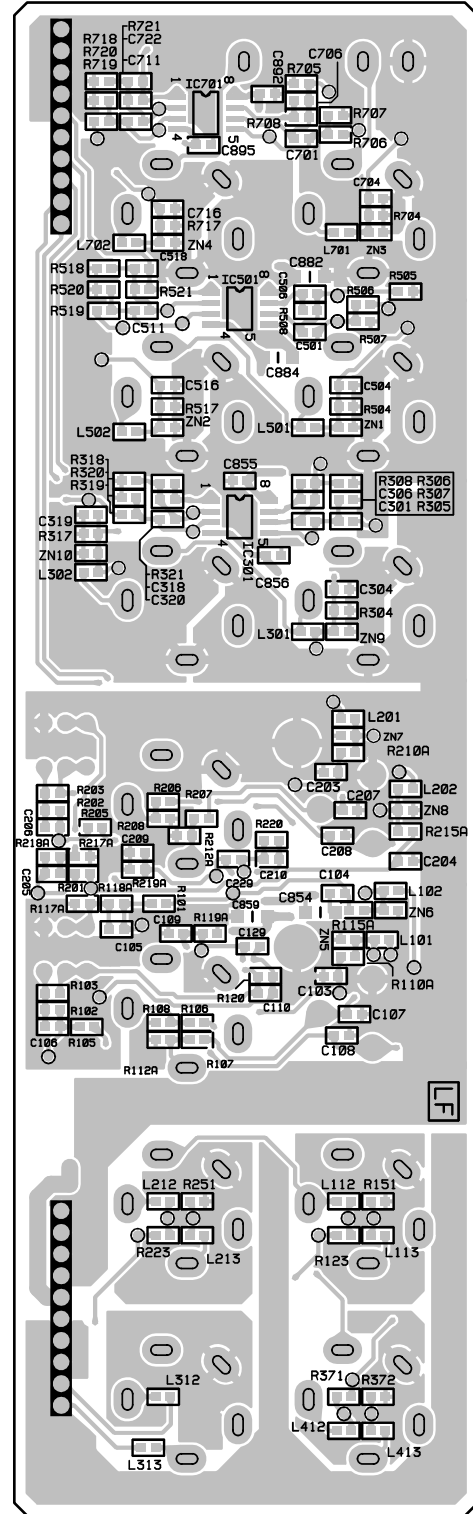


Pattern side (パターン側)

• INPUT Circuit Board

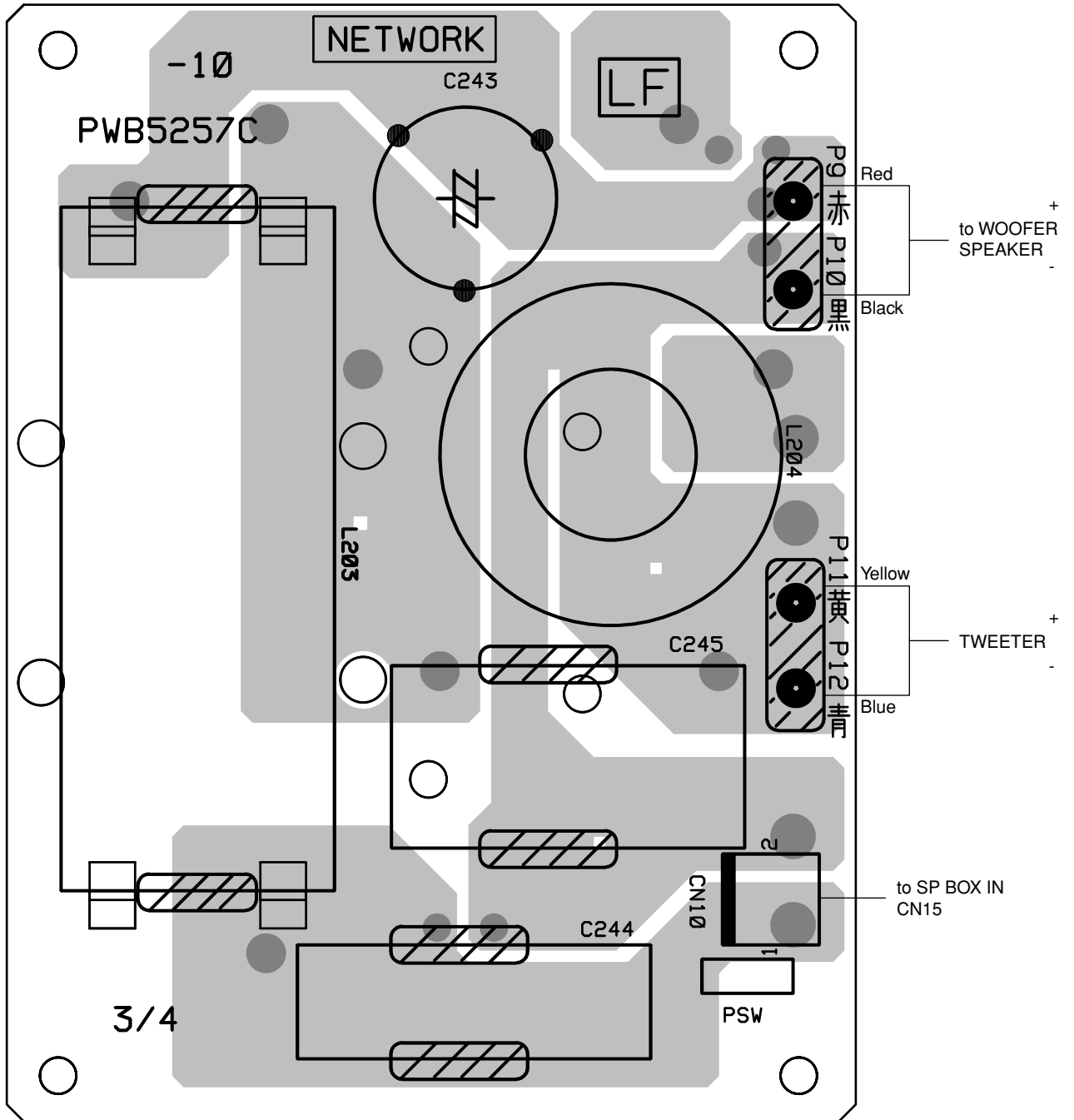


Component side (部品側)



Pattern side (パターン側)

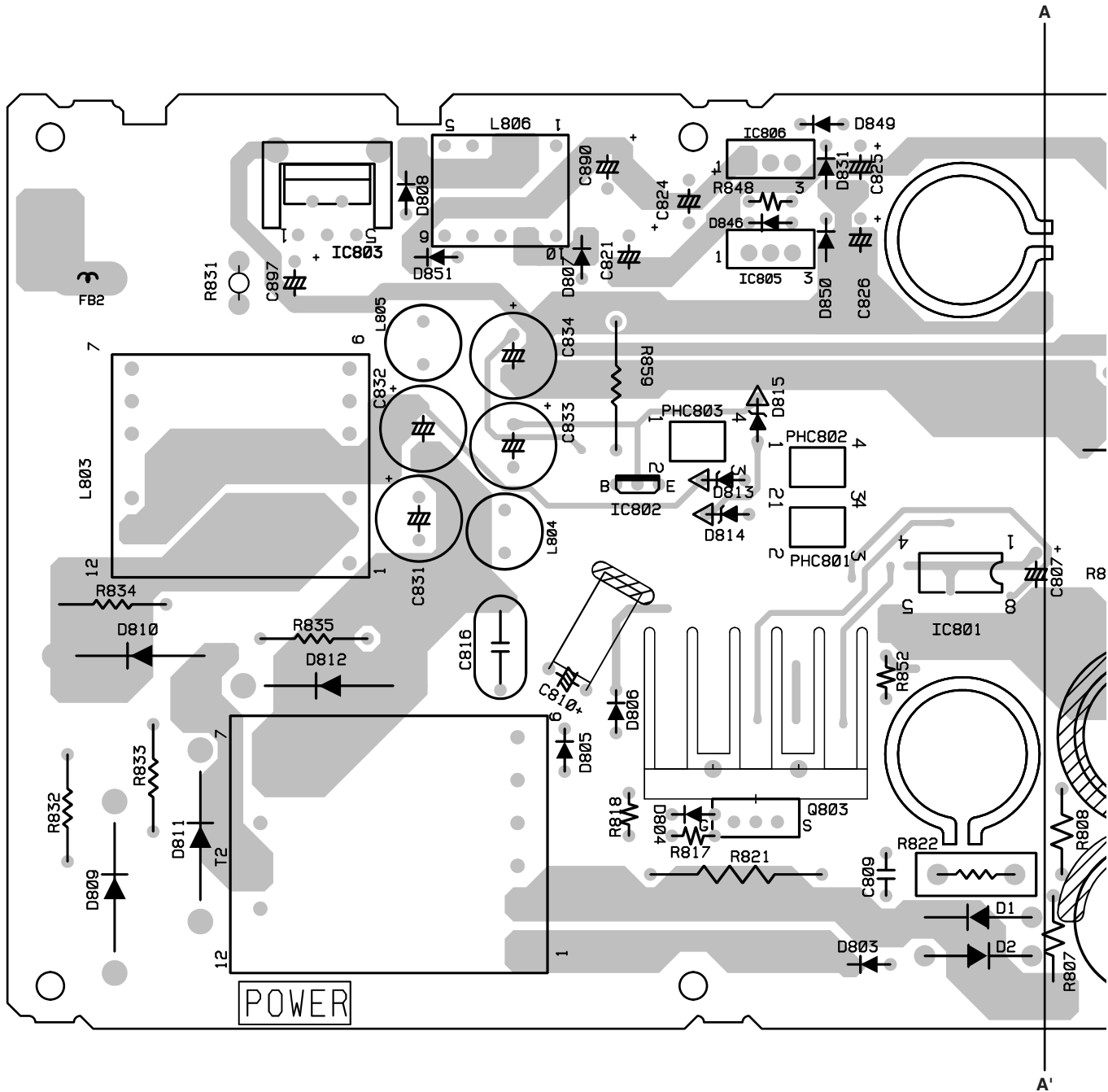
• NETWORK Circuit Board



Component side (部品側)

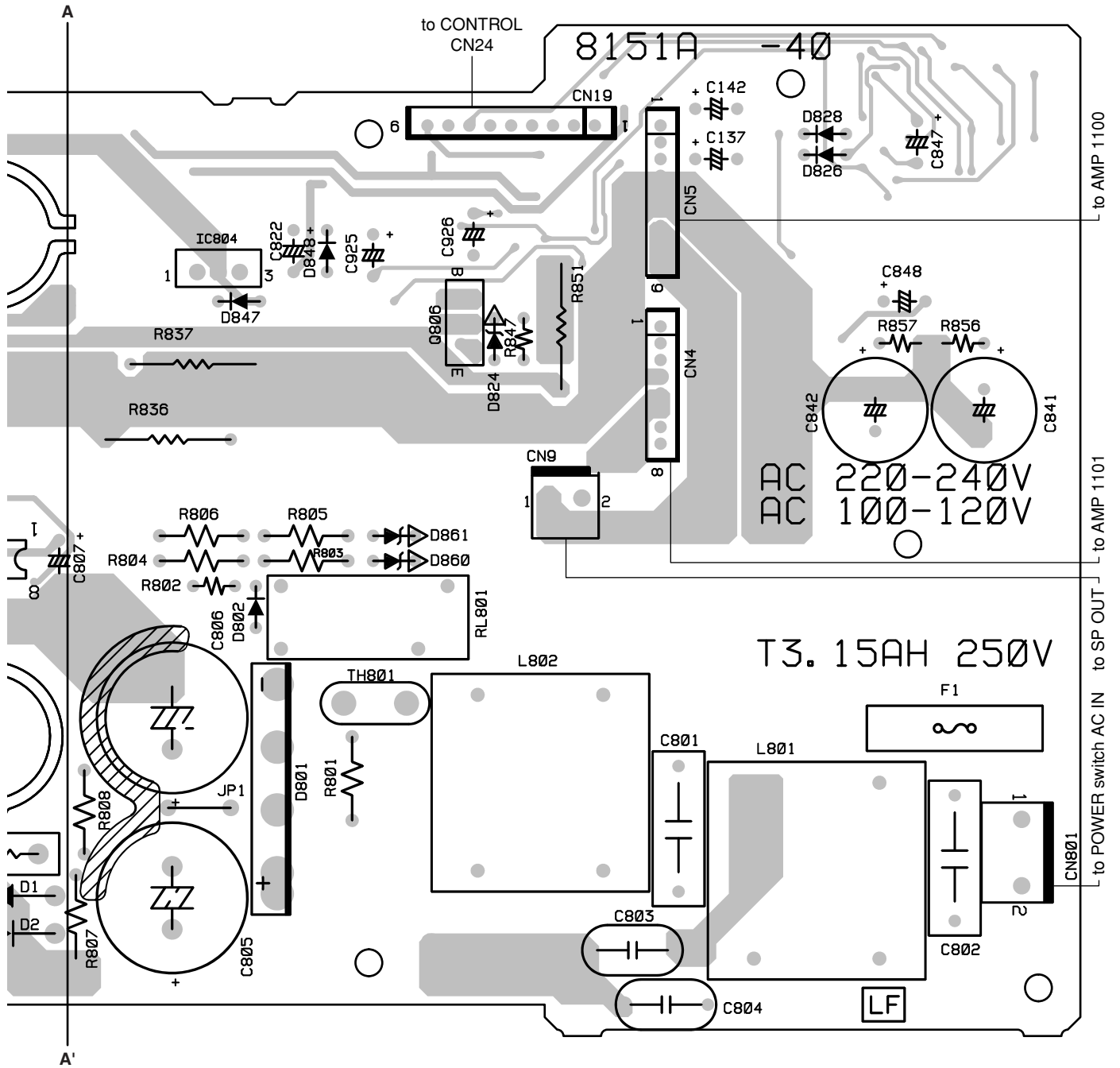
• POWER Circuit Board

Reduction: 4/5



Component side (部品側)

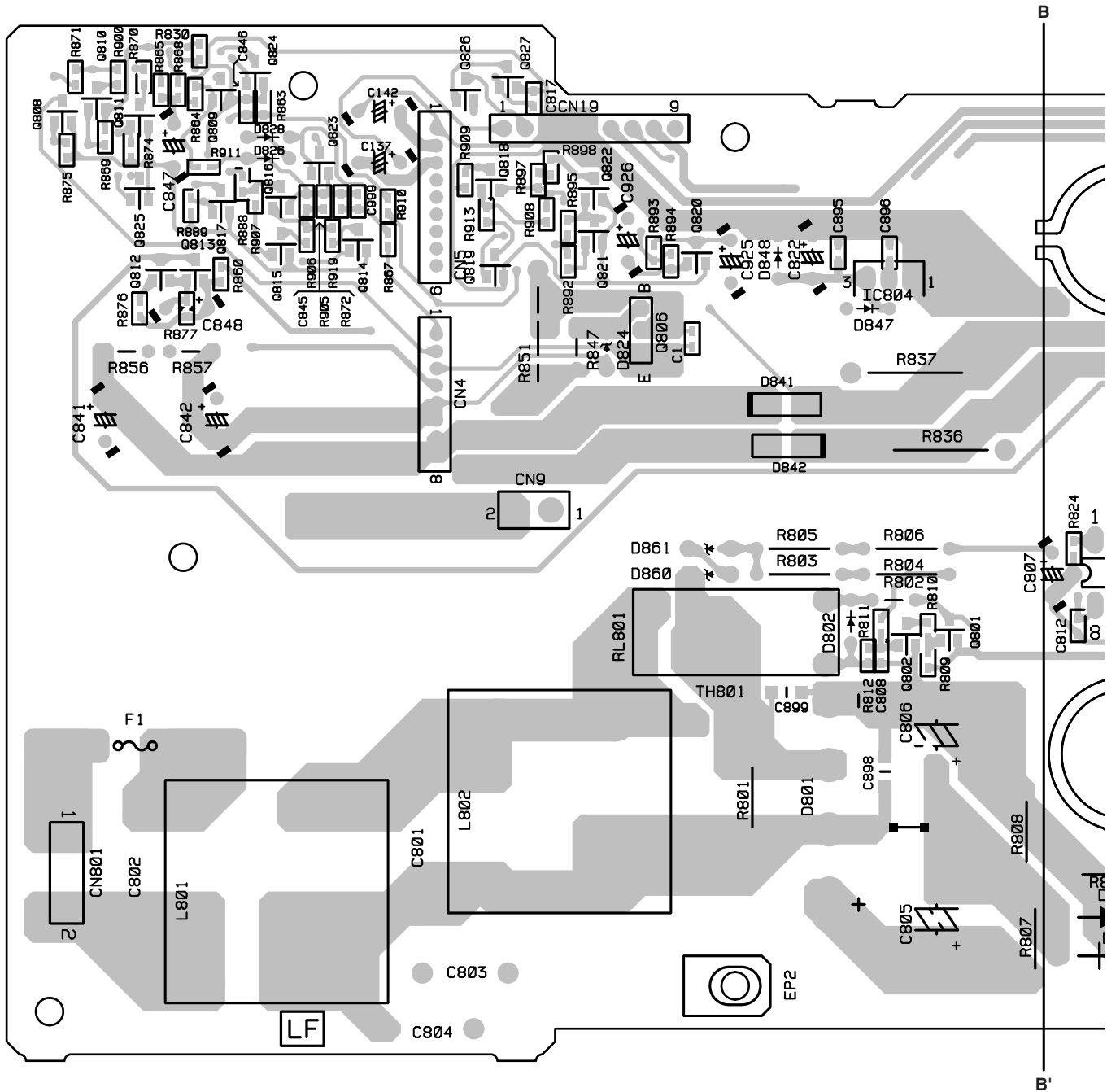
Reduction: 4/5



Component side (部品側)

• POWER Circuit Board

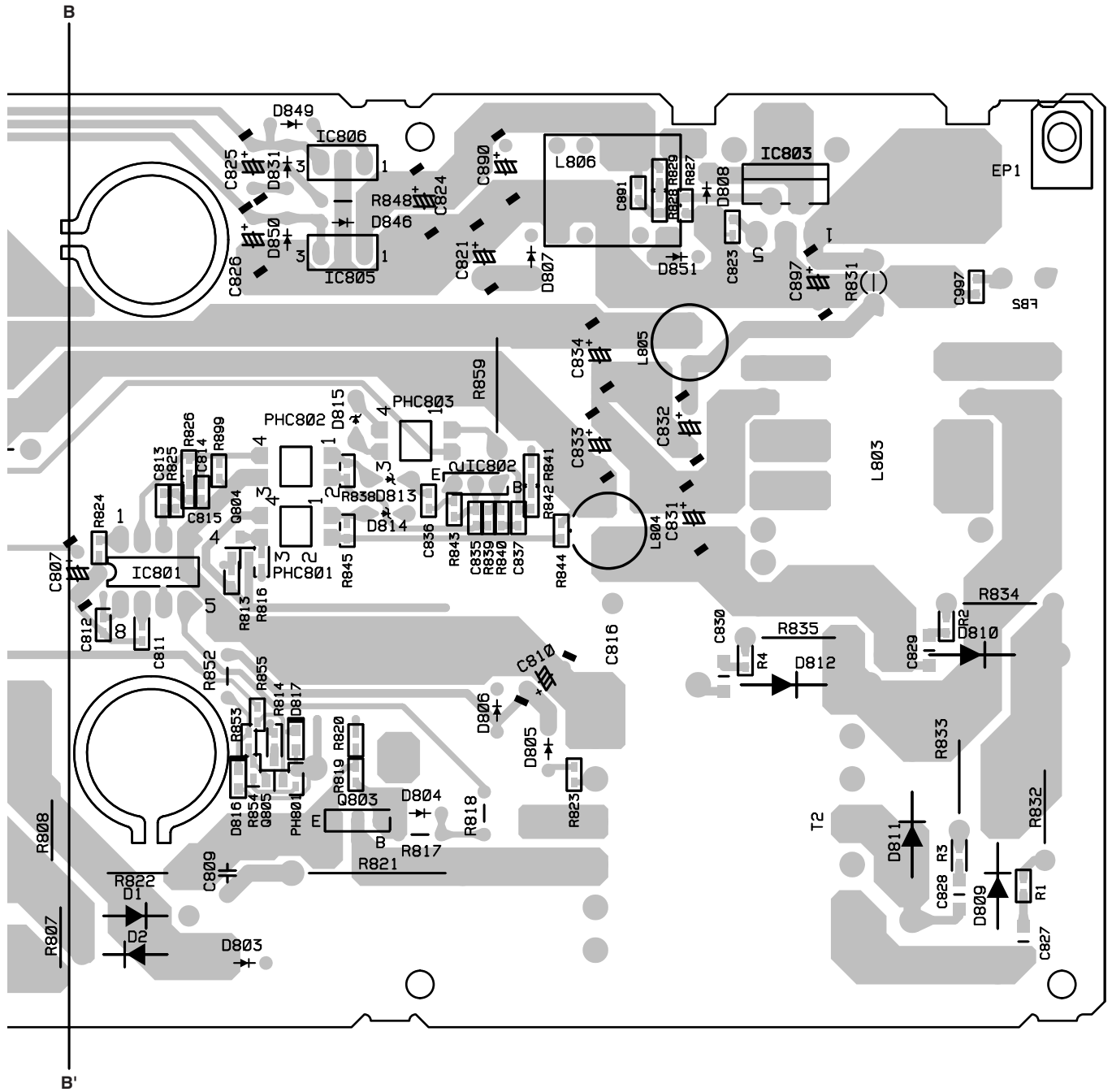
Reduction: 4/5



Pattern side (パターン側)

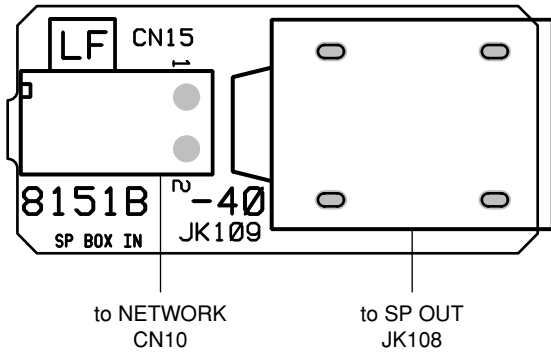


Reduction: 4/5

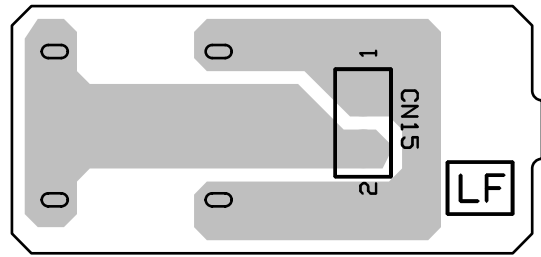


Pattern side (パターン側)

• SP BOX IN Circuit Board



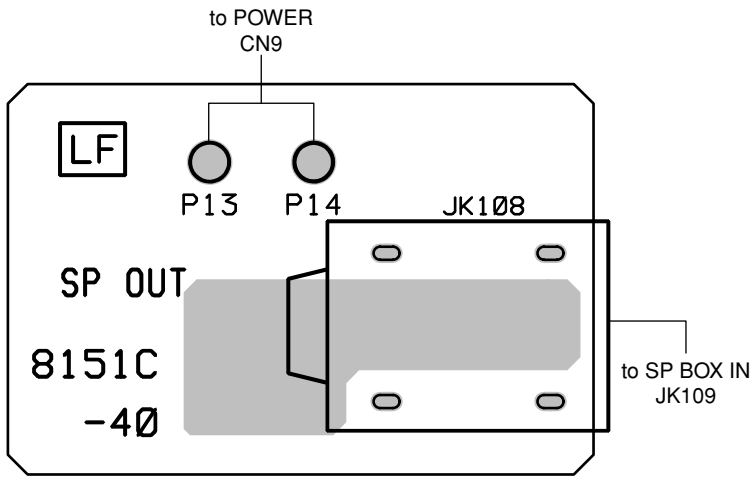
Component side (部品側)



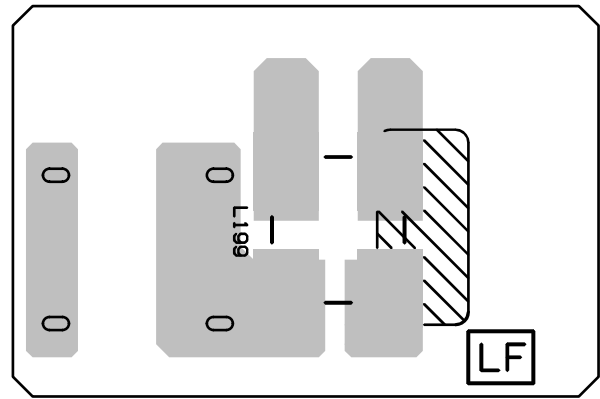
Pattern side (パターン側)

479869

• SP-OUT Circuit Board



Component side (部品側)



Pattern side (パターン側)

479869

## ■ INSPECTIONS (検査)

### 1. Test Conditions (試験条件)

Measuring Voltag (測定電圧):	AC 100 V 50/60 Hz (J) AC 120 V 60 Hz (U) AC 230 V 50 Hz (B, E) AC 220 V 60 Hz (K) AC 220 V 50 Hz (O)
Load (負荷):	SP: 6 Ω, LINK OUT: 10 kΩ
Input (入力):	1 kHz
MASTER LEVEL VR (マスターレベルVR):	MAX.
Tone-control VR (トーンコントロールVR):	HIGH, LOW = All channel Center
REVERB SW (リバーブSW):	All channel OFF
REVERB level (リバーブレベルVR):	MIN.
SPEECH/MUSIC SW (スピーチ/ミュージックSW):	MUSIC
USE MEASUREMENT FILTER:	DIN-Audio
TO SP/PHONES SW:	OFF
TO PHONES SW:	OFF

#### NOTE:

Use a low pass filter (20 kHz) to measure noise at the SP jack (SP OUT).  
(SP端子(SP OUT)でノイズを測定する場合は、ローパスフィルター(20 kHz)を使用してください。)

### 2. Electric Characteristic (電気特性)

No.	ITEM (項目)	INPUT CONDITIONS (入力条件)	OUTPUT CONDITIONS (出力条件)	NOMINAL (標準値)	LIMIT (限界値)	
1	OUTPUT POWER (定格出力)	INPUT1-SW=LINE INPUT1-LEVEL=NOMINAL	SP OUT: 1 % THD OUTPUT (1 %歪出力) 20-20 kHz FILTER	110 W	>100 W	
2	T.H.D. (歪率)	INPUT1-SW=LINE INPUT1-LEVEL=MAX.	SP OUT: 50 W OUTPUT (50 W出力)	1.0 %	<2 %	
		INPUT1-SW=LINE INPUT1-LEVEL=MAX.	STEREO SUB OUT: +14 dBu OUTPUT (Load: 10 kΩ) LINK OUT +14 dBu OUTPUT (Load: 10 kΩ)	L, R R	0.3 % <0.5 %	
3	INPUT SENSITIVITY (入力感度)	INPUT 1, 2 (Each) INPUT=XLR INPUT-SW=MIC INPUT-LEVEL=MAX.	SP OUT: REF: +24 dBu OUTPUT STEREO SUB OUT: +4 dBu OUTPUT (Load: 10 kΩ)	L, R	-58 dBu -61 dBu	-58 dBu ±2 dB -61 dBu ±2 dB
		INPUT 1, 2 (Each) INPUT=PHONE INPUT-SW=LINE INPUT-LEVEL=MAX.	STEREO SUB OUT: +4 dBu OUTPUT (Load: 10 kΩ)	L, R	-21 dBu	-21 dBu ±2 dB
		INPUT 3/4, 5/6 (Each pair) INPUT=PHONE INPUT-LEVEL=MAX.		L, R	-21 dBu	-21 dBu ±2 dB
		INPUT 7/8 (Each pair) INPUT=PHONE, RCA INPUT-LEVEL=MAX.		L, R	-21 dBu	-21 dBu ±2 dB
		INPUT 1 INPUT=XLR INPUT-SW=MIC INPUT-LEVEL=MAX.	LINE OUT R 0 dBu OUTPUT (Load: 10 kΩ)		-61 dBu	-61 dBu ±2 dB
		INPUT 1 INPUT=XLR INPUT-SW=MIC INPUT-LEVEL=MAX.	PHONES +1 dBu OUTPUT (Load: 40 Ω)	L, R	-61 dBu	-61 dBu ±2 dB

No.	ITEM (項目)	INPUT CONDITIONS (入力条件)	OUTPUT CONDITIONS (出力条件)	NOMINAL (標準値)	LIMIT (限界値)		
4	FREQUENCY RESPONSE (周波数特性)	INPUT: 1, 2 (Each) INPUT=XLR INPUT-SW=LINE INPUT-LEVEL=MAX.	60 Hz	SP OUT: REF: 1 kHz, 1 W OUTPUT (基準: 1 kHz、1 W出力)	L, R	+5.0 dB	+4.0 ±2 dB
			10 kHz			+1.0 dB	0 ±2 dB
		INPUT: 3 and 4, 5 and 6, 7 and 8 (Each pair) INPUT=PHONE, RCA INPUT-LEVEL=MAX.	60 Hz	SP OUT: REF: 1 kHz, 1 W OUTPUT (基準: 1 kHz、1 W出力)	L, R	+5.0 dB	+4.0 ±2 dB
			10 kHz			+1.0 dB	0 ±2 dB
5	TONE-CONTROL CHARACTERISTIC (トーンコントロール特性)	INPUT 1, 2, 3, 4, 5, 6, 7, 8 (Each) LOW=MIN. REF: 30 Hz, LOW VR CENTER	REF: 300 mV STEREO SUB OUT (基準: 300 mV STEREO SUB OUT出力) (Load: 10 kΩ)		-15.0 dB	-15.0 ±2 dB	
		INPUT 1, 2, 3, 4, 5, 6, 7, 8 (Each) LOW=MAX. REF: 30 Hz, LOW VR CENTER			+15.0 dB	+15.0 ±2 dB	
		INPUT 1, 2, 3, 4, 5, 6, 7, 8 (Each) HIGH=MIN. REF: 30 kHz, HIGH VR CENTER			-15.0 dB	-15.0 ±2 dB	
		INPUT 1, 2, 3, 4, 5, 6, 7, 8 (Each) HIGH=MAX. REF: 30 kHz, HIGH VR CENTER			+15.0 dB	+15.0 ±2 dB	
		INPUT1 HIGH, LOW VR CENTER SPEECH/MUSIC=SPEECH REF: 80 Hz, MUSIC MODE			-3.0 dB	-3.0 ±2 dB	
6	CROSSTALK (クロストーク)	INPUT 1, 2, 3, 4, 5, 6, 7, 8 to Adjacent INPUT (隣接 CH 間)	SP OUT: REF: 1 kHz, 100 W OUTPUT (基準: 1 kHz、100 W出力) (Measure with 20 kHz LPF AES17)		73 dB	>70 dB	
7	SIGNAL TO NOISE RATIO (信号雑音比)	INPUT SHORT (入力短絡) INPUT-SW=LINE	SP OUT:	SP OUT	53 dB	>50 dB	
			REF: 100 W OUTPUT (基準: 100 W出力)	STEREO SUB OUT	95 dB	>90 dB	
8	RESIDUAL NOISE (残留雑音)	MASTER-LEVEL=MIN. SW-MIC INPUT=XLR INPUT IMPEDANCE=150 Ω	SP OUT		-53 dBu	<-50 dBu	
			SP OUT (Measure with 20 kHz LPF AES17)		-70 dBu	<-65 dBu	
9	TO SP/PHONES SW TO PHONES SW	INPUT5/6 INPUT=PHONE -18 dBu INPUT INPUT-LEVEL=MAX.	SP OUT: Both switches=OFF		+24 dBu	+24 dBu ±2 dB	
			SP OUT: Both switches=ON		NO OUTPUT	NO OUTPUT	
10	LEVEL METER INDICATION (レベルメーター表示)	INPUT1	SP OUT: REF: LEVEL METER="0" (LEVEL METER"0"が表示)		+15.0 dB	22 dBu ±2 dB	
11	POWER CONSUMPTION (消費電力)	INPUT1, 1 kHz, sine wave	SP OUT: REF: 12.5 W OUTPUT		* 30 W	<33 W	

(NOTE): 0 dBu=0.775 V

\* This value is different from the value of specifications on page 3 because of different measurement condition.

(総合仕様(3ページ)とは測定条件が異なります。)

### 3. Over Load Protection (過負荷保護回路動作)

The product shall be set to 12.5 W output on SP OUT.

When + and - of SP OUT short-circuit, the product should stop the output and should blink POWER LED.

(SP OUTに12.5Wを出力させ、SP OUTの+と-をショートさせた時、SP OUTの出力が無くなり、POWER表示LEDが点滅することを確認します。)

### 4. Limiter Indication (リミッター表示の確認)

The product shall be set to 32 dBu output on SP OUT.

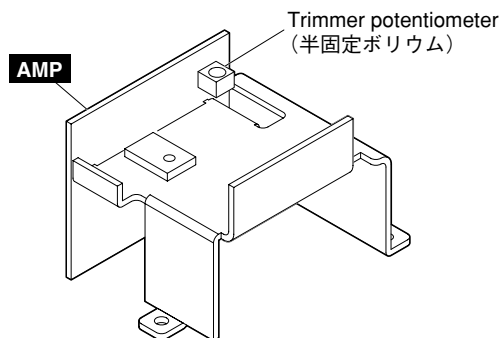
Then, LIMITER LED (RED) should light on and all LEDs of LEVEL meter should light on.

(SP OUTに32 dBuを出力させた時、LIMITER表示LED(赤色)が点灯し(一瞬でも可)、LEVEL表示LEDが全て点灯することを確認します。)

## ■ ADJUSTMENT OF AMPLIFIER (アンプユニットの調整)

1. Connect a 6  $\Omega$  of dummy resistor to the SPEAKER jack.
2. After turning on the power, wait more than 60 seconds until performance is stabilized.  
Then adjust the trimmer potentiometer to make the voltage across the dummy resistor DC  $\pm 3$  mV or less.

1. SPEAKER端子に6 $\Omega$ のダミー抵抗を接続します。
2. 電源ON後、60秒以上経過して動作が安定してから、ダミー抵抗の両端電圧がDC $\pm 3$  mV以下となるように半固定ボリュームを調整します。



# PORTABLE PA SYSTEM

# STAGEPAS 150M

# PARTS LIST

## ■ CONTENTS (目次)

OVERALL ASSEMBLY (総組立) .....	2
MIXER ASSEMBLY (ミキサー Ass'y) .....	5
REAR CASE ASSEMBLY (リアケース Ass'y) .....	7
ELECTRICAL PARTS (電気部品) .....	9

## Notes: DESTINATION ABBREVIATIONS

A : Australian model	M : South African model
B : British model	O : Chinese model
C : Canadian model	Q : South-east Asia model
D : German model	T : Taiwan model
E : European model	U : U.S.A. model
F : French model	V : General export model (110V)
H : North European model	W : General export model (220V)
I : Indonesian model	N,X: General export model
J : Japanese model	Y : Export model
K : Korean model	

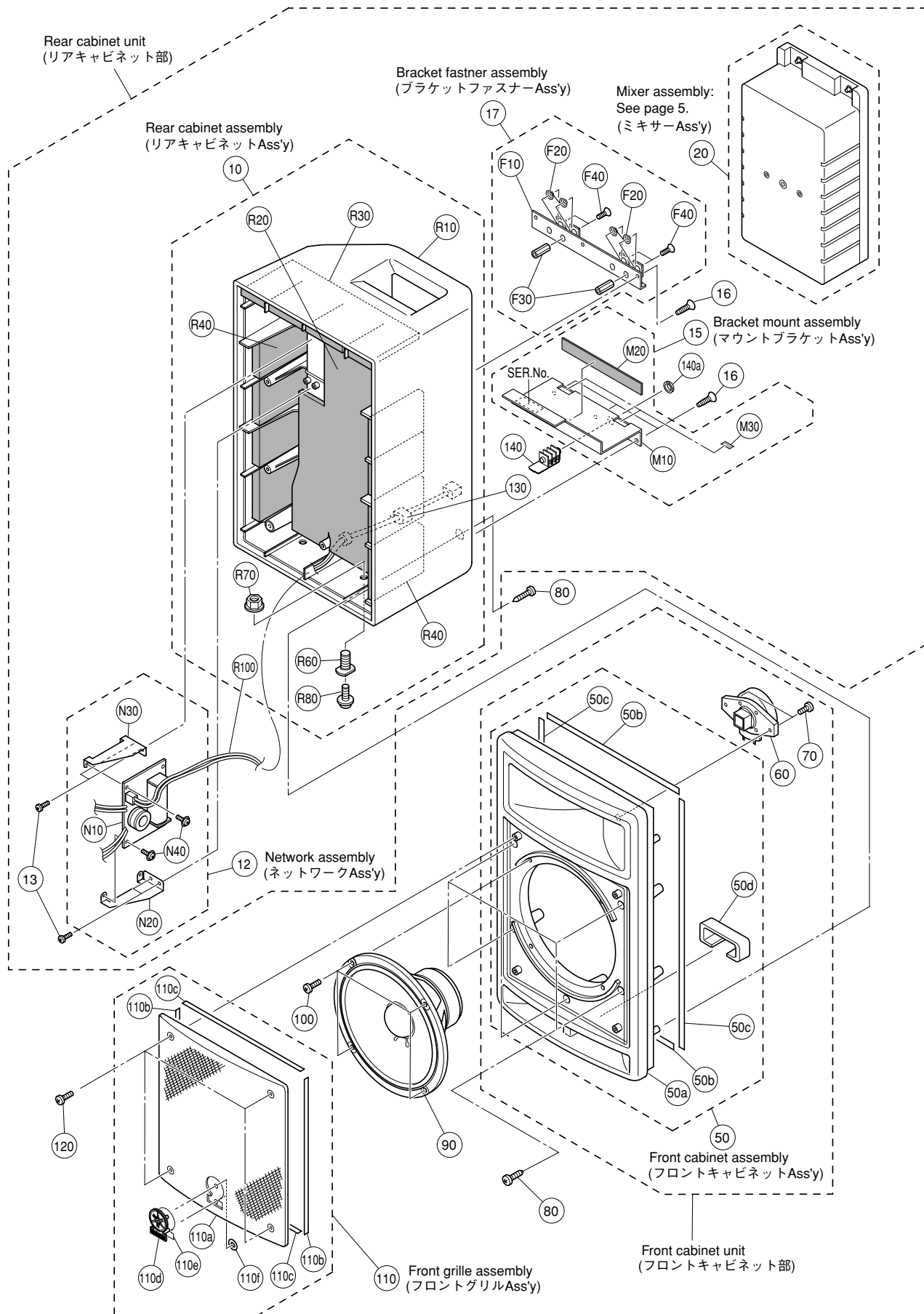
## ■ WARNING (注意)

Components having special characteristics are marked  $\Delta$  and must be replaced with parts having specification equal to those originally installed.

$\Delta$  印の部品は、安全を維持するために重要な部品です。交換する場合は、安全のために必ず指定の部品をご使用ください。

- The numbers "QTY" show quantities for each unit.
- The parts with "--" in "PART NO." are not available as spare parts.
- This mark "}" in the REMARKS column means these parts are interchangeable.
- The second letter of the shaded (■) part number is O, not zero.
- The second letter of the shaded (■) part number is I, not one.
- 部品価格ランクは、変更になることがあります。
- QTY 欄に記されている数字は、各ユニット当たりの使用個数です。
- PART NO. が "--" の部分は、サービス用部品として準備されておりません。
- REMARKS 欄の "}" マークの部品は、併用部品です。
- 網掛けの付いた PART NO. の 2 番目の文字は「ゼロ」ではなく、「オー」です。
- 網掛けの付いた PART NO. の 2 番目の文字は「イチ」ではなく、「アイ」です。

# OVERALL ASSEMBLY (総組立)



REF NO.	PART NO.	DESCRIPTION		部 品 名	REMARKS	QTY	RANK
	--	OVERALL ASSEMBLY		総 組 立	STAGEPAS 150M		
	--	OVERALL ASSEMBLY		総 組 立	J		
	--	OVERALL ASSEMBLY		総 組 立	U		
	--	OVERALL ASSEMBLY		総 組 立	E		
	--	OVERALL ASSEMBLY		総 組 立	B		
	--	OVERALL ASSEMBLY		総 組 立	O		
	--	OVERALL ASSEMBLY		総 組 立	K		
10	AA61590	REAR CABINET ASSEMBLY		リアキャビネットA s s ' y			
12	WP929400	NETWORK ASSEMBLY		ネットワークA s s ' y			
13	AA61710	BIND HEAD TAPPING SCREW-B	3.0x10 NI-BL	B タ イ ト + B I N D		410798	4
15	AA6864R	BRACKET MOUNT ASSEMBLY		マウントB A s s ' y	J,E,B,O,K		
15	AA6865R	BRACKET MOUNT ASSEMBLY		マウントB A s s ' y	U		
16	AA61680	BIND HEAD TAPPING SCREW-B	4.0x10 NI-BL	B タ イ ト + B I N D		410794	6 01
17	AA6866R	BRACKET FASTNER ASSEMBLY		ブラケットF A s s ' y			
20	--	MIXER ASSEMBLY		ミキサーA s s ' y			
50	AA61610	FRONT CABINET ASSEMBLY		フロントC A s s ' y			2
50a	AA75650	FRONT CABINET		フロントキャビネット		369176	
50b	WP183900	CUSHION	7.0x265	ガ ス ケ ッ ト		373196	
50c	WP183800	CUSHION	7.0x440	ガ ス ケ ッ ト		373195	2
50d	WP185400	DAMPING MATERIAL	FELT DUCT	吸 音 材		374239	
60	AA61621	SPEAKER HF		スピーカH F	TWEETER	413587	
70	AA61630	BIND HEAD TAPPING SCREW-B	4.0x20 NI-BL	B タ イ ト + B I N D		410796	2
80	AA61640	BIND HEAD TAPPING SCREW-A	5.0x35 NI-BL	A タ イ ト + B I N D		410788	9 01
90	AA61651	SPEAKER LF		スピーカL F	WOOFER	410403	16
100	AA61660	BIND HEAD TAPPING SCREW-B	4.0x18 NI-BL	B タ イ ト + B I N D		410795	4 01
110	AA61670	FRONT GRILLE ASSEMBLY		フロントグリルA s s ' y			
110a	--	FRONT GRILLE		フロントグリル		413125	
110b	WP184900	CUSHION A GRILLE	6.0x245	クッショングリルA		369573	2
110c	WP185000	CUSHION B GRILLE	6.0x225	クッショングリルB		369576	2
110d	AA78050	LOGO BADGE		ロゴバッジ	YAMAHA	369377	03
110e	AA78060	CUSHION BADGE		クッションバッジ		369669	01
110f	--	BUSH NUT		ブッシュナット		031814	2
120	AA61680	BIND HEAD TAPPING SCREW-B	4.0x10 NI-BL	B タ イ ト + B I N D		410794	4 01
130	AA31970	CUSHION BUSH		クッション		331850	
140	WP919500	CIRCUIT BOARD	SP BOX IN	S P B O X I N	WITH NUT	470642_3-2	
140a	--	HEXAGONAL NUT	M15.0 BL	六角ナット			
R10	AA61590	REAR CABINET ASSEMBLY		リアキャビネットA s s ' y		411069	
R20	AA75640	REAR CABINET		リアキャビネット		369668	
R30	WP185100	DAMPING MATERIAL A	FELT REAR	吸 音 材 A		370586	
R40	WP185300	DAMPING MATERIAL B	FELT TOP	吸 音 材 B		370587	8
R40	WP185300	DAMPING MATERIAL C	FELT SIDE	吸 音 材 C		410784	2 06
R60	AA61720	MISC BOLT		特 殊 ボ ル ト		410781	2 03
R70	AA61730	FLANGE NUT	M12 CR3	フランジナットM12		410789	2 02
R80	AA61740	PAN HEAD SCREW	8.0x25 NI-BL	小ネジ+P A N		407778	
R100	WP132500	CONNECTOR ASSEMBLY	SP VH-VH 2P-500	S P 束 線			
N10	WP929400	NETWORK ASSEMBLY		ネットワークA s s ' y		470647-1	
N20	WP918600	CIRCUIT BOARD	NETWORK	N E T W O R K		370892	05
N30	WJ328600	HOLDER C NETWORK		ネットワーク固定金具C		370893	05
N40	WJ328700	HOLDER D NETWORK		ネットワーク固定金具D		410791	4
N40	AA61700	PAN HEAD TAPPING SCREW-B	3.0x8 CR3 WITH FLANGE	B タ イ ト + P A N			
M10	AA6864R	BRACKET MOUNT ASSEMBLY		マウントB A s s ' y	J,E,B,O,K		
M10	AA6865R	BRACKET MOUNT ASSEMBLY		マウントB A s s ' y	U		
M10	--	MOUNT BRACKET		マウントブラケット	J,E,B,O,K	471696	
M10	--	MOUNT BRACKET		マウントブラケット	U	471697	
M20	WP184200	CUSHION	12x150x2	ク ッ シ ョ ン		416960	
M30	WJ329400	CUSHION	10x20x0.9	ク ッ シ ョ ン		416485	2 01
F10	AA6866R	BRACKET FASTNER ASSEMBLY		ブラケットF A s s ' y		413657	
F20	WP185900	FASTNER BRACKET		ファスナーブラケット		411059	2
F30	AA61750	SPRING		バ ネ		416617	4
F30	AA61760	SPACER	L16	ス ペ ー サ ー		415242	4 01
F40	AA61770	FLAT HEAD SCREW	3.0x8 SC FL NI-BL	小ネジ+F L A T			
		ACCESSORIES		付 属 品			
	AA6858R	AC CORD	J	電 源 ケ ー ブ ル	J	414427	08
	AA6859R	AC CORD	U	電 源 ケ ー ブ ル	U	369532	08
	AA6860R	AC CORD	E	電 源 ケ ー ブ ル	E,K	444741	08

\*: New Parts

RANK: Japan only



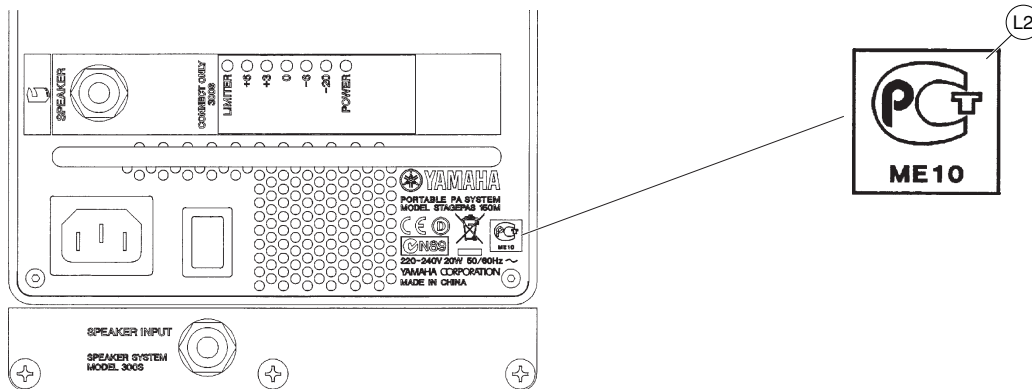
# STAGEPAS 150M

REF NO.	PART NO.	DESCRIPTION	部 品 名	REMARKS	QTY	RANK
	AAX6861R	AC CORD	BS	電源ケーブル	B	444740
	AAX8241R	AC CORD	O (CHN)	電源ケーブル	O	414426
	AAX6862R	SPEAKER CABLE	A1E5-2 LF	スピーカーケーブル		416441
L1	--	LABEL	WEEE	W E E E ラベル	E,B	428263
L2	--	LABEL	GOST-R	G O S T - R ラベル	E	471361
L3	--	LABEL	CCC	C C C ラベル	O	482206
L4	--	LABEL	LIMIT MARK	L I M I T ラベル	O	460619
L5	--	LABEL	DATE CODE	D A T E C O D E ラベル	O	460621

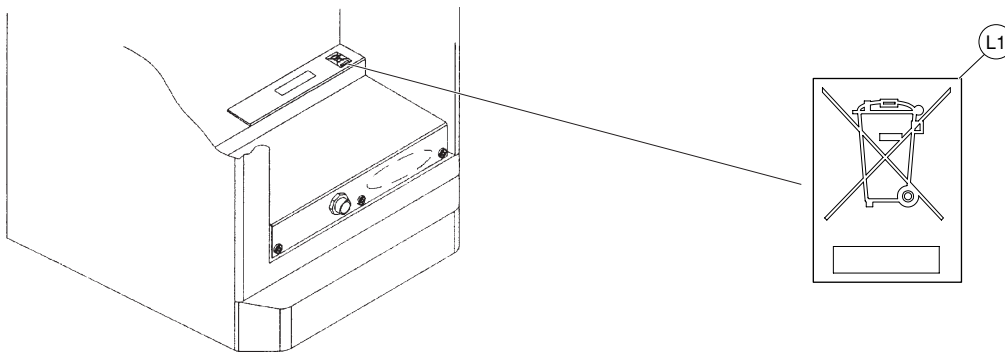
\*: New Parts

RANK: Japan only

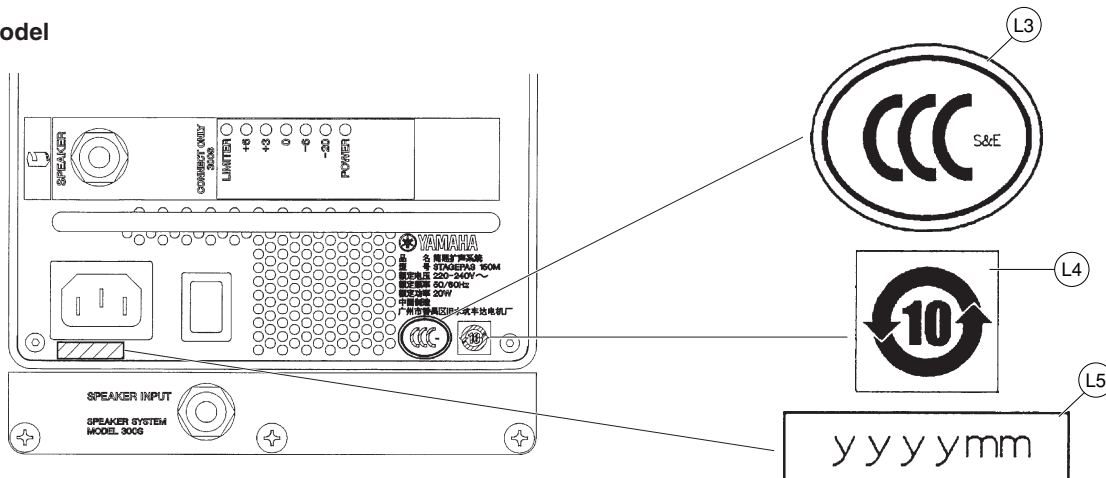
## E model



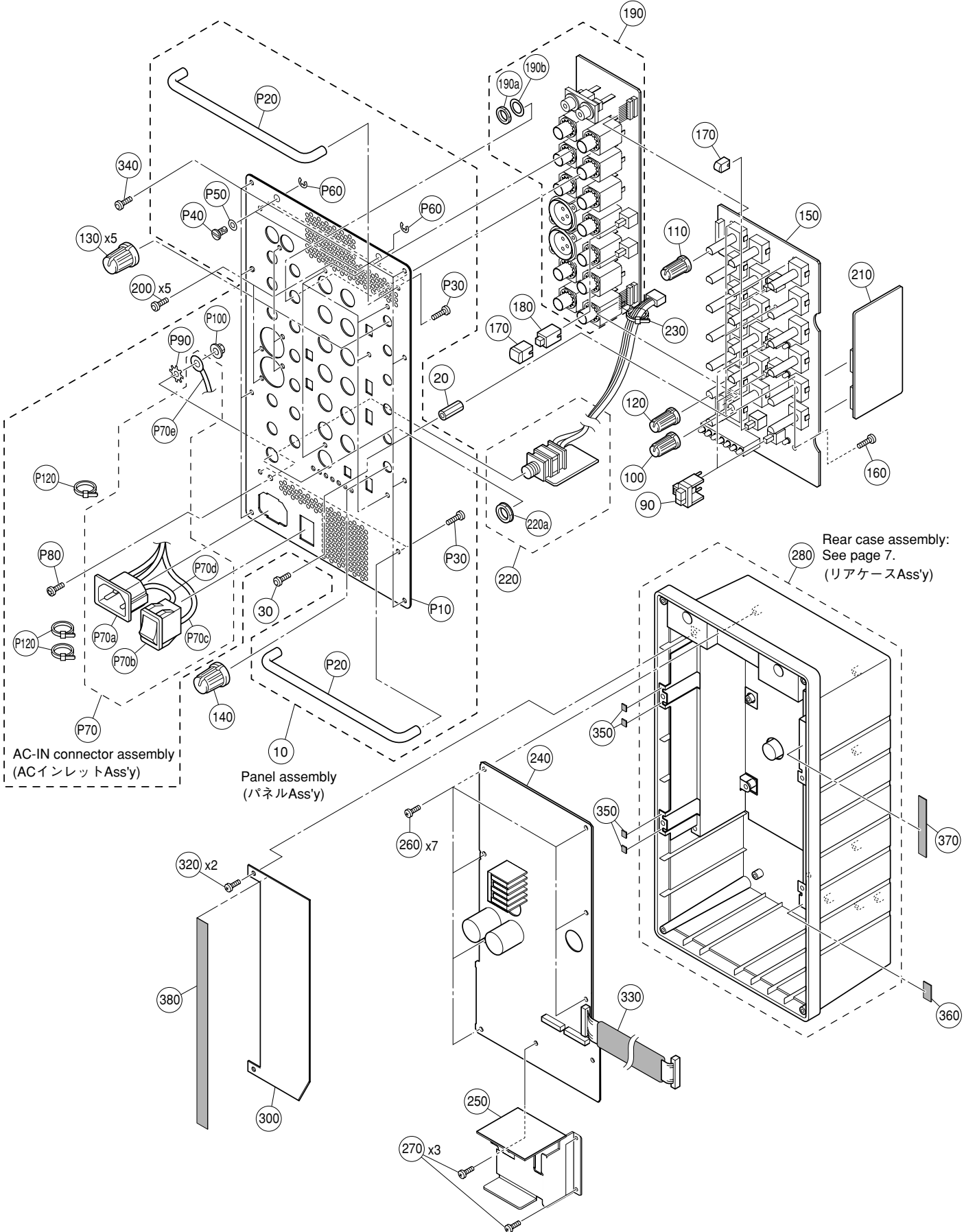
## E, B models



## O model



MIXER ASSEMBLY (ミキサーAss'y)



AC-IN connector assembly (ACインレットAss'y)

Panel assembly (パネルAss'y)

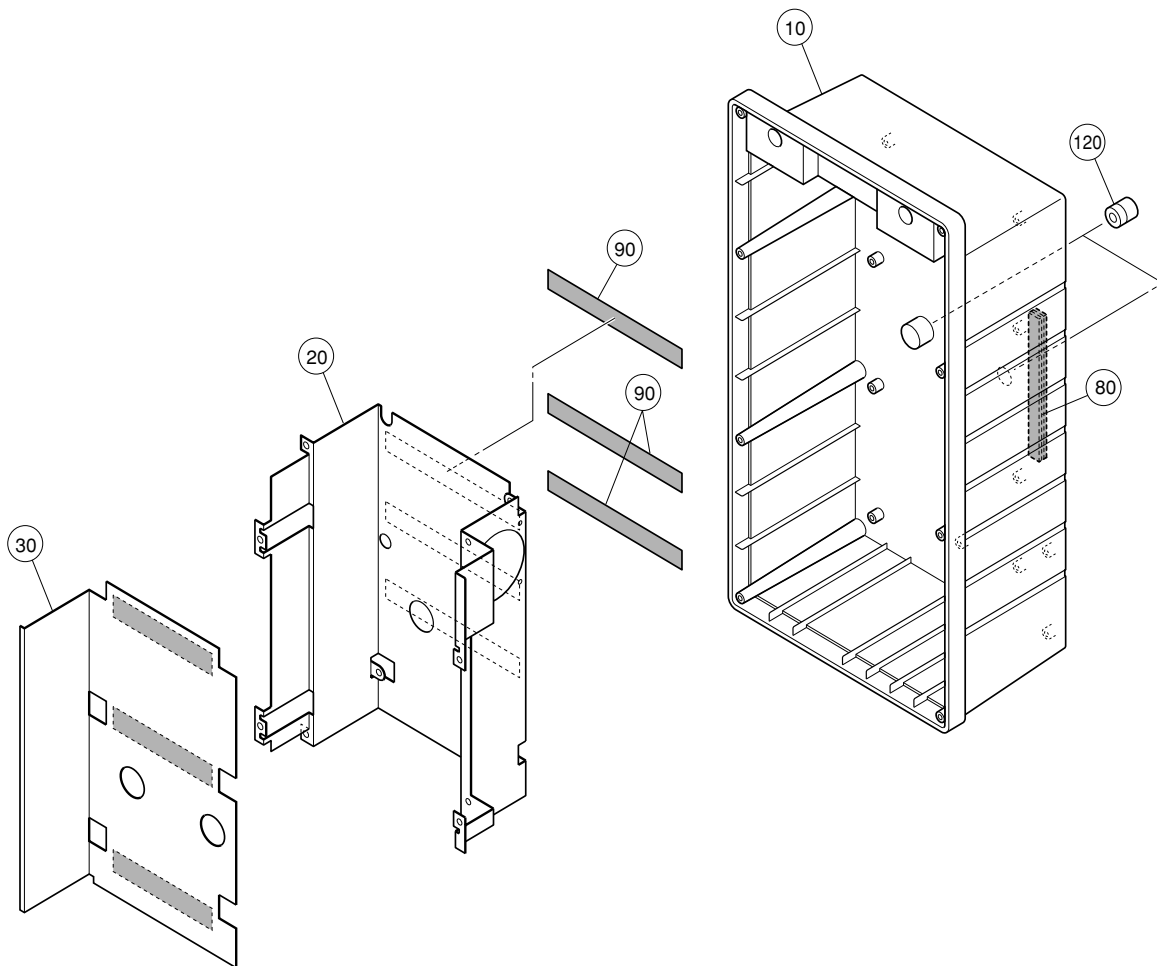
Rear case assembly: See page 7. (リアケースAss'y)

STAGEPAS 150M

REF NO.	PART NO.	DESCRIPTION		部 品 名	REMARKS	QTY	RANK
10	--	MIXER ASSEMBLY		ミキサー A s s ' y	STAGEPAS 150M		
20	--	PANEL ASSEMBLY		パネル A s s ' y			
30	<b>AAx61760</b>	SPACER	L16	スペーサー	411063	5	
90	<b>V966470R</b>	HEXAGONAL SCREW	3.0x8 NI-BL	六角ネジ	411066	5	01
100	<b>V966520R</b>	PUSH BUTTON MILKY/D-GRAY		プッシュボタン	410350	3	01
110	<b>V966530R</b>	VOLUME KNOB WHITE/GRAY	S	ノブ V R ( S ) 白 / 灰	REVERB 410354		
120	<b>V966540R</b>	VOLUME KNOB GREEN/GRAY	S	ノブ V R ( S ) 緑 / 灰	REVERB 410355	10	01
130	<b>WA00990R</b>	VOLUME KNOB BLUE/GRAY	S	ノブ V R ( S ) 青 / 灰	HIGH,LOW 410356	2	01
140	<b>WA01000R</b>	VOLUME KNOB WHITE/M-GRAY		ノブ V R 白 / 灰	PHONES, 410358	5	
150	<b>WP918900</b>	VOLUME KNOB RED/M-GRAY		ノブ V R 赤 / 灰	ST SUB OUT LEVEL(CH1,2,3/4, 5/6,7/8) 410359		
160	<b>AAx61910</b>	CIRCUIT BOARD	CONTROL	C O N T R O L シ ー ト	LEVEL (MASTER) 410359		
170	<b>V966480R</b>	CIRCUIT BOARD	3.0x8 CR3	小ネジ + B I N D	470637-1	5	
180	<b>AAx61920</b>	BIND HEAD SCREW		プッシュボタン 灰 / 白	410792	4	01
190	<b>WP919000</b>	PUSH BUTTON WHITE/D-GRAY	INPUT	プッシュスベータ I N P U T シ ー ト	410353	2	
190a	--	CIRCUIT BOARD	M11.0	六角ナット	411147	12	
190b	--	HEXAGONAL NUT	M9.2	ワッシャー	470637-2	12	
200	<b>AAx61710</b>	FLAT WASHER	3.0x10 NI-BL	B タイト + B I N D	410798	5	
210	<b>WP919100</b>	BIND HEAD TAPPING SCREW-B	REVERB	R E V E R B シ ー ト	470637-3		
220	<b>WP919600</b>	CIRCUIT BOARD	SP OUT	S P O U T シ ー ト	470642_3-3		
220a	--	CIRCUIT BOARD	M15.0 BL	六角ナット			
230	<b>AAx6324R</b>	CORD HOLDER	SKB-1M WH	インシュロックタイ			
240	<b>WP919300</b>	CIRCUIT BOARD	POWER	P O W E R シ ー ト	J,U 470642-1		
240	<b>WP919400</b>	CIRCUIT BOARD	POWER	P O W E R シ ー ト	B,E,K,O 470643-1		
250	<b>WP919700</b>	CIRCUIT BOARD	AMP	A M P シ ー ト	470636-1		
260	<b>AAx61980</b>	BIND HEAD TAPPING SCREW-B	3.0x8 CR3	B タイト + B I N D	410797	7	
270	<b>AAx61710</b>	BIND HEAD TAPPING SCREW-B	3.0x10 NI-BL	B タイト + B I N D	410798	3	
280	--	REAR CASE ASSEMBLY		リアケース A s s ' y	(AAx61990)		
300	<b>WP929100</b>	INSULATOR C	A1G8A0	絶 縁 板 C	472428		
320	<b>AAx61980</b>	BIND HEAD TAPPING SCREW-B	3.0x8 CR3	B タイト + B I N D	410797	2	
330	<b>WP183700</b>	CUSHION A	40x80x2	クッション A	353341		
340	<b>WP927800</b>	HEXAGONAL TAPPING SCREW-B	3x8 NI-BL	B タイト六角ネジ	411067	8	
350	<b>WP184300</b>	CUSHION	7x7	クッション	420287	4	
360	<b>WP184400</b>	CUSHION	7x13	クッション	420288		
370	<b>WP184500</b>	CUSHION	7x46	クッション	420289		
380	--	CUSHION	20x170x2	クッション	480689		
P10	<b>WP929500</b>	PANEL ASSEMBLY		パネル A s s ' y			
P10	<b>WP929600</b>	PANEL		パネ ル	J,U 474068		
P10	<b>WP929700</b>	PANEL		パネ ル	B,E 474069		
P10	<b>WP929800</b>	PANEL		パネ ル	K 480619		
P20	<b>AAx61810</b>	HANDLE		パネ ル	O 481289		
P30	<b>AAx61910</b>	BIND HEAD SCREW	3.0x8 CR3	ハン ド ル	411057	2	
P40	<b>WJ492800</b>	FASTNER HEAD		小ネジ + B I N D	410792	4	
P50	<b>WJ492600</b>	FLAT WASHER	D9.5	ファスナーヘッド	413462	2	08
P60	<b>WJ492700</b>	RET-RING	E4	ワッシャー	411068	2	01
P70	<b>WP918400</b>	AC-IN CONNECTOR ASSEMBLY		リ ン グ	411064	2	01
P70a	<b>WJ614300</b>	AC INLET	SS-120-1.0A-4.0A	A C イ ン レ ッ ト A s s ' y			
P70b	<b>WP914100</b>	SWITCH	RF-10030BBG8A1H1	A C イ ン レ ッ ト	AC IN 446340		04
P70c	<b>WP915500</b>	CONNECTOR ASSEMBLY	VH 2P3 (110) A1G8	電 源 S W	POWER ON/OFF 402656		
P70d	<b>WP914200</b>	CONNECTOR ASSEMBLY	PR1x60 A1E5A0	束 線 2 P	472680		
P70e	--	CONNECTOR ASSEMBLY	M4.0 (55) A1G3	束 線 1 P	407775		
P80	<b>WP182900</b>	EARTH WIRE	4.0x14 CR3-BL	ア ー ス 線	446695		
P90	<b>WP183300</b>	PIN TORX SCREW	M4.0 CR3	P I N T O R X ネ ジ	451974		
P100	<b>AAx61890</b>	TOOTHED LOCK WASHER B	M4.0 CR3	歯 付 ワ ッ シ ャ ー	416947		
P120	--	HEXAGONAL NUT	M4.0 CR3	フランジ付き六角ナット	410782		
		CORD HOLDER	SKB-1M WH	インシュロックタイ	080558	2	

\*: New Parts

RANK: Japan only

**REAR CASE ASSEMBLY (リアケースAss'y)**

**STAGEPAS 150M**

REF NO.	PART NO.	DESCRIPTION		部 品 名	REMARKS	QTY	RANK
	--	REAR CASE ASSEMBLY		リア ケース A s s ' y	STAGEPAS 150M		
		REAR CASE ASSEMBLY		リア ケース A s s ' y			
10	<b>WP186000</b>	REAR CASE		リ ア ケー ス	J,B,E,K,O	417253	
10	<b>WP930500</b>	REAR CASE		リ ア ケー ス	U	414790	
20	<b>WP183600</b>	SHIELD CASE		シールドケース		411065	
30	<b>WP184700</b>	INSULATOR A		絶縁板 A		411149	
80	<b>WP184100</b>	CUSHION	8.0x65x2	ク ッ シ ャ ン		412957	3
90	<b>WP184000</b>	CUSHION	7.0x100x2	ク ッ シ ャ ン		377588	3
120	<b>WP183200</b>	NUT		ナ ッ ト		402989	2

\*: New Parts

RANK: Japan only

■ ELECTRICAL PARTS (電気部品)

REF NO.	PART NO.	DESCRIPTION	部 品 名	REMARKS	QTY	RANK
		ELECTRICAL PARTS	電 気 部 品	STAGEPAS 150M		
*	WP919700	CIRCUIT BOARD	A M P シ ー ト	470636-1		
*	WP918900	CIRCUIT BOARD	C O N T R O L シ ー ト	470637-1		
*	WP919000	CIRCUIT BOARD	I N P U T シ ー ト	470637-2		
*	WP919100	CIRCUIT BOARD	R E V E R B シ ー ト	470637-3		
*	WP918600	CIRCUIT BOARD	N E T W O R K シ ー ト	470647-1		
△	WP919300	CIRCUIT BOARD	P O W E R シ ー ト	J,U 470642-1		
△	WP919400	CIRCUIT BOARD	P O W E R シ ー ト	B,E,K,O 470643-1		
*	WP919500	CIRCUIT BOARD	S P B O X I N シ ー ト	WITH NUT 470642_3-2		
*	WP919600	CIRCUIT BOARD	S P O U T シ ー ト	WITH NUT 470642_3-3		
	WP919700	CIRCUIT BOARD	A M P シ ー ト	470636-1		
*	WP928100	WASHER PL	ワ ッ シ ャ ー	417384		
*	WP928200	WASHER SP	ワ ッ シ ャ ー	417385		
*	WP928000	HEXAGONAL NUT	六 角 ナ ッ ト	422987		
*	WP927700	SCREW BD	ネ ジ	433391		
*	WP928500	HEATSINK	ヒ ー ト シ ン ク	470495		
1100	WJ593100	CONNECTOR BASE POST	コ ネ ク タ 9 P	432421		03
1101	WJ593400	CONNECTOR BASE POST	コ ネ ク タ 8 P	438405		03
2100	WJ592300	CERAMIC CAPACITOR (CHIP)	チ ッ プ セ ラ コ ン	431122		01
2101	WP042600	ELECTROLYTIC CAP.	ケ ミ コ ン	432522		
2102	WJ592300	CERAMIC CAPACITOR (CHIP)	チ ッ プ セ ラ コ ン	431122		01
2103	AAAX6302R	CERAMIC CAPACITOR (CHIP)	チ ッ プ セ ラ コ ン	065501		
2104	WJ284400	ELECTROLYTIC CAP.	ケ ミ コ ン	422175		
2105	WJ592300	CERAMIC CAPACITOR (CHIP)	チ ッ プ セ ラ コ ン	431122		01
2106	WJ591500	CERAMIC CAPACITOR (CHIP)	チ ッ プ セ ラ コ ン	442682		01
2107	AAAX6302R	CERAMIC CAPACITOR (CHIP)	チ ッ プ セ ラ コ ン	065501		
2108	AAAX6350R	ELECTROLYTIC CAP.	ケ ミ コ ン	066700		01
2109	WJ592100	CERAMIC CAPACITOR (CHIP)	チ ッ プ セ ラ コ ン	334335		03
2110	WJ591300	CERAMIC CAPACITOR (CHIP)	チ ッ プ セ ラ コ ン	420810		01
2111	WP064100	CERAMIC CAPACITOR (CHIP)	チ ッ プ セ ラ コ ン	457806		
2112	WJ592300	CERAMIC CAPACITOR (CHIP)	チ ッ プ セ ラ コ ン	431122		01
2113	WN831600	MYLAR CAPACITOR	マ イ ラ コ ン	064940		
2114	WJ592300	CERAMIC CAPACITOR (CHIP)	チ ッ プ セ ラ コ ン	431122		01
2115	AAAX6302R	CERAMIC CAPACITOR (CHIP)	チ ッ プ セ ラ コ ン	065501		
2116	WJ591300	CERAMIC CAPACITOR (CHIP)	チ ッ プ セ ラ コ ン	420810		01
2117	WJ592100	CERAMIC CAPACITOR (CHIP)	チ ッ プ セ ラ コ ン	334335		03
2118	WP064100	CERAMIC CAPACITOR (CHIP)	チ ッ プ セ ラ コ ン	457806		
2119	WJ591500	CERAMIC CAPACITOR (CHIP)	チ ッ プ セ ラ コ ン	442682		01
2120	WJ592100	CERAMIC CAPACITOR (CHIP)	チ ッ プ セ ラ コ ン	334335		03
2121	WJ284400	ELECTROLYTIC CAP.	ケ ミ コ ン	422175		
2122	WJ592300	CERAMIC CAPACITOR (CHIP)	チ ッ プ セ ラ コ ン	431122		01
2123	AAAX6273R	CERAMIC CAPACITOR (CHIP)	チ ッ プ セ ラ コ ン	368353		
2124	WP042600	ELECTROLYTIC CAP.	ケ ミ コ ン	432522		
2125	WJ592300	CERAMIC CAPACITOR (CHIP)	チ ッ プ セ ラ コ ン	431122		01
2126	WJ592300	CERAMIC CAPACITOR (CHIP)	チ ッ プ セ ラ コ ン	431122		01
3100	AAAX6315R	CARBON RESISTOR (CHIP)	チ ッ プ 抵 抗	067492		01
3101	WP037400	CARBON RESISTOR (CHIP)	チ ッ プ 抵 抗	432430		
3102	AAAX6290R	CARBON RESISTOR (CHIP)	チ ッ プ 抵 抗	067544		
3103	AAAX6312R	CARBON RESISTOR (CHIP)	チ ッ プ 抵 抗	067500		
3104	AAAX6280R	CARBON RESISTOR (CHIP)	チ ッ プ 抵 抗	067546		
*	3105	WP915600	CARBON RESISTOR (CHIP)	チ ッ プ 抵 抗	473378	
3106	AAAX6281R	CARBON RESISTOR (CHIP)	チ ッ プ 抵 抗	067495		
3107	AAAX6280R	CARBON RESISTOR (CHIP)	チ ッ プ 抵 抗	067546		
3108	WJ600000	CARBON RESISTOR (CHIP)	チ ッ プ 抵 抗	067675		01
*	3109	WP899200	CARBON RESISTOR (CHIP)	チ ッ プ 抵 抗	067540	
3110	WJ600100	CARBON RESISTOR (CHIP)	チ ッ プ 抵 抗	085399		01
3111	WJ599700	CARBON RESISTOR (CHIP)	チ ッ プ 抵 抗	067538		01
3112	AAAX6407R	CARBON RESISTOR (CHIP)	チ ッ プ 抵 抗	067504		
3113	AAAX6380R	CARBON RESISTOR (CHIP)	チ ッ プ 抵 抗	067562		
3114	AAAX6281R	CARBON RESISTOR (CHIP)	チ ッ プ 抵 抗	067495		
3115	AAAX6410R	CARBON RESISTOR (CHIP)	チ ッ プ 抵 抗	067503		
3116	AAAX6310R	CARBON RESISTOR (CHIP)	チ ッ プ 抵 抗	067514		
3117	AAAX6281R	CARBON RESISTOR (CHIP)	チ ッ プ 抵 抗	067495		
3118	AAAX6407R	CARBON RESISTOR (CHIP)	チ ッ プ 抵 抗	067504		
3119	AAAX6380R	CARBON RESISTOR (CHIP)	チ ッ プ 抵 抗	067562		
3120	AAAX6410R	CARBON RESISTOR (CHIP)	チ ッ プ 抵 抗	067503		
3121	WJ611600	POSITIVE THERMISTOR	ポ ジ ス タ	432431		07
3122	AAAX6310R	CARBON RESISTOR (CHIP)	チ ッ プ 抵 抗	067514		
3123	AAAX6281R	CARBON RESISTOR (CHIP)	チ ッ プ 抵 抗	067495		

\*: New Parts

RANK: Japan only

AMP and CONTROL and INPUT and REVERB

REF NO.	PART NO.	DESCRIPTION		部 品 名	REMARKS	QTY	RANK
3124	WJ600000	CARBON RESISTOR (CHIP)	10 J	チ ッ プ 抵 抗		067675	01
3125	WJ600100	CARBON RESISTOR (CHIP)	27 J	チ ッ プ 抵 抗		085399	01
3126	WJ599700	CARBON RESISTOR (CHIP)	390 J	チ ッ プ 抵 抗		067538	01
3127	AAx6281R	CARBON RESISTOR (CHIP)	1K J	チ ッ プ 抵 抗		067495	
3128	WJ599500	CARBON RESISTOR (CHIP)	100 J	チ ッ プ 抵 抗		067493	01
3129	AAx6281R	CARBON RESISTOR (CHIP)	1K J	チ ッ プ 抵 抗		067495	
3130	AAx6408R	CARBON RESISTOR (CHIP)	680 J	チ ッ プ 抵 抗		067557	
3131	AAx6317R	CARBON RESISTOR (CHIP)	560 J	チ ッ プ 抵 抗		067551	
3132	AAx6408R	CARBON RESISTOR (CHIP)	680 J	チ ッ プ 抵 抗		067557	
3133	AAx6312R	CARBON RESISTOR (CHIP)	1M J	チ ッ プ 抵 抗		067500	
3134	WP037400	CARBON RESISTOR (CHIP)	0.056	チ ッ プ 抵 抗		432430	
3135	AAx6315R	CARBON RESISTOR (CHIP)	10 J	チ ッ プ 抵 抗		067492	01
3136	WJ606900	CARBON RESISTOR (CHIP)	15K J	チ ッ プ 抵 抗		067709	01
3137	WJ613400	TRIMMER POTENTIOMETER	100 KVSF639TC101	半 固 定 抵 抗		459054	03
3138	WJ599500	CARBON RESISTOR (CHIP)	100 J	チ ッ プ 抵 抗		067493	01
3139	WJ599500	CARBON RESISTOR (CHIP)	100 J	チ ッ プ 抵 抗		067493	01
3140	AAx6409R	CARBON RESISTOR (CHIP)	0.00 J	チ ッ プ 抵 抗		067491	
3141	AAx6280R	CARBON RESISTOR (CHIP)	47K J	チ ッ プ 抵 抗		067546	
5100	WJ594100	COIL	BLM41PG750SN1L T	コ イ ル		432423	03
* 5101	WP915300	COIL	FT6041 LF	コ イ ル		471923	
5102	WJ594000	COIL	BLM21PG221SN1D T	コ イ ル		432422	01
5103	WJ594100	COIL	BLM41PG750SN1L T	コ イ ル		432423	03
6100	WJ595100	DIODE	BAS316 T LF	ダ イ オード		432426	02
6101	WJ595100	DIODE	BAS316 T LF	ダ イ オード		432426	02
6102	WJ595000	DIODE	1PS76SB10 T LF	ダ イ オード		432425	02
6103	WJ595200	ZENER DIODE	PDZ-12B T LF	ツェナーダイオード		432427	02
6104	WJ595400	DIODE	1SS370(TE85L F) T	ダ イ オード		432574	02
6105	WJ595300	ZENER DIODE	PDZ-3.3B T LF	ツェナーダイオード		432428	02
6106	WJ595400	DIODE	1SS370(TE85L F) T	ダ イ オード		432574	02
6107	WJ595000	DIODE	1PS76SB10 T LF	ダ イ オード		432425	02
6108	WJ595100	DIODE	BAS316 T LF	ダ イ オード		432426	02
6109	WJ595000	DIODE	1PS76SB10 T LF	ダ イ オード		432425	02
6110	WJ595000	DIODE	1PS76SB10 T LF	ダ イ オード		432425	02
7100	WJ613100	TRANSISTOR	BC856BW T LF	トランジスタ		432438	01
7101	WJ612100	TRANSISTOR	2SA1587-GR(TE85L F)	トランジスタ		432433	02
7102	WJ613100	TRANSISTOR	BC856BW T LF	トランジスタ		432438	01
7103	WP037500	FET	STP14NF12FP LF	F E T		432432	
7104	WJ613200	TRANSISTOR	BC857CW T LF	トランジスタ		432439	02
7105	WJ612200	TRANSISTOR	2SA1954-B(TE85L F)	トランジスタ		432434	02
7107	WJ613100	TRANSISTOR	BC856BW T LF	トランジスタ		432438	01
7108	WJ613100	TRANSISTOR	BC856BW T LF	トランジスタ		432438	01
7109	WP037500	FET	STP14NF12FP LF	F E T		432432	
7110	WJ613200	TRANSISTOR	BC857CW T LF	トランジスタ		432439	02
7112	WJ612200	TRANSISTOR	2SA1954-B(TE85L F)	トランジスタ		432434	02
7113	WJ613000	TRANSISTOR	BC847CW T LF	トランジスタ		432437	02
7114	WJ613000	TRANSISTOR	BC847CW T LF	トランジスタ		432437	02
7115	WJ612900	TRANSISTOR	BC846BW T LF	トランジスタ		432436	02
7116	WJ613000	TRANSISTOR	BC847CW T LF	トランジスタ		432437	02
7117	WJ613000	TRANSISTOR	BC847CW T LF	トランジスタ		432437	02
7119	WJ612700	TRANSISTOR	2SC2713-GR(T5L F T)	トランジスタ		432435	02
7120	WJ612700	TRANSISTOR	2SC2713-GR(T5L F T)	トランジスタ		432435	02
* * * * *	WP918900	CIRCUIT BOARD	CONTROL	C O N T R O L シー ト		470637-1	
* * * * *	WP919000	CIRCUIT BOARD	INPUT	I N P U T シー ト		470637-2	
* * * * *	WP919100	CIRCUIT BOARD	REVERB	R E V E R B シー ト		470637-3	
* * * * *	WP929200	LED HOLDER		L E D ホ ル ダ ー		411148	
C101	AAx6293R	ELECTROLYTIC CAP. (CHIP)	22uF 50V	チ ッ プ ケ ミ コ ン		412427	
C102	AAx6293R	ELECTROLYTIC CAP. (CHIP)	22uF 50V	チ ッ プ ケ ミ コ ン		412427	
C103	AAx6294R	CERAMIC CAPACITOR (CHIP)	470pF 50V J	チ ッ プ セ ラ コ ン		378052	
-108	AAx6294R	CERAMIC CAPACITOR (CHIP)	470pF 50V J	チ ッ プ セ ラ コ ン		378052	
C109	AAx6296R	CERAMIC CAPACITOR (CHIP)	27pF 50V J	チ ッ プ セ ラ コ ン		368358	
C110	AAx6296R	CERAMIC CAPACITOR (CHIP)	27pF 50V J	チ ッ プ セ ラ コ ン		368358	
C111	AAx6300R	CERAMIC CAPACITOR (CHIP)	100pF 50V J	チ ッ プ セ ラ コ ン		065473	
C112	AAx6395R	MYLAR CAPACITOR	0.039uF 50V J	マ イ ラ コ ン		065104	
C113	AAx6272R	CERAMIC CAPACITOR (CHIP)	47pF 50V J	チ ッ プ セ ラ コ ン		065490	
C114	AAx6336R	ELECTROLYTIC CAP.	10uF 50V	ケ ミ コ ン		407785	
C115	AAx6396R	MYLAR CAPACITOR	820pF 50V J	マ イ ラ コ ン		065144	
C116	AAx6300R	CERAMIC CAPACITOR (CHIP)	100pF 50V J	チ ッ プ セ ラ コ ン		065473	
C117	AAx6336R	ELECTROLYTIC CAP.	10uF 50V	ケ ミ コ ン		407785	
C118	AAx6297R	ELECTROLYTIC CAP. (CHIP)	47uF 25V	チ ッ プ ケ ミ コ ン		412426	

\*: New Parts

RANK: Japan only

## CONTROL and INPUT and REVERB

REF NO.	PART NO.	DESCRIPTION	部 品 名	REMARKS	QTY	RANK
C119	AA6336R	ELECTROLYTIC CAP.	ケ ミ コ ン		407785	
C120	AA6182R	CERAMIC CAPACITOR (CHIP)	チ ッ プ セ ラ コ ン		065472	
C121	WN832800	ELECTROLYTIC CAP.	ケ ミ コ ン		0664770	
C122	AA6297R	ELECTROLYTIC CAP. (CHIP)	チ ッ プ ケ ミ コ ン		412426	
C123	AA6336R	ELECTROLYTIC CAP.	ケ ミ コ ン		407785	
C124	WN832800	ELECTROLYTIC CAP.	ケ ミ コ ン		0664770	
C125	AA611160	MYLAR CAPACITOR	マ イ ラ コ ン ( W = 6 )		064914	
C126	AA611160	MYLAR CAPACITOR	マ イ ラ コ ン ( W = 6 )		064914	
C127	AA63452R	MYLAR CAPACITOR	マ イ ラ コ ン		064908	03
C128	AA63452R	MYLAR CAPACITOR	マ イ ラ コ ン		064908	03
C129	AA6298R	CERAMIC CAPACITOR (CHIP)	チ ッ プ セ ラ コ ン		065484	
C130	WN831700	MYLAR CAPACITOR	マ イ ラ コ ン		065000	
C131	AA6300R	CERAMIC CAPACITOR (CHIP)	チ ッ プ セ ラ コ ン		065473	
C132	AA6272R	CERAMIC CAPACITOR (CHIP)	チ ッ プ セ ラ コ ン		065490	
C133	AA6298R	CERAMIC CAPACITOR (CHIP)	チ ッ プ セ ラ コ ン		065484	
C135	AA6299R	ELECTROLYTIC CAP. (CHIP)	チ ッ プ ケ ミ コ ン		412428	
C136	AA6397R	ELECTROLYTIC CAP.	ケ ミ コ ン		407788	
C140	AA6300R	CERAMIC CAPACITOR (CHIP)	チ ッ プ セ ラ コ ン		065473	
C141	AA6298R	CERAMIC CAPACITOR (CHIP)	チ ッ プ セ ラ コ ン		065484	
C146	AA6272R	CERAMIC CAPACITOR (CHIP)	チ ッ プ セ ラ コ ン		065490	
C149	AA6336R	ELECTROLYTIC CAP.	ケ ミ コ ン		407785	
C150	AA6336R	ELECTROLYTIC CAP.	ケ ミ コ ン		407785	
C151	AA6301R	CERAMIC CAPACITOR (CHIP)	チ ッ プ セ ラ コ ン		065483	
C152	AA6300R	CERAMIC CAPACITOR (CHIP)	チ ッ プ セ ラ コ ン		065473	
C170	AA6298R	CERAMIC CAPACITOR (CHIP)	チ ッ プ セ ラ コ ン		065484	
C201	AA6293R	ELECTROLYTIC CAP. (CHIP)	チ ッ プ ケ ミ コ ン		412427	
C202	AA6293R	ELECTROLYTIC CAP. (CHIP)	チ ッ プ ケ ミ コ ン		412427	
C203	AA6294R	CERAMIC CAPACITOR (CHIP)	チ ッ プ セ ラ コ ン		378052	
-208	AA6294R	CERAMIC CAPACITOR (CHIP)	チ ッ プ セ ラ コ ン		378052	
C209	AA6296R	CERAMIC CAPACITOR (CHIP)	チ ッ プ セ ラ コ ン		368358	
C210	AA6296R	CERAMIC CAPACITOR (CHIP)	チ ッ プ セ ラ コ ン		368358	
C211	AA6300R	CERAMIC CAPACITOR (CHIP)	チ ッ プ セ ラ コ ン		065473	
C212	AA6395R	MYLAR CAPACITOR	マ イ ラ コ ン		065104	
C213	AA6272R	CERAMIC CAPACITOR (CHIP)	チ ッ プ セ ラ コ ン		065490	
C214	AA6336R	ELECTROLYTIC CAP.	ケ ミ コ ン		407785	
C215	AA6396R	MYLAR CAPACITOR	マ イ ラ コ ン		065144	
C216	AA6300R	CERAMIC CAPACITOR (CHIP)	チ ッ プ セ ラ コ ン		065473	
C217	AA6336R	ELECTROLYTIC CAP.	ケ ミ コ ン		407785	
C218	AA6297R	ELECTROLYTIC CAP. (CHIP)	チ ッ プ ケ ミ コ ン		412426	
C219	AA6336R	ELECTROLYTIC CAP.	ケ ミ コ ン		407785	
C222	AA6297R	ELECTROLYTIC CAP. (CHIP)	チ ッ プ ケ ミ コ ン		412426	
C223	AA6336R	ELECTROLYTIC CAP.	ケ ミ コ ン		407785	
C227	AA63452R	MYLAR CAPACITOR	マ イ ラ コ ン		064908	03
C228	AA63452R	MYLAR CAPACITOR	マ イ ラ コ ン		064908	03
C229	AA6298R	CERAMIC CAPACITOR (CHIP)	チ ッ プ セ ラ コ ン		065484	
C231	AA6300R	CERAMIC CAPACITOR (CHIP)	チ ッ プ セ ラ コ ン		065473	
C232	AA6272R	CERAMIC CAPACITOR (CHIP)	チ ッ プ セ ラ コ ン		065490	
C233	AA6298R	CERAMIC CAPACITOR (CHIP)	チ ッ プ セ ラ コ ン		065484	
C235	AA6299R	ELECTROLYTIC CAP. (CHIP)	チ ッ プ ケ ミ コ ン		412428	
C236	AA6397R	ELECTROLYTIC CAP.	ケ ミ コ ン		407788	
C237	AA6397R	ELECTROLYTIC CAP.	ケ ミ コ ン		407788	
C240	AA6300R	CERAMIC CAPACITOR (CHIP)	チ ッ プ セ ラ コ ン		065473	
C241	AA6298R	CERAMIC CAPACITOR (CHIP)	チ ッ プ セ ラ コ ン		065484	
C246	AA6272R	CERAMIC CAPACITOR (CHIP)	チ ッ プ セ ラ コ ン		065490	
C249	AA6336R	ELECTROLYTIC CAP.	ケ ミ コ ン		407785	
C250	AA6336R	ELECTROLYTIC CAP.	ケ ミ コ ン		407785	
C251	AA6301R	CERAMIC CAPACITOR (CHIP)	チ ッ プ セ ラ コ ン		065483	
C270	AA6298R	CERAMIC CAPACITOR (CHIP)	チ ッ プ セ ラ コ ン		065484	
C301	AA6272R	CERAMIC CAPACITOR (CHIP)	チ ッ プ セ ラ コ ン		065490	
C304	AA6301R	CERAMIC CAPACITOR (CHIP)	チ ッ プ セ ラ コ ン		065483	
C305	AA6299R	ELECTROLYTIC CAP. (CHIP)	チ ッ プ ケ ミ コ ン		412428	
C306	AA6298R	CERAMIC CAPACITOR (CHIP)	チ ッ プ セ ラ コ ン		065484	
C311	AA6300R	CERAMIC CAPACITOR (CHIP)	チ ッ プ セ ラ コ ン		065473	
C312	AA6395R	MYLAR CAPACITOR	マ イ ラ コ ン		065104	
C313	AA6272R	CERAMIC CAPACITOR (CHIP)	チ ッ プ セ ラ コ ン		065490	
C314	AA6336R	ELECTROLYTIC CAP.	ケ ミ コ ン		407785	
C315	AA6396R	MYLAR CAPACITOR	マ イ ラ コ ン		065144	
C316	AA6300R	CERAMIC CAPACITOR (CHIP)	チ ッ プ セ ラ コ ン		065473	
C317	AA6336R	ELECTROLYTIC CAP.	ケ ミ コ ン		407785	
C318	AA6298R	CERAMIC CAPACITOR (CHIP)	チ ッ プ セ ラ コ ン		065484	

\*: New Parts

RANK: Japan only



## CONTROL and INPUT and REVERB

REF NO.	PART NO.	DESCRIPTION	部 品 名	REMARKS	QTY	RANK
C319	AA6301R	CERAMIC CAPACITOR (CHIP)	22pF 50V	チップセラコン	065483	
C320	AA6272R	CERAMIC CAPACITOR (CHIP)	47pF 50V J	チップセラコン	065490	
C322	AA6299R	ELECTROLYTIC CAP. (CHIP)	10uF 35V	チップケミコン	412428	
C346	AA6272R	CERAMIC CAPACITOR (CHIP)	47pF 50V J	チップセラコン	065490	
C411	AA6300R	CERAMIC CAPACITOR (CHIP)	100pF 50V J	チップセラコン	065473	
C412	AA6395R	MYLAR CAPACITOR	0.039uF 50V J	マイラコン	065104	
C413	AA6272R	CERAMIC CAPACITOR (CHIP)	47pF 50V J	チップセラコン	065490	
C414	AA6336R	ELECTROLYTIC CAP.	10uF 50V	ケミコン	407785	
C415	AA6396R	MYLAR CAPACITOR	820pF 50V J	マイラコン	065144	
C416	AA6300R	CERAMIC CAPACITOR (CHIP)	100pF 50V J	チップセラコン	065473	
C417	AA6336R	ELECTROLYTIC CAP.	10uF 50V	ケミコン	407785	
C446	AA6272R	CERAMIC CAPACITOR (CHIP)	47pF 50V J	チップセラコン	065490	
C501	AA6272R	CERAMIC CAPACITOR (CHIP)	47pF 50V J	チップセラコン	065490	
C502	AA6395R	MYLAR CAPACITOR	0.039uF 50V J	マイラコン	065104	
C503	AA6272R	CERAMIC CAPACITOR (CHIP)	47pF 50V J	チップセラコン	065490	
C504	AA6301R	CERAMIC CAPACITOR (CHIP)	22pF 50V	チップセラコン	065483	
C505	AA6299R	ELECTROLYTIC CAP. (CHIP)	10uF 35V	チップケミコン	412428	
C506	AA6298R	CERAMIC CAPACITOR (CHIP)	220pF 50V J	チップセラコン	065484	
C507	AA6336R	ELECTROLYTIC CAP.	10uF 50V	ケミコン	407785	
C508	AA6396R	MYLAR CAPACITOR	820pF 50V J	マイラコン	065144	
C509	AA6300R	CERAMIC CAPACITOR (CHIP)	100pF 50V J	チップセラコン	065473	
C510	AA6336R	ELECTROLYTIC CAP.	10uF 50V	ケミコン	407785	
C511	AA6272R	CERAMIC CAPACITOR (CHIP)	47pF 50V J	チップセラコン	065490	
C512	AA6336R	ELECTROLYTIC CAP.	10uF 50V	ケミコン	407785	
C513	AA6395R	MYLAR CAPACITOR	0.039uF 50V J	マイラコン	065104	
C514	AA6272R	CERAMIC CAPACITOR (CHIP)	47pF 50V J	チップセラコン	065490	
C515	AA6336R	ELECTROLYTIC CAP.	10uF 50V	ケミコン	407785	
C516	AA6301R	CERAMIC CAPACITOR (CHIP)	22pF 50V	チップセラコン	065483	
C517	AA6300R	CERAMIC CAPACITOR (CHIP)	100pF 50V J	チップセラコン	065473	
C518	AA6298R	CERAMIC CAPACITOR (CHIP)	220pF 50V J	チップセラコン	065484	
C519	AA6396R	MYLAR CAPACITOR	820pF 50V J	マイラコン	065144	
C520	AA6300R	CERAMIC CAPACITOR (CHIP)	100pF 50V J	チップセラコン	065473	
C521	AA6300R	CERAMIC CAPACITOR (CHIP)	100pF 50V J	チップセラコン	065473	
C522	AA6299R	ELECTROLYTIC CAP. (CHIP)	10uF 35V	チップケミコン	412428	
C523	AA6272R	CERAMIC CAPACITOR (CHIP)	47pF 50V J	チップセラコン	065490	
C524	AA6272R	CERAMIC CAPACITOR (CHIP)	47pF 50V J	チップセラコン	065490	
C602	WN832800	ELECTROLYTIC CAP.	10uF 35V	ケミコン	066770	
C603	WN832800	ELECTROLYTIC CAP.	10uF 35V	ケミコン	066770	
C604	AA6271R	CERAMIC CAPACITOR (CHIP)	1uF 10V K	チップセラコン	374406	
C605	AA11160	MYLAR CAPACITOR	0.15uF	マイラコン (W = 6)	064914	
C606	WN831900	MYLAR CAPACITOR	1500pF 50V J	マイラコン	065028	
C607	WP034600	CERAMIC CAPACITOR (CHIP)	0.068uF 25V	チップセラコン	377664	
C608	AA6271R	CERAMIC CAPACITOR (CHIP)	1uF 10V K	チップセラコン	374406	
C609	AA6271R	CERAMIC CAPACITOR (CHIP)	1uF 10V K	チップセラコン	374406	
C610	WP034600	CERAMIC CAPACITOR (CHIP)	0.068uF 25V	チップセラコン	377664	
C611	WN832900	ELECTROLYTIC CAP.	47uF 16V	ケミコン	066820	
C612	WN831900	MYLAR CAPACITOR	1500pF 50V J	マイラコン	065028	
C613	WN832500	MYLAR CAPACITOR	6800pF 50V J	マイラコン	065137	
C614	AA6271R	CERAMIC CAPACITOR (CHIP)	1uF 10V K	チップセラコン	374406	
C615	AA6336R	ELECTROLYTIC CAP.	10uF 50V	ケミコン	407785	
C616	AA6397R	ELECTROLYTIC CAP.	4.7uF 50V	ケミコン	407788	
C617	AA6397R	ELECTROLYTIC CAP.	4.7uF 50V	ケミコン	407788	
C618	AA6272R	CERAMIC CAPACITOR (CHIP)	47pF 50V J	チップセラコン	065490	
C619	AA6298R	CERAMIC CAPACITOR (CHIP)	220pF 50V J	チップセラコン	065484	
C620	WN832500	MYLAR CAPACITOR	6800pF 50V J	マイラコン	065137	
C701	AA6272R	CERAMIC CAPACITOR (CHIP)	47pF 50V J	チップセラコン	065490	
C702	AA6395R	MYLAR CAPACITOR	0.039uF 50V J	マイラコン	065104	
C703	AA6272R	CERAMIC CAPACITOR (CHIP)	47pF 50V J	チップセラコン	065490	
C704	AA6301R	CERAMIC CAPACITOR (CHIP)	22pF 50V	チップセラコン	065483	
C705	AA6299R	ELECTROLYTIC CAP. (CHIP)	10uF 35V	チップケミコン	412428	
C706	AA6298R	CERAMIC CAPACITOR (CHIP)	220pF 50V J	チップセラコン	065484	
C707	AA6336R	ELECTROLYTIC CAP.	10uF 50V	ケミコン	407785	
C708	AA6396R	MYLAR CAPACITOR	820pF 50V J	マイラコン	065144	
C709	AA6300R	CERAMIC CAPACITOR (CHIP)	100pF 50V J	チップセラコン	065473	
C710	AA6336R	ELECTROLYTIC CAP.	10uF 50V	ケミコン	407785	
C711	AA6272R	CERAMIC CAPACITOR (CHIP)	47pF 50V J	チップセラコン	065490	
C712	AA6336R	ELECTROLYTIC CAP.	10uF 50V	ケミコン	407785	
C713	AA6395R	MYLAR CAPACITOR	0.039uF 50V J	マイラコン	065104	
C714	AA6272R	CERAMIC CAPACITOR (CHIP)	47pF 50V J	チップセラコン	065490	
C715	AA6336R	ELECTROLYTIC CAP.	10uF 50V	ケミコン	407785	

\*: New Parts

RANK: Japan only

## CONTROL and INPUT and REVERB

REF NO.	PART NO.	DESCRIPTION		部 品 名	REMARKS	QTY	RANK
C716	AAx6301R	CERAMIC CAPACITOR (CHIP)	22pF 50V	チ ッ プ セ ラ コ ン		065483	
C717	AAx6300R	CERAMIC CAPACITOR (CHIP)	100pF 50V J	チ ッ プ セ ラ コ ン		065473	
C718	AAx6300R	CERAMIC CAPACITOR (CHIP)	100pF 50V J	チ ッ プ セ ラ コ ン		065473	
C719	AAx6396R	MYLAR CAPACITOR	820pF 50V J	マ イ ラ コ ン		065144	
C720	AAx6300R	CERAMIC CAPACITOR (CHIP)	100pF 50V J	チ ッ プ セ ラ コ ン		065473	
C721	AAx6299R	ELECTROLYTIC CAP. (CHIP)	10uF 35V	チ ッ プ ケ ミ コ ン		412428	
C722	AAx6298R	CERAMIC CAPACITOR (CHIP)	220pF 50V J	チ ッ プ セ ラ コ ン		065484	
C723	AAx6272R	CERAMIC CAPACITOR (CHIP)	47pF 50V J	チ ッ プ セ ラ コ ン		065490	
C724	AAx6272R	CERAMIC CAPACITOR (CHIP)	47pF 50V J	チ ッ プ セ ラ コ ン		065490	
C852	AAx6271R	CERAMIC CAPACITOR (CHIP)	1uF 10V K	チ ッ プ セ ラ コ ン		374406	
C854	WP064200	CERAMIC CAPACITOR (CHIP)	4.7uF 25V	チ ッ プ セ ラ コ ン		458416	
C855	AAx6273R	CERAMIC CAPACITOR (CHIP)	0.01uF 50V K	チ ッ プ セ ラ コ ン		368353	
-857	AAx6273R	CERAMIC CAPACITOR (CHIP)	0.01uF 50V K	チ ッ プ セ ラ コ ン		368353	
C859	WP064200	CERAMIC CAPACITOR (CHIP)	4.7uF 25V	チ ッ プ セ ラ コ ン		458416	
C860	AAx6273R	CERAMIC CAPACITOR (CHIP)	0.01uF 50V K	チ ッ プ セ ラ コ ン		368353	
C868	AAx6273R	CERAMIC CAPACITOR (CHIP)	0.01uF 50V K	チ ッ プ セ ラ コ ン		368353	
C869	AAx6273R	CERAMIC CAPACITOR (CHIP)	0.01uF 50V K	チ ッ プ セ ラ コ ン		368353	
C871	AAx6273R	CERAMIC CAPACITOR (CHIP)	0.01uF 50V K	チ ッ プ セ ラ コ ン		368353	
C872	AAx6273R	CERAMIC CAPACITOR (CHIP)	0.01uF 50V K	チ ッ プ セ ラ コ ン		368353	
C877	AAx6273R	CERAMIC CAPACITOR (CHIP)	0.01uF 50V K	チ ッ プ セ ラ コ ン		368353	
C878	AAx6273R	CERAMIC CAPACITOR (CHIP)	0.01uF 50V K	チ ッ プ セ ラ コ ン		368353	
C882	WP064200	CERAMIC CAPACITOR (CHIP)	4.7uF 25V	チ ッ プ セ ラ コ ン		458416	
C884	WP064200	CERAMIC CAPACITOR (CHIP)	4.7uF 25V	チ ッ プ セ ラ コ ン		458416	
C885	AAx6273R	CERAMIC CAPACITOR (CHIP)	0.01uF 50V K	チ ッ プ セ ラ コ ン		368353	
C886	WN832800	ELECTROLYTIC CAP.	10uF 35V	ケ ミ コ ン		066770	
C888	AAx6273R	CERAMIC CAPACITOR (CHIP)	0.01uF 50V K	チ ッ プ セ ラ コ ン		368353	
-892	AAx6273R	CERAMIC CAPACITOR (CHIP)	0.01uF 50V K	チ ッ プ セ ラ コ ン		368353	
C895	AAx6273R	CERAMIC CAPACITOR (CHIP)	0.01uF 50V K	チ ッ プ セ ラ コ ン		368353	
C898	AAx6273R	CERAMIC CAPACITOR (CHIP)	0.01uF 50V K	チ ッ プ セ ラ コ ン		368353	
-900	AAx6273R	CERAMIC CAPACITOR (CHIP)	0.01uF 50V K	チ ッ プ セ ラ コ ン		368353	
C902	AAx6273R	CERAMIC CAPACITOR (CHIP)	0.01uF 50V K	チ ッ プ セ ラ コ ン		368353	
C904	AAx6273R	CERAMIC CAPACITOR (CHIP)	0.01uF 50V K	チ ッ プ セ ラ コ ン		368353	
-906	AAx6273R	CERAMIC CAPACITOR (CHIP)	0.01uF 50V K	チ ッ プ セ ラ コ ン		368353	
C907	AAx6336R	ELECTROLYTIC CAP.	10uF 50V	ケ ミ コ ン		407785	
C908	AAx6273R	CERAMIC CAPACITOR (CHIP)	0.01uF 50V K	チ ッ プ セ ラ コ ン		368353	
C909	AAx6336R	ELECTROLYTIC CAP.	10uF 50V	ケ ミ コ ン		407785	
C910	WP064200	CERAMIC CAPACITOR (CHIP)	4.7uF 25V	チ ッ プ セ ラ コ ン		458416	
-913	WP064200	CERAMIC CAPACITOR (CHIP)	4.7uF 25V	チ ッ プ セ ラ コ ン		458416	
C915	WP064200	CERAMIC CAPACITOR (CHIP)	4.7uF 25V	チ ッ プ セ ラ コ ン		458416	
C916	WP064200	CERAMIC CAPACITOR (CHIP)	4.7uF 25V	チ ッ プ セ ラ コ ン		458416	
C917	AAx6299R	ELECTROLYTIC CAP. (CHIP)	10uF 35V	チ ッ プ ケ ミ コ ン		412428	
C918	AAx6299R	ELECTROLYTIC CAP. (CHIP)	10uF 35V	チ ッ プ ケ ミ コ ン		412428	
C921	AAx6299R	ELECTROLYTIC CAP. (CHIP)	10uF 35V	チ ッ プ ケ ミ コ ン		412428	
C922	WP064200	CERAMIC CAPACITOR (CHIP)	4.7uF 25V	チ ッ プ セ ラ コ ン		458416	
-925	WP064200	CERAMIC CAPACITOR (CHIP)	4.7uF 25V	チ ッ プ セ ラ コ ン		458416	
C931	WP064200	CERAMIC CAPACITOR (CHIP)	4.7uF 25V	チ ッ プ セ ラ コ ン		458416	
C932	WP064200	CERAMIC CAPACITOR (CHIP)	4.7uF 25V	チ ッ プ セ ラ コ ン		458416	
C933	WN832800	ELECTROLYTIC CAP.	10uF 35V	ケ ミ コ ン		066770	
C934	WN832800	ELECTROLYTIC CAP.	10uF 35V	ケ ミ コ ン		066770	
C935	WP064200	CERAMIC CAPACITOR (CHIP)	4.7uF 25V	チ ッ プ セ ラ コ ン		458416	
C936	WP064200	CERAMIC CAPACITOR (CHIP)	4.7uF 25V	チ ッ プ セ ラ コ ン		458416	
C940	AAx6273R	CERAMIC CAPACITOR (CHIP)	0.01uF 50V K	チ ッ プ セ ラ コ ン		368353	
C941	AAx6273R	CERAMIC CAPACITOR (CHIP)	0.01uF 50V K	チ ッ プ セ ラ コ ン		368353	
C942	WP064200	CERAMIC CAPACITOR (CHIP)	4.7uF 25V	チ ッ プ セ ラ コ ン		458416	
C943	WP064200	CERAMIC CAPACITOR (CHIP)	4.7uF 25V	チ ッ プ セ ラ コ ン		458416	
C958	AAx6273R	CERAMIC CAPACITOR (CHIP)	0.01uF 50V K	チ ッ プ セ ラ コ ン		368353	
C959	AAx6273R	CERAMIC CAPACITOR (CHIP)	0.01uF 50V K	チ ッ プ セ ラ コ ン		368353	
CN21	AAx6398R	CONNECTOR BASE POST	10P SHD106-1002A06	コ ネ ク タ 1 0 P		411471	04
CN22	AAx6304R	CONNECTOR BASE POST	10PPHA102-1002A156	コ ネ ク タ 1 0 P		411472	
CN24	WP027200	CONNECTOR BASE POST	9P B9B-EH	コ ネ ク タ 9 P		081549	
CN25	AAx6304R	CONNECTOR BASE POST	10P PHA102-1002A156	コ ネ ク タ 1 0 P		411472	
CN26	AAx6398R	CONNECTOR BASE POST	10P SHD106-1002A06	コ ネ ク タ 1 0 P		411471	04
CN27	WJ593200	CONNECTOR BASE POST	8P 53290-0880 LF	コ ネ ク タ 8 P		433464	03
CN28	WJ593400	CONNECTOR BASE POST	8P 52418-0810 LF	コ ネ ク タ 8 P		438405	03
CN31	WJ593200	CONNECTOR BASE POST	8P 53290-0880 LF	コ ネ ク タ 8 P		433464	03
CN32	WJ593400	CONNECTOR BASE POST	8P 52418-0810 LF	コ ネ ク タ 8 P		438405	03
D101	AAx6400R	LED GREEN	SEL6410E D LF	L E D 緑	REVERB (CH1)	412429	
D102	WJ598200	LED ORANGE	SEL6910A D LF	L E D 橙	CLICK TO PHONES	446160	03
D201	AAx6400R	LED GREEN	SEL6410E D LF	L E D 緑	REVERB (CH2)	412429	
D601	AAx6401R	LED RED	SEL6210R D LF	L E D 赤	LIMITER	411467	

\*: New Parts

RANK: Japan only

## CONTROL and INPUT and REVERB

REF NO.	PART NO.	DESCRIPTION	部 品 名	REMARKS	QTY	RANK
D602	AA6402R	LED YELLOW	SEL6710Y D LF	L E D 黄 +6	411468	
D603	AA6402R	LED YELLOW	SEL6710Y D LF	L E D 黄 +3	411468	
D604	AA6402R	LED YELLOW	SEL6710Y D LF	L E D 黄 0	411468	
D605	AA6403R	LED GREEN	SEL6410G D LF	L E D 緑 -6	411466	
D606	AA6403R	LED GREEN	SEL6410G D LF	L E D 緑 -20	411466	
D607	AA6403R	LED GREEN	SEL6410G D LF	L E D 緑 POWER	411466	
D608	XX698570	DIODE (CHIP)	1SS355 TE-17	ダイオード	069444	
D999	AA6409R	CARBON RESISTOR (CHIP)	0.00 J	チップ抵抗	067491	
IC101	AA6275R	IC (CHIP)	NJM2068M-D TE1	I C	OP AMP	070170
-110	AA6275R	IC (CHIP)	NJM2068M-D TE1	I C	OP AMP	070170
* IC111	X9836A00	IC	NJM4556AM TE1 LF	I C	OP AMP	397599
IC112	AA6275R	IC (CHIP)	NJM2068M-D TE1	I C	OP AMP	070170
IC202	AA6275R	IC (CHIP)	NJM2068M-D TE1	I C	OP AMP	070170
IC301	AA6275R	IC (CHIP)	NJM2068M-D TE1	I C	OP AMP	070170
IC302	AA6275R	IC (CHIP)	NJM2068M-D TE1	I C	OP AMP	070170
IC402	AA6275R	IC (CHIP)	NJM2068M-D TE1	I C	OP AMP	070170
IC501	AA6275R	IC (CHIP)	NJM2068M-D TE1	I C	OP AMP	070170
-503	AA6275R	IC (CHIP)	NJM2068M-D TE1	I C	OP AMP	070170
IC602	AA6276R	IC	M65850FP-CF0T T LF	I C	EFFECT	407811
IC603	AA6275R	IC (CHIP)	NJM2068M-D TE1	I C	OP AMP	070170
IC604	AA6871R	IC	LB1407-E LF	I C	METER DRIVE	407812
IC701	AA6275R	IC (CHIP)	NJM2068M-D TE1	I C	OP AMP	070170
IC702	AA6275R	IC (CHIP)	NJM2068M-D TE1	I C	OP AMP	070170
IC703	AA6275R	IC (CHIP)	NJM2068M-D TE1	I C	OP AMP	070170
JK101	AA6305R	PHONE JACK BLACK	MSJ-064-20A LF	ホンジャック	CH1	407764
JK102	AA6306R	CANNON CONNECTOR	XLR-301J-A LF	キャノンジャック	CH1	407767
JK104	AA6305R	PHONE JACK BLACK	MSJ-064-20A LF	ホンジャック	ST SUB OUT L	407764
JK106	AA6305R	PHONE JACK BLACK	MSJ-064-20A LF	ホンジャック	PHONES	407764
JK107	AA6305R	PHONE JACK BLACK	MSJ-064-20A LF	ホンジャック	ST LINK OUT (R)	407764
JK201	AA6305R	PHONE JACK BLACK	MSJ-064-20A LF	ホンジャック	CH2	407764
JK202	AA6306R	CANNON CONNECTOR	XLR-301J-A LF	キャノンジャック	CH2	407767
JK204	AA6305R	PHONE JACK BLACK	MSJ-064-20A LF	ホンジャック	ST SUB OUT R	407764
JK301	AA6305R	PHONE JACK BLACK	MSJ-064-20A LF	ホンジャック	CH3/4 L	407764
JK302	AA6305R	PHONE JACK BLACK	MSJ-064-20A LF	ホンジャック	CH3/4 R	407764
JK501	AA6305R	PHONE JACK BLACK	MSJ-064-20A LF	ホンジャック	CH5/6 L	407764
JK502	AA6305R	PHONE JACK BLACK	MSJ-064-20A LF	ホンジャック	CH5/6 R	407764
JK701	AA6305R	PHONE JACK BLACK	MSJ-064-20A LF	ホンジャック	CH7/8 L	407764
JK703	AA6307R	RCA JACK NICKEL	2P MSP-532HV1-21LF	RCAジャック 2P	CH7/8 L,R	407765
JK802	AA6305R	PHONE JACK BLACK	MSJ-064-20A LF	ホンジャック	CH7/8 R	407764
L101	WJ594200	COIL	MMZ1608A152ET T LF	コイル		436042
L102	WJ594200	COIL	MMZ1608A152ET T LF	コイル		436042
L112	WJ594200	COIL	MMZ1608A152ET T LF	コイル		436042
L113	WJ594200	COIL	MMZ1608A152ET T LF	コイル		436042
L201	WJ594200	COIL	MMZ1608A152ET T LF	コイル		436042
L202	WJ594200	COIL	MMZ1608A152ET T LF	コイル		436042
L212	WJ594200	COIL	MMZ1608A152ET T LF	コイル		436042
L213	WJ594200	COIL	MMZ1608A152ET T LF	コイル		436042
L301	WJ594200	COIL	MMZ1608A152ET T LF	コイル		436042
L302	WJ594200	COIL	MMZ1608A152ET T LF	コイル		436042
L312	WJ594200	COIL	MMZ1608A152ET T LF	コイル		436042
L313	WJ594200	COIL	MMZ1608A152ET T LF	コイル		436042
L412	WJ594200	COIL	MMZ1608A152ET T LF	コイル		436042
L413	WJ594200	COIL	MMZ1608A152ET T LF	コイル		436042
L501	WJ594200	COIL	MMZ1608A152ET T LF	コイル		436042
L502	WJ594200	COIL	MMZ1608A152ET T LF	コイル		436042
L701	WJ594200	COIL	MMZ1608A152ET T LF	コイル		436042
L702	WJ594200	COIL	MMZ1608A152ET T LF	コイル		436042
Q105	AA6277R	TRANSISTOR (CHIP)	KRA102S-RTK/P T LF	トランジスタ		402267
Q106	AA645980	TRANSISTOR (CHIP)	2SC2412K QRS T146	トランジスタ		068775
Q108	AA6404R	FET	2SK246 BL (-F)	F E T		407813
* Q301	WP916200	TRANSISTOR	DTC614TK T146 T LF	トランジスタ		477830
* -303	WP916200	TRANSISTOR	DTC614TK T146 T LF	トランジスタ		477830
* Q313	WP916200	TRANSISTOR	DTC614TK T146 T LF	トランジスタ		477830
* -316	WP916200	TRANSISTOR	DTC614TK T146 T LF	トランジスタ		477830
Q601	AA645980	TRANSISTOR (CHIP)	2SC2412K QRS T146	トランジスタ		068775
R101	AA6310R	CARBON RESISTOR (CHIP)	1.8K J	チップ抵抗		067514
R102	AA6311R	CARBON RESISTOR (CHIP)	3.3K J	チップ抵抗		067531
R103	AA6312R	CARBON RESISTOR (CHIP)	1M J	チップ抵抗		067500
R105	AA6310R	CARBON RESISTOR (CHIP)	1.8K J	チップ抵抗		067514
R106	AA6313R	CARBON RESISTOR (CHIP)	3.9K J	チップ抵抗		067539

\*: New Parts

RANK: Japan only

## CONTROL and INPUT and REVERB

REF NO.	PART NO.	DESCRIPTION		部	品	名	REMARKS	QTY	RANK					
R107	AA6313R	CARBON RESISTOR (CHIP)	3.9K J	チ	ッ	ブ	抵抗	067539						
R108	AA6314R	CARBON RESISTOR (CHIP)	220K J	チ	ッ	ブ	抵抗	067521						
R109	AA6388R	CARBON RESISTOR (CHIP)	4.7K J	チ	ッ	ブ	抵抗	067545						
R110	AA6288R	CARBON RESISTOR (CHIP)	10K J	チ	ッ	ブ	抵抗	067497	03					
R110A	AA6315R	CARBON RESISTOR (CHIP)	10 J	チ	ッ	ブ	抵抗	067492	01					
R111	AA6288R	CARBON RESISTOR (CHIP)	10K J	チ	ッ	ブ	抵抗	067497	03					
R112	AA6388R	CARBON RESISTOR (CHIP)	4.7K J	チ	ッ	ブ	抵抗	067545						
R112A	AA6314R	CARBON RESISTOR (CHIP)	220K J	チ	ッ	ブ	抵抗	067521						
R113	AA6288R	CARBON RESISTOR (CHIP)	10K J	チ	ッ	ブ	抵抗	067497	03					
R114	AA6316R	CARBON RESISTOR (CHIP)	120K J	チ	ッ	ブ	抵抗	067505						
R115	AA6288R	CARBON RESISTOR (CHIP)	10K J	チ	ッ	ブ	抵抗	067497	03					
R115A	AA6315R	CARBON RESISTOR (CHIP)	10 J	チ	ッ	ブ	抵抗	067492	01					
R116	WP130300	METAL OXIDE FILM RESISTOR	100 1W	酸	化	金	属	増	皮	膜	抵	抗	423582	
R117A	AA6312R	CARBON RESISTOR (CHIP)	1M J	チ	ッ	ブ	抵抗	067500						
R118	AA6292R	CARBON RESISTOR (CHIP)	100K J	チ	ッ	ブ	抵抗	067499						
R118A	AA6311R	CARBON RESISTOR (CHIP)	3.3K J	チ	ッ	ブ	抵抗	067531						
R119	AA6292R	CARBON RESISTOR (CHIP)	100K J	チ	ッ	ブ	抵抗	067499						
R119A	AA6316R	CARBON RESISTOR (CHIP)	120K J	チ	ッ	ブ	抵抗	067505						
R120	AA6316R	CARBON RESISTOR (CHIP)	120K J	チ	ッ	ブ	抵抗	067505						
R121	AA6281R	CARBON RESISTOR (CHIP)	1K J	チ	ッ	ブ	抵抗	067495						
R123	AA6409R	CARBON RESISTOR (CHIP)	0.00 J	チ	ッ	ブ	抵抗	067491						
R124	AA6288R	CARBON RESISTOR (CHIP)	10K J	チ	ッ	ブ	抵抗	067497	03					
R125	AA6288R	CARBON RESISTOR (CHIP)	10K J	チ	ッ	ブ	抵抗	067497	03					
R126	AA6278R	CARBON RESISTOR (CHIP)	33K J	チ	ッ	ブ	抵抗	067532						
R127	AA6288R	CARBON RESISTOR (CHIP)	10K J	チ	ッ	ブ	抵抗	067497	03					
R128	AA6281R	CARBON RESISTOR (CHIP)	1K J	チ	ッ	ブ	抵抗	067495						
R129	AA6288R	CARBON RESISTOR (CHIP)	10K J	チ	ッ	ブ	抵抗	067497	03					
R130	AA6388R	CARBON RESISTOR (CHIP)	4.7K J	チ	ッ	ブ	抵抗	067545						
R131	AA6287R	CARBON RESISTOR (CHIP)	5.6K J	チ	ッ	ブ	抵抗	067553						
R132	AA6288R	CARBON RESISTOR (CHIP)	10K J	チ	ッ	ブ	抵抗	067497	03					
R133	AA6313R	CARBON RESISTOR (CHIP)	3.9K J	チ	ッ	ブ	抵抗	067539						
R134	AA6280R	CARBON RESISTOR (CHIP)	47K J	チ	ッ	ブ	抵抗	067546						
R135	AA6405R	CARBON RESISTOR (CHIP)	330 J	チ	ッ	ブ	抵抗	067530						
R136	AA6382R	CARBON RESISTOR (CHIP)	56K J	チ	ッ	ブ	抵抗	067554						
R137	AA6288R	CARBON RESISTOR (CHIP)	10K J	チ	ッ	ブ	抵抗	067497	03					
R138	AA6281R	CARBON RESISTOR (CHIP)	1K J	チ	ッ	ブ	抵抗	067495						
R139	AA6288R	CARBON RESISTOR (CHIP)	10K J	チ	ッ	ブ	抵抗	067497	03					
R140	AA6279R	CARBON RESISTOR (CHIP)	1.5K J	チ	ッ	ブ	抵抗	067508						
R141	AA6286R	CARBON RESISTOR (CHIP)	150K J	チ	ッ	ブ	抵抗	067511						
R142	AA6405R	CARBON RESISTOR (CHIP)	330 J	チ	ッ	ブ	抵抗	067530						
R143	AA6388R	CARBON RESISTOR (CHIP)	4.7K J	チ	ッ	ブ	抵抗	067545						
R144	AA6280R	CARBON RESISTOR (CHIP)	47K J	チ	ッ	ブ	抵抗	067546						
R145	AA6281R	CARBON RESISTOR (CHIP)	1K J	チ	ッ	ブ	抵抗	067495						
R146	AA6282R	CARBON RESISTOR (CHIP)	270K J	チ	ッ	ブ	抵抗	067528						
R147	AA6409R	CARBON RESISTOR (CHIP)	0.00 J	チ	ッ	ブ	抵抗	067491						
R148	AA6278R	CARBON RESISTOR (CHIP)	33K J	チ	ッ	ブ	抵抗	067532						
R149	AA6287R	CARBON RESISTOR (CHIP)	5.6K J	チ	ッ	ブ	抵抗	067553						
R150	AA6284R	CARBON RESISTOR (CHIP)	68K J	チ	ッ	ブ	抵抗	067559						
R151	AA6281R	CARBON RESISTOR (CHIP)	1K J	チ	ッ	ブ	抵抗	067495						
R152	AA6285R	CARBON RESISTOR (CHIP)	2.2K J	チ	ッ	ブ	抵抗	067519						
R154	AA6281R	CARBON RESISTOR (CHIP)	1K J	チ	ッ	ブ	抵抗	067495						
R155	AA6286R	CARBON RESISTOR (CHIP)	150K J	チ	ッ	ブ	抵抗	067511						
R156	AA6288R	CARBON RESISTOR (CHIP)	10K J	チ	ッ	ブ	抵抗	067497	03					
R157	AA6406R	CARBON RESISTOR (CHIP)	27K J	チ	ッ	ブ	抵抗	067527						
R158	AA6382R	CARBON RESISTOR (CHIP)	56K J	チ	ッ	ブ	抵抗	067554						
R159	AA6388R	CARBON RESISTOR (CHIP)	4.7K J	チ	ッ	ブ	抵抗	067545						
R160	AA6382R	CARBON RESISTOR (CHIP)	56K J	チ	ッ	ブ	抵抗	067554						
R161	AA6291R	CARBON RESISTOR (CHIP)	15K J	チ	ッ	ブ	抵抗	067509						
R162	AA6388R	CARBON RESISTOR (CHIP)	4.7K J	チ	ッ	ブ	抵抗	067545						
R163	AA6291R	CARBON RESISTOR (CHIP)	15K J	チ	ッ	ブ	抵抗	067509						
R164	AA6288R	CARBON RESISTOR (CHIP)	10K J	チ	ッ	ブ	抵抗	067497	03					
R165	AA6379R	CARBON RESISTOR (CHIP)	22K J	チ	ッ	ブ	抵抗	067520						
R166	AA6288R	CARBON RESISTOR (CHIP)	10K J	チ	ッ	ブ	抵抗	067497	03					
R167	AA6407R	CARBON RESISTOR (CHIP)	12K J	チ	ッ	ブ	抵抗	067504						
R168	AA6280R	CARBON RESISTOR (CHIP)	47K J	チ	ッ	ブ	抵抗	067546						
R169	AA6291R	CARBON RESISTOR (CHIP)	15K J	チ	ッ	ブ	抵抗	067509						
R170	AA6288R	CARBON RESISTOR (CHIP)	10K J	チ	ッ	ブ	抵抗	067497	03					
R171	AA6292R	CARBON RESISTOR (CHIP)	100K J	チ	ッ	ブ	抵抗	067499						
R172	AA6281R	CARBON RESISTOR (CHIP)	1K J	チ	ッ	ブ	抵抗	067495						
R173	AA6281R	CARBON RESISTOR (CHIP)	1K J	チ	ッ	ブ	抵抗	067495						

\*: New Parts

RANK: Japan only

**CONTROL and INPUT and REVERB**

REF NO.	PART NO.	DESCRIPTION	部	品	名	REMARKS	QTY	RANK						
R174	AA6288R	CARBON RESISTOR (CHIP)	10K J	チ	ッ	ブ	抵抗	067497	03					
R175	AA6288R	CARBON RESISTOR (CHIP)	10K J	チ	ッ	ブ	抵抗	067497	03					
R176	AA6388R	CARBON RESISTOR (CHIP)	4.7K J	チ	ッ	ブ	抵抗	067545						
R180	AA6379R	CARBON RESISTOR (CHIP)	22K J	チ	ッ	ブ	抵抗	067520						
R181	AA6388R	CARBON RESISTOR (CHIP)	4.7K J	チ	ッ	ブ	抵抗	067545						
R182	AA6382R	CARBON RESISTOR (CHIP)	56K J	チ	ッ	ブ	抵抗	067554						
R183	AA6292R	CARBON RESISTOR (CHIP)	100K J	チ	ッ	ブ	抵抗	067499						
R184	AA6287R	CARBON RESISTOR (CHIP)	5.6K J	チ	ッ	ブ	抵抗	067553						
R196	AA6286R	CARBON RESISTOR (CHIP)	150K J	チ	ッ	ブ	抵抗	067511						
R201	AA6310R	CARBON RESISTOR (CHIP)	1.8K J	チ	ッ	ブ	抵抗	067514						
R202	AA6311R	CARBON RESISTOR (CHIP)	3.3K J	チ	ッ	ブ	抵抗	067531						
R203	AA6312R	CARBON RESISTOR (CHIP)	1M J	チ	ッ	ブ	抵抗	067500						
R205	AA6310R	CARBON RESISTOR (CHIP)	1.8K J	チ	ッ	ブ	抵抗	067514						
R206	AA6313R	CARBON RESISTOR (CHIP)	3.9K J	チ	ッ	ブ	抵抗	067539						
R207	AA6313R	CARBON RESISTOR (CHIP)	3.9K J	チ	ッ	ブ	抵抗	067539						
R208	AA6314R	CARBON RESISTOR (CHIP)	220K J	チ	ッ	ブ	抵抗	067521						
R209	AA6388R	CARBON RESISTOR (CHIP)	4.7K J	チ	ッ	ブ	抵抗	067545						
R210	AA6288R	CARBON RESISTOR (CHIP)	10K J	チ	ッ	ブ	抵抗	067497	03					
R210A	AA6315R	CARBON RESISTOR (CHIP)	10 J	チ	ッ	ブ	抵抗	067492	01					
R211	AA6288R	CARBON RESISTOR (CHIP)	10K J	チ	ッ	ブ	抵抗	067497	03					
R212	AA6388R	CARBON RESISTOR (CHIP)	4.7K J	チ	ッ	ブ	抵抗	067545						
R212A	AA6314R	CARBON RESISTOR (CHIP)	220K J	チ	ッ	ブ	抵抗	067521						
R213	AA6288R	CARBON RESISTOR (CHIP)	10K J	チ	ッ	ブ	抵抗	067497	03					
R214	AA6316R	CARBON RESISTOR (CHIP)	120K J	チ	ッ	ブ	抵抗	067505						
R215	AA6288R	CARBON RESISTOR (CHIP)	10K J	チ	ッ	ブ	抵抗	067497	03					
R215A	AA6315R	CARBON RESISTOR (CHIP)	10 J	チ	ッ	ブ	抵抗	067492	01					
R216	WP130300	METAL OXIDE FILM RESISTOR	100 1W	酸	化	金	属	増	皮	膜	抵	抗	067497	
R217A	AA6312R	CARBON RESISTOR (CHIP)	1M J	チ	ッ	ブ	抵抗	067500						
R218	AA6292R	CARBON RESISTOR (CHIP)	100K J	チ	ッ	ブ	抵抗	067499						
R218A	AA6311R	CARBON RESISTOR (CHIP)	3.3K J	チ	ッ	ブ	抵抗	067531						
R219	AA6292R	CARBON RESISTOR (CHIP)	100K J	チ	ッ	ブ	抵抗	067499						
R219A	AA6316R	CARBON RESISTOR (CHIP)	120K J	チ	ッ	ブ	抵抗	067505						
R220	AA6316R	CARBON RESISTOR (CHIP)	120K J	チ	ッ	ブ	抵抗	067505						
R221	AA6281R	CARBON RESISTOR (CHIP)	1K J	チ	ッ	ブ	抵抗	067495						
R222	AA6281R	CARBON RESISTOR (CHIP)	1K J	チ	ッ	ブ	抵抗	067495						
R223	AA6409R	CARBON RESISTOR (CHIP)	0.00 J	チ	ッ	ブ	抵抗	067491						
R224	AA6288R	CARBON RESISTOR (CHIP)	10K J	チ	ッ	ブ	抵抗	067497	03					
R225	AA6288R	CARBON RESISTOR (CHIP)	10K J	チ	ッ	ブ	抵抗	067497	03					
R226	AA6278R	CARBON RESISTOR (CHIP)	33K J	チ	ッ	ブ	抵抗	067532						
R227	AA6288R	CARBON RESISTOR (CHIP)	10K J	チ	ッ	ブ	抵抗	067497	03					
R228	AA6281R	CARBON RESISTOR (CHIP)	1K J	チ	ッ	ブ	抵抗	067495						
R229	AA6288R	CARBON RESISTOR (CHIP)	10K J	チ	ッ	ブ	抵抗	067497	03					
R230	AA6388R	CARBON RESISTOR (CHIP)	4.7K J	チ	ッ	ブ	抵抗	067545						
R231	AA6287R	CARBON RESISTOR (CHIP)	5.6K J	チ	ッ	ブ	抵抗	067553						
R232	AA6288R	CARBON RESISTOR (CHIP)	10K J	チ	ッ	ブ	抵抗	067497	03					
R233	AA6313R	CARBON RESISTOR (CHIP)	3.9K J	チ	ッ	ブ	抵抗	067539						
R234	AA6280R	CARBON RESISTOR (CHIP)	47K J	チ	ッ	ブ	抵抗	067546						
R235	AA6405R	CARBON RESISTOR (CHIP)	330 J	チ	ッ	ブ	抵抗	067530						
R236	AA6382R	CARBON RESISTOR (CHIP)	56K J	チ	ッ	ブ	抵抗	067554						
R237	AA6288R	CARBON RESISTOR (CHIP)	10K J	チ	ッ	ブ	抵抗	067497	03					
R239	AA6288R	CARBON RESISTOR (CHIP)	10K J	チ	ッ	ブ	抵抗	067497	03					
R243	AA6388R	CARBON RESISTOR (CHIP)	4.7K J	チ	ッ	ブ	抵抗	067545						
R251	AA6281R	CARBON RESISTOR (CHIP)	1K J	チ	ッ	ブ	抵抗	067495						
R256	AA6288R	CARBON RESISTOR (CHIP)	10K J	チ	ッ	ブ	抵抗	067497	03					
R257	AA6406R	CARBON RESISTOR (CHIP)	27K J	チ	ッ	ブ	抵抗	067527						
R262	AA6388R	CARBON RESISTOR (CHIP)	4.7K J	チ	ッ	ブ	抵抗	067545						
R263	AA6291R	CARBON RESISTOR (CHIP)	15K J	チ	ッ	ブ	抵抗	067509						
R264	AA6288R	CARBON RESISTOR (CHIP)	10K J	チ	ッ	ブ	抵抗	067497	03					
R265	AA6379R	CARBON RESISTOR (CHIP)	22K J	チ	ッ	ブ	抵抗	067520						
R266	AA6288R	CARBON RESISTOR (CHIP)	10K J	チ	ッ	ブ	抵抗	067497	03					
R267	AA6407R	CARBON RESISTOR (CHIP)	12K J	チ	ッ	ブ	抵抗	067504						
R268	AA6280R	CARBON RESISTOR (CHIP)	47K J	チ	ッ	ブ	抵抗	067546						
R269	AA6291R	CARBON RESISTOR (CHIP)	15K J	チ	ッ	ブ	抵抗	067509						
R270	AA6288R	CARBON RESISTOR (CHIP)	10K J	チ	ッ	ブ	抵抗	067497	03					
R271	AA6292R	CARBON RESISTOR (CHIP)	100K J	チ	ッ	ブ	抵抗	067499						
R272	AA6281R	CARBON RESISTOR (CHIP)	1K J	チ	ッ	ブ	抵抗	067495						
R274	AA6288R	CARBON RESISTOR (CHIP)	10K J	チ	ッ	ブ	抵抗	067497	03					
R275	AA6288R	CARBON RESISTOR (CHIP)	10K J	チ	ッ	ブ	抵抗	067497	03					
R276	AA6388R	CARBON RESISTOR (CHIP)	4.7K J	チ	ッ	ブ	抵抗	067545						
R280	AA6379R	CARBON RESISTOR (CHIP)	22K J	チ	ッ	ブ	抵抗	067520						

\*: New Parts

RANK: Japan only

**CONTROL and INPUT and REVERB**

REF NO.	PART NO.	DESCRIPTION		部	品	名	REMARKS	QTY	RANK
R281	AA6388R	CARBON RESISTOR (CHIP)	4.7K J	チ	ッ	ブ	抵抗	067545	
R282	AA6382R	CARBON RESISTOR (CHIP)	56K J	チ	ッ	ブ	抵抗	067554	
R304	AA6292R	CARBON RESISTOR (CHIP)	100K J	チ	ッ	ブ	抵抗	067499	
R305	AA6287R	CARBON RESISTOR (CHIP)	5.6K J	チ	ッ	ブ	抵抗	067553	
R306	AA6280R	CARBON RESISTOR (CHIP)	47K J	チ	ッ	ブ	抵抗	067546	
R307	AA6388R	CARBON RESISTOR (CHIP)	4.7K J	チ	ッ	ブ	抵抗	067545	
R308	AA6281R	CARBON RESISTOR (CHIP)	1K J	チ	ッ	ブ	抵抗	067495	
R317	AA6292R	CARBON RESISTOR (CHIP)	100K J	チ	ッ	ブ	抵抗	067499	
R318	AA6280R	CARBON RESISTOR (CHIP)	47K J	チ	ッ	ブ	抵抗	067546	
R319	AA6287R	CARBON RESISTOR (CHIP)	5.6K J	チ	ッ	ブ	抵抗	067553	
R320	AA6388R	CARBON RESISTOR (CHIP)	4.7K J	チ	ッ	ブ	抵抗	067545	
R321	AA6281R	CARBON RESISTOR (CHIP)	1K J	チ	ッ	ブ	抵抗	067495	
R324	AA6288R	CARBON RESISTOR (CHIP)	10K J	チ	ッ	ブ	抵抗	067497	03
R325	AA6288R	CARBON RESISTOR (CHIP)	10K J	チ	ッ	ブ	抵抗	067497	03
R326	AA6278R	CARBON RESISTOR (CHIP)	33K J	チ	ッ	ブ	抵抗	067532	
R327	AA6288R	CARBON RESISTOR (CHIP)	10K J	チ	ッ	ブ	抵抗	067497	03
R329	AA6288R	CARBON RESISTOR (CHIP)	10K J	チ	ッ	ブ	抵抗	067497	03
R330	AA6388R	CARBON RESISTOR (CHIP)	4.7K J	チ	ッ	ブ	抵抗	067545	
R331	AA6287R	CARBON RESISTOR (CHIP)	5.6K J	チ	ッ	ブ	抵抗	067553	
R332	AA6288R	CARBON RESISTOR (CHIP)	10K J	チ	ッ	ブ	抵抗	067497	03
R333	AA6313R	CARBON RESISTOR (CHIP)	3.9K J	チ	ッ	ブ	抵抗	067539	
R334	AA6280R	CARBON RESISTOR (CHIP)	47K J	チ	ッ	ブ	抵抗	067546	
R371	AA6409R	CARBON RESISTOR (CHIP)	0.00 J	チ	ッ	ブ	抵抗	067491	
R372	AA6281R	CARBON RESISTOR (CHIP)	1K J	チ	ッ	ブ	抵抗	067495	
R425	AA6288R	CARBON RESISTOR (CHIP)	10K J	チ	ッ	ブ	抵抗	067497	03
R426	AA6278R	CARBON RESISTOR (CHIP)	33K J	チ	ッ	ブ	抵抗	067532	
R427	AA6288R	CARBON RESISTOR (CHIP)	10K J	チ	ッ	ブ	抵抗	067497	03
R430	AA6388R	CARBON RESISTOR (CHIP)	4.7K J	チ	ッ	ブ	抵抗	067545	
R431	AA6287R	CARBON RESISTOR (CHIP)	5.6K J	チ	ッ	ブ	抵抗	067553	
R432	AA6288R	CARBON RESISTOR (CHIP)	10K J	チ	ッ	ブ	抵抗	067497	03
R433	AA6313R	CARBON RESISTOR (CHIP)	3.9K J	チ	ッ	ブ	抵抗	067539	
R434	AA6280R	CARBON RESISTOR (CHIP)	47K J	チ	ッ	ブ	抵抗	067546	
R501	AA6288R	CARBON RESISTOR (CHIP)	10K J	チ	ッ	ブ	抵抗	067497	03
R502	AA6278R	CARBON RESISTOR (CHIP)	33K J	チ	ッ	ブ	抵抗	067532	
R503	AA6288R	CARBON RESISTOR (CHIP)	10K J	チ	ッ	ブ	抵抗	067497	03
R504	AA6292R	CARBON RESISTOR (CHIP)	100K J	チ	ッ	ブ	抵抗	067499	
R505	AA6280R	CARBON RESISTOR (CHIP)	47K J	チ	ッ	ブ	抵抗	067546	
R506	AA6287R	CARBON RESISTOR (CHIP)	5.6K J	チ	ッ	ブ	抵抗	067553	
R507	AA6388R	CARBON RESISTOR (CHIP)	4.7K J	チ	ッ	ブ	抵抗	067545	
R508	AA6281R	CARBON RESISTOR (CHIP)	1K J	チ	ッ	ブ	抵抗	067495	
R509	AA6388R	CARBON RESISTOR (CHIP)	4.7K J	チ	ッ	ブ	抵抗	067545	
R510	AA6287R	CARBON RESISTOR (CHIP)	5.6K J	チ	ッ	ブ	抵抗	067553	
R511	AA6288R	CARBON RESISTOR (CHIP)	10K J	チ	ッ	ブ	抵抗	067497	03
R512	AA6313R	CARBON RESISTOR (CHIP)	3.9K J	チ	ッ	ブ	抵抗	067539	
R513	AA6280R	CARBON RESISTOR (CHIP)	47K J	チ	ッ	ブ	抵抗	067546	
R514	AA6288R	CARBON RESISTOR (CHIP)	10K J	チ	ッ	ブ	抵抗	067497	03
R515	AA6278R	CARBON RESISTOR (CHIP)	33K J	チ	ッ	ブ	抵抗	067532	
R516	AA6288R	CARBON RESISTOR (CHIP)	10K J	チ	ッ	ブ	抵抗	067497	03
R517	AA6292R	CARBON RESISTOR (CHIP)	100K J	チ	ッ	ブ	抵抗	067499	
R518	AA6280R	CARBON RESISTOR (CHIP)	47K J	チ	ッ	ブ	抵抗	067546	
R519	AA6287R	CARBON RESISTOR (CHIP)	5.6K J	チ	ッ	ブ	抵抗	067553	
R520	AA6388R	CARBON RESISTOR (CHIP)	4.7K J	チ	ッ	ブ	抵抗	067545	
R521	AA6281R	CARBON RESISTOR (CHIP)	1K J	チ	ッ	ブ	抵抗	067495	
R522	AA6388R	CARBON RESISTOR (CHIP)	4.7K J	チ	ッ	ブ	抵抗	067545	
R523	AA6287R	CARBON RESISTOR (CHIP)	5.6K J	チ	ッ	ブ	抵抗	067553	
R524	AA6288R	CARBON RESISTOR (CHIP)	10K J	チ	ッ	ブ	抵抗	067497	03
R525	AA6313R	CARBON RESISTOR (CHIP)	3.9K J	チ	ッ	ブ	抵抗	067539	
R526	AA6280R	CARBON RESISTOR (CHIP)	47K J	チ	ッ	ブ	抵抗	067546	
R527	AA6288R	CARBON RESISTOR (CHIP)	10K J	チ	ッ	ブ	抵抗	067497	03
R528	AA6288R	CARBON RESISTOR (CHIP)	10K J	チ	ッ	ブ	抵抗	067497	03
R601	AA6287R	CARBON RESISTOR (CHIP)	5.6K J	チ	ッ	ブ	抵抗	067553	
* R602	WP899200	CARBON RESISTOR (CHIP)	39K J	チ	ッ	ブ	抵抗	067540	
R607	AA6287R	CARBON RESISTOR (CHIP)	5.6K J	チ	ッ	ブ	抵抗	067553	
R610	AA6290R	CARBON RESISTOR (CHIP)	470 J	チ	ッ	ブ	抵抗	067544	
R611	AA6290R	CARBON RESISTOR (CHIP)	470 J	チ	ッ	ブ	抵抗	067544	
R612	AA6408R	CARBON RESISTOR (CHIP)	680 J	チ	ッ	ブ	抵抗	067557	
R613	AA6291R	CARBON RESISTOR (CHIP)	15K J	チ	ッ	ブ	抵抗	067509	
R614	AA6291R	CARBON RESISTOR (CHIP)	15K J	チ	ッ	ブ	抵抗	067509	
R615	AA6291R	CARBON RESISTOR (CHIP)	15K J	チ	ッ	ブ	抵抗	067509	
R616	AA6292R	CARBON RESISTOR (CHIP)	100K J	チ	ッ	ブ	抵抗	067499	

\*: New Parts

RANK: Japan only

## CONTROL and INPUT and REVERB

REF NO.	PART NO.	DESCRIPTION	部	品	名	REMARKS	QTY	RANK	
R617	AA6291R	CARBON RESISTOR (CHIP)	15K J	チ	ツ	ブ	抵抗	067509	
R618	AA6291R	CARBON RESISTOR (CHIP)	15K J	チ	ツ	ブ	抵抗	067509	
R619	AA6291R	CARBON RESISTOR (CHIP)	15K J	チ	ツ	ブ	抵抗	067509	
R620	AA6280R	CARBON RESISTOR (CHIP)	47K J	チ	ツ	ブ	抵抗	067546	
R621	AA6288R	CARBON RESISTOR (CHIP)	10K J	チ	ツ	ブ	抵抗	067497	03
R622	AA6288R	CARBON RESISTOR (CHIP)	10K J	チ	ツ	ブ	抵抗	067497	03
R623	AA6288R	CARBON RESISTOR (CHIP)	10K J	チ	ツ	ブ	抵抗	067497	03
R625	AA6388R	CARBON RESISTOR (CHIP)	4.7K J	チ	ツ	ブ	抵抗	067545	
R626	AA6281R	CARBON RESISTOR (CHIP)	1K J	チ	ツ	ブ	抵抗	067495	
R629	AA6288R	CARBON RESISTOR (CHIP)	10K J	チ	ツ	ブ	抵抗	067497	03
R630	AA6288R	CARBON RESISTOR (CHIP)	10K J	チ	ツ	ブ	抵抗	067497	03
R632	AA6291R	CARBON RESISTOR (CHIP)	15K J	チ	ツ	ブ	抵抗	067509	
R633	AA6316R	CARBON RESISTOR (CHIP)	120K J	チ	ツ	ブ	抵抗	067505	
R634	AA6281R	CARBON RESISTOR (CHIP)	1K J	チ	ツ	ブ	抵抗	067495	
-636	AA6281R	CARBON RESISTOR (CHIP)	1K J	チ	ツ	ブ	抵抗	067495	
R637	AA6281R	CARBON RESISTOR (CHIP)	1K J	チ	ツ	ブ	抵抗	067495	
R638	AA6288R	CARBON RESISTOR (CHIP)	10K J	チ	ツ	ブ	抵抗	067497	03
R701	AA6288R	CARBON RESISTOR (CHIP)	10K J	チ	ツ	ブ	抵抗	067497	03
R702	AA6278R	CARBON RESISTOR (CHIP)	33K J	チ	ツ	ブ	抵抗	067532	
R703	AA6288R	CARBON RESISTOR (CHIP)	10K J	チ	ツ	ブ	抵抗	067497	03
R704	AA6292R	CARBON RESISTOR (CHIP)	100K J	チ	ツ	ブ	抵抗	067499	
R705	AA6280R	CARBON RESISTOR (CHIP)	47K J	チ	ツ	ブ	抵抗	067546	
R706	AA6287R	CARBON RESISTOR (CHIP)	5.6K J	チ	ツ	ブ	抵抗	067553	
R707	AA6388R	CARBON RESISTOR (CHIP)	4.7K J	チ	ツ	ブ	抵抗	067545	
R708	AA6281R	CARBON RESISTOR (CHIP)	1K J	チ	ツ	ブ	抵抗	067495	
R709	AA6388R	CARBON RESISTOR (CHIP)	4.7K J	チ	ツ	ブ	抵抗	067545	
R710	AA6287R	CARBON RESISTOR (CHIP)	5.6K J	チ	ツ	ブ	抵抗	067553	
R711	AA6288R	CARBON RESISTOR (CHIP)	10K J	チ	ツ	ブ	抵抗	067497	03
R712	AA6313R	CARBON RESISTOR (CHIP)	3.9K J	チ	ツ	ブ	抵抗	067539	
R713	AA6280R	CARBON RESISTOR (CHIP)	47K J	チ	ツ	ブ	抵抗	067546	
R714	AA6288R	CARBON RESISTOR (CHIP)	10K J	チ	ツ	ブ	抵抗	067497	03
R715	AA6278R	CARBON RESISTOR (CHIP)	33K J	チ	ツ	ブ	抵抗	067532	
R716	AA6288R	CARBON RESISTOR (CHIP)	10K J	チ	ツ	ブ	抵抗	067497	03
R717	AA6292R	CARBON RESISTOR (CHIP)	100K J	チ	ツ	ブ	抵抗	067499	
R718	AA6280R	CARBON RESISTOR (CHIP)	47K J	チ	ツ	ブ	抵抗	067546	
R719	AA6287R	CARBON RESISTOR (CHIP)	5.6K J	チ	ツ	ブ	抵抗	067553	
R720	AA6388R	CARBON RESISTOR (CHIP)	4.7K J	チ	ツ	ブ	抵抗	067545	
R721	AA6281R	CARBON RESISTOR (CHIP)	1K J	チ	ツ	ブ	抵抗	067495	
R722	AA6388R	CARBON RESISTOR (CHIP)	4.7K J	チ	ツ	ブ	抵抗	067545	
R723	AA6287R	CARBON RESISTOR (CHIP)	5.6K J	チ	ツ	ブ	抵抗	067553	
R724	AA6288R	CARBON RESISTOR (CHIP)	10K J	チ	ツ	ブ	抵抗	067497	03
R725	AA6313R	CARBON RESISTOR (CHIP)	3.9K J	チ	ツ	ブ	抵抗	067539	
R726	AA6280R	CARBON RESISTOR (CHIP)	47K J	チ	ツ	ブ	抵抗	067546	
R727	AA6288R	CARBON RESISTOR (CHIP)	10K J	チ	ツ	ブ	抵抗	067497	03
R728	AA6288R	CARBON RESISTOR (CHIP)	10K J	チ	ツ	ブ	抵抗	067497	03
R849	AA6312R	CARBON RESISTOR (CHIP)	1M J	チ	ツ	ブ	抵抗	067500	
R858	AA6379R	CARBON RESISTOR (CHIP)	22K J	チ	ツ	ブ	抵抗	067520	
R880	AA6409R	CARBON RESISTOR (CHIP)	0.00 J	チ	ツ	ブ	抵抗	067491	
R883	AA6281R	CARBON RESISTOR (CHIP)	1K J	チ	ツ	ブ	抵抗	067495	
-887	AA6281R	CARBON RESISTOR (CHIP)	1K J	チ	ツ	ブ	抵抗	067495	
R891	AA6410R	CARBON RESISTOR (CHIP)	1.2K J	チ	ツ	ブ	抵抗	067503	
S101	AA6318R	PUSH SWITCH	PS-22E85-L5.2 LF	プ	ッ	シュ	スイッチ	407770	03
S102	AA6318R	PUSH SWITCH	PS-22E85-L5.2 LF	プ	ッ	シュ	スイッチ	407770	03
S103	AA6411R	PUSH SWITCH	PS-42E85L LF	プ	ッ	シュ	スイッチ	407769	03
S201	AA6318R	PUSH SWITCH	PS-22E85-L5.2 LF	プ	ッ	シュ	スイッチ	407770	03
S202	AA6318R	PUSH SWITCH	PS-22E85-L5.2 LF	プ	ッ	シュ	スイッチ	407770	03
S302	AA6318R	PUSH SWITCH	PS-22E85-L5.2 LF	プ	ッ	シュ	スイッチ	407770	03
S501	AA6318R	PUSH SWITCH	PS-22E85-L5.2 LF	プ	ッ	シュ	スイッチ	407770	03
VR11	WP103200	VARIABLE RESISTOR	XV012313YGPV30F1B5	ボ	リ	ユ	ーム	PHONSE	470076
VR101	AA6412R	ROTARY VARIABLE RESISTOR	1B50KCC 50KB LF	ボ	リ	ウ	ーム	LOW (CH1)	407761
VR102	AA6412R	ROTARY VARIABLE RESISTOR	1B50KCC 50KB LF	ボ	リ	ウ	ーム	HIGH (CH1)	407761
VR103	AA6413R	ROTARY VARIABLE RESISTOR	15A20K 20KA LF	ボ	リ	ウ	ーム	LEVEL (CH1)	407760
VR104	WP103200	VARIABLE RESISTOR	XV012313YGPV30F1B5	ボ	リ	ユ	ーム	ST SUB OUT	470076
VR105	AA6414R	ROTARY VARIABLE RESISTOR	1B50K 50KBx2 LF	ボ	リ	ウ	ーム	MASTER LEVEL	408703
VR201	AA6412R	ROTARY VARIABLE RESISTOR	1B50KCC 50KB LF	ボ	リ	ウ	ーム	LOW (CH2)	407761
VR202	AA6412R	ROTARY VARIABLE RESISTOR	1B50KCC 50KB LF	ボ	リ	ウ	ーム	HIGH (CH2)	407761
VR203	AA6413R	ROTARY VARIABLE RESISTOR	15A20K 20KA LF	ボ	リ	ウ	ーム	LEVEL (CH2)	407760
VR301	AA6416R	ROTARY VARIABLE RESISTOR	1B50KCC 50KBx2 LF	ボ	リ	ウ	ーム	LOW (CH3/4)	407763
VR302	AA6416R	ROTARY VARIABLE RESISTOR	1B50KCC 50KBx2 LF	ボ	リ	ウ	ーム	HIGH (CH3/4)	407763
VR303	AA6415R	ROTARY VARIABLE RESISTOR	15A20K 20KAx2 LF	ボ	リ	ウ	ーム	LEVEL (CH3/4)	407762

\*: New Parts

RANK: Japan only

**CONTROL and INPUT and REVERB and NETWORK and POWER and SP BOX IN and SP OUT**

REF NO.	PART NO.	DESCRIPTION	部 品 名	REMARKS	QTY	RANK	
VR501	AAx6416R	ROTARY VARIABLE RESISTOR	1B50KCC 50KBx2 LF	ボ リ ウ ム	LOW (CH5/6)	407763	04
VR502	AAx6416R	ROTARY VARIABLE RESISTOR	1B50KCC 50KBx2 LF	ボ リ ウ ム	HIGH (CH5/6)	407763	04
VR503	AAx6415R	ROTARY VARIABLE RESISTOR	15A20K 20KAx2 LF	ボ リ ウ ム	LEVEL (CH5/6)	407762	04
VR601	AAx6413R	ROTARY VARIABLE RESISTOR	15A20K 20KA LF	ボ リ ウ ム	REVERB	407760	03
VR701	AAx6416R	ROTARY VARIABLE RESISTOR	1B50KCC 50KBx2 LF	ボ リ ウ ム	LOW (CH7/8)	407763	04
VR702	AAx6416R	ROTARY VARIABLE RESISTOR	1B50KCC 50KBx2 LF	ボ リ ウ ム	HIGH (CH7/8)	407763	04
VR703	AAx6415R	ROTARY VARIABLE RESISTOR	15A20K 20KAx2 LF	ボ リ ウ ム	LEVEL (CH7/8)	407762	04
ZN1	AAx6319R	VARIATOR	AVR-M1608C270KT2AB	バ リ ス タ		374351	02
-10	AAx6319R	VARIATOR	AVR-M1608C270KT2AB	バ リ ス タ		374351	02
* C243	WP918600	CIRCUIT BOARD	NETWORK	NET W O R K シ ー ト		470647-1	
	--	CORD HOLDER	SKB-1M WH	イ ン シ ュ ロ ッ ク タ イ		080558	
	--	CORD HOLDER	SKB-2M WH	イ ン シ ュ ロ ッ ク タ イ		080563	
	WP123600	CAPACITOR	6.8u 100V	コ ン デ ン サ		422211	
C244	WP124300	CAPACITOR	0.82u 250V	コ ン デ ン サ		422246	
C245	WP124500	CAPACITOR	3.9u 250V	コ ン デ ン サ		422260	
CN10	AAx4369R	CONNECTOR BASE POST	2P B2P-VH	コ ネ ク タ 2 P		081661	02
L203	WP166700	COIL	1.2mHA@A1E5-1 LF	コ イ ル		414428	
L204	WP166800	COIL	0.3mH A1E5-2 LF	コ イ ル		414429	
* P9	WP914600	CORD ASSEMBLY	SP-WF 205N-SIN A	コ ー ド A s s ' y		436034	
* P10	WP914700	CORD ASSEMBLY	SP-WF 110N-SIN A	コ ー ド A s s ' y		436035	
* P11	WP915100	CORD ASSEMBLY	SP-TW 205N-SIN A	コ ー ド A s s ' y		436036	
* P12	WP915200	CORD ASSEMBLY	SP-TW 110N-SIN A	コ ー ド A s s ' y		436037	
PSW	WJ611800	PROTECTOR SWITCH	RXEF065 LF	ボ リ ス イ ッ チ		446830	05
* C243	WP919300	CIRCUIT BOARD	POWER	P O W E R シ ー ト	J,U	470642-1	
	WP919400	CIRCUIT BOARD	POWER	P O W E R シ ー ト	B,E,K,O	470643-1	
	WP919500	CIRCUIT BOARD	SP BOX IN	S P B O X I N シ ー ト	WITH NUT	470642_3-2	
	WP919600	CIRCUIT BOARD	SP OUT	S P O U T シ ー ト	WITH NUT	470642_3-3	
	AAx6335R	FUSE HOLDER	EYF-52BCY T	ヒ ュ ー ズ ホ ル ダ		404188	2
	WP182700	SC PN S-W	M3x12 CR3	ネ ジ		408158	2
	WP928400	HEATSINK	A1C7 A-2	ヒ ー ト シ ン ク		434646	
	WP928600	HEATSINK	FET A1G8A0	ヒ ー ト シ ン ク		471024	
	WP916100	CORD ASSEMBLY	VH2P-SIN A1G8-2	コ ー ド A s s ' y		475185	
C137	AAx6336R	ELECTROLYTIC CAP.	10uF 50V	ケ ミ コ ン		407785	
C142	AAx6336R	ELECTROLYTIC CAP.	10uF 50V	ケ ミ コ ン		407785	
* C801	WP913000	MYLAR CAPACITOR	0.1uF 275V	マ イ ラ コ ン		350238	
* C802	WP913000	MYLAR CAPACITOR	0.1uF 275V	マ イ ラ コ ン		350238	
C803	AAx6344R	CERAMIC CAPACITOR	1000pF 250V	セ ラ コ ン	B,E,K,O	360686	
C803	WP111400	CERAMIC CAPACITOR	2200pF	セ ラ コ ン	J,U	471018	
C804	AAx6344R	CERAMIC CAPACITOR	1000pF 250V	セ ラ コ ン	B,E,K,O	360686	
C804	WP111400	CERAMIC CAPACITOR	2200pF	セ ラ コ ン	J,U	471018	
C805	WP068300	ELECTROLYTIC CAP.	220uF 200V	ケ ミ コ ン		470969	
C806	WP068300	ELECTROLYTIC CAP.	220uF 200V	ケ ミ コ ン		470969	
C807	WP068900	ELECTROLYTIC CAP.	47uF 35V	ケ ミ コ ン		470971	
C810	WP068900	ELECTROLYTIC CAP.	47uF 35V	ケ ミ コ ン		470971	
C811	WP062000	CERAMIC CAPACITOR (CHIP)	0.22uF Z	チ ッ プ セ ラ コ ン		443104	
C812	WP062000	CERAMIC CAPACITOR (CHIP)	0.22uF Z	チ ッ プ セ ラ コ ン		443104	
C813	AAx6929R	CERAMIC CAPACITOR (CHIP)	2200pF 50V K	チ ッ プ セ ラ コ ン		065506	
C815	AAx6271R	CERAMIC CAPACITOR (CHIP)	1uF 10V K	チ ッ プ セ ラ コ ン		374406	
C816	WP111400	CERAMIC CAPACITOR	2200pF	セ ラ コ ン		471018	
C817	AAx6302R	CERAMIC CAPACITOR (CHIP)	1000pF K	チ ッ プ セ ラ コ ン		065501	
C821	WP069200	ELECTROLYTIC CAP.	270uF 35V	ケ ミ コ ン		470972	
C822	WJ588900	ELECTROLYTIC CAP.	47uF 35V	ケ ミ コ ン		429112	01
C823	WP062000	CERAMIC CAPACITOR (CHIP)	0.22uF Z	チ ッ プ セ ラ コ ン		443104	
C824	WP069200	ELECTROLYTIC CAP.	270uF 35V	ケ ミ コ ン		470972	
C825	WJ588900	ELECTROLYTIC CAP.	47uF 35V	ケ ミ コ ン		429112	01
C826	WJ588900	ELECTROLYTIC CAP.	47uF 35V	ケ ミ コ ン		429112	01
C827	WP065200	CERAMIC CAPACITOR (CHIP)	330pF J	チ ッ プ セ ラ コ ン		471057	
-830	WP065200	CERAMIC CAPACITOR (CHIP)	330pF J	チ ッ プ セ ラ コ ン		471057	
C831	WP068700	ELECTROLYTIC CAP.	220uF 50V	ケ ミ コ ン		470970	
-834	WP068700	ELECTROLYTIC CAP.	220uF 50V	ケ ミ コ ン		470970	
C835	AAx6273R	CERAMIC CAPACITOR (CHIP)	0.01uF 50V K	チ ッ プ セ ラ コ ン		368353	
C836	AAx6273R	CERAMIC CAPACITOR (CHIP)	0.01uF 50V K	チ ッ プ セ ラ コ ン		368353	
C837	WJ592200	CERAMIC CAPACITOR (CHIP)	0.1uF 25V K	チ ッ プ セ ラ コ ン		374404	01
C841	AAx6341R	ELECTROLYTIC CAP.	1000uF 50V	ケ ミ コ ン		407824	06
C842	AAx6341R	ELECTROLYTIC CAP.	1000uF 50V	ケ ミ コ ン		407824	06
C845	AAx6271R	CERAMIC CAPACITOR (CHIP)	1uF 10V K	チ ッ プ セ ラ コ ン		374406	
C847	WN832700	ELECTROLYTIC CAP.	220uF 16V	ケ ミ コ ン		066715	
C848	AAx6350R	ELECTROLYTIC CAP.	100uF 16V	ケ ミ コ ン		066700	01

\*: New Parts

RANK: Japan only



## POWER and SP BOX IN and SP OUT

REF NO.	PART NO.	DESCRIPTION	部 品 名	REMARKS	QTY	RANK
C890	WP069200	ELECTROLYTIC CAP.	270uF 35V	ケ ミ コ ン	470972	
C891	AAx6273R	CERAMIC CAPACITOR (CHIP)	0.01uF 50V K	チ ッ プ セ ラ コ ン	368353	
C895	WJ592300	CERAMIC CAPACITOR (CHIP)	0.1uF Z	チ ッ プ セ ラ コ ン	431122	01
C896	WJ592300	CERAMIC CAPACITOR (CHIP)	0.1uF Z	チ ッ プ セ ラ コ ン	431122	01
C897	AAx6336R	ELECTROLYTIC CAP.	10uF 50V	ケ ミ コ ン	407785	
* C898	WP914500	CERAMIC CAPACITOR (CHIP)	0.01uF	チ ッ プ セ ラ コ ン	413259	
* C899	WP914500	CERAMIC CAPACITOR (CHIP)	0.01uF	チ ッ プ セ ラ コ ン	413259	
C925	AAx6340R	ELECTROLYTIC CAP.	47uF 25V	ケ ミ コ ン	066731	
C926	AAx6340R	ELECTROLYTIC CAP.	47uF 25V	ケ ミ コ ン	066731	
C997	AAx6273R	CERAMIC CAPACITOR (CHIP)	0.01uF 50V K	チ ッ プ セ ラ コ ン	368353	
C999	AAx6273R	CERAMIC CAPACITOR (CHIP)	0.01uF 50V K	チ ッ プ セ ラ コ ン	368353	
CN4	WJ593200	CONNECTOR BASE POST	8P 53290-0880 LF	コ ネ ク タ 8 P	433464	03
CN5	WJ593300	CONNECTOR BASE POST	9P 53290-0980 LF	コ ネ ク タ 9 P	434043	03
CN9	AAx4369R	CONNECTOR BASE POST	2P B2P-VH	コ ネ ク タ 2 P	081661	02
CN15	AAx6321R	CONNECTOR BASE POST	2P S2P-VH	コ ネ ク タ 2 P	048487	
CN19	WP104600	CORD ASSY	EH-SCN 9Px100 A1E5	コ ー ド A s s y	407773	
CN801	AAx10590	CONNECTOR BASE POST	2P B2P3-VH	コ ネ ク タ 2 P	081855	
* D1	WP916300	ZENER DIODE	P6KE200 LF	ツ ェ ナ ー ダ イ オ ー ド	477831	
* D2	WP916300	ZENER DIODE	P6KE200 LF	ツ ェ ナ ー ダ イ オ ー ド	477831	
D801	WP034900	DIODE	TS4B05G	ダ イ オ ー ド	408518	
D802	AAx4255R	DIODE	1SS133	ダ イ オ ー ド	069460	01
* D803	WP914400	DIODE	SFR1T6 T	ダ イ オ ー ド	408519	
D804	WP043100	DIODE	SRT14A1 T LF	ダ イ オ ー ド	433550	
D805	AAx4255R	DIODE	1SS133	ダ イ オ ー ド	069460	01
D806	AAx4255R	DIODE	1SS133	ダ イ オ ー ド	069460	01
D807	WP121200	DIODE	HT18G A1 T LF	ダ イ オ ー ド	470122	
D808	WP043100	DIODE	SRT14A1 T LF	ダ イ オ ー ド	433550	
D809	WP121500	DIODE	HER304G T LF	ダ イ オ ー ド	470171	
-812	WP121500	DIODE	HER304G T LF	ダ イ オ ー ド	470171	
D813	WN949300	ZENER DIODE	MTZJ12B T-77	ツ ェ ナ ー ダ イ オ ー ド	069170	
-815	WN949600	ZENER DIODE	MTZJ27B T-77	ツ ェ ナ ー ダ イ オ ー ド	069228	
* D816	WP899300	ZENER DIODE	UDZS7.5B TE-17	ツ ェ ナ ー ダ イ オ ー ド	069029	
* D817	WP899000	ZENER DIODE	UDZS5.6B TE-17	ツ ェ ナ ー ダ イ オ ー ド	049039	
D824	AAx6360R	ZENER DIODE	MTZJ10B T-77	ツ ェ ナ ー ダ イ オ ー ド	069158	
D826	AAx4255R	DIODE	1SS133	ダ イ オ ー ド	069460	01
D828	AAx4255R	DIODE	1SS133	ダ イ オ ー ド	069460	01
D831	AAx4255R	DIODE	1SS133	ダ イ オ ー ド	069460	01
* D841	AAx90620	DIODE	SX34	ダ イ オ ー ド	479865	
* D842	AAx90620	DIODE	SX34	ダ イ オ ー ド	479865	
D846	AAx4255R	DIODE	1SS133	ダ イ オ ー ド	069460	01
-851	AAx4255R	DIODE	1SS133	ダ イ オ ー ド	069460	01
D860	WJ596900	ZENER DIODE	MTZJ24B T-77	ツ ェ ナ ー ダ イ オ ー ド	069220	01
D861	WJ596900	ZENER DIODE	MTZJ24B T-77	ツ ェ ナ ー ダ イ オ ー ド	069220	01
EP1	XX698880	LUG TERMINAL	MET37-0001	ラ グ 端 子	075878	
EP2	XX698880	LUG TERMINAL	MET37-0001	ラ グ 端 子	075878	
F1	WP069900	FUSE	250V 3.15A	ヒ ュ ー ズ	471017	
* IC801	X9876A00	IC	FA5510P-D1 LF	I C	SWITCHING CONTROLLER	470973
* IC802	X9889A00	IC	SL431AM LF	I C	REGULATOR	434028
* IC803	X9877A00	IC	SI-8008TFE LF	I C	SWITCHING CONTROLLER	470974
IC804	AAx6366R	IC	KIA7915PI-U/P	I C	REGULATOR -15V	407827
IC805	AAx6364R	IC	KIA7815API-U/P	I C	REGULATOR +15V	407826
IC806	AAx6367R	IC	KIA78M05PI-U/P	I C	REGULATOR +5V	407828
JK108	AAx6322R	PHONE JACK	4P CK-6.35-29A	ホ ー ン ジャ ッ ク	SPEAKER OUT	406710
JK109	AAx6322R	PHONE JACK	4P CK-6.35-29A	ホ ー ン ジャ ッ ク	SP BOX IN	406710
JP1	-	WIRE JUMPER IPS-1041-3-PT		ジャンパー線	J,U	413568
L199	AAx6323R	COIL	ACM1211-102-2PL LF	コ イ ル		413260
* L801	WP915400	COIL	CNF24H-A103 LF	コ イ ル		472652
L803	WP167000	COIL	FT6042 LF	コ イ ル		471019
L804	WP166200	COIL	PJ8ZT-4R7M LF	コ イ ル		470078
L805	WP166200	COIL	PJ8ZT-4R7M LF	コ イ ル		470078
L806	WP167100	COIL	FT6043 LF	コ イ ル		471020
* PH801	WP916000	THERMISTOR	TPM1S471P115R T	サ ー ミ ス タ		474907
PHC801	WP125200	PHOTO COUPLER	K10101D LF	フ ォ ト カ プ ラ ー		470976
PHC802	WP125200	PHOTO COUPLER	K10101D LF	フ ォ ト カ プ ラ ー		470976
PHC803	WP125200	PHOTO COUPLER	K10101D LF	フ ォ ト カ プ ラ ー		470976
* Q803	WP915900	FET	2SK3502-01MR LF	F E T		474906
Q804	AAx6371R	TRANSISTOR (CHIP)	2SA1037AK QRS T146	ト ラ ン ジ ス タ		068590
Q805	AAx45980	TRANSISTOR (CHIP)	2SC2412K QRS T146	ト ラ ン ジ ス タ		068775

\*: New Parts

RANK: Japan only

**POWER and SP BOX IN and SP OUT**

REF NO.	PART NO.	DESCRIPTION	部 品 名	REMARKS	QTY	RANK
Q806	WJ612600	TRANSISTOR	KTC2026 YGR	トランジスタ	362783	04
Q808	AAAX45980	TRANSISTOR (CHIP)	2SC2412K QRS T146	トランジスタ	068775	
Q809	AAAX45980	TRANSISTOR (CHIP)	2SC2412K QRS T146	トランジスタ	068775	
Q810	AAAX6371R	TRANSISTOR (CHIP)	2SA1037AK QRS T146	トランジスタ	068590	
Q811	AAAX45980	TRANSISTOR (CHIP)	2SC2412K QRS T146	トランジスタ	068775	
-813	AAAX45980	TRANSISTOR (CHIP)	2SC2412K QRS T146	トランジスタ	068775	
Q814	AAAX6372R	TRANSISTOR	KRC102S-RTK/P T LF	トランジスタ	402266	01
Q815	AAAX6372R	TRANSISTOR	KRC102S-RTK/P T LF	トランジスタ	402266	01
Q816	AAAX6371R	TRANSISTOR (CHIP)	2SA1037AK QRS T146	トランジスタ	068590	
Q817	AAAX45980	TRANSISTOR (CHIP)	2SC2412K QRS T146	トランジスタ	068775	
Q818	AAAX6371R	TRANSISTOR (CHIP)	2SA1037AK QRS T146	トランジスタ	068590	
Q819	AAAX45980	TRANSISTOR (CHIP)	2SC2412K QRS T146	トランジスタ	068775	
-821	AAAX45980	TRANSISTOR (CHIP)	2SC2412K QRS T146	トランジスタ	068775	
Q822	AAAX6372R	TRANSISTOR	KRC102S-RTK/P T LF	トランジスタ	402266	01
Q823	AAAX6371R	TRANSISTOR (CHIP)	2SA1037AK QRS T146	トランジスタ	068590	
Q824	AAAX45980	TRANSISTOR (CHIP)	2SC2412K QRS T146	トランジスタ	068775	
Q825	AAAX45980	TRANSISTOR (CHIP)	2SC2412K QRS T146	トランジスタ	068775	
* Q826	WP899100	TRANSISTOR	DTA114TKA T146	トランジスタ	055067	
Q827	AAAX45980	TRANSISTOR (CHIP)	2SC2412K QRS T146	トランジスタ	068775	
R1	AAAX6409R	CARBON RESISTOR (CHIP)	0.00 J	チップ抵抗	067491	
-4	AAAX6409R	CARBON RESISTOR (CHIP)	0.00 J	チップ抵抗	067491	
R801	WJ599000	CARBON RESISTOR	680K 1/4W J	カーボン抵抗	079317	01
R802	AAAX6375R	CARBON RESISTOR	33 1/4W J	カーボン抵抗	067193	
R803	WP071000	CARBON RESISTOR	100k 1/2W	カーボン抵抗	471023	
-806	WP071000	CARBON RESISTOR	100k 1/2W	カーボン抵抗	471023	
R807	WJ599000	CARBON RESISTOR	680K 1/4W J	カーボン抵抗	079317	01
R808	WJ599000	CARBON RESISTOR	680K 1/4W J	カーボン抵抗	079317	01
R811	AAAX6409R	CARBON RESISTOR (CHIP)	0.00 J	チップ抵抗	067491	
R812	AAAX6409R	CARBON RESISTOR (CHIP)	0.00 J	チップ抵抗	067491	
R813	AAAX6281R	CARBON RESISTOR (CHIP)	1K J	チップ抵抗	067495	
R814	AAAX6311R	CARBON RESISTOR (CHIP)	3.3K J	チップ抵抗	067531	
R816	AAAX6278R	CARBON RESISTOR (CHIP)	33K J	チップ抵抗	067532	
R817	AAAX4279R	CARBON RESISTOR	100 1/6W	カーボン抵抗	067065	01
R818	WJ598400	CARBON RESISTOR	10 1/4W J	カーボン抵抗	067060	01
R819	AAAX6388R	CARBON RESISTOR (CHIP)	4.7K J	チップ抵抗	067545	
R820	AAAX6408R	CARBON RESISTOR (CHIP)	680 J	チップ抵抗	067557	
R822	WP126900	METAL PLATE RESISTOR	0.1 3W	金属板抵抗	443553	
R823	WN843200	CARBON RESISTOR (CHIP)	2.2 J	チップ抵抗	067523	
R824	AAAX6280R	CARBON RESISTOR (CHIP)	47K J	チップ抵抗	067546	
R825	AAAX6285R	CARBON RESISTOR (CHIP)	2.2K J	チップ抵抗	067519	
R826	AAAX6281R	CARBON RESISTOR (CHIP)	1K J	チップ抵抗	067495	
R827	WJ599900	CARBON RESISTOR (CHIP)	820 J	チップ抵抗	067561	01
R828	AAAX6407R	CARBON RESISTOR (CHIP)	12K J	チップ抵抗	067504	
R829	AAAX6388R	CARBON RESISTOR (CHIP)	4.7K J	チップ抵抗	067545	
R830	AAAX6288R	CARBON RESISTOR (CHIP)	10K J	チップ抵抗	067497	03
R831	WN842900	FLAME PROOF C. RESISTOR	2.2 1/4W(FS)	不燃化カーボン抵抗タテ型	055504	
* R832	WP915700	METAL OXIDE FILM RESISTOR	82 1W	酸化金属増皮膜抵抗	473381	
* -835	WP915700	METAL OXIDE FILM RESISTOR	82 1W	酸化金属増皮膜抵抗	473381	
* R836	WP915800	METAL OXIDE FILM RESISTOR	5.6k 2W	酸化金属増皮膜抵抗	474905	
* R837	WP915800	METAL OXIDE FILM RESISTOR	5.6k 2W	酸化金属増皮膜抵抗	474905	
R838	AAAX6281R	CARBON RESISTOR (CHIP)	1K J	チップ抵抗	067495	
R839	AAAX6285R	CARBON RESISTOR (CHIP)	2.2K J	チップ抵抗	067519	
R840	AAAX6409R	CARBON RESISTOR (CHIP)	0.00 J	チップ抵抗	067491	
R841	AAAX6407R	CARBON RESISTOR (CHIP)	12K J	チップ抵抗	067504	
R842	AAAX6379R	CARBON RESISTOR (CHIP)	22K J	チップ抵抗	067520	
R843	AAAX6285R	CARBON RESISTOR (CHIP)	2.2K J	チップ抵抗	067519	
R844	AAAX6311R	CARBON RESISTOR (CHIP)	3.3K J	チップ抵抗	067531	
R845	AAAX6281R	CARBON RESISTOR (CHIP)	1K J	チップ抵抗	067495	
R847	WN833200	CARBON RESISTOR	10K 1/6W	カーボン抵抗	067074	
R848	AAAX4283R	CARBON RESISTOR	1K 1/6W	カーボン抵抗	067069	01
R851	AAAX6384R	METAL OXIDE FILM RESISTOR	560 1W J	サンキーン抵抗	068052	
R852	AAAX4283R	CARBON RESISTOR	1K 1/6W	カーボン抵抗	067069	01
R853	AAAX6285R	CARBON RESISTOR (CHIP)	2.2K J	チップ抵抗	067519	
R854	AAAX6279R	CARBON RESISTOR (CHIP)	1.5K J	チップ抵抗	067508	
R855	AAAX6388R	CARBON RESISTOR (CHIP)	4.7K J	チップ抵抗	067545	
* R856	AAAX90630	CARBON RESISTOR	27k 1/6W	カーボン抵抗	067181	
* R857	AAAX90630	CARBON RESISTOR	27k 1/6W	カーボン抵抗	067181	
R859	AAAX6386R	METAL OXIDE FILM RESISTOR	2.2K 1W J	サンキーン抵抗	068006	
R860	AAAX6292R	CARBON RESISTOR (CHIP)	100K J	チップ抵抗	067499	
R863	AAAX6311R	CARBON RESISTOR (CHIP)	3.3K J	チップ抵抗	067531	

\*: New Parts

RANK: Japan only

**POWER and SP BOX IN and SP OUT**

△  
△ \*  
△  
△  
△  
△  
△ \*  
△ \*

REF NO.	PART NO.	DESCRIPTION		部 品 名	REMARKS	QTY	RANK
R864	<b>AA</b> X6292R	CARBON RESISTOR (CHIP)	100K J	チ ッ プ 抵 抗		067499	
R865	<b>AA</b> X6406R	CARBON RESISTOR (CHIP)	27K J	チ ッ プ 抵 抗		067527	
R867	<b>AA</b> X6312R	CARBON RESISTOR (CHIP)	1M J	チ ッ プ 抵 抗		067500	
R868	<b>AA</b> X6379R	CARBON RESISTOR (CHIP)	22K J	チ ッ プ 抵 抗		067520	
R869	<b>AA</b> X6281R	CARBON RESISTOR (CHIP)	1K J	チ ッ プ 抵 抗		067495	
R870	<b>AA</b> X6288R	CARBON RESISTOR (CHIP)	10K J	チ ッ プ 抵 抗		067497	03
R871	<b>AA</b> X6288R	CARBON RESISTOR (CHIP)	10K J	チ ッ プ 抵 抗		067497	03
R872	<b>AA</b> X6387R	CARBON RESISTOR (CHIP)	560K J	チ ッ プ 抵 抗		067555	
R874	<b>AA</b> X6388R	CARBON RESISTOR (CHIP)	4.7K J	チ ッ プ 抵 抗		067545	
R875	<b>AA</b> X6288R	CARBON RESISTOR (CHIP)	10K J	チ ッ プ 抵 抗		067497	03
R876	<b>AA</b> X6288R	CARBON RESISTOR (CHIP)	10K J	チ ッ プ 抵 抗		067497	03
R877	<b>AA</b> X6379R	CARBON RESISTOR (CHIP)	22K J	チ ッ プ 抵 抗		067520	
R888	<b>AA</b> X6288R	CARBON RESISTOR (CHIP)	10K J	チ ッ プ 抵 抗		067497	03
R889	<b>AA</b> X6281R	CARBON RESISTOR (CHIP)	1K J	チ ッ プ 抵 抗		067495	
R892	<b>AA</b> X6379R	CARBON RESISTOR (CHIP)	22K J	チ ッ プ 抵 抗		067520	
R893	<b>AA</b> X6388R	CARBON RESISTOR (CHIP)	4.7K J	チ ッ プ 抵 抗		067545	
R894	<b>AA</b> X6379R	CARBON RESISTOR (CHIP)	22K J	チ ッ プ 抵 抗		067520	
R895	<b>AA</b> X6388R	CARBON RESISTOR (CHIP)	4.7K J	チ ッ プ 抵 抗		067545	
R897	<b>AA</b> X6281R	CARBON RESISTOR (CHIP)	1K J	チ ッ プ 抵 抗		067495	
R898	<b>AA</b> X6281R	CARBON RESISTOR (CHIP)	1K J	チ ッ プ 抵 抗		067495	
R899	<b>AA</b> X6288R	CARBON RESISTOR (CHIP)	10K J	チ ッ プ 抵 抗		067497	03
R900	<b>AA</b> X6388R	CARBON RESISTOR (CHIP)	4.7K J	チ ッ プ 抵 抗		067545	
R905	<b>AA</b> X6288R	CARBON RESISTOR (CHIP)	10K J	チ ッ プ 抵 抗		067497	03
R906	<b>AA</b> X6288R	CARBON RESISTOR (CHIP)	10K J	チ ッ プ 抵 抗		067497	03
R907	<b>AA</b> X6280R	CARBON RESISTOR (CHIP)	47K J	チ ッ プ 抵 抗		067546	
R908	<b>AA</b> X6288R	CARBON RESISTOR (CHIP)	10K J	チ ッ プ 抵 抗		067497	03
R909	<b>AA</b> X6288R	CARBON RESISTOR (CHIP)	10K J	チ ッ プ 抵 抗		067497	03
R910	<b>AA</b> X6286R	CARBON RESISTOR (CHIP)	150K J	チ ッ プ 抵 抗		067511	
R911	<b>AA</b> X6288R	CARBON RESISTOR (CHIP)	10K J	チ ッ プ 抵 抗		067497	03
R913	<b>AA</b> X6288R	CARBON RESISTOR (CHIP)	10K J	チ ッ プ 抵 抗		067497	03
R919	<b>AA</b> X6317R	CARBON RESISTOR (CHIP)	560 J	チ ッ プ 抵 抗		067551	
RL801	<b>W</b> J607900	RELAY	SDT-S-112LMR	リ レ		055473	05
T2	<b>Y</b> A088A00	POWER TRANSFORMER	A1G8-2 LF	電 源 ト ラ ン ス		476532	
TH801	<b>W</b> P109600	THERMISTOR	SCK13104MIY LF	サ ー ミ ス タ		471021	
	<b>AA</b> X6858R	AC CORD	J	電 源 ケ ー ブ ル	J	414427	08
	<b>AA</b> X6859R	AC CORD	U	電 源 ケ ー ブ ル	U	369532	08
	<b>AA</b> X6860R	AC CORD	E	電 源 ケ ー ブ ル	E,K	444741	08
	<b>AA</b> X6861R	AC CORD	BS	電 源 ケ ー ブ ル	B	444740	12
	<b>AA</b> X8241R	AC CORD	O (CHN)	電 源 ケ ー ブ ル	O	414426	12
	<b>W</b> J614300	AC INLET	SS-120-1.0A-4.0A	A C イ ン レ ッ ト	AC IN	446340	04
	<b>W</b> P914100	SWITCH	RF-10030BBG8A1H1	電 源 S W	POWER ON/OFF	402656	

\*: New Parts

RANK: Japan only

# PORTABLE PA SYSTEM

# STAGEPAS 150M

# CIRCUIT DIAGRAM

## ■ CONTENTS (目次)

BLOCK & LEVEL DIAGRAM (ブロック&レベルダイアグラム) .....	3
CIRCUIT DIAGRAM (回路図)	
POWER 1/2 .....	4
POWER 2/2, NETWORK, SP BOX IN, SP OUT .....	5
INPUT .....	6
CONTROL 1/2 .....	7
CONTROL 2/2 .....	8
REVERB .....	9
AMP .....	10

## ■ Capacitor (コンデンサー)

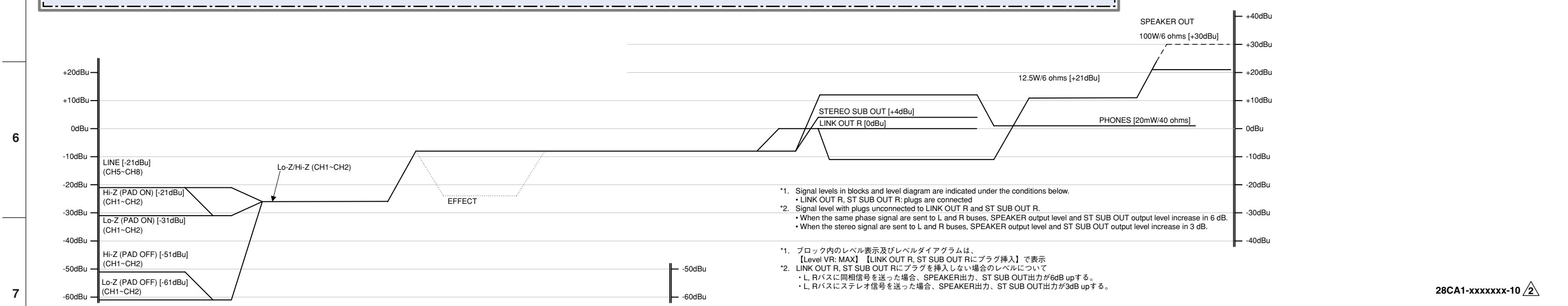
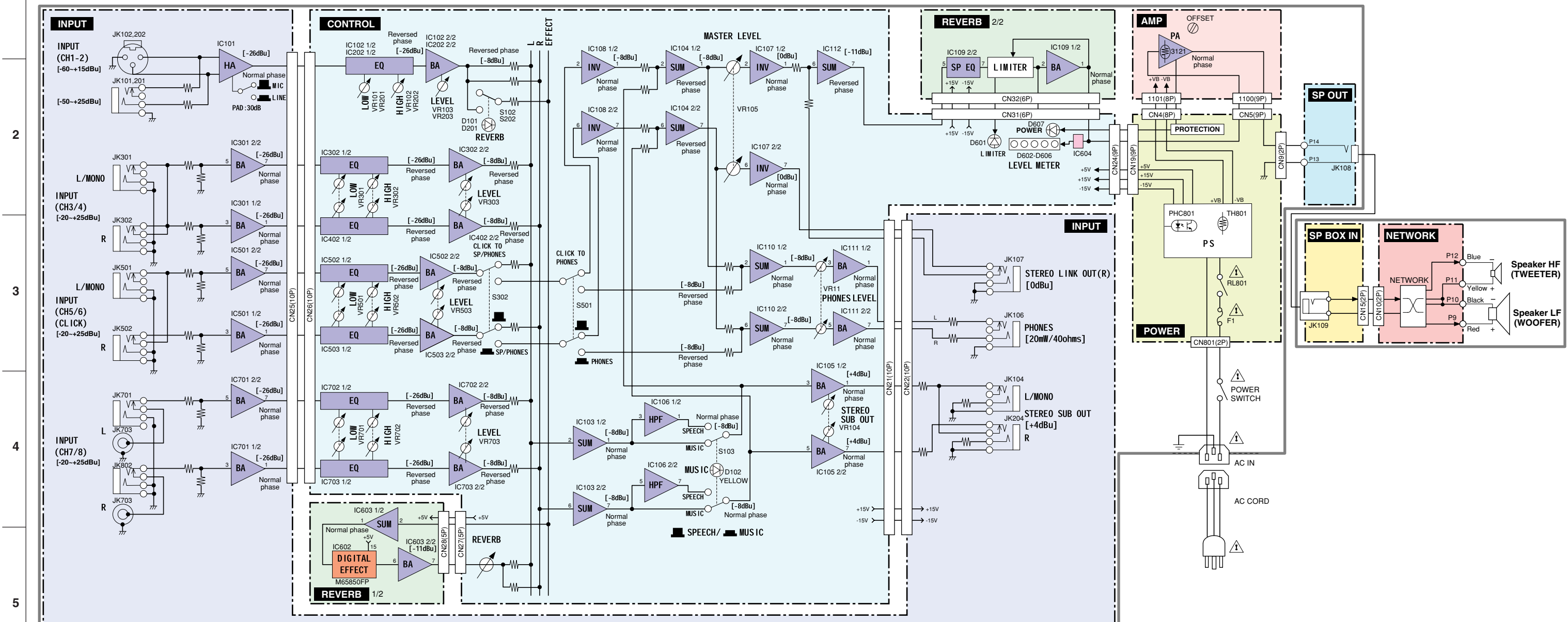
♯	: Electrolytic Capacitor	(ケミカルコンデンサー)
(MY)	: Mylar Capacitor	(マイラーコンデンサー)

## ■ WARNING (注意)

Components having special characteristics are marked  $\triangle$  and must be replaced with parts having specification equal to those originally installed.

$\triangle$  印の部品は、安全を維持するために重要な部品です。交換する場合は、安全のために必ず指定の部品をご使用ください。

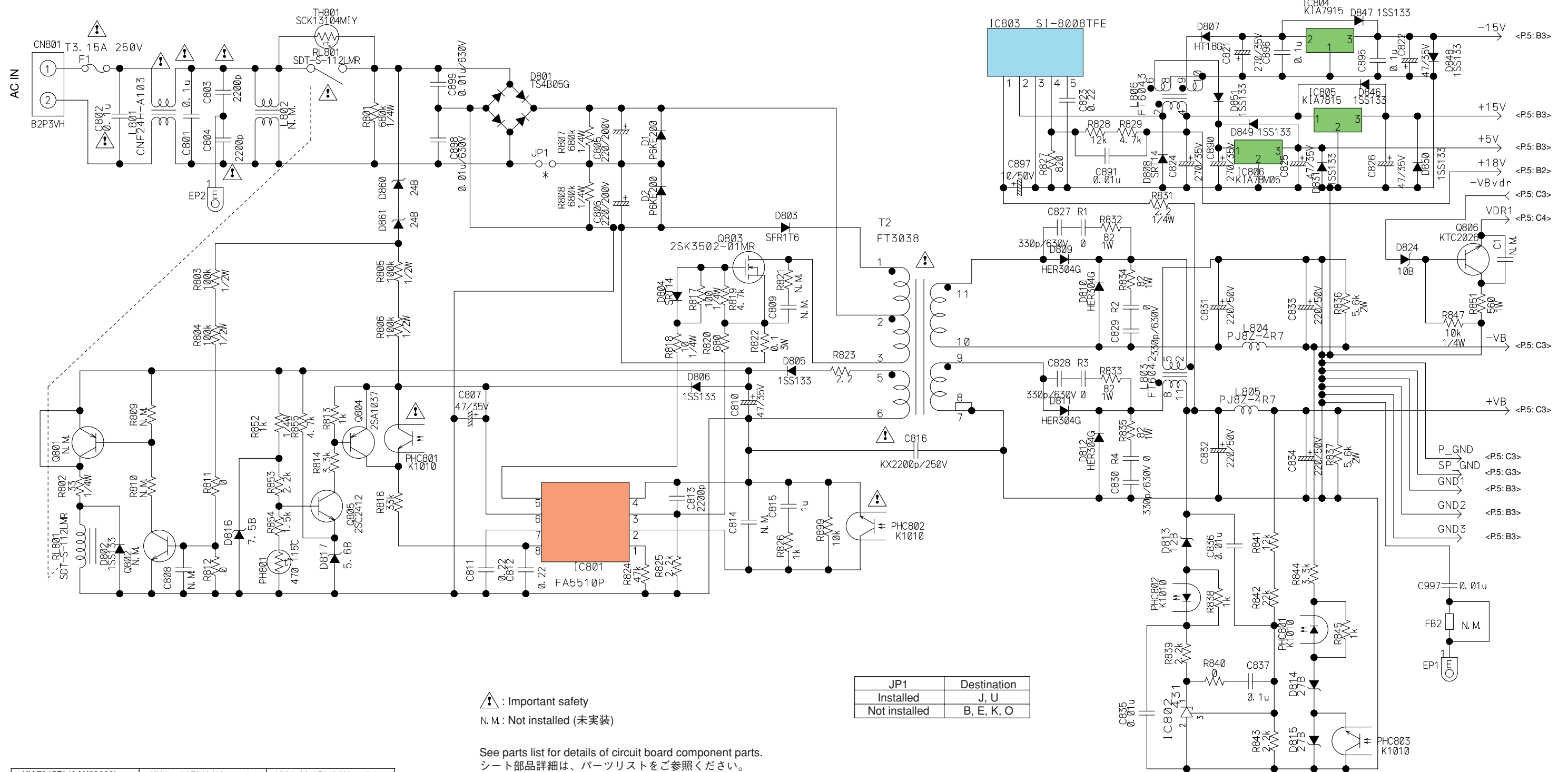
# BLOCK & LEVEL DIAGRAM (ブロック&レベルダイアグラム)



- \*1. Signal levels in blocks and level diagram are indicated under the conditions below.  
 • LINK OUT R, ST SUB OUT R: plugs are connected  
 \*2. Signal level with plugs unconnected to LINK OUT R and ST SUB OUT R.  
 • When the same phase signal are sent to L and R buses, SPEAKER output level and ST SUB OUT output level increase in 6 dB.  
 • When the stereo signal are sent to L and R buses, SPEAKER output level and ST SUB OUT output level increase in 3 dB.
- \*1. ブロック内のレベル表示及びレベルダイアグラムは、  
 【Level VR: MAX】 【LINK OUT R, ST SUB OUT R】にプラグ挿入) で表示  
 \*2. LINK OUT R, ST SUB OUT Rにプラグを挿入しない場合のレベルについて  
 • L, Rバスに同相信号を送った場合、SPEAKER出力、ST SUB OUT出力が6dB upする。  
 • L, Rバスにステレオ信号を送った場合、SPEAKER出力、ST SUB OUT出力が3dB upする。

**CIRCUIT DIAGRAM 1/7 (POWER 1/2)**

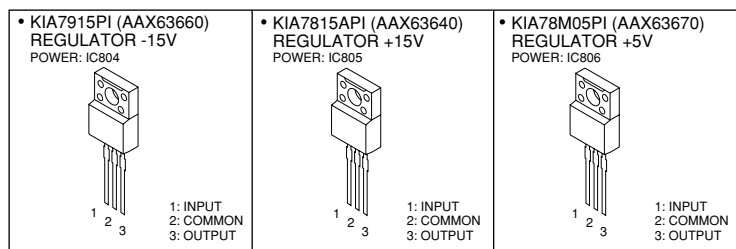
POWER 1/2



⚠ : Important safety  
N.M. : Not installed (未実装)

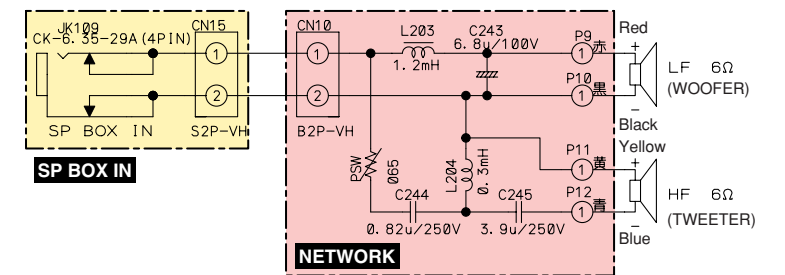
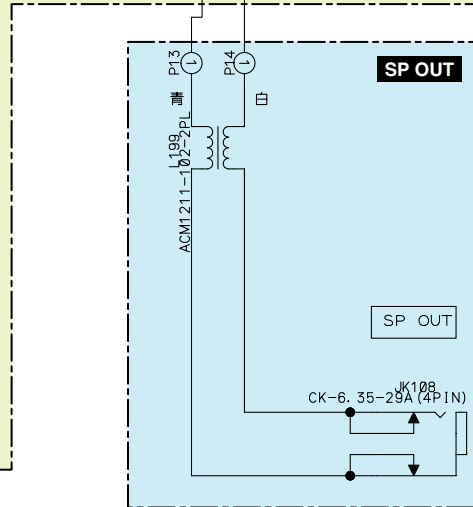
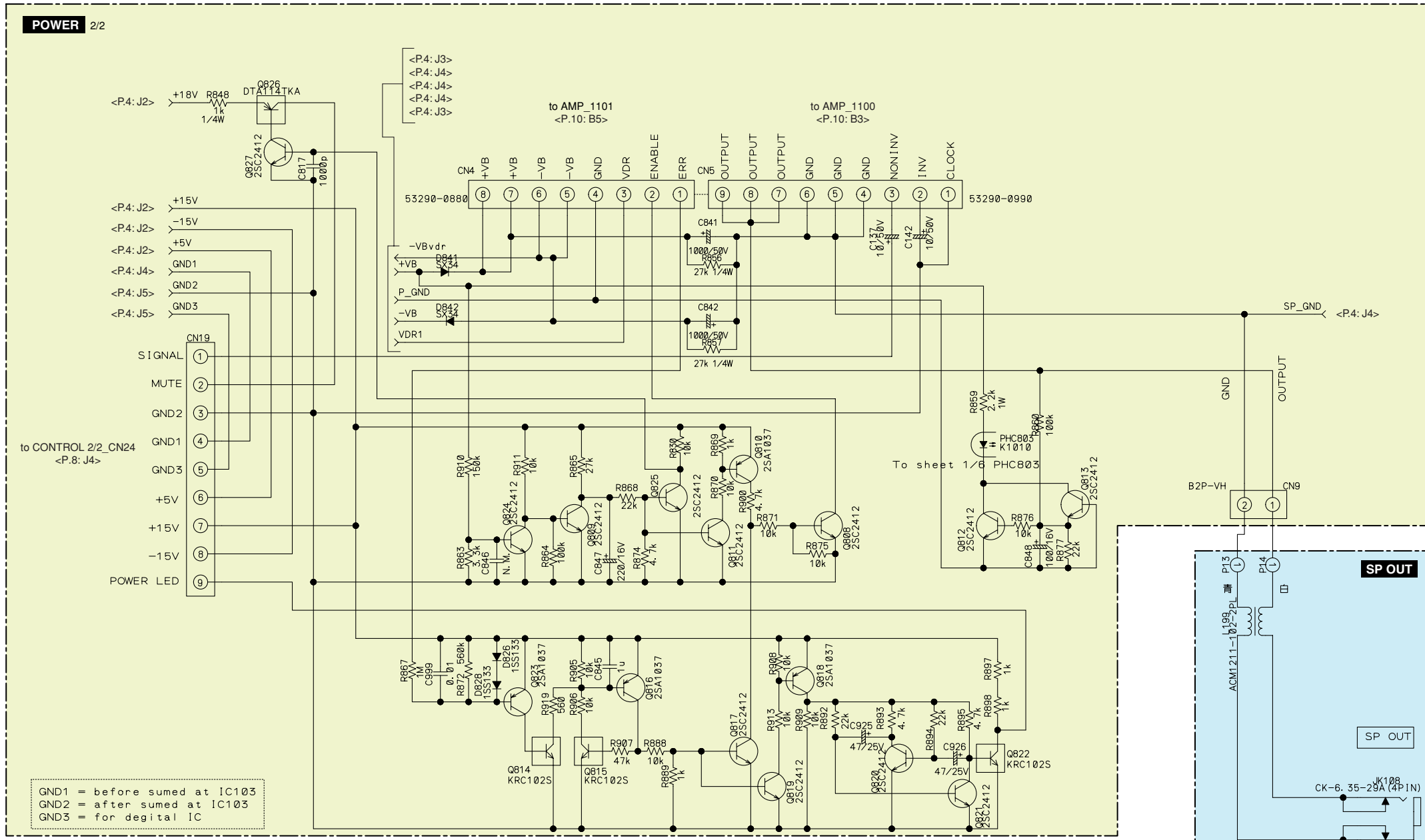
See parts list for details of circuit board component parts.  
シート部品詳細は、パーツリストをご参照ください。

JP1	Destination
Installed	J, U
Not installed	B, E, K, O



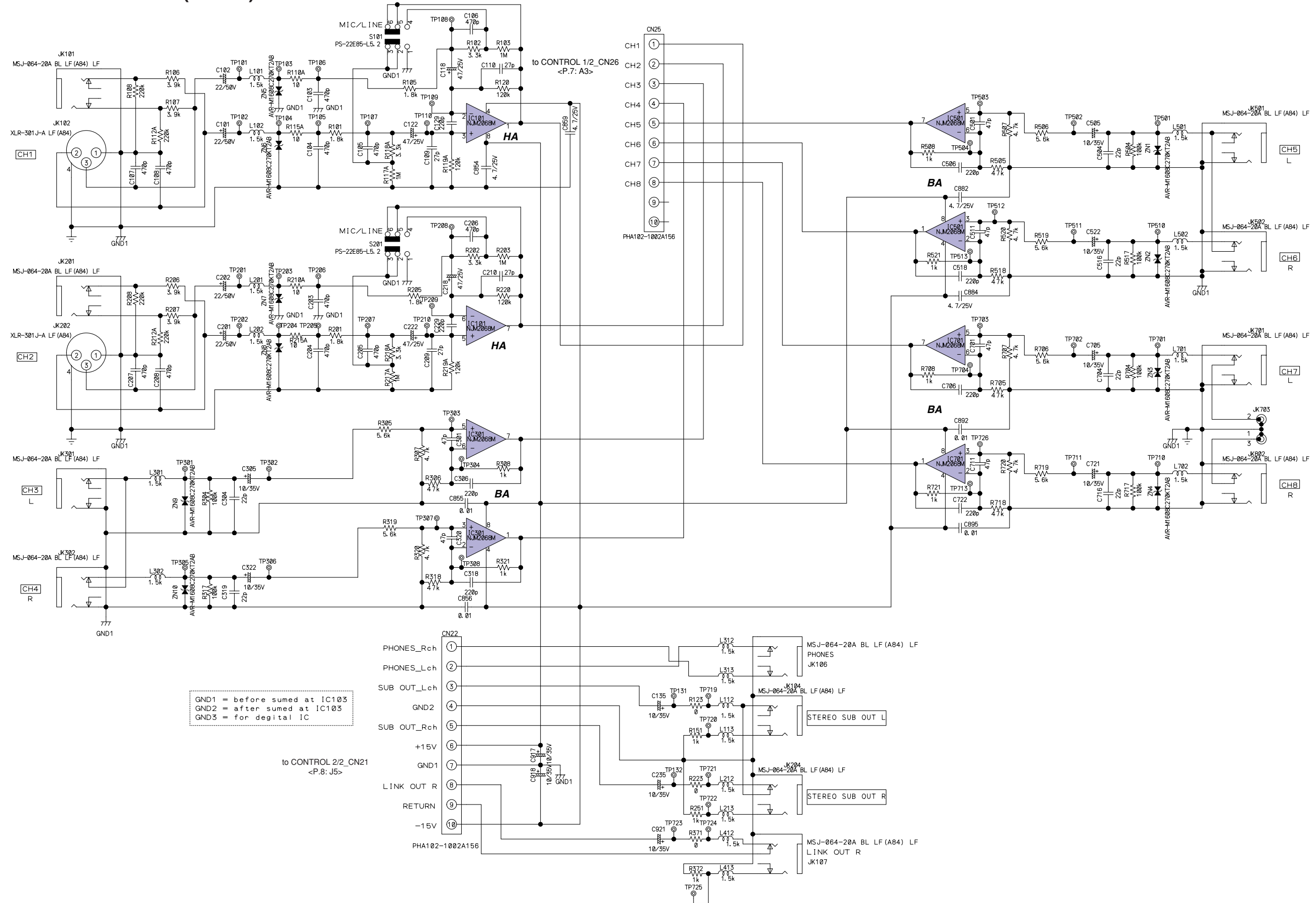
# CIRCUIT DIAGRAM 2/7 (POWER 2/2, NETWORK, SP BOX IN, SP OUT)

1  
2  
3  
4  
5  
6  
7



# CIRCUIT DIAGRAM 3/7 (INPUT)

## INPUT



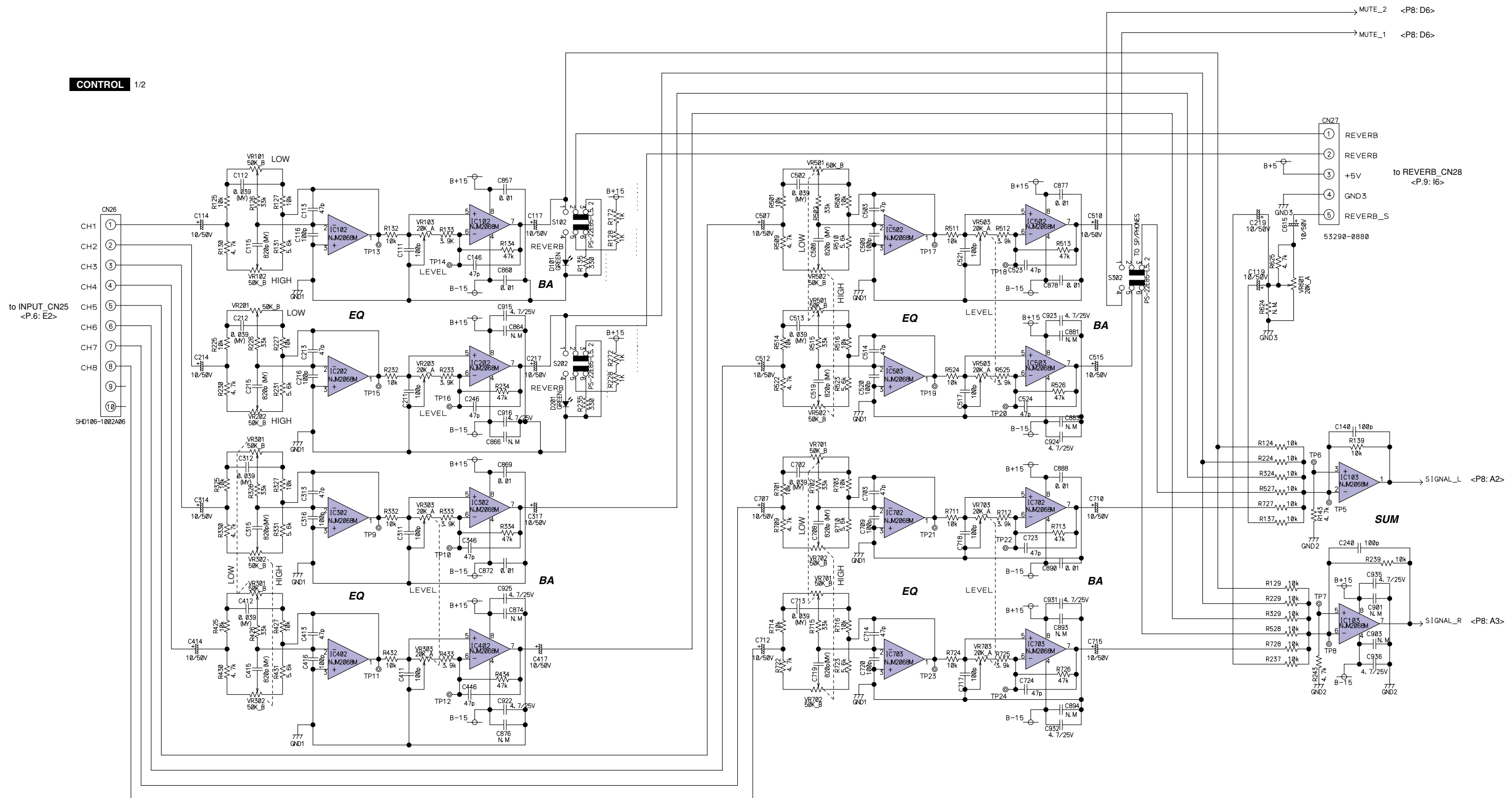
S5012352-3



1  
2  
3  
4  
5  
6  
7

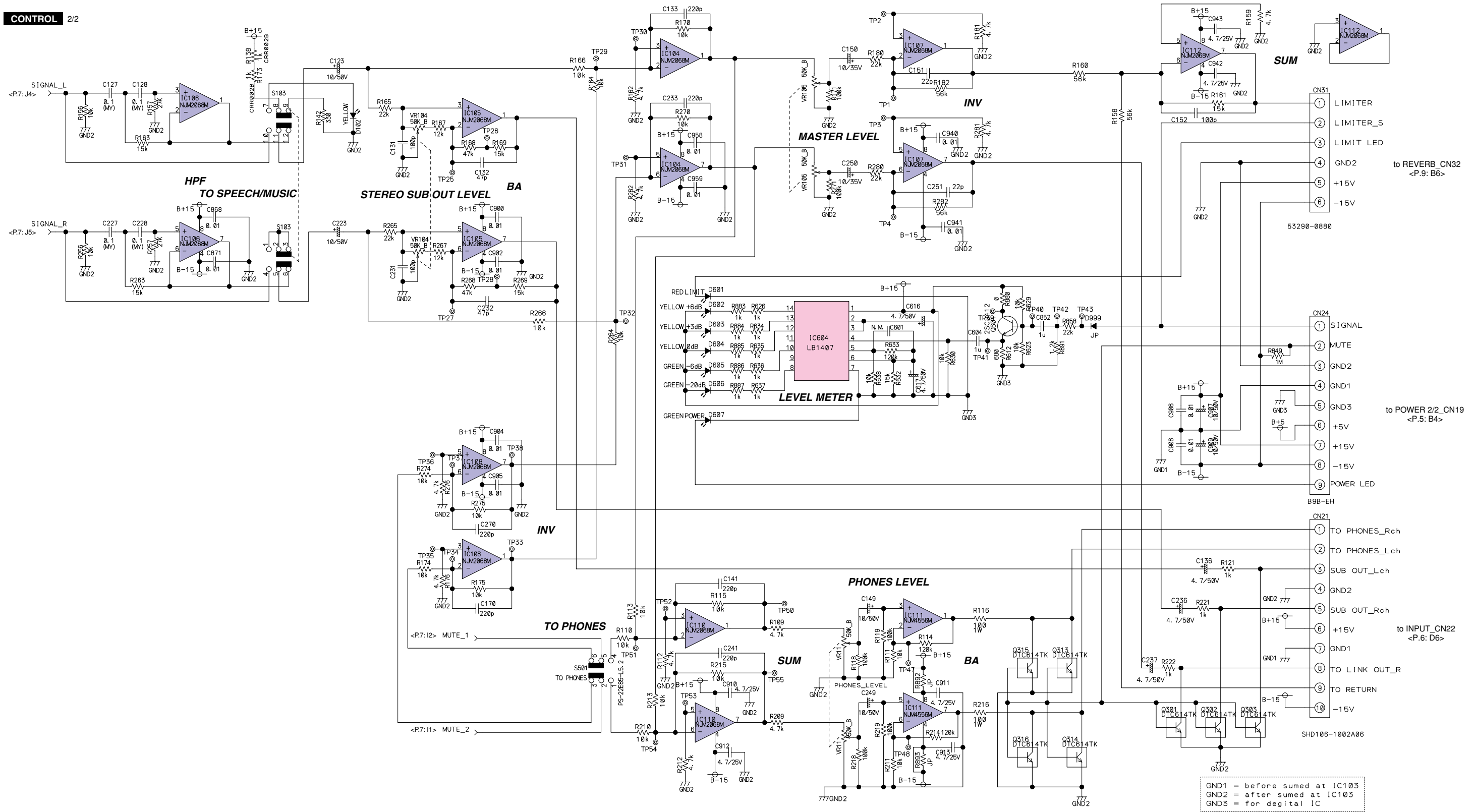
# CIRCUIT DIAGRAM 4/7 (CONTROL 1/2)

CONTROL 1/2



**CIRCUIT DIAGRAM 5/7 (CONTROL 2/2)**

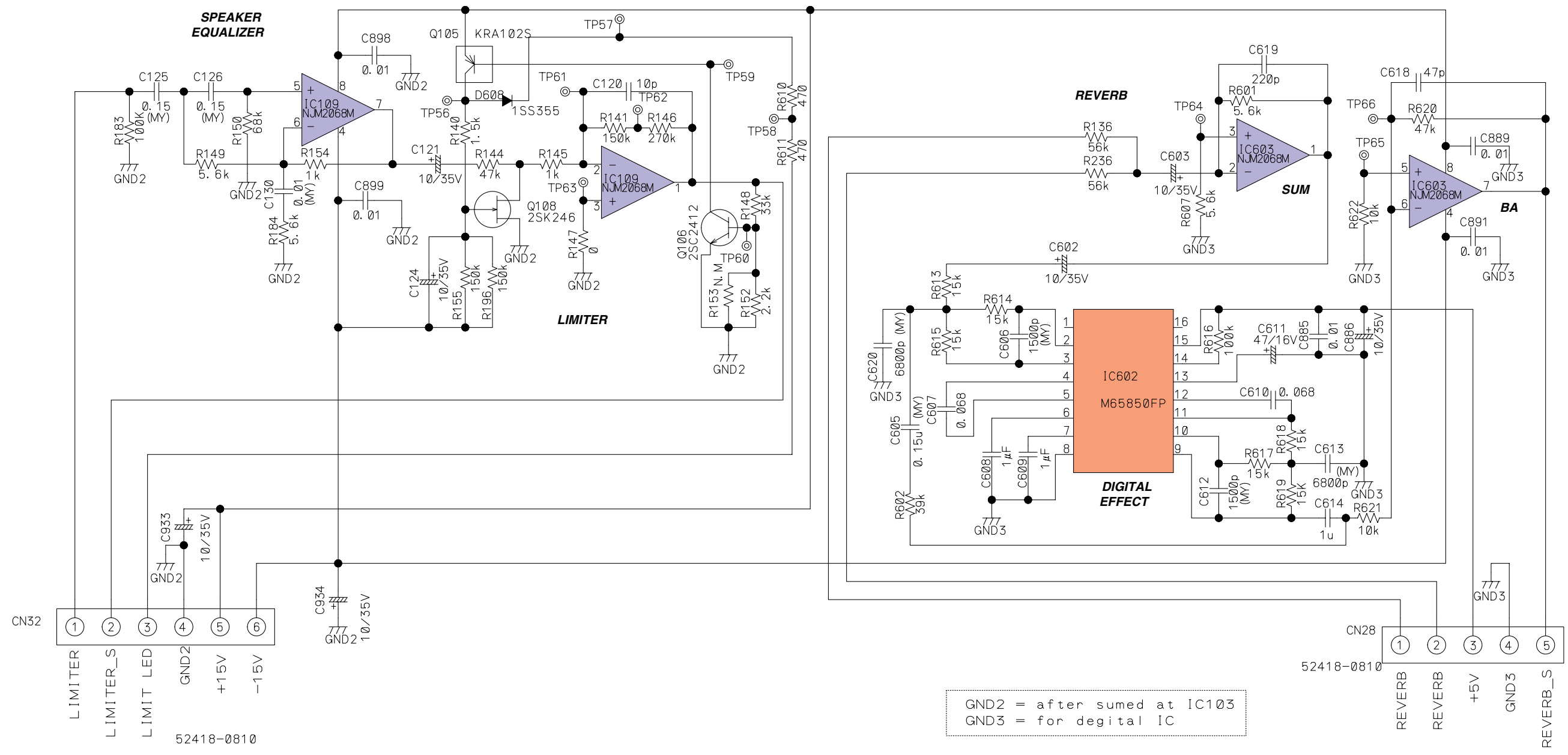
CONTROL 2/2



GND1 = before summed at IC103  
 GND2 = after summed at IC103  
 GND3 = for digital IC

# 1 ■ CIRCUIT DIAGRAM 6/7 (REVERB)

## REVERB



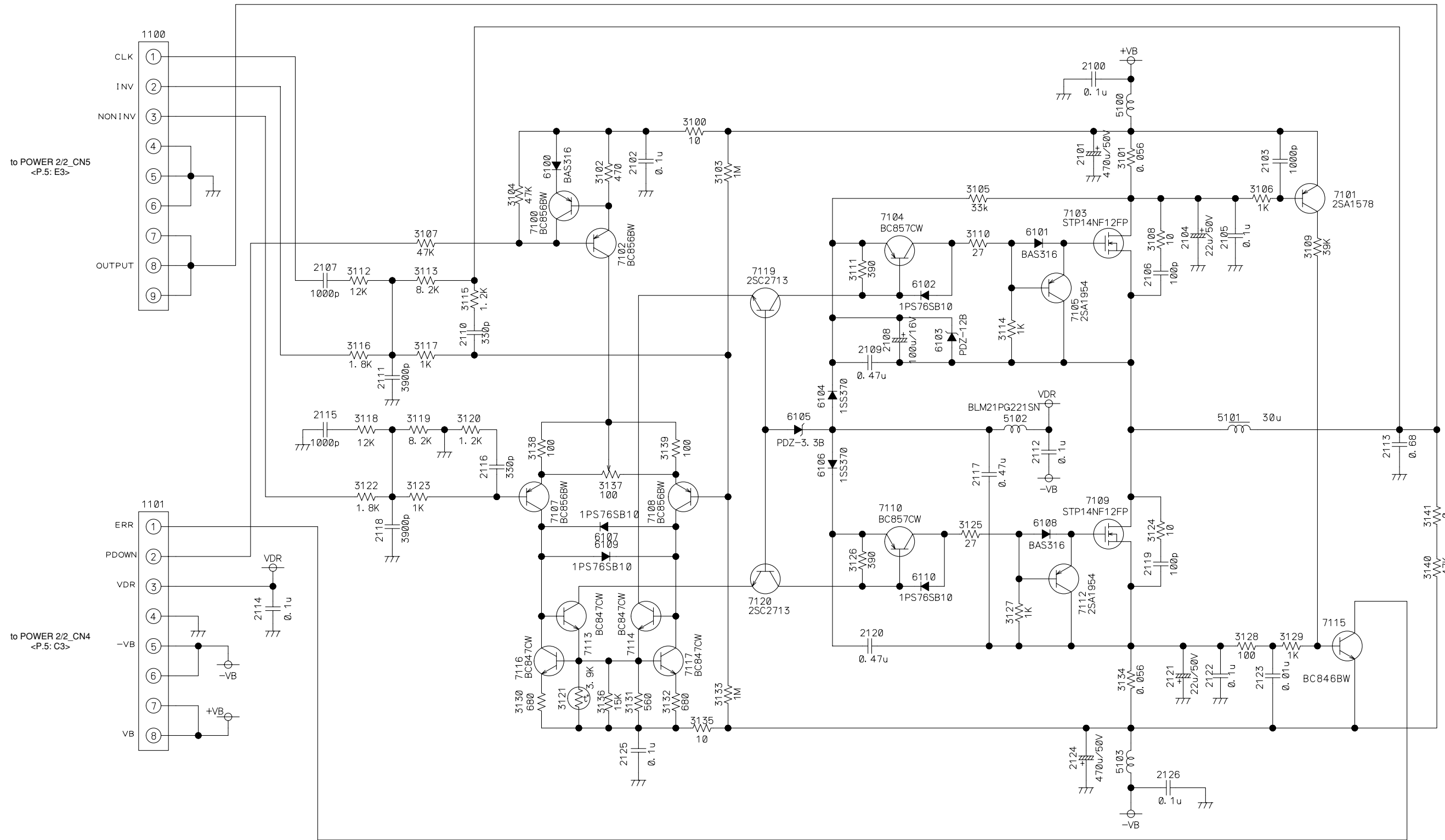
GND2 = after summed at IC103  
 GND3 = for digital IC

to CONTROL 2/2\_CN31  
 <P.8: J2>

to CONTROL 1/2\_CN27  
 <P.7: I2>

# CIRCUIT DIAGRAM 7/7 (AMP)

AMP



S5012352-7

**PORTABLE PA SYSTEM**

**STAGEPAS 150M**

---

---