

POWER AMPLIFIER

XP7000/XP5000

SERVICE MANUAL



XP7000



XP5000

■ CONTENTS (目次)

SPECIFICATIONS (総合仕様)	3/5
MONITOR/REMOTE PIN LAYOUT (MONITOR/REMOTEピンレイアウト)	4/6
DIMENSIONS (寸法図)	7
PERFORMANCE GRAPHS (特性図)	7
PANEL LAYOUT (パネルレイアウト)	8
CIRCUIT BOARD LAYOUT & WIRING (ユニットレイアウト&結線図)	10
DISASSEMBLY PROCEDURES (分解手順)	16
IC BLOCK DIAGRAM (ICブロック図)	23
CIRCUIT BOARDS (シート基板図)	24
INSPECTIONS (検査)	36/42
PS CIRCUIT BOARD REPAIR GUIDE (PSシート故障修理ガイド)	48/56
PARTS LIST	
IC & DIODE OUTSIDE FIGURE (外形図)	
BLOCK DIAGRAM (ブロックダイアグラム)	
WIRING DIAGRAM (基板結線図)	
CIRCUIT DIAGRAM (回路図)	

ECO-PULP



このサービスマニュアルはエコパルプ
エコパルプ (ECF: 無塩素系漂白パルプ) を使用しています。
This document is printed on chlorine free (ECF) paper.

PA 011812

XP7000: 200512-281400
XP5000: 200512-239400



HAMAMATSU, JAPAN

IMPORTANT NOTICE

This manual has been provided for the use of authorized Yamaha Retailers and their service personnel. It has been assumed that basic service procedures inherent to the industry, and more specifically Yamaha Products, are already known and understood by the users, and have therefore not been restated.

WARNING: Failure to follow appropriate service and safety procedures when servicing this product may result in personal injury, destruction of expensive components and failure of the product to perform as specified. For these reasons, we advise all Yamaha product owners that all service required should be performed by an authorized Yamaha Retailer or the appointed service representative.

IMPORTANT: This presentation or sale of this manual to any individual or firm does not constitute authorization, certification, recognition of any applicable technical capabilities, or establish a principal-agent relationship of any form.

The data provided is believed to be accurate and applicable to the unit (s) indicated on the cover. The research engineering, and service departments of Yamaha are continually striving to improve Yamaha products. Modifications are, therefore, inevitable and changes in specification are subject to change without notice or obligation to retrofit. Should any discrepancy appear to exist, please contact the distributor's Service Division.

WARNING: Static discharges can destroy expensive components. Discharge any static electricity your body may have accumulated by grounding yourself to the ground bus in the unit (heavy gauge black wire connect to this bus).

IMPORTANT: Turn the unit OFF during disassembly and parts replacement. Recheck all work before you apply power to the unit.

WARNING: CHEMICAL CONTENT NOTICE!

The solder used in the production of this product contains LEAD. In addition, other electrical/electronic and/or plastic (Where applicable) components may also contain traces of chemicals found by the California Health and Welfare Agency (and possibly other entities) to cause cancer and/or birth defects or other reproductive harm.

DO NOT PLACE SOLDER, ELECTRICAL/ELECTRONIC OR PLASTIC COMPONENTS IN YOUR MOUTH FOR ANY REASON WHATSOEVER!

Avoid prolonged, unprotected contact between solder and your skin! When soldering, do not inhale solder fumes or expose eyes to solder/flux vapor!

If you come in contact with solder or components located inside the enclosure of this product, wash your hands before handling food.

IMPORTANT NOTICE FOR THE UNITED KINGDOM

Connecting the Plug and Cord

WARNING: THIS APPARATUS MUST BE EARTHED


IMPORTANT: The wires in this mains lead are coloured in accordance with the following code:

GREEN-AND-YELLOW: EARTH

BLUE: NEUTRAL

BROWN: LIVE

As the colours of the wires in the mains lead of this apparatus may not correspond with the coloured markings identifying the terminals in your plug proceed as follows:


The wire which is coloured GREEN-and-YELLOW must be connected to the terminal in the plug which is marked by the letter E or by the safety earth symbol  or colored GREEN or GREEN-and-YELLOW.


The wire which is coloured BLUE must be connected to the terminal which is marked with the letter N or coloured BLACK.

The wire which is coloured BROWN must be connected to the terminal which is marked with the letter L or coloured RED.

- This applies only to products distributed by Yamaha-Kemble Music (U.K.) Ltd. (3 wires)

■ WARNING

Components having special characteristics are marked  and must be replaced with parts having specification equal to those originally installed.

 印の部品は、安全を維持するために重要な部品です。交換する場合は、安全のために必ず指定の部品をご使用ください。

SPECIFICATIONS

XP7000				120V (U/T)	230V (H/B/K/O)	240V (A)
Output Power	1kHz THD+N=1%	8ohms/STEREO	MIN	750W + 750W	750W + 750W	750W + 750W
		4ohms/STEREO		1100W + 1100W	1100W + 1100W	1100W + 1100W
	8ohms/BRIDGE	2200W		2200W	2200W	
	20Hz - 20kHz THD+N=1%	8ohms/STEREO		700W + 700W	650W + 650W	700W + 700W
		4ohms/STEREO		950W + 950W	950W + 950W	950W + 950W
	70V/STEREO RL=8ohms	625W + 625W		625W + 625W	625W + 625W	
	1kHz 20mS nonclip	2ohms/STEREO		1900W	1900W	1900W
		4ohms/BRIDGE		1600W + 1600W	1600W + 1600W	1600W + 1600W
				3200W	3200W	3200W
SN Ratio	20Hz - 20kHz	(DIN AUDIO)	MIN	104dB		
Power Consumption	Standby/Idle			5W/35W		
	1/8 (4ohms/Pink noise)			650W	650W	650W
XP5000				120V (U/T)	230V (H/B/K/O)	240V (A)
Output Power	1kHz THD+N=1%	8ohms/STEREO	MIN	525W + 525W	525W + 525W	525W + 525W
		4ohms/STEREO		750W + 750W	750W + 750W	750W + 750W
	8ohms/BRIDGE	1500W		1500W	1500W	
	20Hz - 20kHz THD+N=1%	8ohms/STEREO		500W + 500W	500W + 500W	500W + 500W
		4ohms/STEREO		700W + 700W	700W + 700W	700W + 700W
	8ohms/BRIDGE	1400W		1400W	1400W	
	1kHz 20mS nonclip	2ohms/STEREO		1300W + 1300W	1300W + 1300W	1300W + 1300W
		4ohms/BRIDGE		2600W	2600W	2600W
				2600W	2600W	2600W
SN Ratio	20Hz - 20kHz	(DIN AUDIO)	MIN	103dB		
Power Consumption	Standby/Idle			5W/35W		
	1/8 (4ohms/Pink noise)			500W	500W	500W
All Models						
Power Bandwidth	Half Power, THD+N=0.5%	MIN	10Hz - 40kHz			
THD+N	20Hz - 20kHz, Half Power	MAX	0.1%			
Intermodulation Distortion	60Hz:7kHz, 4:1, Half Power	MAX	0.1%			
Frequency Response	RL=8ohms, Po=1W, HPF=OFF 20Hz - 50kHz	MAX	0dB			
		TYP	0dB			
		MIN	-1dB			
Channel Separation	Half Power, RL=8ohms, 1kHz, Att. Max, input 600ohms shunt	MIN	70dB			
Residual Noise	20Hz - 20kHz, Att. Min, (DIN AUDIO)	MAX	-70dBu			
Damping Factor	RL=8ohms, 1kHz	MIN	350			
Voltage Gain	Att. Max	TYP	Selectable from 32dB or 26dB (or +4dBu input sensitivity) by GAIN switch			
Input Sensitivity (dBu)	Switch Position		XP7000		XP5000	
			+4dBu	+4	+4	
			26dB	+13.7	+12.2	
			36dB	+7.7	+6.2	
Maximum Input Voltage		MIN	+22dBu			
Input Impedance		TYP	20kohms (balanced), 10kohms (unbalanced)			
Controls	Front Panel	POWER switch (push on/push off)				
		Attenuator (31-position) x 2				
	Rear Panel	MODE switch (STEREO/BRIDGE/PARALLEL) x 1				
		HPF switch (20Hz/55Hz/OFF 12dB/oct) x 2 GAIN switch (32dB/26dB/+4dBu) x 1				
Connectors	Input	XLR-3-31 type/ch Euroblock connector (balanced) /ch				
	Output	SPEAKON /ch, 5 way binding post x 1				
	MONITOR/REMOTE	D-Sub 15 pin x 1				
Indicators	POWER/STANDBY	x 1 (Green/Orange)				
	SIGNAL	x 2 (Green)				
	CLIP	x 2 (Red)				
	PROTECTION	x 1 (Red)				
	TEMP	x 1 (Red) heatsink temp $\geq 85^{\circ}\text{C}$				
Load Protection	POWER switch on/off mute					
	DC-fault: power supply shutdown					
	Clip limiting: THD $\geq 0.5\%$					
Amplifier Protection	Thermal: cuts the output (heatsink temp $\geq 90^{\circ}\text{C}$) VI limiter (RL $\leq 1\text{ohm}$)					
Power Supply Protection	Thermal: power supply shutdown (heatsink temp $\geq 100^{\circ}\text{C}$)					
Cooling	Variable-speed fan x 2 Fan stops at heatsink temp $\leq 55^{\circ}\text{C}$					
Power Requirements			U/T	H/B/K/O	A	
			120V, 60Hz	230V, 50Hz	240V, 50Hz	

All Models		
Dimensions (W x H x D)	480 x 88 x 456 mm	
Weight	XP7000	XP5000
	14 kg	14 kg
Accessories	Security cover (with a hex wrench), Owner's Manual	

0dBu=0.775Vrms, Half Power=1/2 Output Power (3dB below rated power)

■ MONITOR/REMOTE PIN LAYOUT

Pin No.	Signal		Description
1	GND		
2	REMOTE CONTROL	STANDBY	STANDBY Control: Supply 5VDC, 5mADC
3	MONITOR	MODEL ID	1.0kohms (Impedance to GND)
4	REMOTE CONTROL	NC	
5		NC	
6		MUTE CH B	MUTE Control: Connected to GND, +5V, 1mA
7	MUTE CH A		
8	MONITOR	NC	
9		NC	
10		PROTECT STATUS CH B	PROTECTION Off/Output On: +5VDC, Zo=270ohms
11		PROTECT STATUS CH A	PROTECTION On/Output Off: 0VDC, Zo=High
12		NC	
13		NC	
14		OUTPUT LEVEL CH B	+4dBu (-27.2dB of Speaker Output Level) at 100W/8ohms, RL=7.5kohms, Zo=300ohms
15		OUTPUT LEVEL CH A	

■ 総合仕様

XP7000				100V (J)	
出力レベル	1kHz	8Ω/STEREO	MIN	750W + 750W	
		4Ω/STEREO		1100W + 1100W	
		8Ω/BRIDGE		2200W	
	20Hz~20kHz	8Ω/STEREO		700W + 700W	
		4Ω/STEREO		930W + 930W	
		70V/STEREO RL=8Ω		625W + 625W	
	1kHz	2Ω/STEREO		1860W	
		4Ω/BRIDGE		1400W + 1400W	
20mS nonclip	4Ω/BRIDGE	2800W			
SN比	20Hz~20kHz	(DIN AUDIO)	MIN	104dB	
消費電力	Standby/Idle			5W/35W	
	1/8(4Ω/ピンクノイズ)			650W	
XP5000				100V (J)	
出力レベル	1kHz	8Ω/STEREO	MIN	525W + 525W	
		4Ω/STEREO		750W + 750W	
		8Ω/BRIDGE		1500W	
	20Hz~20kHz	8Ω/STEREO		500W + 500W	
		4Ω/STEREO		700W + 700W	
		8Ω/BRIDGE		1400W	
	1kHz	2Ω/STEREO		1050W + 1050W	
		4Ω/BRIDGE		2100W	
20mS nonclip	4Ω/BRIDGE	103dB			
SN比	20Hz~20kHz	(DIN AUDIO)	MIN	103dB	
消費電力	Standby/Idle			5W/35W	
	1/8(4Ω/ピンクノイズ)			500W	
All Models					
出力帯域幅	Half Power、THD+N=0.5%	MIN	10Hz~40kHz		
THD+N	20Hz~20kHz、Half Power	MAX	0.1%		
混変調歪率	60Hz:7kHz、4:1、Half Power	MAX	0.1%		
周波数特性	RL=8Ω、Po=1W、HPF=OFF 20Hz~50kHz	MAX	0dB		
		TYP	0dB		
		MIN	-1dB		
チャンネル間セパレーション	Half Power、RL=8Ω、1kHz、 ボリューム最大、入力600Ωシャント	MIN	70dB		
残留ノイズ	20Hz~20kHz、ボリューム最小、 (DIN AUDIO)	MAX	-70dBu		
ダンピングファクター	RL=8Ω、1kHz	MIN	350		
ボルテージゲイン	ボリューム最大	TYP	32dBまたは26dB(または入力感度+4dBu)、GAINスイッチにより選択可		
入力感度 (dBu)	スイッチポジション	XP7000		XP5000	
		+4dBu	+4	+4	
		26dB	+13.7	+12.2	
		36dB	+7.7	+6.2	
最大電圧入力		MIN	+22dBu		
入力インピーダンス		TYP	20kΩ (バランス)、10kΩ (アンバランス)		
コントロール	フロントパネル	POWERスイッチ(プッシュオン/プッシュオフ) ボリューム(31ポジション) x 2			
	リアパネル	MODEスイッチ (STEREO/BRIDGE/PARALLEL) x 1 HPFスイッチ (20Hz/55Hz/OFF 12dB/oct) x 2 GAINスイッチ (32dB/26dB/+4dBu) x 1			
コネクター	入力	XLR-3-31端子(各チャンネル) ユーロブロックコネクター(バランス型)(各チャンネル)			
	出力	スピコン(各チャンネル)、5ウェイバインディングポスト x 1			
インジケータ	MONITOR/REMOTE	D-Sub 15ピン x 1			
	POWER/STANDBY	x 1(緑/橙)			
	SIGNAL	x 2(緑)			
	CLIP	x 2(赤)			
	PROTECTION	x 1(赤)			
ロードプロテクション	TEMP	x 1(赤) ヒートシンク温度 $\geq 85^{\circ}\text{C}$			
		POWERスイッチオン/オフ、ミュート DC検出: シャットダウン クリップリミット: THD $\geq 0.5\%$			
アンププロテクション		温度検出: ヒートシンク温度 $\geq 90^{\circ}\text{C}$ で出力カット VIリミッター (RL $\leq 1\Omega$)			
パワーサプライプロテクション		温度検出: ヒートシンク温度 $\geq 100^{\circ}\text{C}$ でシャットダウン			
クーリング		連続可変ファン x 2			
		ヒートシンク温度 $\leq 55^{\circ}\text{C}$ で停止			
電源		100V、50/60Hz			

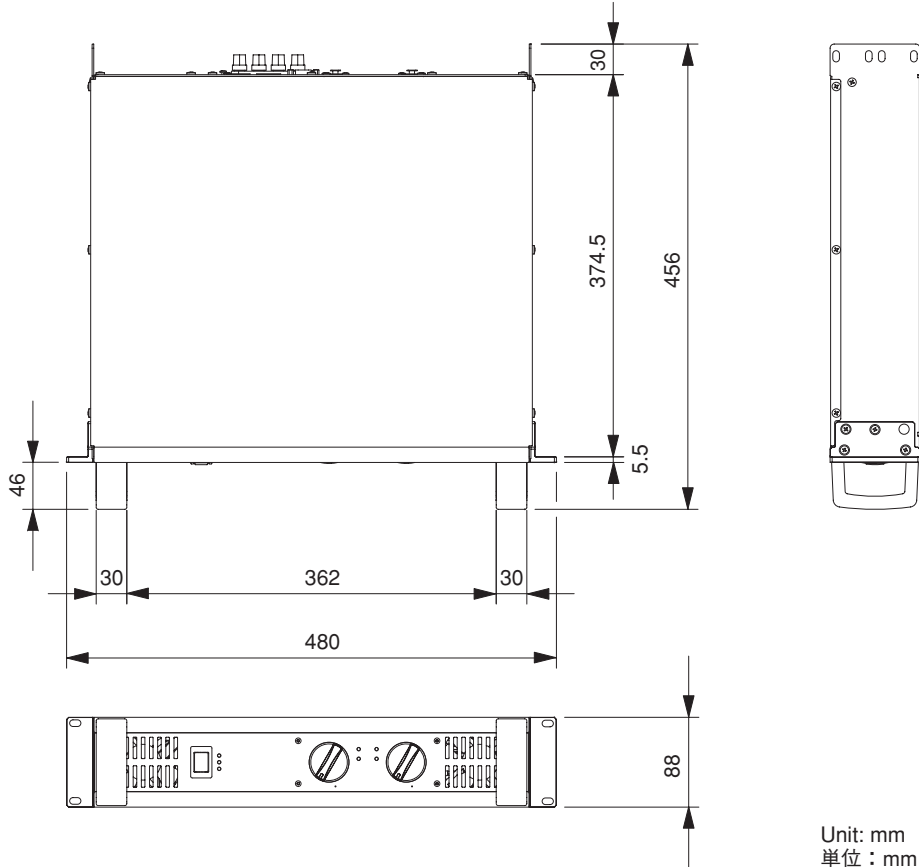
All Models		
最大外形寸法(W x H x D)	480 x 88 x 456 mm	
質量	XP7000	XP5000
	14 kg	14 kg
付属品	セキュリティーカバー(六角レンチを含む)、取扱説明書	

0dBu=0.775Vrms, Half Power=1/2 Output Power (3dB below rated power)

■ MONITOR/REMOTEピンレイアウト

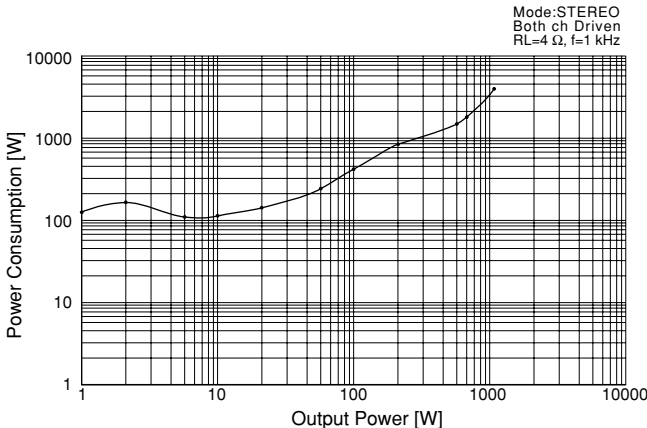
ピン番号	機能名称		仕様
1	GND		
2	REMOTE CONTROL	STANDBY	STANDBY Control : Supply 5VDC、5mA
3	MONITOR	MODEL ID	1.0kΩ (Impedance to GND)
4	REMOTE CONTROL	NC	
5		NC	
6		MUTE CH B	MUTE Control : Connected to GND、+5V、1mA
7	MUTE CH A		
8	MONITOR	NC	
9		NC	
10		PROTECT STATUS CH B	PROTECTION Off/Output On : +5VDC、Zo=270Ω
11		PROTECT STATUS CH A	PROTECTION On/Output Off : 0VDC、Zo=High
12		NC	
13		NC	
14		OUTPUT LEVEL CH B	+4dBu (-27.2dB of Speaker Output Level) at 100W/8Ω、RL=7.5kΩ、Zo=300Ω
15		OUTPUT LEVEL CH A	

DIMENSIONS (寸法図)

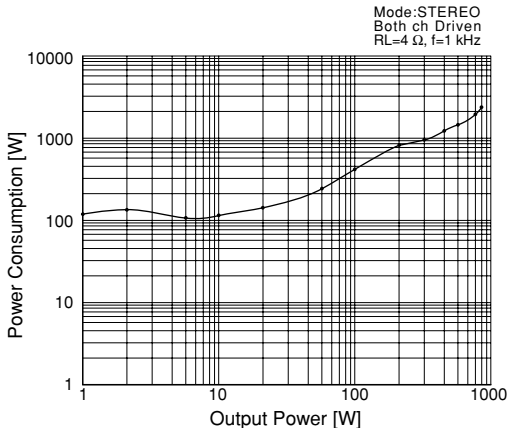


PERFORMANCE GRAPHS (特性図)

• XP7000

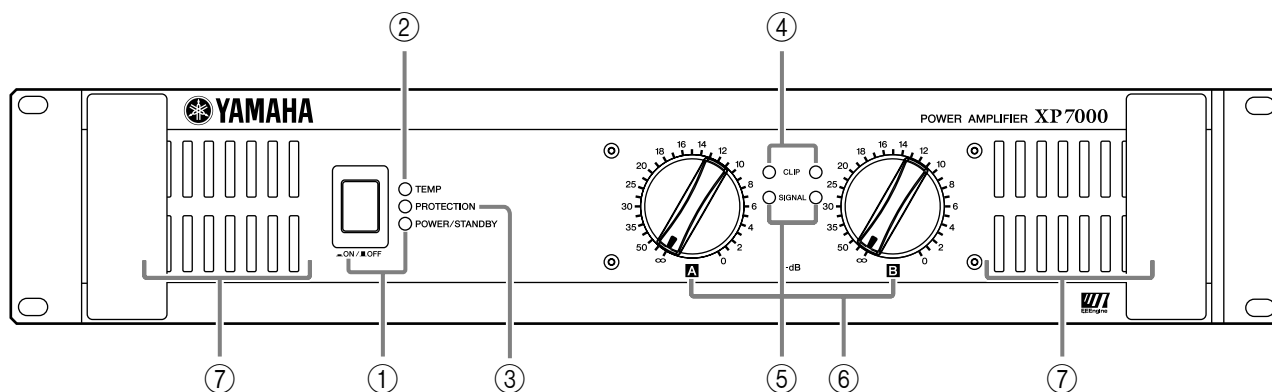


• XP5000



■ PANEL LAYOUT (パネルレイアウト)

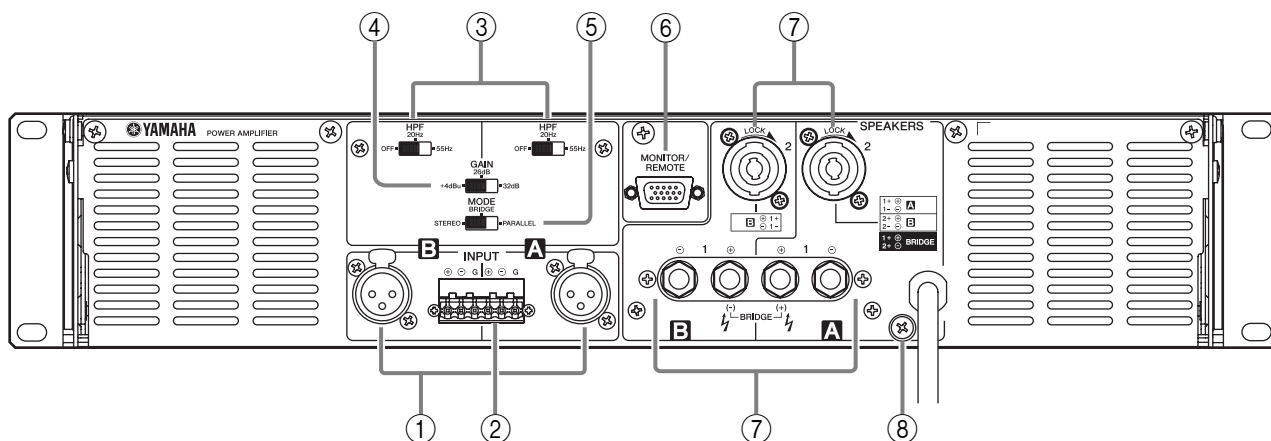
• Front Panel (フロントパネル)



- ① [POWER] switch and indicator
- ② [TEMP] indicator
- ③ [PROTECTION] indicator
- ④ [CLIP] indicator
- ⑤ [SIGNAL] indicator
- ⑥ Volume control knobs
- ⑦ Air intakes

- ① [POWER]スイッチ / インジケータ
- ② [TEMP]インジケータ
- ③ [PROTECTION]インジケータ
- ④ [CLIP]インジケータ
- ⑤ [SIGNAL]インジケータ
- ⑥ ボリューム
- ⑦ 吸気口

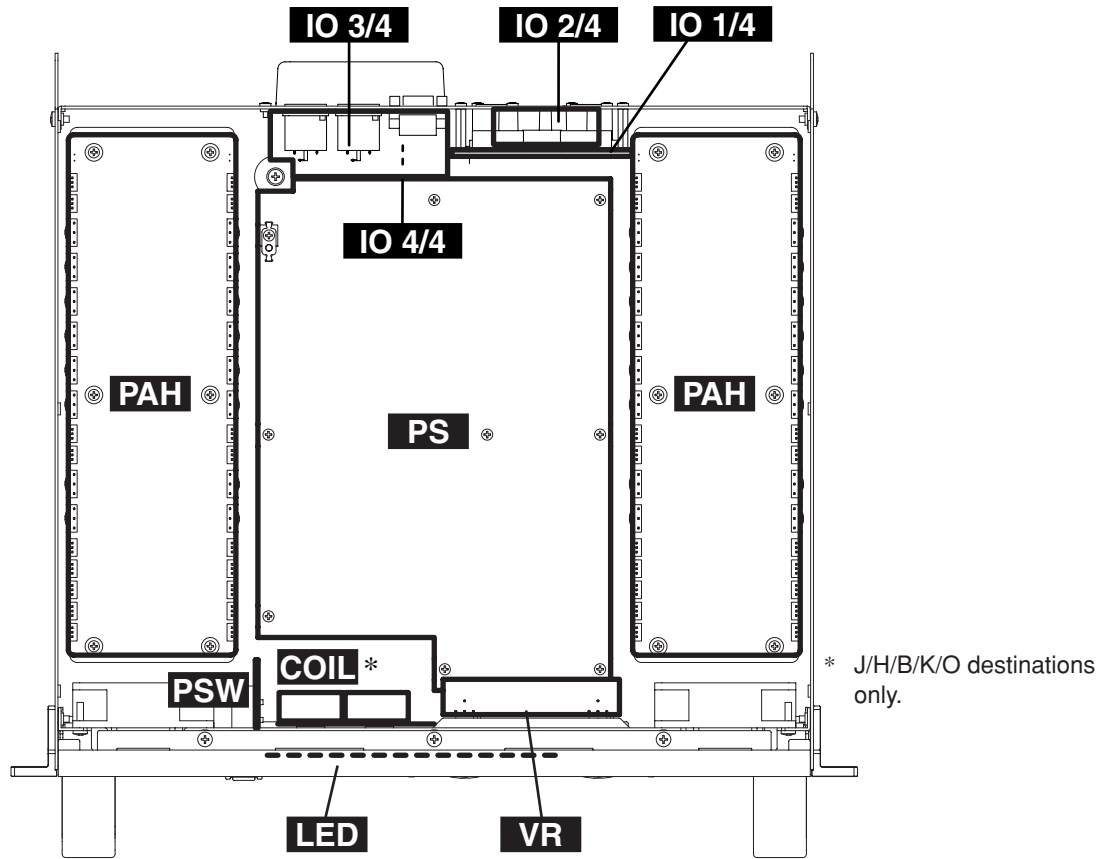
• Rear Panel (リアパネル)



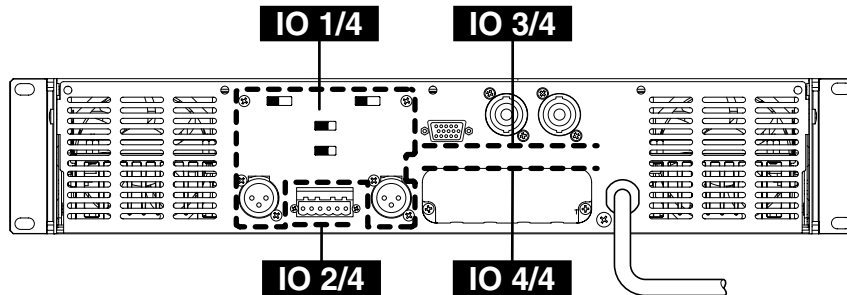
- ① XLR inputs connectors (One pair for each channel)
- ② Euroblock inputs connector
- ③ [HPF] switches (One pair for each channel)
- ④ [GAIN] switch
- ⑤ [MODE] switch
- ⑥ [MONITOR/REMOTE] terminal
- ⑦ [SPEAKERS] terminals
- ⑧ GND terminal

- ① XLR入力端子(チャンネルA、B)
- ② ユーロブロックコネクタ
- ③ [HPF]スイッチ(チャンネルA、B)
- ④ [GAIN]スイッチ
- ⑤ [MODE]スイッチ
- ⑥ [MONITOR/REMOTE]端子
- ⑦ [SPEAKERS]端子
- ⑧ GND端子

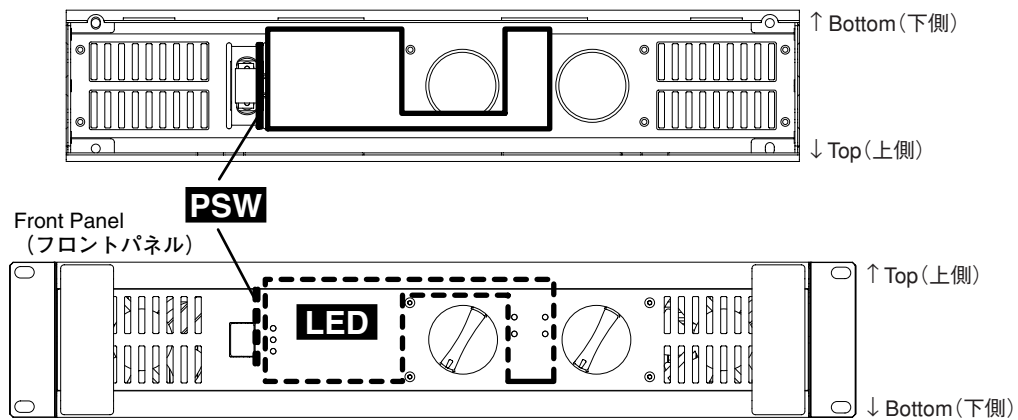
■ CIRCUIT BOARD LAYOUT&WIRING (ユニットレイアウト & 結線図)



Rear Panel (リアパネル)



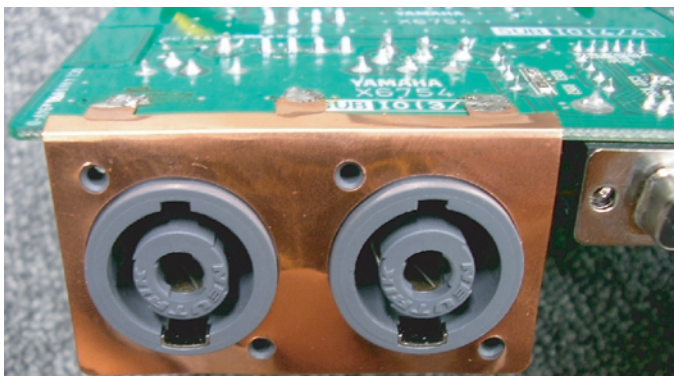
The figure which looked at the front panel from the inner side
(フロントパネルを内側から見た図)



• Detail drawing IO 3/4 (IO 3/4シートの詳細図)

* Attach earth film (WG463400) to speaker terminal SP301 and SP302 as follows.

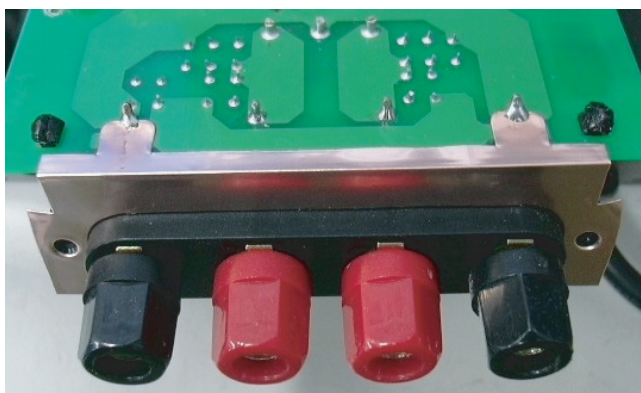
アースフィルム(WG463400)は下図のとおりスピーカー端子SP301およびSP302に装着します



• Detail drawing IO 4/4 (IO 4/4シートの詳細図)

* Attach earth film (WD494300) as follows and attached it to speaker terminal SP303.

アースフィルム(WD494300)は下図のとおり折り曲げて、スピーカー端子SP303に装着します



• Detail drawing ① ② (① ②部詳細図)

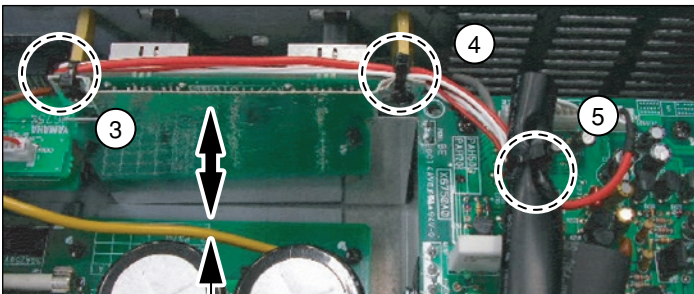


* Tie the following connector assemblies.

下記束線を束ねます

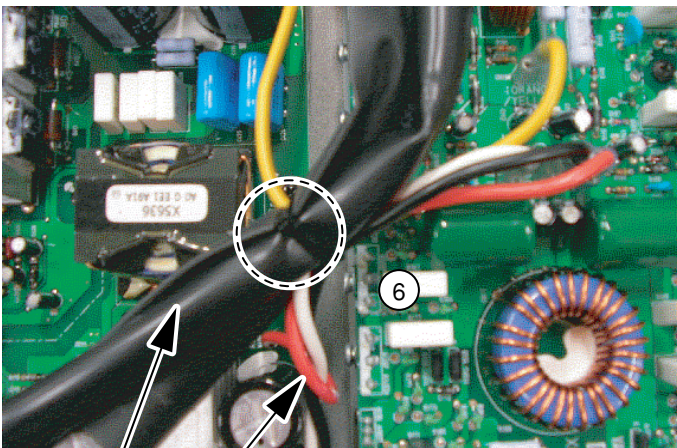
①	WF442700, WF442800, WF442900
②	WF442800, WF442900, WD360100 (W305) WD360100 (W305) should be crossed under the others. WD360100 (W305)は他の束線の下を交差させてください

• Detail drawing ③ ④ ⑤ (③ ④ ⑤部詳細図)



Keep connector assembly WD360900 (W306) as far away from IO 1/4 circuit board as possible.
束線WD360900 (W306) はできるだけIO 1/4シートから離してください

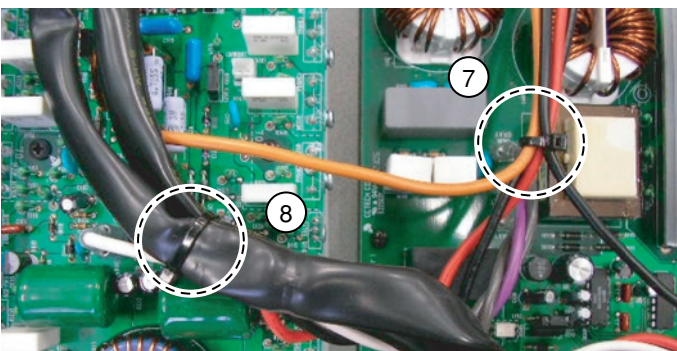
• Detail drawing ⑥ (⑥部詳細図)



Connector assemblies WD360300 (W406), WD360400 (W407) and WD360500 (W408) are twisted more than two rotations.
束線WD360300 (W306)、WD360400 (W407)、WD360500 (W408) は2回以上ツイストしてください

Keep three connector assemblies (WD359600, WF442900, WF442700) as far away from transformer (T402) as possible.
3つの束線 (WD359600、WF442900、WF442700) はできるだけトランス (T402) から離してください

• Detail drawing ⑦ ⑧ (⑦ ⑧部詳細図)



* Tie the following connector assemblies.
下記束線を束ねます

	Connector assembly WF442900 is tied to IO 1/4 circuit board with cord holder. Connector assembly is placed on a component side of the circuit board.
③	Each tie is laced through the hole on the circuit board and shield paper (WG46350).
④	束線WF442900はインシュロックタイを用いてIO 1/4シートに固定します 束線はシートの部品面側に固定します インシュロックタイは基板およびシールドペーパー (WG46350) にある穴を通します
⑤	WD359600, WF442700, WF442900

* WG46350 is not available as service parts.
WG46350はサービスパーツではありません

* Tie the following connector assemblies.
下記束線を束ねます

	WD359600, WF442900, WF442700, WD360900 (W306), WD360300 (W406), WD360400 (W407), WD360500 (W408)
⑥	WD359600 and WF442900 are laced through tube (CH00440). WD359600とWF442900はスミチューブ(CH00440)をとってください WD360900 (W306) should be crossed under the others. WD360900 (W306) は他の束線の下を交差させてください

* CH00440 is not available as service parts.
CH00440はサービスパーツではありません

* Tie the following connector assemblies.
下記束線を束ねます

⑦	WD361000 (W701), WD361100 (W702), WF444300 (W304), WD360100 (W305)
⑧	WD360000 (W401), WD360100 (W402), WD360200 (W403), WF442700, WF442800

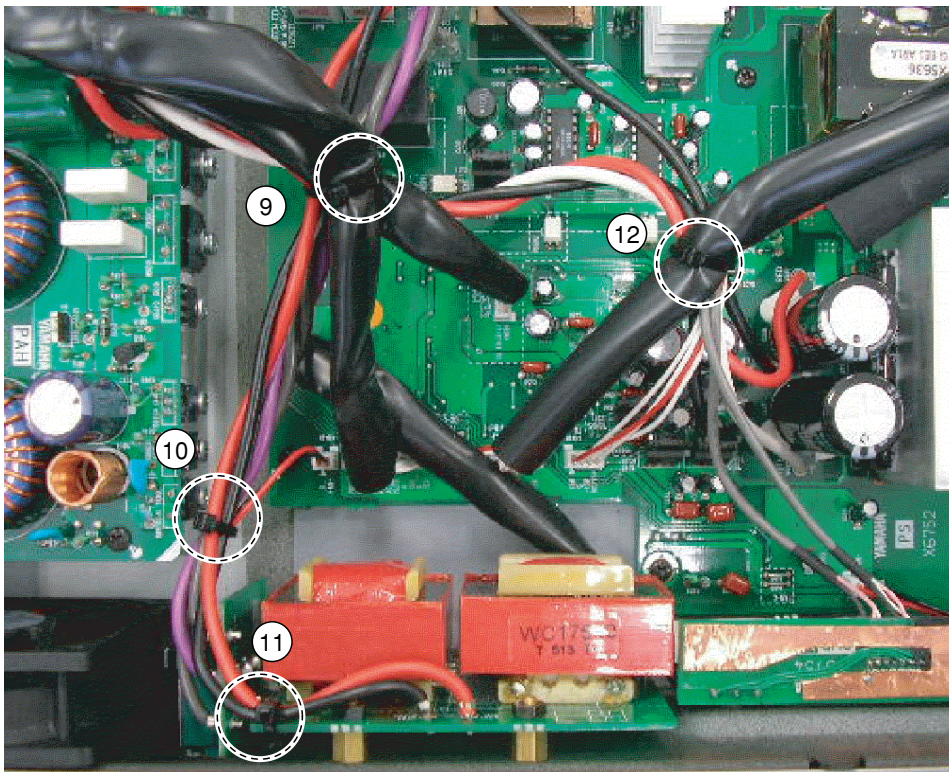
• **Detail drawing ⑨ ⑩ ⑪ ⑫ (⑨ ⑩ ⑪ ⑫部詳細図)**

* Tie the following connector assemblies.

下記束線を束ねます

⑨	WD360000 (W401), WD360100 (W402), WD360200 (W403), WF443200 (W309), WD361000 (W701), WD361100 (W702), WF443100 x 2 (W307, W308), WF442700, WF442800
	WF443100 x 2 (W307, W308) and WF443200 (W309) should be crossed under the others. WF443100 x 2 (W307、W308) および WF443200 (W309) は他の束線の下を交差させてください

⑫	WD359600, WF442900, WF442700, WD360000 (W401), WD360200 (W403), WD360100 x 2 (W305, W402)
	WD359600, WF442900 and WF442700 should be crossed over the others. WD359600、WF442900、WF442700は他の束線の上を交差させてください WD360100 (W305) should be crossed under the others. WD360100 (W305) は他の束線の下を交差させてください

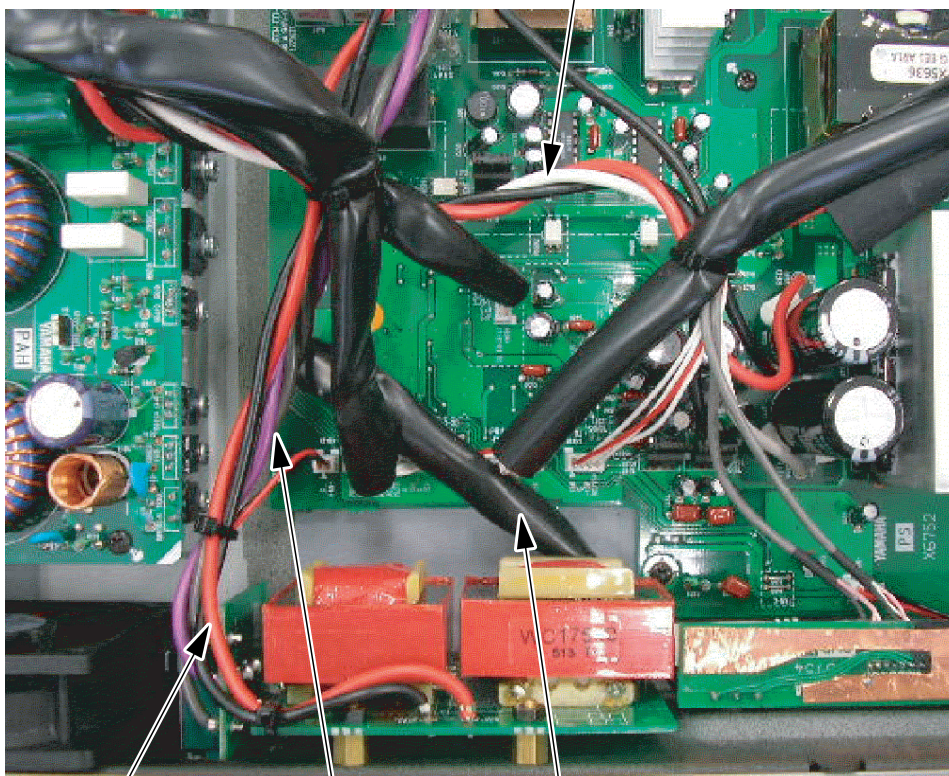


⑩	WF443100 x 2 (W307, W308), WF443200 (W309), WD361000 (W701), WD361100 (W702), FAN Lead Wiring
---	---

⑪	Connector assemblies WD361000 (W701) and WD361100 (W702) are tied to COIL circuit board with cord holder (J/H/B/K/O destinations). The cord holder is laced through the hole on the circuit board. 束線WD361000 (W701) とWD361100 (W702) はインシュロックタイ (J/H/B/K/O仕向) を用いてCOILシートに固定します。インシュロックタイは基板にある穴を通します
---	---

Connector assemblies WD360000 (W401), WD360100 (W402), and WD360200 (W403) are twisted more than two rotations.

束線WD360000 (W401)、WD360100 (W402)、WD360200 (W403) は2回以上ツイストしてください



Connector assemblies WD361000 (W701) and WD361100 (W702) are twisted more than two rotations.

束線WD361000 (W701) とWD361100 (W702) は3回以上ツイストしてください

Connector assembly WF872900 (W310) is located on the left side of WF442700 connected to CN411 and crossed under WF442700 connected to CN412.

束線WF872900 (W310) はCN411に接続されるWF442700の左側を通し、CN412に接続されるWF442700の下を通してください

Connector assemblies WD361000 (W701) and WD361100 (W702) are tied to COIL circuit board with cord holder. The cord holder is laced through the hole on the circuit board.

束線WD361000 (W701) とWD361100 (W702) はインシュロックタイを用いてCOILシートに固定します。インシュロックタイは基板にある穴を通します

■ DISASSEMBLY PROCEDURES (分解手順)

1. Rack Angle (Time required: about 1 min.)

- 1-1 Remove the three (3) screws marked [470] for each side. The rack angle can then be removed. (Fig. 1)

1. ラックアングル(所要時間：約1分)

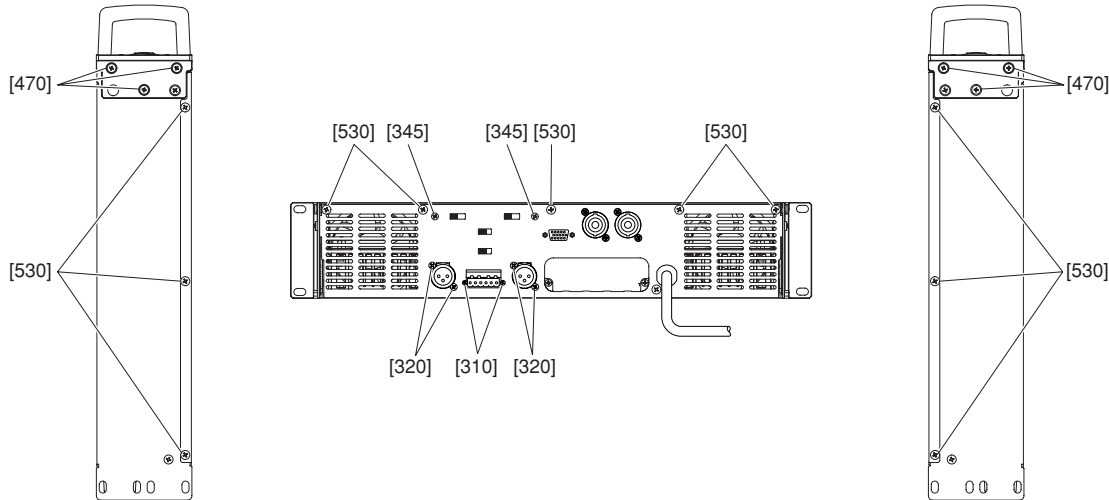
- 1-1 [470]のネジを左右3本ずつ外し、ラックアングルを外します。(Fig. 1)

2. Top Cover (Time required: about 2 min.)

- 2-1 Remove the eleven (11) screws marked [530]. The top cover can then be removed. (Fig. 1)

2. トップカバー(所要時間：約2分)

- 2-1 [530]のネジ11本を外し、トップカバーを外します。(Fig. 1)



[310]: Pan Head Screw 2.6X6 MFZN2B3 (WE986400) 小ネジ + PAN

[320]: Bonding Tapping Screw-B 3.0X10 MFZN2B3 (WE878000) Bタイト + BOND

[345]: Bind Head Tapping Screw-S 3.0X6 MFZN2B3 (WE877800) Sタイト + BIND

[470]: Bind Head Screw 4.0X10 MFZN2B3 (WE980400) 小ネジ + BIND

[530]: Bind Head Screw 4.0X8 MFZN2B3 (WE962000) Bタイト + BIND

(Fig. 1)

3. PA Unit (Time required: about 5 min.)

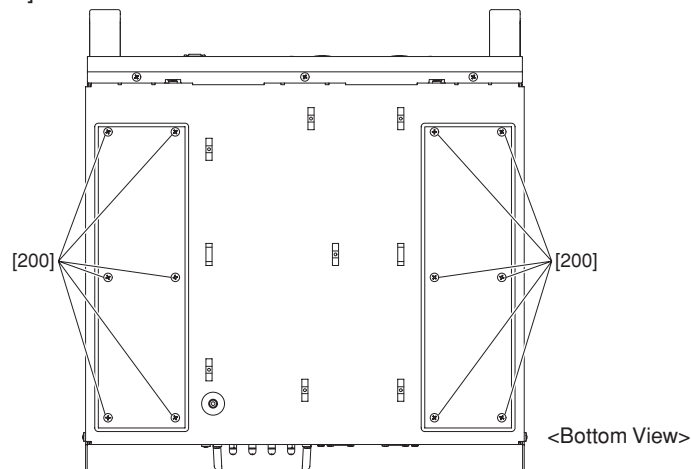
- 3-1 Remove the top cover. (See procedure 2.)
3-2 Remove the six (6) screws marked [200] for each side from the bottom. The PA units can then be removed. (Fig. 2)

3. PAユニット(所要時間：約5分)

- 3-1 トップカバーを外します。(2項参照)
3-2 本体の底面より[200]のネジを左右6本ずつ外し、各PAユニットを外します。(Fig. 2)

* Flat washers are attached between the main chassis and PA unit. Take care not to lose flat washers when removing screw marked [200].

* PAユニットとメインシャーシの間には平座金があります。[200]のネジを外すときは、平座金を紛失しないように注意してください。



[200]: Bind Head Screw 4.0X8 MFZN2B3 (WE962000) Bタイト + BIND

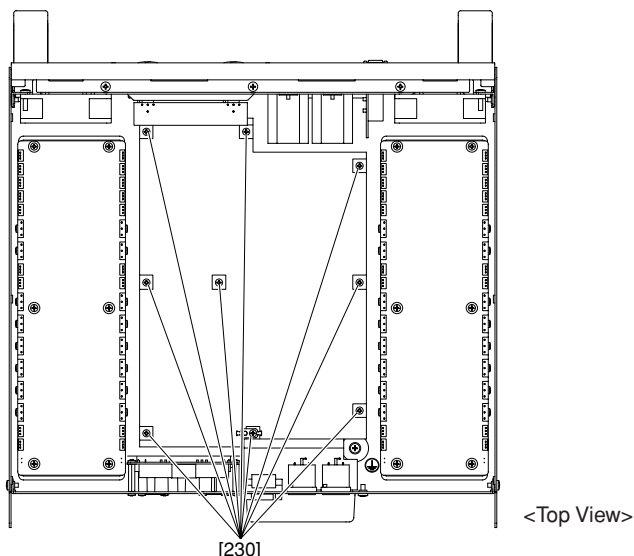
(Fig. 2)

4. PS Circuit Board (Time required: about 5 min.)

- 4-1 Remove the top cover. (See procedure 2.)
 4-2 Remove the nine (9) screws marked [230]. The PS circuit board can then be removed. (Fig. 3)

4. PSシート (所要時間：約5分)

- 4-1 トップカバーを外します。(2項参照)
 4-2 [230]のネジ9本を外し、PSシートを外します。(Fig. 3)



[230]: Bind Head Tapping Screw-S 3.0X6 MFZN2W3 (WE877900) Sタイト + BIND

(Fig. 3)

5. IO 1/4 Circuit Board (Time required: about 6 min.)

- 5-1 Remove the top cover. (See procedure 2.)
 5-2 Remove the two (2) screws marked [310], the four (4) screws marked [320] and the two (2) screws marked [345]. (Fig. 1)
 5-3 Remove the two (2) screws marked [340] to remove the two hexagonal spacers. (Fig. 4)
 5-4 Remove the solder of W302B on the IO 1/4 circuit board, or W302A on the IO 2/4 circuit board since the IO 1/4 circuit board and the IO 2/4 circuit board are connected with connector assembly W302. Also remove the solder of W301A on the IO 1/4 circuit board, or W301B on the IO 3/4 circuit board since the IO 1/4 circuit board and the IO 3/4 circuit board are connected with connector assembly W301. The IO 1/4 circuit board can then be removed.

- * When reinstalling the IO 1/4 circuit board, let the hooks of the XLR connectors out of the chassis at first, and inserts the jacks or switches into the holes on the chassis. (Fig. 5)
- * The IO 1/4 circuit board is not available as service parts individually.

5. IO 1/4シート (所要時間：約6分)

- 5-1 トップカバーを外します。(2項参照)
 5-2 [310]のネジ2本、[320]のネジ4本と[345]のネジ2本を外します。(Fig. 1)
 5-3 [340]のネジ2本を外し、六角スペーサーを外します。(Fig. 4)
 5-4 IO 1/4シートとIO 2/4シートは束線W302で接続されていますので、IO 1/4シート側端子W302B、またはIO 2/4シート側端子W302Aのハンダを外します。またIO 3/4シートと束線W301で接続されていますので、IO 1/4シート側端子W301A、またはIO 3/4シート側端子W301Bのハンダを外します。IO 1/4シートを外せます。

- * IO 1/4シートを再度取り付けるときは、キャノンタイプコネクタのツメをシャーシの外側に出した後、ジャックやスイッチをシャーシの穴に通します。(Fig. 5)
- * IO 1/4シート単体はサービスパーツではありません。

6. IO 2/4 Circuit Board (Time required: about 6 min.)

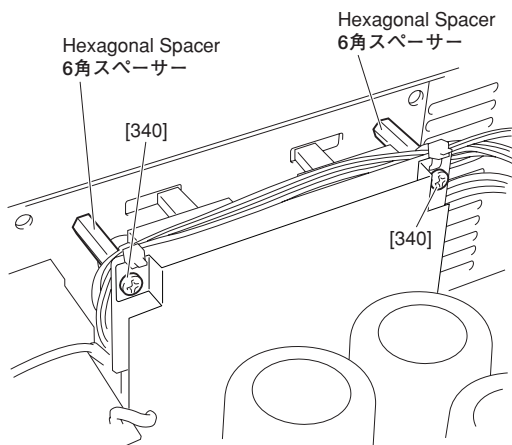
- 6-1 Remove the top cover. (See procedure 2.)
 6-2 Remove the IO 1/4 circuit board. (See procedure 5.)
 6-3 Remove the solder of W302A on the IO 2/4 circuit board, or W302B on the IO 1/4 circuit board since the IO 2/4 circuit board and the IO 1/4 circuit board are connected with connector assembly W302. The IO 2/4 circuit board can then be removed.

- * The IO 2/4 circuit board is not available as service parts individually.

6. IO 2/4シート (所要時間：約6分)

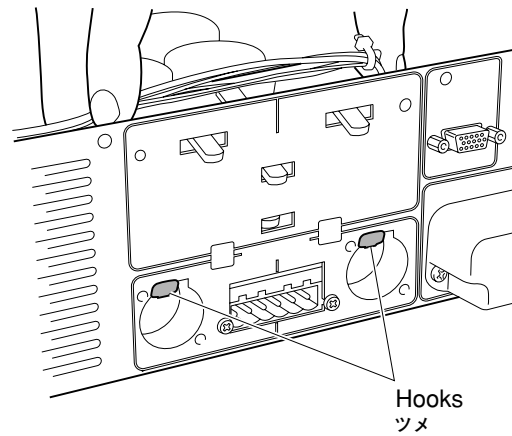
- 6-1 トップカバーを外します。(2項参照)
 6-2 IO 1/4シートを外します。(5項参照)
 6-3 IO 2/4シートとIO 1/4シートは束線W302で接続されていますので、IO 2/4シート側端子W302A、またはIO 1/4シート側端子W302Bのハンダを外します。IO 2/4シートを外せます。

- * IO 2/4シート単体はサービスパーツではありません。



[340]: Bind Head Tapping Screw-S 3.0X6 MFZN2W3 (WE877900)
Sタイト + BIND

(Fig. 4)



(Fig. 5)

7. IO 3/4 Circuit Board (Time required: about 4min.)

- 7-1 Remove the top cover. (See procedure 2.)
- 7-2 Remove the two (2) hexagonal locked spacers. (Fig. 6)
- 7-3 Remove the four (4) screws marked [360]. (Fig. 6)
- 7-4 Remove the solder of W301B on the IO 3/4 circuit board, or W301A on the IO 1/4 circuit board since the IO 3/4 circuit board and the IO 1/4 circuit board are connected with connector assembly W301. Also remove the solder of W303A on the IO 3/4 circuit board, or W303B on the IO 4/4 circuit board since the IO 3/4 circuit board and the IO 4/4 circuit board are connected with connector assembly W303. The IO 3/4 circuit board can then be removed.

* The IO 3/4 circuit board is not available as service parts individually.

8. IO 4/4 Circuit Board (Time required: about 5 min.)

- 8-1 Remove the top cover. (See procedure 2.)
- 8-2 Remove the IO 3/4 circuit board. (See procedure 6.)
- 8-3 Remove the two (2) screws marked [550].
Remove the speaker terminal cover. (Fig. 6)
- 8-4 Remove the two (2) screws marked [350]. (Fig. 7)
- 8-5 Remove the solder of W303B on the IO 4/4 circuit board, or W303A on the IO 3/4 circuit board since the IO 4/4 circuit board and the IO 3/4 circuit board are connected with connector assembly W303. The IO 4/4 circuit board can then be removed.

* The IO 4/4 circuit board is not available as service parts individually.

7. IO 3/4シート (所要時間：約4分)

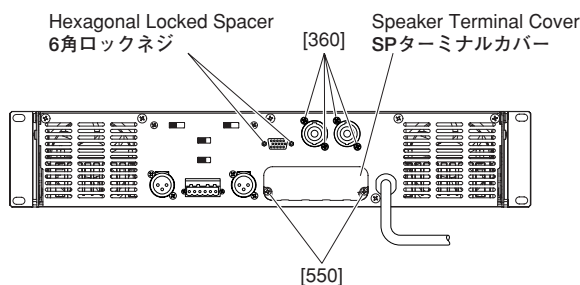
- 7-1 トップカバーを外します。(2項参照)
- 7-2 六角ロックネジ2本を外します。(Fig. 6)
- 7-3 [360]のネジ4本を外します。(Fig. 6)
- 7-4 IO 3/4シートとIO 1/4シートは束線W301で接続されていますので、IO 3/4シート側端子W301B、またはIO 1/4シート側端子W301Aのハンダを外します。またIO 4/4シートと束線W303で接続されていますので、IO 3/4シート側端子W303A、またはIO 4/4シート側端子W303Bのハンダを外します。IO 3/4シートを外せません。

* IO 3/4シート単体はサービスパーツではありません。

8. IO 4/4シート (所要時間：約5分)

- 8-1 トップカバーを外します。(2項参照)
- 8-2 IO 3/4シートを外します。(7項参照)
- 8-3 [550]のネジ2本を外し、SPターミナルカバーを外します。(Fig. 6)
- 8-4 [350]のネジ2本を外します。(Fig. 7)
- 8-5 IO 4/4シートとIO 3/4シートは束線W303で接続されていますので、IO 4/4シート側端子W303B、またはIO 3/4シート側端子W303Aのハンダを外します。IO 4/4シートを外せません。

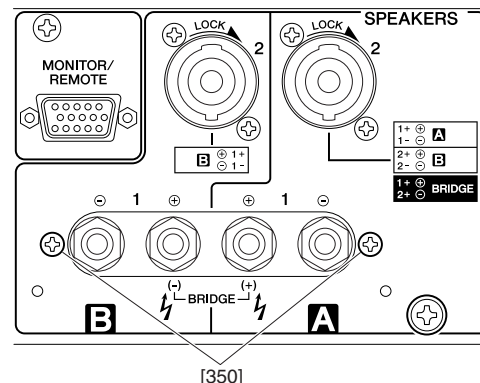
* IO 4/4シート単体はサービスパーツではありません。



[360]: Flat Head Tapping Screw-B 3.0X8 MFZN2B3 (WF266800)
Bタイト + FLAT

[550]: Bind Head Tapping Screw-S 3.0X6 MFZN2B3 (WE877800)
Sタイト + BIND

(Fig. 6)

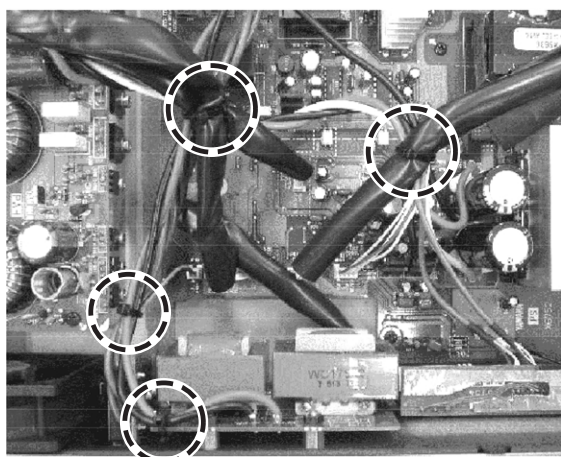


[350]: Bonding Tapping Screw-B 3.0X10 MFZN2B3 (WE878000)
Bタイト + BOND

(Fig. 7)

9. Front Panel Unit (Time required: about 5 min.)

- 9-1 Remove the rack angle. (See procedure 1.)
- 9-2 Remove the top cover. (See procedure 2.)
- 9-3 Cut cord holder (4 point) of the connector assembly. (Fig. 8)
- 9-4 Remove the six (6) screws marked [450]. (Fig. 9)
- 9-5 Draws out the front panel unit.

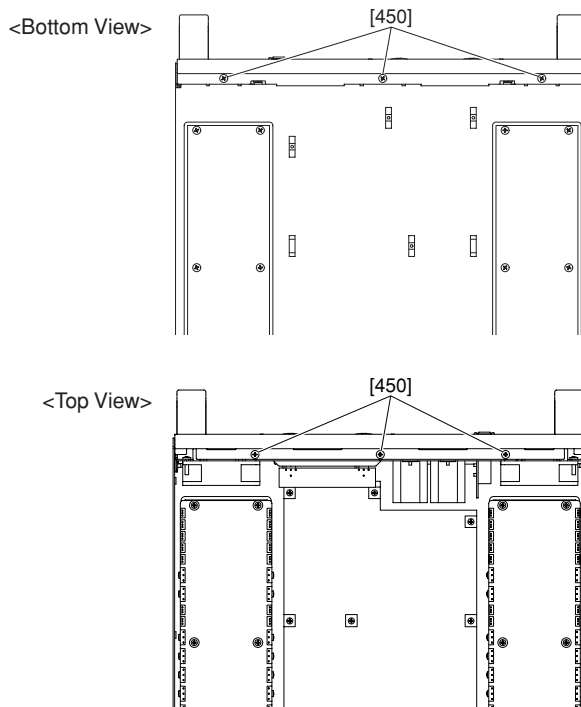


Front Panel side (フロントパネル側)

(Fig. 8)

9. フロントパネル部 (所要時間：約5分)

- 9-1 ラックアングルを外します。(1項参照)
- 9-2 トップカバーを外します。(2項参照)
- 9-3 束線のインシュロックタイ(4箇所)を切断します。(Fig. 8)
- 9-4 [450]のネジ6本を外します。(Fig. 9)
- 9-5 フロントパネル部を前方へ引き出します。

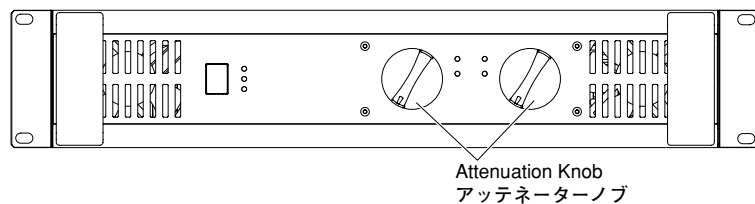


[450]: Bind Head Screw 4X8 MFZN2B3 (WE962000)
Bタイト + BIND

(Fig. 9)

10. VR Circuit Board (Time required: about 6 min.)

- 10-1 Remove the front panel unit. (See procedure 9.)
- 10-2 Remove the attenuation knobs. (Fig. 10)
- 10-3 Remove the two (2) hexagonal nuts.
The VR circuit board can then be removed. (Fig. 11)

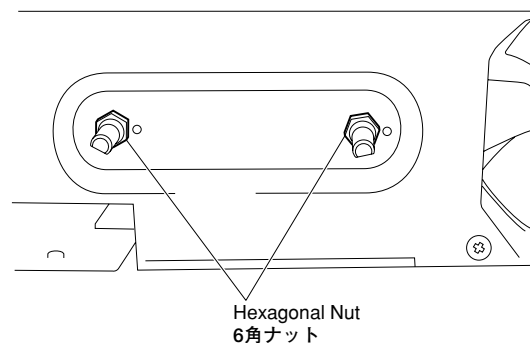


Attenuation Knob
アッテネーターノブ

(Fig. 10)

10. VRシート (所要時間：約6分)

- 10-1 フロントパネル部を外します。(9項参照)
- 10-2 アッテネーターノブを外します。(Fig. 10)
- 10-3 六角ナット2個を外し、VRシートを外します。(Fig. 11)



Hexagonal Nut
六角ナット

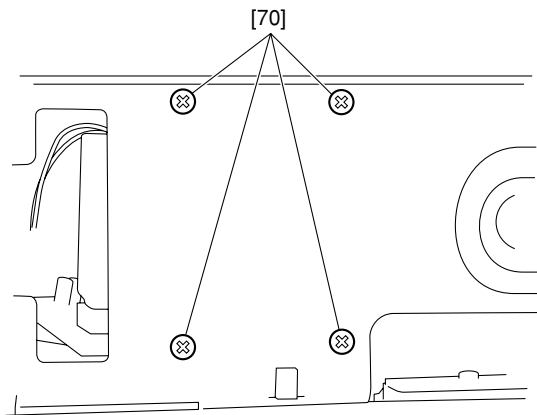
(Fig. 11)

11. COIL Circuit Board (Time required: about 7 min.)

<J/H/B/K/O destinations only>

- 11-1 Remove the front panel unit. (See procedure 9.)
- 11-2 Remove the PS circuit board. (See procedure 4.)
- 11-3 Remove the four (4) screws marked [70].
The COIL circuit board can then be removed. (Fig. 12)
- 11-4 Remove the four (4) hexagonal nuts.
The four (4) hexagonal spacers can then removed. (Fig. 13)

* When reinstalling the COIL circuit board, connect the red wire to PS-CN406 and the black wire to PS-CN415.



[70]: Bind Head Tapping Screw-S 3.0X6 MFZN2W3 (WE877900)
Sタイト + BIND

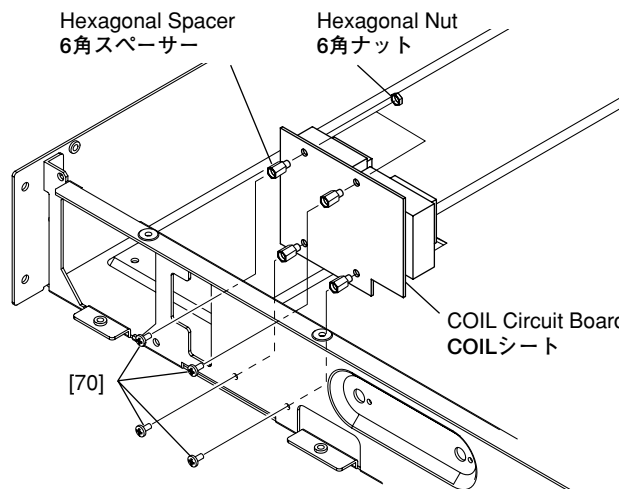
(Fig. 12)

11. COILシート (所要時間：約7分)

<J/H/B/K/O仕向のみ>

- 11-1 フロントパネル部を外します。(9項参照)
- 11-2 PSシートを外します。(4項参照)
- 11-3 [70]のネジ4本を外し、COILシートを外します。(Fig. 12)
- 11-4 六角ナット4個を外し、六角スペーサ4本を外します。(Fig. 13)

* コイルを再度取り付けるとき、コイルシートのワイヤー“赤”はPS-CN406、“黒”はPS-CN415へ接続してください。



[70]: Bind Head Tapping Screw-S 3.0X6 MFZN2W3 (WE877900)
Sタイト + BIND

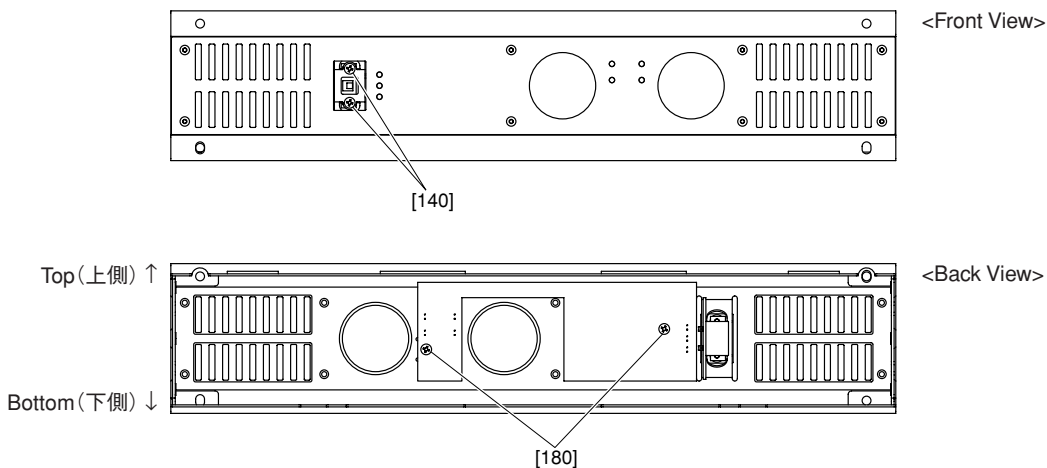
(Fig. 13)

12. LED Circuit Board (Time required: about 5min.)

- 12-1 Remove the front panel unit. (See procedure 9.)
- 12-2 Remove the two (2) screws marked [180].
The LED circuit board can then be removed. (Fig. 14)

12. LEDシート (所要時間：約5分)

- 12-1 フロントパネル部を外します。(9項参照)
- 12-2 [180]のネジ2本を外してLEDシートを外します。(Fig. 14)



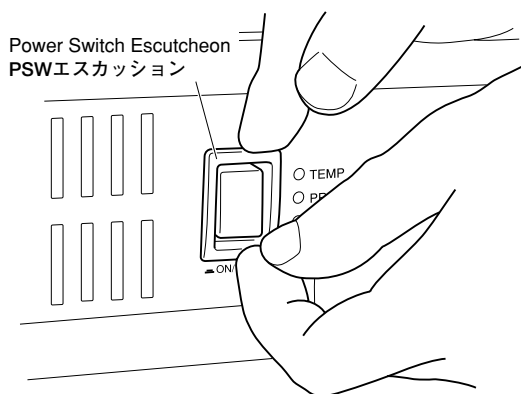
[140]: Bind Head Tapping Screw-S 3.0X6 MFZN2W3 (WE877900) Sタイト + BIND

[180]: Bind Head Tapping Screw-S 3.0X6 MFZN2W3 (WE877900) Sタイト + BIND

(Fig. 14)

13. PSW Circuit Board (Time required: about 10 min.)

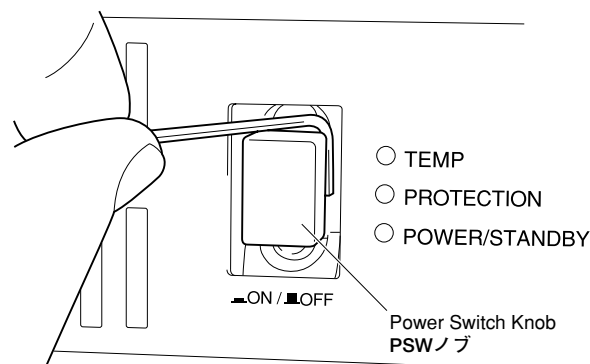
- 13-1 Remove the front panel unit. (See procedure 9.)
 13-2 Remove the power switch escutcheon. (Fig. 15)
 13-3 Press lightly from the panel back and remove the power switch knob.
 * When it is hard to remove the power switch knob, insert an L-shaped rod into the gap and pull out the knob as shown the illustration. (Fig. 16) Take care not to scratch to bruise a panel and a knob at this time.
 13-4 Remove the two (2) screws marked [140].
 The PSW circuit board can then be removed. (Fig. 14)
 * The PSW circuit board can be removed easily if you remove the front panel (2) beforehand. (See procedure 15.)



(Fig. 15)

13. PSWシート (所要時間：約10分)

- 13-1 フロントパネル部を外します。(9項参照)
 13-2 PSWエスカッションを外します。(Fig. 15)
 13-3 パネル裏面から軽く押し出してPSWノブを外します。
 * 外しにくいときは、図で示すように隙間からL型の棒などを挿入し、PSWノブを引き出して外します。(Fig. 16)このときパネルやノブへ傷をつけない様に注意してください。
 13-4 [140]のネジ2本を外し、PSWシートを外します。(Fig. 14)
 * フロントパネル2印刷を外しておく、簡単に取り外し作業が行えます。(15項参照)



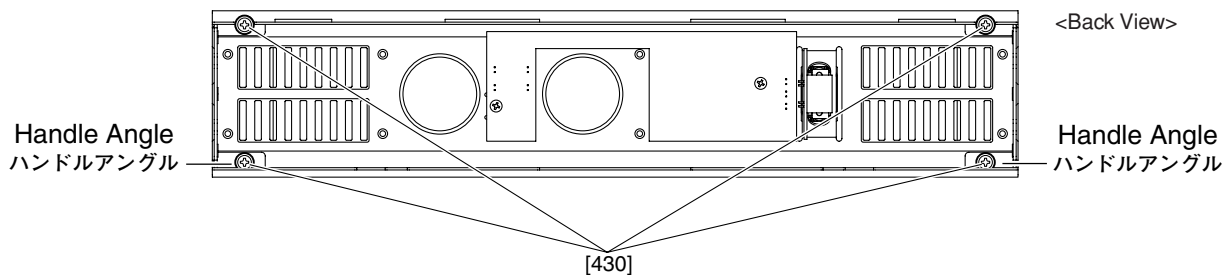
(Fig. 16)

14. Handle (Time required: about 6 min.)

- 14-1 Remove the front panel unit. (See procedure 9.)
 14-2 Remove the two (2) screws marked [430] for each side.
 The handles can then be removed. (Fig. 17)
 * The handle angle is removed simultaneously, at this time.

14. ハンドル (所要時間：約6分)

- 14-1 フロントパネル部を外します。(9項参照)
 14-2 [430]のネジを左右2本ずつ外し、ハンドルを外します。(Fig. 17)
 * この時、ハンドルアングルも同時に外れます。



[430]: Bind Head Screw 5.0X16 MFZN2W3 SP (WG168300) 小ネジ + BIND

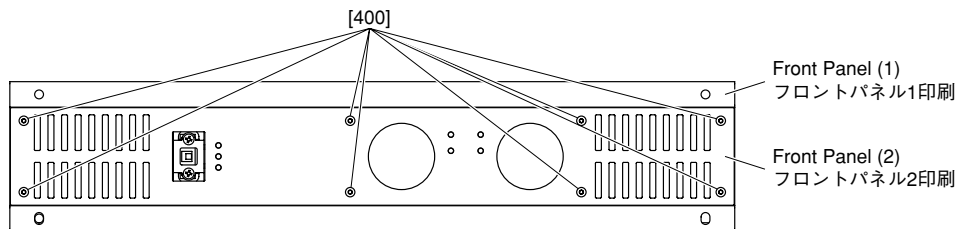
(Fig. 17)

15. Front Panel (Time required: about 8 min.)

- 15-1 Remove the front panel unit. (See procedure 9.)
- 15-2 Remove the handles. (See procedure 14.)
- 15-3 Remove the eight (8) screws marked [400].
The front panels can then be removed. (Fig. 18)

**15. フロントパネル1印刷、フロントパネル2印刷
(所要時間：約8分)**

- 15-1 フロントパネル部を外します。(9項参照)
- 15-2 ハンドルを外します。(14項参照)
- 15-3 [400]のネジ8本を外し、フロントパネル1印刷とフロントパネル2印刷を外します。(Fig. 18)



[400]: Hex Socket Set Screw-S 3.0X10 MFZN2B3 (WF419400) Sタイト六角孔付き

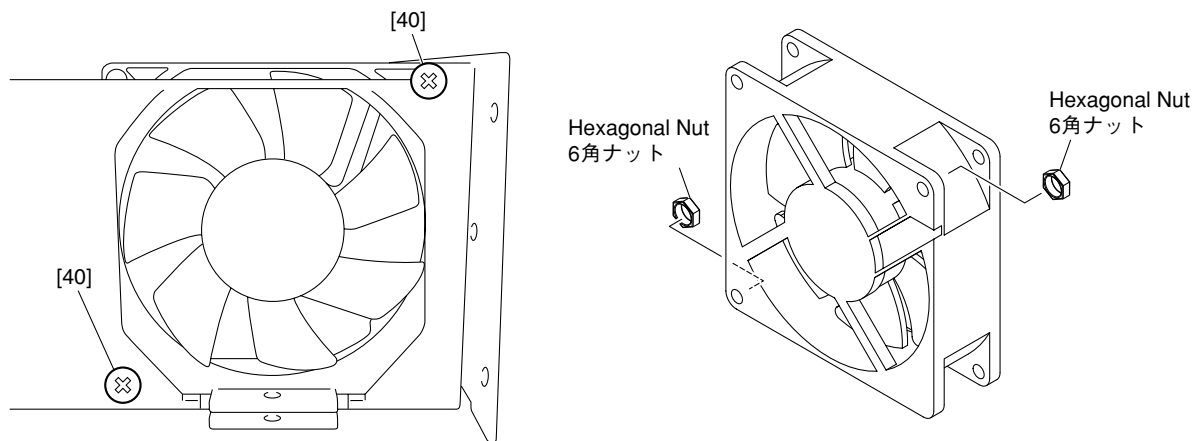
(Fig. 18)

16. Fan (Time required: about 12 min.)

- 16-1 Remove the front panel unit. (See procedure 9.)
- 16-2 Remove the PA unit located on the same side as the fan to remove. (See procedure 3.)
- 16-3 Remove the two (2) screws marked [40] and the two (2) hexagonal nuts for each side. Fans can then be removed. (Fig. 19)

16. DCファン(所要時間：約12分)

- 16-1 フロントパネル部を外します。(9項参照)
- 16-2 外すDCファンと同じ側のPAユニットを外します。(3項参照)
- 16-3 [40]のネジを左右2本ずつと六角ナットを左右2個ずつ外し、DCファンを外します。(Fig. 19)

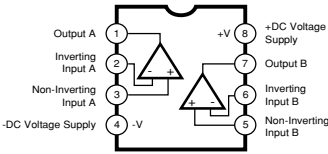


[40]: Bind Head Screw 4.0X16 MFZN2W3 SP (WE984000) 小ネジ + BIND

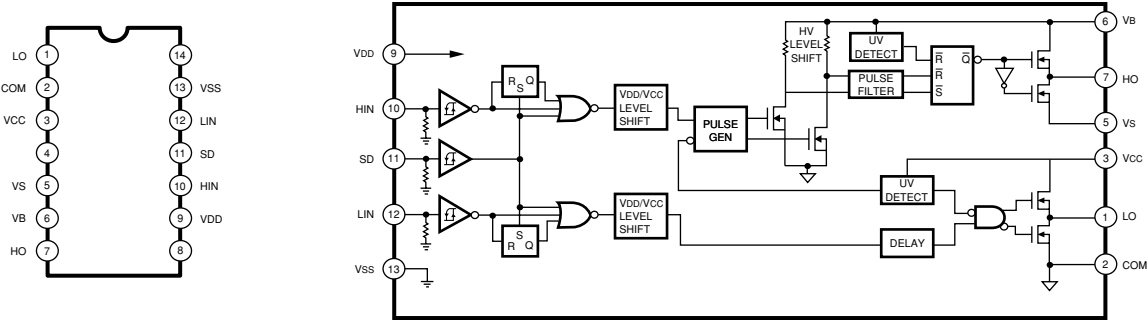
(Fig. 19)

IC BLOCK DIAGRAM (IC ブロック図)

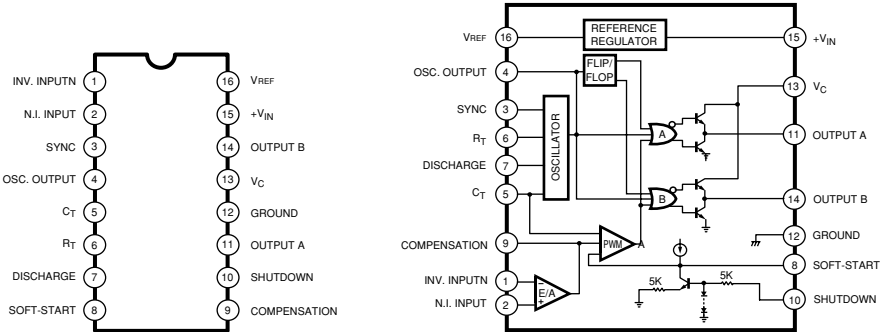
- NJM2068MD-TE2 (X3505A00)**
 Dual Operational Amplifier
 XP7000 SUB: IC301, IC302, IC303, IC304, IC305
 PAH: IC201
 XP5000 SUB: IC301, IC302, IC303, IC304, IC305
 PAH: IC201



- IR2110 (X2382A00)**
 Driver
 XP7000 PS: IC402
 XP5000 PS: IC402



- SG3525AN (X2383A00)**
 Regulating Pulse Width Modulator
 XP7000 PS: IC401
 XP5000 PS: IC401



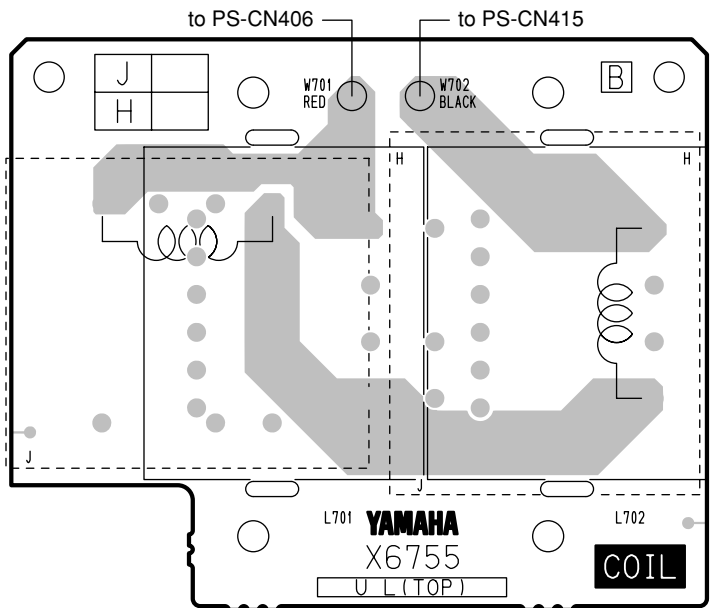
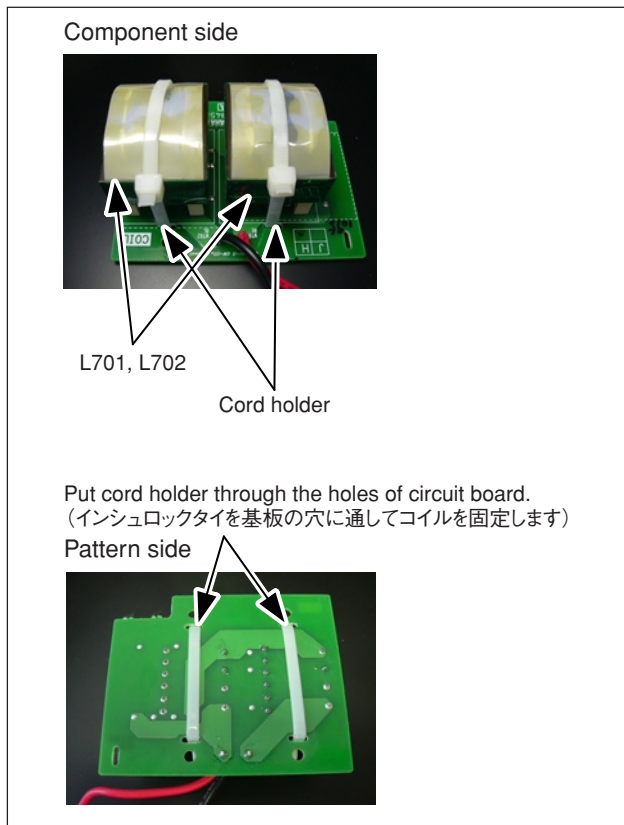
■ CIRCUIT BOARDS (シート基板図)

CONTENTS (目次)

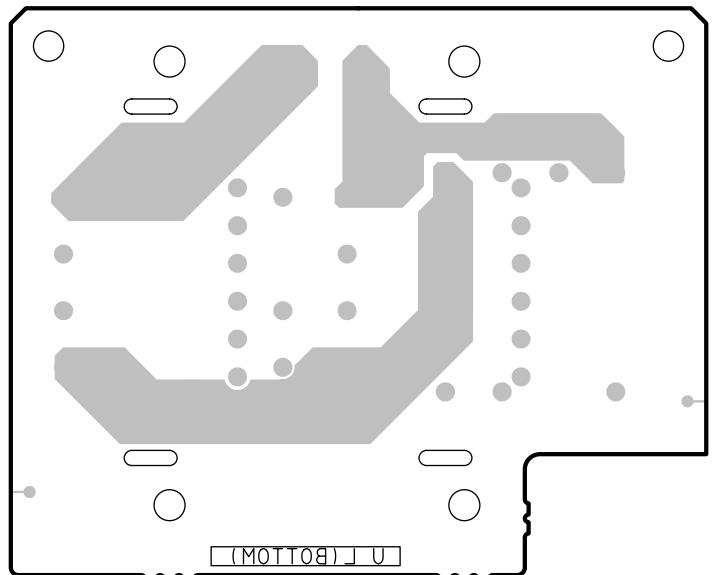
- COIL Circuit Board (X6755B0) 24
- LED Circuit Board (X6754D0) 25
- PAH Circuit Board (X6750B0) 26
- PS Circuit Board (X6752C0) 28
- IO 1/4 Circuit Board (X6754D0) 32
- IO 2/4 Circuit Board (X6754D0) 33
- IO 3/4 Circuit Board (X6754D0) 33
- IO 4/4 Circuit Board (X6754D0) 34
- PSW Circuit Board (X6754D0) 35
- VR Circuit Board (X6754D0) 35

• COIL Circuit Board

H/B/K/O destinations



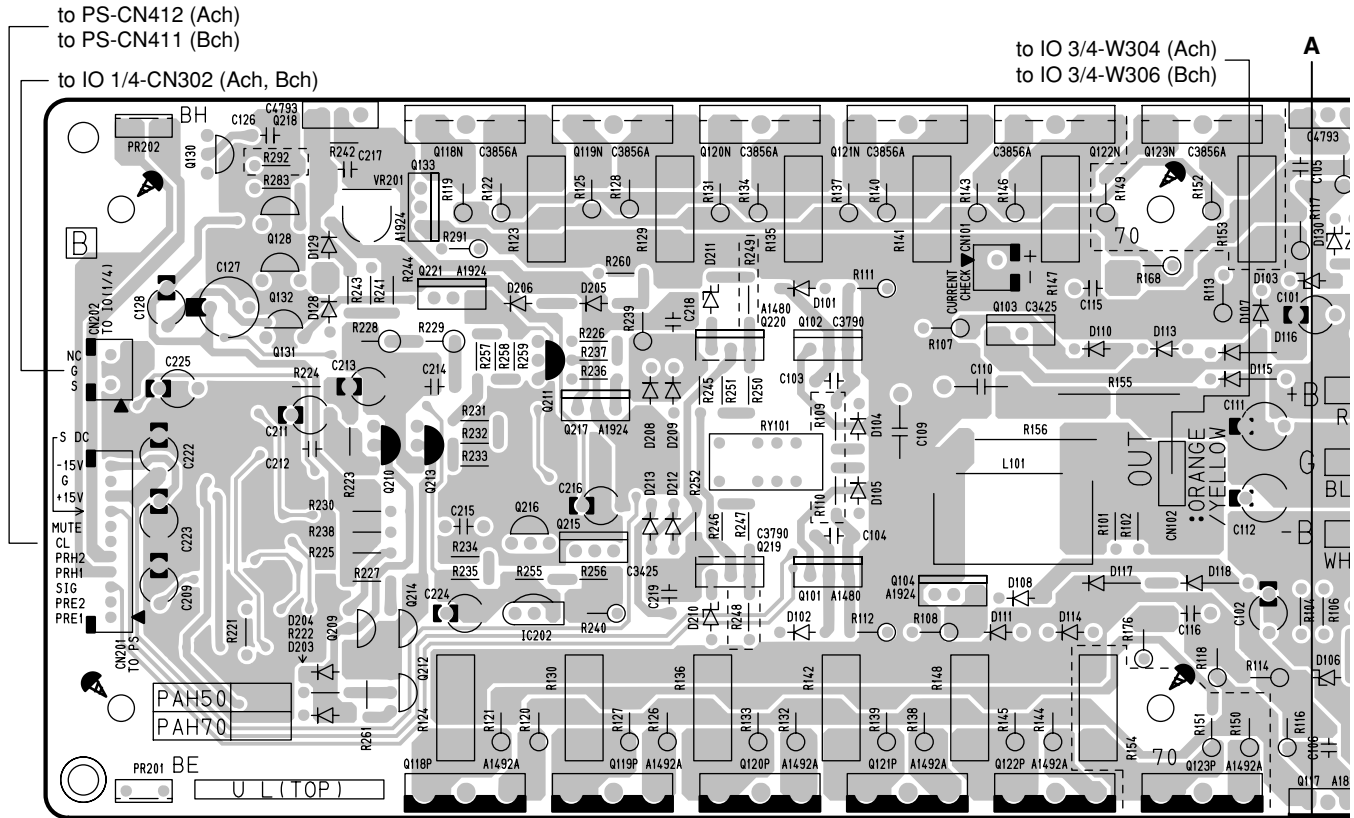
Component side (部品側)



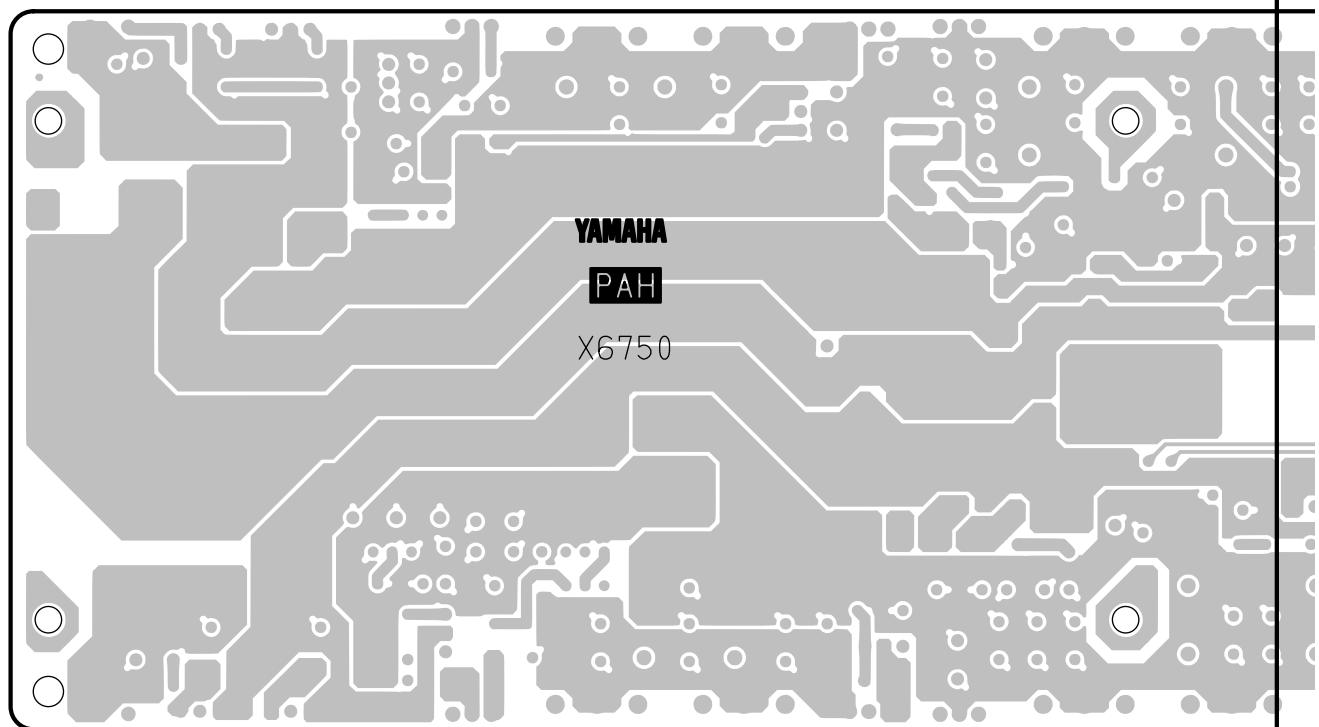
Pattern side (パターン側)

2NA-WF40160 △ (XP7000)
2NA-WF40160 △ (XP5000)

• PAH Circuit Board

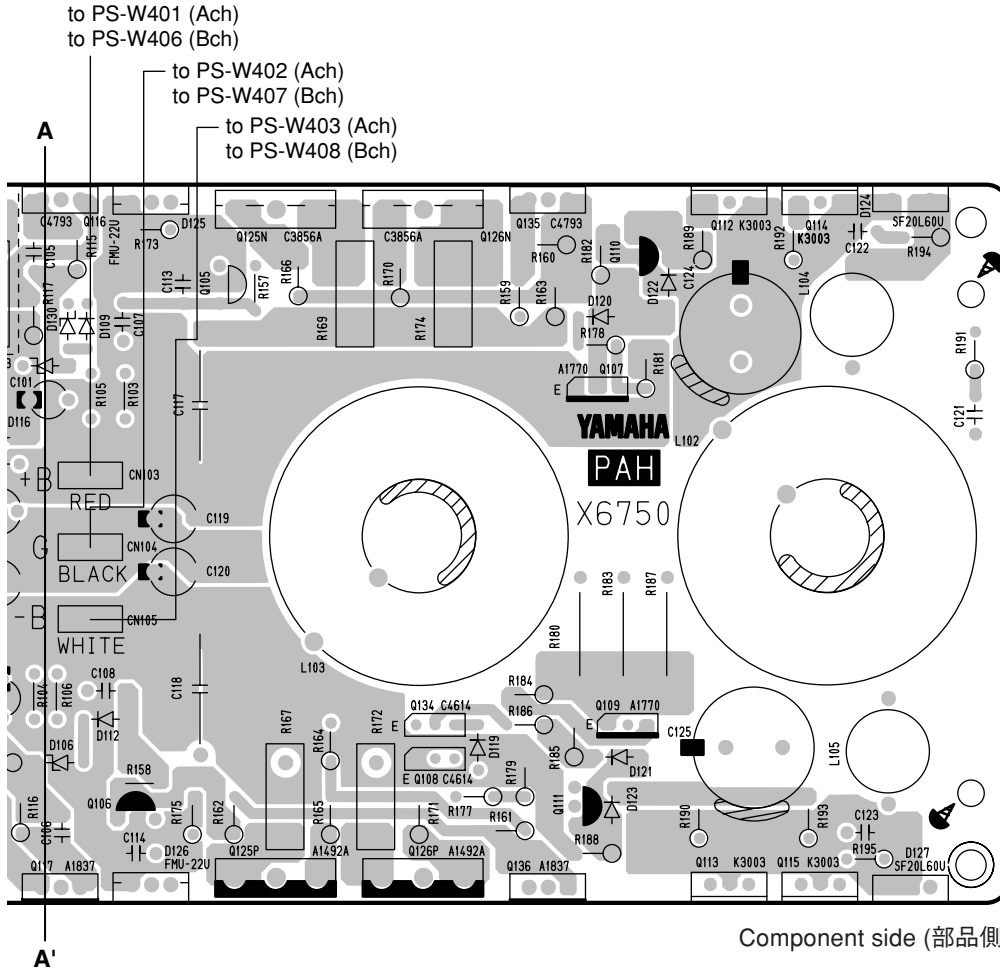


Component side (部品側)

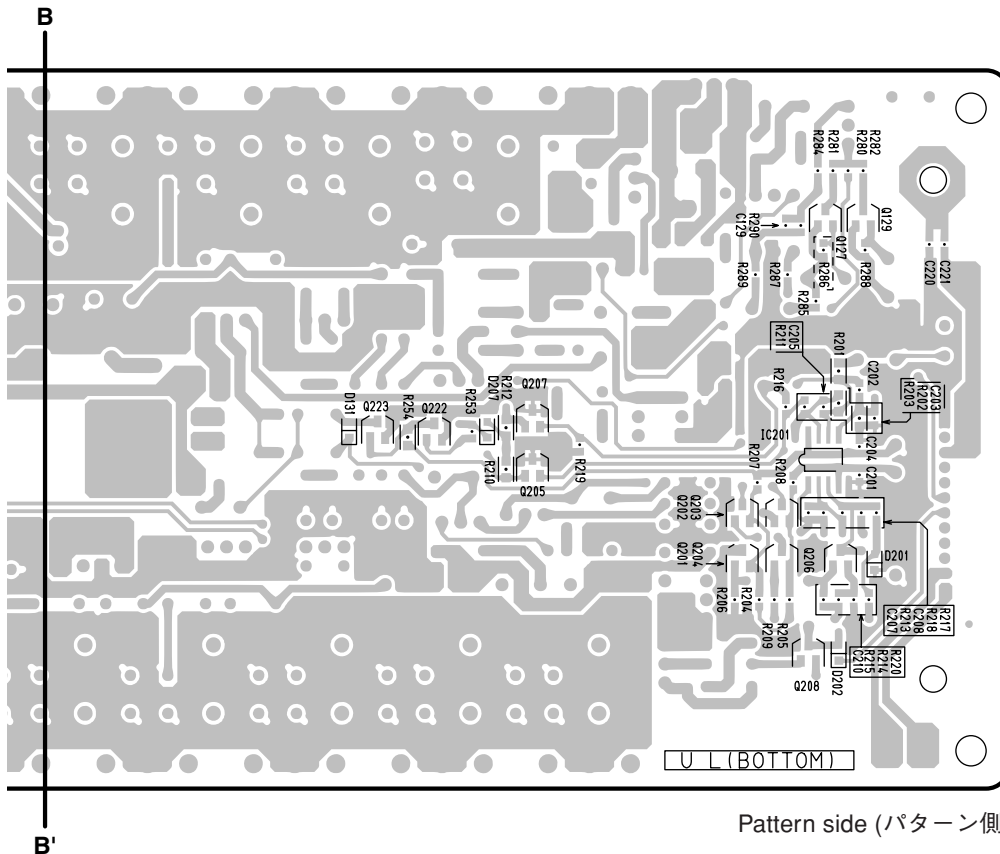


Pattern side (パターン側)

2NA-WF39660 \triangle (XP7000)
 2NA-WF39660 \triangle (XP5000)



Component side (部品側)



Pattern side (パターン側)

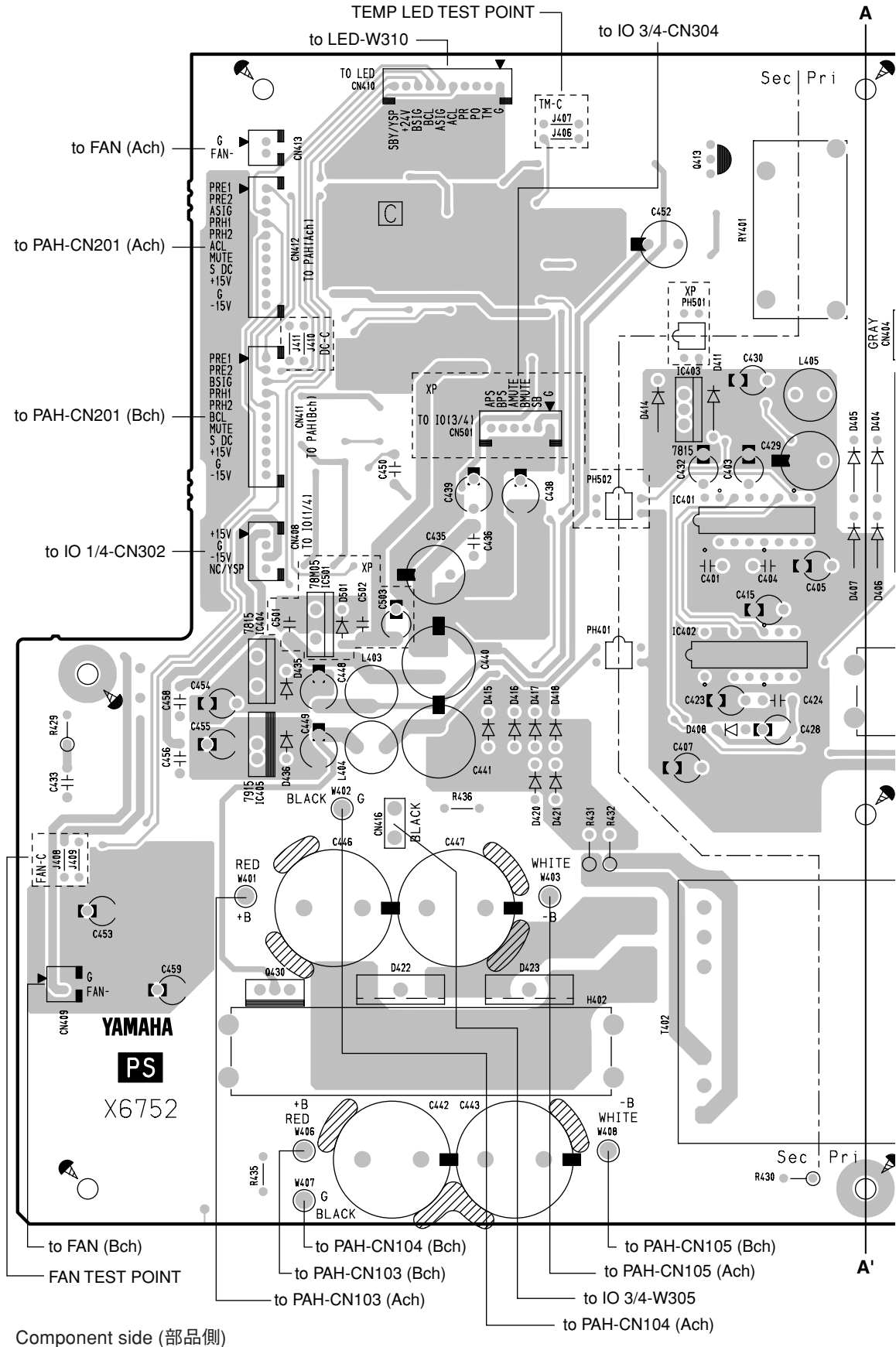
2NA-WF39660 \triangle (XP7000)
 2NA-WF39660 \triangle (XP5000)

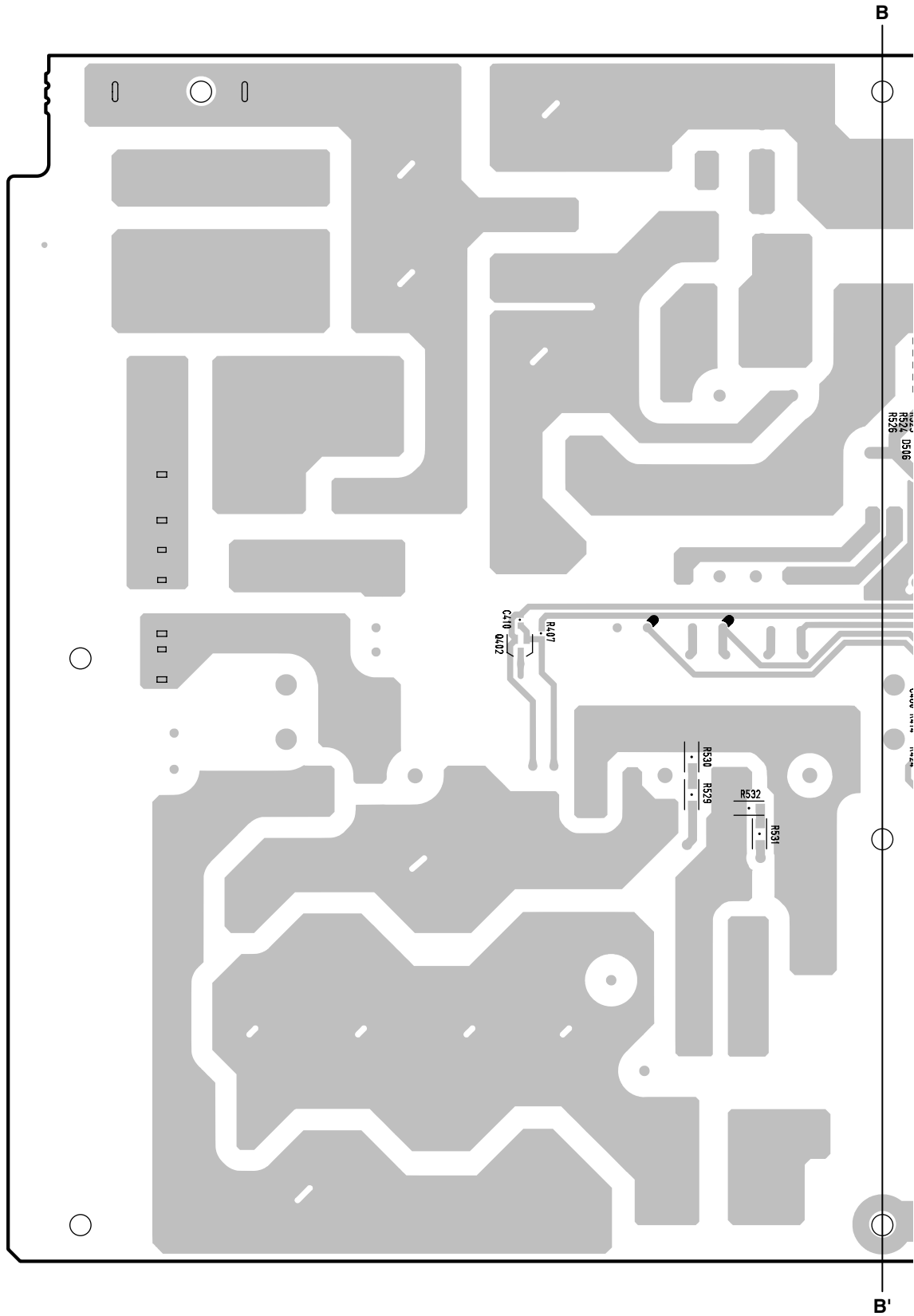
Following semi-conductors are installed for the PA unit.
 (下記半導体はPAユニットで取付けられます)

Ref.	XP7000	XP5000
D124	○	○
D125	○	○
D126	○	○
D127	○	○
Q112	○	○
-115	○	○
Q116	○	○
Q117	○	○
Q135	○	○
Q136	○	○
Q218	○	○
Q118N	○	○
Q118P	○	○
Q119N	○	○
Q119P	○	○
Q120N	○	○
Q120P	○	○
Q121N	○	○
Q121P	○	○
Q122N	○	○
Q122P	○	○
Q123N	○	-
Q123P	○	-
Q125N	○	○
Q125P	○	○
Q126N	○	○
Q126P	○	○
PR201	○	○
PR202	○	○

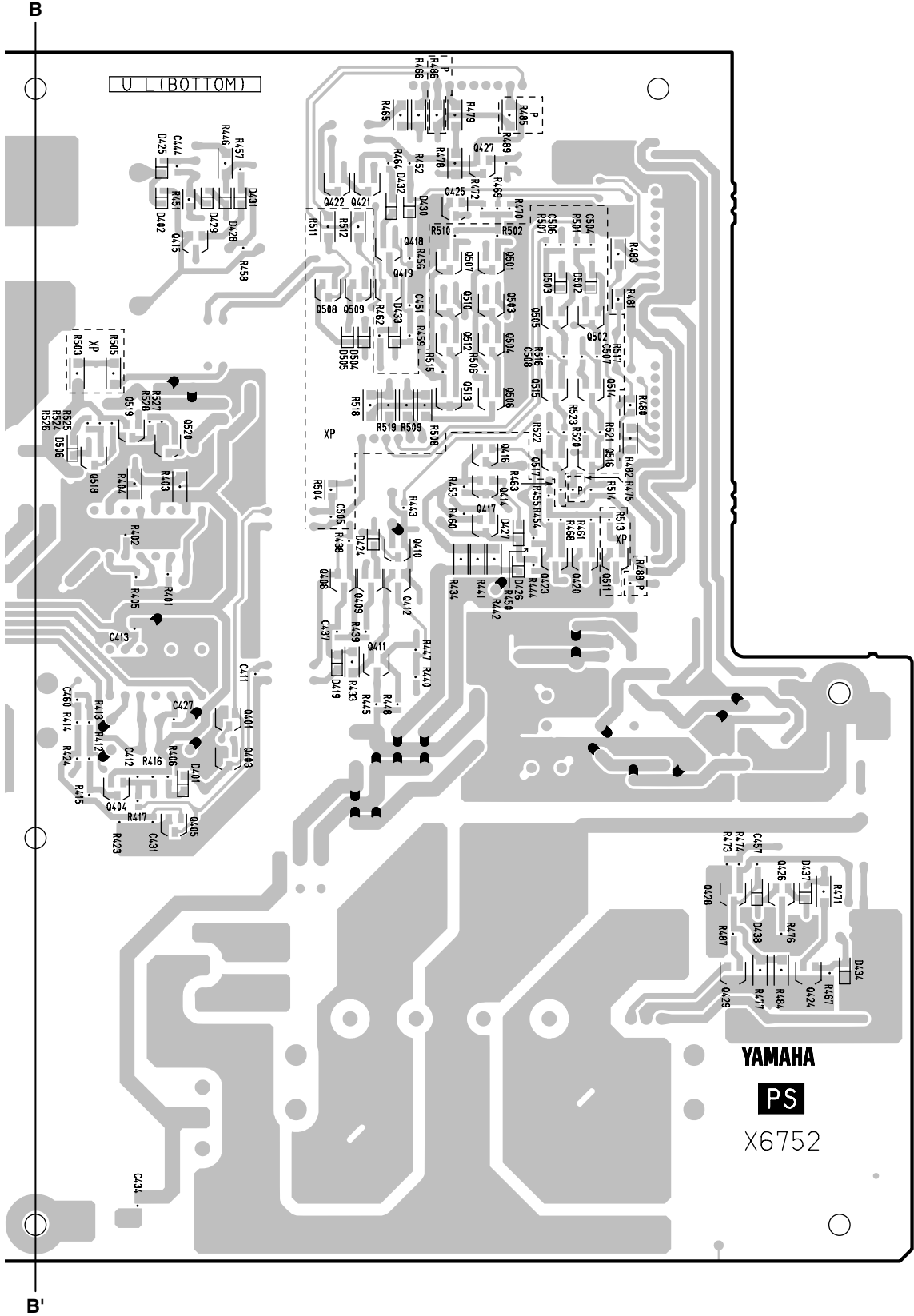
○ : Installed
 - : Not installed

• PS Circuit Board







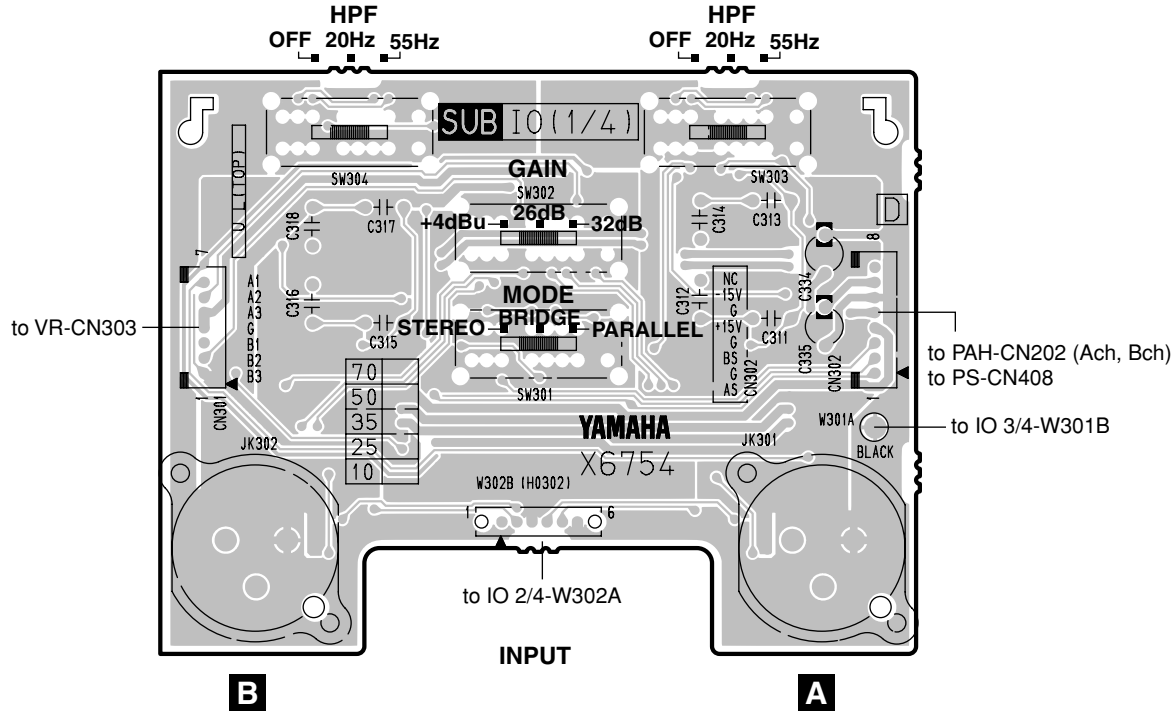
Pattern side (パターン側)



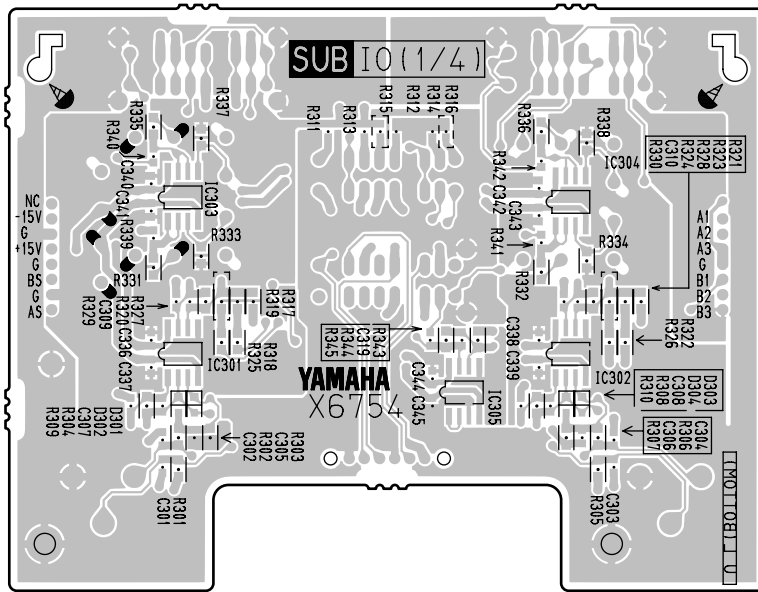
Pattern side (パターン側)

2NA-WF39710  (XP7000)
 2NA-WF39710  (XP5000)

• IO 1/4 Circuit Board

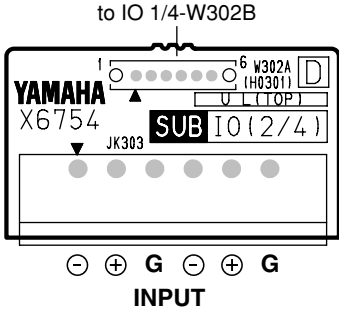


Component side (部品側)

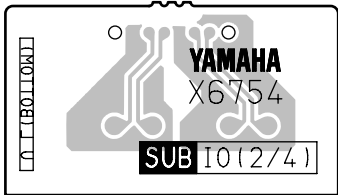


Pattern side (パターン側)

• IO 2/4 Circuit Board



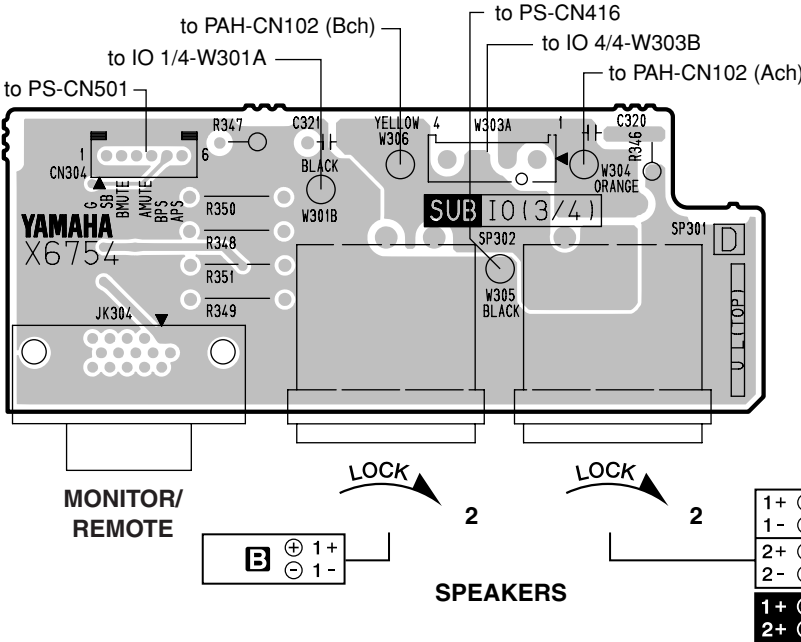
Component side (部品側)



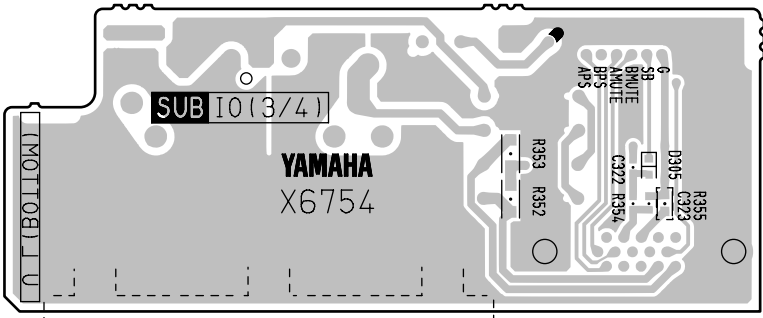
Pattern side (パターン側)

2NA-WF39910 \triangle (XP7000)
 2NA-WF39910 \triangle (XP5000)

• IO 3/4 Circuit Board



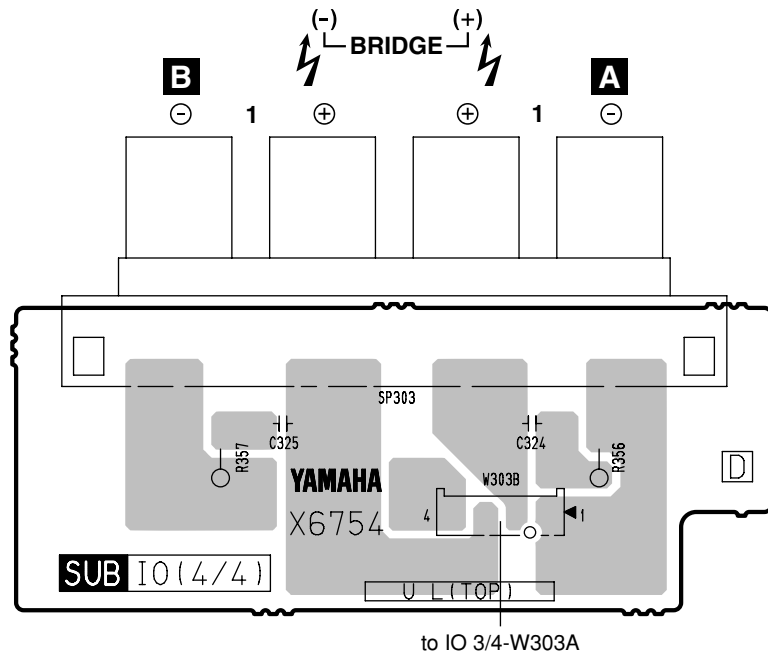
Component side (部品側)



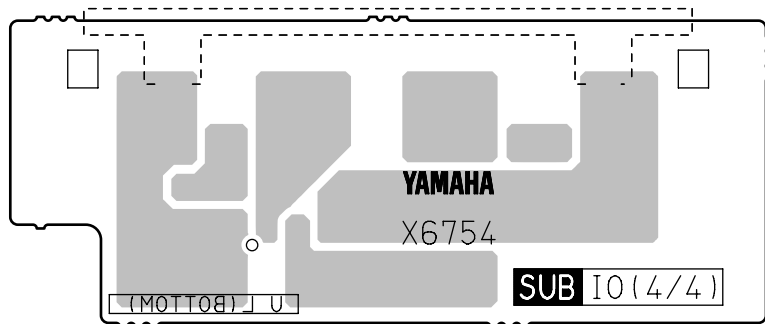
Pattern side (パターン側)

2NA-WF39910 \triangle (XP7000)
 2NA-WF39910 \triangle (XP5000)

• IO 4/4 Circuit Board

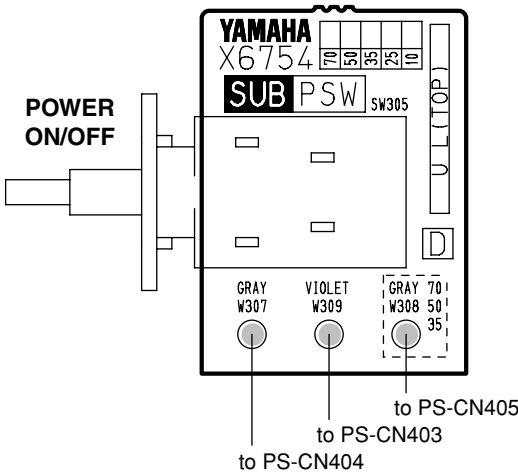


Component side (部品側)

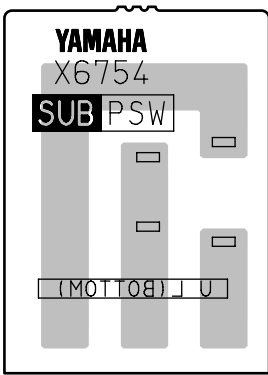


Pattern side (パターン側)

• PSW Circuit Board



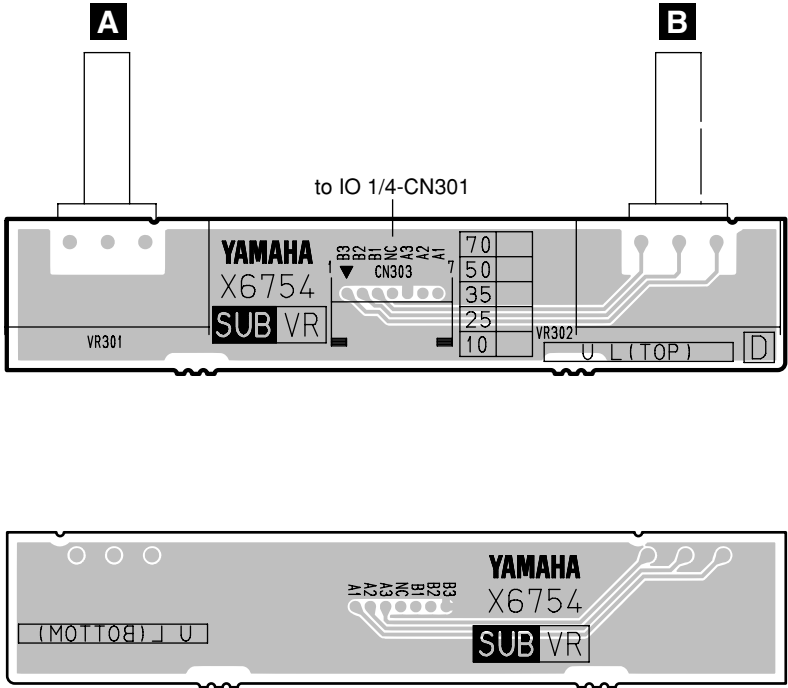
Component side (部品側)



Pattern side (パターン側)

2NA-WF39910 ⚠ (XP7000)
2NA-WF39910 ⚠ (XP5000)

• VR Circuit Board



2NA-WF39910 ⚠ (XP7000)
2NA-WF39910 ⚠ (XP5000)

■ INSPECTIONS

1. Applicable range

- Applicable to the power amplifiers XP7000/XP5000.
- * For the details of adjustment points, refer to “Switches and Adjustment Points” (p. 41).

2. Preparation for STEREO/PARALLEL mode

Attenuator	: “0” (MAX) (both channels)
Input terminal	: XLR connector 2PIN-HOT/3PIN-COLD/1PIN-GND
MODE switch	: STEREO
GAIN switch	: 32 dB
HPF switch	: OFF (both channels)
Load resistance	: 8 ohms +/- 1%

- Unless otherwise specified, use above settings for all inspection items of the STEREO/PARALLEL mode. When any setting has been changed, be sure to reset it back to the above setting before testing other items.
- Unless otherwise specified, use a high grade sine wave for the input signal.
- Unless otherwise specified, keep both channels in the drive mode.
- The unit used for analog I/O level is 0 dBu=0.775 Vrms.

3. Inspection and Adjustment

3.1 Power ON muting time and POWER LED, PROTECTION LED

Turn on the power and check that POWER and PROTECTION LEDs light up.
Turn on the power and check that PROTECTION LED turns off in 2.5 ± 1 seconds.

3.2 Fan and TEMP LED

Short-circuit 2 jumper cables within the “FAN-C” marked frame on the PS circuit board and check that the fan runs. Also short-circuit 2 jumper cables within the “TM-C” marked frame and check that TEMP LED lights up.

3.3 Idling current

Ground the input terminal and adjust VR201 so that the DC voltage V_b between the pins 1 and 2 of CN101 on the PA unit becomes 0.275 ± 0.025 mV. After all inspections, adjust the V_b again so that it becomes 0.5 ± 0.1 mV. Perform this adjustment on both channels.

3.4 DC voltage of output terminal

Ground the input terminal and measure the DC voltage V_{dc} at the output terminal. Check that the measured value is 0 ± 75 mV.

3.5 Gain

3.5.1 Nominal gain

Input a 1 kHz, -10.0 dBu sine wave signal to the input terminal and check that $+22.0 \pm 0.5$ dBu output voltage is obtained.

3.5.2 GAIN switch

Set the GAIN switch to 26 dB.

Input a 1 kHz, -10.0 dBu sine wave signal to the input terminal and check that $+16.0 \pm 0.5$ dBu output voltage is obtained.

Next, set the GAIN switch to +4 dBu.

Input a 1 kHz, -10.0 dBu sine wave signal to the input terminal and check that the output voltage obtained is as specified in the table below.

XP7000	XP5000
+25.7 +/- 0.5 dBu	+24.2 +/- 0.5 dBu

3.5.3 Attenuator

With the attenuator set to the -10 dB position, input a 1 kHz, -10.0 dBu sine wave signal to the input terminal and check that an output voltage within $+12.0 \pm 3.0$ dBu is obtained.

3.5.4 PARALLEL mode

Set the MODE switch to PARALLEL.

Input a 1 kHz, -10.0 dBu sine wave signal to the input terminal of the A channel and check that $+22.0 \pm 0.5$ dBu output voltage is obtained for both channels.

Do not input any signal to the input terminal of the B channel.

3.6 Frequency characteristics

Input 20 Hz, 1 kHz, 20 kHz, -10 dBu signals and check that the output voltage obtained is within -0.5 ± 0.5 dBu at 20 Hz and 20 kHz as compared with the output voltage at 1 kHz.

<Set the HPF switch to 20 Hz>

Input a 20 Hz, -10 dBu signal and check that the output voltage is within -3.0 ± 2.0 dBu as compared with the output voltage at 1 kHz, -10 dBu in the HPF OFF state.

<Set the HPF switch to 55 Hz>

Input a 55 Hz, -10 dBu signal and check that the output voltage is within -3.0 ± 2.0 dBu as compared with the output voltage at 1 kHz, -10 dBu in the HPF OFF state.

3.7 Distortion

Input 20 Hz, 20 kHz signals to the input terminal and check that the distortion is 0.1% or less when the rated output as specified in the table below is obtained.

This inspection should be completed within 30 seconds.

XP7000 (U/T/A)	XP7000 (H/B/K/O)	XP5000
74.82 V (700 W + 700 W)	72.12 V (650 W + 650 W)	63.25 V (500 W + 500 W)

3.8 Channel separation

Input a 1 kHz signal to the A channel and shunt 2 pin (hot) and 3 pin (cold) of input terminals of the B channel with 600 ohms. Set the output of the A channel as specified in "Output level of the channel with signal input" section in the table below.

Check that the output voltage of the B channel is less than the value specified in "Output level of the channel terminated" section in the table below. Reverse A and B channels and perform the same check.

Use a DIN AUDIO filter for this measurement.

	XP7000	XP5000
Output level of the channel with signal input	36.7 dBu (350 W)	35.3 dBu (250 W)
Output level of the channel terminated	-33.3 dBu	-34.7 dBu

3.9 Output noise level

Shunt 2 pin (hot) and 3 pin (cold) of input terminals with 600 ohms.

Measure the noise level at the output terminal and check that it is -65 dBu or less.

Set the attenuator to MIN and check that the noise level is -70 dBu or less.

Use a DIN AUDIO filter for this measurement.

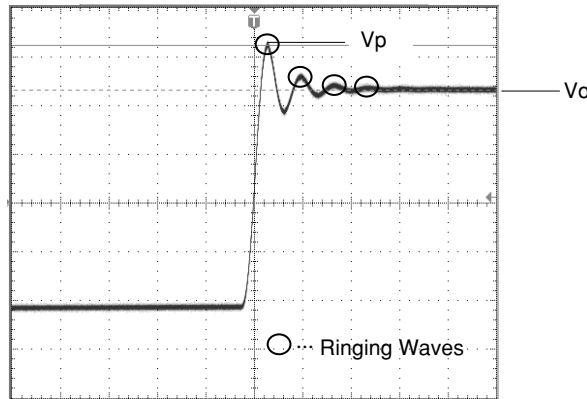
3.10 Stability

Use only the polyester film capacitor of net capacity of 0.01 uF as a load.

Input the 1 kHz, -10 dBu rectangular square wave and check that no oscillation occurs and following conditions are satisfied.

Overshoot : $V_p/V_o < 2.5$

Ringing : Converged within 7 waves and no oscillation generated



3.11 Protection circuit

Disconnect the load resistance from the output terminal.

Short-circuit 2 jumper cables within the “DC-C” marked frame of the PS circuit board and check that the power is shut down within 2 seconds.

After checking, make short-circuited jumper cables off. Turn off the power and turn it on again 3 seconds later to check that the unit can be restarted normally.

3.12 Efficiency

(1) Input a 1 kHz, -6.6 dBu signal and measure the primary power.

Check that the measured value is within the range specified in the table below.

XP7000	XP5000
140 +/- 30 W	140 +/- 30 W

(2) Shunt 2 pin (hot) and 3 pin (cold) of input terminals with 600 ohms and measure the primary power. Check that the measured value is within the range specified in the table below.

XP7000	XP5000
35 +/- 10 W	35 +/- 10 W

3.13 VI limiter and comp.

Connect 1 ohms ($\pm 5\%$) load to the output terminal and input a 1 kHz, -1.5 dBu signal. Check that the output voltage is within the range specified in the table below. Also check that the distortion is 5% or less and the CLIP LED lights up.

Perform this inspection on each channel separately.

This inspection should be completed within 30 seconds.

XP7000	XP5000
18 +/- 4 V	16 +/- 4 V

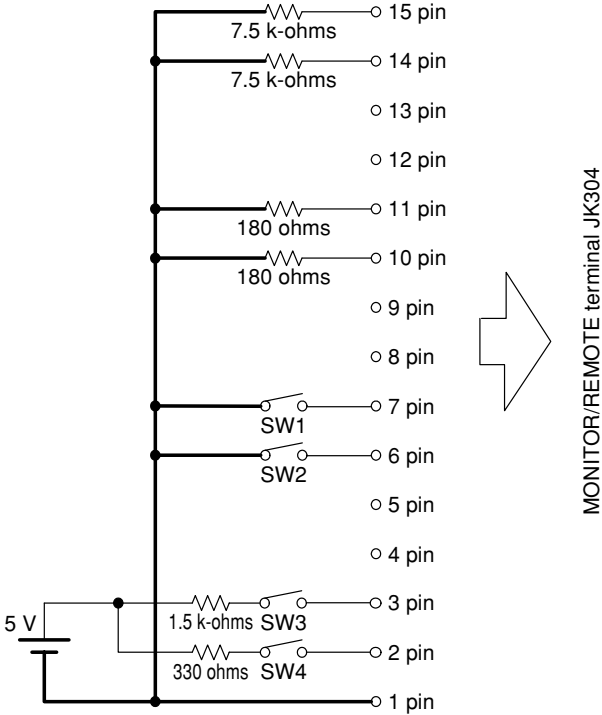
3.14 SIGNAL LED

Input a 1 kHz, -23 dBu sine wave signal and check that the SIGNAL LED lights up. Perform this inspection on each channel separately.

3.15 MONITOR/REMOTE

3.15.1 Preparation

Connect the inspection circuit to the MONITOR/REMOTE terminal (JK304).
Check that the tolerance of the connected resistor is 1% or less, the rated power is 1/4 W or more and the tolerance of the DC current voltage is 1% or less.



3.15.2 Output level

Input a 1 kHz, -10 dBu signal and check that the output voltage at pins 14 and 15 of JK304 is 4.8 ± 1.0 dBu.

3.15.3 Mute and protection status

Input a 1 kHz, -10 dBu signal.
Check that the DC voltage at pins 10 and 11 of JK304 is $+2 \pm 0.5V$.
Turn on SW1 and check that the DC voltage at pin 11 of JK304 is 0.5 V or less and the voltage level at the output terminal of the A channel is -30 dBu or lower.
Turn on SW2 and check that the DC voltage at pin 10 of JK304 is 0.5 V or less and the voltage level at the output terminal of the B channels is -30 dBu or lower.

3.15.4 Model ID

Turn on SW3 and check that the DC output voltage at pin 3 of JK951 is within the range for "ID-V" specified in the table below.

	XP7000	XP5000
ID-V	2.00	2.22
	+/- 0.06 V	+/- 0.06 V

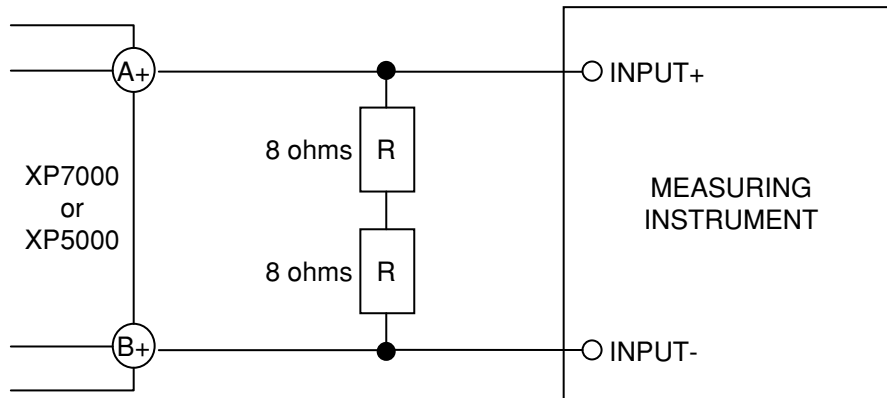
3.15.5 Standby

Turn on SW4 and check that the POWER LED lights up in orange and the primary power is 5W or less.

4. Preparation for BRIDGE mode

- Attenuator : "0" (MAX) Only channel A is valid.
- Input terminal : XLR connector 2PIN-HOT/3PIN-COLD/1PIN-GND
- MODE switch : BRIDGE
- GAIN switch : 32 dB
- HPF switch : OFF (both channels)
- Load resistance : 8 + 8 ohms +/- 1%

Make connections as shown below and measure the output voltage at each point.



5. Inspection

5.1 Gain

Input a 1 kHz, -10.0 dBu signal and check that +28.0 ± 1.0 dBu output voltage is obtained.

5.2 Frequency characteristics

Input 20 Hz, 1 kHz, 20 kHz, -10 dBu signals and check that the output voltage obtained is within -0.5 ± 0.5 dBu at 20 Hz and 20 kHz as compared with the output voltage at 1 kHz.

5.3 Distortion

Input 20 Hz, 20 kHz signals to the input terminal and check that the distortion is 0.1% or less when the output voltage as specified in the table below is obtained.

This inspection should be completed within 30 seconds.

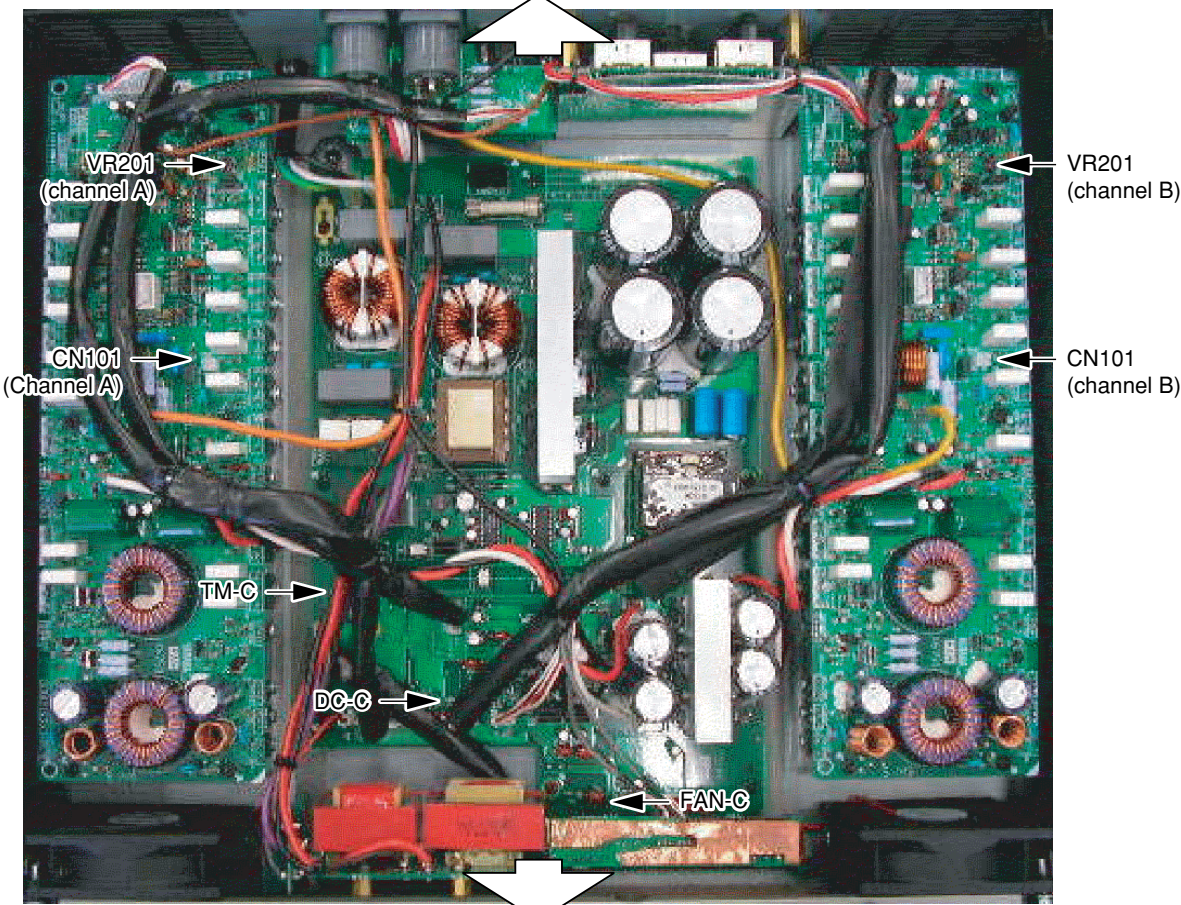
XP7000 (U/T/A)	XP7000 (H/B/K/O)	XP5000
149.68 V	144.24 V	126.50 V

5.4 Output noise level

Shunt 2 pin (hot) and 3 pin (cold) of input terminals with 600 ohms.
 Measure the noise level at the output terminal and check that it is -60 dBu or less.
 Next, set the attenuator to MIN and check that the noise level is -65 dBu or less.
 Use a DIN AUDIO filter for this measurement.

6. Switches and adjustment points

Rear side: HPF switch x 2, GAIN switch, MODE switch (STEREO/PARALLEL/BRIDGE mode)
MONITOR/REMOTE terminal



Front side: POWER ON/OFF switch, Attenuator x 2
TEMP LED, PROTECTION LED, POWER/STANDBY LED, CLIP LED, SIGNAL LED

7. Factory settings

- Attenuator : MIN (both channels)
- MODE switch : STEREO
- GAIN switch : 32 dB
- HPF switch : OFF (both channels)

■ 検査

1. 適用範囲

- ・ パワーアンプXP7000/XP5000について規定します。
- * 調整箇所の詳細については47ページ“スイッチおよび調整箇所”を参照してください。

2. STEREO/PARALLELモード用の準備

アッテネータ	: “0” (MAX) (両チャンネル)
入力端子	: キャノンタイプコネクタ2PIN-HOT/3PIN-COLD/1PIN-GND
MODEスイッチ	: STEREO
GAINスイッチ	: 32 dB
HPFスイッチ	: OFF (両チャンネル)
負荷抵抗	: 8 ohms +/- 1%

- ・ 特に指示が無い限り、上記設定をSTEREO/PARALLELモードのすべての検査項目に適用してください。設定を変えた場合、他項目の検査をする前に上記の設定に戻してください。
- ・ 特に指定の無い場合、入力信号は高品位サイン波とします。
- ・ 特に指定の無い場合、両チャンネル駆動とします。
- ・ アナログ入出力レベルの単位は0 dBu=0.775 Vrmsとします。

3. 検査および調整

3.1 パワーオンミュージング時間およびPOWER LED、PROTECTION LED

電源を投入し、POWER、PROTECTION LEDが点灯することを確認します。
電源を投入し、2.5 ± 1秒にて、PROTECTION LEDが消灯することを確認します。

3.2 ファンおよびTEMP LED

PSシートの“FAN-C”と表記された枠内の2本のジャンパー線をショートした時、ファンが回転することを確認します。同じく“TM-C”と表記された枠内の2本のジャンパー線をショートした時、TEMP LEDが点灯することを確認します。

3.3 アイドリング電流

入力端子を接地して、PAユニットCN101の1-2番端子間の直流電圧Vbが0.275 ± 0.025 mVとなるように、VR201を調整します。全検査終了後、再度Vbを0.5 ± 0.1 mVとなるように調整します。
この調整は両チャンネル共に行います。

3.4 出力端子、直流電圧

入力端子を接地し、出力端子の直流電圧Vdcを測定し、0 ± 75 mVであることを確認します。

3.5 利得

3.5.1 公称ゲイン

入力端子に1 kHz、-10.0 dBuの正弦波を入力した時、+22.0 ± 0.5 dBuの出力電圧を得られる事を確認します。

3.5.2 GAINスイッチ

GAINスイッチを26 dBにセットします。

入力端子に1 kHz、-10.0 dBuの正弦波を入力した時、+16.0 ± 0.5 dBuの出力電圧を得られる事を確認します。

GAINスイッチを+4 dBuにセットします。

入力端子に1 kHz、-10.0 dBuの正弦波を入力した時、下表の出力電圧を得られる事を確認します。

XP7000	XP5000
+25.7 +/- 0.5 dBu	+24.2 +/- 0.5 dBu

3.5.3 アッテネーター

アッテネーターを-10 dBのポジションに設定し、入力端子に1 kHz、-10.0 dBuの正弦波を入力した時、+12.0 ± 3.0 dBu以内の出力電圧を得られる事を確認します。

3.5.4 PARALLELモード

MODEスイッチをPARALLELにセットします。

Aチャンネルの入力端子に1 kHz、-10.0 dBuの正弦波を入力した時、両チャンネルで+22.0 ± 0.5 dBuの出力電圧を得られる事を確認します。

Bチャンネルの入力端子に信号を入力しないでください。

3.6 周波数特性

20 Hz、1 kHz、20 kHz、-10 dBuの信号を入力した時、出力電圧が1 kHzを基準に20 Hz、20 kHzにおいて-0.5 ± 0.5 dBu以内であることを確認します。

<HPFスイッチを20 Hzにセットします>

20 Hz、-10 dBuの信号を入力した時、出力電圧がHPFスイッチOFF時で1 kHz、-10 dBuの入力を加えたときの出力電圧を基準に-3.0 ± 2.0 dBu以内であることを確認します。

<HPFスイッチを55 Hzにセットします>

55 Hz、-10 dBuの信号を入力した時、出力電圧がHPFスイッチOFF時で1 kHz、-10 dBuの入力を加えたときの出力電圧を基準に-3.0 ± 2.0 dBu以内であることを確認します。

3.7 歪率

入力端子に20 Hz、20 kHzの信号を入力し下表の定格出力を得た時の歪率は0.1%以下であることを確認します。
この検査は30秒以内に終了してください。

XP7000	XP5000
74.82 V (700 W + 700 W)	63.25 V (500 W + 500 W)

3.8 チャンネルセパレーション

Aチャンネルに1 kHzを入力し、Bチャンネルの入力端子間(2pin-hot、3pin-cold)を600 ohmsでシャントします。

Aチャンネルの出力を下表「信号入力したチャンネルの出力レベル」の値にセットします。

Bチャンネルの出力電圧は下表「600 ohmsでシャントしたチャンネルの出力レベル」の値以下であることを確認します。

次にAとBを入れ換えて検査します。

この測定にはDIN AUDIOフィルターを使用してください。

	XP7000	XP5000
信号入力したチャンネルの出力レベル	36.7 dBu (350 W)	35.3 dBu (250 W)
600 ohmsでシャントしたチャンネルの出力レベル	-33.3 dBu	-34.7 dBu

3.9 出力ノイズレベル

入力端子間(2pin-hot、3pin-cold)を600 ohmsでシャントします。

出力端子に発生するノイズレベルを測定し、-65 dBu以下であることを確認します。

アッテネーターをMINにし、-70 dBu以下であることを確認します。

この測定にはDIN AUDIOフィルターを使用してください。

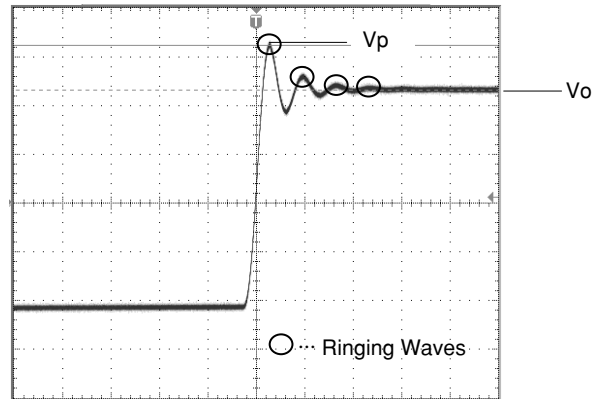
3.10 安定度

負荷を純容量0.01 uF(フィルムコンデンサ)のみとします。

1 kHz、-10 dBuの矩形波を入力した時、発振せずに以下の条件を満足することを確認します。

オーバーシュート : $V_p/V_o < 2.5$

リングング : 7波以内に収束し、発振などを生じないこと。



3.11 プロテクション回路

出力端子から負荷抵抗の接続を外します。

PSシートの“DC-C”と表記された枠内の2本のジャンパー線をショートした時、2秒以内に電源がシャットダウンすることを確認します。

確認後ショートをやめてからパワースイッチをOFFします。その3秒後にパワースイッチをONして、正常に再起動することを確認します。

3.12 効率

(1) 1 kHz、-6.6 dBuの信号を入力して、一次電力を測定し下表の範囲内であることを確認します。

XP7000	XP5000
140 +/- 30 W	140 +/- 30 W

(2) 入力端子間(2pin-hot、3pin-cold)を600 ohmsでシャントして、一次電力を測定し下表の範囲内であることを確認します。

XP7000	XP5000
35 +/- 10 W	35 +/- 10 W

3.13 VIリミッターおよびコンプ

出力端子に負荷として1 ohms(± 5%)を接続し1 kHz、-1.5 dBuの信号を入力します。

出力電圧は下表の範囲であること、また歪率は5%以下であり、CLIP LEDが点灯することを確認します。

この検査は各チャンネル別々に行ってください。

この検査は30秒以内に終了してください。

XP7000	XP5000
18 +/- 4 V	16 +/- 4 V

3.14 SIGNAL LED

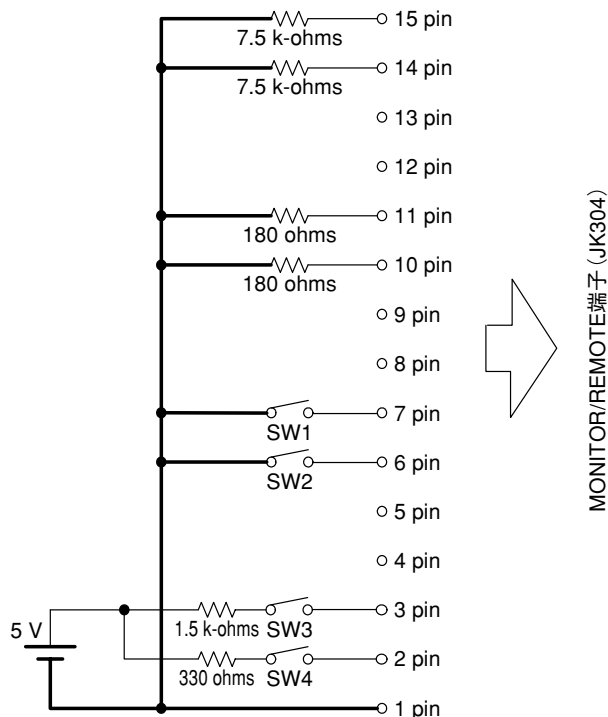
1 kHz、-23 dBuの正弦波を入力し、SIGNAL LEDが点灯することを確認します。

この検査は各チャンネル別々に行ってください。

3.15 MONITOR/REMOTE

3.15.1 準備

下記に示す検査回路をMONITOR/REMOTE端子 (JK304) と接続します。
接続する抵抗は誤差が1%以下、定格電力1/4 W以上、直流電源電圧の誤差が1%以下のものを使用します。



3.15.2 出力レベル

1 kHz、-10 dBuの信号を入力した時、JK304の14ピンおよび15ピンの出力電圧が -4.8 ± 1.0 dBuであることを確認します。

3.15.3 ミュートおよびプロテクションステイタス

1 kHz、-10 dBuの信号を入力します。

JK304の10ピンおよび11ピンの直流電圧が $+2 \pm 0.5$ Vであることを確認します。

SW1をONした時、JK304の11ピンの直流電圧が0.5 V以下となり、Aチャンネルの出力端子の電圧レベルが-30 dBu以下となることを確認します。

SW2をONした時、JK304の10ピンの直流電圧が0.5 V以下となり、Bチャンネルの出力端子の電圧レベルが-30 dBu以下となることを確認します。

3.15.4 モデルID

SW3をONした時、JK951の3ピンのDC出力電圧が下表の“ID-V”の範囲内であることを確認します。

	XP7000	XP5000
ID-V	2.00 +/- 0.06 V	2.22 +/- 0.06 V

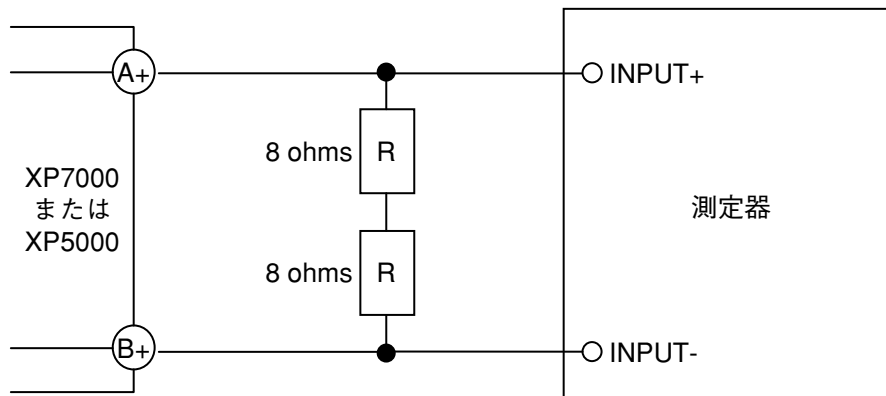
3.15.5 スタンバイ

SW4をONした時、POWER LEDが橙色に点灯し、1次電力が5 W以下になることを確認します。

4. BRIDGEモード用の準備

- アッテネーター : “0”(MAX) Aチャンネルのみ有効
- 入力端子 : キャノンタイプコネクタ2PIN-HOT/3PIN-COLD/1PIN-GND
- MODEスイッチ : BRIDGE
- GAINスイッチ : 32 dB
- HPFスイッチ : OFF(両チャンネル)
- 負荷抵抗 : 8 + 8 ohms +/- 1%

下図のとおりに接続して、各点における出力を測定します。



5. 検査

5.1 利得

1 kHz、-10.0 dBuの信号を入力した時、+28.0 ± 1.0 dBuの出力電圧を得ることを確認します。

5.2 周波数特性

20 Hz、1 kHz、20 kHz、-10 dBuの信号を入力した時、出力電圧が1 kHzの出力電圧を基準に20 Hz、20 kHzにおいて-0.5 ± 0.5 dBu以内であることを確認します。

5.3 歪率

入力端子に20 Hz、20 kHzの信号を入力し下表の出力電圧を得た時の歪率は0.1%以下であることを確認します。
この検査は30秒以内に終了してください。

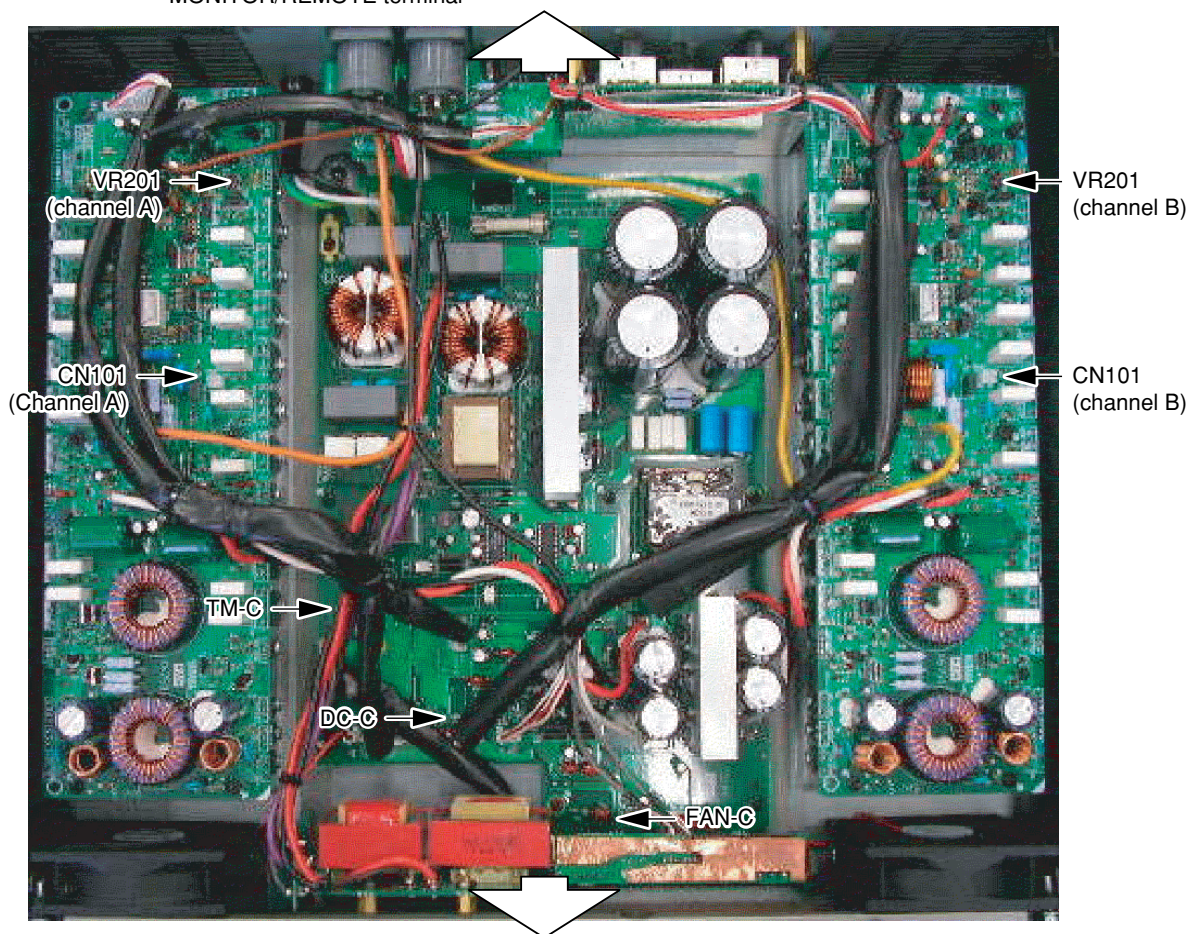
XP7000	XP5000
149.68 V	126.50 V

5.4 出力ノイズレベル

入力端子間(2pin-hot、3pin-cold)を600 ohmsでシャントします。
出力端子に発生するノイズレベルを測定し、-60 dBu以下であることを確認します。
次にアッテネーターをMINにし、-65 dBu以下であることを確認します。
この測定にはDIN AUDIOフィルターを使用してください。

6. スイッチおよび調整箇所

Rear side: HPF switch x 2, GAIN switch, MODE switch (STEREO/PARALLEL/BRIDGE mode)
MONITOR/REMOTE terminal



Front side: POWER ON/OFF switch, Attenuator x 2
TEMP LED, PROTECTION LED, POWER/STANDBY LED, CLIP LED, SIGNAL LED

7. 出荷時のセッティング

アッテネーター	: MIN (両チャンネル)
MODEスイッチ	: STEREO
GAINスイッチ	: 32 dB
HPFスイッチ	: OFF (両チャンネル)

■ PS CIRCUIT BOARD REPAIR GUIDE

1. Applicable Circuit Board

This guide is applicable when repairing the circuit board specified in the table 1-1.

Table 1-1

Model	Circuit Board	Part No.	Destination	Power Supply
XP7000	PS70U	WF397200	U/T	AC 120 V
	PS70H	WF397300	H/B/K/O	AC 230 V
	PS70A	WF397400	A	AC 240 V
XP5000	PS50U	WF397600	U/T	AC 120 V
	PS50H	WF397700	H/B/K/O	AC 230 V
	PS50A	WF397800	A	AC 240 V

2. Electrical Performance

2-1 Preparation (See page 51)

- Connect the PSW circuit board (XP7000=WF400100, XP5000=WF400200) to CN403, CN404 and CN405.
- Connect J401 and J402, or short-circuit CN406 and CN415 (for H/B/K/O destination). After repair, make these connections to its original state.
- Adjust the power supply voltage suites each circuit boards. Refer to the table 1-1 above.

2-2 Voltages of Each Part (See page 51)

The output voltage is normal if it is in the range specified in the table 2-1 when turning the power on.

Table 2-1

Model	Measuring Item	Measuring Part	Output Voltage (DC)		Load Resistance
			U/T/A	H/B/K/O	
XP7000	+B	W406-W407	approx. +141.4 V	approx. +143.5 V	22 k-ohms, 3 W
	-B	W407-W408	approx. -141.4 V	approx. -143.5 V	22 k-ohms, 3 W
	+15 V	CN408 1-2 pin	approx. +15.0 V	approx. +15.0 V	10 k-ohms, 1/4 W
	-15 V	CN408 3-2 pin	approx. -15.0 V	approx. -15.0 V	10 k-ohms, 1/4 W
XP5000	+B	W406-W407	approx. +113.1 V	approx. +124.3 V	22 k-ohms, 3 W
	-B	W407-W408	approx. -113.1 V	approx. -124.3 V	22 k-ohms, 3 W
	+15 V	CN408 1-2 pin	approx. +15.0 V	approx. +15.0 V	10 k-ohms, 1/4 W
	-15 V	CN408 3-2 pin	approx. -15.0 V	approx. -15.0 V	10 k-ohms, 1/4 W

Note: The output voltage may be out of the range if it is measured without the load resistance or the power supply voltage differs from the specified in the table 1-1.

2-3 Discharge (See page 51)

To prevent the electrical shock (discharge of the electric charge from the capacitor), discharge electricity between the following part when handling the PS circuit board.

- Between the positive (+) and negative (–) terminals of C420 and C421. If you have left the unit for 10 minutes or more after turning the power off, you do not have to discharge.
- Between W406-W407, and W407-W408.
- Between the terminals of C402.

3. Example of Repair

All DC voltage is not output from secondary side.

3-1 Instruction

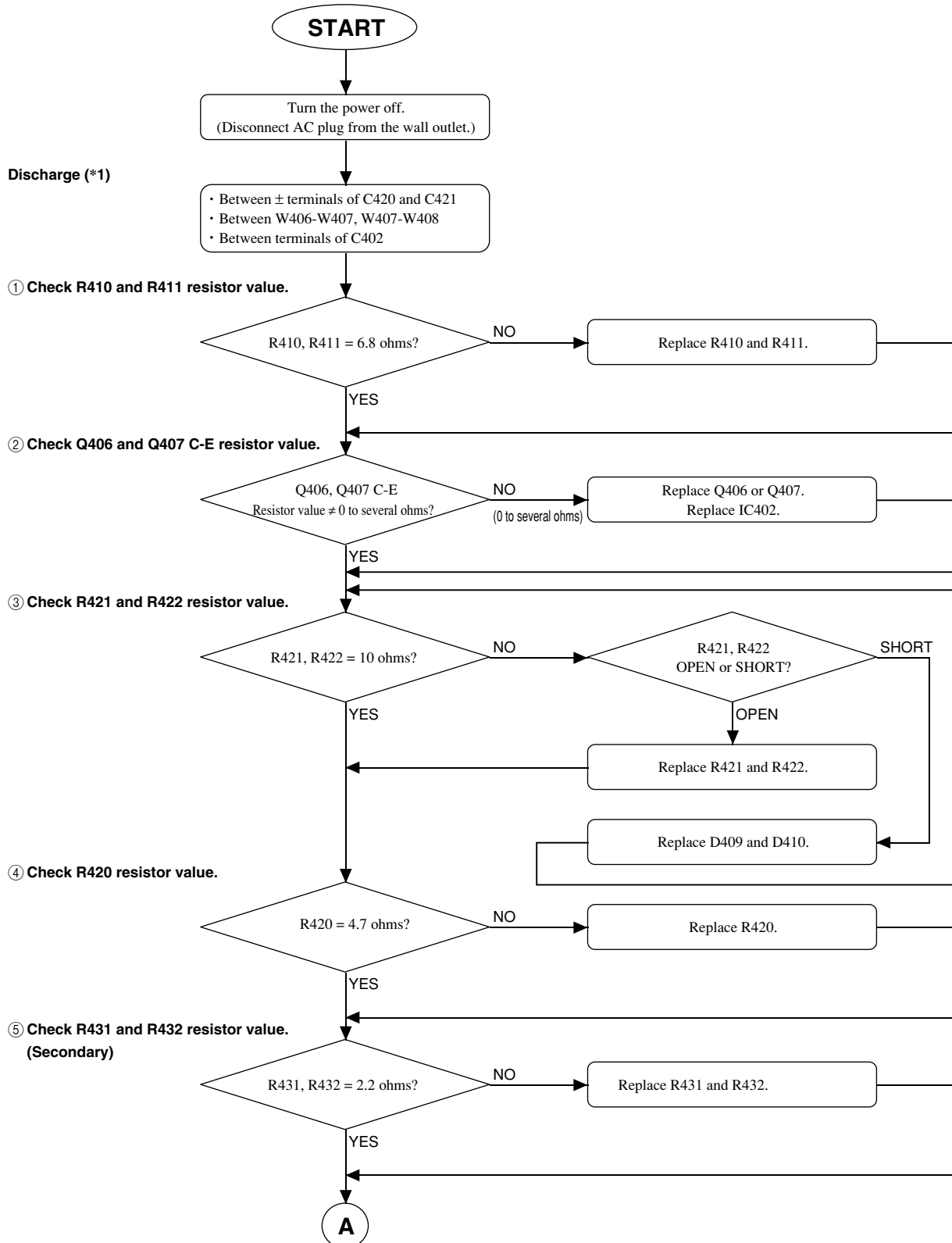
Follow the instruction below. (See section 3-2 and diagram 3-3 on page 64.)

- ① Check the resistor value of R410 and R411 (6.8 ohms, 5 W).
If opened, replace R410 and R411.
- ② Check the resistor value between C-E of Q406 and Q407.
If short-circuited or the resistor value lowers by several values (ohm), remove Q406 or Q407. Also replace IC402 because it is broken.
- ③ Check the resistor value of R421 and R422 is 10 ohms.
If opened or the resistor value increases, replace R421 and R422.
If short-circuited or the resistor value is extremely small, replace D409 and D410. After replacing D409 and D410, check the resistor value again.
- ④ Check the resistor value of R420 is 4.7 ohms.
If opened or the resistor value increases, replace R420.
- ⑤ Check the resistor value of R431 and R432.
If opened or the resistor value increases, replace R431 and R432.
- ⑥ Check the resistor value of F401.
If opened, replace F401.
- ⑦ After checking items ① to ⑥, put the AC power and check the waveform between pin 1 (LO) and pin 2 (COM) of IC402 with oscilloscope. Check the measured waveform is the recutaugular wave (0-15 V) around 70 kHz.
If the measured waveform is abnormal, check the output of IC403 (3-pin regulator) is +15 V.
If the output is less than +15 V, replace IC402 and check the waveform again. If IC402 is already replaced, replace IC401.
* When measuring the waveform, short-circuit PR401.
- ⑧ Check the "2. Electrical Performance" is satisfied. If satisfied, repair is finished.

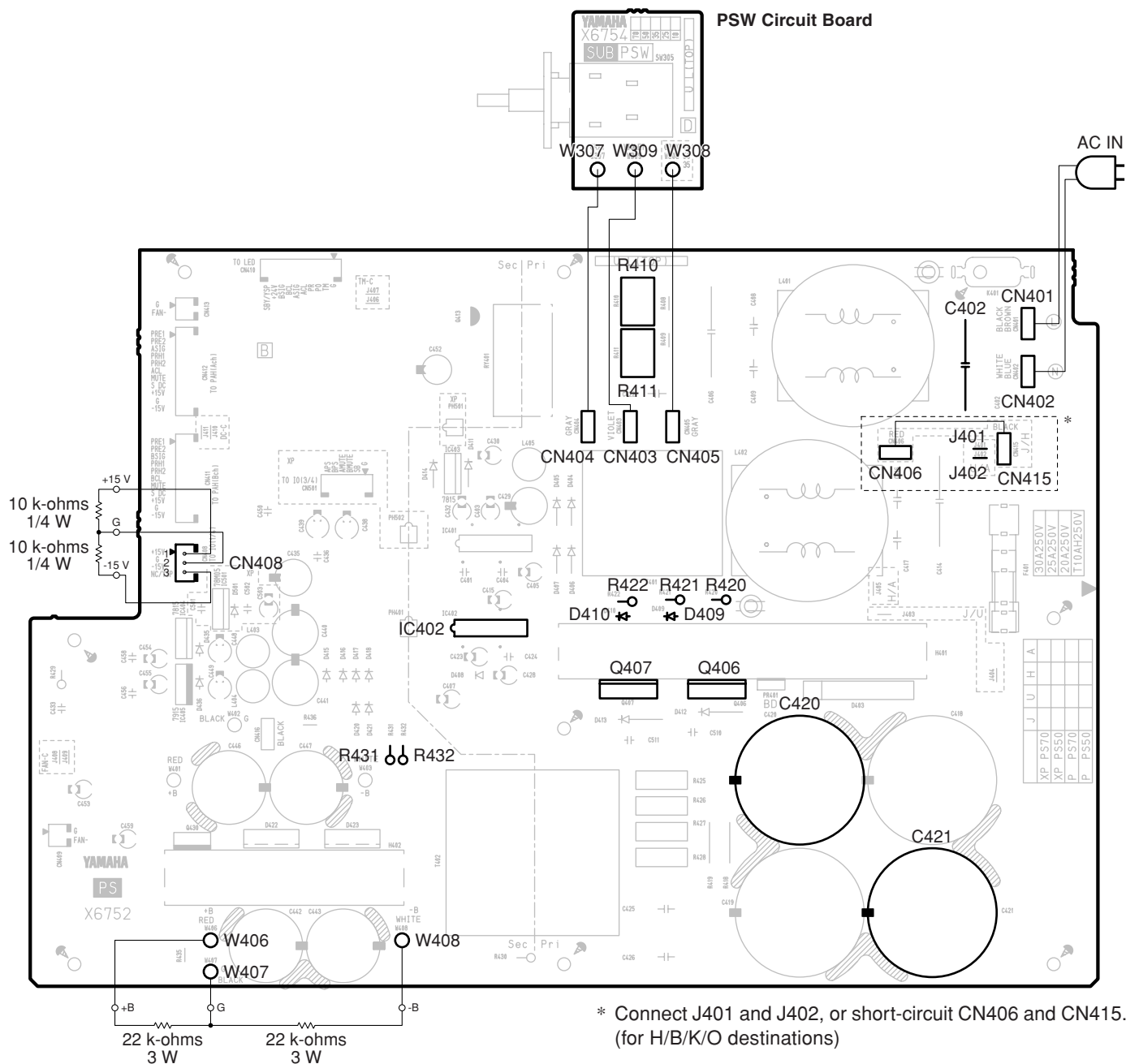
3-2 Repair Flowchart

Check the primary side circuit.

Note: Check and repair must be done carefully, otherwise the electrical shock may be caused.

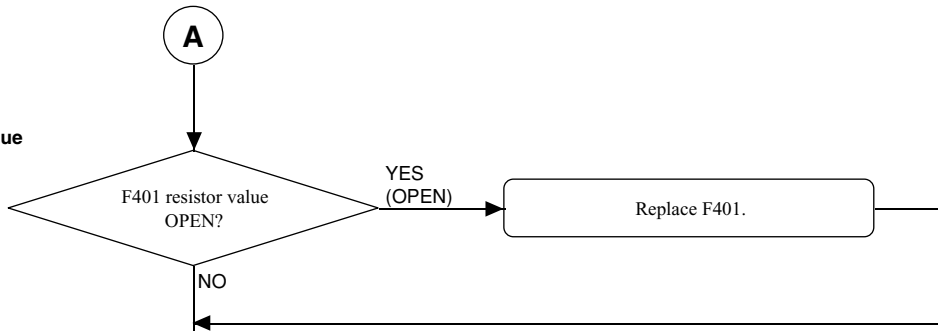


*1) To prevent the electrical shock, be sure to discharge electricity from the capacitor.
Discharge is not necessary if you have left the unit for 10 minutes or more after turning the power off.



REF NO.	PART NO.	DESCRIPTION	部 品 名	REMARKS
①	R410	WN067400	Wire Wound Resistor 6.8 5W K	セメント抵抗
	R411	WN067400	Wire Wound Resistor 6.8 5W K	セメント抵抗
②	IC402	X2382A00	IC IR2110	I C
	Q406	V8629500	IGBT IRG4PC50U	I G B T
	Q407	V8629500	IGBT IRG4PC50U	I G B T
③	D409	WA757600	Diode AL01Z	ダイオード
	D410	WA757600	Diode AL01Z	ダイオード
	R421	HV754100	Flame Proof C. Resistor 10 1/4W J	不燃化カーボン抵抗
	R422	HV754100	Flame Proof C. Resistor 10 1/4W J	不燃化カーボン抵抗
④	R420	HV753470	Flame Proof C. Resistor 4.7 1/4W J	不燃化カーボン抵抗
	R431	HV753220	Flame Proof C. Resistor 2.2 1/4W J	不燃化カーボン抵抗
⑤	R432	HV753220	Flame Proof C. Resistor 2.2 1/4W J	不燃化カーボン抵抗

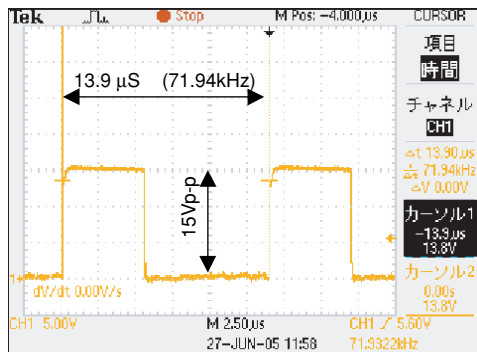
⑥ Check F401 resistor value



⑦ Check the waveform.

Note: Do not short-circuit the oscilloscope chassis with the chassis of this unit when checking the waveform.

■ Check the waveform between pin 1-2 (LO-COM) of IC402

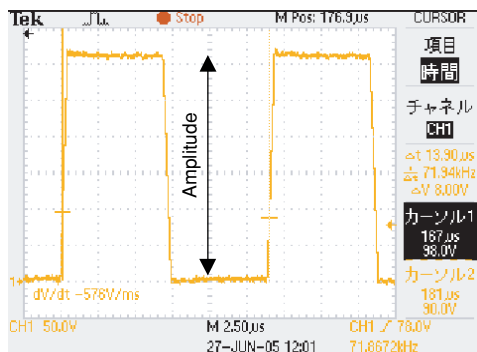


Check the rectangular wave.

- Period: approx. 14 μ S (approx. 70kHz)
- Amplitude: approx. 15 Vp-p

(Probe GND: IC402 Pin 2)

■ Check the waveform between emitter and collector of Q407 (IGBT)



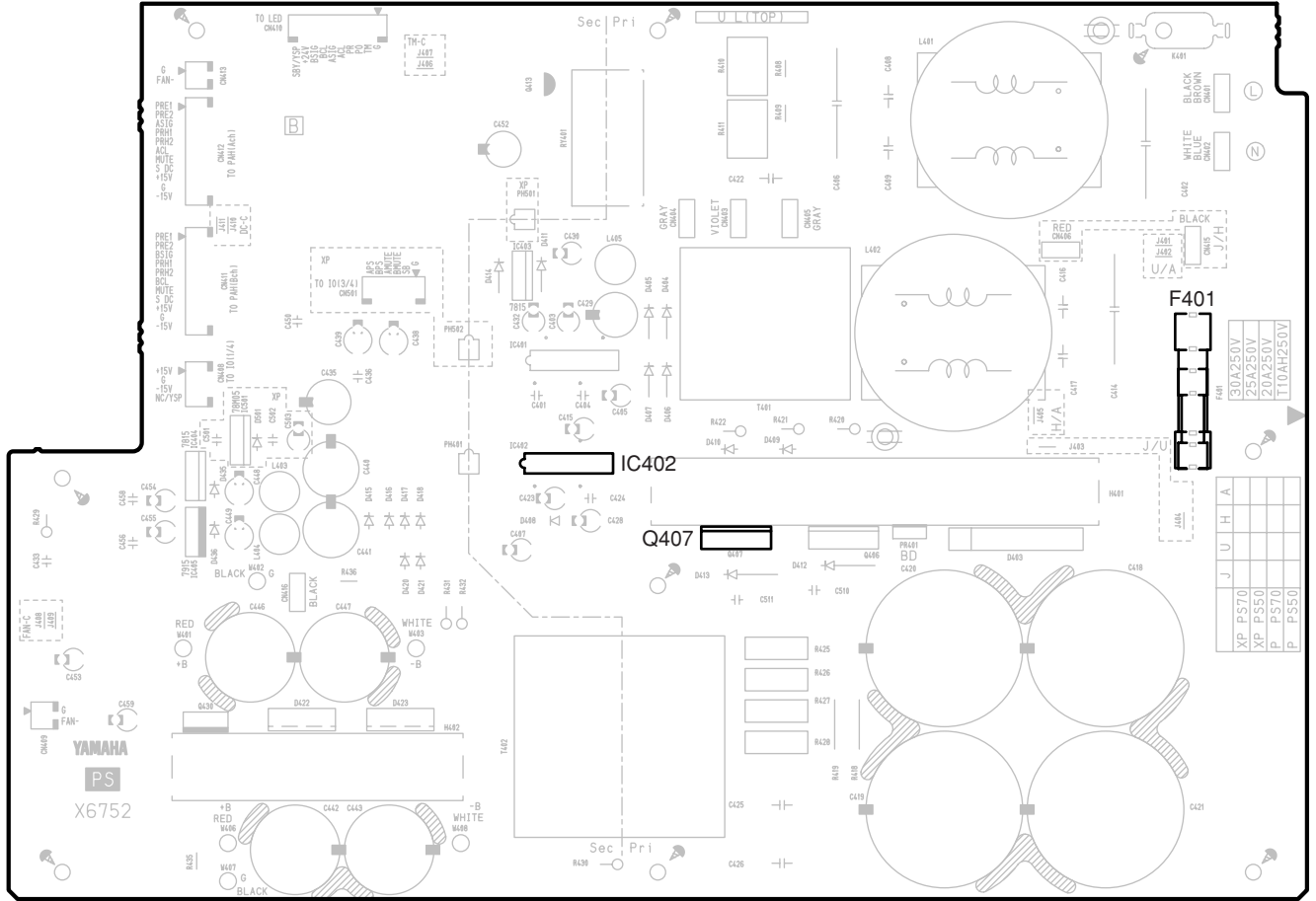
Check the rectangular wave.

- Period: approx. 14 μ S (approx. 70kHz)
- Amplitude: approx. 338 Vp-p (U/V)
approx. 320 Vp-p (H/B/W/K/O)
approx. 338 Vp-p (A)

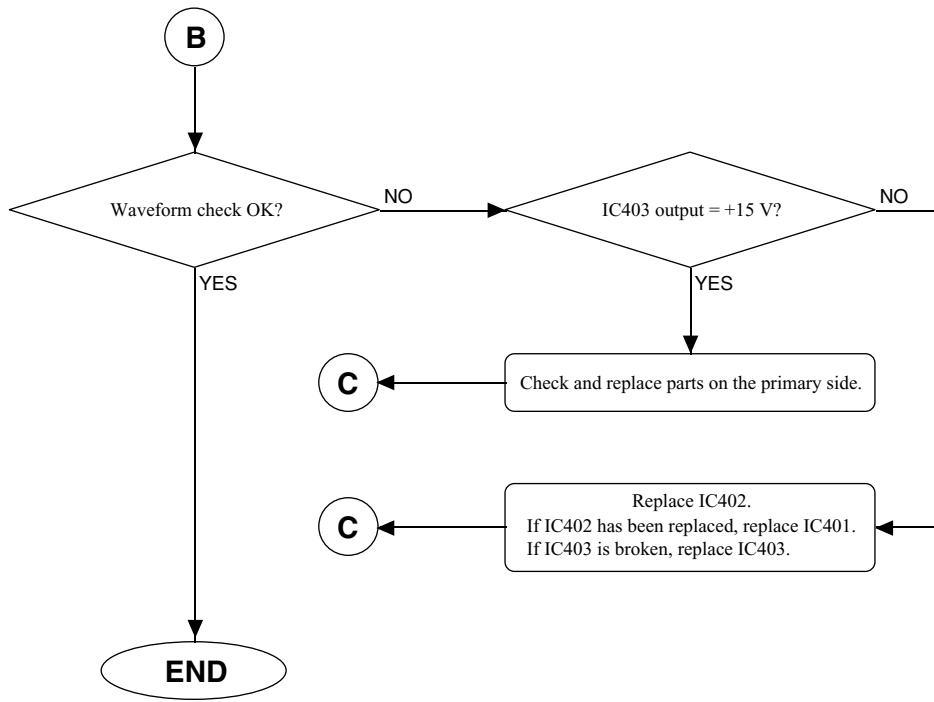
Amplitude may vary depending on the primary side.

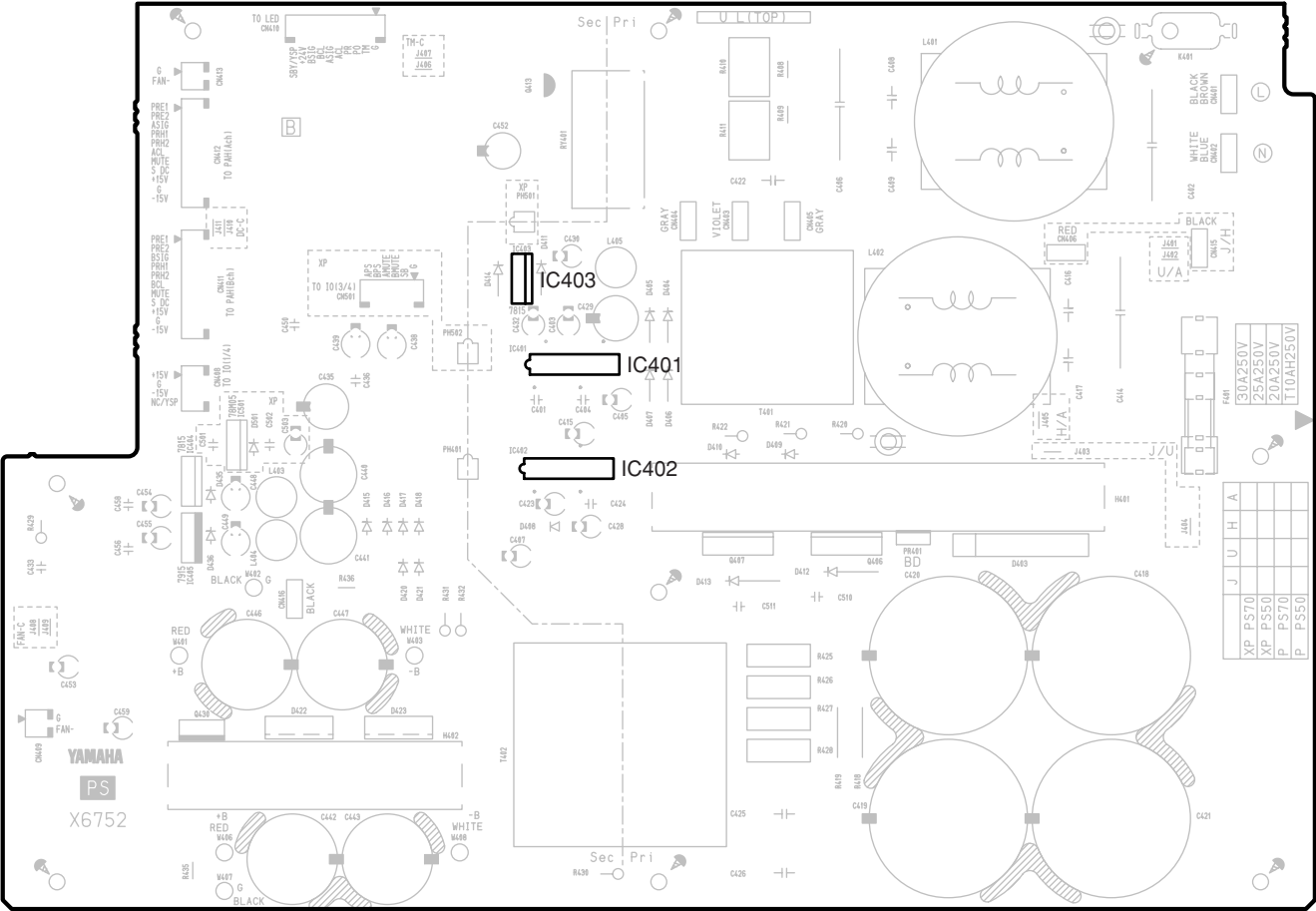
(Probe GND: IC402 Pin 2)

B



	REF NO.	PART NO.	DESCRIPTION	部 品 名	REMARKS
⑥	F401	WA864500	Fuse	30A 250V JU	ヒューズ 2 5 0 V XP7000 J
	F401	V8932000	Fuse	25A 250V JU	ヒューズ 2 5 0 V XP7000 U,T
	F401	V5413700	Fuse	TH 10A 250V	ヒューズ 2 5 0 V XP7000 H,B,A,K,O
	F401	V8932000	Fuse	25A 250V JU	ヒューズ 2 5 0 V XP5000 J
	F401	V8932100	Fuse	20A 250V JU	ヒューズ 2 5 0 V XP5000 U,T
	F401	V5413700	Fuse	TH 10A 250V	ヒューズ 2 5 0 V XP5000 H,B,A,K,O
⑦	IC402	X2382A00	IC	IR2110	I C DRIVER
	Q407	V8629500	IGBT	IRG4PC50U	I G B T





REF NO.	PART NO.	DESCRIPTION		部 品 名		REMARKS	
⑦	IC401	X2383A00	IC	SG3525AN	I	C	REGULATING PWM
	IC402	X2382A00	IC	IR2110	I	C	DRIVER
	IC403	XD853A00	IC	NJM7815FA	I	C	REGULATOR +15V

■ PSシート故障修理ガイド

1. 適用シート

このガイドは表1-1に示されたシートの修理時に適用されます。

表 1-1

モデル	シート名	部品番号	仕向	電源電圧
XP7000	PS70J	WF397100	J	AC 100 V
XP5000	PS50J	WF397500	J	AC 100 V

2. 正常動作時電氣的性能

2-1 準備(59ページ参照)

- ・ PSWシート (XP7000 = WF400100、XP5000 = WF400200) をCN403、CN404、CN405に接続します。
- ・ J401とJ402、またはCN406とCN415を接続します。修理完了後は元の状態に戻してください。
- ・ 電源電圧を各シートに合った電源電圧に調整します。表1-1を参照してください。

2-2 各部電圧(59ページ参照)

POWERスイッチをONにしたとき、各部出力電圧は表2-1の範囲に入っていれば正常です。

表 2-1

モデル	測定部	測定場所	出力電圧(DC)	負荷抵抗
XP7000	+B	W406-W407間	約 +150.8 V	22 k-ohms、3 W
	-B	W407-W408間	約 -150.8 V	22 k-ohms、3 W
	+15 V	CN408 1-2ピン間	約 +15.0 V	10 k-ohms、1/4 W
	-15 V	CN408 3-2ピン間	約 -15.0 V	10 k-ohms、1/4 W
XP5000	+B	W406-W407間	約 +122.5 V	22 k-ohms、3 W
	-B	W407-W408間	約 -122.5 V	22 k-ohms、3 W
	+15 V	CN408 1-2ピン間	約 +15.0 V	10 k-ohms、1/4 W
	-15 V	CN408 3-2ピン間	約 -15.0 V	10 k-ohms、1/4 W

注：負荷抵抗なしで出力電圧を測定した場合や表1-1に示された電源電圧が変動している場合は、表2-1の出力電圧にならない場合があります。

2-3 放電(59ページ参照)

PSシート単体で取り扱う場合には、感電防止(コンデンサの電荷を放電)のため、下記端子を抵抗で放電します。

- ・ C420およびC421の±端子間。ただしPOWERスイッチをOFFしたあと、10分以上放置すれば放電の必要はありません。
- ・ W406-W407間およびW407-W408間。
- ・ C402の端子間。

3. 故障箇所の修理具体例

2次側出力電圧が、すべて出力されない。

3-1 確認・修理手順

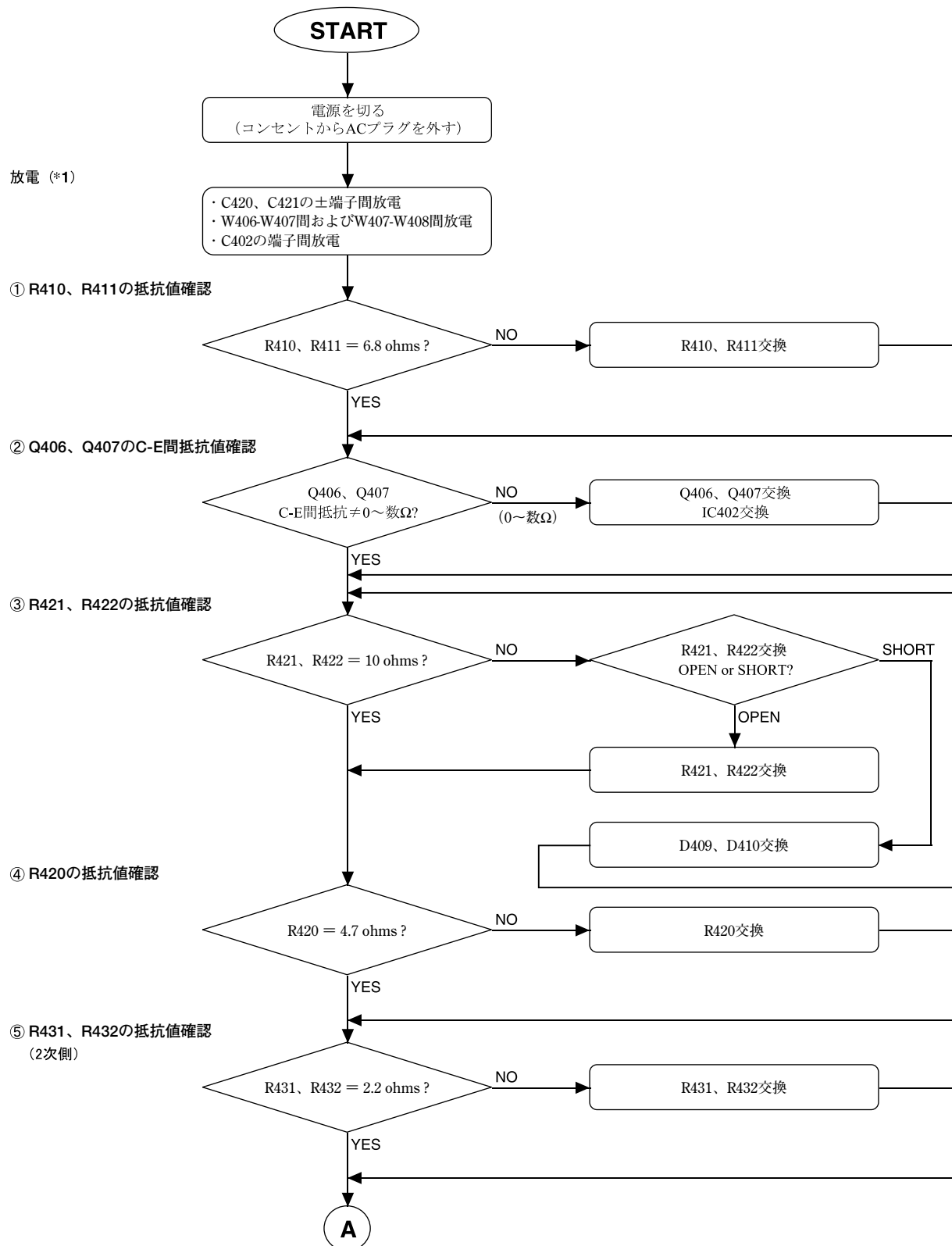
下記手順に従ってください。(3-2項および64ページの回路図3-3を参照してください。)

- ① R410およびR411(6.8 ohms、5 W)の抵抗値を確認します。
オープンしている場合は、交換してください。
- ② Q406およびQ407のC-E間の抵抗値を確認します。
ショートまたは抵抗値が低下(数 ohm程度)している場合は、その部品を外してください。この場合、IC402が破損していますので交換してください。
- ③ R421およびR422の抵抗値が10 ohmsであることを確認します。
オープンまたは抵抗値が増大している場合は、交換してください。
ショートまたは抵抗値が極端に小さい場合は、D409およびD410を交換してください。D409、D410交換後、抵抗値を再確認してください。
- ④ R420の抵抗値が4.7 ohmsであることを確認します。
オープンまたは抵抗値が増大している場合は、交換してください。
- ⑤ R431およびR432の抵抗値を確認します。
オープンまたは抵抗値が増大している場合は、交換してください。
- ⑥ F401の抵抗値を確認します。
オープンしている場合は、交換してください。
- ⑦ ①から⑥終了後、AC電源を入れ、IC402の1番ピン(LO)と2番ピン(COM)間の波形をオシロスコープで測定します。約70 kHzの矩形波(0-15 V)であれば正常です。
波形が異常な場合は、IC403(3端子レギュレータ)の出力が+15 Vであることを確認します。
出力が+15 V以下の場合は、IC402を交換して波形を再測定します。IC402をすでに交換している場合は、IC401を交換してください。
* 波形測定の際は、PR401をショートしてください。
- ⑧ 「2. 正常動作時電氣的性能」を確認し、問題なければ修理完了です。

3-2 修理フローチャート

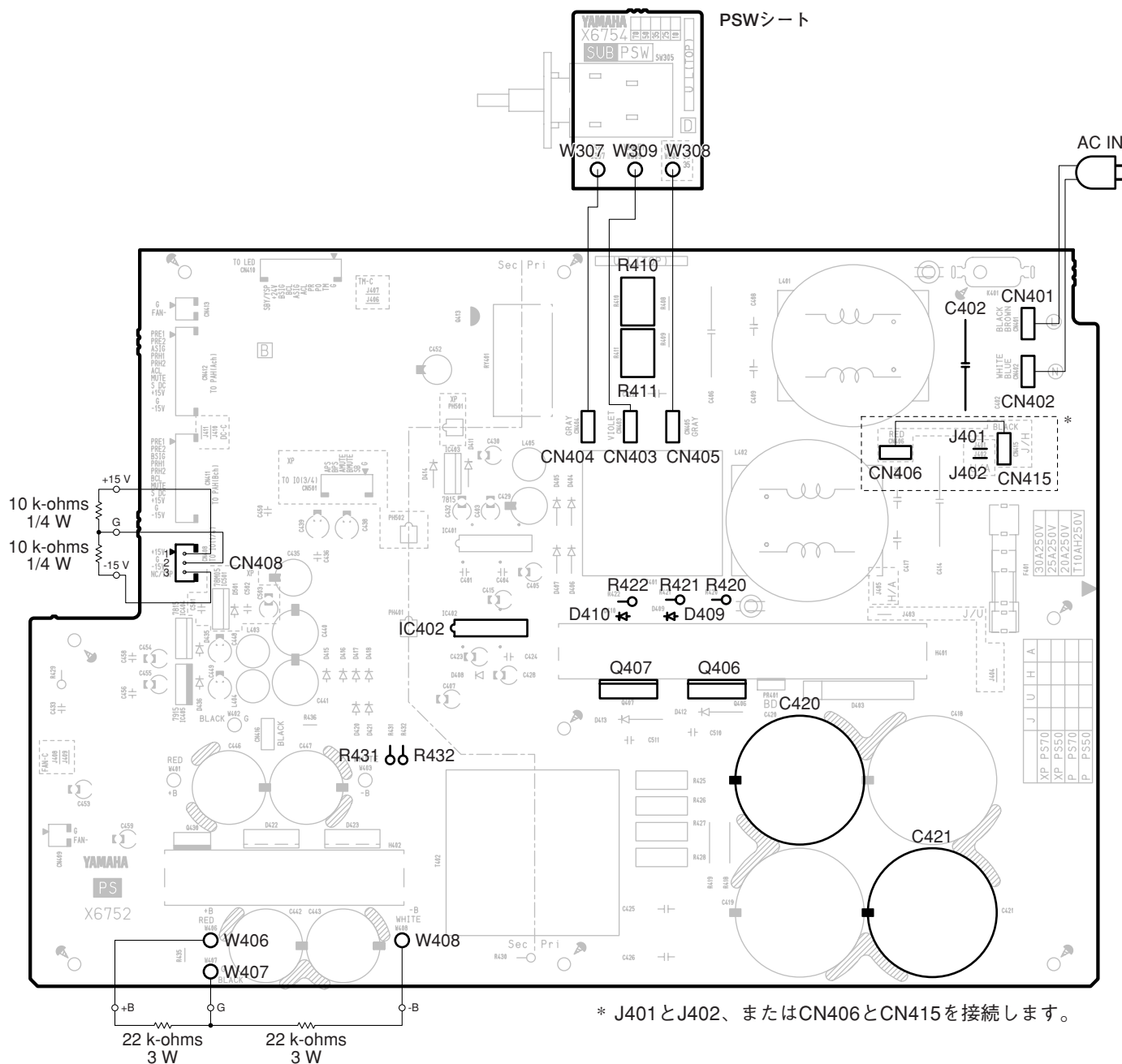
1次側回路を確認します。

注意：感電するおそれがありますので、注意して作業してください。



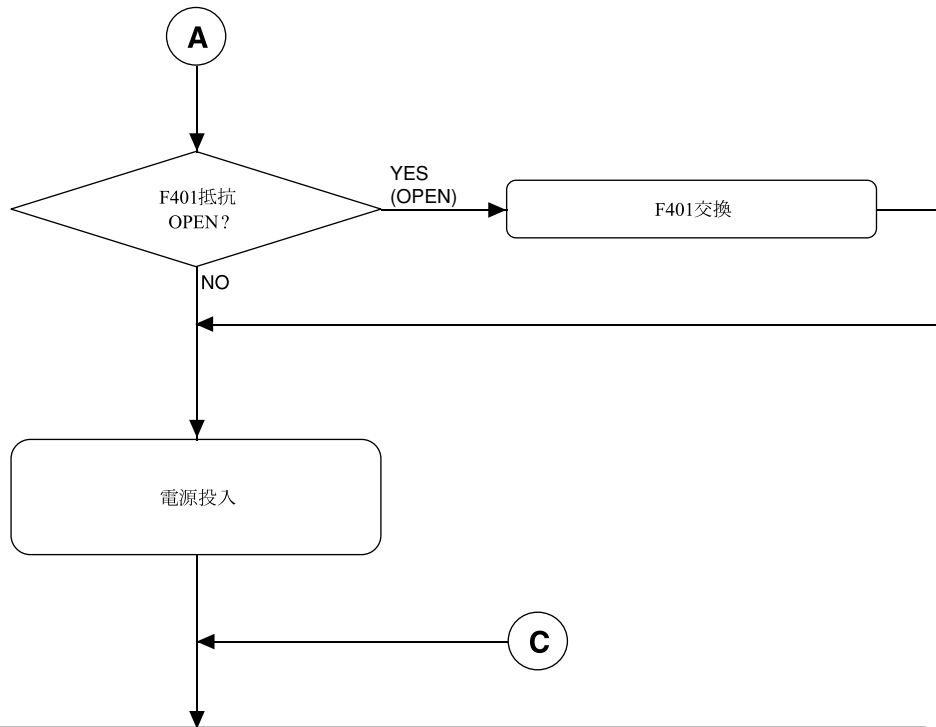
*1) 感電防止のため、必ずコンデンサの電荷放電を行ってください。

POWERスイッチをOFFしたあと、10分以上経過していれば強制放電の必要はありません。



REF NO.	PART NO.	DESCRIPTION	部 品 名	REMARKS	
①	R410	WN067400	Wire Wound Resistor	6.8 5W K	セメント抵抗
	R411	WN067400	Wire Wound Resistor	6.8 5W K	セメント抵抗
②	IC402	X2382A00	IC	IR2110	I C
	Q406	V8629500	IGBT	IRG4PC50U	I G B T
	Q407	V8629500	IGBT	IRG4PC50U	I G B T
③	D409	WA757600	Diode	AL01Z	ダイオード
	D410	WA757600	Diode	AL01Z	ダイオード
	R421	HV754100	Flame Proof C. Resistor	10 1/4W J	不燃化カーボン抵抗
	R422	HV754100	Flame Proof C. Resistor	10 1/4W J	不燃化カーボン抵抗
④	R420	HV753470	Flame Proof C. Resistor	4.7 1/4W J	不燃化カーボン抵抗
	R431	HV753220	Flame Proof C. Resistor	2.2 1/4W J	不燃化カーボン抵抗
⑤	R432	HV753220	Flame Proof C. Resistor	2.2 1/4W J	不燃化カーボン抵抗

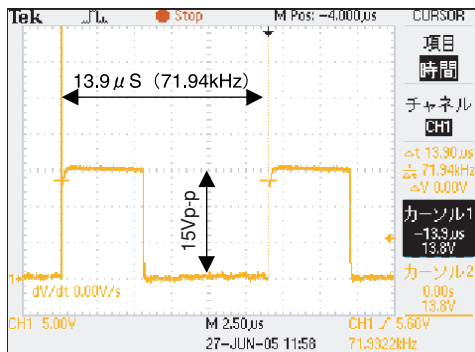
⑥ F401の抵抗値確認



⑦ 波形確認

注意：製品の状態で確認を行う場合は、オシロスコープのシャーンと製品のシャーンを接続（ショート）しないでください。

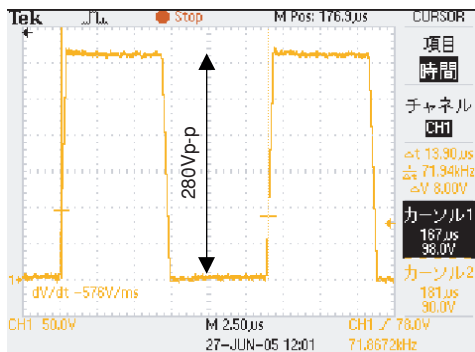
■ IC402：1-2ピン（LO-COM）間の波形測定



矩形波を確認します。
 ・周期：約14 μ S（約70kHz）
 ・振幅：約15Vp-p

（プローブアース：IC402 2ピン）

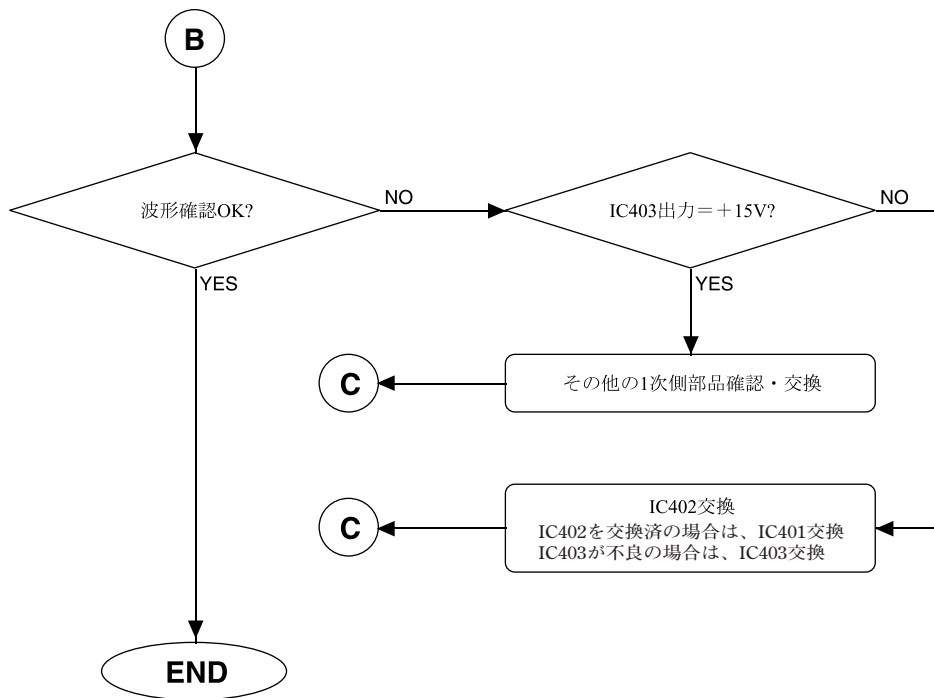
■ Q407（IGBT）：コレクタ-エミッタ間の波形測定

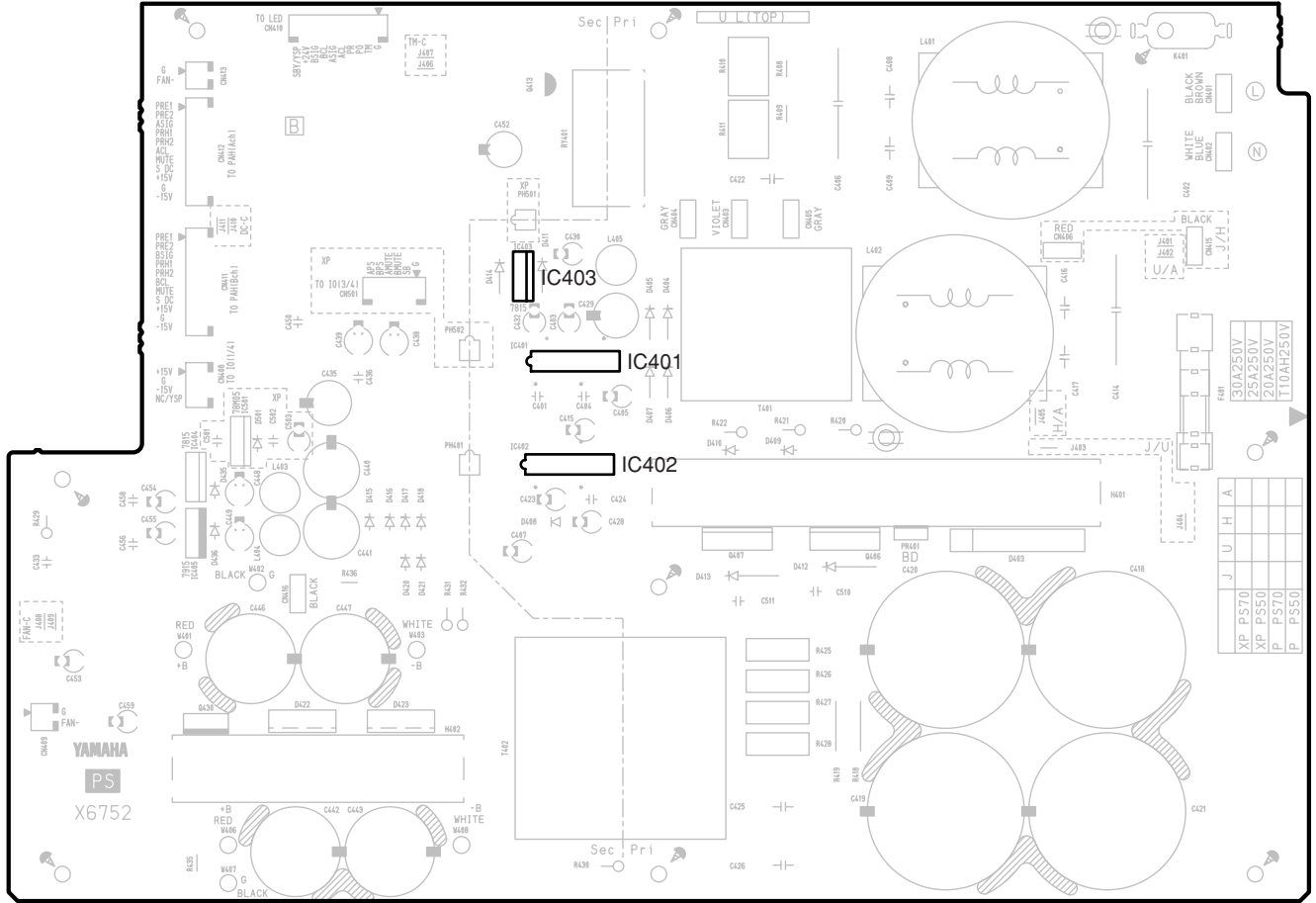


矩形波を確認します。
 ・周期：約14 μ S（約70kHz）
 ・振幅：約280Vp-p
 1次電源の状態で多少変化します。

（プローブアース：IC402 2ピン）

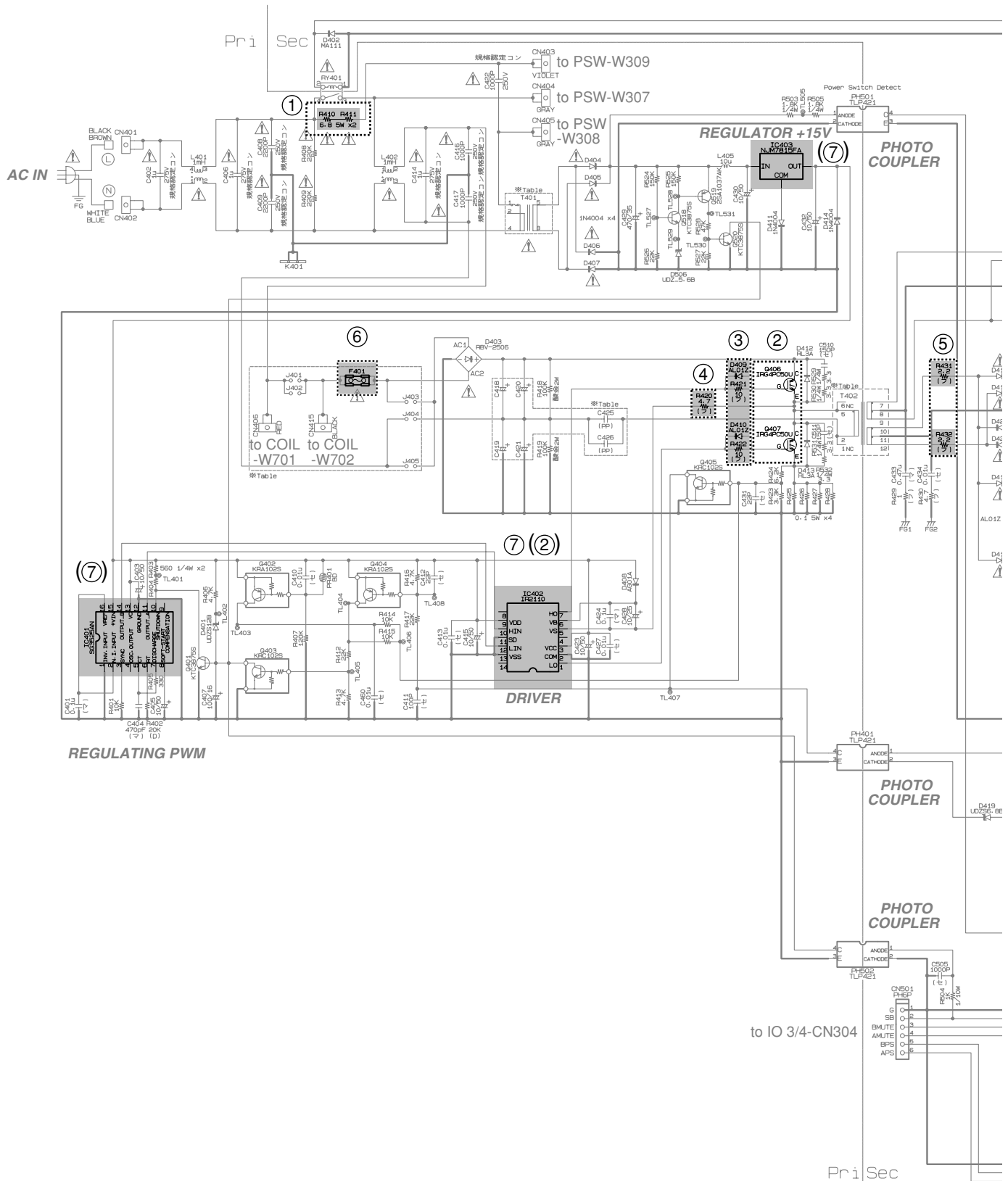
B





REF NO.	PART NO.	DESCRIPTION		部 品 名		REMARKS	
⑦	IC401	X2383A00	IC	SG3525AN	I	C	REGULATING PWM
	IC402	X2382A00	IC	IR2110	I	C	DRIVER
	IC403	XD853A00	IC	NJM7815FA	I	C	REGULATOR +15V

3-3 Parts of Check and Repair on the Diagram. (主要チェック/修理部品)



Components in gray area indicates parts to repair.
(灰色の部品は主要修理部品です。)

POWER AMPLIFIER

XP 7000/XP 5000

PARTS LIST

■ CONTENTS (目次)

OVERALL ASSEMBLY (総組立)	2
PA UNIT (PAユニット)	5
ELECTRICAL PARTS (電気部品)	7

Notes: DESTINATION ABBREVIATIONS

A : Australian model	M : South African model
B : British model	O : Chinese model
C : Canadian model	Q : South-east Asia model
D : German model	T : Taiwan model
E : European model	U : U.S.A. model
F : French model	V : General export model (110V)
H : North European model	W : General export model (220V)
I : Indonesian model	N,X: General export model
J : Japanese model	Y : Export model
K : Korean model	

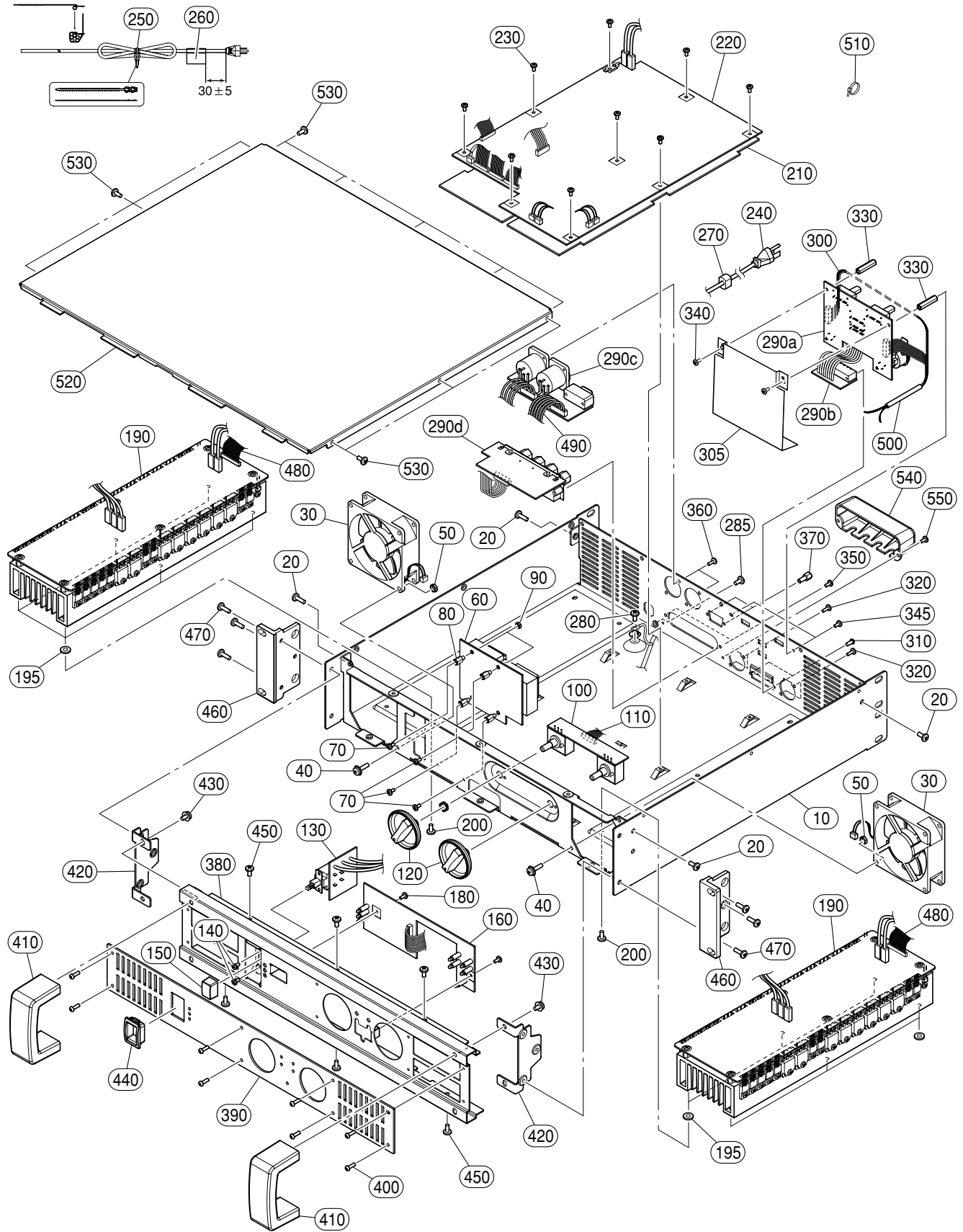
■ WARNING (注意)

Components having special characteristics are marked and \triangle must be replaced with parts having specification equal to those originally installed.

\triangle 印の部品は、安全を維持するために重要な部品です。交換する場合は、安全のために必ず指定の部品をご使用ください。

- The numbers "QTY" show quantities for each unit.
- The parts with "--" in "PART NO." are not available as spare parts.
- This mark "}" in the REMARKS column means these parts are interchangeable.
- The second letter of the shaded (■) part number is O, not zero.
- The second letter of the shaded (■) part number is I, not one.
- 部品価格ランクは、変更になることがあります。
- QTY 欄に記されている数字は、各ユニット当たりの使用個数です。
- PART NO. が "--" の部分は、サービス用部品として準備されておりません。
- REMARKS 欄の "}" マークの部品は、併用部品です。
- 網掛けの付いた PART NO. の 2 番目の文字は「ゼロ」ではなく、「オー」です。
- 網掛けの付いた PART NO. の 2 番目の文字は「イチ」ではなく、「アイ」です。

OVERALL ASSEMBLY (総組立)



REF NO.	PART NO.	DESCRIPTION	部 品 名	REMARKS	QTY	RANK
	--	OVERALL ASSEMBLY	総組立	XP7000/XP5000		
	--	Overall Assembly	総組立	XP7000 J (WF25020)		
	--	Overall Assembly	総組立	XP7000 U,T (WF25030)		
	--	Overall Assembly	総組立	XP7000 H,K (WF25040)		
	--	Overall Assembly	総組立	XP7000 B (WF25050)		
	--	Overall Assembly	総組立	XP7000 A (WF25060)		
	--	Overall Assembly	総組立	XP7000 O (WF25090)		
	--	Overall Assembly	総組立	XP5000 J (WF25110)		
	--	Overall Assembly	総組立	XP5000 U,T (WF25120)		
	--	Overall Assembly	総組立	XP5000 H,K (WF25130)		
	--	Overall Assembly	総組立	XP5000 B (WF25140)		
	--	Overall Assembly	総組立	XP5000 A (WF25150)		
	--	Overall Assembly	総組立	XP5000 O (WF25180)		
* 10	WF257900	Main Chassis	メインシャーシ印刷			
20	WE962000	Bind Head Screw	4x8 MFZN2B3	Bタイト+B I N D	4	01
30	WA968500	Fan	RDH8025S2	D C フ ァ ン	2	06
40	WE984000	Bind Head Screw	4x16 MFZN2W3 SP	小ネジ+ B I N D	4	01
* 50	WG169200	Hexagonal Nut	M4 #1	6 角 ナ ッ ト	4	
* 60	WF401800	Circuit Board	COIL J	C O I L シ ー ト J		
* 60	WF401900	Circuit Board	COIL H	C O I L シ ー ト H,B,K,O		
70	WE877900	Bind Head Tapping Screw-S	3x6 MFZN2W3	Sタイト+ B I N D	4	01
80	WD490000	Hexagonal Spacer	H=7.5 B=5.5	6 角 ス ペ ー サ ー	4	
* 90	WG169200	Hexagonal Nut	M4 #1	6 角 ナ ッ ト	4	
* 100	WF400600	Circuit Board	VR (SUB)	V R シ ー ト		
* 100	WF400700	Circuit Board	VR (SUB)	V R シ ー ト		
110	WD359600	Connector Assembly	ATT	束線 A T T		
120	WD490700	Attenuation Knob, Printed		アッテネーターノブ	2	03
* 130	WF400100	Circuit Board	PSW (SUB)	P S W シ ー ト		
* 130	WF400200	Circuit Board	PSW (SUB)	P S W シ ー ト		
140	WE877900	Bind Head Tapping Screw-S	3x6 MFZN2W3	Sタイト+ B I N D	2	01
150	WD345600	Power Switch Knob		P S W ノ ブ		01
* 160	WF401100	Circuit Board	LED (SUB)	L E D シ ー ト		
* 160	WF401200	Circuit Board	LED (SUB)	L E D シ ー ト		
180	WE877900	Bind Head Tapping Screw-S	3x6 MFZN2W3	Sタイト+ B I N D	2	01
* 190	WF258600	PA Unit		P A ユ ニ ッ ト	2	
* 190	WF258700	PA Unit		P A ユ ニ ッ ト	2	
195	WF578600	Flat Washer	4x8x0.8 MFZN2W3	平座小型丸	12	01
200	WE962000	Bind Head Screw	4x8 MFZN2B3	Bタイト+ B I N D	12	01
210	WF520100	Sheet		制振シ ー ト		
* 220	WF397100	Circuit Board	PS J	P S シ ー ト		
* 220	WF397200	Circuit Board	PS U	P S シ ー ト		
* 220	WF397300	Circuit Board	PS H	P S シ ー ト		
* 220	WF397400	Circuit Board	PS A	P S シ ー ト		
* 220	WF397500	Circuit Board	PS J	P S シ ー ト		
* 220	WF397600	Circuit Board	PS U	P S シ ー ト		
* 220	WF397700	Circuit Board	PS H	P S シ ー ト		
* 220	WF397800	Circuit Board	PS A	P S シ ー ト		
230	WE877900	Bind Head Tapping Screw-S	3x6 MFZN2W3	Sタイト+ B I N D	9	01
240	V9842200	AC Cord	2x3	電 源 コ ー ド J		08
* 240	WG619900	AC Cord	UC SJT 3X18AWG 10A	電 源 コ ー ド U,T		
240	WC183300	AC Cord	H H05VV-F0.75X316A	電 源 コ ー ド H,A,K		05
240	WC183500	AC Cord	BS H05VV-F 13A	電 源 コ ー ド B		08
240	WD030800	AC Cord	CHN 10A 250V 2.5M	電 源 コ ー ド O		05
250	V3662800	Cord Strap	CS-180	コ ー ド ス ト ラ ッ プ		01
260	--	Label		注 意 コ ー ド ラ べ ル J		(WB12860)
270	VV103100	Cord Strain Relief	SR-6P1	コ ー ド ス ト ッ パ ー		01
280	WE941800	Bind Head Tapping Screw-S	4x8 MFZN2W3	Sタイト+ B I N D		01
285	WE994800	Bind Head Tapping Screw-S	4x8 MFZN2B3	Sタイト+ B I N D		01
* 290	WF399600	Circuit Board	IO (SUB)	I O シ ー ト		
* 290	WF399700	Circuit Board	IO (SUB)	I O シ ー ト		
* 290a	--	Circuit Board	IO 1/4	I O 1 / 4 シ ー ト		(WF39960)(WF39970)
* 290b	--	Circuit Board	IO 2/4	I O 2 / 4 シ ー ト		(WF39960)(WF39970)
* 290c	--	Circuit Board	IO 3/4	I O 3 / 4 シ ー ト		(WF39960)(WF39970)
* 290d	--	Circuit Board	IO 4/4	I O 4 / 4 シ ー ト		(WF39960)(WF39970)
* 300	WF442900	Connector Assembly	SIG	束線 S I G		
305	--	Shield Sheet		シ ー ル ド 紙		(WG46350)
310	WE986400	Pan Head Screw	2.6x6 MFZN2B3	小ネジ+ P A N	2	01
320	WE878000	Bonding Tapping Screw-B	3x10 MFZN2B3	Bタイト+ B O N D	4	01
330	WD490100	Hexagonal Spacer	H=24.5 B=5.5	6 角 ス ペ ー サ ー	2	
340	WE877900	Bind Head Tapping Screw-S	3x6 MFZN2W3	Sタイト+ B I N D	2	01

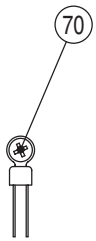
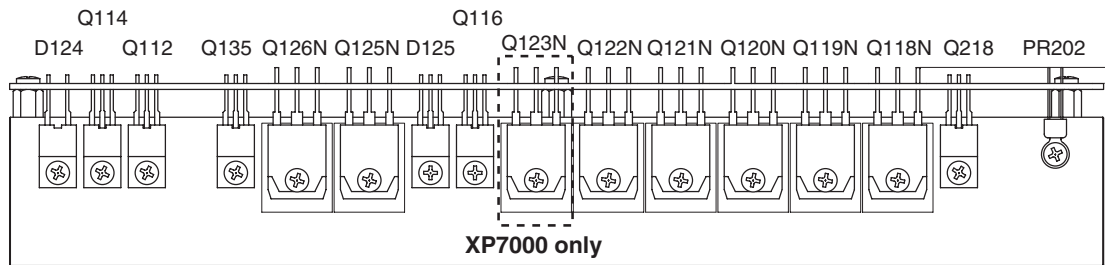
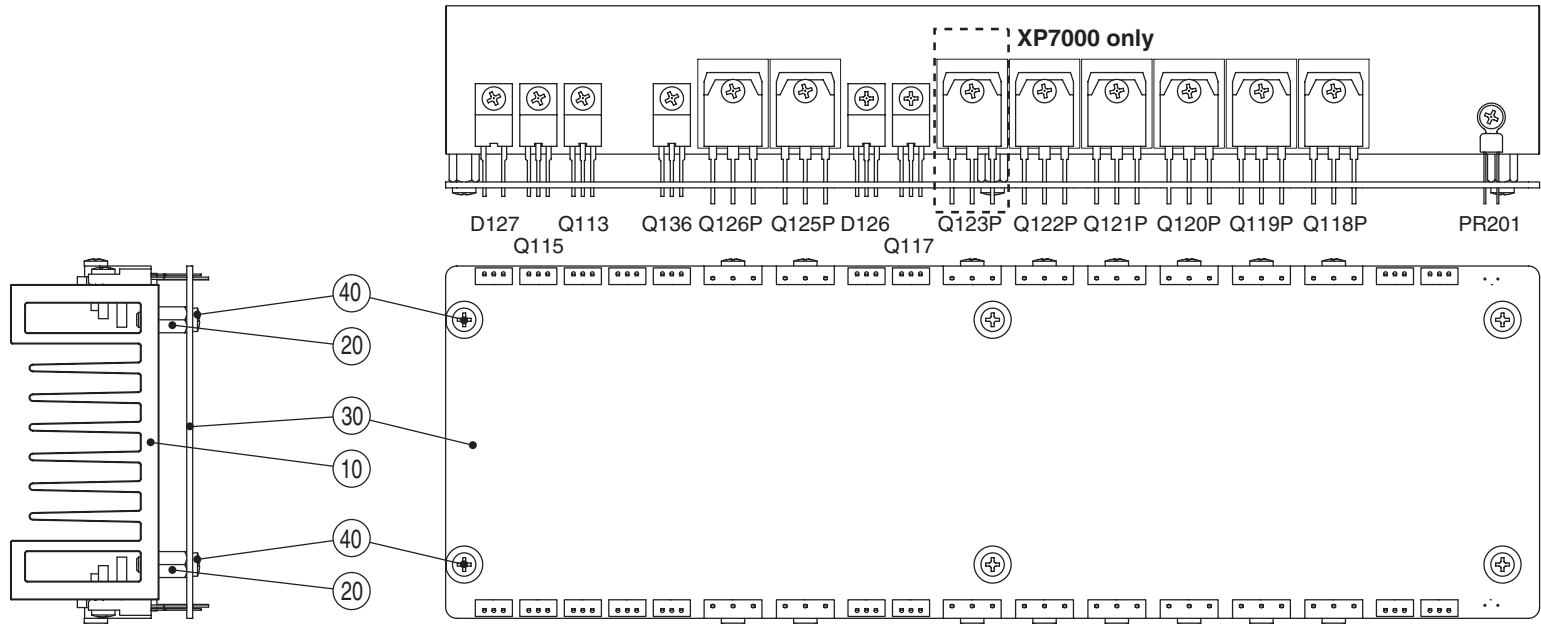
*: New Parts

RANK: Japan only

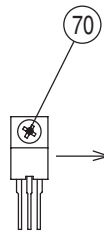
REF NO.	PART NO.	DESCRIPTION		部 品 名	REMARKS	QTY	RANK
345	WE877800	Bind Head Tapping Screw-S	3x6 MFZN2B3	S タイト + B I N D		2	01
350	WE878000	Bonding Tapping Screw-B	3x10 MFZN2B3	B タイト + B O N D		2	01
* 360	WF266800	Flat Head Tapping Screw-B	3x8 MFZN2B3	B タイト + F L A T		4	
* 370	V6706600	Hexagonal Locked Spacer	HFS-4S-B1W	6 角 ロ ッ ク ネ ジ		2	01
* 380	WF259300	Front Panel		フ ロ ン ト パ ネ ル 1 印 刷	XP7000		
* 380	WF259400	Front Panel		フ ロ ン ト パ ネ ル 1 印 刷	XP5000		
* 390	WF260000	Front Panel		フ ロ ン ト パ ネ ル 2 印 刷			
* 400	WF419400	Hex. Socket Set Screw-S	3x10 MFZN2B3	S タイト 6 角 孔 付 き		8	
* 410	WF383600	Handle		ハ ン ド ル 2 U 塗 装		2	
* 420	WD491700	Angle, Handle		ハ ン ド ル ア ン グ ル		2	
* 430	WG168300	Bind Head Screw	5x16 MFZN2W3 SP	小 ネ ジ + B I N D		4	
* 440	WD345700	Power Switch Escutcheon		P S W エ ス カ ッ シ ョ ン			01
* 450	WE962000	Bind Head Screw	4x8 MFZN2B3	B タイト + B I N D		6	01
* 460	WD492100	Rack Angle		ラ ッ ク ア ン グ ル 塗 装		2	05
* 470	WE980400	Bind Head Screw	4x10 MFZN2B3	小 ネ ジ + B I N D		6	01
* 480	WF442700	Connector Assembly	C&C+TUBE 11P 400L	束 線		2	
* 490	WF442800	Connector Assembly	C&C+TUBE 6P 450L	束 線			
500	--	Tube	18 : BLACK	ス ミ チ ュ ー ブ ク ロ	(CH00440)		
510	V3272800	Cord Holder	T18R TYTIN CO.	イ ン シ ュ ロ ッ ク タ イ	J,H,B,K,O	12	
510	V3272800	Cord Holder	T18R TYTIN CO.	イ ン シ ュ ロ ッ ク タ イ	U,A,T	11	
520	WD492300	Top Cover		ト ッ プ カ バ ー 塗 装			08
530	WE962000	Bind Head Screw	4x8 MFZN2B3	B タイト + B I N D		11	01
540	WD494500	Speaker Terminal Cover		S P タ ー ミ ナ ル カ バ ー			
550	WE877800	Bind Head Tapping Screw-S	3x6 MFZN2B3	S タイト + B I N D		2	01
ACCESSORIES							
A	WF078800	Mini Lug Terminal Assembly		付 属 品	XP7000/XP5000		
A1	--	Mini Lug Terminal 3P	MC100-50803	端 子 台 A s s ' y		2	06
B	WD494200	Security Cover Assembly		ミ ニ 端 子 台 3 P	(V455980)		
B1	--	Security Cover		S / C A s s ' y	(WD49410)		04
B2	--	Hexagonal Wrench	2MM 16x50 BE ZINC	セ キ ュ リ テ ィ ー カ バ ー	(WD49390)		
				六 角 レ ン チ			

*: New Parts

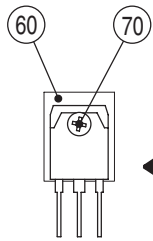
RANK: Japan only



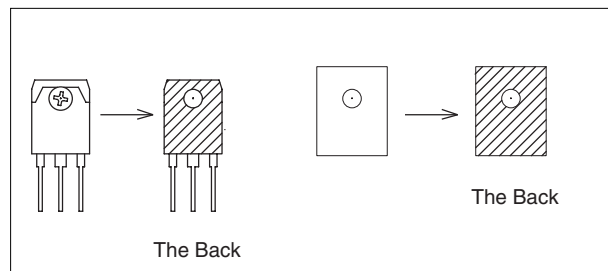
A Type



B Type



C Type



Note:
 1. Quantity A type, B type and C type: Refer to a parts list.
 2. There is not any burrs and convex wound in fitting of each types area.

Read : MAX. 3.0mm

REF NO.	PART NO.	DESCRIPTION		部 品 名	REMARKS	QTY	RANK
		PA UNIT		P A ユ ニ ッ ト	XP7000/XP5000		
*	WF258600	PA Unit		P A ユ ニ ッ ト	XP7000		
*	WF258700	PA Unit		P A ユ ニ ッ ト	XP5000		
10	WD490300	Heat Sink		ヒ ー ト シ ン ク			
20	WD490000	Hexagonal Spacer	H=7.5 B=5.5	6 角 ス ペ ー サ ー		6	
30	WF396600	Circuit Board	PAH	P A H シ ー ト	XP7000		
30	WF396700	Circuit Board	PAH	P A H シ ー ト	XP5000		
40	WE877900	Bind Head Tapping Screw-S	3x6 MFZN2W3	S タ イ ト + B I N D		6	01
60	WB448600	Radiation Sheet	RSI T=0.07	放 熱 シ ー ト	XP7000	16	01
60	WB448600	Radiation Sheet	RSI T=0.07	放 熱 シ ー ト	XP5000	14	01
70	WE877700	Bind Head Screw	3x12 MFZN2W3 SP	小 ネ ジ + B I N D	XP7000	31	
70	WE877700	Bind Head Screw	3x12 MFZN2W3 SP	小 ネ ジ + B I N D	XP5000	29	
D124	V6351700	Diode	SF20L60U	ダ イ オ ー ド			06
D125	V4816400	Diode Stack	FMU-22U 10A 200V	ダ イ オ ー ド ス タ ッ ク			03
D126	V4816400	Diode Stack	FMU-22U 10A 200V	ダ イ オ ー ド ス タ ッ ク			03
D127	V6351700	Diode	SF20L60U	ダ イ オ ー ド			06
PR201	VL965100	Positive Thermistor	PTH9M04BE222TS2	ポ ジ ス タ			04
PR202	VL964800	Positive Thermistor	PTFM04BH222Q2N34B0	ポ ジ ス タ			04
-115	V8093500	FET	2SK3003	F E T			04
-115	V8093500	FET	2SK3003	F E T			04
Q116	VQ547300	Transistor	2SC4793 (HFE) ST	ト ラ ン ジ ス タ			03
Q117	VQ547200	Transistor	2SA1837 (HFE)	ト ラ ン ジ ス タ			03
Q135	VQ547300	Transistor	2SC4793 (HFE) ST	ト ラ ン ジ ス タ			03
Q136	VQ547200	Transistor	2SA1837 (HFE)	ト ラ ン ジ ス タ			03
Q218	VQ547300	Transistor	2SC4793 (HFE) ST	ト ラ ン ジ ス タ			03
Q118N	V8094900	Pair Transistor	A1492A/C3856A	ペ ア ト ラ ン ジ ス タ			05
Q118P	V8094900	Pair Transistor	A1492A/C3856A	ペ ア ト ラ ン ジ ス タ			05
Q119N	V8094900	Pair Transistor	A1492A/C3856A	ペ ア ト ラ ン ジ ス タ			05
Q119P	V8094900	Pair Transistor	A1492A/C3856A	ペ ア ト ラ ン ジ ス タ			05
Q120N	V8094900	Pair Transistor	A1492A/C3856A	ペ ア ト ラ ン ジ ス タ			05
Q120P	V8094900	Pair Transistor	A1492A/C3856A	ペ ア ト ラ ン ジ ス タ			05
Q121N	V8094900	Pair Transistor	A1492A/C3856A	ペ ア ト ラ ン ジ ス タ			05
Q121P	V8094900	Pair Transistor	A1492A/C3856A	ペ ア ト ラ ン ジ ス タ			05
Q122N	V8094900	Pair Transistor	A1492A/C3856A	ペ ア ト ラ ン ジ ス タ			05
Q122P	V8094900	Pair Transistor	A1492A/C3856A	ペ ア ト ラ ン ジ ス タ			05
Q123N	V8094900	Pair Transistor	A1492A/C3856A	ペ ア ト ラ ン ジ ス タ	XP7000		05
Q123P	V8094900	Pair Transistor	A1492A/C3856A	ペ ア ト ラ ン ジ ス タ	XP7000		05
Q125N	V8094900	Pair Transistor	A1492A/C3856A	ペ ア ト ラ ン ジ ス タ			05
Q125P	V8094900	Pair Transistor	A1492A/C3856A	ペ ア ト ラ ン ジ ス タ			05
Q126N	V8094900	Pair Transistor	A1492A/C3856A	ペ ア ト ラ ン ジ ス タ			05
Q126P	V8094900	Pair Transistor	A1492A/C3856A	ペ ア ト ラ ン ジ ス タ			05

*: New Parts

RANK: Japan only

ELECTRICAL PARTS (電気部品)

REF NO.	PART NO.	DESCRIPTION	部 品 名	REMARKS	QTY	RANK
		ELECTRICAL PARTS	電 気 部 品	XP7000/XP5000		
*	WF401800	Circuit Board	COIL J	J	(X6755B0)	
*	WF401900	Circuit Board	COIL H	H,B,K,O	(X6755B0)	
*	WF396600	Circuit Board	PAH	XP7000	(X6750B0)	
*	WF396700	Circuit Board	PAH	XP5000	(X6750B0)	
*	WF397100	Circuit Board	PS J	XP7000 J	(X6752C0)	
*	WF397200	Circuit Board	PS U	XP7000 U,T	(X6752C0)	
*	WF397300	Circuit Board	PS H	XP7000 H,B,K,O	(X6752C0)	
*	WF397400	Circuit Board	PS A	XP7000 A	(X6752C0)	
*	WF397500	Circuit Board	PS J	XP5000 J	(X6752C0)	
*	WF397600	Circuit Board	PS U	XP5000 U,T	(X6752C0)	
*	WF397700	Circuit Board	PS H	XP5000 H,B,K,O	(X6752C0)	
*	WF397800	Circuit Board	PS A	XP5000 A	(X6752C0)	
*	WF399600	Circuit Board	IO (SUB 1/4)	XP7000	(X6754D0)	
*	WF399700	Circuit Board	IO (SUB 1/4)	XP5000	(X6754D0)	
*	WF400100	Circuit Board	PSW (SUB 2/4)	XP7000	(X6754D0)	
*	WF400200	Circuit Board	PSW (SUB 2/4)	XP5000	(X6754D0)	
*	WF400600	Circuit Board	VR (SUB 3/4)	XP7000	(X6754D0)	
*	WF400700	Circuit Board	VR (SUB 3/4)	XP5000	(X6754D0)	
*	WF401100	Circuit Board	LED (SUB 4/4)	XP7000	(X6754D0)	
*	WF401200	Circuit Board	LED (SUB 4/4)	XP5000	(X6754D0)	
*	WF401800	Circuit Board	COIL J	J	(X6755B0)	
*	WF401900	Circuit Board	COIL H	H,B,K,O	(X6755B0)	
	WD494700	Cord Holder	KI-200ST	インシュロックタイ	H,B,K,O	2
△	L701	WC175800	Coil	EI48	コイル 0.8MH	J
△	L701	V0076300	Choke Coil	EI	チョークコイル	H,B,K,O
△	L702	WC175800	Coil	EI48	コイル 0.8MH	J
△	L702	V0076300	Choke Coil	EI	チョークコイル	H,B,K,O
*	W701	WD361000	Connector Assembly	B&C	束線	
*	W702	WD361100	Connector Assembly	B&C	束線	
*		WF396600	Circuit Board	PAH	XP7000	(X6750B0)
*		WF396700	Circuit Board	PAH	XP5000	(X6750B0)
	C101	UR896470	Electrolytic Cap.	4.7 100V	ケミコン	01
	C102	UR896470	Electrolytic Cap.	4.7 100V	ケミコン	01
	C103	FG644100	Ceramic Capacitor-F	0.01 50V Z	セラコン (F)	01
	C104	FG644100	Ceramic Capacitor-F	0.01 50V Z	セラコン (F)	01
	C105	UA653750	Mylar Capacitor	7500P 50V J	マイラーコン	01
	C106	UA653220	Mylar Capacitor	2200P 50V J	マイラーコン	01
	C107	WD706100	Ceramic Capacitor-SL	33P 1KV J	セラコン (SL)	
	C108	WD705700	Ceramic Capacitor-SL	10P 1KV J	セラコン (SL)	
	C109	VV082300	Mylar Capacitor	EMD250P10M7	フィルムコン	01
	C110	VV082300	Mylar Capacitor	EMD250P10M7	フィルムコン	01
	C111	VZ004000	Electrolytic Cap.	2.2 200V	ケミコン SK	01
	C112	VZ004000	Electrolytic Cap.	2.2 200V	ケミコン SK	01
	C113	WD706500	Ceramic Capacitor-SL	100P 1KV J	セラコン (SL)	
	C114	WD706500	Ceramic Capacitor-SL	100P 1KV J	セラコン (SL)	
	C115	WD707800	Ceramic Capacitor-B	2200P 1KV K	セラコン (B)	
	C116	WD707800	Ceramic Capacitor-B	2200P 1KV K	セラコン (B)	
	C117	V5097700	Mylar Capacitor	3.3 250V K	フィルムコン	05
	C118	V5097700	Mylar Capacitor	3.3 250V K	フィルムコン	05
	C119	VZ004000	Electrolytic Cap.	2.2 200V	ケミコン SK	01
	C120	VZ004000	Electrolytic Cap.	2.2 200V	ケミコン SK	01
	C121	WD707800	Ceramic Capacitor-B	2200P 1KV K	セラコン (B)	
	C122	WD707100	Ceramic Capacitor-SL	330P 1KV J	セラコン (SL)	
	C123	WD707100	Ceramic Capacitor-SL	330P 1KV J	セラコン (SL)	
	C124	WB378500	Electrolytic Cap.	100 200V	ケミコン	
	C125	WB378500	Electrolytic Cap.	100 200V	ケミコン	
	C126	WD707800	Ceramic Capacitor-B	2200P 1KV K	セラコン (B)	
	C127	UR828470	Electrolytic Cap.	470 10V	ケミコン	01
	C128	UR867220	Electrolytic Cap.	22 50V	ケミコン	01
	C129	US062470	Ceramic Capacitor-SL(chip)	470P 50V J	チップセラ (SL)	01
	C201	US064100	Ceramic Capacitor-B (chip)	0.01 50V K	チップセラ (B)	01
	C202	US062100	Ceramic Capacitor-SL(chip)	100P 50V J	チップセラ (SL)	01
	C203	US064100	Ceramic Capacitor-B (chip)	0.01 50V K	チップセラ (B)	01
	C204	US064100	Ceramic Capacitor-B (chip)	0.01 50V K	チップセラ (B)	01
	C205	US061560	Ceramic Capacitor-CH(chip)	56P 50V J	チップセラ (CH)	01
	C207	US063100	Ceramic Capacitor-B (chip)	1000P 50V K	チップセラ (B)	01
	C208	US062470	Ceramic Capacitor-SL(chip)	470P 50V J	チップセラ (SL)	01

*: New Parts

RANK: Japan only

REF NO.	PART NO.	DESCRIPTION	部 品 名	REMARKS	QTY	RANK
C209	UR847100	Electrolytic Cap.	10 25V	ケ ミ コ ン		01
C210	US064100	Ceramic Capacitor-B (chip)	0.01 50V K	チ ッ プ セ ラ (B)		01
C211	UU238100	Electrolytic Cap.	100 16V	ケ ミ コ ン F W		01
C212	UA653220	Mylar Capacitor	2200P 50V J	マ イ ラ ー コ ン		01
C213	UU238100	Electrolytic Cap.	100 16V	ケ ミ コ ン F W		01
C214	FU451100	Mica Capacitor	10P 500V D	マ イ カ コ ン		01
C215	UA653220	Mylar Capacitor	2200P 50V J	マ イ ラ ー コ ン		01
C216	UR847100	Electrolytic Cap.	10 25V	ケ ミ コ ン		01
C217	FG644100	Ceramic Capacitor-F	0.01 50V Z	セ ラ コ ン (F)		01
C218	FU451220	Mica Capacitor	22P 500V J	マ イ カ コ ン		01
C219	FU451220	Mica Capacitor	22P 500V J	マ イ カ コ ン		01
C220	US061100	Ceramic Capacitor-CH(chip)	10P 50V D	チ ッ プ セ ラ (C H)		01
C221	US061100	Ceramic Capacitor-CH(chip)	10P 50V D	チ ッ プ セ ラ (C H)		01
C222	UR847100	Electrolytic Cap.	10 25V	ケ ミ コ ン		01
-224	UR847100	Electrolytic Cap.	10 25V	ケ ミ コ ン		01
C225	UU267220	Electrolytic Cap.	22 50V	ケ ミ コ ン F W		01
CN101	VB389800	Connector Base Post	PH 2P TE	コ ネ ク タ ベ ース ポ ス ト		01
CN102	WA767700	Fasten Terminal	16611BL-2	フ ァ ス ト ン 端 子		
-105	WA767700	Fasten Terminal	16611BL-2	フ ァ ス ト ン 端 子		
CN201	VB390700	Connector Base Post	PH 11P TE	コ ネ ク タ ベ ース ポ ス ト		01
CN202	VB389900	Connector Base Post	PH 3P TE	コ ネ ク タ ベ ース ポ ス ト		01
D101	VD631600	Diode	1SS133,176,HSS104	ダ イ オ ー ド		01
D102	VD631600	Diode	1SS133,176,HSS104	ダ イ オ ー ド		01
D103	VG438900	Zener Diode	MTZ J 8.2B 8.2V	ツ ェ ナ ー ダ イ オ ー ド		01
D104	VQ469600	Diode	HSS82	ダ イ オ ー ド		01
D105	VQ469600	Diode	HSS82	ダ イ オ ー ド		01
D106	VG438300	Zener Diode	MTZ J 6.8B 6.8V	ツ ェ ナ ー ダ イ オ ー ド		01
D107	VD631600	Diode	1SS133,176,HSS104	ダ イ オ ー ド		01
D108	VD631600	Diode	1SS133,176,HSS104	ダ イ オ ー ド		01
D109	WB115000	Diode	AL01 SUTO	ダ イ オ ー ド		
D110	VQ469600	Diode	HSS82	ダ イ オ ー ド		01
D111	VQ469600	Diode	HSS82	ダ イ オ ー ド		01
D112	WB115000	Diode	AL01 SUTO	ダ イ オ ー ド		
D113	VQ469600	Diode	HSS82	ダ イ オ ー ド		01
D114	VQ469600	Diode	HSS82	ダ イ オ ー ド		01
D115	WD543900	Diode	1N4004 DO-41	ダ イ オ ー ド		
-118	WD543900	Diode	1N4004 DO-41	ダ イ オ ー ド		
D119	WA757600	Diode	AL01Z	ダ イ オ ー ド		05
-121	WA757600	Diode	AL01Z	ダ イ オ ー ド		05
D122	VJ657300	Diode	AK03 V0 TP	ダ イ オ ー ド		01
D123	VJ657300	Diode	AK03 V0 TP	ダ イ オ ー ド		01
D128	VQ469600	Diode	HSS82	ダ イ オ ー ド		01
D129	VQ469600	Diode	HSS82	ダ イ オ ー ド		01
D130	VG436600	Zener Diode	MTZ J 3.9B 3.9V	ツ ェ ナ ー ダ イ オ ー ド		01
D131	VR496500	Diode (chip)	MA111 FLAT TP	チ ッ プ ダ イ オ ー ド		
D201	VR496500	Diode (chip)	MA111 FLAT TP	チ ッ プ ダ イ オ ー ド		
D202	VR496500	Diode (chip)	MA111 FLAT TP	チ ッ プ ダ イ オ ー ド		
D203	VD631600	Diode	1SS133,176,HSS104	ダ イ オ ー ド		01
-206	VD631600	Diode	1SS133,176,HSS104	ダ イ オ ー ド		01
D207	VR496500	Diode (chip)	MA111 FLAT TP	チ ッ プ ダ イ オ ー ド		
D208	VQ469600	Diode	HSS82	ダ イ オ ー ド		01
D209	VQ469600	Diode	HSS82	ダ イ オ ー ド		01
D210	VG438000	Zener Diode	MTZ J 6.2B 6.2V	ツ ェ ナ ー ダ イ オ ー ド		01
D211	VG438000	Zener Diode	MTZ J 6.2B 6.2V	ツ ェ ナ ー ダ イ オ ー ド		01
D212	VQ469600	Diode	HSS82	ダ イ オ ー ド		01
D213	VQ469600	Diode	HSS82	ダ イ オ ー ド		01
IC201	X3505A00	IC	NJM2068M-D(TE2)	イ C	OP AMP	02
IC202	XM882A00	IC	NJM431	イ C	REGULATOR	02
L101	WD408700	Coil	1.9uH	空 芯 コ イ ル 1 . 9 U		
L102	V4668300	Coil	H-20 100UH	コ イ ル		08
L103	V4668300	Coil	H-20 100UH	コ イ ル		08
L104	WD408800	Coil	1.7uH	空 芯 コ イ ル 1 . 7 U		
L105	WD408800	Coil	1.7uH	空 芯 コ イ ル 1 . 7 U		
Q101	VR152800	Transistor	2SA1480 E,F	ト ラ ン ジ ス タ		02
Q102	VR152900	Transistor	2SC3790 E,F	ト ラ ン ジ ス タ		02
Q103	V8093400	Transistor	2SC3425	ト ラ ン ジ ス タ		03
Q104	V8093300	Transistor	2SA1924	ト ラ ン ジ ス タ		02
Q105	VU418600	Transistor	2SC3468 D,E	ト ラ ン ジ ス タ		01
Q106	VU418400	Transistor	2SA1371 D,E	ト ラ ン ジ ス タ		01
Q107	V4096000	Transistor	2SA1770 S,T	ト ラ ン ジ ス タ		03

*: New Parts

RANK: Japan only

REF NO.	PART NO.	DESCRIPTION	部 品 名	REMARKS	QTY	RANK
Q108	V4096100	Transistor	2SC4614 S,T	トランジスタ		02
Q109	V4096000	Transistor	2SA1770 S,T	トランジスタ		03
Q110	VI242900	Transistor	2SA1020-Y(TPE6) Y	トランジスタ		01
Q111	VI242900	Transistor	2SA1020-Y(TPE6) Y	トランジスタ		01
Q127	WC529400	Transistor	KTC3875S-Y,GR-RTK/	トランジスタ		
Q128	VU418600	Transistor	2SC3468 D,E	トランジスタ		01
Q129	WC529400	Transistor	KTC3875S-Y,GR-RTK/	トランジスタ		
Q130	VU418600	Transistor	2SC3468 D,E	トランジスタ		01
	VU418600	Transistor	2SC3468 D,E	トランジスタ		01
Q133	V8093300	Transistor	2SA1924	トランジスタ		02
Q134	V4096100	Transistor	2SC4614 S,T	トランジスタ		02
Q201	VV556500	Transistor	2SA1037AK Q,R,S	トランジスタ		01
Q202	VV556500	Transistor	2SA1037AK Q,R,S	トランジスタ		01
Q203	WC529400	Transistor	KTC3875S-Y,GR-RTK/	トランジスタ		
Q204	WC529400	Transistor	KTC3875S-Y,GR-RTK/	トランジスタ		
Q205	WA866800	Transistor	2SC4695-TB	トランジスタ		01
Q206	WC435000	Digital Transistor	KRC102S-RTK/P	デジタルトランジスタ		01
Q207	WA866800	Transistor	2SC4695-TB	トランジスタ		01
Q208	WC434800	Digital Transistor	KRA102S-RTK/P	デジタルトランジスタ		01
Q209	IC1815M0	Transistor	2SC1815 Y,GR	トランジスタ		01
Q210	VU418400	Transistor	2SA1371 D,E	トランジスタ		01
Q211	VU418400	Transistor	2SA1371 D,E	トランジスタ		01
Q212	VU418600	Transistor	2SC3468 D,E	トランジスタ		01
Q213	VU418400	Transistor	2SA1371 D,E	トランジスタ		01
Q214	IC1815M0	Transistor	2SC1815 Y,GR	トランジスタ		01
Q215	V8093400	Transistor	2SC3425	トランジスタ		03
Q216	IC1815M0	Transistor	2SC1815 Y,GR	トランジスタ		01
Q217	V8093300	Transistor	2SA1924	トランジスタ		02
Q219	VR152900	Transistor	2SC3790 E,F	トランジスタ		02
Q220	VR152800	Transistor	2SA1480 E,F	トランジスタ		02
Q221	V8093300	Transistor	2SA1924	トランジスタ		02
Q222	WC529400	Transistor	KTC3875S-Y,GR-RTK/	トランジスタ		
Q223	WC435000	Digital Transistor	KRC102S-RTK/P	デジタルトランジスタ		01
R101	HF457120	Carbon Resistor	12K 1/4W J	カーボン抵抗		01
R102	HF457750	Carbon Resistor	750K 1/4W J	カーボン抵抗		01
R103	HF457470	Carbon Resistor	47K 1/4W J	カーボン抵抗		01
	HF457470	Carbon Resistor	47K 1/4W J	カーボン抵抗		01
R107	HV753470	Flame Proof C. Resistor	4.7 1/4W J	不燃化カーボン抵抗		01
R108	HV753470	Flame Proof C. Resistor	4.7 1/4W J	不燃化カーボン抵抗		01
R109	HF457560	Carbon Resistor	56K 1/4W J	カーボン抵抗	XP7000	01
R109	HF457430	Carbon Resistor	43K 1/4W J	カーボン抵抗	XP5000	01
R110	HF457560	Carbon Resistor	56K 1/4W J	カーボン抵抗	XP7000	01
R110	HF457430	Carbon Resistor	43K 1/4W J	カーボン抵抗	XP5000	01
R111	HV755680	Flame Proof C. Resistor	680 1/4W J	不燃化カーボン抵抗		01
R112	HV755680	Flame Proof C. Resistor	680 1/4W J	不燃化カーボン抵抗		01
R113	HV755330	Flame Proof C. Resistor	330 1/4W J	不燃化カーボン抵抗		01
R114	HV755330	Flame Proof C. Resistor	330 1/4W J	不燃化カーボン抵抗		01
R115	HV755220	Flame Proof C. Resistor	220 1/4W J	不燃化カーボン抵抗		01
R116	HV755100	Flame Proof C. Resistor	100 1/4W J	不燃化カーボン抵抗		01
R117	HV754330	Flame Proof C. Resistor	33 1/4W J	不燃化カーボン抵抗		01
R118	HV754330	Flame Proof C. Resistor	33 1/4W J	不燃化カーボン抵抗		01
R119	HV753470	Flame Proof C. Resistor	4.7 1/4W J	不燃化カーボン抵抗		01
R120	HV753470	Flame Proof C. Resistor	4.7 1/4W J	不燃化カーボン抵抗		01
R121	HV754220	Flame Proof C. Resistor	22 1/4W J	不燃化カーボン抵抗		01
R122	HV754220	Flame Proof C. Resistor	22 1/4W J	不燃化カーボン抵抗		01
R123	V4833200	Wire Wound Resistor	0.22 5W K	セメント抵抗		01
R124	V4833200	Wire Wound Resistor	0.22 5W K	セメント抵抗		01
R125	HV753470	Flame Proof C. Resistor	4.7 1/4W J	不燃化カーボン抵抗		01
R126	HV753470	Flame Proof C. Resistor	4.7 1/4W J	不燃化カーボン抵抗		01
R127	HV754220	Flame Proof C. Resistor	22 1/4W J	不燃化カーボン抵抗		01
R128	HV754220	Flame Proof C. Resistor	22 1/4W J	不燃化カーボン抵抗		01
R129	V4833200	Wire Wound Resistor	0.22 5W K	セメント抵抗		01
R130	V4833200	Wire Wound Resistor	0.22 5W K	セメント抵抗		01
R131	HV753470	Flame Proof C. Resistor	4.7 1/4W J	不燃化カーボン抵抗		01
R132	HV753470	Flame Proof C. Resistor	4.7 1/4W J	不燃化カーボン抵抗		01
R133	HV754220	Flame Proof C. Resistor	22 1/4W J	不燃化カーボン抵抗		01
R134	HV754220	Flame Proof C. Resistor	22 1/4W J	不燃化カーボン抵抗		01
R135	V4833200	Wire Wound Resistor	0.22 5W K	セメント抵抗		01
R136	V4833200	Wire Wound Resistor	0.22 5W K	セメント抵抗		01
R137	HV753470	Flame Proof C. Resistor	4.7 1/4W J	不燃化カーボン抵抗		01

*: New Parts

RANK: Japan only

REF NO.	PART NO.	DESCRIPTION	部 品 名	REMARKS	QTY	RANK
R138	HV753470	Flame Proof C. Resistor	4.7 1/4W J	不燃化カーボン抵抗		01
R139	HV754220	Flame Proof C. Resistor	22 1/4W J	不燃化カーボン抵抗		01
R140	HV754220	Flame Proof C. Resistor	22 1/4W J	不燃化カーボン抵抗		01
R141	V4833200	Wire Wound Resistor	0.22 5W K	セメント抵抗		01
R142	V4833200	Wire Wound Resistor	0.22 5W K	セメント抵抗		01
R143	HV753470	Flame Proof C. Resistor	4.7 1/4W J	不燃化カーボン抵抗		01
R144	HV753470	Flame Proof C. Resistor	4.7 1/4W J	不燃化カーボン抵抗		01
R145	HV754220	Flame Proof C. Resistor	22 1/4W J	不燃化カーボン抵抗		01
R146	HV754220	Flame Proof C. Resistor	22 1/4W J	不燃化カーボン抵抗		01
R147	V4833200	Wire Wound Resistor	0.22 5W K	セメント抵抗		01
R148	V4833200	Wire Wound Resistor	0.22 5W K	セメント抵抗		01
R149	HV753470	Flame Proof C. Resistor	4.7 1/4W J	不燃化カーボン抵抗	XP7000	01
R150	HV753470	Flame Proof C. Resistor	4.7 1/4W J	不燃化カーボン抵抗	XP7000	01
R151	HV754220	Flame Proof C. Resistor	22 1/4W J	不燃化カーボン抵抗	XP7000	01
R152	HV754220	Flame Proof C. Resistor	22 1/4W J	不燃化カーボン抵抗	XP7000	01
R153	V4833200	Wire Wound Resistor	0.22 5W K	セメント抵抗	XP7000	01
R154	V4833200	Wire Wound Resistor	0.22 5W K	セメント抵抗	XP7000	01
R155	WD407100	Metal Oxide Film Resistor	4.7 3W J	酸化金属被膜抵抗		
R156	WD407100	Metal Oxide Film Resistor	4.7 3W J	酸化金属被膜抵抗		
R157	HF456560	Carbon Resistor	5.6K 1/4W J	カーボン抵抗		01
R158	HF456560	Carbon Resistor	5.6K 1/4W J	カーボン抵抗		01
R159	HV754220	Flame Proof C. Resistor	22 1/4W J	不燃化カーボン抵抗		01
R160	HV756220	Flame Proof C. Resistor	2.2K 1/4W J	不燃化カーボン抵抗		01
R161	HV756220	Flame Proof C. Resistor	2.2K 1/4W J	不燃化カーボン抵抗		01
R162	HV754220	Flame Proof C. Resistor	22 1/4W J	不燃化カーボン抵抗		01
R163	HV755150	Flame Proof C. Resistor	150 1/4W J	不燃化カーボン抵抗		01
R164	HV755150	Flame Proof C. Resistor	150 1/4W J	不燃化カーボン抵抗		01
R165	HV753100	Flame Proof C. Resistor	1.0 1/4W J	不燃化カーボン抵抗		01
R166	HV753100	Flame Proof C. Resistor	1.0 1/4W J	不燃化カーボン抵抗		01
R167	VZ370200	Wire Wound Resistor	0.1 5W K	セメント抵抗		01
R168	HV753470	Flame Proof C. Resistor	4.7 1/4W J	不燃化カーボン抵抗		01
R169	VZ370200	Wire Wound Resistor	0.1 5W K	セメント抵抗		01
R170	HV753100	Flame Proof C. Resistor	1.0 1/4W J	不燃化カーボン抵抗		01
R171	HV753100	Flame Proof C. Resistor	1.0 1/4W J	不燃化カーボン抵抗		01
R172	VZ370200	Wire Wound Resistor	0.1 5W K	セメント抵抗		01
R173	HV753100	Flame Proof C. Resistor	1.0 1/4W J	不燃化カーボン抵抗		01
R174	VZ370200	Wire Wound Resistor	0.1 5W K	セメント抵抗		01
R175	HV753100	Flame Proof C. Resistor	1.0 1/4W J	不燃化カーボン抵抗		01
R176	HV753470	Flame Proof C. Resistor	4.7 1/4W J	不燃化カーボン抵抗		01
R177	HV754100	Flame Proof C. Resistor	10 1/4W J	不燃化カーボン抵抗		01
R178	HV754100	Flame Proof C. Resistor	10 1/4W J	不燃化カーボン抵抗		01
R179	HV755330	Flame Proof C. Resistor	330 1/4W J	不燃化カーボン抵抗		01
R180	VC762900	Metal Oxide Film Resistor	3.9K 2W J	酸化金属被膜抵抗		
R181	HV755330	Flame Proof C. Resistor	330 1/4W J	不燃化カーボン抵抗		01
R182	HV755100	Flame Proof C. Resistor	100 1/4W J	不燃化カーボン抵抗		01
R183	VC762900	Metal Oxide Film Resistor	3.9K 2W J	酸化金属被膜抵抗		
R184	HV754220	Flame Proof C. Resistor	22 1/4W J	不燃化カーボン抵抗		01
R185	HV754100	Flame Proof C. Resistor	10 1/4W J	不燃化カーボン抵抗		01
R186	HV755220	Flame Proof C. Resistor	220 1/4W J	不燃化カーボン抵抗		01
R187	VC762900	Metal Oxide Film Resistor	3.9K 2W J	酸化金属被膜抵抗		
R188	HV755470	Flame Proof C. Resistor	470 1/4W J	不燃化カーボン抵抗		01
R189	HV754220	Flame Proof C. Resistor	22 1/4W J	不燃化カーボン抵抗		01
R190	HV754220	Flame Proof C. Resistor	22 1/4W J	不燃化カーボン抵抗		01
R191	HV753470	Flame Proof C. Resistor	4.7 1/4W J	不燃化カーボン抵抗		01
R192	HV754220	Flame Proof C. Resistor	22 1/4W J	不燃化カーボン抵抗		01
R193	HV754220	Flame Proof C. Resistor	22 1/4W J	不燃化カーボン抵抗		01
R194	VP939800	Metal Oxide Film Resistor	10 1W J	酸化金属被膜抵抗		01
R195	VP939800	Metal Oxide Film Resistor	10 1W J	酸化金属被膜抵抗		01
R201	RD556390	Thick Film Chip Resistor	3.9K 1/10W D	チップ厚膜抵抗		01
-203	RD556390	Thick Film Chip Resistor	3.9K 1/10W D	チップ厚膜抵抗		01
R204	RD356390	Carbon Resistor (chip)	3.9K 1/16W J	チップ抵抗		01
R205	RD356390	Carbon Resistor (chip)	3.9K 1/16W J	チップ抵抗		01
R206	RD354750	Carbon Resistor (chip)	75 1/16W J	チップ抵抗		01
R207	RD357100	Carbon Resistor (chip)	10K 1/16W J	チップ抵抗		01
R208	RD357100	Carbon Resistor (chip)	10K 1/16W J	チップ抵抗		01
R209	RD354750	Carbon Resistor (chip)	75 1/16W J	チップ抵抗		01
R210	RD256820	Carbon Resistor (chip)	8.2K 1/10W J	チップ抵抗		01
R211	RD355100	Carbon Resistor (chip)	100 1/16W J	チップ抵抗		01
R212	RD256820	Carbon Resistor (chip)	8.2K 1/10W J	チップ抵抗		01
R213	RD357270	Carbon Resistor (chip)	27K 1/16W J	チップ抵抗		01

*: New Parts

RANK: Japan only

REF NO.	PART NO.	DESCRIPTION		部 品 名	REMARKS	QTY	RANK
R214	RD355470	Carbon Resistor (chip)	470 1/16W J	チ ッ プ 抵 抗			01
R215	RD357330	Carbon Resistor (chip)	33K 1/16W J	チ ッ プ 抵 抗			01
R216	RD355100	Carbon Resistor (chip)	100 1/16W J	チ ッ プ 抵 抗			01
R217	RD358470	Carbon Resistor (chip)	470K 1/16W J	チ ッ プ 抵 抗			01
R218	RD358470	Carbon Resistor (chip)	470K 1/16W J	チ ッ プ 抵 抗			01
R219	RD356220	Carbon Resistor (chip)	2.2K 1/16W J	チ ッ プ 抵 抗			01
R220	RD357220	Carbon Resistor (chip)	22K 1/16W J	チ ッ プ 抵 抗			01
R221	HF458120	Carbon Resistor	120K 1/4W J	カ ー ボ ン 抵 抗			01
R222	HF458330	Carbon Resistor	330K 1/4W J	カ ー ボ ン 抵 抗			01
R223	HF457220	Carbon Resistor	22K 1/4W J	カ ー ボ ン 抵 抗			01
R224	HB025510	Metal Film Resistor	510 1/4W F	金 属 被 膜 抵 抗			01
R225	HF455560	Carbon Resistor	560 1/4W J	カ ー ボ ン 抵 抗			01
-227	HF455560	Carbon Resistor	560 1/4W J	カ ー ボ ン 抵 抗			01
R228	WE457500	Carbon Resistor	11K 1/3W F	カ ー ボ ン 抵 抗			01
R229	WE457500	Carbon Resistor	11K 1/3W F	カ ー ボ ン 抵 抗			01
R230	HF455200	Carbon Resistor	200 1/4W J	カ ー ボ ン 抵 抗			01
R231	HF456680	Carbon Resistor	6.8K 1/4W J	カ ー ボ ン 抵 抗			01
-233	HF456680	Carbon Resistor	6.8K 1/4W J	カ ー ボ ン 抵 抗			01
R234	HF457750	Carbon Resistor	750K 1/4W J	カ ー ボ ン 抵 抗			01
R235	HF457750	Carbon Resistor	750K 1/4W J	カ ー ボ ン 抵 抗			01
R236	HF455220	Carbon Resistor	220 1/4W J	カ ー ボ ン 抵 抗			01
R237	HF455180	Carbon Resistor	180 1/4W J	カ ー ボ ン 抵 抗			01
R238	HF455180	Carbon Resistor	180 1/4W J	カ ー ボ ン 抵 抗			01
R239	HV753100	Flame Proof C. Resistor	1.0 1/4W J	不 燃 化 カ ー ボ ン 抵 抗			01
R240	HV753100	Flame Proof C. Resistor	1.0 1/4W J	不 燃 化 カ ー ボ ン 抵 抗			01
R241	HF455100	Carbon Resistor	100 1/4W J	カ ー ボ ン 抵 抗			01
R242	HF456150	Carbon Resistor	1.5K 1/4W J	カ ー ボ ン 抵 抗			01
R243	HF455120	Carbon Resistor	120 1/4W J	カ ー ボ ン 抵 抗			01
R244	HF455130	Carbon Resistor	130 1/4W J	カ ー ボ ン 抵 抗			01
R245	HF457160	Carbon Resistor	16K 1/4W J	カ ー ボ ン 抵 抗			01
R246	HB028360	Metal Film Resistor	360K 1/4W F	金 属 被 膜 抵 抗			01
R247	HB028360	Metal Film Resistor	360K 1/4W F	金 属 被 膜 抵 抗			01
R248	HB027200	Metal Film Resistor	20.0K 1/4W F	金 属 被 膜 抵 抗	XP7000		01
R248	HB027220	Metal Film Resistor	22K 1/4W F	金 属 被 膜 抵 抗	XP5000		01
R249	HB027200	Metal Film Resistor	20.0K 1/4W F	金 属 被 膜 抵 抗	XP7000		01
R249	HB027220	Metal Film Resistor	22K 1/4W F	金 属 被 膜 抵 抗	XP5000		01
R250	HB028360	Metal Film Resistor	360K 1/4W F	金 属 被 膜 抵 抗			01
R251	HB028360	Metal Film Resistor	360K 1/4W F	金 属 被 膜 抵 抗			01
R252	HF457160	Carbon Resistor	16K 1/4W J	カ ー ボ ン 抵 抗			01
R253	RD357220	Carbon Resistor (chip)	22K 1/16W J	チ ッ プ 抵 抗			01
R254	RD257100	Carbon Resistor (chip)	10K 1/10W J	チ ッ プ 抵 抗			01
R255	HB026560	Metal Film Resistor	5.6K 1/4W F	金 属 被 膜 抵 抗			01
R256	HB027200	Metal Film Resistor	20.0K 1/4W F	金 属 被 膜 抵 抗			01
R257	HF456680	Carbon Resistor	6.8K 1/4W J	カ ー ボ ン 抵 抗			01
-259	HF456680	Carbon Resistor	6.8K 1/4W J	カ ー ボ ン 抵 抗			01
R260	HF456100	Carbon Resistor	1K 1/4W J	カ ー ボ ン 抵 抗			01
R261	HF457470	Carbon Resistor	47K 1/4W J	カ ー ボ ン 抵 抗			01
R280	RF357200	Carbon Resistor (chip)	20K 1/16W D	チ ッ プ 抵 抗			01
R281	RD357100	Carbon Resistor (chip)	10K 1/16W J	チ ッ プ 抵 抗			01
R282	RF357620	Carbon Resistor (chip)	62K 1/16W D	チ ッ プ 抵 抗			01
R283	HB028270	Metal Film Resistor	270K 1/4W F	金 属 被 膜 抵 抗			01
R284	RF357100	Carbon Resistor (chip)	10K 1/16W D	チ ッ プ 抵 抗			01
R285	RD358150	Carbon Resistor (chip)	150K 1/16W J	チ ッ プ 抵 抗			01
R286	RD358100	Carbon Resistor (chip)	100K 1/16W J	チ ッ プ 抵 抗	XP7000		01
R286	RD357680	Carbon Resistor (chip)	68K 1/16W J	チ ッ プ 抵 抗	XP5000		01
R287	RD357100	Carbon Resistor (chip)	10K 1/16W J	チ ッ プ 抵 抗			01
R288	RD357200	Carbon Resistor (chip)	20K 1/16W J	チ ッ プ 抵 抗			01
R289	RD358100	Carbon Resistor (chip)	100K 1/16W J	チ ッ プ 抵 抗			01
R290	RD357560	Carbon Resistor (chip)	56K 1/16W J	チ ッ プ 抵 抗			01
R291	HV756680	Flame Proof C. Resistor	6.8K 1/4W J	不 燃 化 カ ー ボ ン 抵 抗			01
R292	HB028270	Metal Film Resistor	270K 1/4W F	金 属 被 膜 抵 抗	XP7000		01
R292	HB028180	Metal Film Resistor	180K 1/4W F	金 属 被 膜 抵 抗	XP5000		01
RY101	WB170800	Relay	DC NA-12W-K	リ レ ー 1 2 V			04
VR201	VA787500	Trimmer Potentiometer	B470 AX 3P	半 固 定 V R	IDLING ADJUST		01
*	WF397100	Circuit Board	PS J	P S シ ー ト	XP7000 J (X6752C0)		
*	WF397200	Circuit Board	PS U	P S シ ー ト	XP7000 U,T (X6752C0)		
*	WF397300	Circuit Board	PS H	P S シ ー ト	XP7000 H,B,K,O (X6752C0)		
*	WF397400	Circuit Board	PS A	P S シ ー ト	XP7000 A (X6752C0)		
*	WF397500	Circuit Board	PS J	P S シ ー ト	XP5000 J (X6752C0)		

*: New Parts

RANK: Japan only

REF NO.	PART NO.	DESCRIPTION	部 品 名	REMARKS	QTY	RANK
*	WF397600	Circuit Board	PS U	XP5000 U,T (X6752C0)		
*	WF397700	Circuit Board	PS H	XP5000 H,B,K,O (X6752C0)		
*	WF397800	Circuit Board	PS A	XP5000 A (X6752C0)		
	--	Silicone Grease	X-113A G746	シリコングリス (VA79810)		
	WB448600	Radiation Sheet	RSI T=0.07	放熱シート	2	01
	WA772200	Fuse Holder	PIN WL-211	ヒューズホルダ	2	
	VU801500	Fuse Holder	PIN WL-210A	ヒューズホルダ	2	01
	WE952900	Bind Head Screw	3x10 MFZN2W3	小ネジ+BIND	7	01
C401	VR168300	Monolithic Mylar Capacitor	ECQ-V1H104JL3	積層マイラーコン		01
C402	WB116000	Capacitor	1.0 275V U.C.S	規格認定コン		
C403	UR867100	Electrolytic Cap.	10 50V	ケミコン		01
C404	UA652470	Mylar Capacitor	470P 50V J	マイラーコン		01
C405	UR867100	Electrolytic Cap.	10 50V	ケミコン		01
C406	WB116000	Capacitor	1.0 275V U.C.S	規格認定コン		
C407	UR838100	Electrolytic Cap.	100 16V	ケミコン		01
C408	V6146600	Capacitor	2200P 250V J.U.C.S	規格認定コン KH		
C409	V6146600	Capacitor	2200P 250V J.U.C.S	規格認定コン KH		
C410	US064100	Ceramic Capacitor-B (chip)	0.01 50V K	チップセラ (B)		01
C411	US062100	Ceramic Capacitor-SL(chip)	100P 50V J	チップセラ (S L)		01
C412	US061220	Ceramic Capacitor-CH(chip)	22P 50V J	チップセラ (C H)		01
C413	US064100	Ceramic Capacitor-B (chip)	0.01 50V K	チップセラ (B)		01
C414	WB116000	Capacitor	1.0 275V U.C.S	規格認定コン		
C415	UR867100	Electrolytic Cap.	10 50V	ケミコン		01
C416	V6146500	Capacitor	1000P 250V J.U.C.S	規格認定コン KH		
C417	V6146500	Capacitor	1000P 250V J.U.C.S	規格認定コン KH		
C418	WD538400	Electrolytic Cap.	3300 180V	ケミコン L Q	XP7000 J	08
C418	WD538300	Electrolytic Cap.	2200 200V	ケミコン L Q	XP7000 U,T	07
C418	WD809900	Electrolytic Cap.	2800 200V	ケミコン L Q	XP7000 H,B,A,K,O	10
C418	WD538300	Electrolytic Cap.	2200 200V	ケミコン L Q	XP5000 J,H,B,A,K,O	07
C418	WD809900	Electrolytic Cap.	2800 200V	ケミコン L Q	XP5000 U,T	10
C419	WD538400	Electrolytic Cap.	3300 180V	ケミコン L Q	XP7000 J	08
C419	WD538300	Electrolytic Cap.	2200 200V	ケミコン L Q	XP7000 U,T	07
C419	WD809900	Electrolytic Cap.	2800 200V	ケミコン L Q	XP7000 H,B,A,K,O	10
C419	WD538300	Electrolytic Cap.	2200 200V	ケミコン L Q	XP5000 J,H,B,A,K,O	07
C419	WD809900	Electrolytic Cap.	2800 200V	ケミコン L Q	XP5000 U,T	10
C420	WD538400	Electrolytic Cap.	3300 180V	ケミコン L Q	XP7000 J	08
C420	WD538300	Electrolytic Cap.	2200 200V	ケミコン L Q	XP7000 U,T	07
C420	WD809900	Electrolytic Cap.	2800 200V	ケミコン L Q	XP7000 H,B,A,K,O	10
C420	WD538300	Electrolytic Cap.	2200 200V	ケミコン L Q	XP5000 J,H,B,A,K,O	07
C420	WD809900	Electrolytic Cap.	2800 200V	ケミコン L Q	XP5000 U,T	10
C421	WD538400	Electrolytic Cap.	3300 180V	ケミコン L Q	XP7000 J	08
C421	WD538300	Electrolytic Cap.	2200 200V	ケミコン L Q	XP7000 U,T	07
C421	WD809900	Electrolytic Cap.	2800 200V	ケミコン L Q	XP7000 H,B,A,K,O	10
C421	WD538300	Electrolytic Cap.	2200 200V	ケミコン L Q	XP5000 J,H,B,A,K,O	07
C421	WD809900	Electrolytic Cap.	2800 200V	ケミコン L Q	XP5000 U,T	10
C422	V6146500	Capacitor	1000P 250V J.U.C.S	規格認定コン KH		
C423	UR867100	Electrolytic Cap.	10 50V	ケミコン		01
C424	VR168300	Monolithic Mylar Capacitor	ECQ-V1H104JL3	積層マイラーコン		01
C425	WB543800	Polypropylene Capacitor	0.47 400V J	P P コン	J	
C425	WB544400	Polypropylene Capacitor	0.39 400V J	P P コン	U,A,T	
C425	WB544300	Polypropylene Capacitor	0.430 400V J	P P コン	H,B,K,O	
C426	WB543800	Polypropylene Capacitor	0.47 400V J	P P コン	J	
C426	WB544400	Polypropylene Capacitor	0.39 400V J	P P コン	U,A,T	
C426	WB544300	Polypropylene Capacitor	0.430 400V J	P P コン	H,B,K,O	
C427	US064100	Ceramic Capacitor-B (chip)	0.01 50V K	チップセラ (B)		01
C428	UR847100	Electrolytic Cap.	10 25V	ケミコン		01
C429	UR858470	Electrolytic Cap.	470 35V	ケミコン		01
C430	UR867100	Electrolytic Cap.	10 50V	ケミコン		01
C431	US061220	Ceramic Capacitor-CH(chip)	22P 50V J	チップセラ (C H)		01
C432	UR867100	Electrolytic Cap.	10 50V	ケミコン		01
C433	VR169200	Monolithic Mylar Capacitor	ECQ-V1H474JL3	積層マイラーコン		01
C434	US064100	Ceramic Capacitor-B (chip)	0.01 50V K	チップセラ (B)		01
C435	UR868330	Electrolytic Cap.	330 50V	ケミコン		01
C436	VR168300	Monolithic Mylar Capacitor	ECQ-V1H104JL3	積層マイラーコン		01
C437	US063100	Ceramic Capacitor-B (chip)	1000P 50V K	チップセラ (B)		01
C438	UR828220	Electrolytic Cap.	220 10V	ケミコン		01
C439	UR868100	Electrolytic Cap.	100 50V	ケミコン		01
C440	V8500200	Electrolytic Cap.	470 50V	ケミコン P W		01
C441	V8500200	Electrolytic Cap.	470 50V	ケミコン P W		01
C442	WD539300	Electrolytic Cap.	560 200V	ケミコン G U		05

*: New Parts

RANK: Japan only

REF NO.	PART NO.	DESCRIPTION		部 品 名	REMARKS	QTY	RANK
C443	WD539300	Electrolytic Cap.	560 200V	ケミコン G U			05
C444	US061220	Ceramic Capacitor-CH(chip)	22P 50V J	チップセラ (C H)			01
C446	WD539300	Electrolytic Cap.	560 200V	ケミコン G U			05
C447	WD539300	Electrolytic Cap.	560 200V	ケミコン G U			05
C448	UR867470	Electrolytic Cap.	47 50V	ケミコン			01
C449	UR867470	Electrolytic Cap.	47 50V	ケミコン			01
C450	VR168300	Monolithic Mylar Capacitor	ECQ-V1H104JL3	積層マイラーコン			01
C451	US064100	Ceramic Capacitor-B (chip)	0.01 50V K	チップセラ (B)			01
C452	UR828470	Electrolytic Cap.	470 10V	ケミコン			01
C453	UR866100	Electrolytic Cap.	1.0 50V	ケミコン			01
C454	UR867100	Electrolytic Cap.	10 50V	ケミコン			01
C455	UR867100	Electrolytic Cap.	10 50V	ケミコン			01
C456	VR169200	Monolithic Mylar Capacitor	ECQ-V1H474JL3	積層マイラーコン			01
C457	US064100	Ceramic Capacitor-B (chip)	0.01 50V K	チップセラ (B)			01
C458	VR169200	Monolithic Mylar Capacitor	ECQ-V1H474JL3	積層マイラーコン			01
C459	UR866470	Electrolytic Cap.	4.7 50V	ケミコン			01
C460	US064100	Ceramic Capacitor-B (chip)	0.01 50V K	チップセラ (B)			01
C501	VR168300	Monolithic Mylar Capacitor	ECQ-V1H104JL3	積層マイラーコン			01
C502	VR168300	Monolithic Mylar Capacitor	ECQ-V1H104JL3	積層マイラーコン			01
C503	UR867100	Electrolytic Cap.	10 50V	ケミコン			01
C504	US063100	Ceramic Capacitor-B (chip)	1000P 50V K	チップセラ (B)			01
-508	US063100	Ceramic Capacitor-B (chip)	1000P 50V K	チップセラ (B)			01
* C510	WF723700	Ceramic Capacitor-B	150P 1KV K	セラコン (B)			
* C511	WF723700	Ceramic Capacitor-B	150P 1KV K	セラコン (B)			
CN401	WA767700	Fasten Terminal	16611BL-2	ファストン端子			
-405	WA767700	Fasten Terminal	16611BL-2	ファストン端子			
CN406	WA767700	Fasten Terminal	16611BL-2	ファストン端子	J,H,B,K,O		
CN408	VB390000	Base Post	PH 4P TE	ベースポスト			01
CN409	VB389800	Connector Base Post	PH 2P TE	コネクタベースポスト			01
CN410	VB390600	Connector Base Post	PH 10P TE	コネクタベースポスト			01
CN411	VB390700	Connector Base Post	PH 11P TE	コネクタベースポスト			01
CN412	VB390700	Connector Base Post	PH 11P TE	コネクタベースポスト			01
CN413	VB389800	Connector Base Post	PH 2P TE	コネクタベースポスト			01
CN415	WA767700	Fasten Terminal	16611BL-2	ファストン端子	J,H,B,K,O		
CN416	WA767700	Fasten Terminal	16611BL-2	ファストン端子			
CN501	VB390200	Connector Base Post	PH 6P TE	コネクタベースポスト			01
D401	VU172800	Zener Diode	UDZS12B TE-17 12V	ツェナーダイオード			01
D402	VR496500	Diode (chip)	MA111 FLAT TP	チップダイオード			
D403	V4833600	Diode Stack	RBV-2506 25A 600V	ダイオードスタック			04
D404	WD543900	Diode	1N4004 DO-41	ダイオード			
-407	WD543900	Diode	1N4004 DO-41	ダイオード			
D408	V8629800	Diode	AG01A WS	ダイオード			01
D409	WA757600	Diode	AL01Z	ダイオード			05
D410	WA757600	Diode	AL01Z	ダイオード			05
D411	WD543900	Diode	1N4004 DO-41	ダイオード			
D412	V8629700	Diode	RL3A	ダイオード			02
D413	V8629700	Diode	RL3A	ダイオード			02
D414	WD543900	Diode	1N4004 DO-41	ダイオード			
D415	WA757600	Diode	AL01Z	ダイオード			05
-418	WA757600	Diode	AL01Z	ダイオード			05
D419	VU172200	Zener Diode	UDZS6.8BTE-17 6.8V	ツェナーダイオード			01
D420	WA757600	Diode	AL01Z	ダイオード			05
D421	WA757600	Diode	AL01Z	ダイオード			05
D422	VN399500	Diode Stack	FMU-36S 20A 600V	ダイオードスタック			05
D423	V8498700	Diode Stack	FMU-36R 20A 600V	ダイオードスタック			04
D424	VR496500	Diode (chip)	MA111 FLAT TP	チップダイオード			
-426	VR496500	Diode (chip)	MA111 FLAT TP	チップダイオード			
D427	VU172200	Zener Diode	UDZS6.8BTE-17 6.8V	ツェナーダイオード			01
D428	VR496500	Diode (chip)	MA111 FLAT TP	チップダイオード			
-431	VR496500	Diode (chip)	MA111 FLAT TP	チップダイオード			
D432	VU172000	Zener Diode	UDZS5.6BTE-17 5.6V	ツェナーダイオード			01
D433	VR496500	Diode (chip)	MA111 FLAT TP	チップダイオード			
D434	VU173000	Zener Diode	UDZS15B TE-17 15V	ツェナーダイオード			01
D435	VJ657300	Diode	AK03 V0 TP	ダイオード			01
D436	VJ657300	Diode	AK03 V0 TP	ダイオード			01
D437	VR496500	Diode (chip)	MA111 FLAT TP	チップダイオード			
D438	VU172800	Zener Diode	UDZS12B TE-17 12V	ツェナーダイオード			01
D501	VJ657300	Diode	AK03 V0 TP	ダイオード			01
D502	VR496500	Diode (chip)	MA111 FLAT TP	チップダイオード			
-505	VR496500	Diode (chip)	MA111 FLAT TP	チップダイオード			

*: New Parts

RANK: Japan only

REF NO.	PART NO.	DESCRIPTION	部 品 名	REMARKS	QTY	RANK
D506	VU172000	Zener Diode	UDZS5.6BTE-17 5.6V	ツェナーダイオード		01
F401	WA864500	Fuse	30A 250V JU	ヒューズ 2 5 0 V	XP7000 J	
F401	V8932000	Fuse	25A 250V JU	ヒューズ 2 5 0 V	XP7000 U,T	03
F401	V5413700	Fuse	TH 10A 250V	ヒューズ 2 5 0 V	XP7000 H,B,A,K,O	01
F401	V8932000	Fuse	25A 250V JU	ヒューズ 2 5 0 V	XP5000 J	03
F401	V8932100	Fuse	20A 250V JU	ヒューズ 2 5 0 V	XP5000 U,T	03
F401	V5413700	Fuse	TH 10A 250V	ヒューズ 2 5 0 V	XP5000 H,B,A,K,O	01
H401	WB122600	Heat Sink	OSV1545-L100-BPM	ヒートシンク	First Lot	
H401	WG803900	HS Assembly L100	L100	放熱板 A s s ' y L 1 0 0	Second Lot	
H402	WB122700	Heat Sink	OSV1545-L65-BPM	ヒートシンク	First Lot	
H402	WH009300	HS Assembly L65	PA 8D88	放熱板 A s s ' y L 6 5	Second Lot	
IC401	X2383A00	IC	SG3525AN	I C	REGULATING PWM	03
IC402	X2382A00	IC	IR2110	I C	DRIVER	06
IC403	XD853A00	IC	NJM7815FA	I C	REGULATOR +15V	03
IC404	XD853A00	IC	NJM7815FA	I C	REGULATOR +15V	03
IC405	XD854A00	IC	NJM7915FA	I C	REGULATOR -15V	03
IC501	XJ604A00	IC	NJM78M05FA	I C	REGULATOR +5V	02
J401	--	Jumper Wire	0.55 TIN	ジャンパー線	U,A,T (VA07890)	
J402	--	Jumper Wire	0.55 TIN	ジャンパー線	U,A,T (VA07890)	
J403	--	Jumper Wire	0.55 TIN	ジャンパー線	J,U,T (VA07890)	
J404	--	Jumper Wire	0.55 TIN	ジャンパー線	J,U,T (VA07890)	
J405	--	Jumper Wire	0.55 TIN	ジャンパー線	H,B,A,K,O (VA07890)	
J406	--	Jumper Wire	0.55 TIN	ジャンパー線	(VA07890)	
-411	--	Jumper Wire	0.55 TIN	ジャンパー線	(VA07890)	
K401	WC533400	GND Plate	MLA8	プレート G N D		
L401	V8740400	Coil	1mH SC-15-10JH	コイル 1 m H		
L402	V8740400	Coil	1mH SC-15-10JH	コイル 1 m H		
L403	VR929200	Coil	10uH LH L 08TB100K	コイル 1 0 u H		01
-405	VR929200	Coil	10uH LH L 08TB100K	コイル 1 0 u H		01
PH401	V8100500	Photo Coupler	TLP421 GR	フォトカブラ		01
PH501	V8100500	Photo Coupler	TLP421 GR	フォトカブラ		01
PH502	V8100500	Photo Coupler	TLP421 GR	フォトカブラ		01
PR401	VM850600	Positive Thermistor	PTFM04BD222Q2N34B0	ポジスタ		04
Q401	WC529400	Transistor	KTC3875S-Y,GR-RTK/	トランジスタ		
Q402	WC434800	Digital Transistor	KRA102S-RTK/P	デジタルトランジスタ		01
Q403	WC435000	Digital Transistor	KRC102S-RTK/P	デジタルトランジスタ		01
Q404	WC434800	Digital Transistor	KRA102S-RTK/P	デジタルトランジスタ		01
Q405	WC435000	Digital Transistor	KRC102S-RTK/P	デジタルトランジスタ		01
Q406	V8629500	IGBT	IRG4PC50U	I G B T		08
Q407	V8629500	IGBT	IRG4PC50U	I G B T		08
Q408	VV556500	Transistor	2SA1037AK Q,R,S	トランジスタ		01
Q409	WC529400	Transistor	KTC3875S-Y,GR-RTK/	トランジスタ		
Q410	WC529400	Transistor	KTC3875S-Y,GR-RTK/	トランジスタ		
Q411	WC435000	Digital Transistor	KRC102S-RTK/P	デジタルトランジスタ		01
Q412	VV556500	Transistor	2SA1037AK Q,R,S	トランジスタ		01
Q413	VI242900	Transistor	2SA1020-Y(TPE6) Y	トランジスタ		01
Q414	WC529400	Transistor	KTC3875S-Y,GR-RTK/	トランジスタ		
-418	WC529400	Transistor	KTC3875S-Y,GR-RTK/	トランジスタ		
Q419	WC434800	Digital Transistor	KRA102S-RTK/P	デジタルトランジスタ		01
Q420	VV556500	Transistor	2SA1037AK Q,R,S	トランジスタ		01
Q421	WC529400	Transistor	KTC3875S-Y,GR-RTK/	トランジスタ		
Q422	WC434800	Digital Transistor	KRA102S-RTK/P	デジタルトランジスタ		01
Q423	VV556500	Transistor	2SA1037AK Q,R,S	トランジスタ		01
Q424	VV556500	Transistor	2SA1037AK Q,R,S	トランジスタ		01
Q425	WC529400	Transistor	KTC3875S-Y,GR-RTK/	トランジスタ		
Q426	WC529400	Transistor	KTC3875S-Y,GR-RTK/	トランジスタ		
Q427	WC434800	Digital Transistor	KRA102S-RTK/P	デジタルトランジスタ		01
Q428	VV556500	Transistor	2SA1037AK Q,R,S	トランジスタ		01
Q429	VV556500	Transistor	2SA1037AK Q,R,S	トランジスタ		01
Q430	VQ547200	Transistor	2SA1837 (HFE)	トランジスタ		03
Q501	WC529400	Transistor	KTC3875S-Y,GR-RTK/	トランジスタ		
Q502	WC434800	Digital Transistor	KRA102S-RTK/P	デジタルトランジスタ		01
Q503	WC435000	Digital Transistor	KRC102S-RTK/P	デジタルトランジスタ		01
Q504	WC529400	Transistor	KTC3875S-Y,GR-RTK/	トランジスタ		
Q505	WC434800	Digital Transistor	KRA102S-RTK/P	デジタルトランジスタ		01
Q506	WC434800	Digital Transistor	KRA102S-RTK/P	デジタルトランジスタ		01
Q507	WC529400	Transistor	KTC3875S-Y,GR-RTK/	トランジスタ		
Q508	WC434800	Digital Transistor	KRA102S-RTK/P	デジタルトランジスタ		01
Q509	WC434800	Digital Transistor	KRA102S-RTK/P	デジタルトランジスタ		01
Q510	WC435000	Digital Transistor	KRC102S-RTK/P	デジタルトランジスタ		01

*: New Parts

RANK: Japan only

REF NO.	PART NO.	DESCRIPTION	部 品 名	REMARKS	QTY	RANK
Q511	VV556500	Transistor	2SA1037AK Q,R,S	トランジスタ		01
Q512	WC529400	Transistor	KTC3875S-Y,GR-RTK/	トランジスタ		
Q513	WC434800	Digital Transistor	KRA102S-RTK/P	デジタルトランジスタ		01
Q514	WC529400	Transistor	KTC3875S-Y,GR-RTK/	トランジスタ		
Q515	WC529400	Transistor	KTC3875S-Y,GR-RTK/	トランジスタ		
Q516	VV556500	Transistor	2SA1037AK Q,R,S	トランジスタ		01
Q517	VV556500	Transistor	2SA1037AK Q,R,S	トランジスタ		01
Q518	WC529400	Transistor	KTC3875S-Y,GR-RTK/	トランジスタ		
Q519	VV556500	Transistor	2SA1037AK Q,R,S	トランジスタ		01
Q520	WC529400	Transistor	KTC3875S-Y,GR-RTK/	トランジスタ		
R401	RD357100	Carbon Resistor (chip)	10K 1/16W J	チップ抵抗		01
R402	RF357200	Carbon Resistor (chip)	20K 1/16W D	チップ抵抗		01
R403	RD155560	Carbon Resistor (chip)	560 1/4W J	チップ抵抗		01
R404	RD155560	Carbon Resistor (chip)	560 1/4W J	チップ抵抗		01
R405	RD355330	Carbon Resistor (chip)	330 1/16W J	チップ抵抗		01
R406	RD356470	Carbon Resistor (chip)	4.7K 1/16W J	チップ抵抗		01
R407	RD358120	Carbon Resistor (chip)	120K 1/16W J	チップ抵抗		01
R408	HF458220	Carbon Resistor	220K 1/4W J	カーボン抵抗		01
R409	HF458220	Carbon Resistor	220K 1/4W J	カーボン抵抗		01
R410	VN067400	Wire Wound Resistor	6.8 5W K	セメント抵抗		03
R411	VN067400	Wire Wound Resistor	6.8 5W K	セメント抵抗		03
R412	RD357220	Carbon Resistor (chip)	22K 1/16W J	チップ抵抗		01
R413	RD356470	Carbon Resistor (chip)	4.7K 1/16W J	チップ抵抗		01
R414	RD357100	Carbon Resistor (chip)	10K 1/16W J	チップ抵抗		01
R415	RD357100	Carbon Resistor (chip)	10K 1/16W J	チップ抵抗		01
R416	RD356470	Carbon Resistor (chip)	4.7K 1/16W J	チップ抵抗		01
R417	RD357220	Carbon Resistor (chip)	22K 1/16W J	チップ抵抗		01
R418	VC766300	Metal Oxide Film Resistor	100K 2W J	酸化金属被膜抵抗		01
R419	VC766300	Metal Oxide Film Resistor	100K 2W J	酸化金属被膜抵抗		01
R420	HV753470	Flame Proof C. Resistor	4.7 1/4W J	不燃化カーボン抵抗		01
R421	HV754100	Flame Proof C. Resistor	10 1/4W J	不燃化カーボン抵抗		01
R422	HV754100	Flame Proof C. Resistor	10 1/4W J	不燃化カーボン抵抗		01
R423	RD356330	Carbon Resistor (chip)	3.3K 1/16W J	チップ抵抗		01
R424	RD356620	Carbon Resistor (chip)	6.2K 1/16W J	チップ抵抗		01
R425	VZ370200	Wire Wound Resistor	0.1 5W K	セメント抵抗		01
-428	VZ370200	Wire Wound Resistor	0.1 5W K	セメント抵抗		01
R429	HV753100	Flame Proof C. Resistor	1.0 1/4W J	不燃化カーボン抵抗		01
R430	HV753470	Flame Proof C. Resistor	4.7 1/4W J	不燃化カーボン抵抗		01
R431	HV753220	Flame Proof C. Resistor	2.2 1/4W J	不燃化カーボン抵抗		01
R432	HV753220	Flame Proof C. Resistor	2.2 1/4W J	不燃化カーボン抵抗		01
R433	RD157100	Carbon Resistor (chip)	10K 1/4W J	チップ抵抗		01
* R434	RD157150	Carbon Resistor (chip)	15K 1/4W J	チップ抵抗		
R435	HF458220	Carbon Resistor	220K 1/4W J	カーボン抵抗		01
R436	HF458220	Carbon Resistor	220K 1/4W J	カーボン抵抗		01
R438	RD357220	Carbon Resistor (chip)	22K 1/16W J	チップ抵抗		01
R439	RD357470	Carbon Resistor (chip)	47K 1/16W J	チップ抵抗		01
R440	RD357470	Carbon Resistor (chip)	47K 1/16W J	チップ抵抗		01
* R441	RD157150	Carbon Resistor (chip)	15K 1/4W J	チップ抵抗		
* R442	RD157150	Carbon Resistor (chip)	15K 1/4W J	チップ抵抗		
R443	RD357100	Carbon Resistor (chip)	10K 1/16W J	チップ抵抗		01
R444	RD357680	Carbon Resistor (chip)	68K 1/16W J	チップ抵抗		01
R445	RD358150	Carbon Resistor (chip)	150K 1/16W J	チップ抵抗		01
R446	RD154100	Carbon Resistor (chip)	10 1/4W J	チップ抵抗		
R447	RD357100	Carbon Resistor (chip)	10K 1/16W J	チップ抵抗		01
R448	RD358100	Carbon Resistor (chip)	100K 1/16W J	チップ抵抗		01
R450	RD358100	Carbon Resistor (chip)	100K 1/16W J	チップ抵抗		01
R451	RD257220	Carbon Resistor (chip)	22K 1/10W J	チップ抵抗		01
R452	RD357680	Carbon Resistor (chip)	68K 1/16W J	チップ抵抗		01
R453	RD358220	Carbon Resistor (chip)	220K 1/16W J	チップ抵抗		01
-455	RD358220	Carbon Resistor (chip)	220K 1/16W J	チップ抵抗		01
R456	RD356120	Carbon Resistor (chip)	1.2K 1/16W J	チップ抵抗		01
R457	RD358100	Carbon Resistor (chip)	100K 1/16W J	チップ抵抗		01
R458	RD358100	Carbon Resistor (chip)	100K 1/16W J	チップ抵抗		01
R459	RD357100	Carbon Resistor (chip)	10K 1/16W J	チップ抵抗		01
R460	RD357560	Carbon Resistor (chip)	56K 1/16W J	チップ抵抗		01
R461	RD355100	Carbon Resistor (chip)	100 1/16W J	チップ抵抗		01
R462	RD357560	Carbon Resistor (chip)	56K 1/16W J	チップ抵抗		01
R463	RD358100	Carbon Resistor (chip)	100K 1/16W J	チップ抵抗		01
R464	RD356680	Carbon Resistor (chip)	6.8K 1/16W J	チップ抵抗		01
R465	RD156180	Carbon Resistor (chip)	1.8K 1/4W J	チップ抵抗		01

*: New Parts

RANK: Japan only

REF NO.	PART NO.	DESCRIPTION		部	品	名	REMARKS	QTY	RANK	
R466	RD156180	Carbon Resistor (chip)	1.8K 1/4W J	チ	ッ	ブ	抵抗		01	
R467	RD356820	Carbon Resistor (chip)	8.2K 1/16W J	チ	ッ	ブ	抵抗		01	
R468	RD355100	Carbon Resistor (chip)	100 1/16W J	チ	ッ	ブ	抵抗		01	
R469	RD358150	Carbon Resistor (chip)	150K 1/16W J	チ	ッ	ブ	抵抗		01	
R470	RD357220	Carbon Resistor (chip)	22K 1/16W J	チ	ッ	ブ	抵抗		01	
R471	RD156560	Carbon Resistor (chip)	5.6K 1/4W J	チ	ッ	ブ	抵抗		01	
R472	RD355100	Carbon Resistor (chip)	100 1/16W J	チ	ッ	ブ	抵抗		01	
R473	RD355330	Carbon Resistor (chip)	330 1/16W J	チ	ッ	ブ	抵抗		01	
R474	RD355330	Carbon Resistor (chip)	330 1/16W J	チ	ッ	ブ	抵抗		01	
R476	RD355220	Carbon Resistor (chip)	220 1/16W J	チ	ッ	ブ	抵抗		01	
* R477	RD156820	Carbon Resistor (chip)	8.2K 1/4W J	チ	ッ	ブ	抵抗			
R478	RD156180	Carbon Resistor (chip)	1.8K 1/4W J	チ	ッ	ブ	抵抗		01	
R479	RD156180	Carbon Resistor (chip)	1.8K 1/4W J	チ	ッ	ブ	抵抗		01	
R480	RD258120	Carbon Resistor (chip)	120K 1/10W J	チ	ッ	ブ	抵抗		01	
R481	RD258120	Carbon Resistor (chip)	120K 1/10W J	チ	ッ	ブ	抵抗		01	
R482	RD156220	Carbon Resistor (chip)	2.2K 1/4W J	チ	ッ	ブ	抵抗		01	
R483	RD156220	Carbon Resistor (chip)	2.2K 1/4W J	チ	ッ	ブ	抵抗		01	
* R484	RD156820	Carbon Resistor (chip)	8.2K 1/4W J	チ	ッ	ブ	抵抗			
R487	RD355220	Carbon Resistor (chip)	220 1/16W J	チ	ッ	ブ	抵抗		01	
R489	RD356470	Carbon Resistor (chip)	4.7K 1/16W J	チ	ッ	ブ	抵抗		01	
R501	RD356100	Carbon Resistor (chip)	1.0K 1/16W J	チ	ッ	ブ	抵抗		01	
R502	RD355100	Carbon Resistor (chip)	100 1/16W J	チ	ッ	ブ	抵抗		01	
R503	RD156180	Carbon Resistor (chip)	1.8K 1/4W J	チ	ッ	ブ	抵抗		01	
R504	RD256100	Carbon Resistor (chip)	1K 1/10W J	チ	ッ	ブ	抵抗		01	
R505	RD156180	Carbon Resistor (chip)	1.8K 1/4W J	チ	ッ	ブ	抵抗		01	
R506	RD357100	Carbon Resistor (chip)	10K 1/16W J	チ	ッ	ブ	抵抗		01	
R507	RD356100	Carbon Resistor (chip)	1.0K 1/16W J	チ	ッ	ブ	抵抗		01	
R508	RD155130	Carbon Resistor (chip)	130 1/4W J	チ	ッ	ブ	抵抗			
R509	RD155130	Carbon Resistor (chip)	130 1/4W J	チ	ッ	ブ	抵抗			
R510	RD355100	Carbon Resistor (chip)	100 1/16W J	チ	ッ	ブ	抵抗		01	
R511	RD155470	Carbon Resistor (chip)	470 1/4W J	チ	ッ	ブ	抵抗			
R512	RD155560	Carbon Resistor (chip)	560 1/4W J	チ	ッ	ブ	抵抗		01	
R513	RD355100	Carbon Resistor (chip)	100 1/16W J	チ	ッ	ブ	抵抗		01	
R514	RD358100	Carbon Resistor (chip)	100K 1/16W J	チ	ッ	ブ	抵抗		01	
R515	RD357100	Carbon Resistor (chip)	10K 1/16W J	チ	ッ	ブ	抵抗		01	
R516	RD357220	Carbon Resistor (chip)	22K 1/16W J	チ	ッ	ブ	抵抗		01	
R517	RD357220	Carbon Resistor (chip)	22K 1/16W J	チ	ッ	ブ	抵抗		01	
R518	RD155130	Carbon Resistor (chip)	130 1/4W J	チ	ッ	ブ	抵抗			
R519	RD155130	Carbon Resistor (chip)	130 1/4W J	チ	ッ	ブ	抵抗			
R520	RD357220	Carbon Resistor (chip)	22K 1/16W J	チ	ッ	ブ	抵抗		01	
R521	RD357470	Carbon Resistor (chip)	47K 1/16W J	チ	ッ	ブ	抵抗		01	
R522	RD357220	Carbon Resistor (chip)	22K 1/16W J	チ	ッ	ブ	抵抗		01	
R523	RD357470	Carbon Resistor (chip)	47K 1/16W J	チ	ッ	ブ	抵抗		01	
R524	RD358150	Carbon Resistor (chip)	150K 1/16W J	チ	ッ	ブ	抵抗		01	
R525	RD358150	Carbon Resistor (chip)	150K 1/16W J	チ	ッ	ブ	抵抗		01	
R526	RD357220	Carbon Resistor (chip)	22K 1/16W J	チ	ッ	ブ	抵抗		01	
R527	RD357220	Carbon Resistor (chip)	22K 1/16W J	チ	ッ	ブ	抵抗		01	
R528	RD357470	Carbon Resistor (chip)	47K 1/16W J	チ	ッ	ブ	抵抗		01	
* R529	RD153330	Carbon Resistor (chip)	3.3 1/4W J	チ	ッ	ブ	抵抗			
* -532	RD153330	Carbon Resistor (chip)	3.3 1/4W J	チ	ッ	ブ	抵抗			
RY401	V8628500	Relay	JM1AN-P-DC24V	リ	レ	ー			07	
T401	X5642A00	Power Transformer	A	電	源	ト	ラ	ン	ス	J
T401	X5643A00	Power Transformer	UL,CSA A	電	源	ト	ラ	ン	ス	U,T
T401	X5644A00	Power Transformer	CE E	電	源	ト	ラ	ン	ス	H,B,K,O
T401	X5645A00	Power Transformer	CE E	電	源	ト	ラ	ン	ス	A
T402	X5636A00	Power Transformer	J A	電	源	ト	ラ	ン	ス	XP7000 J
T402	X5637A00	Power Transformer	UL CSA A	電	源	ト	ラ	ン	ス	XP7000 U,A,T
T402	X5638A00	Power Transformer	CE E	電	源	ト	ラ	ン	ス	XP7000 H,B,K,O
T402	X5639A00	Power Transformer	J A	電	源	ト	ラ	ン	ス	XP5000 J
T402	X5640A00	Power Transformer	UL CSA A	電	源	ト	ラ	ン	ス	XP5000U,A,T
T402	X5641A00	Power Transformer	CE E	電	源	ト	ラ	ン	ス	XP5000H,B,K,O
* W401	WD360000	Connector Assembly	B&C	束	線	B	&	C		
* W402	WD360100	Connector Assembly	B&C	束	線					
* W403	WD360200	Connector Assembly	B&C	束	線					
* W406	WD360300	Connector Assembly	B&C	束	線					
* W407	WD360400	Connector Assembly	B&C	束	線					
* W408	WD360500	Connector Assembly	B&C	束	線					
* WF399600	Circuit Board	IO (SUB 1/4)		I	O	シ	ー	ト		XP7000 (X6754D0)
* WF399700	Circuit Board	IO (SUB 1/4)		I	O	シ	ー	ト		XP5000 (X6754D0)

*: New Parts

RANK: Japan only

REF NO.	PART NO.	DESCRIPTION		部 品 名	REMARKS	QTY	RANK
*	WF400100	Circuit Board	PSW (SUB 2/4)	P S W シ ー ト	XP7000 (X6754D0)		
*	WF400200	Circuit Board	PSW (SUB 2/4)	P S W シ ー ト	XP5000 (X6754D0)		
*	WF400600	Circuit Board	VR (SUB 3/4)	V R シ ー ト	XP7000 (X6754D0)		
*	WF400700	Circuit Board	VR (SUB 3/4)	V R シ ー ト	XP5000 (X6754D0)		
*	WF401100	Circuit Board	LED (SUB 4/4)	L E D シ ー ト	XP7000 (X6754D0)		
*	WF401200	Circuit Board	LED (SUB 4/4)	L E D シ ー ト	XP5000 (X6754D0)		
	WD494300	Earth Film		ア ー ス フ ィ ル ム			
	WG463400	Earth Film		ア ー ス フ ィ ル ム			
C301	US061220	Ceramic Capacitor-CH(chip)	22P 50V J	チ ッ プ セ ラ (C H)			01
-304	US061220	Ceramic Capacitor-CH(chip)	22P 50V J	チ ッ プ セ ラ (C H)			01
C305	US061560	Ceramic Capacitor-CH(chip)	56P 50V J	チ ッ プ セ ラ (C H)			01
-310	US061560	Ceramic Capacitor-CH(chip)	56P 50V J	チ ッ プ セ ラ (C H)			01
C311	VR168400	Monolithic Mylar Capacitor	ECQ-V1H124JL3	積 層 マ イ ラ ー コ ン			01
-318	VR168400	Monolithic Mylar Capacitor	ECQ-V1H124JL3	積 層 マ イ ラ ー コ ン			01
C319	US061220	Ceramic Capacitor-CH(chip)	22P 50V J	チ ッ プ セ ラ (C H)			01
C320	WD707800	Ceramic Capacitor-B	2200P 1KV K	セ ラ コ ン (B)			
C321	WD707800	Ceramic Capacitor-B	2200P 1KV K	セ ラ コ ン (B)			
C322	US064100	Ceramic Capacitor-B (chip)	0.01 50V K	チ ッ プ セ ラ (B)			01
C323	US064100	Ceramic Capacitor-B (chip)	0.01 50V K	チ ッ プ セ ラ (B)			01
C324	WD707800	Ceramic Capacitor-B	2200P 1KV K	セ ラ コ ン (B)			
C325	WD707800	Ceramic Capacitor-B	2200P 1KV K	セ ラ コ ン (B)			
C326	US062470	Ceramic Capacitor-SL(chip)	470P 50V J	チ ッ プ セ ラ (S L)			01
C327	US062470	Ceramic Capacitor-SL(chip)	470P 50V J	チ ッ プ セ ラ (S L)			01
C328	US063100	Ceramic Capacitor-B (chip)	1000P 50V K	チ ッ プ セ ラ (B)			01
C329	US063100	Ceramic Capacitor-B (chip)	1000P 50V K	チ ッ プ セ ラ (B)			01
C330	VR168700	Monolithic Mylar Capacitor	ECQ-V1H224JL3	積 層 マ イ ラ ー コ ン			01
-333	VR168700	Monolithic Mylar Capacitor	ECQ-V1H224JL3	積 層 マ イ ラ ー コ ン			01
C334	UR866470	Electrolytic Cap.	4.7 50V	ケ ミ コ ン			01
C335	UR866470	Electrolytic Cap.	4.7 50V	ケ ミ コ ン			01
C336	US065100	Ceramic Capacitor-F (chip)	0.1 50V Z	チ ッ プ セ ラ (F)			
-345	US065100	Ceramic Capacitor-F (chip)	0.1 50V Z	チ ッ プ セ ラ (F)			
CN301	VB390300	Connector Base Post	PH 7P TE	コ ネ ク タ ベ ー ス ポ ス ト			01
CN302	VB390400	Base Post	PH 8P TE	ベ ー ス ポ ス ト			01
CN303	VB858600	Base Post	PH 7P SE	ベ ー ス ポ ス ト			01
CN304	VB390200	Connector Base Post	PH 6P TE	コ ネ ク タ ベ ー ス ポ ス ト			01
D301	VR496500	Diode (chip)	MA111 FLAT TP	チ ッ プ ダ イ オ ー ド			
-305	VR496500	Diode (chip)	MA111 FLAT TP	チ ッ プ ダ イ オ ー ド			
HO301	VI878400	Cable Holder	51048 6P TE	ケ ー ブ ル ホ ル ダ ー			01
HO302	VI878400	Cable Holder	51048 6P TE	ケ ー ブ ル ホ ル ダ ー			01
HO303	WD494800	LED Spacer		ス ペ ー サ ル E D			
-308	WD494800	LED Spacer		ス ペ ー サ ル E D			
IC301	X3505A00	IC	NJM2068M-D(TE2)	I C	OP AMP		02
-305	X3505A00	IC	NJM2068M-D(TE2)	I C	OP AMP		02
JK301	WA767800	Cannon Connector	JACK XLR-301J	キ ャ ノ ン コ ネ ク タ	INPUT A		03
JK302	WA767800	Cannon Connector	JACK XLR-301J	キ ャ ノ ン コ ネ ク タ	INPUT B		03
JK303	V8918400	Mini Lug Terminal 6P	ME050-50806	ミ ニ 端 子 台 6 P	INPUT A,B		06
JK304	V6706500	Connector	KH 15P SE	D - S u b コ ネ ク タ	MONITOR/REMOTE		05
LD301	WA097500	LED Green	3-00 DIFFUSED	L E D	SIGNAL A		01
LD302	WA097500	LED Green	3-00 DIFFUSED	L E D	SIGNAL B		01
LD303	V9790400	LED Red	HFR203PJ-3-00	L E D	CLIP A		01
LD304	V9790400	LED Red	HFR203PJ-3-00	L E D	CLIP B		01
LD305	V9790400	LED Red	HFR203PJ-3-00	L E D	TEMP		01
LD306	V9790400	LED Red	HFR203PJ-3-00	L E D	PROTECTION		01
LD307	VS079300	LED Red/Green	SPR-39MVWF	L E D 2 色	POWER/STANDBY		01
Q301	WC529400	Transistor	KTC3875S-Y,GR-RTK/	ト ラ ン ジ ス タ			
Q302	WC529400	Transistor	KTC3875S-Y,GR-RTK/	ト ラ ン ジ ス タ			
Q303	WC435000	Digital Transistor	KRC102S-RTK/P	デ ジ タ ル ト ラ ン ジ ス タ			01
Q304	WC435000	Digital Transistor	KRC102S-RTK/P	デ ジ タ ル ト ラ ン ジ ス タ			01
Q305	WC434800	Digital Transistor	KRA102S-RTK/P	デ ジ タ ル ト ラ ン ジ ス タ			01
-308	WC434800	Digital Transistor	KRA102S-RTK/P	デ ジ タ ル ト ラ ン ジ ス タ			01
R301	RD557100	Thick Film Chip Resistor	10K 1/10W D	チ ッ プ 厚 膜 抵 抗			01
-308	RD557100	Thick Film Chip Resistor	10K 1/10W D	チ ッ プ 厚 膜 抵 抗			01
R309	RD354180	Carbon Resistor (chip)	18 1/16W J	チ ッ プ 抵 抗			01
R310	RD354180	Carbon Resistor (chip)	18 1/16W J	チ ッ プ 抵 抗			01
R311	RD356910	Carbon Resistor (chip)	9.1K 1/16W J	チ ッ プ 抵 抗			01
R312	RD356910	Carbon Resistor (chip)	9.1K 1/16W J	チ ッ プ 抵 抗			01
R313	RD356620	Carbon Resistor (chip)	6.2K 1/16W J	チ ッ プ 抵 抗			01
R314	RD356620	Carbon Resistor (chip)	6.2K 1/16W J	チ ッ プ 抵 抗			01
R315	RD357180	Carbon Resistor (chip)	18K 1/16W J	チ ッ プ 抵 抗	XP7000		01
R315	RD357120	Carbon Resistor (chip)	12K 1/16W J	チ ッ プ 抵 抗	XP5000		01

*: New Parts

RANK: Japan only

REF NO.	PART NO.	DESCRIPTION		部 品 名	REMARKS	QTY	RANK
R316	RD357180	Carbon Resistor (chip)	18K 1/16W J	チ ッ プ 抵 抗	XP7000		01
R316	RD357120	Carbon Resistor (chip)	12K 1/16W J	チ ッ プ 抵 抗	XP5000		01
R317	RD557100	Thick Film Chip Resistor	10K 1/10W D	チ ッ プ 厚 膜 抵 抗			01
-324	RD557100	Thick Film Chip Resistor	10K 1/10W D	チ ッ プ 厚 膜 抵 抗			01
* R325	RD556620	Thick Film Chip Resistor	6.2K 1/10W D	チ ッ プ 厚 膜 抵 抗			
R326	RD556620	Thick Film Chip Resistor	6.2K 1/10W D	チ ッ プ 厚 膜 抵 抗			
* R327	RD555300	Thick Film Chip Resistor	300 1/10W D	チ ッ プ 厚 膜 抵 抗	XP7000		
* R327	RD556150	Thick Film Chip Resistor	1.5K 1/10W D	チ ッ プ 厚 膜 抵 抗	XP5000		
* R328	RD555300	Thick Film Chip Resistor	300 1/10W D	チ ッ プ 厚 膜 抵 抗	XP7000		
* R328	RD556150	Thick Film Chip Resistor	1.5K 1/10W D	チ ッ プ 厚 膜 抵 抗	XP5000		
R329	RD354180	Carbon Resistor (chip)	18 1/16W J	チ ッ プ 抵 抗			01
R330	RD354180	Carbon Resistor (chip)	18 1/16W J	チ ッ プ 抵 抗			01
* R331	RD557390	Thick Film Chip Resistor	39K 1/10W D	チ ッ プ 厚 膜 抵 抗			
* R332	RD557390	Thick Film Chip Resistor	39K 1/10W D	チ ッ プ 厚 膜 抵 抗			
* R333	RD558100	Thick Film Chip Resistor	100K 1/10W D	チ ッ プ 厚 膜 抵 抗			
* R334	RD558100	Thick Film Chip Resistor	100K 1/10W D	チ ッ プ 厚 膜 抵 抗			
* R335	RD557150	Thick Film Chip Resistor	15K 1/10W D	チ ッ プ 厚 膜 抵 抗			
* R336	RD557150	Thick Film Chip Resistor	15K 1/10W D	チ ッ プ 厚 膜 抵 抗			
* R337	RD557390	Thick Film Chip Resistor	39K 1/10W D	チ ッ プ 厚 膜 抵 抗			
* R338	RD557390	Thick Film Chip Resistor	39K 1/10W D	チ ッ プ 厚 膜 抵 抗			
R339	RD354180	Carbon Resistor (chip)	18 1/16W J	チ ッ プ 抵 抗			01
-342	RD354180	Carbon Resistor (chip)	18 1/16W J	チ ッ プ 抵 抗			01
R343	RD557100	Thick Film Chip Resistor	10K 1/10W D	チ ッ プ 厚 膜 抵 抗			01
R344	RD557100	Thick Film Chip Resistor	10K 1/10W D	チ ッ プ 厚 膜 抵 抗			01
R345	RD354180	Carbon Resistor (chip)	18 1/16W J	チ ッ プ 抵 抗			01
R346	HV754220	Flame Proof C. Resistor	22 1/4W J	不 燃 化 カ ー ボ ン 抵 抗			01
R347	HV754220	Flame Proof C. Resistor	22 1/4W J	不 燃 化 カ ー ボ ン 抵 抗			01
R348	VC748800	Metal Oxide Film Resistor	3.3K 1W J	酸 化 金 属 被 膜 抵 抗			01
-351	VC748800	Metal Oxide Film Resistor	3.3K 1W J	酸 化 金 属 被 膜 抵 抗			01
R352	RD155330	Carbon Resistor (chip)	330 1/4W J	チ ッ プ 抵 抗			01
R353	RD155330	Carbon Resistor (chip)	330 1/4W J	チ ッ プ 抵 抗			01
R354	RD354100	Carbon Resistor (chip)	10 1/16W J	チ ッ プ 抵 抗			01
R355	RD556100	Thick Film Chip Resistor	1K 1/10W D	チ ッ プ 厚 膜 抵 抗	XP7000		01
* R355	RD556120	Thick Film Chip Resistor	1.2K 1/10W D	チ ッ プ 厚 膜 抵 抗	XP5000		
R356	HV754220	Flame Proof C. Resistor	22 1/4W J	不 燃 化 カ ー ボ ン 抵 抗			01
R357	HV754220	Flame Proof C. Resistor	22 1/4W J	不 燃 化 カ ー ボ ン 抵 抗			01
* R358	RD157150	Carbon Resistor (chip)	15K 1/4W J	チ ッ プ 抵 抗			
* R359	RD157150	Carbon Resistor (chip)	15K 1/4W J	チ ッ プ 抵 抗			
R360	RD156470	Carbon Resistor (chip)	4.7K 1/4W J	チ ッ プ 抵 抗			
R361	RD156470	Carbon Resistor (chip)	4.7K 1/4W J	チ ッ プ 抵 抗			
R362	RD356470	Carbon Resistor (chip)	4.7K 1/16W J	チ ッ プ 抵 抗			01
R363	RD356470	Carbon Resistor (chip)	4.7K 1/16W J	チ ッ プ 抵 抗			01
R364	RD357100	Carbon Resistor (chip)	10K 1/16W J	チ ッ プ 抵 抗			01
R365	RD357100	Carbon Resistor (chip)	10K 1/16W J	チ ッ プ 抵 抗			01
R366	RD355220	Carbon Resistor (chip)	220 1/16W J	チ ッ プ 抵 抗			01
-369	RD355220	Carbon Resistor (chip)	220 1/16W J	チ ッ プ 抵 抗			01
R370	RD156120	Carbon Resistor (chip)	1.2K 1/4W J	チ ッ プ 抵 抗			
-381	RD156120	Carbon Resistor (chip)	1.2K 1/4W J	チ ッ プ 抵 抗			
R382	RD356470	Carbon Resistor (chip)	4.7K 1/16W J	チ ッ プ 抵 抗			01
-385	RD356470	Carbon Resistor (chip)	4.7K 1/16W J	チ ッ プ 抵 抗			01
SP301	V8181700	Receptacle	NL4MD-H	レ セ プ タ ク ル 4 P	SPEAKERS A2		06
SP302	V8181700	Receptacle	NL4MD-H	レ セ プ タ ク ル 4 P	SPEAKERS B2		06
SP303	VZ956900	Speaker Terminal	STB-403AU 4P	ス ピ ー カ 端 子	SPEAKERS A1,B1		06
* SW301	WF467100	Slide Switch	SS001-P243OHB-PA14	ス ラ イ ド S W	MODE		
* SW302	WF467100	Slide Switch	SS001-P243OHB-PA14	ス ラ イ ド S W	GAIN		
* SW303	WF467100	Slide Switch	SS001-P243OHB-PA14	ス ラ イ ド S W	HPF A		
* SW304	WF467100	Slide Switch	SS001-P243OHB-PA14	ス ラ イ ド S W	HPF B		
SW305	WE248300	Push Switch	SY17-4-2(U1D1)/T	プ ッ シ ュ S W	ON/OFF		05
VR301	VR150500	Rotary Variable Resistor	5K RK271112	ロ ー タ リ ー V R	ATTENUATOR A		07
VR302	VR150500	Rotary Variable Resistor	5K RK271112	ロ ー タ リ ー V R	ATTENUATOR B		07
W301	WD359800	Connector Assembly	B&B	束 線 B & B			
* W302	WF444600	Jumper Wire	SMV2J P=2 6-40	ジャンパーリード			
* W303	WD361200	Connector Assembly	OUT	束 線 O U T			
* W304	WF444300	Connector Assembly	B&C 1P 250L OR	束 線			
* W305	WD360100	Connector Assembly	B&C	束 線			
* W306	WD360900	Connector Assembly	B&C	束 線			
* W307	WF443100	Connector Assembly	B&C 1P 200L GY	束 線			
* W308	WF443100	Connector Assembly	B&C 1P 200L GY	束 線			
* W309	WF443200	Connector Assembly	B&C 1P 200L VI	束 線			
* W310	WF872900	Connector Assembly	B&C 10P 200L	束 線			

*: New Parts

RANK: Japan only

POWER AMPLIFIER

XP 7000/XP 5000

CIRCUIT DIAGRAM

■ CONTENTS (目次)

IC & DIODE OUTSIDE FIGURE (外形図)	2
BLOCK DIAGRAM (ブロックダイアグラム)	3
WIRING DIAGRAM (基板結線図)	4
CIRCUIT DIAGRAM (回路図)	
IO, LED, PSW, VR	5
PAH 1/2	6
PAH 2/2	7
PS	8
COIL	9

■ Capacitor (コンデンサー)

(FW)	: Aluminum Electrolytic Capacitor	(アルミニウム電解コンデンサー)
規格認定コン	: Capacitor	(規格認定コン)
(セ)	: Ceramic Capacitor	(セラミックコンデンサー)
(フ)	: Film Capacitor	(フィルムコンデンサー)
(マイカ)	: Mica Capacitor	(マイカコンデンサー)
(マ)	: Mylar Capacitor	(マイラーコンデンサー)

■ Resistor (抵抗)

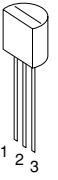
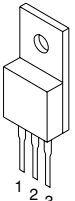
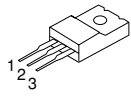
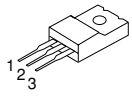
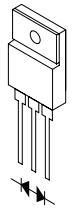
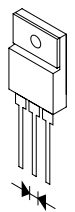
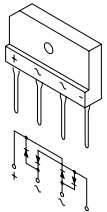
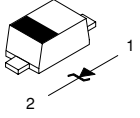
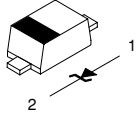
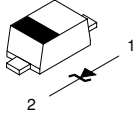
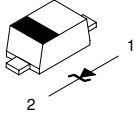
(フ)	: Flame Proof C. Resistor	(不燃化カーボン抵抗)
(D)	: Metal Film Resistor	(金属被膜抵抗)
(F)	: Metal Film Resistor	(金属被膜抵抗)
酸金	: Metal Oxide Film Resistor	(酸化金属被膜抵抗)

■ WARNING (注意)

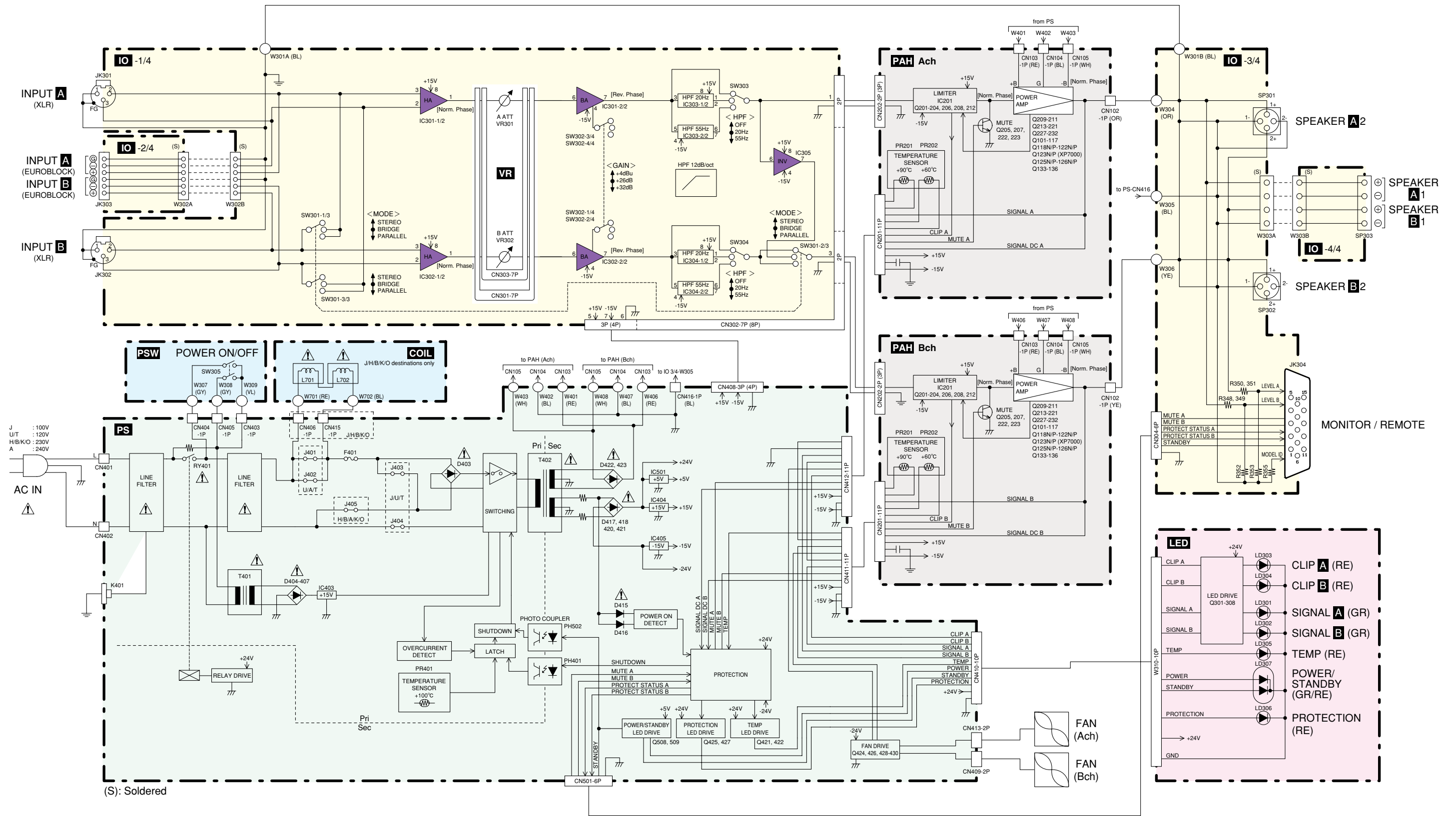
Components having special characteristics are marked and \triangle must be replaced with parts having specification equal to those originally installed.

\triangle 印の部品は、安全を維持するために重要な部品です。交換する場合は、安全のために必ず指定の部品をご使用ください。

■ IC & DIODE OUTSIDE FIGURE (外形図)

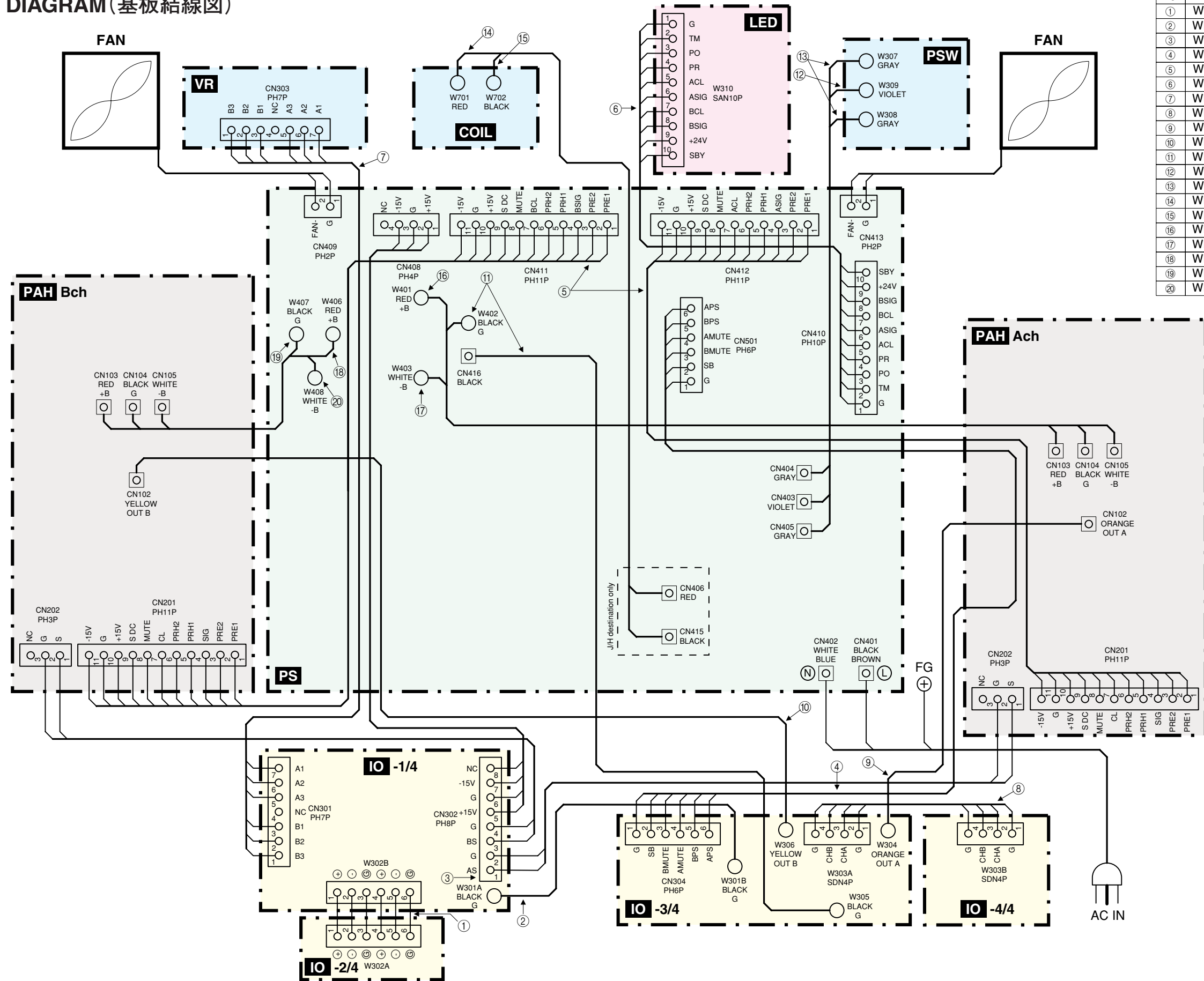
<p>NJM431 (XM882A00) REGULATOR PAH: IC202</p>  <p>1: REF 2: ANODE 3: CATHODE</p>	<p>NJM7815FA (XD853A00) REGULATOR +15V PS: IC403, IC404</p>  <p>1: INPUT 2: COMMON 3: OUTPUT</p>	<p>NJM78M05FA (XJ604A00) REGULATOR +5V PS: IC501</p>  <p>1: INPUT 2: COMMON 3: OUTPUT</p>	<p>NJM7915FA (XD854A00) REGULATOR -15V PS: IC405</p>  <p>1: COMMON 2: INPUT 3: OUTPUT</p>
<p>FMU-36R (V8498700) DIODE STACK 20.0A 600V PS: D423</p> 	<p>FMU-36S (VN399500) DIODE STACK 20.0A 600V PS: D422</p> 	<p>RBV-2506 (V4833600) DIODE STACK 25.0A 600V PS: D403</p> 	<p>UDZS12B TE-17 (VU172800) ZENER DIODE 12V PS: D401, D438</p>  <p>1: ANODE 2: CATHODE</p>
<p>UDZS15B TE-17 (VU173000) ZENER DIODE 15V PS: D434</p>  <p>1: ANODE 2: CATHODE</p>	<p>UDZS5.6BTE-17 (VU172000) ZENER DIODE 5.6V PS: D432, D506</p>  <p>1: ANODE 2: CATHODE</p>	<p>UDZS6.8BTE-17 (VU172200) ZENER DIODE 6.8V PS: D419, D427</p>  <p>1: ANODE 2: CATHODE</p>	

■ BLOCK DIAGRAM(ブロックダイアグラム)



(S): Soldered

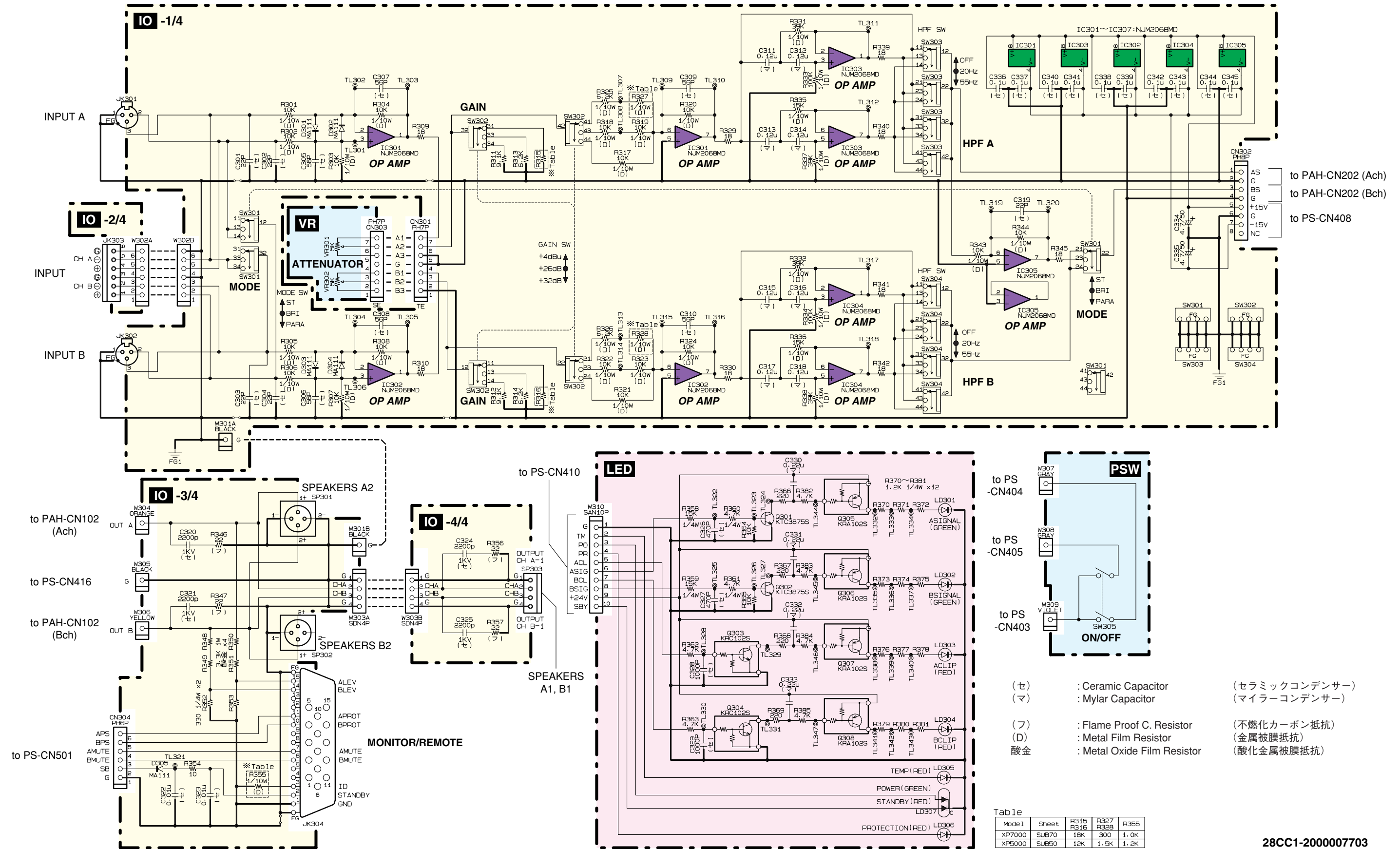
■ WIRING DIAGRAM (基板結線図)



No.	Part No.	Part Name
①	WF444600	Jumper Wire SMV2J P=2 6-40
②	WD359800	Connector Assembly B&B
③	WF442900	Connector Assembly SIG
④	WF442800	Connector Assembly C&C+TUBE 6P 450L
⑤	WF442700	Connector Assembly C&C+TUBE 11P 400L
⑥	WF872900	Connector Assembly B&C 10P 200L
⑦	WD359600	Connector Assembly ATT
⑧	WD361200	Connector Assembly OUT
⑨	WF444300	Connector Assembly B&C 1P 250L OR
⑩	WD360900	Connector Assembly B&C
⑪	WD360100	Connector Assembly B&C
⑫	WF443200	Connector Assembly B&C 1P 200L VI
⑬	WF443100	Connector Assembly B&C 1P 200L GY
⑭	WD361000	Connector Assembly B&C
⑮	WD361100	Connector Assembly B&C
⑯	WD360000	Connector Assembly B&C
⑰	WD360200	Connector Assembly B&C
⑱	WD360300	Connector Assembly B&C
⑲	WD360400	Connector Assembly B&C
⑳	WD360500	Connector Assembly B&C

■ IO, LED, PSW & VR CIRCUIT DIAGRAM (XP7000/XP5000)

Note: See parts list for details of circuit board component parts.
注： シートの部品詳細はパーツリストをご参照ください。



Table

Model	Sheet	R315	R327	R355
XP7000	SUB70	18K	300	1.0K
XP5000	SUB50	12K	1.5K	1.2K

PAH CIRCUIT DIAGRAM 1/2 (XP7000/XP5000)

Note: See parts list for details of circuit board component parts.
注： シートの部品詳細はパーツリストをご参照ください。

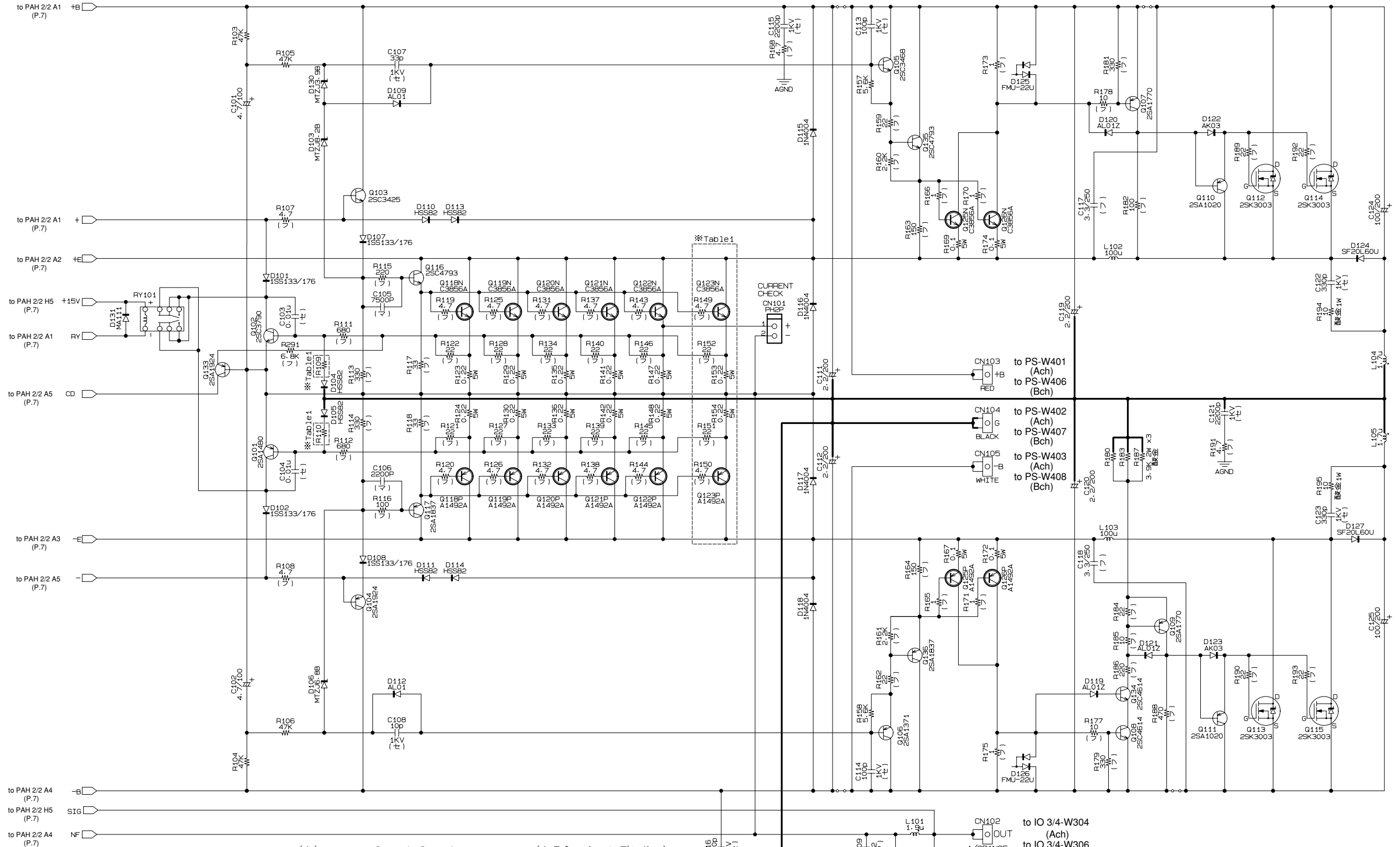


Table 1

Mode	Sheet	R109 R110	R149~R154 Q123N Q123P
XP7000	PAH70	56K	○
XP5000	PAH50	43K	—

- (セ) : Ceramic Capacitor (セラミックコンデンサー)
- (フ) : Film Capacitor (フィルムコンデンサー)
- (マ) : Mylar Capacitor (マイラーコンデンサー)
- (フ) : Flame Proof C. Resistor (不燃化カーボン抵抗)
- 酸金 : Metal Oxide Film Resistor (酸化金属被膜抵抗)

to PS-W401 (Ach)
to PS-W406 (Bch)

to PS-W402 (Ach)
to PS-W407 (Bch)

to PS-W403 (Ach)
to PS-W408 (Bch)

to IO 3/4-W304 (Ach)
to IO 3/4-W306 (Bch)

■ PAH CIRCUIT DIAGRAM 2/2 (XP7000/XP5000)

Note: See parts list for details of circuit board component parts.
 注： シートの部品詳細はパーツリストをご参照ください。

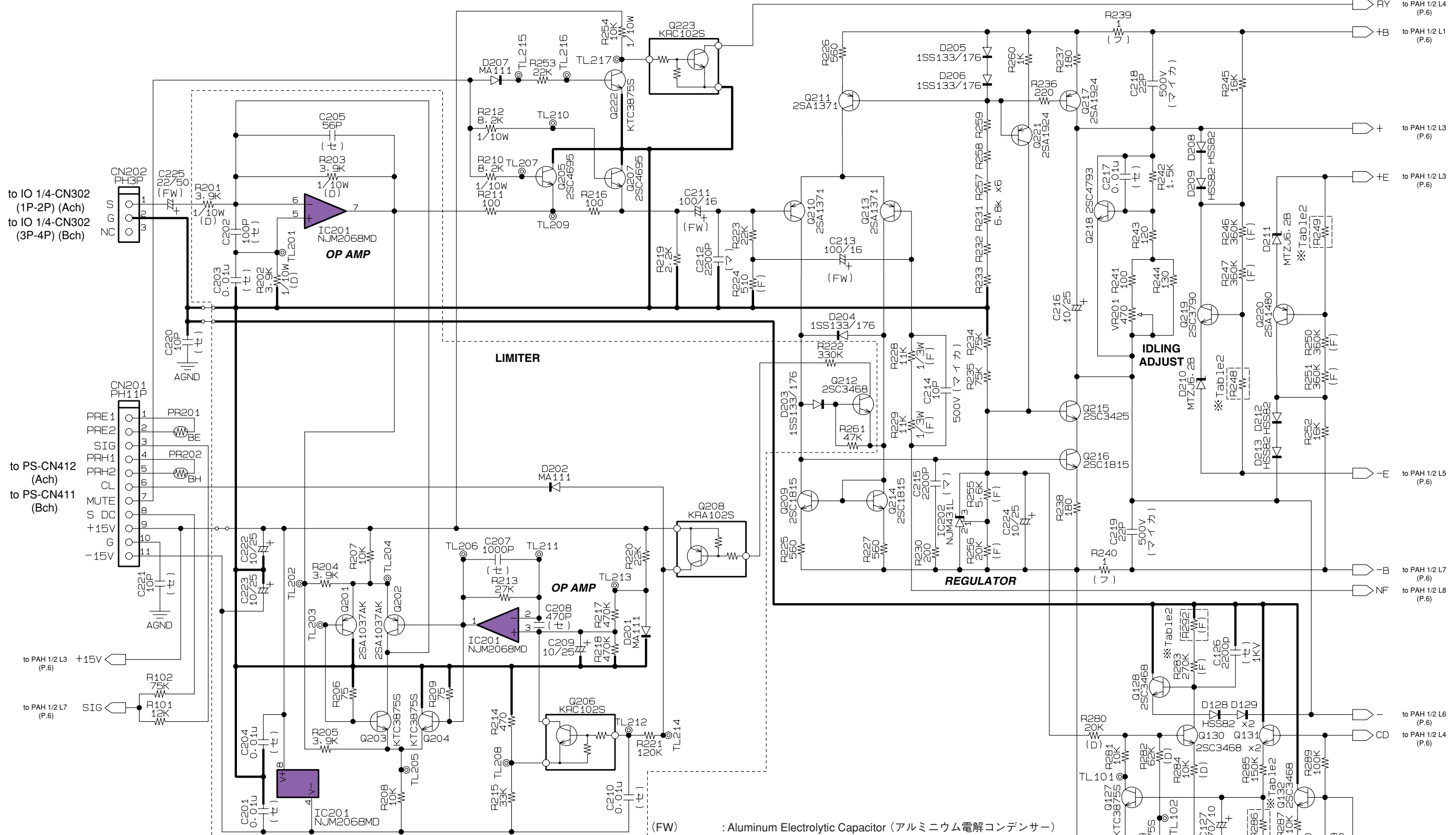


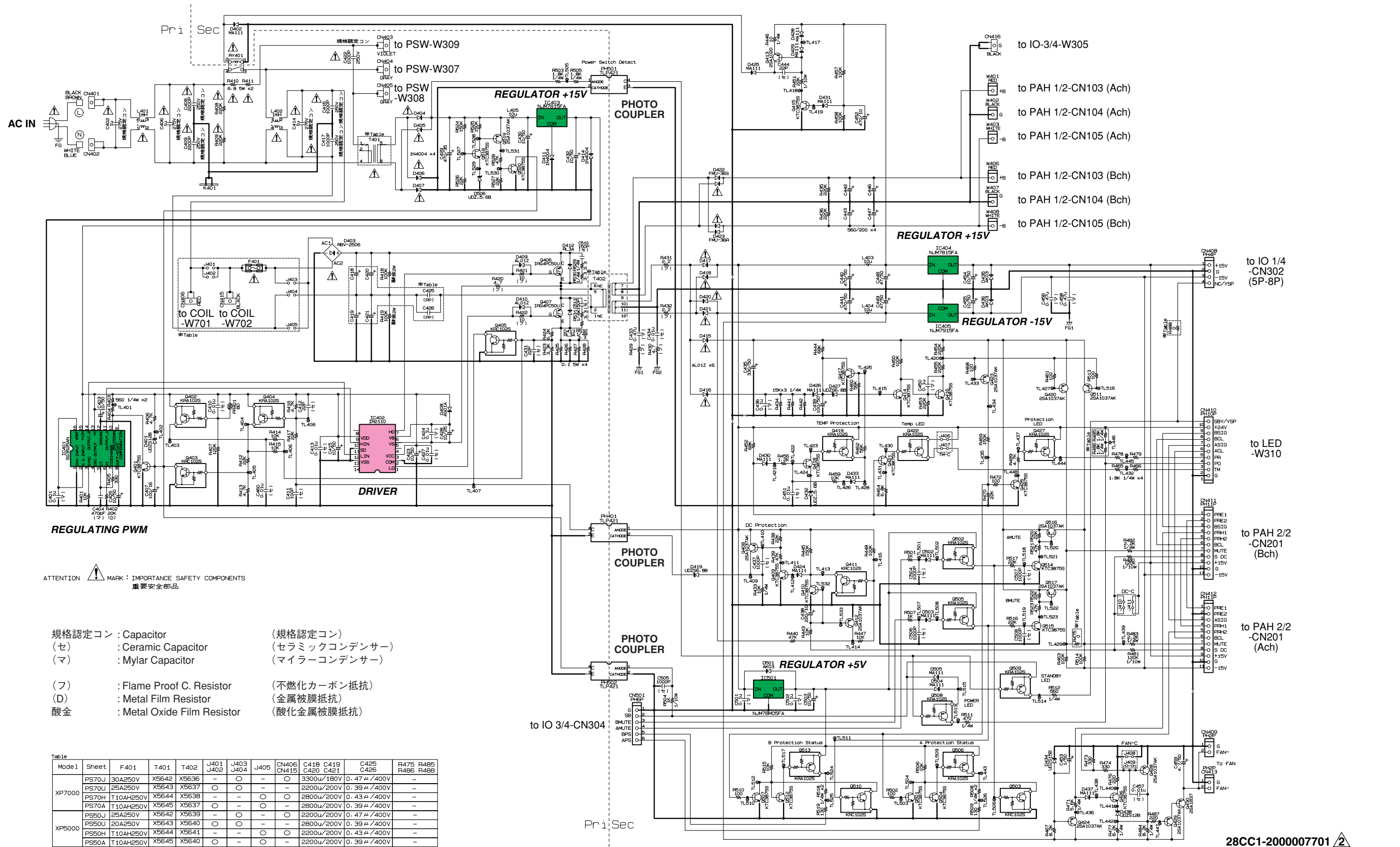
Table2

Model	Sheet	R248	R249	R286	R292
XP7000	PAH70	20K (F)	100K	100K	270K (F)
XP5000	PAH50	22K (F)	68K	68K	180K (F)

- (FW) : Aluminum Electrolytic Capacitor (アルミニウム電解コンデンサー)
- (セ) : Ceramic Capacitor (セラミックコンデンサー)
- (マイカ) : Mica Capacitor (マイカコンデンサー)
- (マ) : Mylar Capacitor (マイラーコンデンサー)
- (フ) : Flame Proof C. Resistor (不燃化カーボン抵抗)
- (D) : Metal Film Resistor (金属被膜抵抗)
- (F) : Metal Film Resistor (金属被膜抵抗)

PS CIRCUIT DIAGRAM (XP7000/XP5000)

Note: See parts list for details of circuit board component parts.
 注： シートの部品詳細はパーツリストをご参照ください。



ATTENTION MARK : IMPORTANCE SAFETY COMPONENTS
 重要安全部品

- 規格認定コン : Capacitor (規格認定コン)
 (セ) : Ceramic Capacitor (セラミックコンデンサー)
 (マ) : Mylar Capacitor (マイラーコンデンサー)
- (フ) : Flame Proof C. Resistor (不燃化カーボン抵抗)
 (D) : Metal Film Resistor (金属被膜抵抗)
 酸金 : Metal Oxide Film Resistor (酸化金属被膜抵抗)

Table

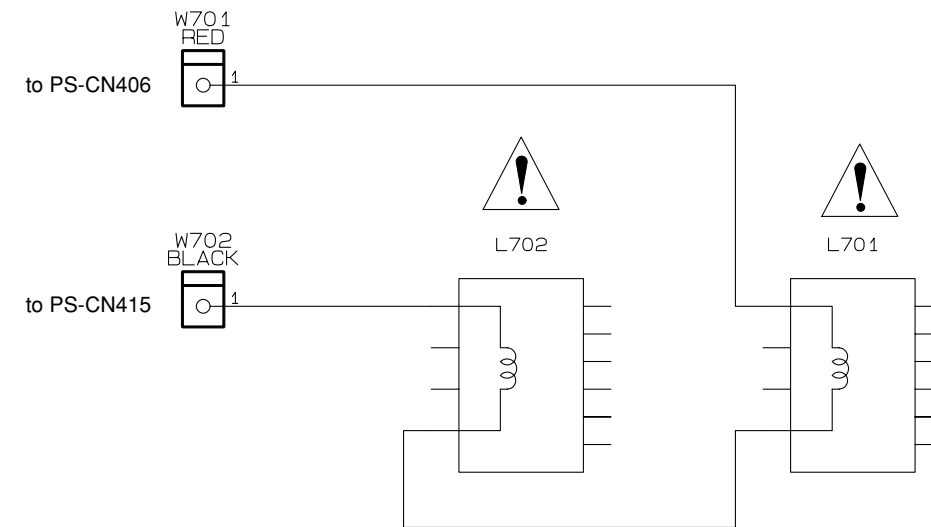
Model	Sheet	F401	T401	T402	J401 J402	J403 J404	J405	CN405 CN415	C418 C420	C419 C421	C425 C426	R475 R486	R485 R488
XP7000	PS70J	30A250V	X5642	X5636	-	-	-	-	3300u/180V	0.47 μ / 400V	-	-	-
	PS70U	25A250V	X5643	X5637	-	-	-	-	2200u/200V	0.39 μ / 400V	-	-	-
	PS70H	T10AH250V	X5644	X5638	-	-	-	-	2800u/200V	0.43 μ / 400V	-	-	-
	PS70A	T10AH250V	X5645	X5637	-	-	-	-	2800u/200V	0.39 μ / 400V	-	-	-
XP5000	PS50J	25A250V	X5642	X5639	-	-	-	-	2200u/200V	0.47 μ / 400V	-	-	-
	PS50U	20A250V	X5643	X5640	-	-	-	-	2800u/200V	0.39 μ / 400V	-	-	-
	PS50H	T10AH250V	X5644	X5641	-	-	-	-	2200u/200V	0.43 μ / 400V	-	-	-
	PS50A	T10AH250V	X5645	X5640	-	-	-	-	2200u/200V	0.39 μ / 400V	-	-	-

28CC1-200007701

■ COIL CIRCUIT DIAGRAM (XP7000/XP5000)

<J/H/B/K/O destinations only>

Note: See parts list for details of circuit board component parts.
注： シートの部品詳細はパーツリストをご参照ください。



Model	Sheet	L701 L702
XP7000 XP5000	COIL J	WC175800
	COIL H	V0076300

ATTENTION  MARK : IMPORTANCE SAFETY COMPONENTS
重要安全部品