

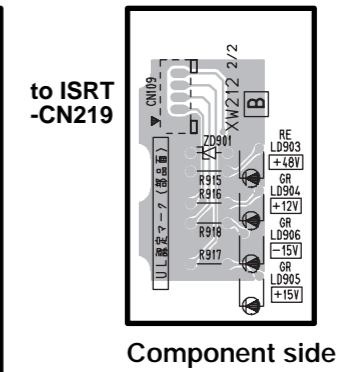
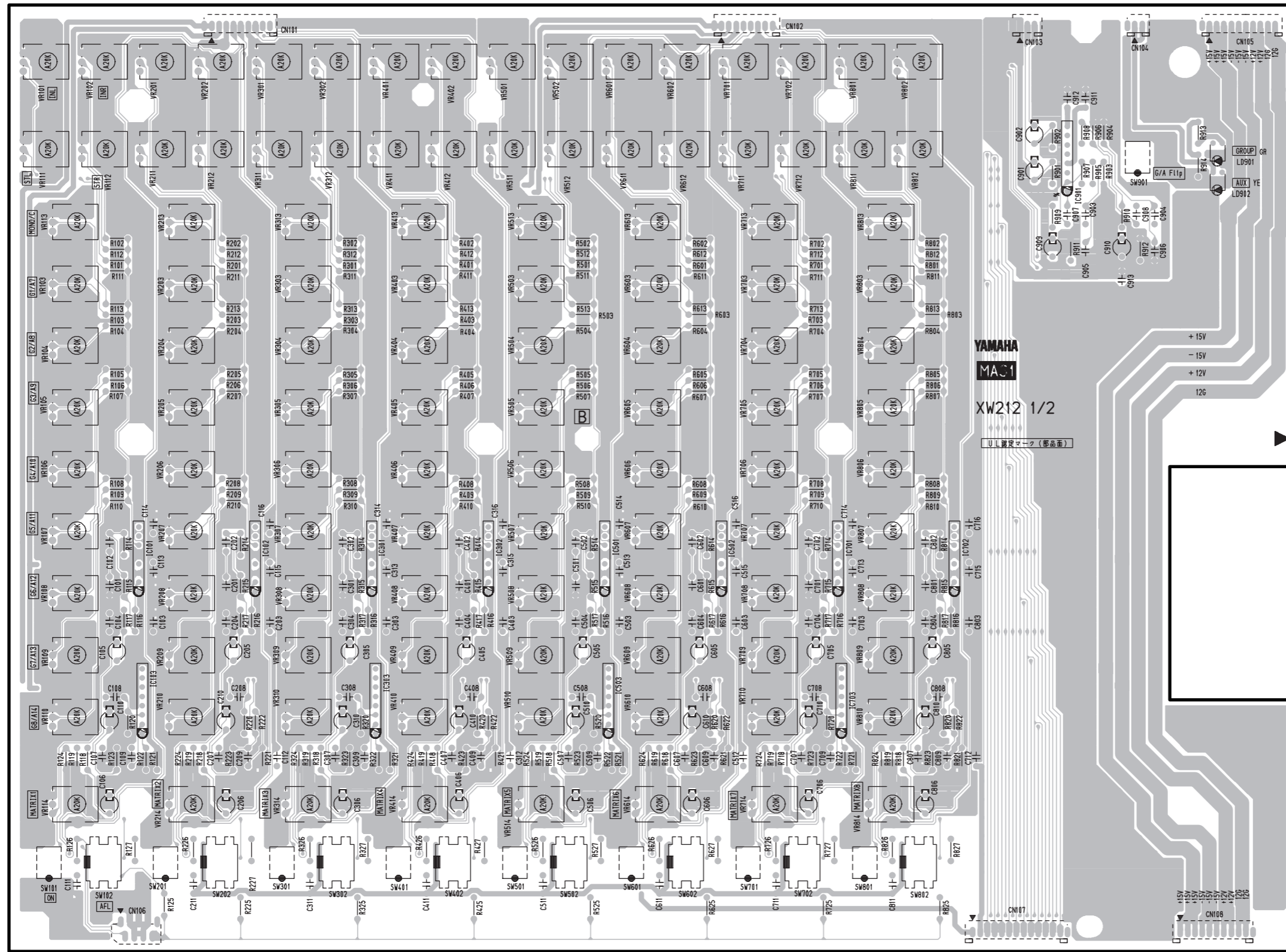
• MAS1 1/2 Circuit Board

to MASOUT-CN321

to MASOUT-CN321

to ISRT-CN111 to ISRT-CN102 to ISRT-CN217

• MAS1 2/2 Circuit Board



Component side

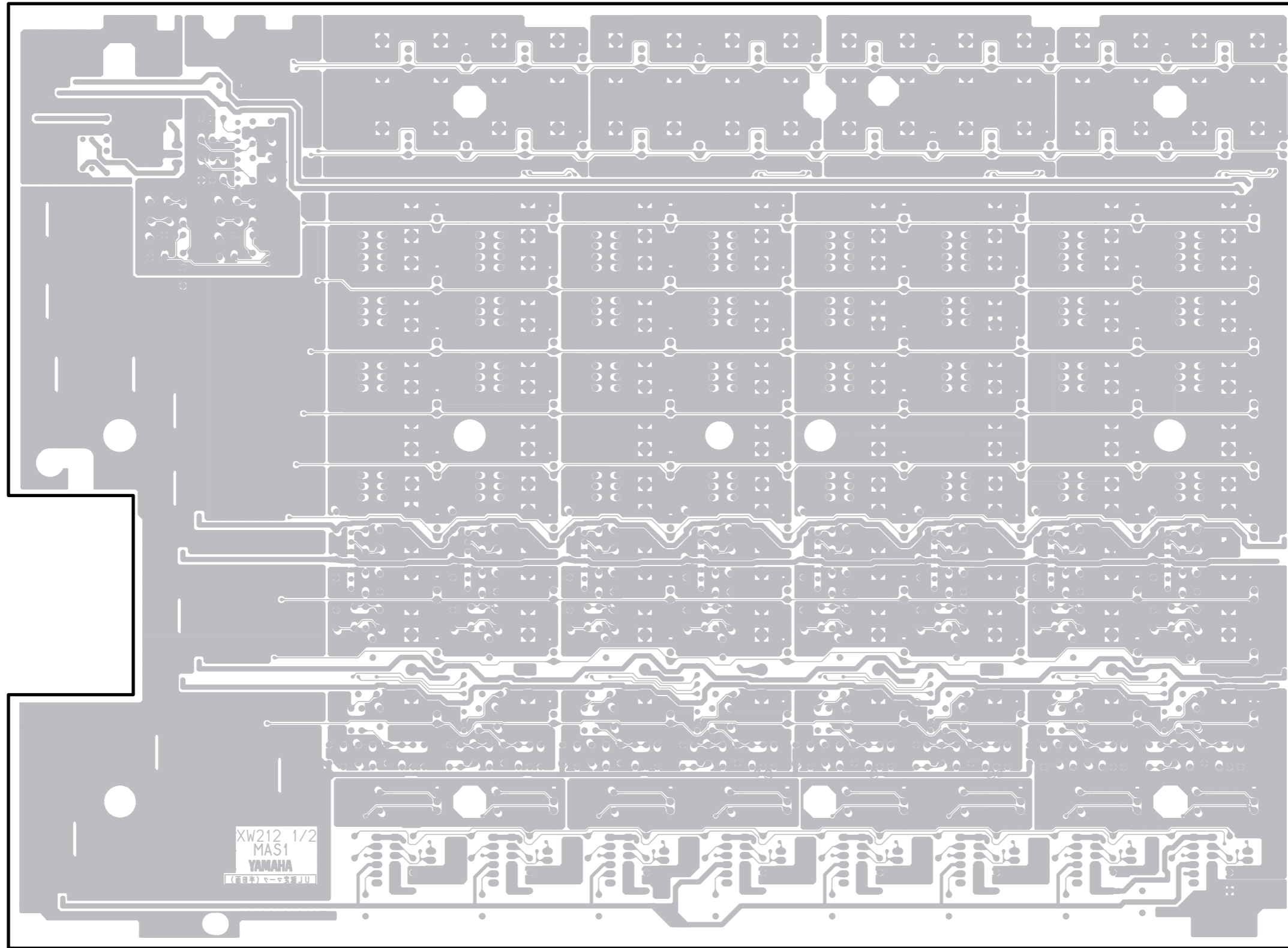
to MAS2-CN201

to MAS3-CN311

to MAS2-CN215

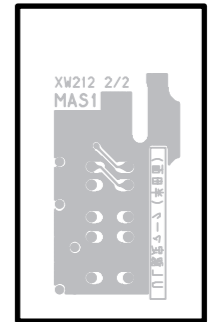
Component side

● MAS1 1/2 Circuit Board



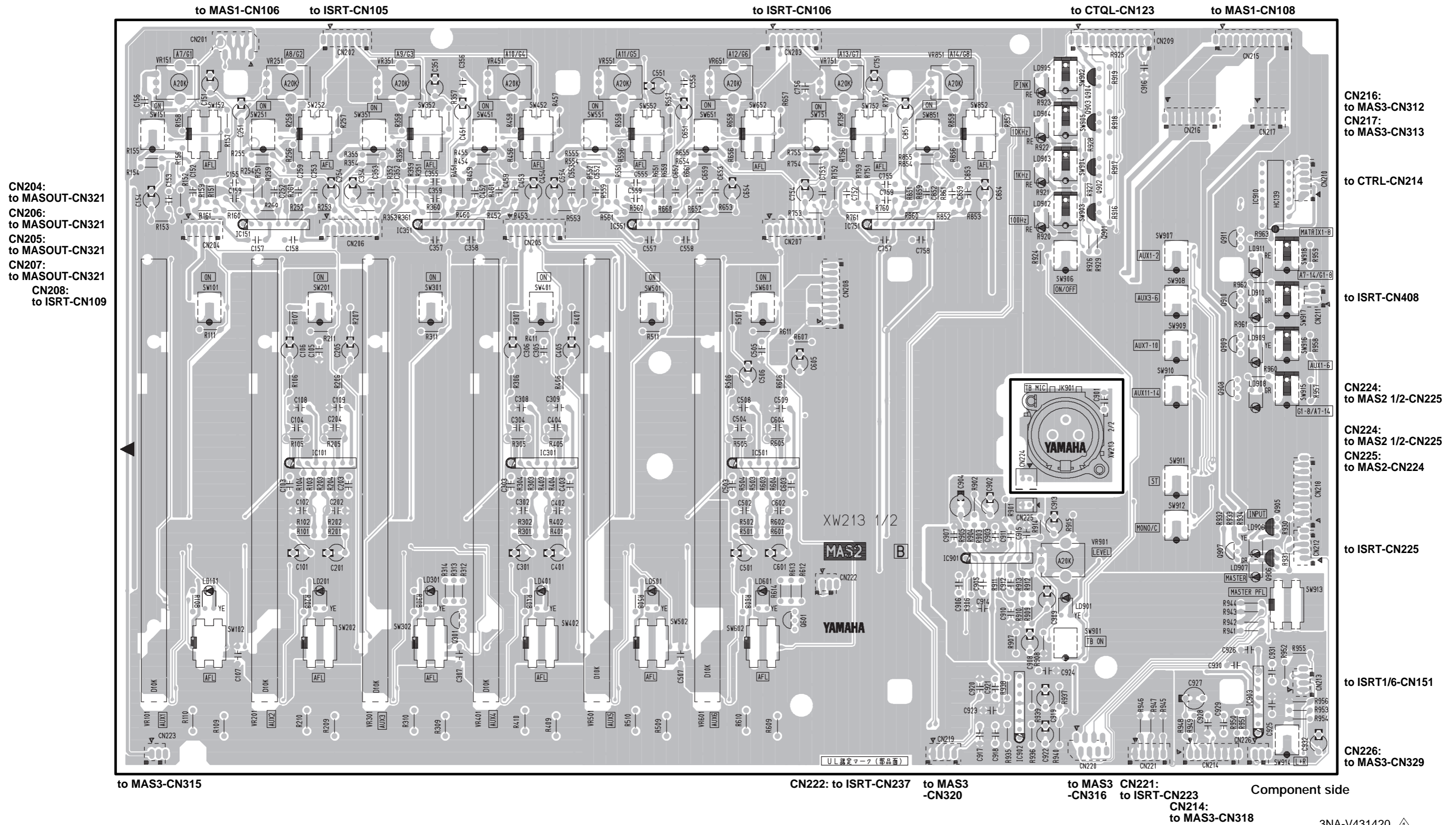
Pattern side

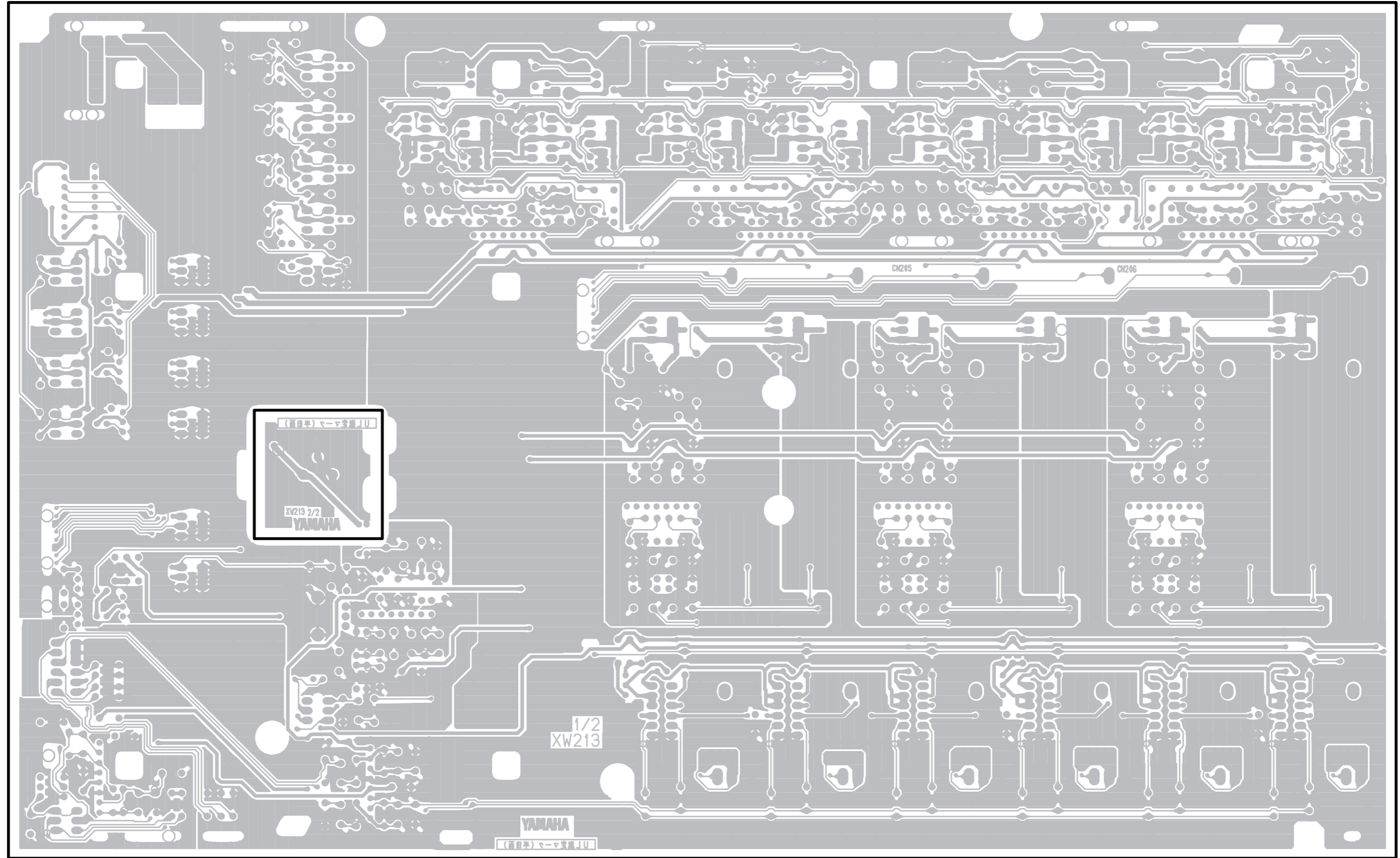
● MAS1 2/2 Circuit Board



Pattern side

● MAS2 1/2, 2/2 Circuit Board





Pattern side