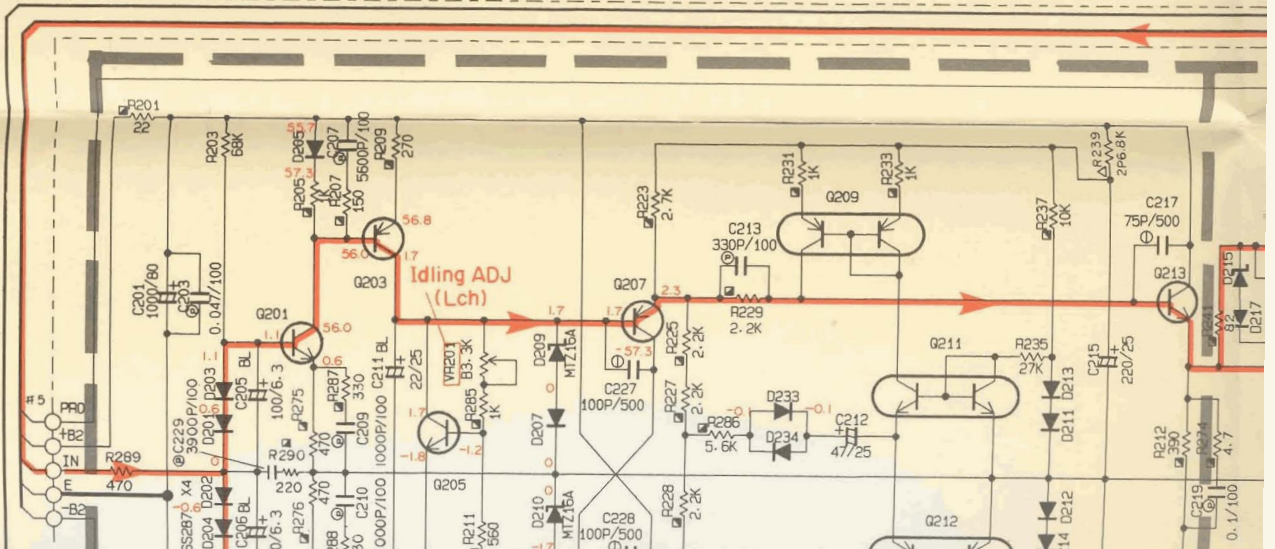
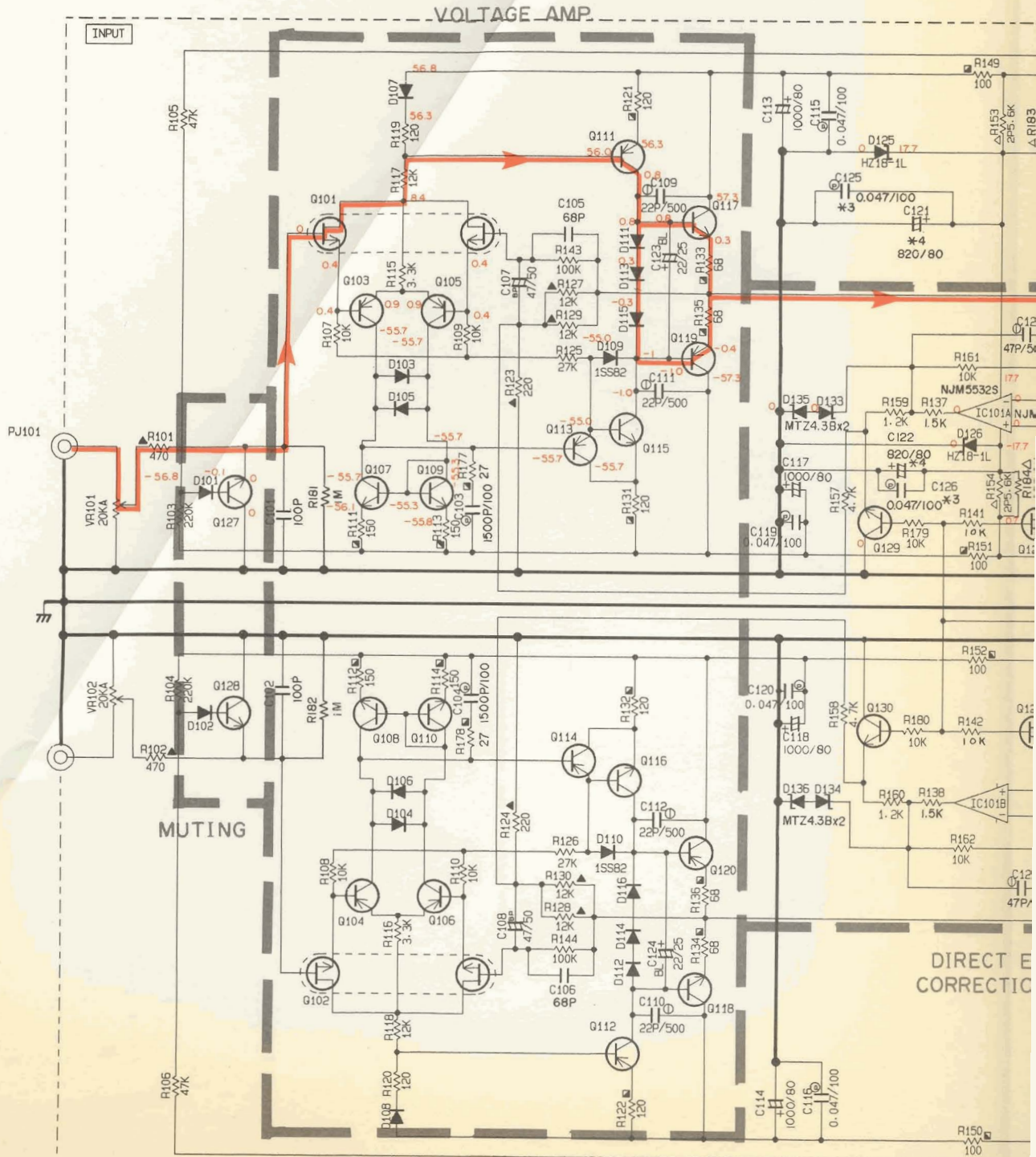
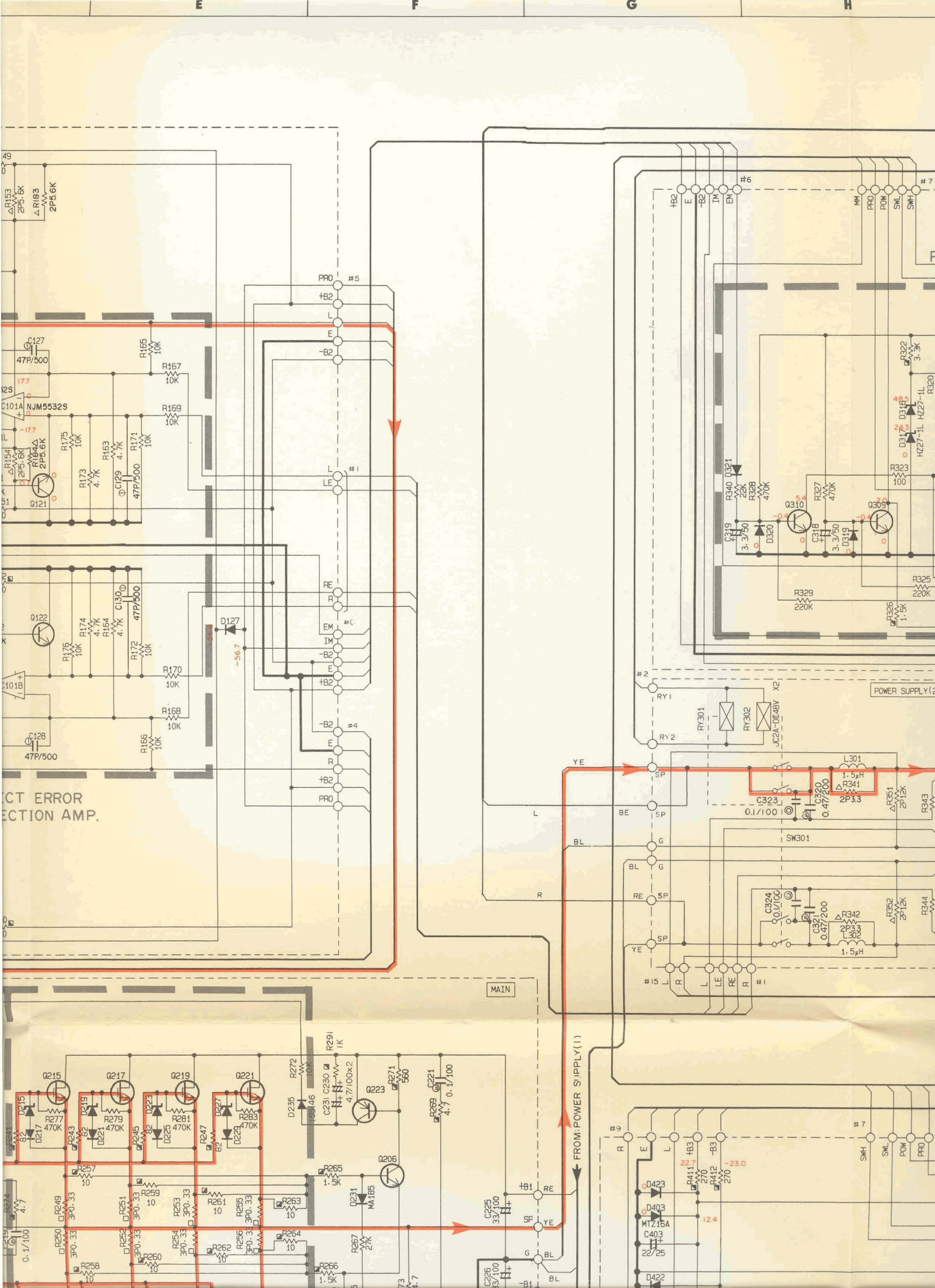


# SCHEMATIC DIAGRAM

1  
2  
3  
4  
5  
6

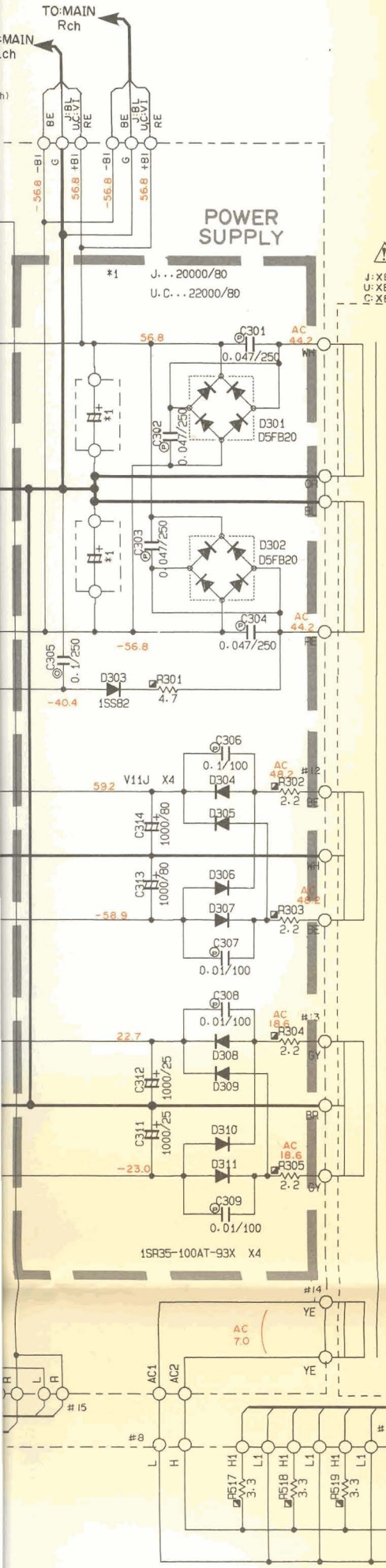












CAPACITOR

| REMARKS | PARTS NAME                       |   |
|---------|----------------------------------|---|
| NO MARK | ELECTROLYTIC CAPACITOR           | ⏏ |
| NO MARK | CERAMIC CAPACITOR                |   |
| ⊙       | POLYESTEL FILM CAPACITOR         |   |
| ○       | POLYSTYRENE FILM CAPACITOR       | ⏏ |
| ⊖       | MICA CAPACITOR                   |   |
| ⊕       | POLYPROPYLENE FILM CAPACITOR     |   |
| ⊗       | SEMICONDUCTIVE CERAMIC CAPACITOR |   |

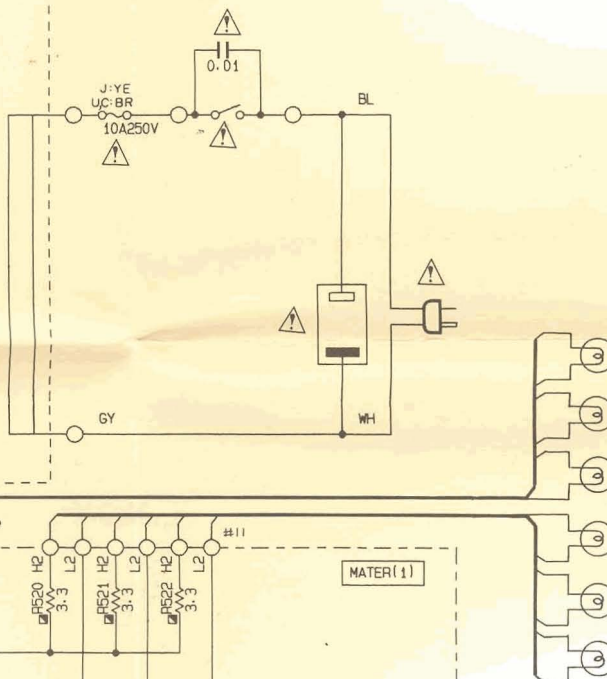
RESISTOR

| REMARKS | PARTS NAME                      |
|---------|---------------------------------|
| NO MARK | CARBON FILM RESISTOR (1/6W)     |
| ⊠       | CARBON FILM RESISTOR            |
| △       | METAL OXIDE FILM RESISTOR       |
| ▲       | METEL FILM RESISTOR             |
| ⊠       | METEL PLATE RESISTOR            |
| ⊠       | FIRE PROOF CARBON FILM RESISTOR |
| □       | SEMENT MOLDED RESISTOR          |
| ⊗       | SEMI VARIABLE RESISTOR          |
| ■       | CHIP RESISTOR                   |

NOTICE

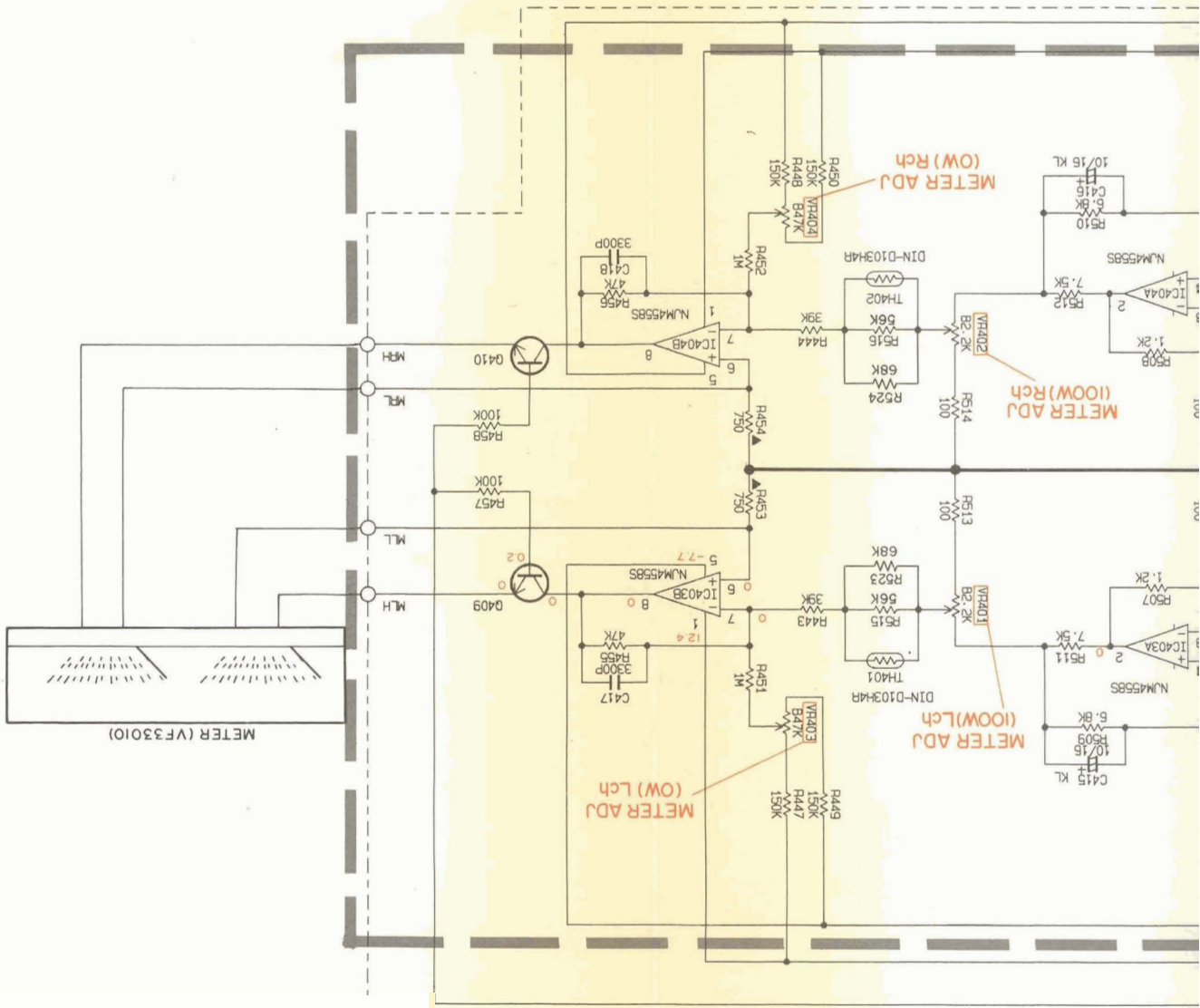
(U)..... U.S.A model  
 (C)..... Canadian model

|  |                  |
|--|------------------|
| Q103-106. 113. 114. 202<br>Q302. 305. 307. 311             | 2SA970(GR. BL)   |
| Q107-110. 306. 308-310                                     | 2SC1815(Y)       |
| Q121. 122. 127-130<br>Q405. 406. 409. 410                  | 2SC2878(A. B)    |
| Q111. 112. 119. 120. 203. 207<br>Q223                      | 2SA1145(O. Y)    |
| Q115-118. 303-304. 204. 206<br>Q208                        | 2SC2705(O. Y)    |
| Q101. 102  | 2SK389           |
| Q301. 312. 201. 205  | 2SC2240(GR. BL)  |
| Q209. 212  | 2SA1349(GR. BL)  |
| Q210. 211  | 2SC3381(GR. BL)  |
| Q214   | 2SA1306(O. Y)    |
| Q213   | 2SC3298(O. Y)    |
| Q215. 217. 219. 221  | 2SK405           |
| Q216. 218. 220. 222  | 2SJ115           |
| D101-108. 111-116. 129-136<br>D313. 314. 319-321. 322. 323 | 1S1555 or 1S2473 |



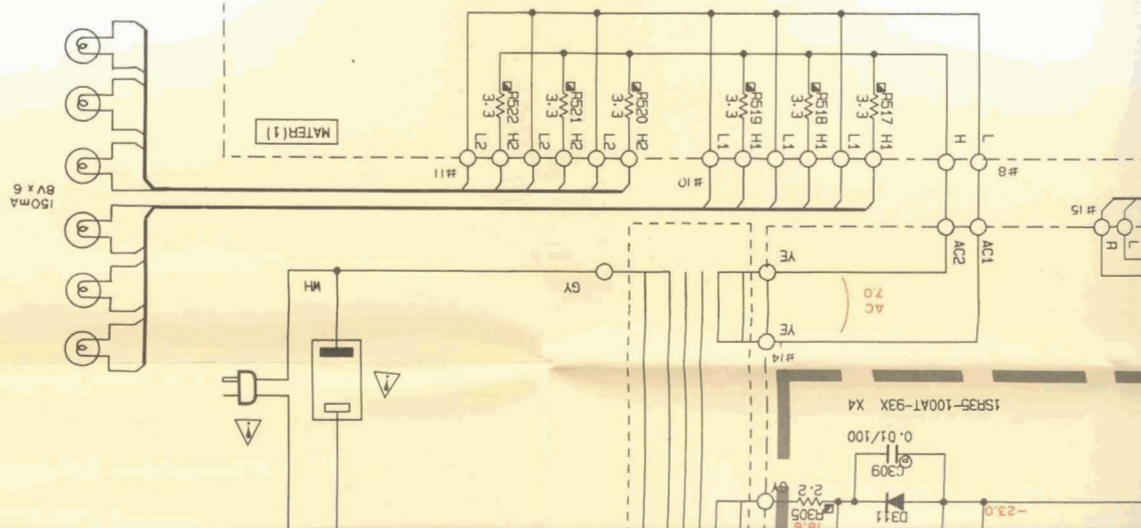


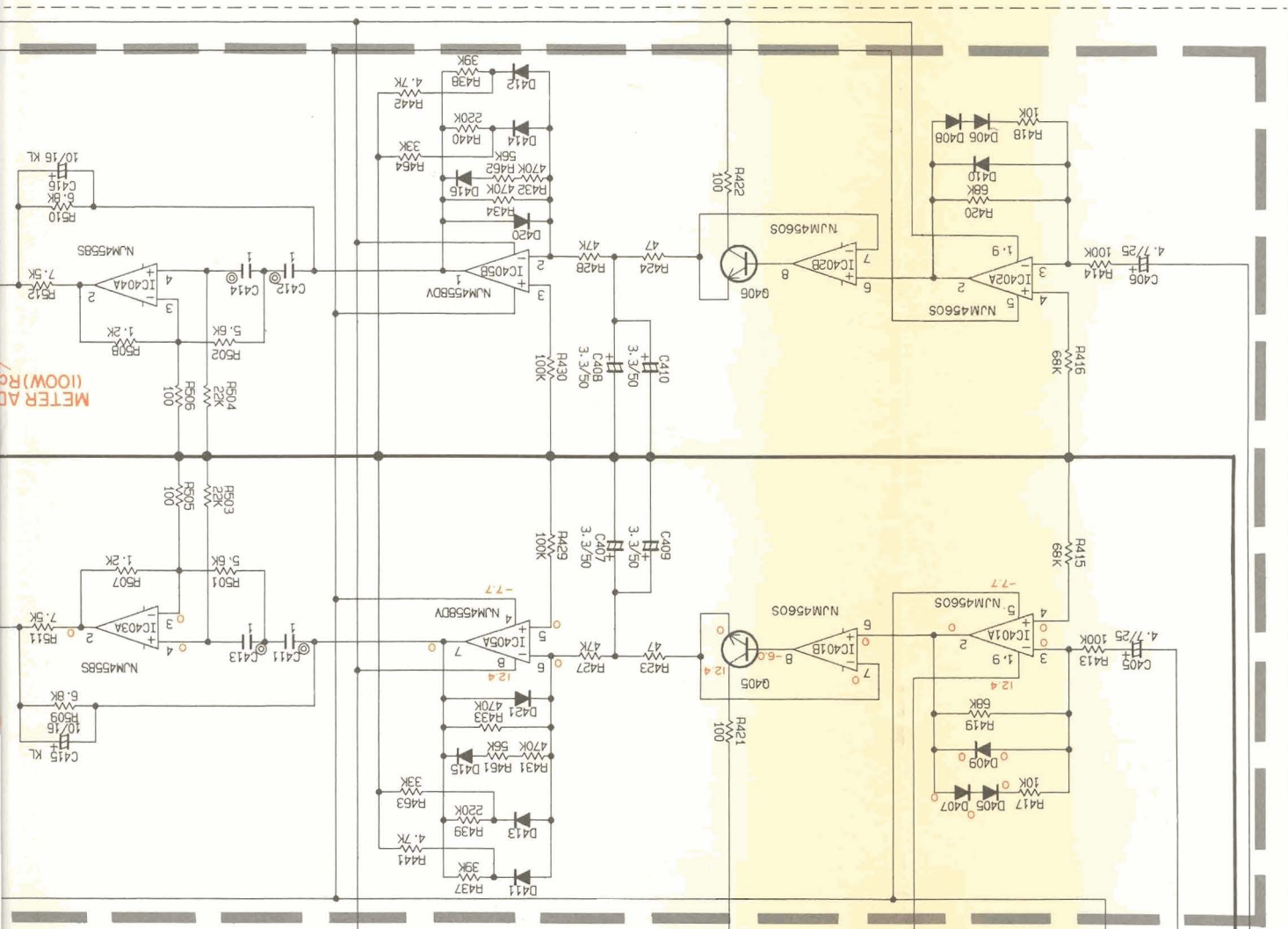
\* All voltages are measured with a 10MΩ/DC electric volt meter.  
 \* Components having special characteristics are marked with a triangle and must be replaced with parts having specifications equal to those originally installed.  
 \* Schematic diagram is subject to change without notice.



1S5133 or MA165 ... D405-416-420-423

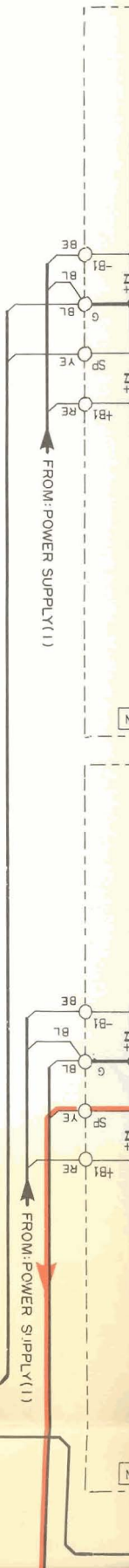
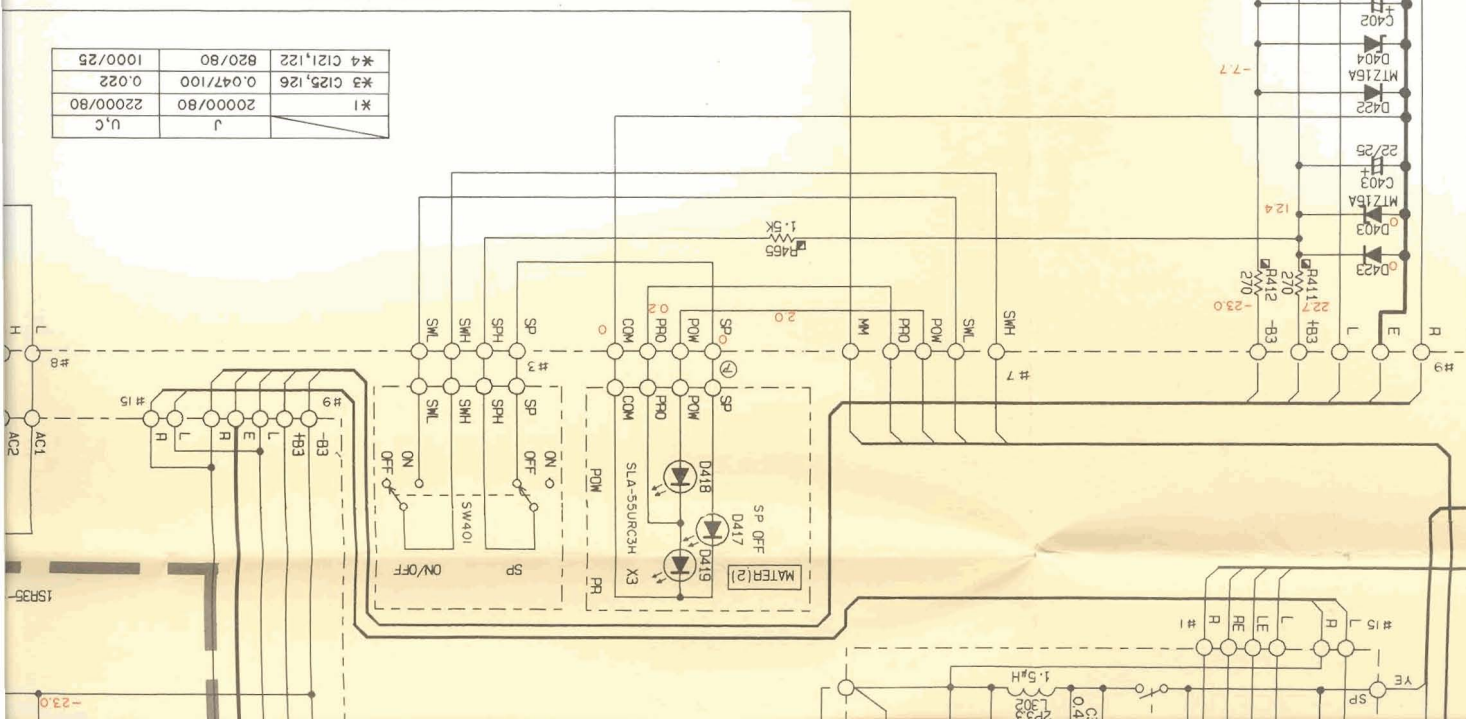
|      |          |       |         |
|------|----------|-------|---------|
| U.C. | 22000/80 | 0.022 | 1000/25 |
|------|----------|-------|---------|



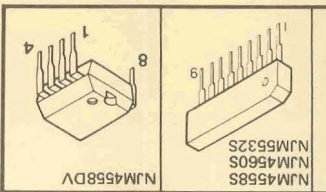


METER DRIVE

|    |           |           |          |     |
|----|-----------|-----------|----------|-----|
| *1 | J         | 20000/80  | 22000/80 | U.C |
| *3 | C125, 126 | 0.047/100 | 0.022    |     |
| *4 | C121, 122 | 820/80    | 1000/25  |     |







MOS FET  
POWER STAGE

