

# ANALOG OUTPUT BOX

# AO8

## SERVICE MANUAL



### • AO8-DA8

#### ■ CONTENTS

REVISED PAGE LIST .....	2-1
SPECIFICATIONS .....	3-1
PANEL LAYOUT .....	3-2
DIMENSIONS .....	3-3
CONNECTOR CIRCUIT DIAGRAM .....	4
BLOCK DIAGRAM .....	6
DISASSEMBLY PROCEDURE .....	7
LSI PIN DESCRIPTION .....	11
IC BLOCK DIAGRAM .....	14
CIRCUIT BOARDS .....	15
INSPECTION .....	20
TEST PROGRAM .....	22
ERROR MESSAGES .....	27
PARTS LIST	
CIRCUIT DIAGRAM	

## ■ REVISED PAGE LIST

ITEM	PAGE
SPECIFICATIONS	3-1
PANEL LAYOUT	3-2
DIMENSIONS	3-3
CONNECTOR CIRCUIT DIAGRAM	5
INSPECTION	20~21
TEST PROGRAM	22~26
ERROR MESSAGES	27

### <PARTS LIST>

ITEM	PAGE
OVERALL ASSEMBLY	3, 4
SIDE PANEL ASSEMBLY	5
MOTHER ASSEMBLY	6
ELECTRICAL PARTS	7~10

### <CIRCUIT DIAGRAM>

ITEM	PAGE
IFC3 CIRCUIT DIAGRAM 002	9
003	10
004	11
005	12
006	13
007	14
IPC2 CIRCUIT DIAGRAM	15
AOCOM CIRCUIT DIAGRAM 002	18
003	19

### IMPORTANT NOTICE

This manual has been provided for the use of authorized Yamaha Retailers and their service personnel. It has been assumed that basic service procedures inherent to the industry, and more specifically Yamaha Products, are already known and understood by the users, and have therefore not been restated.

**WARNING:** Failure to follow appropriate service and safety procedures when servicing this product may result in personal injury, destruction of expensive components and failure of the product to perform as specified. For these reasons, we advise all Yamaha product owners that all service required should be performed by an authorized Yamaha Retailer or the appointed service representative.

**IMPORTANT:** This presentation or sale of this manual to any individual or firm does not constitute authorization, certification, recognition of any applicable technical capabilities, or establish a principal-agent relationship of any form.

The data provided is believed to be accurate and applicable to the unit(s) indicated on the cover. The research engineering, and service departments of Yamaha are continually striving to improve Yamaha products. Modifications are, therefore, inevitable and changes in specification are subject to change without notice or obligation to retrofit. Should any discrepancy appear to exist, please contact the distributor's Service Division.

**WARNING:** Static discharges can destroy expensive components. Discharge any static electricity your body may have accumulated by grounding yourself to the ground bus in the unit (heavy gauge black wires connect to this bus).

**IMPORTANT:** Turn the unit OFF during disassembly and parts replacement. Recheck all work before you apply power to the unit.

### WARNING: CHEMICAL CONTENT NOTICE!

The solder used in the production of this product contains LEAD. In addition, other electrical/electronic and/or plastic (where applicable) components may also contain traces of chemicals found by the California Health and Welfare Agency (and possibly other entities) to cause cancer and/or birth defects or other reproductive harm.

**DO NOT PLACE SOLDER, ELECTRICAL/ELECTRONIC OR PLASTIC COMPONENTS IN YOUR MOUTH FOR ANY REASON WHAT SO EVER!**

Avoid prolonged, unprotected contact between solder and your skin! When soldering, do not inhale solder fumes or expose eyes to solder/flux vapor!

If you come in contact with solder or components located inside the enclosure of this product, wash your hands before handling food.

### IMPORTANT NOTICE FOR THE UNITED KINGDOM

#### Connecting the Plug and Cord

**IMPORTANT.** The wires in this main lead are coloured in accordance with the following code:

BLUE: NEUTRAL  
BROWN: LIVE


As the colours of the wires in the main lead of this apparatus may not correspond with the coloured markings identifying the terminals in your plug, proceed as follows:

The BLUE wire must be connected to the terminal that is marked with the letter N (or coloured BLACK).

The BROWN wire must be connected to the terminal that is marked with the letter L (or coloured RED).

Be certain that neither core is connected to the earth terminal of the three pin plug.

### ■ WARNING

Components having special characteristics are marked  and must be replaced with parts having specification equal to those originally installed.

## ■ SPECIFICATIONS

<b>Sampling frequency (external sync)</b>	39.69 kHz – 50.88 kHz
<b>Power supply</b>	USA and Canada: 120 V, 60 Hz
	Others: 230 V, 50 Hz
<b>Power consumption</b>	120 W
<b>Dimensions (W x H x D)</b>	480 mm x 141.5 mm x 466.8 mm
<b>Weight</b>	15.4 kg
<b>Operating temperature</b>	10 – 35 °C
<b>Power cable length</b>	2.1 m
<b>Cooling fan speed</b>	always fixed
<b>Accessories</b>	Connection cable (68-pin, D-sub, half-pitch) x 1, Length: 3 m

### Digital I/Os

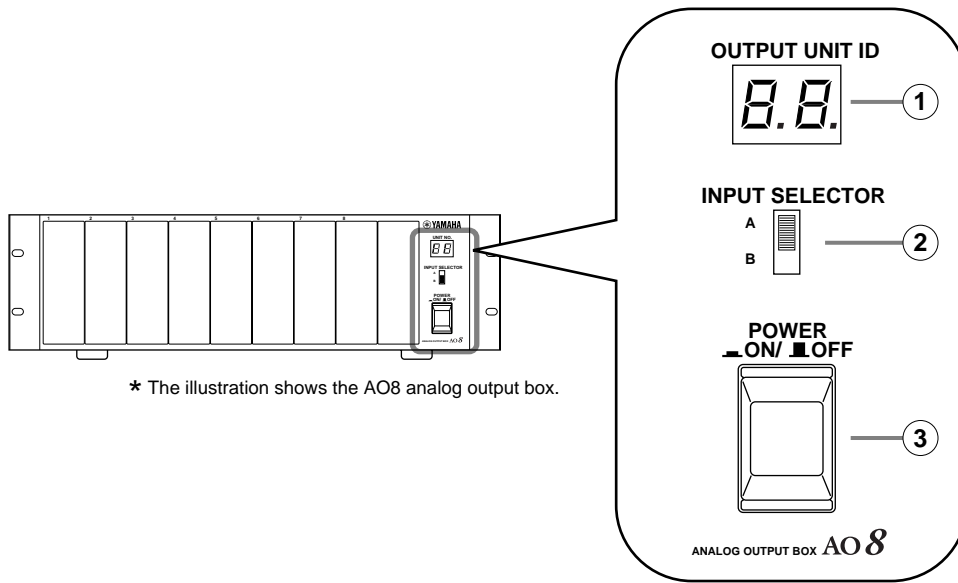
I/O connectors	Level	Type
INPUT A, B, C	RS-422	D-sub, half-pitch, 68-pin connector (female)
WORD CLOCK IN	TTL/75 Ω (ON/OFF)	BNC Connector
WORD CLOCK OUT	TTL/75 Ω	BNC Connector

### Slots

Card	Input
LMY4-AD	Channel 1 – 4

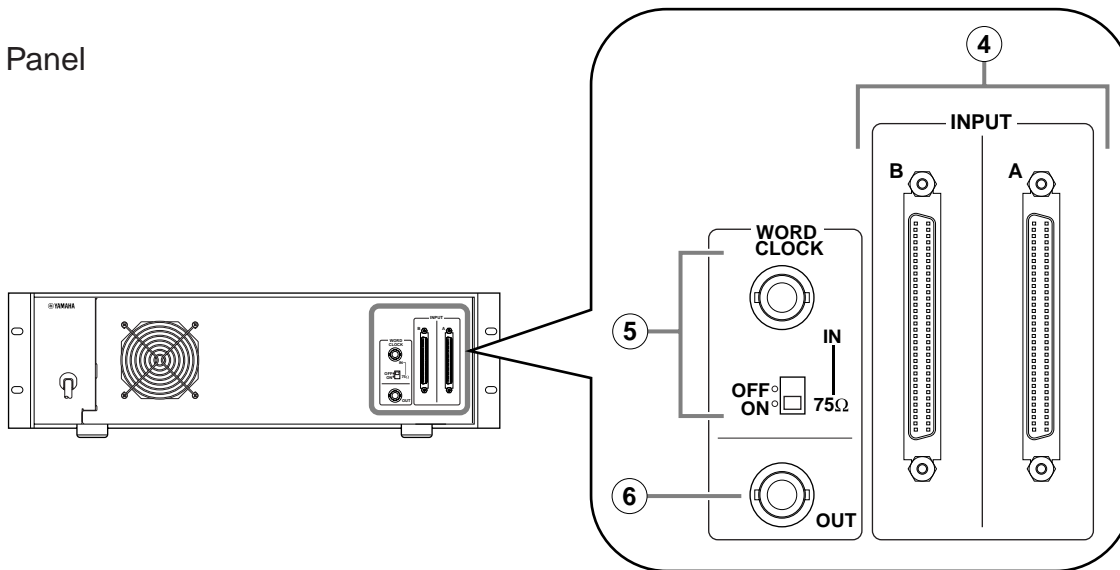
## ■ PANEL LAYOUT

### ● Front Panel



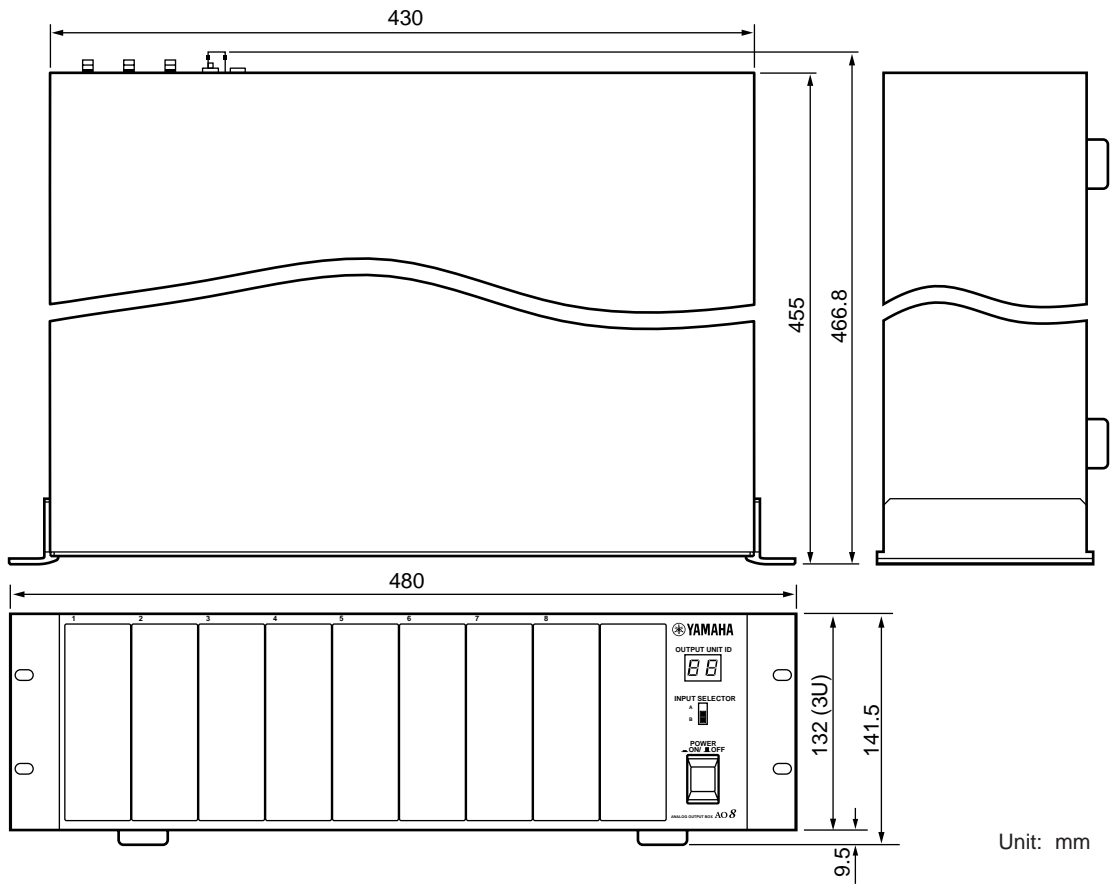
- ① OUTPUT UNIT ID indicator
- ② INPUT SELECTOR switch
- ③ POWER ON/OFF

### ● Rear Panel



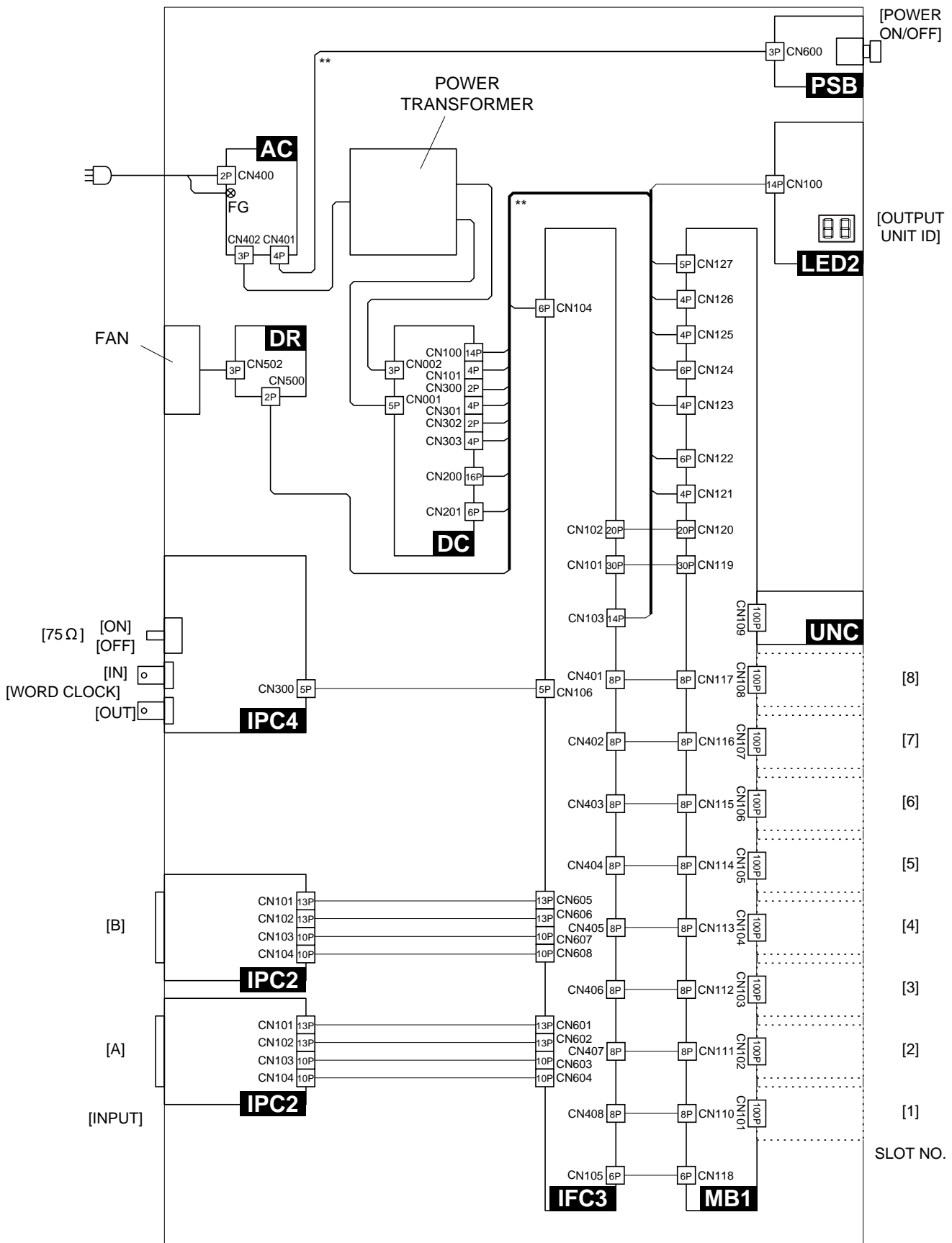
- ④ INPUT connectors A and B
- ⑤ WORD CLOCK IN jack, ON/OFF switch
- ⑥ WORD CLOCK OUT jack

# DIMENSIONS

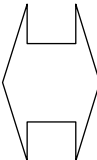


Unit: mm

# CONNECTOR CIRCUIT DIAGRAM

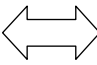


Circuit Board	CN No.	Pin No.
DC	CN100	1
		2
		3
		4
		5
		6
		7
		8
		9
		10
		11
		12
		13
		14
DC	CN101	1
		2
		3
DC	CN200	1
		2
		3
		4
		5
		6
DC	CN201	1
		2
		3
DC	CN300	1
		2
DC	CN301	1
		2
		3
		4
DC	CN302	2
DC	CN303	1
		2
IFC3	CN103	1
		2
		3
		4
		5
		6
		7
		8
		9
		10
		11
		12
		13
		14



Circuit Board	CN No.	Pin No.
MB1	CN122	4
		3
MB1	CN124	4
		3
MB1	CN127	5
IFC3	CN104	1
		2
MB1	CN122	2
		1
MB1	CN124	2
		1
MB1	CN127	3
IFC3	CN104	3
		4
MB1	CN127	4
IFC3	CN104	5
		6
MB1	CN121	4
MB1	CN123	4
MB1	CN125	4
MB1	CN121	1
MB1	CN123	1
MB1	CN125	1
MB1	CN121	2
MB1	CN123	2
MB1	CN125	2
DR	CN500	1
		2
MB1	CN122	6
MB1	CN124	6
MB1	CN126	2
		1
MB1	CN127	1
MB1	CN122	5
MB1	CN124	5
LED1	CN100	1
		2
		3
		4
		5
		6
		7
		8
		9
		10
		11
		12
		13
		14

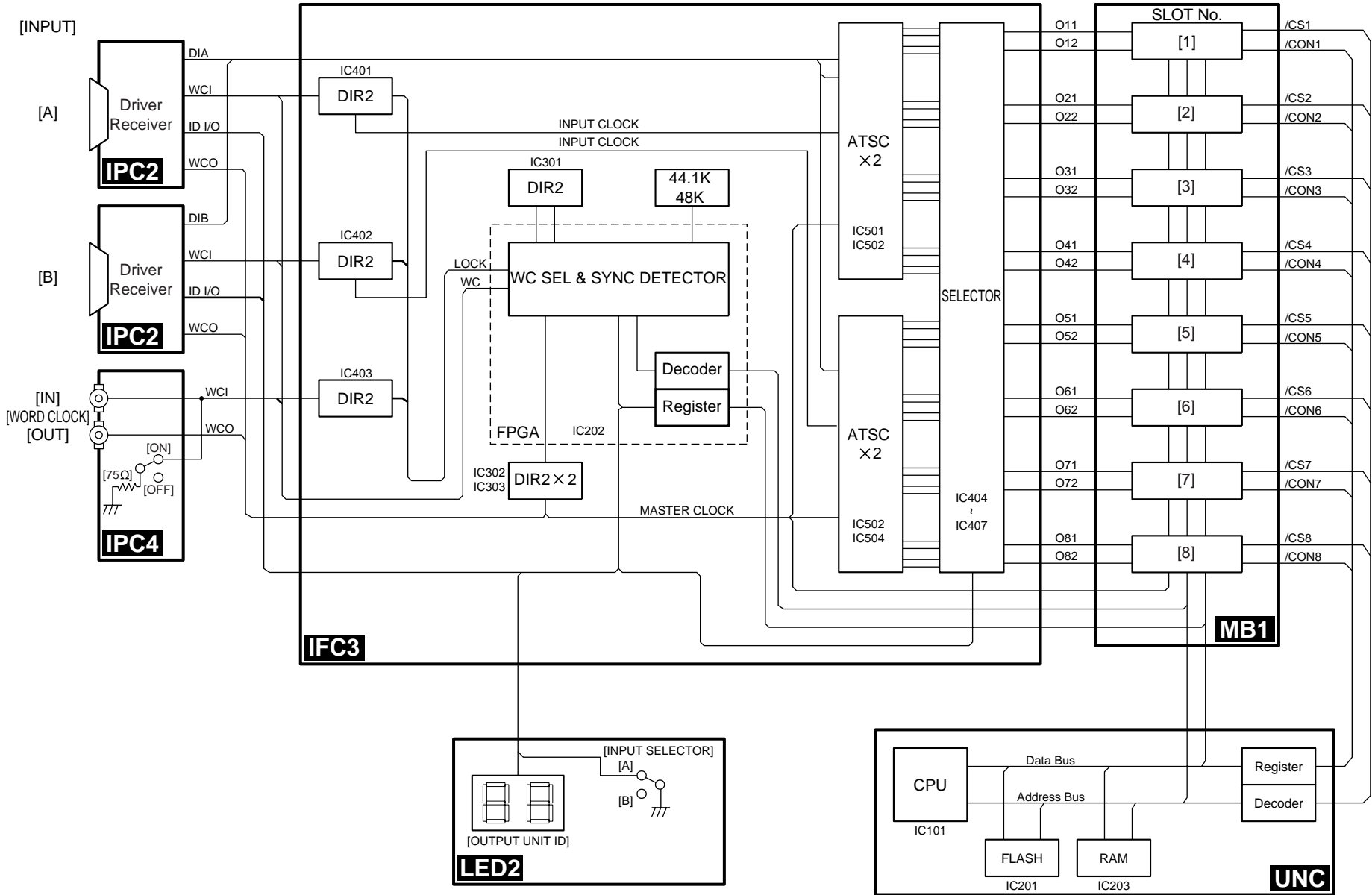
AC	CN701	1
		4



PSB	CN600	1
		3



■ BLOCK DIAGRAM



## ■ DISASSEMBLY PROCEDURE

### 1. UNC Card Assembly

- 1-1 Remove the four (4) screws marked [470]. The UNC card assembly can then be removed. (Fig. 1)

### 2. Front Panel Assembly

- 2-1 Remove the UNC card assembly. (See Procedure 1.)  
 2-2 Remove the thirty-two (32) screws marked [500]. The blank panel can then be removed. (Fig. 1)  
 2-3 Remove the six (6) screws marked [450]. Each mount bracket can then be removed. (Fig. 1)  
 2-4 Remove the six (6) screws marked [400]. The front panel assembly can then be removed. (Fig. 1)

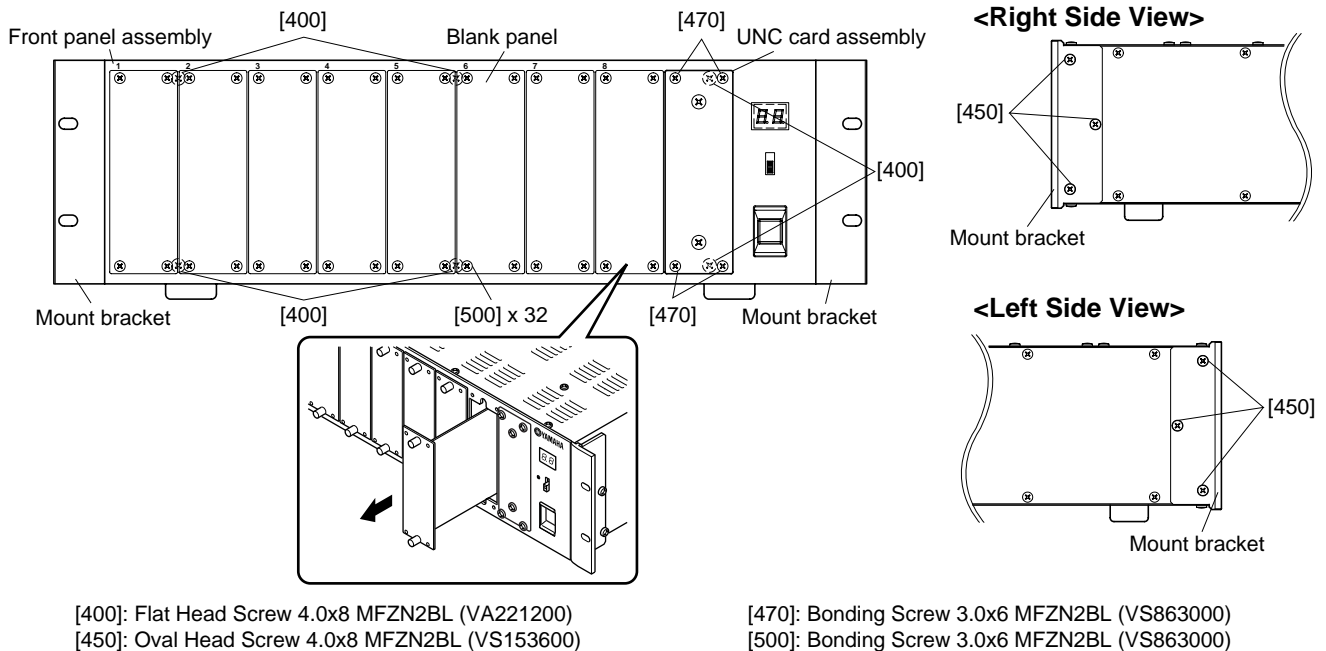


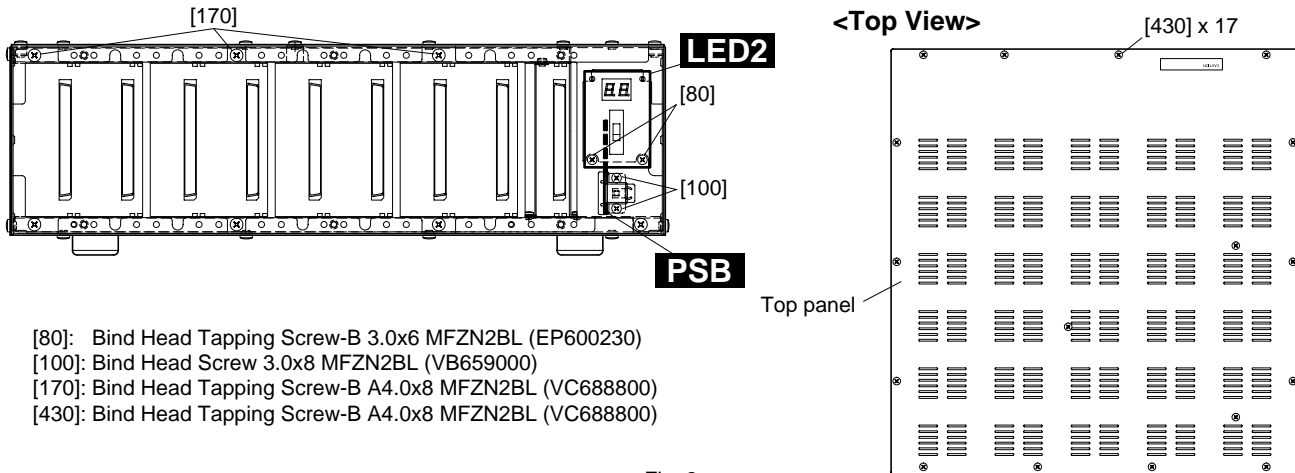
Fig. 1

### 3. LED2 Circuit Board

- 3-1 Remove the front panel assembly. (See Procedure 2.)  
 3-2 Remove the two (2) screws marked [80]. The LED2 circuit board can then be removed. (Fig. 2)

### 4. PSB Circuit Board

- 4-1 Remove the UNC card assembly. (See Procedure 1.)  
 4-2 Remove the front panel assembly. (See Procedure 2.)  
 4-3 Remove the seventeen (17) screws marked [430]. The top panel can then be removed. (Fig. 2)  
 4-4 Remove the two (2) screws marked [100]. The PSB circuit board can then be removed. (Fig. 2)



- [80]: Bind Head Tapping Screw-B 3.0x6 MFZN2BL (EP600230)
- [100]: Bind Head Screw 3.0x8 MFZN2BL (VB659000)
- [170]: Bind Head Tapping Screw-B A4.0x8 MFZN2BL (VC688800)
- [430]: Bind Head Tapping Screw-B A4.0x8 MFZN2BL (VC688800)

Fig. 2

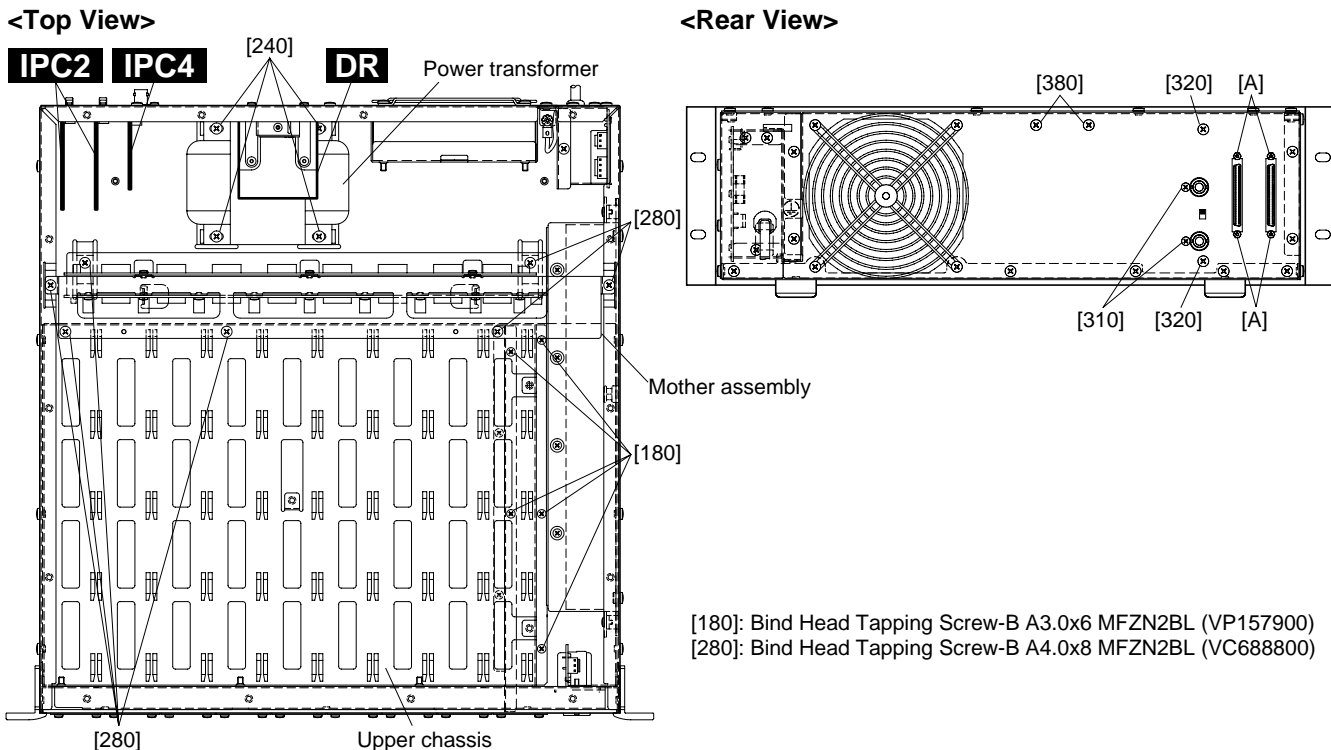
### 5. Circuit Boards and Units

Remove the top panel, each circuit board and unit can then be removed. (Fig. 3)

Circuit Board and Unit	Ref. No.	Screw	QTY
IPC2	A	Screw	2
IPC4	310	Bonding Screw 3.0x6 MFZN2BL (VS863000)	2
	320	Bind Head Screw A4.0x6 MFZN2BL (EG340290)	2
DR	380	Bonding Tapping Screw-B (VN413300)	2
Power Transformer	240	Bonding Tapping Screw-B (VC688800)	4

### 6. Mother Assembly

- 6-1 Remove the UNC card assembly. (See Procedure 1.)
- 6-2 Remove the front panel assembly. (See Procedure 2.)
- 6-3 Remove the top panel. (See Procedure 4-3.)
- 6-4 Remove the seven (7) screws marked [280]. The mother assembly can then be removed. (Fig. 3)



- [180]: Bind Head Tapping Screw-B A3.0x6 MFZN2BL (VP157900)
- [280]: Bind Head Tapping Screw-B A4.0x8 MFZN2BL (VC688800)

Fig. 3

**7. MB1 Circuit Board**

- 7-1 Remove the mother assembly. (See Procedure 6.)
- 7-2 Remove the nine (9) screws marked [30] and the five (5) screws marked [50]. The MB1 circuit board can then be removed. (Fig. 4)

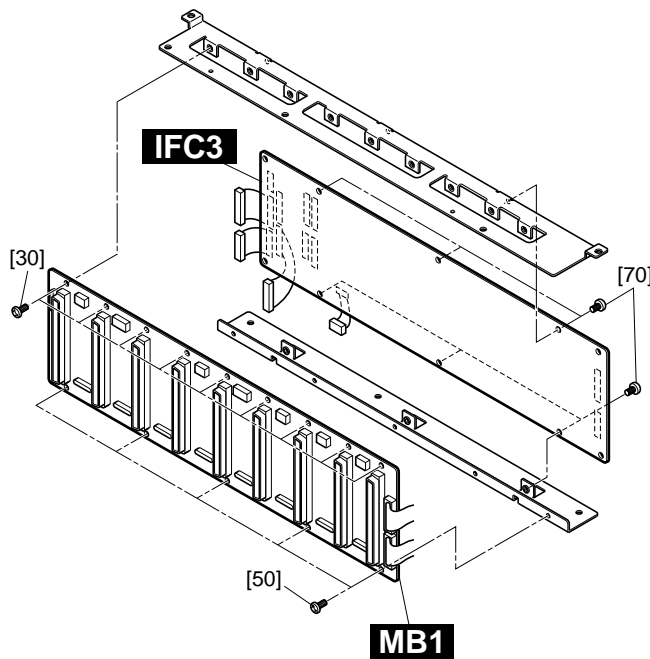
**8. IFC3 Circuit Board**

- 8-1 Remove the mother assembly. (See Procedure 6.)
- 8-2 Remove the six (6) screws marked [70]. The IFC3 circuit board can then be removed. (Fig. 4)

**9. Side Panel Assembly**

- 9-1 Remove the UNC card assembly. (See Procedure 1.)
- 9-2 Remove the front panel assembly. (See Procedure 2.)
- 9-3 Remove the top panel. (See Procedure 4-3.)
- 9-4 Remove the mother assembly. (See Procedure 6.)
- 9-5 Remove the six (6) screws marked [450]. Each mount bracket can then be removed. (Fig. 5)
- 9-6 Remove the seven (7) screws marked [200]. The side panel (L) can then be removed.
- 9-7 Remove the three (3) screws marked [170] and the five (5) screws marked [180]. The upper chassis can then be removed. (Fig. 2, Fig. 3)
- 9-8 Remove the seven (7) screws marked [260]. The side panel assembly can then be removed. (Fig. 5)

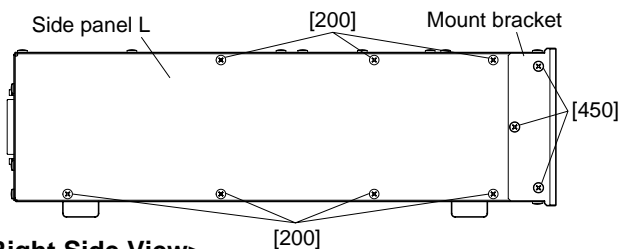
**• Mother Assembly**



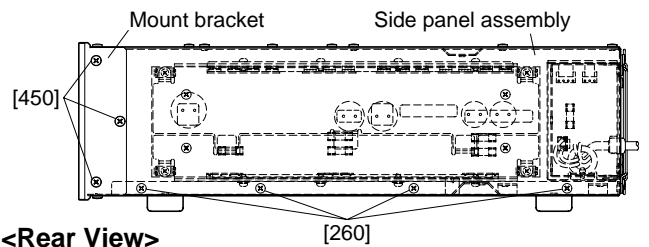
- [30]: Bind Head Tapping Screw-B 3.0x6 MFZN2BL (EP600230)
- [50]: Bind Head Tapping Screw-B 3.0x6 MFZN2BL (EP600230)
- [70]: Bind Head Tapping Screw-B 3.0x6 MFZN2BL (EP600230)

Fig. 4

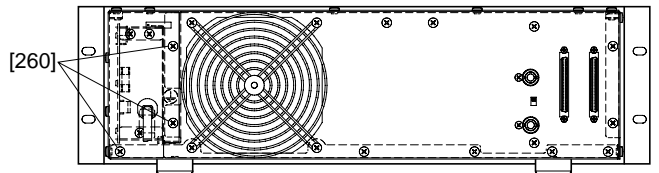
**<Left Side View>**



**<Right Side View>**



**<Rear View>**



- [200]: Bind Head Tapping Screw-B A4.0x8 MFZN2BL (VC688800)
- [260]: Bind Head Tapping Screw-B A4.0x8 MFZN2BL (VC688800)
- [450]: Oval Head Screw 4.0x8 MFZN2BL (VS153600)

Fig. 5

**10. AC Assembly**

- 10-1 Remove the side panel assembly. (See Procedure 9.)
- 10-2 Remove the three (3) screws marked [90]. The AC assembly can then be removed. (Fig. 6)

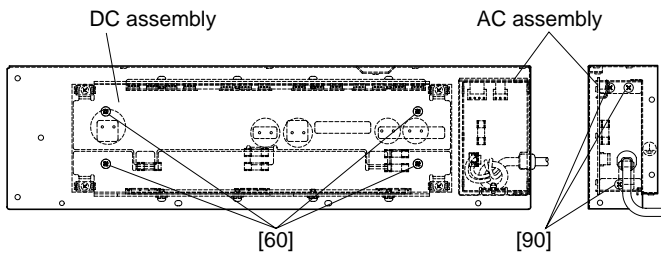
**11. DC Assembly**

- 11-1 Remove the side panel assembly. (See Procedure 9.)
- 11-2 Remove the four (4) screws marked [60]. The DC assembly can then be removed. (Fig. 6)

**12. DC Circuit Board**

- 12-1 Remove the side panel assembly. (See Procedure 9.)
- 12-2 Remove the DC assembly. (See Procedure 11.)
- 12-3 Remove the four (4) screws marked [D60]. The TR holder can then be removed. (Fig. 7)
- 12-4 Remove the three (3) screws marked [D80]. The BR holder can then be removed. (Fig. 7)
- 12-5 Remove the five (5) screws marked [D90]. The DC circuit board can then be removed. (Fig. 7)

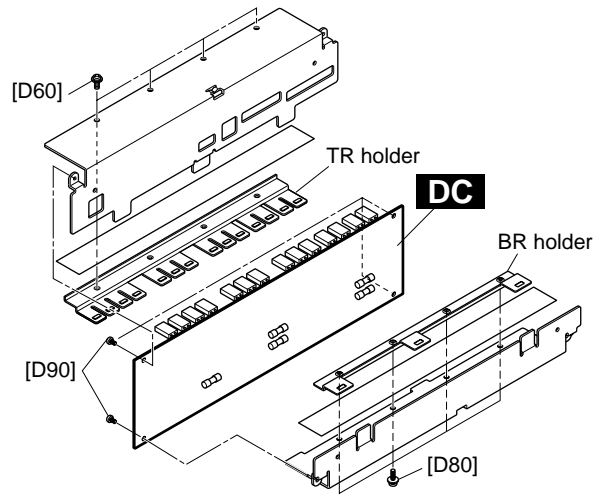
• Side Panel Assembly



[60]: Bind Head Screw A4.0x6 MFZN2BL (EG340290)  
 [90]: Bind Head Tapping Screw-B A4.0x8 MFZN2BL (VC688800)

Fig. 6

• DC Assembly



[D60]: Pan Head Screw SP4.0x8 MFZN2Y (EL200020)  
 [D80]: Pan Head Screw SP4.0x8 MFZN2Y (EL200020)  
 [D90]: Bind Head Tapping Screw-B 3.0x6 MFZN2BL (EP600230)

Fig. 7

# LSI PIN DESCRIPTION

## SGH609080F-47F (XU235A00) ATSC

IFC3: IC501-504

PIN NO.	NAME	I/O	FUNCTION	PIN NO.	NAME	I/O	FUNCTION																					
1	syncati	I	Synch. word input terminal for ati, siat3-0 input	41	synci	I	Synch. word input terminal for si3-0 input																					
2	mccti	I	64 fs clock input terminal for ati, siat3-0 input	42	mcci	I	64 fs clock input terminal for si3-0 input																					
3	mcbti	I	128 fs clock input terminal for ati, siat3-0 input	43	mcbi	I	128 fs clock input terminal for si3-0 input																					
4	VCC		Power supply (+5 V)	44	VCC		Power supply (+5 V)																					
5	GND		Ground	45	GND		Ground																					
6	mcati	I	256 fs clock input terminal for ati, siat3-0 input	46	mcai	I	256 fs clock input terminal for si3-0 input																					
7	GND		Ground	47	GND		Ground																					
8	siat0	I	Serial data input terminal	48	si0	I	Serial data input terminal																					
9	siat1	I																										
10	siat2	I																										
11	siat3	I																										
12	ati	I	Optical input terminal	52	GND		Ground																					
13	GND		Ground	53	so3	O	Serial data output terminal																					
14	ato	O	Optical output terminal	54	so2	O																						
15	soat3	O	Serial data output terminal	55	so1	O																						
16	soat2	O																										
17	soat1	O																										
18	soat0	O																										
19	VCC		Power supply (+5 V)	57	VCC		Power supply (+5 V)																					
20	GND		Ground	58	GND		Ground																					
21	mcato	I	256 fs clock input terminal for ato, soat3-0 output	59	mcao	I	256 fs clock input terminal for so3-0 output																					
22	GND		Ground	60	GND		Ground																					
23	mcbto	I	128 fs clock input terminal for ato, soat3-0 output	61	mcbo	I	128 fs clock input terminal for so3-0 output																					
24	mccto	I	64 fs clock input terminal for ato, soat3-0 output	62	mcco	I	64 fs clock input terminal for so3-0 output																					
25	syncato	I	Synch. word input terminal for ato, soat3-0 output	63	synco	I	Synch. word input terminal for so3-0 output																					
26	clkssel	I	Clock select terminal for ato, soat 3-0 output 0: mcato,mcbto,mccto,syncato	64	so-sel1	I	Format select terminal for soat3-0 output																					
27	ato-sel0	I	Format select terminal for ato, soat3-0 output 1: mcai,mcbi,mcci,synci	65	so-sel0	I	Format select terminal for soat3-0 output																					
28	ato-sel1	I	Format select terminal for ato, soat3-0 output				<table border="1"> <thead> <tr> <th>so sel1</th> <th>so sel0</th> <th>input format</th> </tr> </thead> <tbody> <tr> <td>1</td> <td>1</td> <td>not enable to set</td> </tr> <tr> <td>1</td> <td>0</td> <td>so0 (8ch/line)</td> </tr> <tr> <td>0</td> <td>1</td> <td>so2, 0 (4ch/line)</td> </tr> <tr> <td>0</td> <td>0</td> <td>so3-0 (2ch/line)</td> </tr> </tbody> </table>	so sel1	so sel0	input format	1	1	not enable to set	1	0	so0 (8ch/line)	0	1	so2, 0 (4ch/line)	0	0	so3-0 (2ch/line)						
so sel1	so sel0	input format																										
1	1	not enable to set																										
1	0	so0 (8ch/line)																										
0	1	so2, 0 (4ch/line)																										
0	0	so3-0 (2ch/line)																										
			<table border="1"> <thead> <tr> <th>0:</th> <th colspan="2">mcato,mcbto,mccto,syncato</th> </tr> <tr> <th>1:</th> <th colspan="2">mcai,mcbi,mcci,synci</th> </tr> <tr> <th>ato sel1</th> <th>ato sel0</th> <th>output format</th> </tr> </thead> <tbody> <tr> <td>1</td> <td>1</td> <td>ato</td> </tr> <tr> <td>1</td> <td>0</td> <td>soat0 (8ch/line)</td> </tr> <tr> <td>0</td> <td>1</td> <td>soat2, 0 (4ch/line)</td> </tr> <tr> <td>0</td> <td>0</td> <td>soat3-0 (2ch/line)</td> </tr> </tbody> </table>	0:	mcato,mcbto,mccto,syncato		1:	mcai,mcbi,mcci,synci		ato sel1	ato sel0	output format	1	1	ato	1	0	soat0 (8ch/line)	0	1	soat2, 0 (4ch/line)	0	0	soat3-0 (2ch/line)	66	uo3	O	U-bit output terminal for optical output
0:	mcato,mcbto,mccto,syncato																											
1:	mcai,mcbi,mcci,synci																											
ato sel1	ato sel0	output format																										
1	1	ato																										
1	0	soat0 (8ch/line)																										
0	1	soat2, 0 (4ch/line)																										
0	0	soat3-0 (2ch/line)																										
				67	uo2	O																						
				68	uo1	O																						
				69	uo0	O																						
29	bitsel2		Bit shift select terminal for the ato output	70	ext-sync1	O	Synch. detect output terminal 1																					
30	bitsel1																											
31	bitsel0																											
32	VCC		Power supply (+5 V)	71	VCC		Power supply (+5 V)																					
33	GND		Ground	72	GND		Ground																					
34	ext-sync2		Synch. detect output terminal 2	73	clk	I	Clock input terminal for word clock extract																					
35	ui0		U-bit input terminal for optical output	74	GND		Ground																					
36	ui1																											
37	ui2																											
38	ui3																											
39	si-sel0		input format select terminal for si3-0	75	/res	I	System reset input terminal																					
40	si-sel1		input format select terminal for si3-0i	76	GND		Ground																					
			<table border="1"> <thead> <tr> <th>si sel1</th> <th>si sel0</th> <th>input format</th> </tr> </thead> <tbody> <tr> <td>1</td> <td>1</td> <td>not enable to set</td> </tr> <tr> <td>1</td> <td>0</td> <td>si0 (8ch/line)</td> </tr> <tr> <td>0</td> <td>1</td> <td>si2, 0 (4ch/line)</td> </tr> <tr> <td>0</td> <td>0</td> <td>si3-0 (2ch/line)</td> </tr> </tbody> </table>	si sel1	si sel0	input format	1	1	not enable to set	1	0	si0 (8ch/line)	0	1	si2, 0 (4ch/line)	0	0	si3-0 (2ch/line)	77	wc-at	O	Word clock output terminal						
si sel1	si sel0	input format																										
1	1	not enable to set																										
1	0	si0 (8ch/line)																										
0	1	si2, 0 (4ch/line)																										
0	0	si3-0 (2ch/line)																										
				78	mute	I	Data mute input terminal																					
				79	ati-sel1	I	Input format select terminal for ati, siat3-0.																					
				80	ati-sel0	I	input format select terminal for ati, siat3-0.																					
							<table border="1"> <thead> <tr> <th>ati sel1</th> <th>ati sel0</th> <th>input format</th> </tr> </thead> <tbody> <tr> <td>1</td> <td>1</td> <td>ati</td> </tr> <tr> <td>1</td> <td>0</td> <td>ati0 (8ch/line)</td> </tr> <tr> <td>0</td> <td>1</td> <td>ati2, 0 (4ch/line)</td> </tr> <tr> <td>0</td> <td>0</td> <td>ati3-0 (2ch/line)</td> </tr> </tbody> </table>	ati sel1	ati sel0	input format	1	1	ati	1	0	ati0 (8ch/line)	0	1	ati2, 0 (4ch/line)	0	0	ati3-0 (2ch/line)						
ati sel1	ati sel0	input format																										
1	1	ati																										
1	0	ati0 (8ch/line)																										
0	1	ati2, 0 (4ch/line)																										
0	0	ati3-0 (2ch/line)																										

**● YM3436DK (XG948E0) DIR2 (Digital Format Interface Receiver)**

IFC3: IC301 to 303, 401 to 403

PIN NO.	NAME	I/O	FUNCTION	PIN NO.	NAME	I/O	FUNCTION
1	DAUX	I	Auxiliary input for audio data	23	RSTN	I	System reset input
2	HDLT	O	Asynchronous buffer operation flag	24	Vdda		VCO section power (+5V)
3	DOUT	O	Audio data output	25	CTLN	I	VCO control input N
4	VFL	O	Parity flag output	26	PCO	O	PLL phase comparison output
5	OPT	O	Fs x 1 Synchronous output signal for DAC	27	(NC)		
6	SYNC	O	Fs x 1 Synchronous output signal for DSP	28	CTLP	I	VCO control input P
7	MCC	O	Fs x 64 Bit clock output	29	Vssa		VCO section power (GND)
8	WC	O	FS x 1 Word clock output	30	TSTN	I	Test terminal. Open for normal use
9	MCB	O	Fs x 128 Bit clock output	31	KM2	I	Clock mode switching input 2
10	MCA	O	Fs x 256 Bit clock output	32	KM0	I	Clock mode switching input 0
11	SKSY	I	Clock synchronization control input	33	FS1	O	Channel status sampling frequency display output 1
12	XI	I	Crystal oscillator connection or external clock input	34	FS0	O	Channel status sampling frequency display output 0
13	XO	O	Crystal oscillator connection	35	CSM	I	Channel status output method selection
14	P256	O	VCO oscillating clock connection	36	EXTW	I	External synchronous auxiliary input word clock
15	LOCK	O	PLL lock flag	37	DDIN	I	EIAJ (AES/EBU) data input
16	Vss		Logic section power (GND)	38	LR	O	PLL word clock output
17	TC	O	PLL time constant switching output	39	Vdd		Logic section power (+5 V)
18	DIM1	I	Data input mode selection	40	ERR	O	Data error flag output
19	DIM0	I	Data input mode selection	41	EMP	O	Channel status emphasis control code output
20	DOM1	I	Data output mode selection	42	CD0	O	3-wire type microcomputer interface data output
21	DOM0	I	Data output mode selection	43	CCK	I	3-wire type microcomputer interface clock input
22	KM1	I	Clock mode switching input 1	44	CLD	I	3-wire type microcomputer interface load input

● HD6477042AF28 (XY715A00) CPU

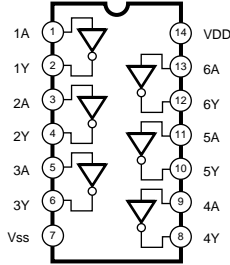
UNC: IC101

PIN NO.	NAME	I/O	FUNCTION	PIN NO.	NAME	I/O	FUNCTION
1	PE14	O	Port E	57	D11	I/O	Data bus
2	PE15	O	Port E	58	D10	I/O	
3	VSS	I	Ground	59	D9	I/O	
4	A0	O	Address bus	60	D8	I/O	Data bus
5	A1	O					
6	A2	O					
7	A3	O					
8	A4	O					
9	A5	O					
10	A6	O					
11	A7	O					
12	A8	O					
13	A9	O					
14	A10	O					
15	A11	O					
16	A12	O					
17	A13	O					
18	A14	O					
19	A15	O		Power supply	61	VSS	I
20	A16	O					
21	VCC	I	Power supply	62	D7	I/O	Data bus
22	A17	O	Address bus	63	D6	I/O	
23	VSS	I	Ground	64	D5	I/O	
24	/RAS	O	Row address strobe	65	VCC	I	Power supply
25	/CASL	O	Column address strobe (low)	66	D4	I/O	
26	/CASH	O	Column address strobe (high)	67	D3	I/O	Data bus
27	VSS	O	Ground	68	D2	I/O	
28	RDWR / PB5	O	DRAM read/write / Port B	69	D1	I/O	
29	A18	O	Address bus	70	D0	I/O	Data bus
30	A19	O					
31	A20	O					
32	PB9 / A21	O		Port B / Address bus	71	VSS	I
33	VSS	I	Ground	72	XTAL	I	Crystal oscillator
34	/RD	O	Read	73	MD3	I	
35	/WDTOVF	O	Watch dog timer overflow	74	EXTAL	I	Crystal oscillator
36	/WRH	O	High write	75	MD2	I	
37	VCC	I	Power supply	76	NMI	I	Non-maskable interrupt request
38	/WRL	O	Low write	77	VCC	I	
39	VSS	I	Ground	78	MD1	I	Mode control
40	/CS1	O	Chip select	79	MD0	I	
41	/CS0	O	Chip select	80	PLLVCC	I	PLL Power supply
42	PA9 / TCLKD	O	Port A / Timer clock	81	PLLCAP	I	
43	/IRQ2 / TCLKC	I	Interrupt request / Timer clock	82	PLLVSS	I	PLL Ground
44	/CS3	O	Chip select	83	PA15 / CK	O	
45	/CS2	O	Chip select	84	/RES	I	Reset
46	/IRQ1	I	Interrupt request	85	PE0	I	
47	TXD	O	Data transmission	86	PE1	I	
48	RXD	I	Data reception	87	PE2	I	
49	/IRQ0	I	Interrupt request	88	PE3	I	Ground
50	PA1 / TXD0	O	Port A / Data transmission	89	PE4	I	
51	PA0 / RXD0	I	Port A / Data reception	90	VSS	I	
52	D15	I/O	Data bus	91	AN0 / PF0	I	Analog input / Port F
53	D14	I/O					
54	D13	I/O					
55	VSS	I		Ground	92	AN1 / PF1	
56	D12	I/O	Data bus	93	AN2 / PF2	I	Analog ground
			Ground	94	AN3 / PF3	I	
			Ground	95	AN4 / PF4	I	
			Ground	96	AN5 / PF5	I	Analog input / Port F
			Ground	97	AVSS	I	
			Ground	98	AN6 / PF6	I	Analog input / Port F
			Ground	99	AN7 / PF7	I	
			Ground	100	AVCC	I	Power supply
			Ground	101	VSS	I	
			Ground	102	PE5	O	Port E
			Ground	103	VCC	I	
			Ground	104	PE6	O	
			Ground	105	PE7	O	Port E
			Ground	106	PE8	O	
			Ground	107	PE9	O	
			Ground	108	PE10	O	Port E
			Ground	109	VSS	I	
			Ground	110	PE11	O	
			Ground	111	PE12	O	Port E
			Ground	112	PE13	O	

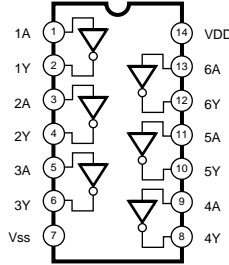


# IC BLOCK DIAGRAM

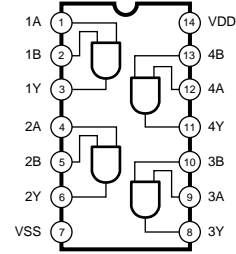
- **HD74LVU04AFPEL** (XY102A00)  
Hex Inverter  
IFC3: IC105



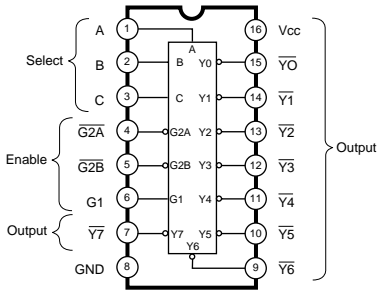
- **HD74LV04AFPEL** (IS000400)  
Hex Inverter  
IFC3: IC311, 408  
UNC: IC105



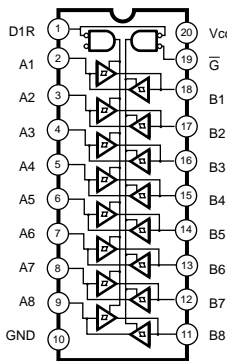
- **HD74LV08AFPEL** (IS000800)  
Quad 2 Input AND  
IFC3: IC104, 310, 409  
UNC: IC104, 213



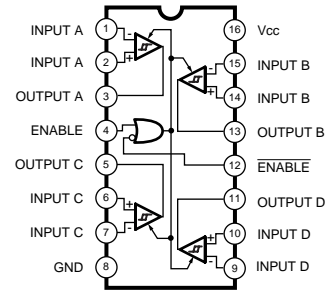
- **SN74LV138ANSR** (IS013810)  
3 to 8 Demultiplexer  
UNC: IC211, 212



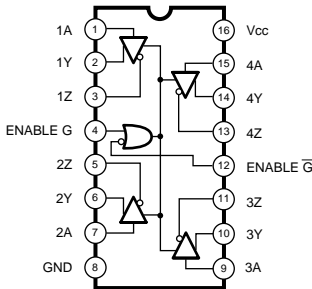
- **HD74LV245AFPEL** (IS024500)  
Octal 3-State Bus Transceiver  
IPC2: IC104, 105  
IFC3: IC101-103, 106, 107, 404-407, 601-608  
UNC: IC102, 204, 210



- **DS26C32ATMX** (XU815A00)  
Quad Differential Line Receiver  
IPC2: IC100-103, 106



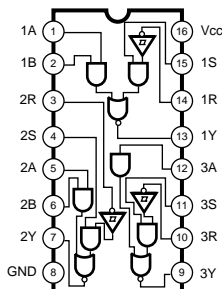
- **AM26LS31CNSR** (XU996A00)  
Quad Line Driver  
IPC2: IC107



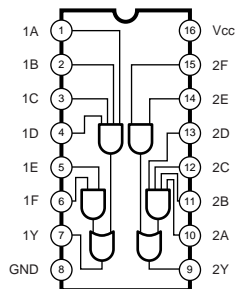
INPUT	ENABLES		OUTPUTS	
	G	$\bar{G}$	Y	Z
H	H	X	H	L
L	H	X	L	H
H	X	L	H	L
L	X	L	L	H
X	L	H	Z	Z

H= high level    X= irrelevant  
L= low level    Z= high impedance (off)

- **SN75124N** (XE737A00)  
Triple Line Receiver  
IPC4: IC300



- **SN75121** (XE638A00)  
Dual Line Driver  
IPC4: IC301

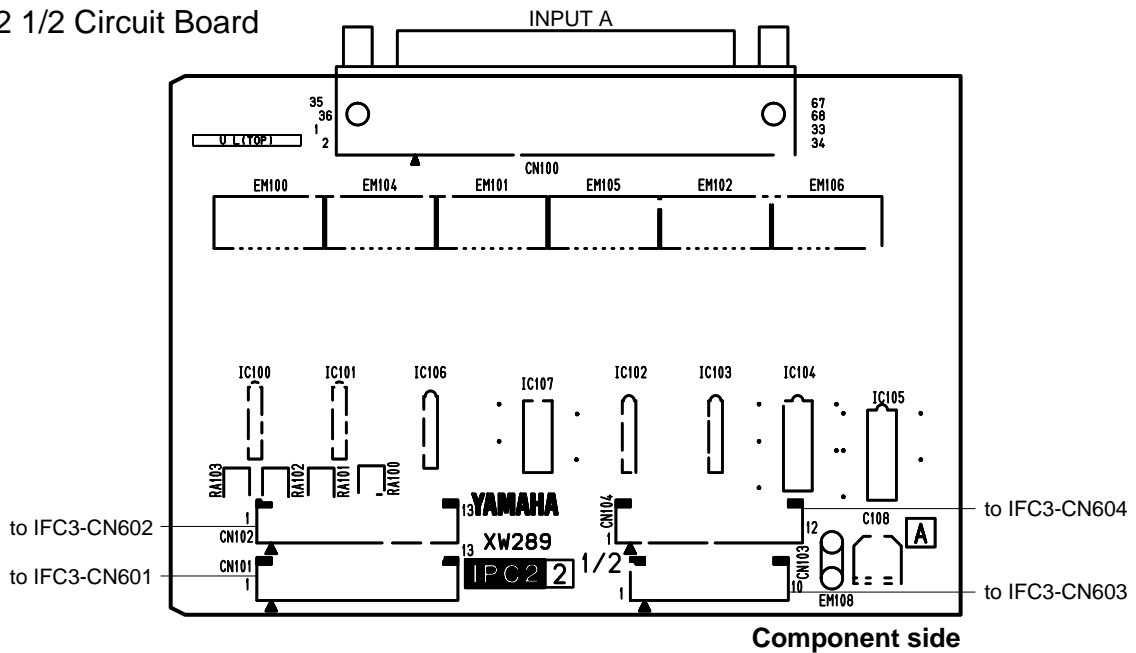


## ■ CIRCUIT BOARDS

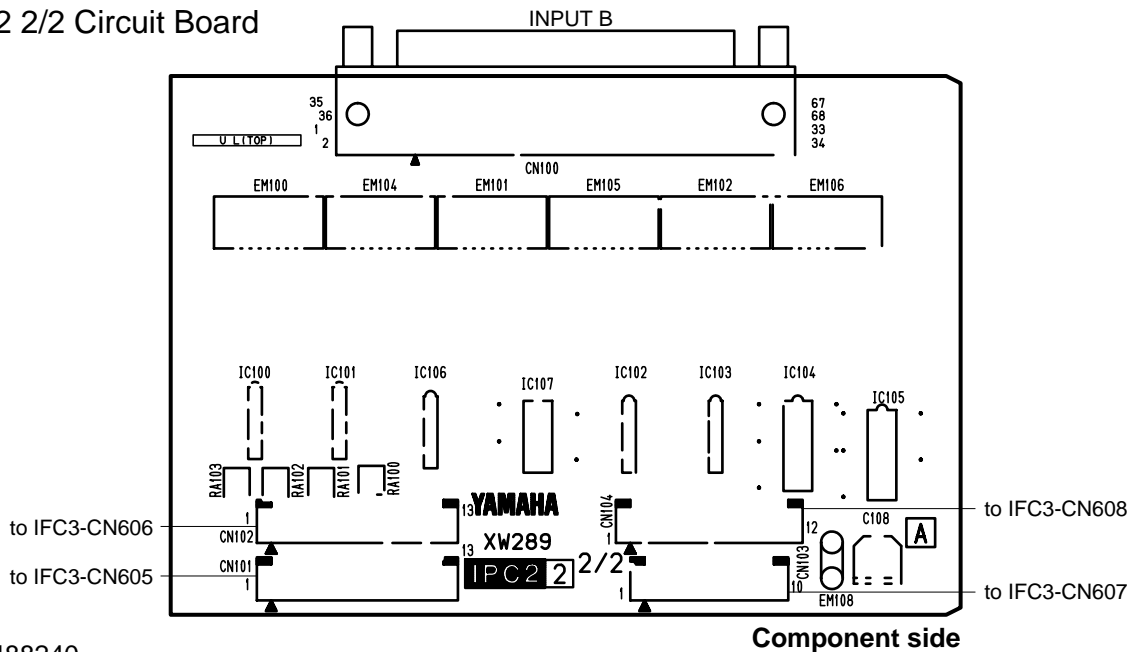
AC Circuit Board (XW295B0).....	16
DC Circuit Board (XW295B0).....	17
DR Circuit Board (XW295B0).....	16
IFC3 Circuit Board (XW287A0).....	19
IPC2 Circuit Board (XW289A0).....	15
IPC4 Circuit Board (XW286B0).....	16
LED2 Circuit Board (XW286B0).....	16
MB1 Circuit Board (XW282A0).....	17
PSB Circuit Board (XW295B0).....	16
UNC Circuit Board (XW281B0).....	18

**Note:** See parts list for details of circuit board component parts.

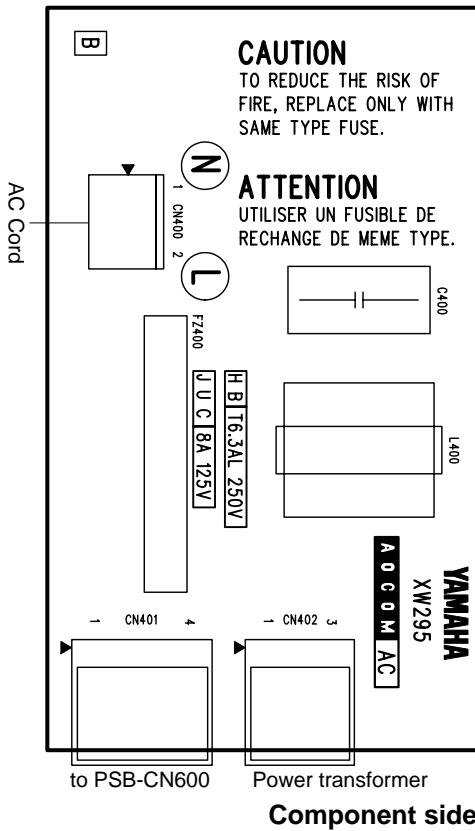
### ● IPC2 1/2 Circuit Board



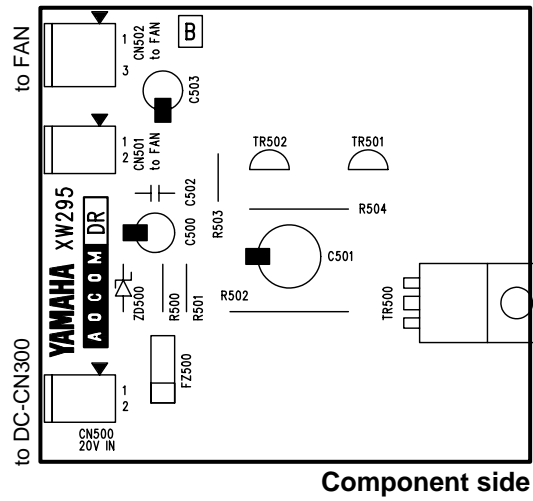
### ● IPC2 2/2 Circuit Board



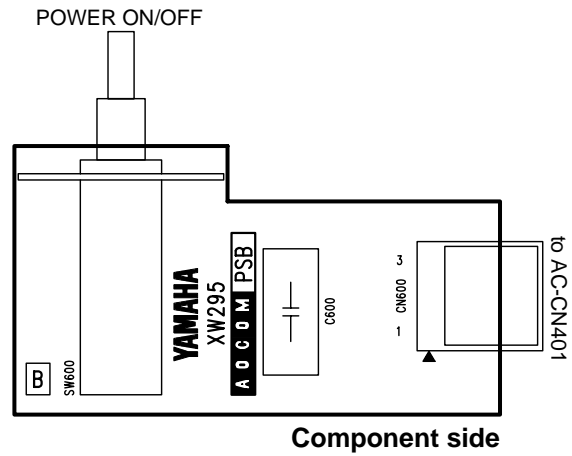
● AC Circuit Board



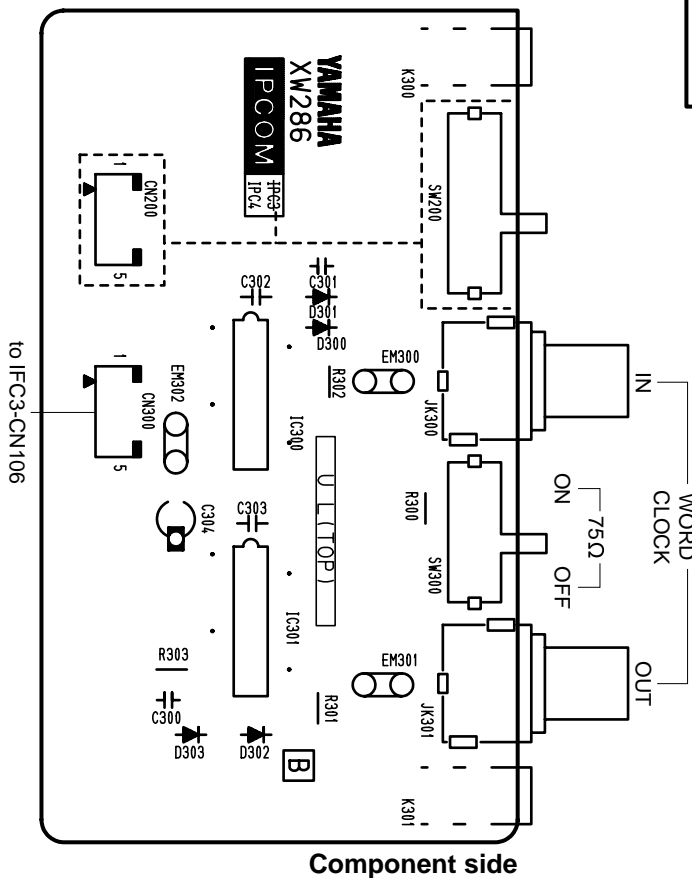
● DR Circuit Board



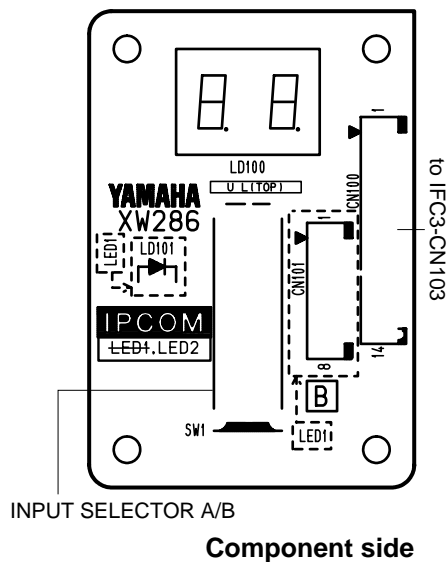
● PSB Circuit Board



● IPC4 Circuit Board



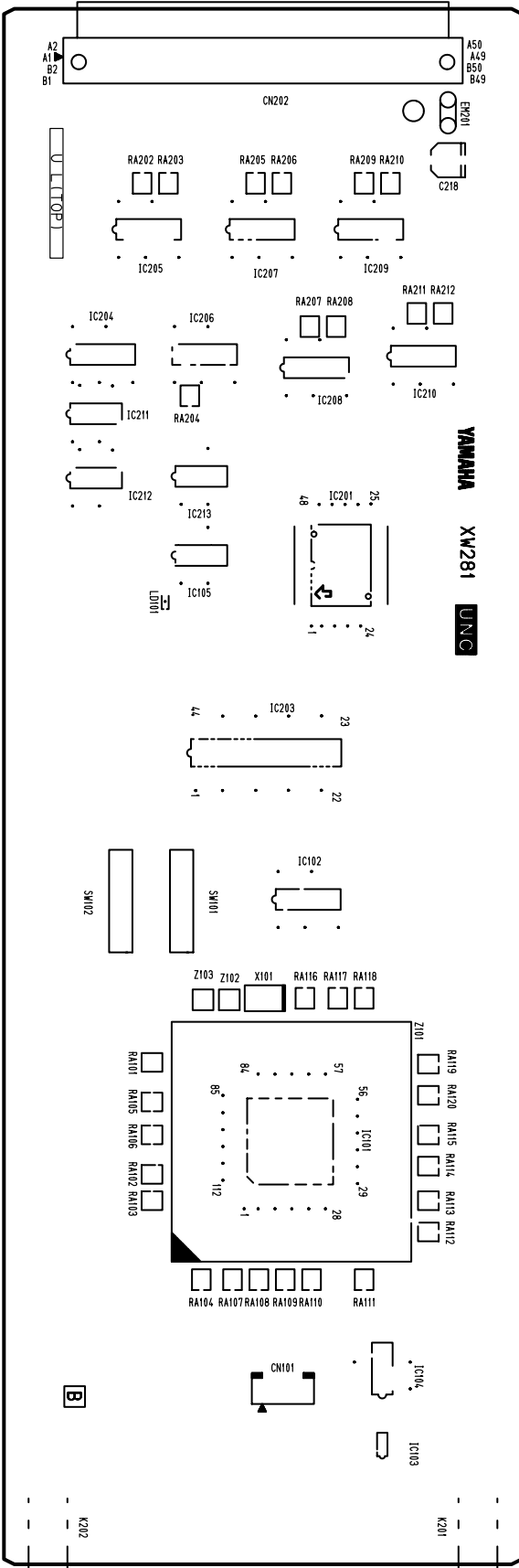
● LED2 Circuit Board



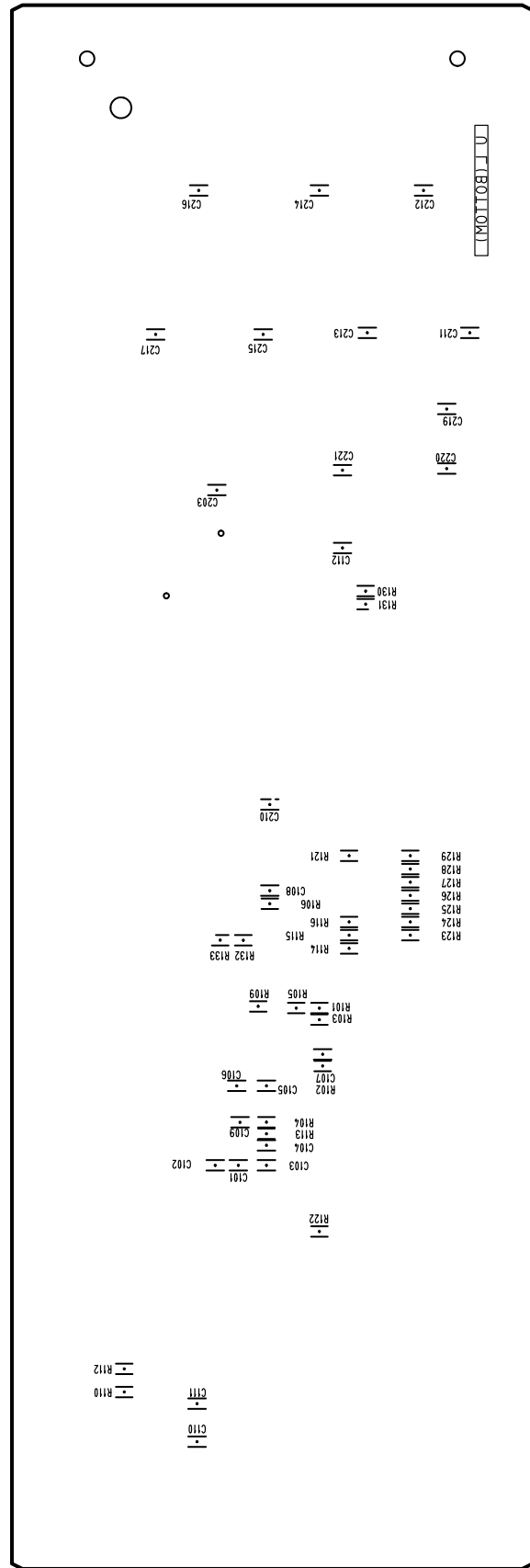
AC, DR, PSB: 3NA-V412970△  
IPC4, LED2: 3NA-V491380



● UNC Circuit Board



Component side



Pattern side

3NA-V412870△



## INSPECTION

### 1. Range of Applicability

These specifications apply to the AO8 and AO8-DA8.

### 2. Preparations

#### 2-1. Conditions

- ◇ For details on the connection method, refer to the Test Program Specifications KES-92653.
- ◇ Unless otherwise specified, the conditions are as follows.
  - Set the INPUT SELECTOR switch to A.
  - Set WORD CLOCK IN 75 Ω to ON.

#### 2-2. Loading the Firmware

The firmware used must be the “AI8/AO8 Firmware” (managed with the already drawn CD-R assembly drawing (3JL-XY714A0)) of the PMID System Software matching the version on the cover sheet. For details on the firmware writing method, refer to the Test Program Specifications KES-92653.

#### 2-3. Test Program

For details on the starting method etc., refer to the Test Program Specifications KES-92653.

### 3. Inspection

#### 3-1. Inspection with Test Program

- Inspect based on the Test Program Specifications KES-92653.

#### 3-2. Jitter Measurement

- Connect the LMY-slot inspection jig Canon terminal to DSA1.
- Set Fs to 48 kHz and 44.1 kHz with the test program and measure the jitter at DSA1.

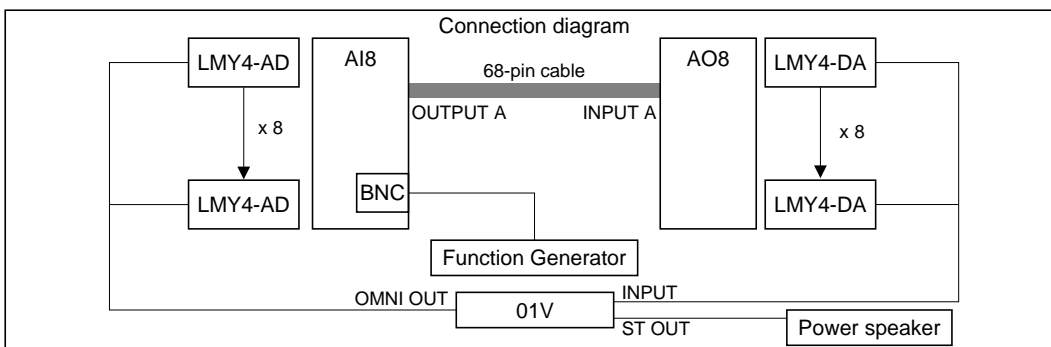
	Range of tolerance
48 kHz	6 nsec max.
44.1 kHz	5 nsec max.

#### 3-3. Fan Operation Check

- Check that the fan rotates while the power is on.

#### 3-4. Sound

- The connections are as in the diagram below.



- Set the AI8 and AO8 sheet UNC DIP switch as below. DIP Switch 8 is not used.

	DIP SW						
	1	2	3	4	5	6	7
AI8	OFF	ON	OFF	OFF	ON	ON	ON
AO8	OFF	OFF	OFF	ON	OFF	OFF	OFF

- For 01V, OSC1kHz is output from OMNI1 OUT and the signal input to INPUT is assigned to ST OUT.
- For AO8, insert the inspection LMY4-DA cards in Slot 1-8.
- For AO8-DA8, insert the shipping LMY4-DA cards in Slot 1-8.

**(1)  $F_s = 51.12 \text{ kHz}$  (48 kHz + 6.5 %)**

- Set the function generator to 51.12 kHz.
- Test listen for 30 seconds at all the output terminals and verify that there is no noise.

**(2)  $F_s = 39.69 \text{ kHz}$  (44.1 kHz -10 %)**

- Set the function generator to 39.69 kHz.
- Test listen for 30 seconds at all the output terminals and verify that there is no noise.

**3-5. Firmware Load Test**

Check that it is possible to load the firmware as in 2-2. using the Input B terminal.

**4. Factory Settings**

- Switch all the sheet UNC DIP switch settings On.

- Front panel

INPUT SELECTOR:                    A

- Rear panel

WORD CLOCK IN 75  $\Omega$ :            On



## ■ TEST PROGRAM

### A. Preparations for Inspection

#### •Writing the firmware

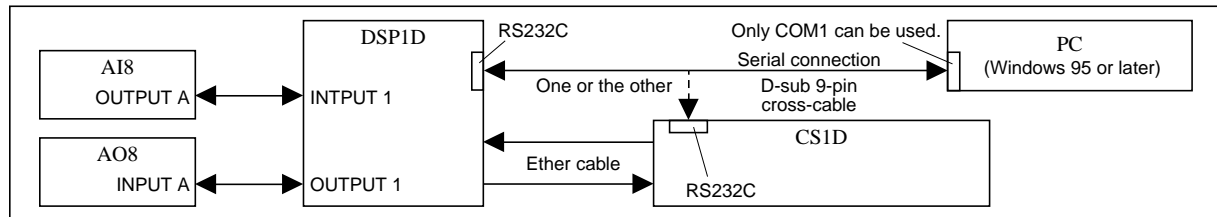
This equipment requires firmware. When there are changes to the manufacturing processes and program for this equipment, it is necessary to download the new firmware to FlashRom from a PC. (If there is no firmware loaded or its checksum does not match the correct value, when the power is first switched on the LED on UNC flashes at one second intervals.)

The only sheet for which the firmware must be downloaded is UNC. There are two methods for writing this firmware: to write it indirectly using the CS1D or DSP1D RS232C port or to write it directly to the AO8 UNC sheet. The detailed methods are given below.

#### •Method for writing firmware using the CS1D or DSP1D RS232C port

\* It is possible to write the AO8 (UNC) firmware from the PC via the CS1D or DSP1D RS232C port. This is the method normally used.

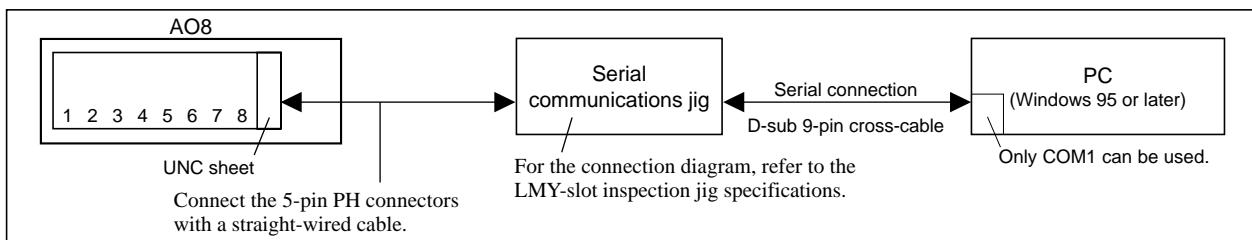
Software used: PM1DLOAD within PM1D system software  
 Firmware used: AI8/AO8 firmware in PM1D system software  
 Version used: PM1DLOAD and the AI8/AO8 firmware are PM1D system software component files with the version number listed on the cover sheet.  
 (Managed with the already drawn CD-R assembly drawing (3JL-XY714A0).)  
 \* For the installation and setting methods, refer to the CS1D Test Program Specifications.



1. Install and set the above reference destination files.
2. Connect as in the figure above. Do not connect any other signal lines. At this time, since data is written to ports other than OUTPUT1, connect only one AO8 or one each of AI8 and AO8. However, to write firmware just to this equipment for a manufacturing process with this equipment, the configuration with only the AO8, DSP1D, and PC is sufficient.
3. Write the firmware to all the units connected with the method listed in the CS1D Test Program Specifications. After the firmware has been written, check that the versions for all the units are the desired versions.

#### •Method for writing firmware directly to the AO8 UNC

\* When there is some kind of problem or the DSP1D is unavailable due to this equipment's production processes and the firmware can not be written with the method on the previous page, use the method below.



1. Connect the D-sub 9-pin serial cables (cross) and DSP-CHECK board between the 5-pin connector for the target board and the PC. At this time, do not connect other signal lines.
2. After PM1DLOAD starts up, select CardDirect with MODE SELECT, then press OK.
3. Press the Update button in the AO8 item.
4. Select the UNC, then press Write.
5. After writing ends, end PM1DLOAD.
6. Switch off the power for AO8 and remove the PH connector, then switch the power for AO8. DSP1D on again and check that it starts up normally.

#### •PM1D inspection PC software preparation

Inspection with this device uses special PC software for inspection.

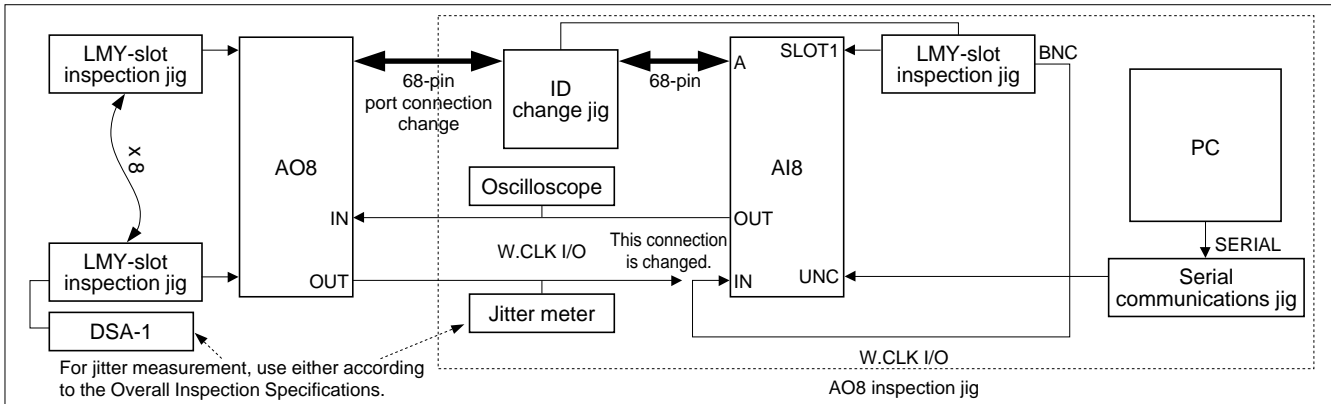
The software versions are as follows

Software used: PMID inspection PC software in PMID system software  
 Version used: PMID system software component files with the version number listed on the cover sheet.  
 (Managed with the already drawn CD-R assembly drawing (3JL-XY714A0).)

For details on the preparation and execution methods, refer to the CS1D Test Program Specifications. Before starting inspection, refer to version.txt in the same directory as the firmware shown on the previous page and input the version character string as instructed.

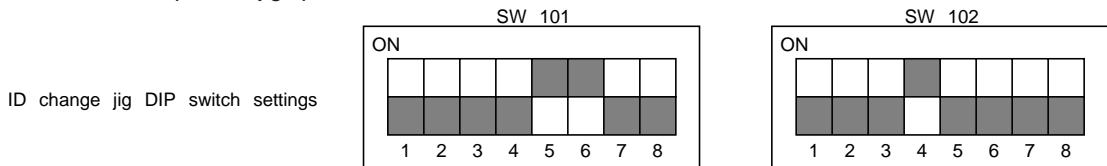
**B. Inspection Method**

The inspection configuration is shown in the diagram below.



Install the inspection jig to the AO8 to be inspected as in the figure above. Send the inspection commands from the PC via the AI8 to the LMY-slot inspection jig and take in at the PC the results returned from the LMY-slot inspection jig. Always switch on the Phantom switch before starting the inspection. (The pop-up box is displayed on the PMID inspection PC software when the checks start.)

- \* Use the LMY-slot inspection jigs inserted into the LMY-slots. For details, see the LMY-slot inspection jig specifications.
- \* Serial communications jigs are boards that convert the serial interface from the PC. For details, see the LMY-slot inspection jig specifications.
- \* Set the DIP switches on the ID change jig for AO8 inspection as shown below. For details on the IC change jig, see the LMY-slot inspection jig specifications.

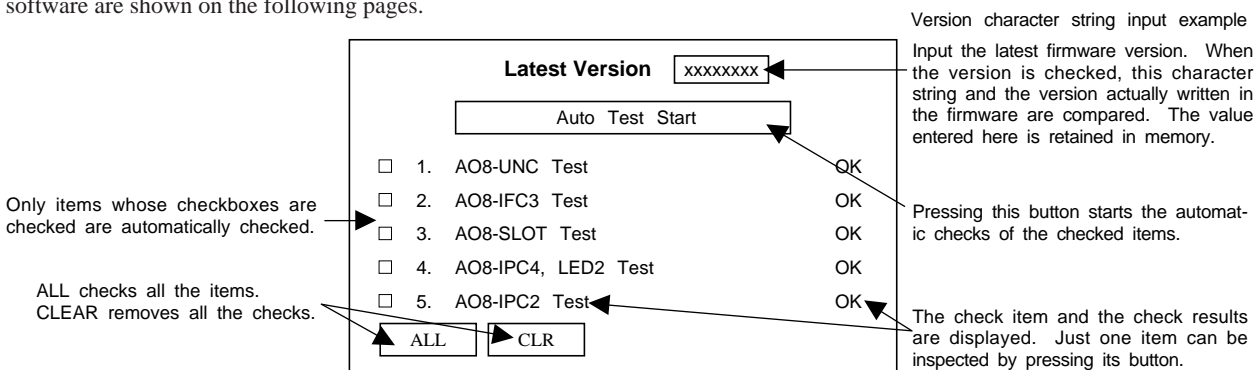


**PMID inspection PC software summary**

The AO8 is inspected using PC inspection software. This inspection software is common for AI8/AO8/DSP1D/CS1D. For the basic operation methods, menu screen specifications, etc., see the CS1D Test Program Specifications.

Below is the menu for AO8 inspection.

Input the latest version of AO8 UNC before starting the inspection. (This is necessary for the version check.) For the character string to input, refer to version.txt in the same directory as the AI8/AO8 firmware. Details of each check item and the corresponding PC software are shown on the following pages.



### C. Inspection Items

The inspection items are as below. Details of the inspection items are shown on the following pages.

\* However, 128 Fs Sync must be normal for the DSP to operate, so there is no special check item.

No.	Item
1	AO8 - UNC test
2	AO8 - IFC3 test
3	AO8 - SLOT test
4	AO8 - IPC4, LED2 test
5	AO8 - IPC2 test

#### 1. AO8 - UNC Test

This test checks around the AO8-UNC.

OK/NG display for the page as a whole  
Displayed when all the checks have been completed.

Received ID displayed as board name and hexadecimal

Checked in order from top to bottom. Completed main items have marks next to them.

Current status display

Displays all the detailed results so far. This display can be scrolled.

OK/NG display for individual items  
The NG is displayed the moment the item is found to be NG, even if the test is still underway.

If OK, sub-items are not displayed.

Stopped the moment an actual ID NG appears; stopped at the end of the page for any other NG.

Corresponding pin number

#### NG example

Abnormal port name

Previously read value. [ ] gives the correct value. 4-digit hexadecimal notation

Terminal status display  
Delimited in units of 8 digits right justified in the order upper then lower.  
0: Normal 1: Abnormal - : Ignored

Gives the current version and the latest version

- ( SRAM OK: LED lit up  
NG: LED flashes on (0.2 s) - Off (0.2 s) - On (0.2 s) - Off (0.1 s)
- Flash OK: LED lit up  
NG: LED flashes on (0.1 s) - Off (0.1 s) - On (0.1 s) - Off (0.1 s)

#### 2. AO8 - IFC3 Test

This test checks around the AO8-IFC3.

Same as up till here

#### NG example

Same as up till here

### 3-1. AO8 - Slot [Initial] Test

Checks slot operation by checking the minimum necessary number of pins.

The results for each slot are displayed in order from the left. A mark is made for each check to show the progress of the checks.  
(Blank: Not yet checked; O: Normal; I: Abnormal; N: No response)

Stopped the moment an actual Addr.BusTest or DataBusTest NG appears.

Shows which pin is NG; display for 16 pins.  
(1: NG; 0: OK)

3-1. AO8-SLOT [Initial] Test OK

* Address Bus Test	00000000	OK
* Data Bus Test	00000000	OK
* Voltage Check	00000000	OK
+20V 00000000		
+15V 00000000		
-15V 00000000		
+5V 00000000		
-5V 00000000		
*/CON Line Test	00000000	OK

3-1. AO8-SLOT [Initial] Test  
 Address Bus Test: OK  
 Data Bus Test: OK  
 Voltage Check: OK  
 /CON Line Test: OK

First, all the voltages for one slot are checked, then this is repeated for the next slot. (The notation is each voltage [x 8 slots], but the check order is each slot [x all voltages].)

Basically, the same as up till here

#### NG example

3-1. AO8-SLOT [Initial] Test

* Address Bus Test	00000100	NG
* Data Bus Test	00010100	NG
* Voltage Check	00010100	NG
+20V 00010000		
+15V 00010000		
-15V 00000000		
+5V 00000000		
-5V 00000100		
*/CON Line Test	00010100	NG

3-1. AO8-SLOT [Initial] Test  
 Address Bus Test: NG  
 Data Bus Test: NG  
 SLOTT4 11111111 11111111 NG  
 SLOTT6 11111111 11111111 NG  
 Voltage Check: NG  
 SLOTT4 NG  
 +20V => +xx.xxV (-xx.x%)  
 +15V => +xx.xxV (+xx.x%)  
 SLOTT6 NG  
 -5V => +xx.xxV (-xx.x%)  
 /CON Line Test: 00010100 NG

The detected voltage is displayed and the percentage deviation from the ideal state is displayed. This is shown for each slot.

### 3-2. AO8 - Slot [Clock Line] Test

This test checks around the slot clock.

3-2. AO8-SLOT [Clock Line] Test OK

* FS Line Check	00000000	OK
Fs	00000000	
64Fs	00000000	
256Fs	00000000	

3-2. AO8-SLOT [Clock Line] Test  
 FS Line Check: OK

Basically, the same as up till here

#### NG example

3-2. AO8-SLOT [Clock Line] Test

* FS Line Check	00010000	NG
Fs	00010000	
64Fs	00010000	
256Fs	00010100	

3-2. AO8-SLOT [Clock Line] Test  
 FS Line Check: NG  
 SLOTT4 NG  
 Fs -> xx.xxx kHz (-xx.x%)  
 64Fs -> xx.xxx kHzx64 (+xx.x%)  
 256Fs -> xx.xxx kHzx256 (-xx.x%)  
 SLOTT6 NG  
 256Fs -> xx.xxx kHzx256 (-xx.x%)

The detected FS frequency is displayed and the percentage deviation from the ideal state is displayed. The values for 64 Fs and 256 Fs are displayed in such a way that they can be easily grasped.

### 3-3. AO8 - Slot [Data Line] Test

This test checks around the serial communications.

3-3. AO8-SLOT [Data Line] Test OK

* Digital Signal line Test	00000000	OK
SI	00000000	

3-3. AO8-SLOT [Data Line] Test  
 Digital Signal Line Test: OK

Basically, the same as up till here

#### NG example

3-3. AO8-SLOT [Data Line] Test

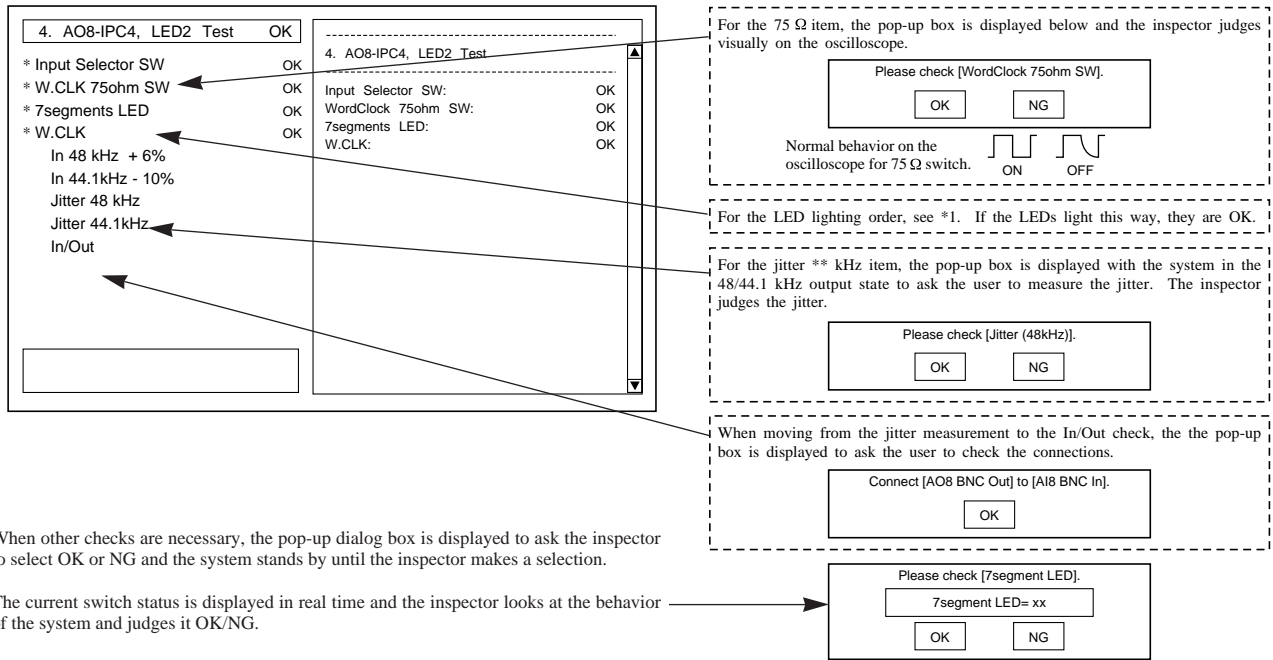
* Digital Signal line Test	00010000	NG
SI	00010000	

3-3. AO8-SLOT [Data Line] Test  
 Digital Signal Line Test: NG  
 SLOTT4 NG  
 SI [a7,b7 pin]

The ID change jig digital line change is on the rear.

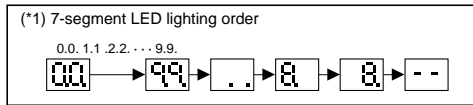
### 4. AO8 - IPC4, LED2 test

This test checks around the AO8 - IPC4 and LED2.



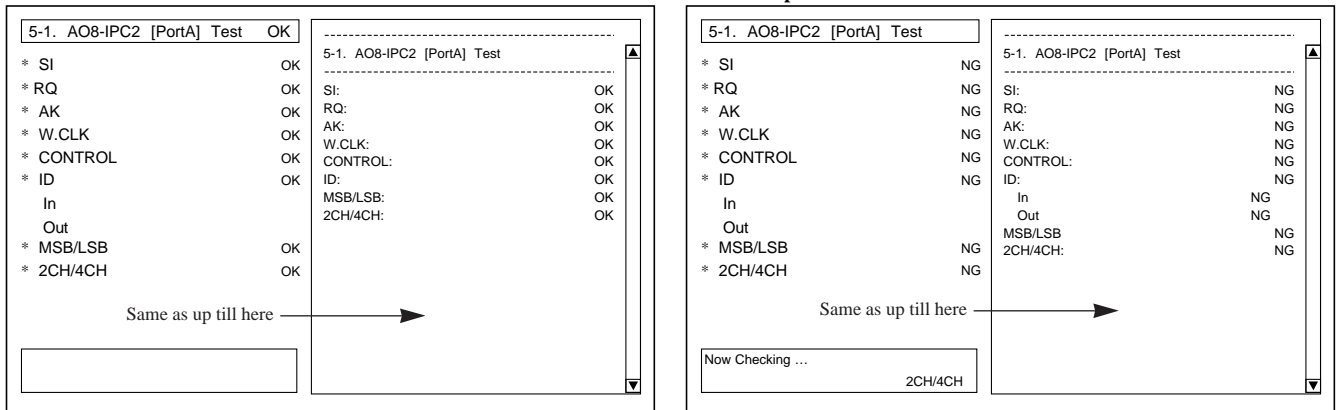
When other checks are necessary, the pop-up dialog box is displayed to ask the inspector to select OK or NG and the system stands by until the inspector makes a selection.

The current switch status is displayed in real time and the inspector looks at the behavior of the system and judges it OK/NG.

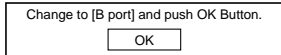


### 5. AO8 - IPC2 test

This test checks around the AO8 - IPC2. Ports A and B are both checked, so the same procedure is carried out in 5-1 for Port A and in 5-2 for Port B.



When changing to the next port, a pop-up box like that on the right is displayed.



## ■ ERROR MESSAGES

If an error occurs in the connection to the DSP1D, or if the unit does not lock to the wordclock signal, one of the following error indications appears.

ERROR MESSAGE	DESCRIPTION
<i>E2</i>	The AO8 is connected to the INPUT connector of the DSP1D/DSP1D-EX. Connect the AO8 to the OUTPUT connector.
<i>E3</i>	A cable is disconnected from the INPUT A, B, or C connector on the rear panel, or the connection is made incorrectly. If the connection is proper, replace the cable.
<i>UL</i>	The unit does not lock to the wordclock signal.
<i>UC</i>	The control signal is not being received correctly.
<i>"0.x."</i>	<p>(two dots and the ID number of the OUTPUT connector on the DSP1D/DSP1D-EX)            Illuminating dots means that the AO8 is connected in Mirror mode from the DSP1D/DSP1D-EX.            If ".x ." lights up continuously during Mirror mode operation, the INPUT SELECTOR switch setting matches the setting controlled from the CS1D and the system is operating normally.            If the control signal from the CS1D has changed the setting during Mirror mode operation and it does not match the INPUT SELECTOR switch setting any more, this indicator changes in the following order.</p> <div style="text-align: center;"> <pre> graph TD     A["0.x."] --&gt; B["_. ."]     B --&gt; C["_.R." (or "_.b.")"]     C --&gt; D["_. ."]     D --&gt; A           </pre> </div> <p>"_.R ." means that the control signal from the CS1D has changed the setting to "A"            "_.b ." means that the control signal from the CS1D has changed the setting to "B."            During this time period, you can connect or disconnect the cable from the unselected output connector.            If you set the INPUT SELECTOR switch so that it matches the setting made via the control signal from the CS1D, " 0.x ." lights up continuously.</p>

# ANALOG OUTPUT BOX

# AO 8

# PARTS LIST


## ■ CONTENTS



OVERALL ASSEMBLY .....	2
SIDE PANEL ASSEMBLY .....	4
MOTHER ASSEMBLY .....	6
ELECTRICAL PARTS .....	7-11

## Notes : DESTINATION ABBREVIATIONS

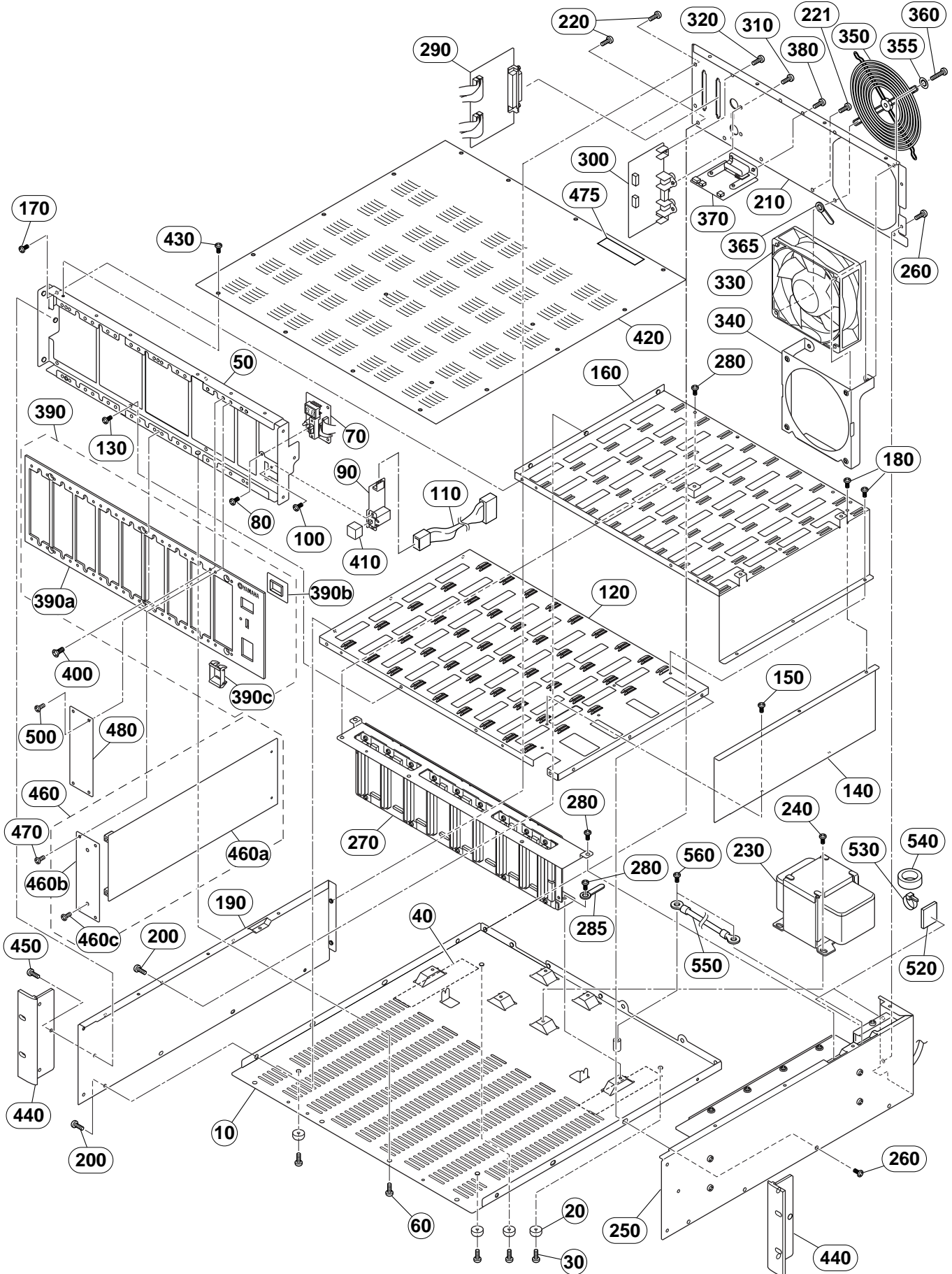
A: Australian model	M: South African model
B: British model	O: Chinese model
C: Canadian model	Q: South-east Asia model
D: German model	T: Taiwan model
E: European model	U: U.S.A. model
F: French model	V: General export model (110 V)
H: North European model	W: General export model (220 V)
I : Indonesian model	N,X: General export model
J: Japanese model	Y: Export model

## ■ WARNING

Components having special characteristics are marked  and must be replaced with parts having specification equal to those originally installed.

- The numbers in “QTY” show quantities for each unit.
- The parts with “- -” in “PART NO.” are not available as spare parts.
- The mark “}” in the remarks column indicates that these parts are interchangeable.
- The second letter of the shaded (  ) part number is O, not zero.
- The second letter of the shaded (  ) part number is I, not one.

# OVERALL ASSEMBLY





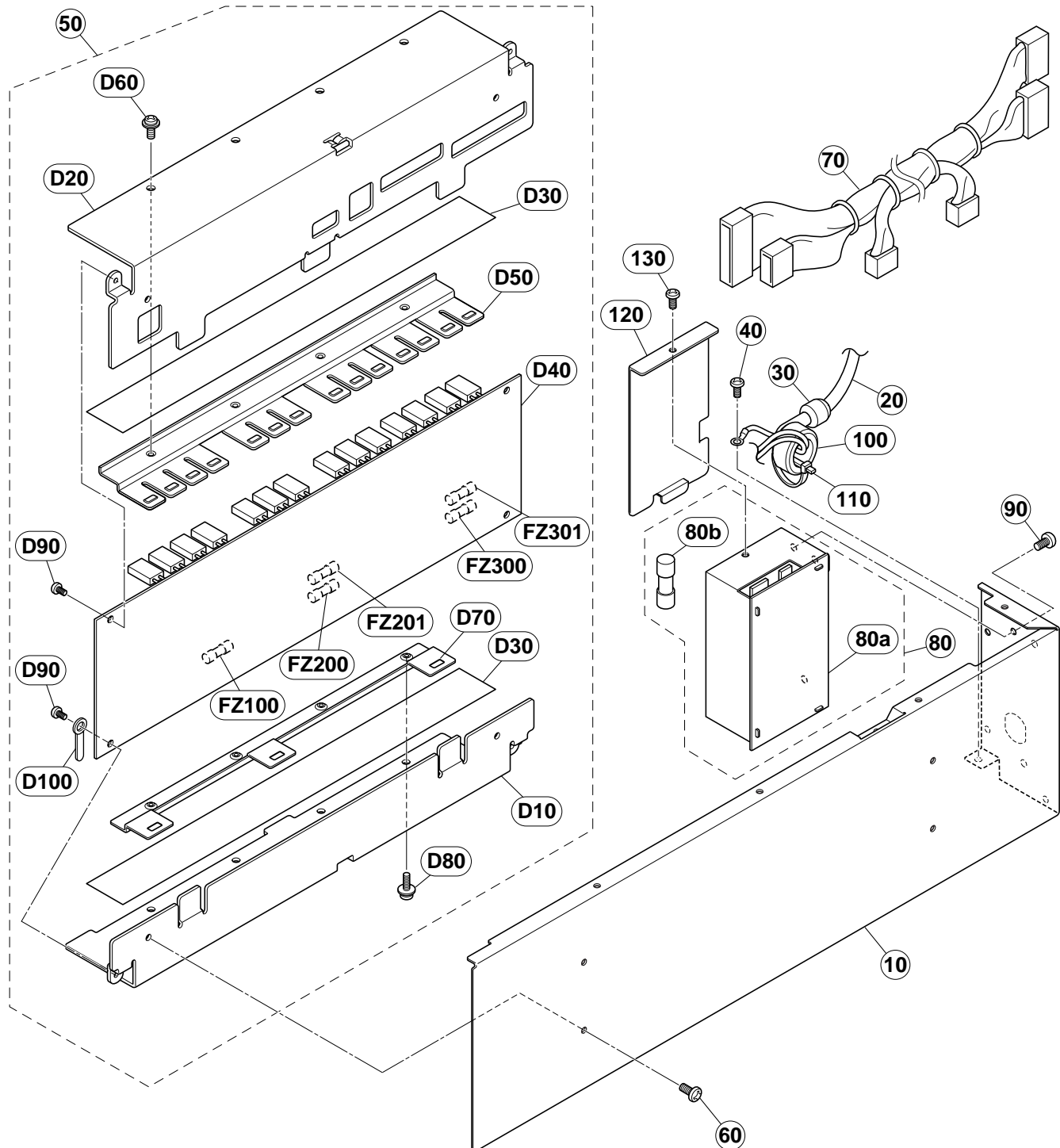
REF NO.	PART NO.	DESCRIPTION		REMARKS	QTY	RANK
		OVERALL ASSEMBLY		AO8		
	--	Overall Assembly		J (V479550)		
	--	Overall Assembly		U,V (V479560)		
	--	Overall Assembly		H,W (V479570)		
	--	Overall Assembly		B (V479580)		
* 10	V4277100	Bottom Chassis				15
20	CB806590	Leg	BL		4	03
30	VR138400	Bind Head Tapping Screw-B	4.0X12 MFZN2BL		4	01
* 40	V4278900	PET Sheet			3	02
* 50	V4277800	Front Shassis				08
60	VC688800	Bind Head Tapping Screw-B	A4.0X8 MFZN2BL		4	01
* 70	V4913600	Circuit Board	AO8 LED2 (IPCOM)			08
80	EP600230	Bind Head Tapping Screw-B	3.0X6 MFZN2BL		2	01
* 90	V4913700	Circuit Board	AO8 PSB (AOCOM)			07
100	VB659000	Bind Head Screw	3.0X8 MFZN2BL		2	01
* 110	V5087200	Connector Assembly	VH4P-VH3P #18			05
* 120	V4277900	Chassis	LOWER			11
130	VC688800	Bind Head Tapping Screw-B	A4.0X8 MFZN2BL		4	01
* 140	V4914400	Shield				06
150	VP157900	Bind Head Tapping Screw-B	A3.0X6 MFZN2BL		2	01
* 160	V4278000	Chassis	UPPER			08
170	VC688800	Bind Head Tapping Screw-B	A4.0X8 MFZN2BL		3	01
180	VP157900	Bind Head Tapping Screw-B	A3.0X6 MFZN2BL		5	01
* 190	V4277200	Side Panel	LEFT			09
200	VC688800	Bind Head Tapping Screw-B	A4.0X8 MFZN2BL		7	01
* 210	V4279000	Rear Panel				10
220	VC688800	Bind Head Tapping Screw-B	A4.0X8 MFZN2BL		6	01
221	VC688800	Bind Head Tapping Screw-B	A4.0X8 MFZN2BL			01
△ 230	XW261A00	Power Transformer		J		17
△ 230	XW262A00	Power Transformer		U,V		18
△ 230	XW263B00	Power Transformer		H,B,W		17
240	VC688800	Bind Head Tapping Screw-B	A4.0X8 MFZN2BL		4	01
250	--	Side Panel Assembly	RIGHT	J (V479360)		
250	--	Side Panel Assembly	RIGHT	U,V (V479370)		
250	--	Side Panel Assembly	RIGHT	H,W (V479380)		
250	--	Side Panel Assembly	RIGHT	B (V479390)		
260	VC688800	Bind Head Tapping Screw-B	A4.0X8 MFZN2BL		7	01
270	--	Mother Assembly		(V479300)		
280	VC688800	Bind Head Tapping Screw-B	A4.0X8 MFZN2BL		7	01
285	CB817510	Cord Binder	S-14B		1	03
* 290	V4130200	Circuit Board	AO8 IPC2		2	27
* 300	V4129300	Circuit Board	AO8 IPC4 (IPCOM)			14
310	VS863000	Bonding Screw	3.0X6 MFZN2BL		2	01
320	EG340290	Bind Head Screw	A4.0X6 MFZN2BL		2	01
* 330	V5789100	Motor	DC KDE1208PTS3-6	Fan		09
* 340	V5107200	Fan Guide				06
350	VK949100	Fan Guard	FG-08UL			06
355	ET800070	Toothed Lock Washer	A4.0 MFZN2BL		4	01
360	VG605800	Bind Head Screw	4.0X35 MFZN2BL		4	01
365	CB817510	Cord Binder	S-14B		2	03
* 370	V4649200	Circuit Board	AO8 DR (AOCOM)			07
380	VN413300	Bonding Tapping Screw-B	3.0X8 MFZN2BL		2	01
390	--	Front Panel Assembly		(V479200)		
* 390a	V4279300	Front Panel				16
* 390b	V4278800	LED Cover	7 SEG.			05
390c	VL813000	Escutcheon, Power Switch				03
400	VA221200	Flat Head Screw	4.0X8 MFZN2BL		6	01
410	VL812900	Power Switch Knob		POWER ON/OFF		03
* 420	V4278200	Top Panel				13
430	VC688800	Bind Head Tapping Screw-B	A4.0X8 MFZN2BL		17	01
* 440	V4278700	Mount Bracket			2	08
450	VS153600	Oval Head Screw	4.0X8 MFZN2BL		6	01
460	--	UNC Card Assembly		(V479500)		
* 460a	V4128700	Circuit Board	A18 UNC			31
* 460b	V4278600	UNC Plate				04
460c	VS154500	Bonding Screw	4.0X8 MFZN2BL		2	01
470	VS863000	Bonding Screw	3.0X6 MFZN2BL		4	01
475	--	Label, Caution		(V533510)		
* 480	V4278500	Blank Panel			8	07
500	VS863000	Bonding Screw	3.0X6 MFZN2BL		32	01

\*: New Parts

RANK: Japan only

REF.NO.	PART NO.	DESCRIPTION		REMARKS	QTY	RANK
520	CB835590	Holder	TMS-20		2	01
530	CB069250	Cord Holder	BK-1		2	01
540	VC362700	Ferrite Core	FR25/15/12-1400L		2	04
550	--	Connector Assembly	Earth #18	(V572480)		
560	VP156800	Bind Head Screw	A4.0X8 MFZN2BL		2	01
	V4789400	ACCESSORIES Cable, SCSI	DHK-HA2-3000			27

## SIDE PANEL ASSEMBLY

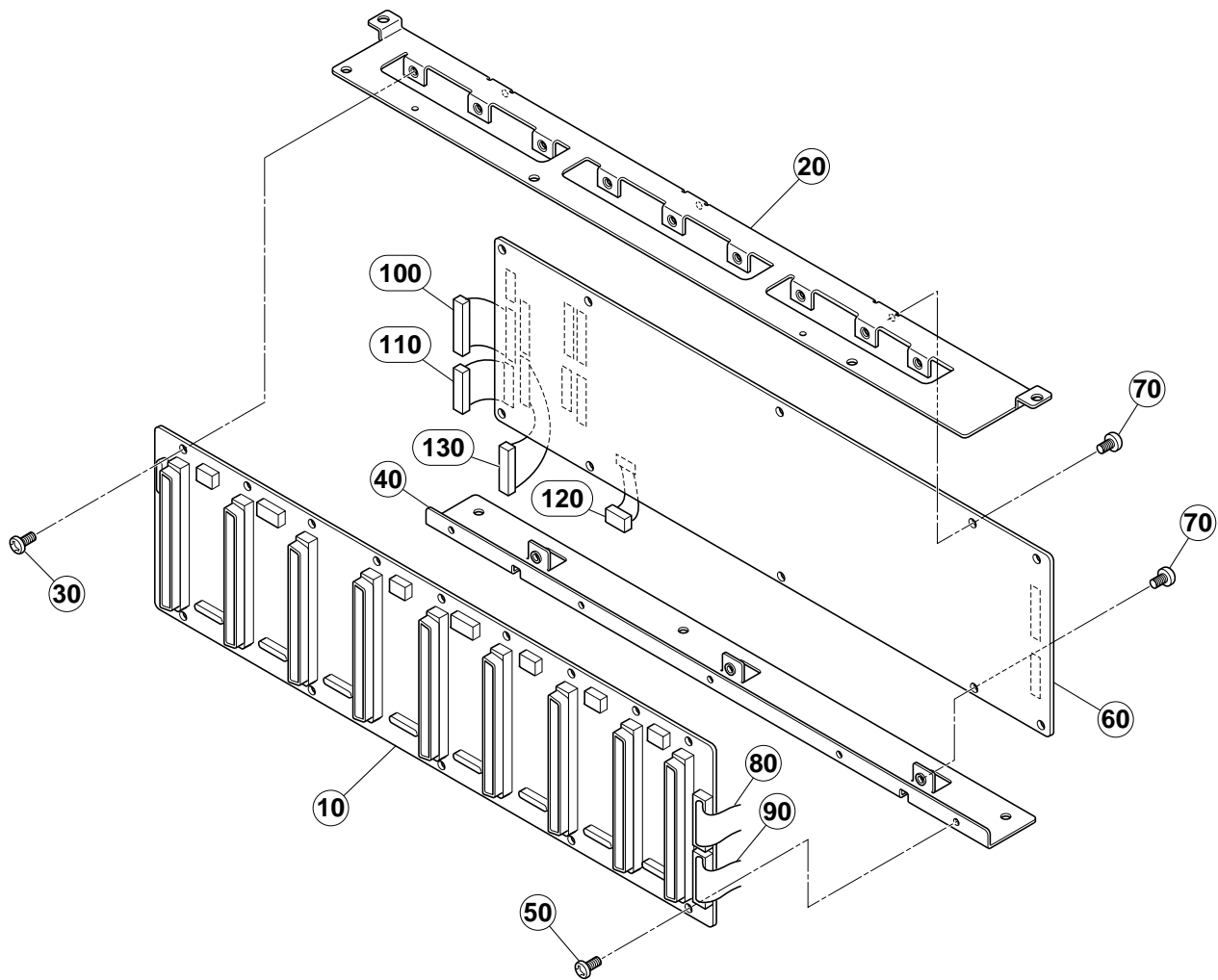


REF NO.	PART NO.	DESCRIPTION		REMARKS	QTY	RANK
		SIDE PANEL ASSEMBLY	RIGHT	AO8		
	--	Side Panel Assembly	RIGHT	J (V479360)		
	--	Side Panel Assembly	RIGHT	U,V (V479370)		
	--	Side Panel Assembly	RIGHT	H,W (V479380)		
	--	Side Panel Assembly	RIGHT	B (V479390)		
*	10	<b>V5302700</b>	Side Panel	RIGHT	J	12
*	10	<b>V5302800</b>	Side Panel	RIGHT	U,V	12
*	10	<b>V5302900</b>	Side Panel	RIGHT	H,B,W	12
△	20	<b>VS228900</b>	AC Cord Assembly	2P 15A	J	09
△	20	<b>VS229000</b>	AC Cord Assembly	3P 10A	U,V	10
△	20	<b>VS229100</b>	AC Cord Assembly	3P 6A	H,W	10
△	20	<b>VS229200</b>	AC Cord Assembly	3P 10A	B	11
	30	<b>CB806850</b>	Cord Strain Relief	SR-6N3-4	J	02
	30	<b>CB811230</b>	Cord Strain Relief	SR-6N-4	U,V	02
	30	<b>CB032840</b>	Cord Strain Relief	SR-5N-4	H,B,W	03
	40	<b>VP156800</b>	Bind Head Screw	A4.0X8 MFZN2BL	U,H,B,V,W	01
*	50	<b>V4794300</b>	DC Assembly		J,U,V	41
*	50	<b>V4794400</b>	DC Assembly		H,B,W	39
	60	<b>EG340290</b>	Bind Head Screw	A4.0X6 MFZN2BL		4
*	70	<b>V5099200</b>	Connector Assembly	PH-DC		01
	80	--	AC Assembly		J,U,V (V479470)	
	80	--	AC Assembly		H,B,W (V479480)	
*	80a	<b>V4648700</b>	Circuit Board	AO8 AC (AOCOM)		07
△	80b	<b>KB003620</b>	Fuse	4.00A JU	J,U,V	01
△	80b	<b>KB003090</b>	Fuse	3.15A S	H,B,W	01
	90	<b>VC688800</b>	Bind Head Tapping Screw-B	A4.0X8 MFZN2BL		3
	100	<b>VC362700</b>	Ferrite Core	FR25/15/12-1400L		04
	110	<b>CB069250</b>	Cord Holder	BK-1		01
*	120	<b>V4914300</b>	AC Shield Cover			03
	130	<b>VC688800</b>	Bind Head Tapping Screw-B	A4.0X8 MFZN2BL		01
*		<b>V4794300</b>	DC Assembly		J,U,V	41
*		<b>V4794400</b>	DC Assembly		H,B,W	39
*	D10	<b>V4914800</b>	Heat Sink	DC LOW		07
*	D20	<b>V4914900</b>	Heat Sink	DC UP		07
*	D30	<b>V4276400</b>	Isolation Sheet	DC		2
*	D40	<b>V4649000</b>	Circuit Board	AO8 DC (AOCOM)		30
*	D50	<b>V4276600</b>	Holder	TR		09
	D60	<b>EL200020</b>	Pan Head Screw	SP 4.0X8 MFZN2Y		4
*	D70	<b>V4914600</b>	Holder	BR		07
	D75	<b>CB817510</b>	Cord Binder	S-14B		3
	D80	<b>EL200020</b>	Pan Head Screw	SP 4.0X8 MFZN2Y		4
	D90	<b>EP600230</b>	Bind Head Tapping Screw-B	3.0X6 MFZN2BL		4
	D100	<b>CB817510</b>	Cord Binder	S-14B		03
△	FZ100	<b>VS823300</b>	Fuse	8.00A JU	J,U,V	02
△	FZ100	<b>KB003250</b>	Fuse	6.30A S	H,B,W	01
△	FZ200	<b>KB003630</b>	Fuse	5.00A JU	J,U,V	01
△	FZ200	<b>KB003100</b>	Fuse	4.00A S	H,B,W	01
△	FZ201	<b>KB003630</b>	Fuse	5.00A JU	J,U,V	01
△	FZ201	<b>KB003100</b>	Fuse	4.00A S	H,B,W	01
△	FZ300	<b>KB003630</b>	Fuse	5.00A JU	J,U,V	01
△	FZ300	<b>KB003100</b>	Fuse	4.00A S	H,B,W	01
△	FZ301	<b>KB003630</b>	Fuse	5.00A JU	J,U,V	01
△	FZ301	<b>KB003100</b>	Fuse	4.00A S	H,B,W	01

\*: New Parts

RANK: Japan only

**MOTHER ASSEMBLY**



REF NO.	PART NO.	DESCRIPTION		REMARKS	QTY	RANK
	--	MOTHER ASSEMBLY		AO8 (V479300)		
* 10	V4128800	Circuit Board	A18 UNC			21
* 20	V4278300	Support Metal	1			09
* 30	EP600230	Bind Head Tapping Screw-B	3.0X6 MFZN2BL		9	01
* 40	V4278100	Support Metal	2			07
50	EP600230	Bind Head Tapping Screw-B	3.0X6 MFZN2BL		5	01
* 60	V4130000	Circuit Board	AO8 IFC3			54
65	CB817510	Cord Binder	S-14B		2	03
70	EP600230	Bind Head Tapping Screw-B	3.0X6 MFZN2BL		6	01
80	--	Cable, FFC	P=1.25-K-20-80	(V508550)		
90	--	Cable, FFC	P=1.25-K-30-80	(V508560)		
100	--	Connector Assembly	PH&PH 13P 80 #28	(V508800)	4	
110	--	Connector Assembly	PH&PH 10P 80 #28	(V508810)	2	
120	--	Connector Assembly	PH&PH 5P 200L #28	(VN38360)		
130	--	Connector Assembly	PH&PH 12P 80 #28	(V508820)	2	

\*: New Parts

RANK: Japan only

## ELECTRICAL PARTS

REF NO.	PART NO.	DESCRIPTION		REMARKS	QTY	RANK
		ELECTRICAL PARTS		AO8		
*	V4648700	Circuit Board	AO8 AC (AOCOM)	(XW295B0)		07
*	V4649000	Circuit Board	AO8 DC (AOCOM)	(XW295B0)		30
*	V4649200	Circuit Board	AO8 DR (AOCOM)	(XW295B0)		07
*	V4913700	Circuit Board	AO8 PSB (AOCOM)	(XW295B0)		07
*	V4130200	Circuit Board	AO8 IPC2	(XW289A0)		27
*	V4130000	Circuit Board	AO8 IFC3	(XW287A0)		54
*	V4129300	Circuit Board	AO8 IPC4 (IPCOM)	(XW286B0)		14
*	V4913600	Circuit Board	AO8 LED2 (IPCPM)	(XW286B0)		08
*	V4128800	Circuit Board	A18 MB1	(XW282A0)		21
*	V4128700	Circuit Board	A18 UNC	(XW281B0)		31
*	V4648700	Circuit Board	AO8 AC (AOCOM)	(XW295B0)		07
*	V4649000	Circuit Board	AO8 DC (AOCOM)	(XW295B0)		30
*	V4649200	Circuit Board	AO8 DR (AOCOM)	(XW295B0)		07
*	V4913700	Circuit Board	AO8 PSB (AOCOM)	(XW295B0)		07
*	VH610100	Bind Head Screw	3.0X14 MFZN2BL			01
*	VR144900	Bonding Tapping Screw-B	3.0X6 MFZN2BL			
*	VA078900	Jumper Wire	0.55			
*	V4276300	AC Shield Metal				04
*	V4797200	Transistor Holder				07
*	VN057300	Heat Sink				08
*	V5101700	Insulation Sheet				01
C104	V4871100	Electrolytic Cap.	33000 16.0V			06
C106	UR838100	Electrolytic Cap.	100.00 16.0V			01
C108	UR838100	Electrolytic Cap.	100.00 16.0V			01
C110	UR838100	Electrolytic Cap.	100.00 16.0V			01
C112	UR838100	Electrolytic Cap.	100.00 16.0V			01
C204	V4871300	Electrolytic Cap.	22000 16			05
C205	V4871300	Electrolytic Cap.	22000 16			05
C208	UR838100	Electrolytic Cap.	100.00 16.0V			01
C209	UR838100	Electrolytic Cap.	100.00 16.0V			01
C212	UR838100	Electrolytic Cap.	100.00 16.0V			01
C213	UR838100	Electrolytic Cap.	100.00 16.0V			01
C216	UR838100	Electrolytic Cap.	100.00 16.0V			01
C217	UR838100	Electrolytic Cap.	100.00 16.0V			01
C304	VR499300	Electrolytic Cap.	4700 35.0V			05
C305	VR499300	Electrolytic Cap.	4700 35.0V			05
C308	UR848100	Electrolytic Cap.	100.00 25.0V			01
C309	UR848100	Electrolytic Cap.	100.00 25.0V			01
C312	UR848100	Electrolytic Cap.	100.00 25.0V			01
C313	UR848100	Electrolytic Cap.	100.00 25.0V			01
C400	V5170300	Capacitor	0.220 275V U.C.S			01
C500	UR838100	Electrolytic Cap.	100.00 16.0V			01
C501	UR848220	Electrolytic Cap.	220.00 25.0V			01
C503	UR838100	Electrolytic Cap.	100.00 16.0V			01
C600	V3311600	Capacitor-KH	0.010 250V J.U.C.S			01
	VS589000	Ceramic Capacitor-E	4700P 500V M			01
	FG644100	Ceramic Capacitor-F	0.0100 50V Z			01
	UA355100	Mylar Capacitor	0.1000 50V J			01
CN001	LB932050	Base Post Connector	VH 5P TE			01
CN002	LB932030	Base Post Connector	VH 3P TE			01
CN100	VE352600	Connector Base Post	PH-14P TE			01
CN101	VB390000	Connector Base Post	PH 4P TE			01
CN200	VB390200	Connector Base Post	PH 6P TE			01
CN201	VB390200	Connector Base Post	PH 6P TE			01
CN300	VB389800	Connector Base Post	PH 2P TE			01
CN301	VB390000	Connector Base Post	PH 4P TE			01
CN302	VB389800	Connector Base Post	PH 2P TE			01
CN303	VB390000	Connector Base Post	PH 4P TE			01
CN400	VG879900	Base Post Connector	VA 2P TE			01
CN401	LB933040	Base Post Connector	VH 4P SE			01
CN402	LB933030	Base Post Connector	VH 3P SE			01
CN500	VB858100	Connector Base Post	PH 2P SE			01
CN502	VB858200	Connector Base Post	PH 3P SE			01
CN600	LB933030	Base Post Connector	VH 3P SE			01
D100	VB481900	Diode	11ES4			01
-107	VB481900	Diode	11ES4			01
D200	VB481900	Diode	11ES4			01
-211	VB481900	Diode	11ES4			01

\*: New Parts

RANK: Japan only

REF NO.	PART NO.	DESCRIPTION		REMARKS	QTY	RANK
D300	VB481900	Diode	11ES4			01
-307	VB481900	Diode	11ES4			01
DB100	VM621400	Diode Stack	RBV-1506			05
DB200	VT682400	Diode Stack	D6SB60L 6.0A 600V			04
DB300	VT682400	Diode Stack	D6SB60L 6.0A 600V			04
EM100	FZ006970	LC Filter	LS MT Y223NB			02
-103	FZ006970	LC Filter	LS MT Y223NB			02
EM200	FZ006970	LC Filter	LS MT Y223NB			02
-205	FZ006970	LC Filter	LS MT Y223NB			02
EM300	FZ006920	LC Filter	LS MT B271KB			01
-303	FZ006920	LC Filter	LS MT B271KB			01
FZ100	VP206500	Fuse Holder	EYF-52BC			01
FZ200	VP206500	Fuse Holder	EYF-52BC			01
FZ201	VP206500	Fuse Holder	EYF-52BC			01
FZ300	VP206500	Fuse Holder	EYF-52BC			01
FZ301	VP206500	Fuse Holder	EYF-52BC			01
FZ400	VP206500	Fuse Holder	EYF-52BC			01
FZ500	VG297000	IC Protector	ICP-F20			02
IC100	XH672A00	IC	PQ05RF2	REGULATOR +5V 2A		04
-102	XH672A00	IC	PQ05RF2	REGULATOR +5V 2A		04
* IC103	XW196A00	IC	UPC2933HF	REGULATOR +3.3V		03
IC200	XR607A00	IC	UPC2405AHF	REGULATOR +5V		04
IC201	XK309A00	IC	NJM7905FA	REGULATOR -5V		03
IC202	XR607A00	IC	UPC2405AHF	REGULATOR +5V		04
IC203	XK309A00	IC	NJM7905FA	REGULATOR -5V		03
IC204	XR607A00	IC	UPC2405AHF	REGULATOR +5V		04
IC205	XK309A00	IC	NJM7905FA	REGULATOR -5V		03
IC300	XR608A00	IC	UPC2415AHF	REGULATOR +15V		04
IC301	XD854A00	IC	NJM7915FA	REGULATOR -15V		03
IC302	XR608A00	IC	UPC2415AHF	REGULATOR +15V		04
IC303	XD854A00	IC	NJM7915FA	REGULATOR -15V		03
IC304	XD631A00	IC	PST518B-TP	SYSTEM RESET		02
K700	BB069510	Land Terminal	A-8			01
-703	BB069510	Land Terminal	A-8			01
* L400	V4122100	Line Filter	PLH10A7003R6P02			02
R502	VC757100	Metal Oxide Film Resistor	22.0 2W J			01
R504	VC740100	Metal Oxide Film Resistor	1.0 1W J			01
	HF456330	Carbon Resistor	3.3K 1/4 J			01
	HF456470	Carbon Resistor	4.7K 1/4 J			01
	HF457100	Carbon Resistor	10.0K 1/4 J			01
△ SW600	V3127000	Push Switch	ESB92S23B J.U.C.S	POWER ON/OFF		02
TR300	IA101590	Transistor	2SA1015 O,Y			01
TR500	IB059600	Transistor	2SB596LBB O,Y			04
TR501	IC1815M0	Transistor	2SC1815 Y,GR			01
TR502	IC1815M0	Transistor	2SC1815 Y,GR			01
ZD500	VQ554100	Zener Diode	MTZJ7.5A 7.5V			01
* C108	V4130200	Circuit Board	AO8 IPC2	(XW289A0)		27
	UF038100	Electrolytic Cap. (chip)	100 16V			01
	UB245100	Monolithic Ceramic Cap.	F 0.100 25V Z			01
* CN100	V4158600	Connector	230R(SCSI) 68P SE	INPUT A/B		06
CN101	VF283100	Connector Base Post	PH 13P TE			01
CN102	VF283100	Connector Base Post	PH 13P TE			01
CN103	VB390600	Connector Base Post	PH 10P TE			01
CN104	VB390800	Connector Base Post	PH 12P TE			01
DA100	VV556300	Diode Array	DAN217 0.3A X2			01
-156	VV556300	Diode Array	DAN217 0.3A X2			01
EM100	VL534100	LC Filter	NFA81R00C101			05
-102	VL534100	LC Filter	NFA81R00C101			05
EM104	VL534100	LC Filter	NFA81R00C101			05
-106	VL534100	LC Filter	NFA81R00C101			05
EM108	FZ006970	LC Filter	LS MT Y223NB			02
IC100	XU815A00	IC	DS26C32ATMX	LINE RECEIVER		06
-103	XU815A00	IC	DS26C32ATMX	LINE RECEIVER		06
IC104	XT487A00	IC	TC74VHC245F	TRANSCEIVER		03
IC105	XT487A00	IC	TC74VHC245F	TRANSCEIVER		03
IC106	XU815A00	IC	DS26C32ATMX	LINE RECEIVER		06
IC107	XU996A00	IC	AM26LS31CNSR	LINE DRIVER		05
RA100	RE047100	Resistor Array	10KX4			01
-103	RE047100	Resistor Array	10KX4			01

\*: New Parts

RANK: Japan only

REF NO.	PART NO.	DESCRIPTION		REMARKS	QTY	RANK
	RD254100	Carbon Resistor (chip)	10.0 0.1 J			01
	RD255150	Carbon Resistor (chip)	150.0 0.1 J			01
	RD256100	Carbon Resistor (chip)	1.0K 0.1 J			01
	RD257100	Carbon Resistor (chip)	10.0K 0.1 J			01
	RD257220	Carbon Resistor (chip)	22.0K 0.1 J			01
	RD257470	Carbon Resistor (chip)	47.0K 0.1 J			01
*	V4130000	Circuit Board	AO8 IFC3	(XW287A0)		54
C112	UF038100	Electrolytic Cap. (chip)	100 16V			01
C116	UF017220	Electrolytic Cap. (chip)	22 6.3V			01
C118	UF038100	Electrolytic Cap. (chip)	100 16V			01
C304	UF037470	Electrolytic Cap. (chip)	47 16V			01
-306	UF037470	Electrolytic Cap. (chip)	47 16V			01
C404	UF037470	Electrolytic Cap. (chip)	47 16V			01
-406	UF037470	Electrolytic Cap. (chip)	47 16V			01
	UB051220	Monolithic Ceramic Cap.	SL 22P 50V J			01
	UB245100	Monolithic Ceramic Cap.	F 0.100 25V Z			01
	UB245220	Monolithic Ceramic Cap.	F 0.220 25V Z			01
	UB445330	Monolithic Ceramic Cap.	F 0.330 16V Z			01
	VR327300	Mylar Capacitor (chip)	0.0820 16V J			01
CN101	VQ045900	Connector, FFC	52044 30P SE			02
CN102	VQ045000	Connector, FFC	52044 20P SE			01
CN103	VE352600	Connector Base Post	PH-14P TE			01
CN104	VB390200	Connector Base Post	PH 6P TE			01
CN105	VF728300	Wire Trap	52147 6P TE			01
CN106	VB390100	Connector Base Post	PH 5P TE			01
CN201	VB390600	Connector Base Post	PH 10P TE			01
CN401	VK025200	Wire Trap	52147 8P TE			01
-408	VK025200	Wire Trap	52147 8P TE			01
CN601	VF283100	Connector Base Post	PH 13P TE			01
CN602	VF283100	Connector Base Post	PH 13P TE			01
CN603	VB390600	Connector Base Post	PH 10P TE			01
CN604	VB390800	Connector Base Post	PH 12P TE			01
CN605	VF283100	Connector Base Post	PH 13P TE			01
CN606	VF283100	Connector Base Post	PH 13P TE			01
CN607	VB390600	Connector Base Post	PH 10P TE			01
CN608	VB390800	Connector Base Post	PH 12P TE			01
EM101	FZ006970	LC Filter	LS MT Y223NB			02
EM102	FZ006970	LC Filter	LS MT Y223NB			02
IC101	XT487A00	IC	TC74VHC245F	TRANSCEIVER		03
-103	XT487A00	IC	TC74VHC245F	TRANSCEIVER		03
* IC104	IS000800	IC	HD74LV08AFPEL	AND		01
* IC105	XY102A00	IC	HD74LVU04AFPEL	INVERTER		01
IC106	XT487A00	IC	TC74VHC245F	TRANSCEIVER		03
IC107	XT487A00	IC	TC74VHC245F	TRANSCEIVER		03
* IC108	XY094A00	IC	LT1118CST-2.5	REGULATOR		08
* IC201	XW239A00	IC	EPC1PC8	EPROM 1M		09
* IC202	XY089A00	IC	EPF10K30EQC208-3	FPGA		22
* IC202	XY217A00	IC	EPF10K50EQC208	FPGA		25
IC301	XG948E00	IC	YM3436DK	DIR2		11
-303	XG948E00	IC	YM3436DK	DIR2		11
* IC309	XW422A00	IC	M51953AFP	SYSTEM RESET		01
* IC310	IS000800	IC	HD74LV08AFPEL	AND		01
* IC311	IS000400	IC	HD74LV04AFPEL	INVERTER		01
IC401	XG948E00	IC	YM3436DK	DIR2		11
-403	XG948E00	IC	YM3436DK	DIR2		11
IC404	XT487A00	IC	TC74VHC245F	TRANSCEIVER		03
-407	XT487A00	IC	TC74VHC245F	TRANSCEIVER		03
* IC408	IS000400	IC	HD74LV04AFPEL	INVERTER		01
* IC409	IS000800	IC	HD74LV08AFPEL	AND		01
* IC410	XW422A00	IC	M51953AFP	SYSTEM RESET		01
* -412	XW422A00	IC	M51953AFP	SYSTEM RESET		01
IC501	XU235A00	IC	SGH609080F-47F	ATSC		10
-504	XU235A00	IC	SGH609080F-47F	ATSC		10
IC601	XT487A00	IC	TC74VHC245F	TRANSCEIVER		03
-608	XT487A00	IC	TC74VHC245F	TRANSCEIVER		03
L101	VS740100	Chip Inductance	BLM21B751S 2125			03
-124	VS740100	Chip Inductance	BLM21B751S 2125			03
L301	GE300610	Ferrite Bead	BL02RN1-R62T4			01
-303	GE300610	Ferrite Bead	BL02RN1-R62T4			01

\*: New Parts

RANK: Japan only

REF NO.	PART NO.	DESCRIPTION		REMARKS	QTY	RANK
L401	GE300610	Ferrite Bead	BL02RN1-R62T4			01
-403	GE300610	Ferrite Bead	BL02RN1-R62T4			01
RA101	RE048100	Resistor Array	100KX4			01
RA102	RE048100	Resistor Array	100KX4			01
RA103	RE047100	Resistor Array	10KX4			01
RA104	RE048100	Resistor Array	100KX4			01
RA105	RE048100	Resistor Array	100KX4			01
RA106	RE047100	Resistor Array	10KX4			01
-110	RE047100	Resistor Array	10KX4			01
RA601	RE047100	Resistor Array	10KX4			01
-612	RE047100	Resistor Array	10KX4			01
* SC201	VV047100	IC Socket	DICF-8CS-E			01
TA101	VQ248400	Transistor Array	TD62783AF			04
TA102	VQ248500	Transistor Array	TD62381F			04
X101	VZ568200	Quartz Crystal Unit	22.5792MHz DSO751S			06
X102	VZ568300	Quartz Crystal Unit	24.576MHz DSO751S			06
X103	VI927300	Quartz Crystal Unit	20.0000MHz AT-49			03
	RD154270	Carbon Resistor (chip)	27.0 1/4 J			01
	RD254470	Carbon Resistor (chip)	47.0 0.1 J			01
	RD255100	Carbon Resistor (chip)	100.0 0.1 J			01
	RD155330	Carbon Resistor (chip)	330.0 1/4 J			01
	RD255470	Carbon Resistor (chip)	470.0 0.1 J			01
*	VV375100	Carbon Resistor (chip)	750.0 0.1 D			01
	RD256100	Carbon Resistor (chip)	1.0K 0.1 J			01
	VV315200	Carbon Resistor (chip)	1.5K 0.1 D			01
*	VV320200	Carbon Resistor (chip)	2.0K 0.1 D			01
	RD256330	Carbon Resistor (chip)	3.3K 0.1 J			01
*	VV333200	Carbon Resistor (chip)	3.3K 0.1 D			01
	RD257100	Carbon Resistor (chip)	10.0K 0.1 J			01
	RD258100	Carbon Resistor (chip)	100.0K 0.1 J			01
	RD259100	Carbon Resistor (chip)	1.0M 0.1 J			01
*	V4129300	Circuit Board	AO8 IPC4 (IPCOM)	(XW286B0)		14
*	V4913600	Circuit Board	AO8 LED2 (IPCOM)	(XW286B0)		08
C304	UR838100	Electrolytic Cap.	100.00 16.0V			01
	FG651330	Ceramic Capacitor-SL	33P 50V J			01
	FG652100	Ceramic Capacitor-SL	100P 50V J			01
	VT439600	Monolithic Ceramic Cap.	0.100 50V Z			01
CN100	VE352600	Connector Base Post	PH-14P TE			01
CN300	VB390100	Connector Base Post	PH 5P TE			01
D300	VB941200	Diode	1SS133,1SS176			01
-303	VB941200	Diode	1SS133,1SS176			01
EM300	FZ006920	LC Filter	LS MT B271KB			01
EM301	FZ006920	LC Filter	LS MT B271KB			01
EM302	FZ006970	LC Filter	LS MT Y223NB			02
IC300	XE737A00	IC	SN75124N	LINE RECEIVER		05
IC301	XE683A00	IC	SN75121	LINE DRIVER		05
JK300	VI552200	BNC Connector	YKS11-0 1P	WORD CLOCK IN		05
JK301	VI552200	BNC Connector	YKS11-0 1P	WORD CLOCK OUT		05
K300	VI474400	Terminal Plate				01
K301	VI474400	Terminal Plate				01
* LD100	V4078200	LED Display	LNM423AS01	UNIT NO.		06
* SP100	V4411600	Spacer	7 SEG. 2S			01
SW1	VG837400	Slide Switch	SSSB04	INPUT SELECTOR		03
SW300	VQ907900	Slide Switch	SSSU112-S06N-1	WORD CLOCK 75ohm OFF/ON		01
	HF753470	Carbon Resistor	4.7 1/4 J			01
	HF754470	Carbon Resistor	47.0 1/4 J			01
	HF754750	Carbon Resistor	75.0 1/4 J			01
	HF756220	Carbon Resistor	2.2K 1/4 J			01
*	V4128800	Circuit Board	A18 MB1	(XW282A0)		21
CN101	VU328200	Plug	PHEC 100P TE	SLOT 1-8,UNC Card		05
-109	VU328200	Plug	PHEC 100P TE			05
CN110	VI878600	Cable Holder	51048 8P TE			01
-117	VI878600	Cable Holder	51048 8P TE			01
CN118	VI878400	Cable Holder	51048 6P TE			01
CN119	VQ045900	Connector, FFC	52044 30P SE			02
CN120	VQ045000	Connector, FFC	52044 20P SE			01
CN121	VB858300	Connector Base Post	PH 4P SE			01
CN122	VB858500	Connector Base Post	PH 6P SE			01

\*: New Parts

RANK: Japan only



REF NO.	PART NO.	DESCRIPTION		REMARKS	QTY	RANK
CN123	VB858300	Connector Base Post	PH 4P SE			01
CN124	VB858500	Connector Base Post	PH 6P SE			01
CN125	VB858300	Connector Base Post	PH 4P SE			01
CN126	VB858300	Connector Base Post	PH 4P SE			01
CN127	VB858400	Connector Base Post	PH 5P SE			01
W110	--	Ribbon Cable	P=2.0 #26 8P 140L	(V507960)		
-117	--	Ribbon Cable	P=2.0 #26 8P 140L	(V507960)		
W118	--	Ribbon Cable	P=2.0 #26 6P 140L	(V510880)		
				(XW281B0)		
* C218	V4128700	Circuit Board	A18 UNC			31
	UF038100	Electrolytic Cap. (chip)	100 16V			01
	FG652120	Ceramic Capacitor	120P 50V K			01
	FG612560	Ceramic Capacitor	560P 50V K			01
	UB012470	Monolithic Ceramic Cap.	B 470P 50V K			01
	UB245100	Monolithic Ceramic Cap.	F 0.100 25V Z			01
CN101	VB390100	Connector Base Post	PH 5P TE			01
CN202	VT640300	Receptacle	PHEC 100P SE			04
EM201	FZ006970	LC Filter	LS MT Y223NB			02
* IC101	XY715A00	IC	PM1D42 V1.01	CPU		10
IC102	XT487A00	IC	TC74VHC245F	TRANSCEIVER		03
IC103	XP226A00	IC	IC-PST591DMT	SYSTEM RESET		03
* IC104	IS000800	IC	HD74LV08AFPEL	AND		01
* IC105	IS000400	IC	HD74LV04AFPEL	INVERTER		01
* IC201	XV685A00	IC	MBM29F400BC-70PFTN	FLASH ROM 4M		11
IC203	XV729A00	IC	IDT71016S15Y-TR	RAM 1M		09
IC204	XT487A00	IC	TC74VHC245F	TRANSCEIVER		03
-210	XT487A00	IC	TC74VHC245F	TRANSCEIVER		03
* IC211	IS013810	IC	SN74LV138ANSR	DECODER		01
* IC212	IS013810	IC	SN74LV138ANSR	DECODER		01
* IC213	IS000800	IC	HD74LV08AFPEL	AND		01
K201	VI474400	Terminal Plate				01
K202	VI474400	Terminal Plate				01
* LD101	V3990300	LED (chip)	TLSU1008 RE	FOR TEST		01
RA101	RE047100	Resistor Array	10KX4			01
-120	RE047100	Resistor Array	10KX4			01
RA202	RE048100	Resistor Array	100KX4			01
-212	RE048100	Resistor Array	100KX4			01
SW102	VQ949900	Switch	SSGM18151A	FUNCTION		03
* X101	V3990700	Ceramic Resonator	SCSTCC7.16MG0H6-TC			01
	RD250000	Carbon Resistor (chip)	0.0 0.0 J			01
	RD255220	Carbon Resistor (chip)	220.0 0.1 J			01
	RD256300	Carbon Resistor (chip)	3.0K 0.1 J			01
	RD257100	Carbon Resistor (chip)	10.0K 0.1 J			01
△*	XW261A00	Power Transformer		J		17
△*	XW262A00	Power Transformer		U,V		18
△*	XW263B00	Power Transformer		H,B,W		17
*	V5789100	Motor	DC KDE1208PTS3-6	Fan		09
△	VS228900	AC Cord Assembly	2P 15A	J		09
△	VS229000	AC Cord Assembly	3P 10A	U,V		10
△	VS229100	AC Cord Assembly	3P 6A	H,W		10
△	VS229200	AC Cord Assembly	3P 10A	B		11
△	FZ400	Fuse	4.00A JU	J,U,V		01
△	FZ400	Fuse	3.15A S	H,B,W		01
△	FZ100	Fuse	8.00A JU	J,U,V		02
△	FZ100	Fuse	6.30A S	H,B,W		01
△	FZ200	Fuse	5.00A JU	J,U,V		01
△	FZ200	Fuse	4.00A S	H,B,W		01
△	FZ201	Fuse	5.00A JU	J,U,V		01
△	FZ201	Fuse	4.00A S	H,B,W		01
△	FZ300	Fuse	5.00A JU	J,U,V		01
△	FZ300	Fuse	4.00A S	H,B,W		01
△	FZ301	Fuse	5.00A JU	J,U,V		01
△	FZ301	Fuse	4.00A S	H,B,W		01

\*: New Parts

RANK: Japan only