

ELECTRIC BASS

BB604/BB605

SERVICE MANUAL



BB 605

WARNING : CHEMICAL CONTENT NOTICE!

The solder used in the production of this product contains LEAD. In addition, other electrical/electronic and/or plastic (Where applicable) components may also contain traces of chemicals found by the California Health and Welfare Agency (and possibly other entities) to cause cancer and/or birth defects or other reproductive harm.

DO NOT PLACE SOLDER, ELECTRICAL/ELECTRONIC OR PLASTIC COMPONENTS IN YOUR MOUTH FOR ANY REASON WHAT SO EVER!

Avoid prolonged, unprotected contact between solder and your skin! When soldering, do not inhale solder fumes or expose eyes to solder/flux vapor!

If you come in contact with solder or components located inside the enclosure of this product, wash your hands before handling food.

■ CONTENTS

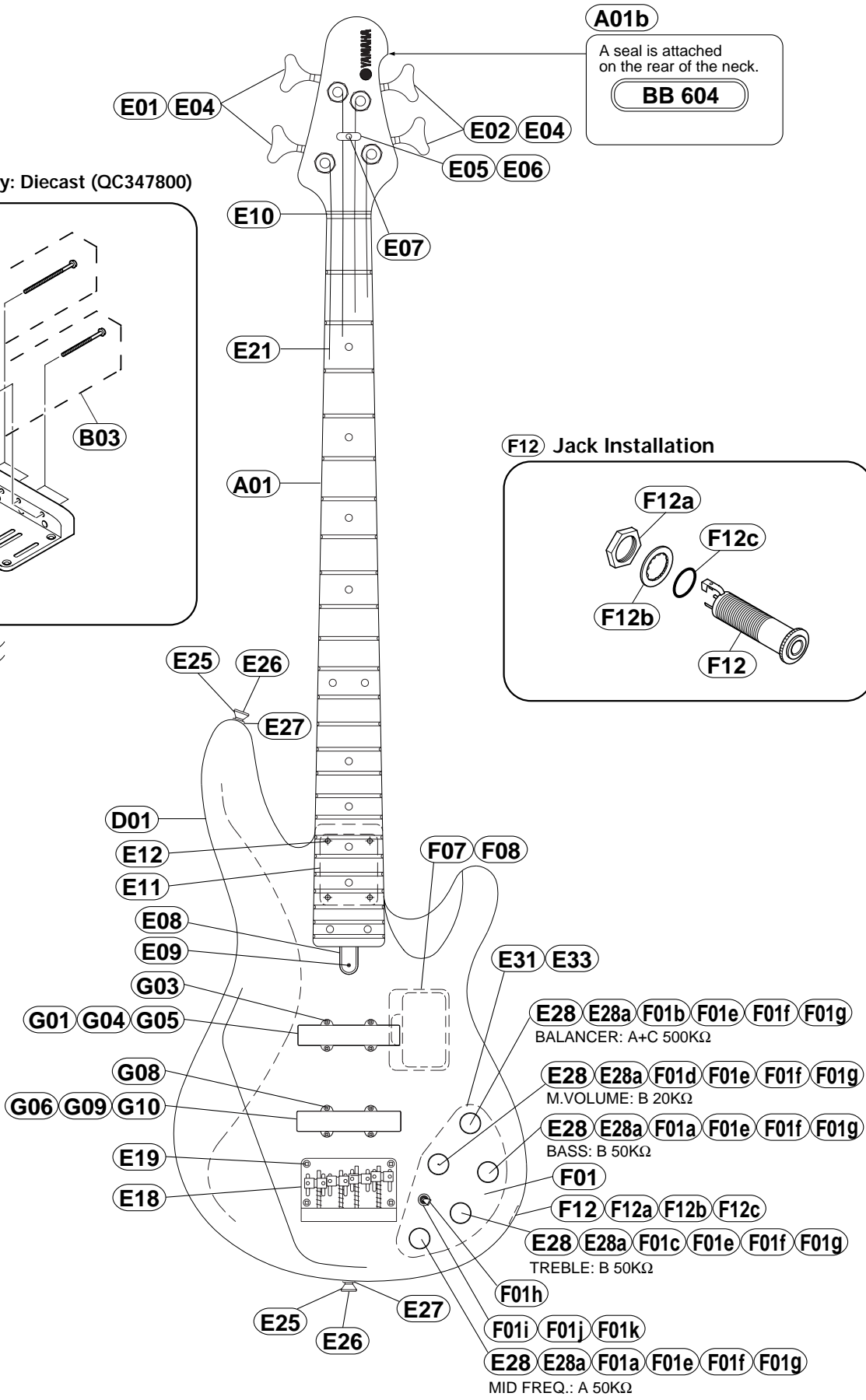
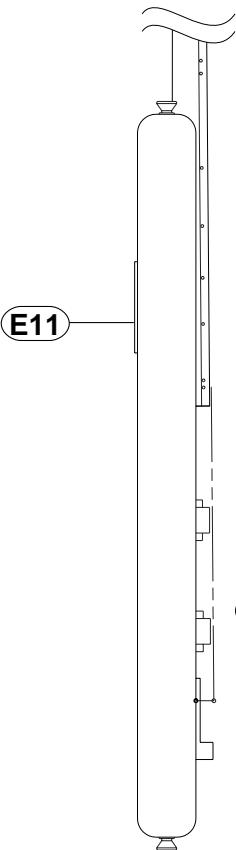
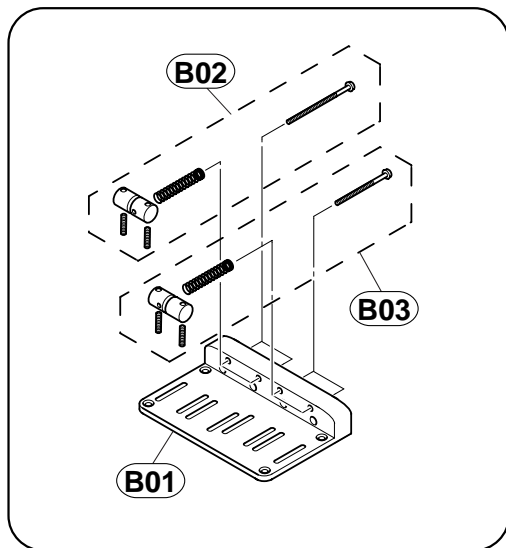
OVERALL ASSEMBLY	2
ELECTRICAL PARTS	6
CIRCUIT BOARD	7
CIRCUIT DIAGRAM	8
WIRING	8
SPECIFICATIONS	9

This document is printed on chlorine free (ECF) paper with soy ink.

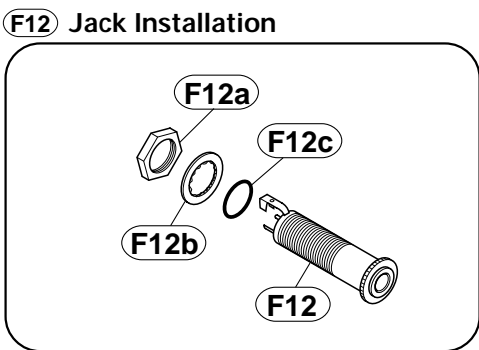
OVERALL ASSEMBLY

• BB604

E18 Bridge Assembly: Diecast (QC347800)



A01b
A seal is attached on the rear of the neck.
BB 604



● BB604

REF NO.	PART NO.	DESCRIPTION		REMARKS	QTY	RANK
		OVERALL ASSEMBLY		BB604		
* A01	AA333700	Neck Assembly		YNS		
* A01	AA333710	Neck Assembly		WR		
* A01	AA333720	Neck Assembly		BL		
A01b	--	Seal		(QC67600)		
D01	--	Body				
E01	QC336300	Tuning Machine Assembly	RM1243 (Gold)		2	09
E02	QC336400	Tuning Machine Assembly	RM1243L (Gold)		2	09
E04	03704070	Round Head Wood Screw	2.4X10 (Gold)		4	02
E05	VB518400	String Guide	Gold			05
E06	VJ382000	Spacer	Black			01
E07	03706320	Oval Head Wood Screw	2.7X20 (Gold)			
E08	CB821460	Rod Cover	Black			03
E09	03706220	Oval Head Wood Screw	2.1X10 FCM3BL	Black		01
E10	CB821090	Nut	Urea 40mm (Ivory)			07
E11	AA819960	Neck Plate	Square (Gold)			05
E12	EN240050	Oval Head Tapping Screw	4.0X45 (Gold)		4	
E18	QC347800	Bridge Assembly	Diecast (Gold)			11
E19	EN230130	Oval Head Tapping Screw	3.0X25 (Gold)		4	
E21	--	Strings	H4030	1set (QC35100)		
E25	BB802460	Strap Button	ST-type (Gold)		2	02
E26	EN230130	Oval Head Tapping Screw	3.0X25 (Gold)		2	
E27	VB793700	Spacer	Felt (Black)		2	01
E28	QC032200	Knob Assembly	VK-3 H=16.5 (Gold)	BAL,VOL,BASS,TREBLE,M-FQ	5	06
E28a	--	Set Screw	4.0X6 (Gold)		5	
* E31	QC677100	Back Cover	Electrical (Black)			
E33	EB620020	Oval Head Wood Screw	2.7X13 FCM3BL	Black	5	03
F01	--	Electrical Unit		(QC67160)		
* F01a	QC671500	Circuit Board		1set		
F01b	QC259400	Variable Resistor	500K ohm A+CC	BALANCER		05
* F01c	QC672100	Variable Resistor	50K ohm B CC	TREBLE		
F01d	QC259500	Variable Resistor	20K ohm B	M.VOLUME		04
F01e	--	Hexagonal Nut		with Volume	5	
F01f	--	Flat Washer		with Volume	5	
F01g	--	Toothed Lock Washer		with Volume	5	
* F01h	QC677900	Toggle Switch	ON-ON (Black)	MID FREQ.(ON-OFF)		
F01i	--	Toothed Lock Washer		with Toggle Switch		
F01j	--	Flat Washer		with Toggle Switch		
F01k	--	Hexagonal Nut		with Toggle Switch		
F07	QA223300	Box for Dry Cell				04
F08	QC025000	Pan Head Tapping Screw	3.0X8 FCM3BL	Black	2	
F12	QA209900	Jack	Gold			07
F12a	--	Hexagonal Nut				
F12b	--	Toothed Lock Washer				
F12c	--	Rubber Ring				
* G01	QC670100	Pickup Assembly	S/C KPBO (Black)	FRONT		
G03	VJ388800	Pan Head Tapping Screw	2.6X35 FCM3BL	Black	4	02
G04	CB815450	Pickup Cushion	85X17X15			02
G05	EA620060	Round Head Wood Screw	2.7X13 FCM33G	for Earth Lug (Chrome)		03
* G06	QC670200	Pickup Assembly	S/C KPBO (Black)	REAR		
G08	VJ388800	Pan Head Tapping Screw	2.6X35 FCM3BL	Black	4	02
G09	CB815450	Pickup Cushion	85X17X15			02
G10	EA620060	Round Head Wood Screw	2.7X13 FCM33G	for Earth Lug (Chrome)		03
H01	QC354000	Accessory Unit	G-1	1set		07
	QA262600	Cord	D			05
	--	Wrench	#1.5			
	--	Wrench	#5			
B01	QC347800	Bridge Assembly	Diecast (Gold)			11
B02	QC348000	Bridge Base	Gold			07
B02	NX818360	Bridge Piece Assembly	1,2 (Gold)	1,2 Strings	2	05
B03	NX818370	Bridge Piece Assembly	3,4 (Gold)	3,4 Strings	2	05

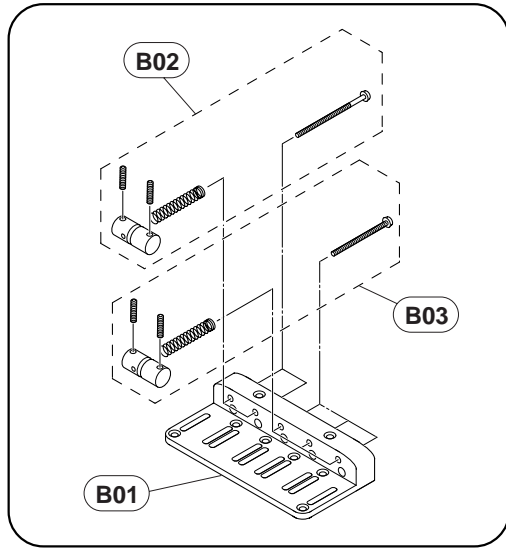
*: New Parts

RANK: Japan only

OVERALL ASSEMBLY

• BB605

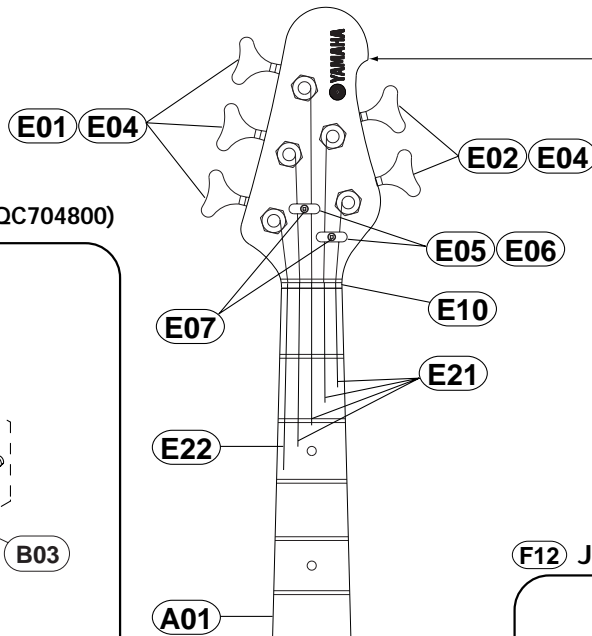
E18 Bridge Assembly: Diecast (QC704800)



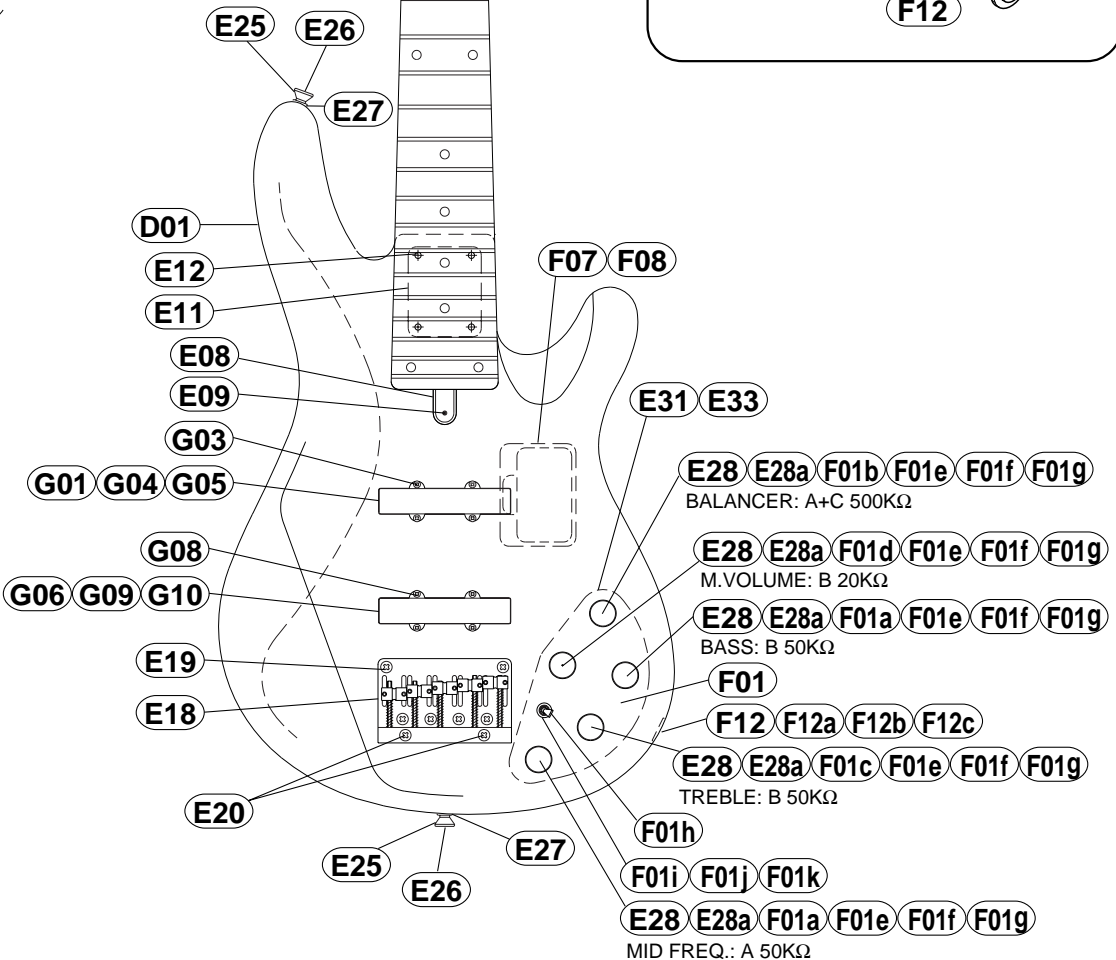
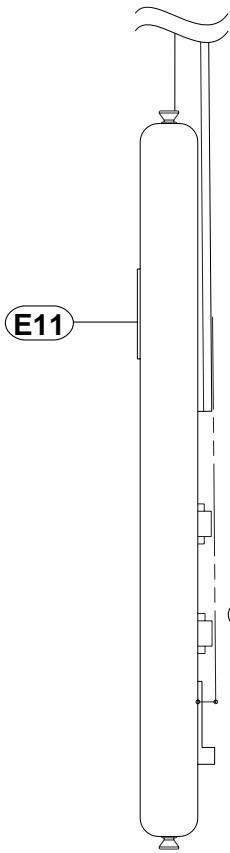
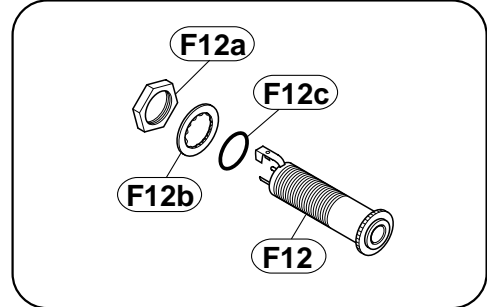
A01b

A seal is attached on the rear of the neck.

BB 605



F12 Jack Installation



● BB605

REF NO.	PART NO.	DESCRIPTION		REMARKS	QTY	RANK
		OVERALL ASSEMBLY		BB605		
* A01	AA333730	Neck Assembly		YNS		
* A01	AA333740	Neck Assembly		WR		
* A01	AA333750	Neck Assembly		BL		
A01b	--	Seal		(QC67590)		
D01	--	Body				
E01	QC336300	Tuning Machine Assembly	RM1243 (Gold)		3	09
E02	QC336400	Tuning Machine Assembly	RM1243L (Gold)		2	09
E04	03704070	Round Head Wood Screw	2.4X10 (Gold)		5	02
E05	VB518400	String Guide	Gold		2	05
E06	VJ382000	Spacer	Black		2	01
E07	03706320	Oval Head Wood Screw	2.7X20 (Gold)		2	
E08	CB821460	Rod Cover	Black			03
E09	03706220	Oval Head Wood Screw	2.1X10 FCM3BL	Black		01
E10	QC411200	Nut	Urea 43mm (Ivory)			
E11	AA819960	Neck Plate	Square (Gold)			05
E12	EN240050	Oval Head Tapping Screw	4.0X45 (Gold)		4	
E18	QC704800	Bridge Assembly	Diecast (Gold)			
E19	QC706700	Oval Head Tapping Screw	4.0X25 (Gold)		6	
E20	VD763000	Oval Head Tapping Screw	4.0X40 (Gold)		2	
E21	--	Strings	H4030	1set(4pcs) (AA80931)		
E22	--	Strings	H4055 Low-B	(QB00400)		
E25	BB802460	Strap Button	ST-type (Gold)		2	02
E26	EN230130	Oval Head Tapping Screw	3.0X25 (Gold)		2	
E27	VB793700	Spacer	Felt (Black)		2	01
E28	QC032200	Knob Assembly	VK-3 H=16.5 (Gold)	BAL,VOL,BASS,TREBLE,M-FQ	5	06
E28a	--	Set Screw	4.0X6 (Gold)		5	
E31	QC677100	Back Cover	Electrical (Black)			
E33	EB620020	Oval Head Wood Screw	2.7X13 FCM3BL	Black	5	03
F01	--	Electrical Unit		(QC67160)		
* F01a	QC671500	Circuit Board		1set		
F01b	QC259400	Variable Resistor	500K ohm A+C CC	BALANCER		05
* F01c	QC672100	Variable Resistor	50K ohm B CC	TREBLE		
F01d	QC259500	Variable Resistor	20K ohm B	M.VOLUME		04
F01e	--	Hexagonal Nut		with Volume	5	
F01f	--	Flat Washer		with Volume	5	
F01g	--	Toothed Lock Washer		with Volume	5	
* F01h	QC677900	Toggle Switch	ON-ON (Black)	MID FREQ.(ON-OFF)		
F01i	--	Toothed Lock Washer		with Toggle Switch		
F01j	--	Flat Washer		with Toggle Switch		
F01k	--	Hexagonal Nut		with Toggle Switch		
F07	QA223300	Box for Dry Cell				04
F08	QC025000	Pan Head Tapping Screw	3.0X8 FCM3BL	Black	2	
F12	QA209900	Jack	Gold			07
F12a	--	Hexagonal Nut				
F12b	--	Toothed Lock Washer				
F12c	--	Rubber Ring				
* G01	QC669900	Pickup Assembly	S/C KPBO (Black)	FRONT		
G03	VJ388800	Pan Head Tapping Screw	2.6X35 FCM3BL	Black	4	02
G04	CB815450	Pickup Cushion	85X17X15			02
G05	EA620060	Round Head Wood Screw	2.7X13 FCM33G	for Earth Lug (Chrome)		03
* G06	QC670000	Pickup Assembly	S/C KPBO (Black)	REAR		
G08	VJ388800	Pan Head Tapping Screw	2.6X35 FCM3BL	Black	4	02
G09	CB815450	Pickup Cushion	85X17X15			02
G10	EA620060	Round Head Wood Screw	2.7X13 FCM33G	for Earth Lug (Chrome)		03
H01	QC354000	Accessory Unit	G-1	1set		07
	QA262600	Cord	D			05
	--	Wrench	#1.5			
	--	Wrench	#5			
* B01	QC704800	Bridge Assembly	Diecast (Gold)			
* B01	QC705000	Bridge Base	Gold			
* B02	AA333760	Bridge Piece Assembly	1,2 (Gold)	1,2 Strings	2	
* B03	AA333770	Bridge Piece Assembly	3,4,5 (Gold)	3,4,5 Strings	3	

*: New Parts

RANK: Japan only

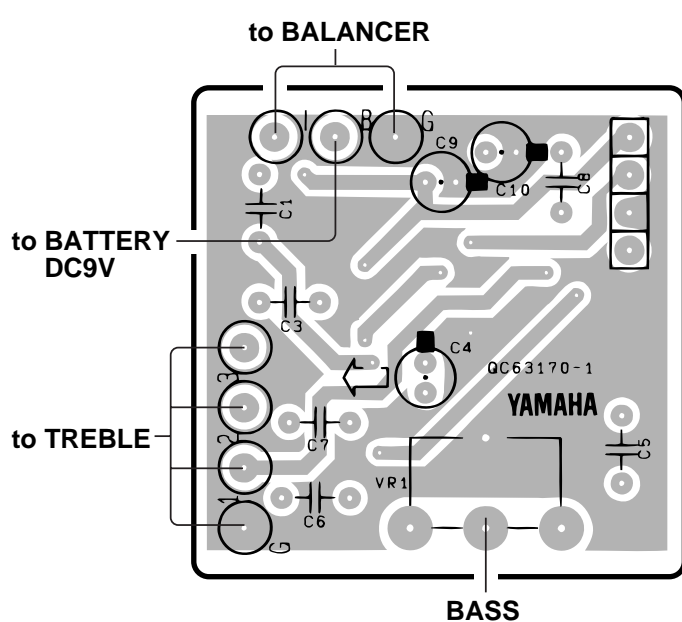
ELECTRICAL PARTS

REF NO.	PART NO.	DESCRIPTION		REMARKS	QTY	RANK
		ELECTRICAL PARTS		BB604/BB605		
*	QC671500	Circuit Board		1set (QC63170)		
*	QC671500	Circuit Board		1set (QC63170)		
	--	Jumper Wire	L=130mmX4	(QC67200)		
C01	UA154470	Mylar Capacitor	0.047uF 50V			01
C02	UB051470	Ceramic Capacitor (chip)	47pF 50V J			01
C03	UA153680	Mylar Capacitor	6800pF			01
C04	UI166100	Electrolytic Cap.	1uF 50V			01
C05	UA154680	Mylar Capacitor	0.068uF			02
C06	UA154680	Mylar Capacitor	0.068uF			02
C07	UA153560	Mylar Capacitor	5600pF 50V			
C08	UA153220	Mylar Capacitor	2200pF 50V			01
C09	UI337100	Electrolytic Cap.	10uF 16V			01
C10	UI337100	Electrolytic Cap.	10uF 16V			01
C11	UA155100	Mylar Capacitor	0.1uF 50V			01
C12	UI337100	Electrolytic Cap.	10uF 16V			01
*	C13	AA333780	Electrolytic Cap.-BP	1uF 50V		
C14	UA253390	Mylar Capacitor	3900pF 50V			02
C15	UA155100	Mylar Capacitor	0.1uF 50V			01
C16	UA254560	Mylar Capacitor	0.056uF 50V			02
C17	UI337100	Electrolytic Cap.	10uF 16V			01
IC1	XD901A00	IC	NJM062M	} OP AMP		02
IC1	XN309A00	IC	TL062CPS			03
IC2	XD901A00	IC	NJM062M	} OP AMP		02
IC2	XN309A00	IC	TL062CPS			03
D01	VB797600	Diode (chip)	RLS-73			01
R01	RD259100	Carbon Resistor (chip)	1M J			01
R02	RD258390	Carbon Resistor (chip)	390K J			01
R03	RD259100	Carbon Resistor (chip)	1M J			01
R04	RD258470	Carbon Resistor (chip)	470K J			01
R05	RD257120	Carbon Resistor (chip)	12K J			01
R06	RD257270	Carbon Resistor (chip)	27K J			01
R07	RD256680	Carbon Resistor (chip)	6.8K J			01
R08	RD256820	Carbon Resistor (chip)	8.2K J			01
R09	RD257120	Carbon Resistor (chip)	12K J			01
R10	RD256330	Carbon Resistor (chip)	3.3K J			01
R11	RD257470	Carbon Resistor (chip)	47K J			01
R12	RD257470	Carbon Resistor (chip)	47K J			01
R13	RD258470	Carbon Resistor (chip)	470K J			01
R14	RD257100	Carbon Resistor (chip)	10K J			01
R15	RD257150	Carbon Resistor (chip)	15K J			01
R16	RD256100	Carbon Resistor (chip)	1K J			01
R17	RD256100	Carbon Resistor (chip)	1K J			01
R18	RD258470	Carbon Resistor (chip)	470K J			01
R19	RD256100	Carbon Resistor (chip)	1K J			01
VR1	QC251700	Variable Resistor	16K-B50K L-18KC/CC	BASS		04
*	VR2	Variable Resistor	16T1-A50K L-18KC	MID FREQ.		

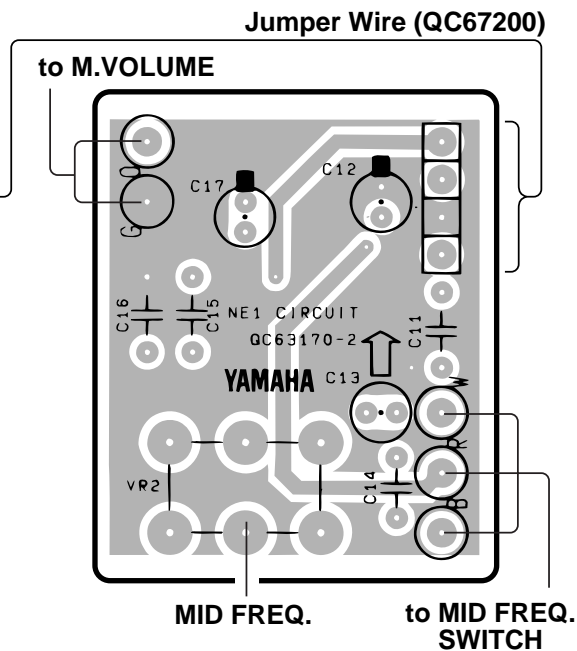
*: New Parts

RANK: Japan only

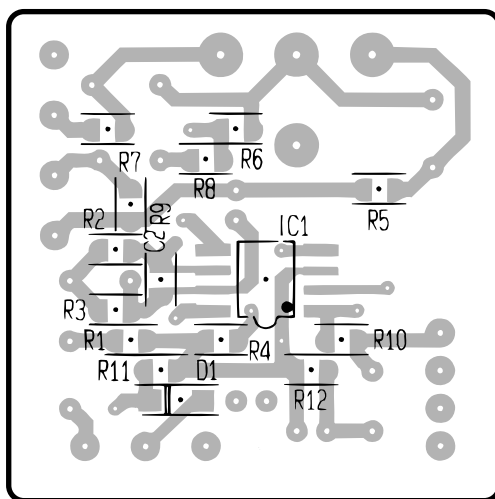
CIRCUIT BOARD



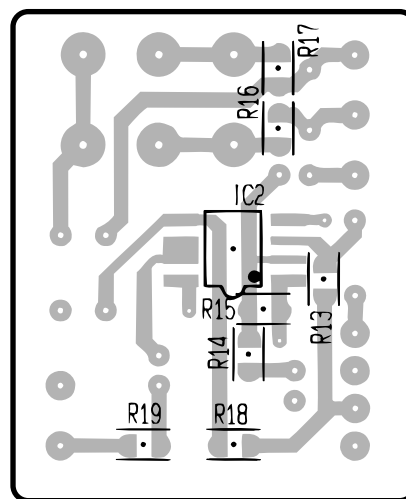
Component side



Component side



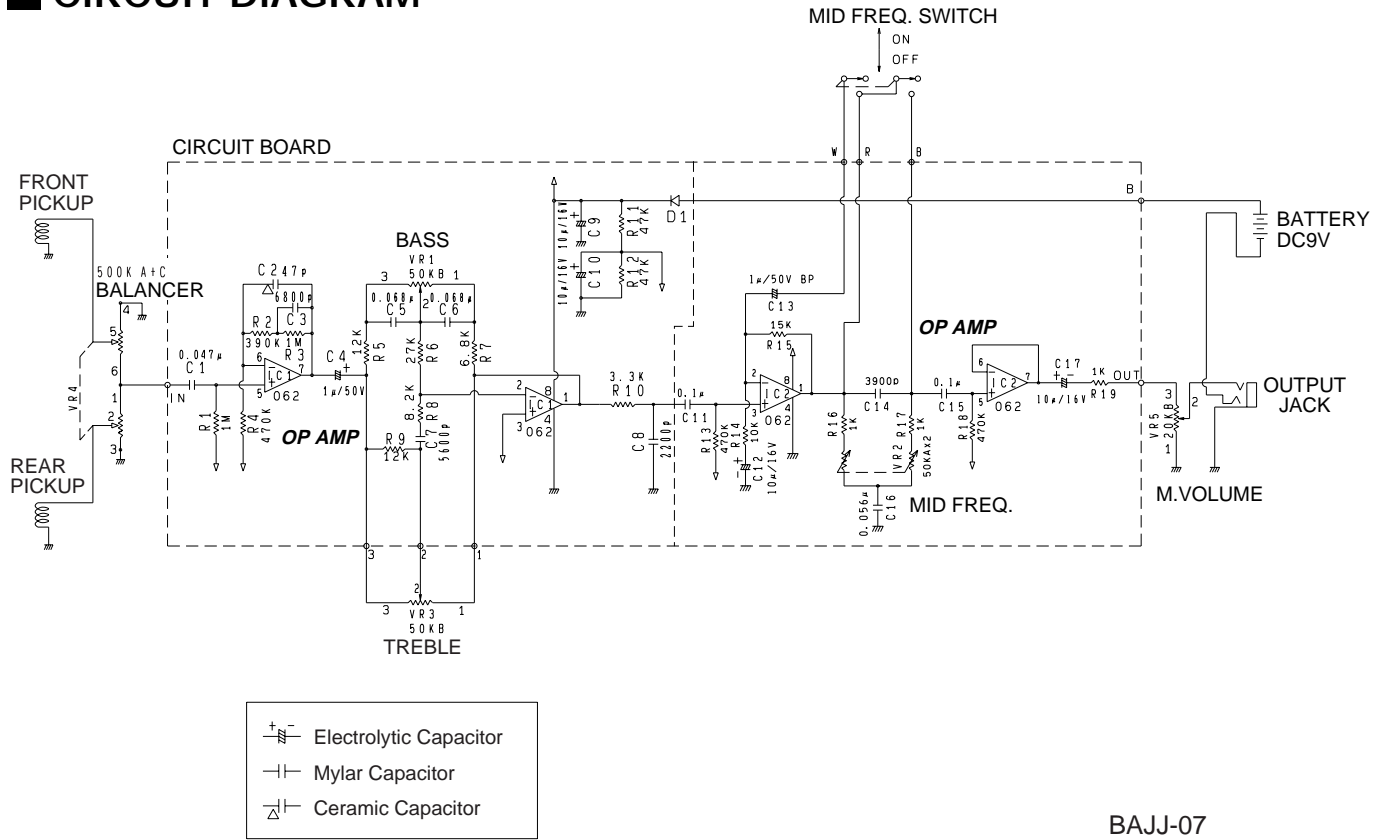
Pattern side



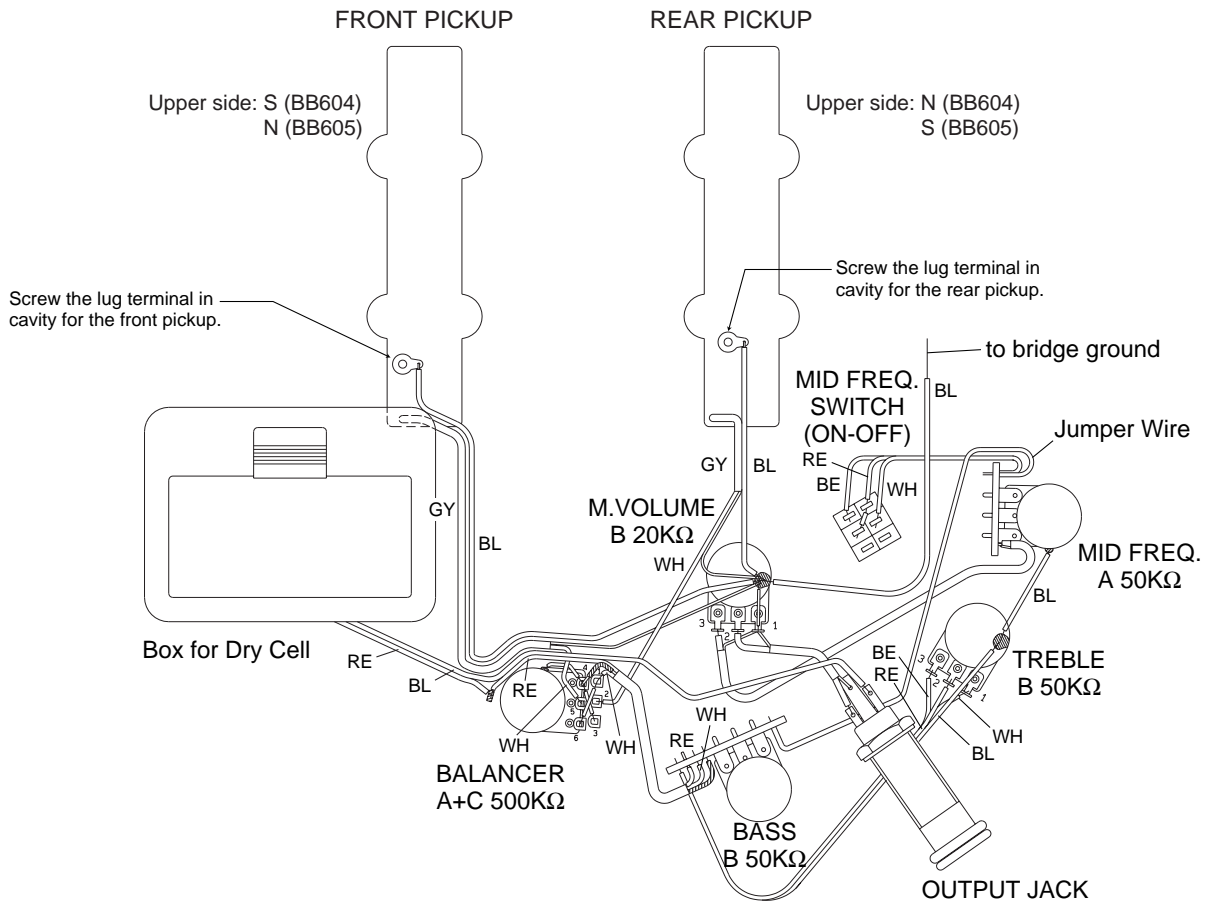
Pattern side

Note: See parts list for details of circuit board component parts.

CIRCUIT DIAGRAM



WIRING



■ SPECIFICATIONS

● STANDARD SPECIFICATIONS

Scale Length	863.6mm
Body-Neck Construction	Bolt On
Length	
BB604	1141.0mm
BB605	1159.5mm
Width	
BB604	318.5mm
BB605	324.5mm
Net Weight	
BB604	3.9kg
BB605	4.0kg

● COLOR

Body	
YNS	Yellow Natural Satin
WR	Wine Red
BL	Black
Neck	
YNS	Yellow Natural Satin
WR	Wine Red
BL	Black

● BODY

Material	Alder
Body Depth	41mm

● FINGERBOARD

Material	Rosewood
Fingerboard Width	
BB604	0-F 40.0mm, 12-F 56.4mm
BB605	0-F 43.0mm, 12-F 65.0mm
No. of Frets	24

● NECK

Material	Maple
Neck Thickness	1-F 21.0mm, 12-F 24.4mm

● PARTS

Hardware	Gold Plated
Nut	Urea
Bridge	
BB604	Korea: Diecast (Gold)
BB605	Taiwan: Diecast (Gold)
Strings	
BB604	H4030
BB605	H4030 (4pcs) H4055 (Low-B)

● CONTROLS

Volume	B 20K Ω x 1
Balancer	A+C 500K Ω x 1
Bass	B 50K Ω x 1
Treble	B 50K Ω x 1
Mid Freq.	A 50K Ω x 1
MID FREQ. Switch	Toggle Switch (ON-OFF)

● PICKUPS

Front/Rear	Single Coil
Magnet	
Front/Rear	Ferrite