

ELECTRIC BASS BB NE2

SERVICE MANUAL



WARNING : CHEMICAL CONTENT NOTICE!

The solder used in the production of this product contains LEAD. In addition, other electrical/electronic and/or plastic (Where applicable) components may also contain traces of chemicals found by the California Health and Welfare Agency (and possibly other entities) to cause cancer and/or birth defects or other reproductive harm.

DO NOT PLACE SOLDER, ELECTRICAL/ELECTRONIC OR PLASTIC COMPONENTS IN YOUR MOUTH FOR ANY REASON WHAT SO EVER!

Avoid prolonged, unprotected contact between solder and your skin! When soldering, do not inhale solder fumes or expose eyes to solder/flux vapor!

If you come in contact with solder or components located inside the enclosure of this product, wash your hands before handling food.

■ CONTENTS

OVERALL ASSEMBLY	2
ELECTRICAL PARTS	4
CIRCUIT BOARD	6
CIRCUIT DIAGRAM	7
WIRING	8
SPECIFICATIONS	8

This document is printed on chlorine free (ECF) paper with soy ink.

EG 011597

20011101-280000

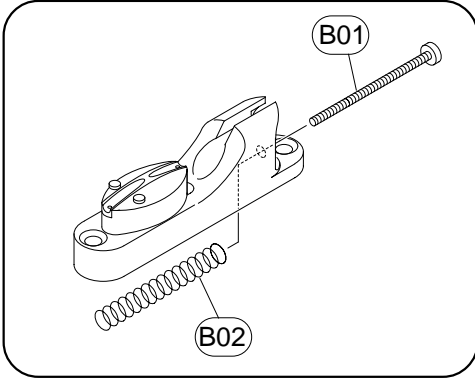
 **YAMAHA**

HAMAMATSU, JAPAN

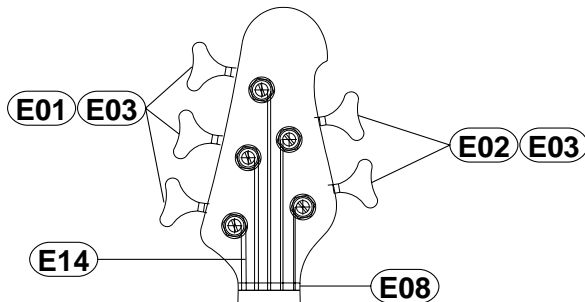
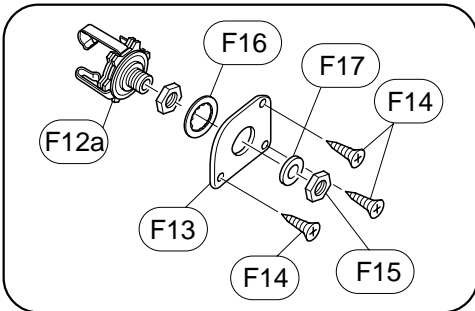
1.018K-661  Printed in Japan '01.10

OVERALL ASSEMBLY

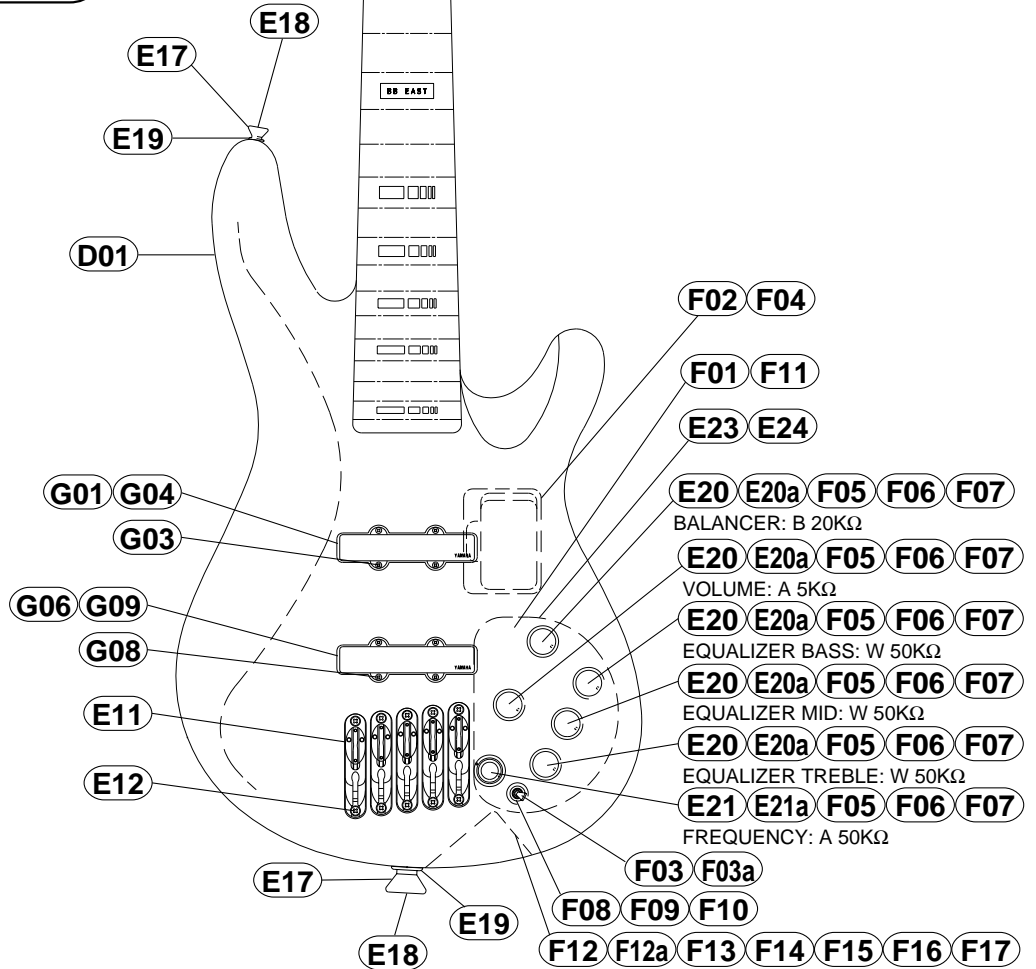
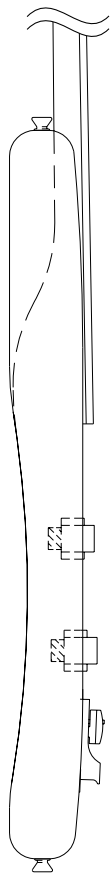
E11 Bridge Assembly: BPZ-8 (Gold)



F12 Jack Installation



Replacement nut is supplied without string slot.



REF NO.	PART NO.	DESCRIPTION		REMARKS	QTY	RANK
A01	--	OVERALL ASSEMBLY		BB NE2		
A01	--	Neck Assembly		WHITE		
		Neck Assembly		BLACK		
D01	--	Body				
* E01	QC648000	Tuning Machine Assembly	GB72L (Gold)		3	
* E02	QC648100	Tuning Machine Assembly	GB72 (Gold)		2	
E03	03704070	Round Head Wood Screw	2.4X10 (Gold)		5	02
E08	QC428000	Nut	Bone 43mm			10
* E11	QC648200	Bridge Assembly	BPZ-8 (Gold)		5	
E12	QC443000	Flat Head Tapping Screw	3.5X30 (Gold)		10	
E14	--	Strings	H4050	1set (AA82119)		
E17	QC224600	Strap Button	EP-B2 (Gold)		2	02
E18	03706630	Oval Head Tapping Screw	3.5X25 (Gold)		2	02
E19	VB793700	Spacer	Felt (Black)		2	01
* E20	QC680600	Metal Knob Assembly	VK3 (GG)	BALANCER,VOLUME,EQUALIZER	5	
E20a	--	Set Screw	4.0X6 (Gold)		5	
E21	QC205800	Resin Knob Assembly	LEX B-18	FREQUENCY		07
E21a	--	Set Screw	3.0X4 (Black)			
* E23	QC648400	Back Cover	Electrical (Black)			
E24	EB620020	Oval Head Wood Screw	2.7X13 FCM3BL	Black	5	03
* F01	QC642800	Circuit Board	BB NE2			
F02	VK505700	Box for Dry Cell		with Battery Cord		07
F03	--	Electrical Unit (Switch)		(QC64300)		
* F03a	QC643800	Toggle Switch	Black	MID-CUT ON-OFF SW		08
* F04	AAX30750	Pan Head Tapping Screw	3.0X6 FCM3BL	Black	2	
F05	--	Hexagonal Nut		with Volume	6	
F06	--	Flat Washer		with Volume	6	
F07	--	Toothed Lock Washer		with Volume	6	
F08	--	Hexagonal Nut		with Switch		
F09	--	Flat Washer		with Switch		
F10	--	Toothed Lock Washer		with Switch		
F11	QC648500	Lead Wire		1set		
F12	--	Electrical Unit(Jack Assy)		(QC64430)		
F12a	VS001100	Jack	ST Open Type	Gold		04
* F13	QC649200	Jack Panel	SpCC (Gold)			
* F14	AAX30760	Oval Head Tapping Screw	2.6X12 (Gold)		3	
* F15	AAX30770	Hexagonal Nut	Gold			
F16	ET800180	Toothed Lock Washer	10S			01
* F17	AAX30780	Flat Washer	Gold			
* G01	QC644900	Pickup Assembly		FRONT		
* G03	AAX30790	Oval Head Wood Screw	2.6X30 FCM3BL	Black	4	02
G04	QC232300	Pickup Cushion				
* G06	QC645000	Pickup Assembly		REAR		
* G08	AAX30790	Oval Head Wood Screw	2.6X30 FCM3BL	Black	4	02
G09	QC232300	Pickup Cushion				
H01	QC354000	Accessory Unit	G-1	1set		07
	QA262600	Cord	D			05
	--	Wrench	#5			
	--	Wrench	#1.5			
	--	Box Wrench				
H02	--	Battery	6LR61	(QC65770)		
I08	--	Hard Case	GB25	(2404670)		
* B01	QC648200	Bridge Assembly	BPZ-8 (Gold)		5	
	EA330400	Pan Head Screw	3.0X40 FCM3BL	Black	5	01
B02	VJ402400	Spring	Black		5	01

*: New Parts

RANK: Japan only

ELECTRICAL PARTS

REF NO.	PART NO.	DESCRIPTION		REMARKS	QTY	RANK
		ELECTRICAL PARTS		BB NE2		
*	QC642800	Circuit Board	BB NE2	(QC64290)		
*	QC642800	Circuit Board	BB NE2	(QC64290)		
	QC434900	Hexagonal Nut			6	06
C01	FP355100	Tantalum Capacitor	0.1uF/16V			02
C03	FP355100	Tantalum Capacitor	0.1uF/16V			02
C05	FX804200	Electrolytic Capacitor	22uF/16V			05
C06	FX804200	Electrolytic Capacitor	22uF/16V			05
C21	FZ004240	Electrolytic Capacitor-BP	1uF/50V BP 4X7 NC			01
C22	UA153180	Mylar Capacitor	1800pF			
C23	UA154270	Mylar Capacitor	0.027uF			01
C24	UA155100	Mylar Capacitor	0.1uF			01
C31	UI137100	Electrolytic Capacitor	10uF/16V			01
C32	FG444100	Ceramic Capacitor	0.01uF			01
C33	FX804200	Electrolytic Capacitor	22uF/16V			05
C34	UI137100	Electrolytic Capacitor	10uF/16V			01
C35	FG444100	Ceramic Capacitor	0.01uF			01
C36	UI137100	Electrolytic Capacitor	10uF/16V			01
C37	FG444100	Ceramic Capacitor	0.01uF			01
C38	UI137100	Electrolytic Capacitor	10uF/16V			01
C39	UI166100	Electrolytic Capacitor	1uF/50V			01
C40	UI166100	Electrolytic Capacitor	1uF/50V			01
C41	FG444100	Ceramic Capacitor	0.01uF			01
C42	FG444100	Ceramic Capacitor	0.01uF			01
C51	FG212100	Ceramic Capacitor	100pF			01
C52	FG212100	Ceramic Capacitor	100pF			01
C53	FX804200	Electrolytic Capacitor	22uF/16V			05
C61	UI165470	Electrolytic Capacitor	0.47uF/50V			01
C62	UI165470	Electrolytic Capacitor	0.47uF/50V			01
C71	FG211470	Ceramic Capacitor	47pF			01
C72	UA154270	Mylar Capacitor	0.027uF			01
C73	UA154330	Mylar Capacitor	0.033uF			03
C81	UA153220	Mylar Capacitor	2200pF			01
C82	UA153150	Mylar Capacitor	1500pF			01
C83	FG212100	Ceramic Capacitor	100pF			01
C84	FG212330	Ceramic Capacitor	330pF			01
C85	FG212330	Ceramic Capacitor	330pF			01
CN1	LB918020	Connector	2P B2B-XH-A	to Front Pickup		01
CN2	LB918020	Connector	2P B2B-XH-A	to Rear Pickup		01
CN3	LB918040	Connector	4P B4B-XH-A	to Output Jack		01
CN4	LB918020	Connector	2P B2B-XH-A	to Battery		01
CN5	LB918030	Connector	3P B3B-XH-A	to MID-CUT Switch		01
D01	IX808800	Diode	E-301			05
D03	IX808800	Diode	E-301			05
D05	QC183900	Diode	1SR139-100			01
IC1	IX808770	IC	OP200GP	OP AMP		12
IC2	IX808770	IC	OP200GP	OP AMP		12
IC3	IG070700	IC	TL062CP	OP AMP		07
IC4	IX808780	IC	TC7662BEPA	REGULATOR		10
IC4	IX808780	IC	ICL7660SIPA			10
L1-4	GX804490	Coil	ELEXG101KA 100uH			04
Q01	IX808790	FET	2SK30ATM(O)			04
Q03	IX808790	FET	2SK30ATM(O)			04
R01	HF559100	Carbon Resistor	1M 1/6W J			01
R03	HF559100	Carbon Resistor	1M 1/6W J			01
R05	HF559220	Carbon Resistor	2.2M 1/6W J			03
R07	HF559220	Carbon Resistor	2.2M 1/6W J			03
R09	HF556680	Carbon Resistor	6.8K 1/6W J			01
R11	HF556680	Carbon Resistor	6.8K 1/6W J			01
R13	HF557100	Carbon Resistor	10K 1/6W J			01
R14	HF557100	Carbon Resistor	10K 1/6W J			01
R15	HF557120	Carbon Resistor	12K 1/6W J			01
R16	HF557120	Carbon Resistor	12K 1/6W J			01
R21	HF556100	Carbon Resistor	1K 1/6W J			01
R22	HF558100	Carbon Resistor	100K 1/6W J			01
R23	HF557330	Carbon Resistor	33K 1/6W J			01
R24	HF557150	Carbon Resistor	15K 1/6W J			01
R25	HF556390	Carbon Resistor	3.9K 1/6W J			01
R26	HF556390	Carbon Resistor	3.9K 1/6W J			01

*: New Parts

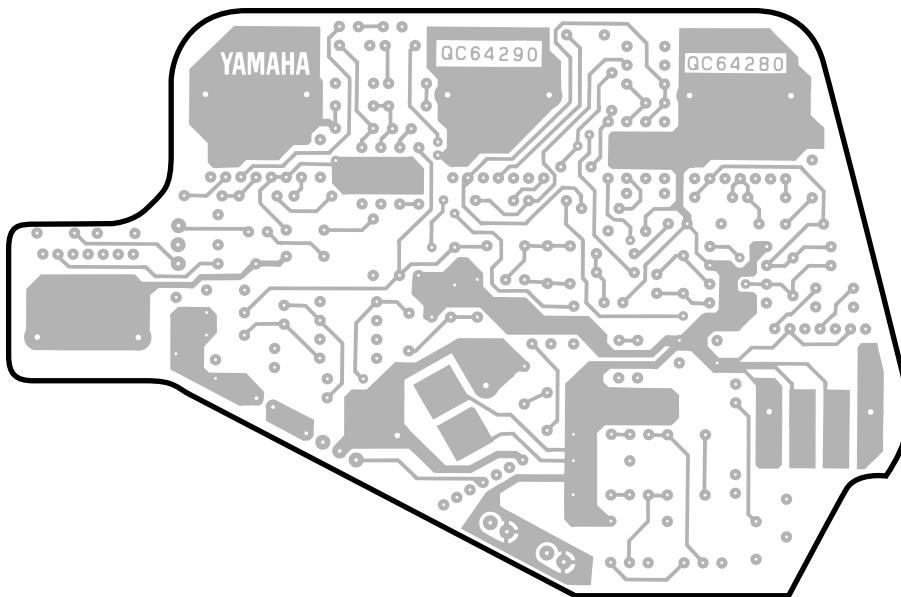
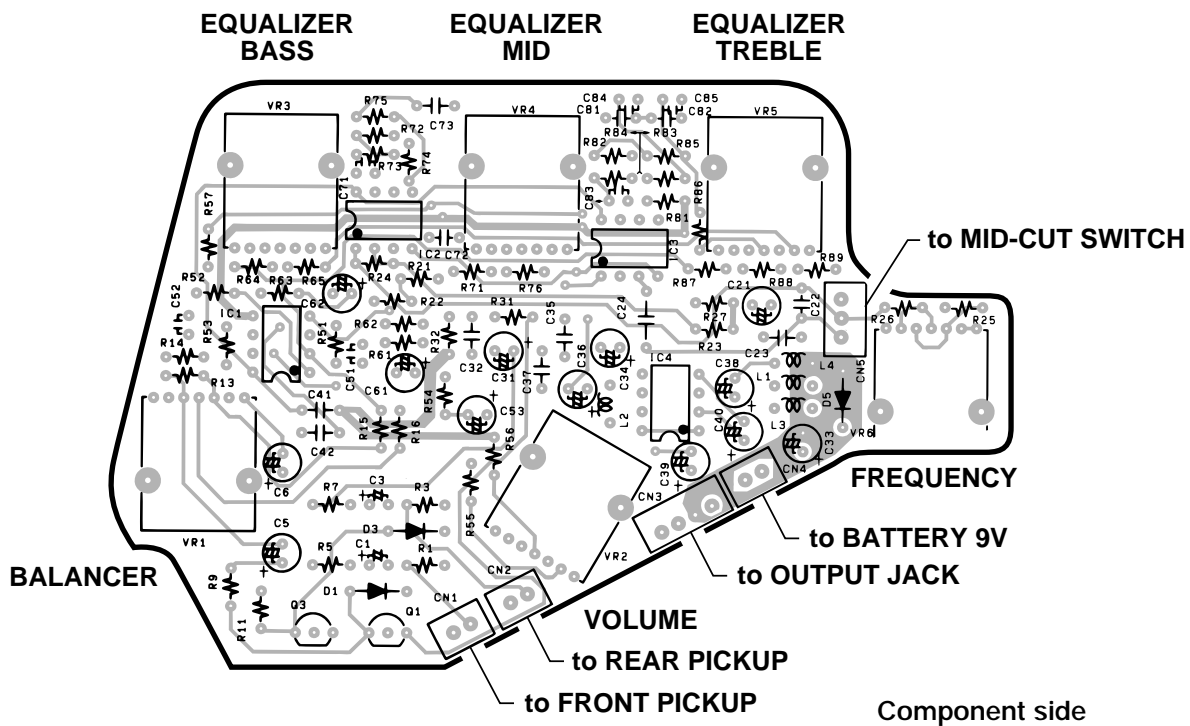
RANK: Japan only

REF NO.	PART NO.	DESCRIPTION		REMARKS	QTY	RANK
R27	HF558470	Carbon Resistor	470K 1/6W J			03
R31	HF557330	Carbon Resistor	33K 1/6W J			01
R32	HF557270	Carbon Resistor	27K 1/6W J			01
R51	HF557470	Carbon Resistor	47K 1/6W J			01
R52	HF557470	Carbon Resistor	47K 1/6W J			01
R53	HF557330	Carbon Resistor	33K 1/6W J			01
R54	HF554330	Carbon Resistor	33 1/6W J			03
R55	HF557180	Carbon Resistor	18K 1/6W J			01
R56	HF557220	Carbon Resistor	22K 1/6W J			01
R57	HF554330	Carbon Resistor	33 1/6W J			03
R61	HF555680	Carbon Resistor	680 1/6W J			01
R62	HF556820	Carbon Resistor	8.2K 1/6W J			01
R63	HF556180	Carbon Resistor	1.8K 1/6W J			01
R64	HF557680	Carbon Resistor	68K 1/6W J			01
R65	HF557470	Carbon Resistor	47K 1/6W J			01
R71	HF554330	Carbon Resistor	33 1/6W J			03
R72	HF557220	Carbon Resistor	22K 1/6W J			01
-75	HF557220	Carbon Resistor	22K 1/6W J			01
R76	HF556100	Carbon Resistor	1K 1/6W J			01
R81	HF557330	Carbon Resistor	33K 1/6W J			01
R82	HF557470	Carbon Resistor	47K 1/6W J			01
R83	HF557100	Carbon Resistor	10K 1/6W J			01
R84	HF557100	Carbon Resistor	10K 1/6W J			01
R85	HF557220	Carbon Resistor	22K 1/6W J			01
R86	HF557100	Carbon Resistor	10K 1/6W J			01
R87	HF556330	Carbon Resistor	3.3K 1/6W J			01
R88	HF557470	Carbon Resistor	47K 1/6W J			01
R89	HF557470	Carbon Resistor	47K 1/6W J			01
VR1	AAX14660	Rotary Variable Resistor	RK14K1240B24 20KB	BALANCER		04
VR2	AAX14670	Rotary Variable Resistor	RK14K1240A53 5KA	VOLUME		04
VR3	AAX14680	Rotary Variable Resistor	RK14K1240W54 50KW	EQUALIZER BASS		04
VR4	AAX14680	Rotary Variable Resistor	RK14K1240W54 50KW	EQUALIZER MID		04
VR5	AAX14680	Rotary Variable Resistor	RK14K1240W54 50KW	EQUALIZER TREBLE		04
* VR6	AAX30800	Rotary Variable Resistor	RK14K1240A54 50KA	FREQUENCY		

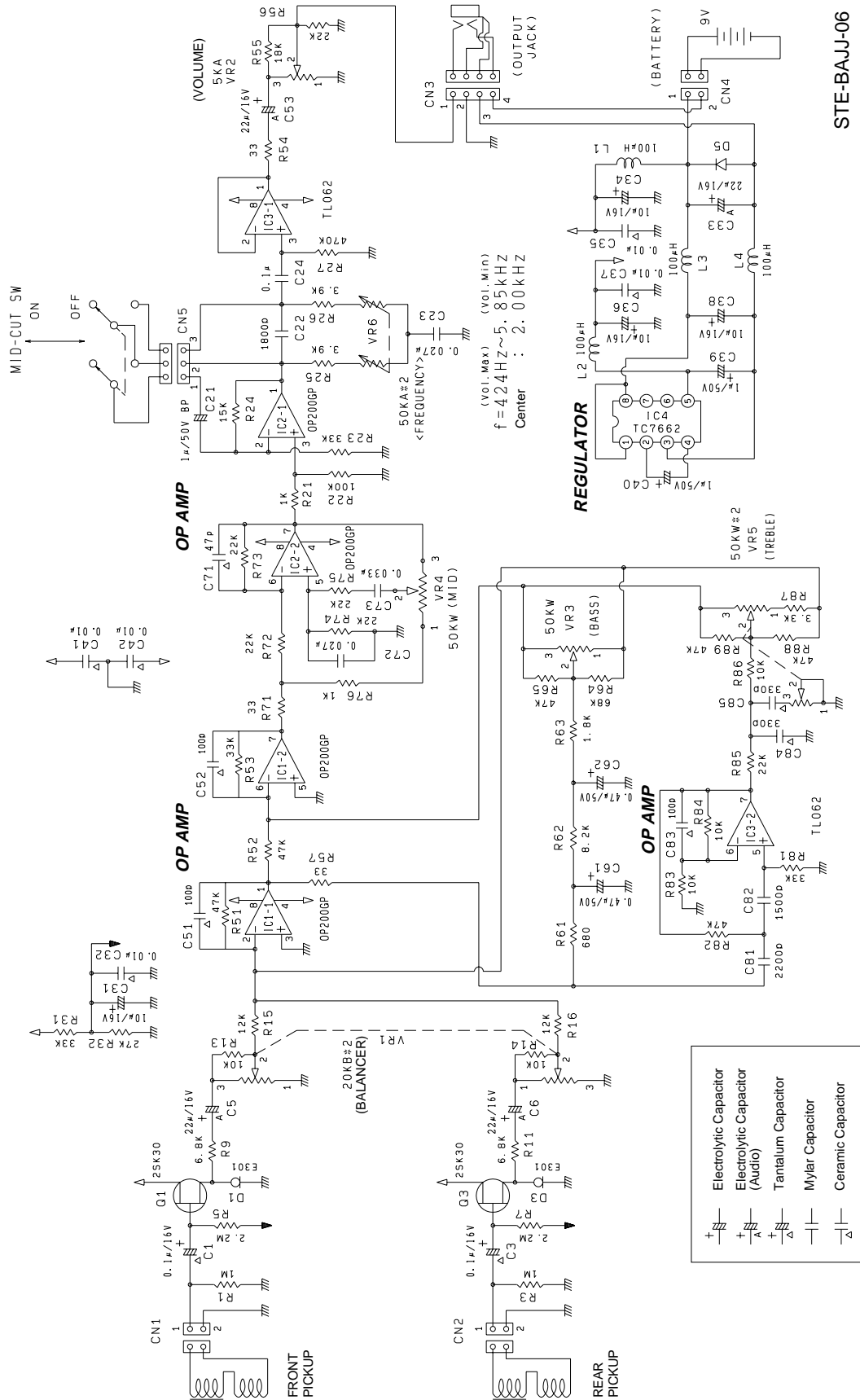
*: New Parts

RANK: Japan only

CIRCUIT BOARD

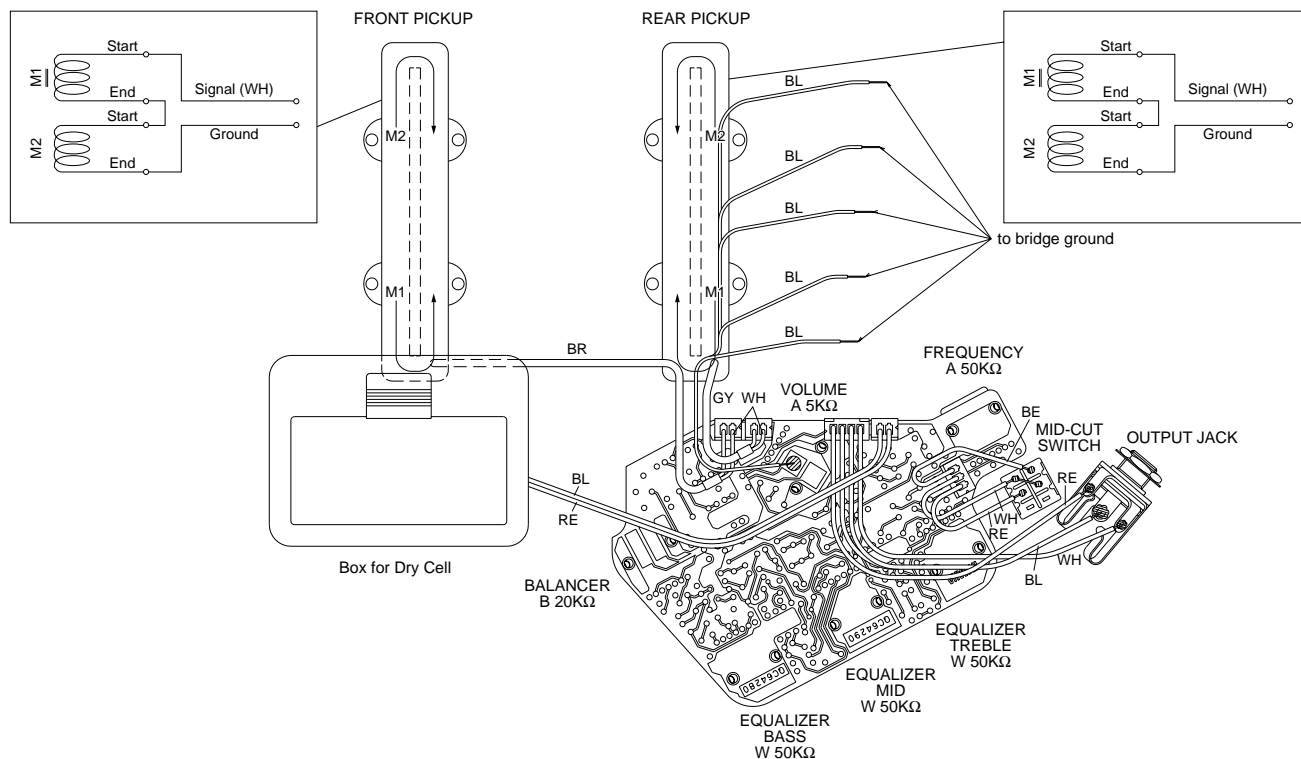


CIRCUIT DIAGRAM



STE-BAJJ-06

WIRING



SPECIFICATIONS

STANDARD SPECIFICATIONS

Scale Length 864.0mm
 Body-Neck Construction Through Neck
 Length 1156.5mm
 Width 324.5mm
 Net Weight 4.3kg

COLOR

Body
 WH White
 BL Black
 Neck
 WH White
 BL Black

BODY

Material Maple + Alder
 Body Depth 51mm

FINGERBOARD

Material Ebony
 Fingerboard Width 0-F 43.0 mm, 12-F 64.7 mm
 No. of Frets 24

NECK

Material Maple/Mahogany
 Neck Thickness 1-F 20.3 mm, 12-F 23.7 mm

PARTS

Hardware Gold Plated
 Nut Bone
 Bridge BPZ-8: Gold
 Strings H4050

CONTROLS

Volume A 5K Ω x 1
 Balance B 20K Ω x 1
 Equalizer W 50K Ω x 3 (BASS, MID, TREBLE)
 Frequency A 50K Ω x 1
 MID-CUT Switch Toggle Switch (ON-OFF)

PICKUPS

Front/Rear Stacked Type
 Magnet
 Front/Rear Alnico V