

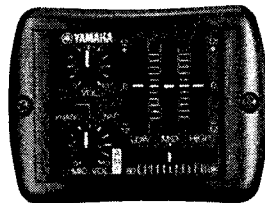
ELECTRIC ACOUSTIC GUITAR CJX12SA BL

SERVICE MANUAL

SENSOR PICKUP SYSTEM45

NOTE: See parts list of the SENSOR PICKUP SYSTEM45 (EG 011526) service manual for details of circuit board component parts.

注:アフターサービス実施時には、SENSOR PICKUP SYSTEM 45 (EG 011526) のサービスマニュアルをご参照下さい。



WARNING : CHEMICAL CONTENT NOTICE!

The solder used in the production of this product contains LEAD. In addition, other electrical/electronic and/or plastic (Where applicable) components may also contain traces of chemicals found by the California Health and Welfare Agency (and possibly other entities) to cause cancer and/or birth defects or other reproductive harm.


DO NOT PLACE SOLDER, ELECTRICAL/ELECTRONIC OR PLASTIC COMPONENTS IN YOUR MOUTH FOR ANY REASON WHAT SO EVER!

Avoid prolonged, unprotected contact between solder and your skin! When soldering, do not inhale solder fumes or expose eyes to solder/flux vapor!

If you come in contact with solder or components located inside the enclosure of this product, wash your hands before handling food.

EG 011650

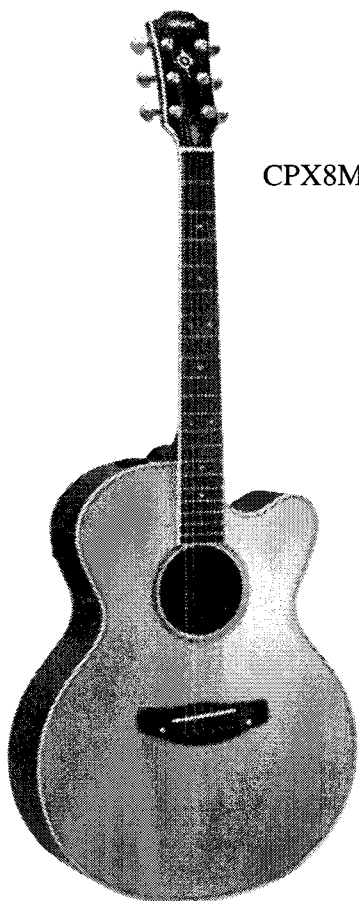
 **YAMAHA**
HAMAMATSU, JAPAN

Copyright (c) Yamaha Corporation. All rights reserved. PDF-K61 IT  '02.08

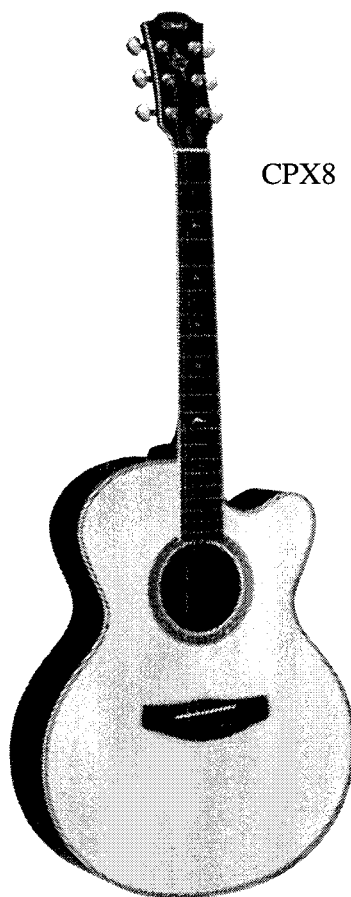
ELECTRIC ACOUSTIC GUITAR SENSOR PICKUP

SERVICE MANUAL

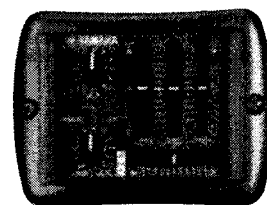
SYSTEM45



CPX8M



CPX8



CONTENTS

SPECIFICATIONS	2
PANEL LAYOUT	3
OVERALL ASSEMBLY	4
ELECTRICAL PARTS	6
CIRCUIT BOARD	8
CIRCUIT DIAGRAM	8



This document is printed on chlorine free (ECF) paper with soy ink.

EG 011526

CPX8, CPX8M: 20001001-90000



HAMAMATSU, JAPAN

1.08K-481 IT Printed in Japan '00.09

SYSTEM45

IMPORTANT NOTICE

This manual has been provided for the use of authorized Yamaha Retailers and their service personnel. It has been assumed that basic service procedures inherent to the industry, and more specifically Yamaha Products, are already known and understood by the users, and have therefore not been restated.

WARNING : Failure to follow appropriate service and safety procedures when servicing this product may result in personal injury, destruction of expensive components and failure of the product to perform as specified. For these reasons, we advise all Yamaha product owners that all service required should be performed by an authorized Yamaha Retailer or the appointed service representative.

IMPORTANT : This presentation or sale of this manual to any individual or firm does not constitute authorization certification, recognition of any applicable technical capabilities, or establish a principal-agent relationship of any form.

The data provided is believed to be accurate and applicable to the unit(s) indicated on the cover. The research engineering, and service departments of Yamaha are continually striving to improve Yamaha products. Modifications are, therefore, inevitable and changes in specification are subject to change without notice or obligation to retrofit. Should any discrepancy appear to exist, please contact the distributor's Service Division.

WARNING : Static discharges can destroy expensive components. Discharge any static electricity your body may have accumulated by grounding yourself to the ground bus in the unit (heavy gauge black wires connect to this bus.)

IMPORTANT : Turn the unit OFF during disassembly and parts replacement. Recheck all work before you apply power to the unit.

WARNING: CHEMICAL CONTENT NOTICE!

The solder used in the production of this product contains LEAD. In addition, other electrical/electronic and/or plastic (Where applicable) components may also contain traces of chemicals found by the California Health and Welfare Agency (and possibly other entities) to cause cancer and/or birth defects or other reproductive harm.

DO NOT PLACE SOLDER, ELECTRICAL/ELECTRONIC OR PLASTIC COMPONENTS IN YOUR MOUTH FOR ANY REASON WHAT SO EVER!

Avoid prolonged, unprotected contact between solder and your skin! When soldering, do not inhale solder fumes or expose eyes to solder/flux vapor!

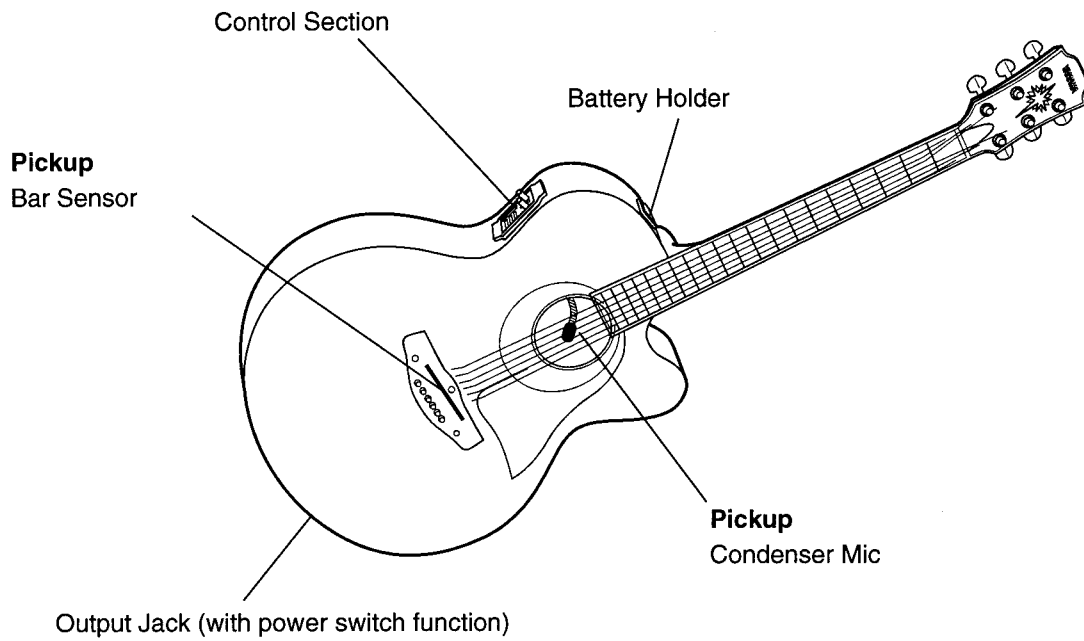
If you come in contact with solder or components located inside the enclosure of this product, wash your hands before handling food.

SPECIFICATIONS

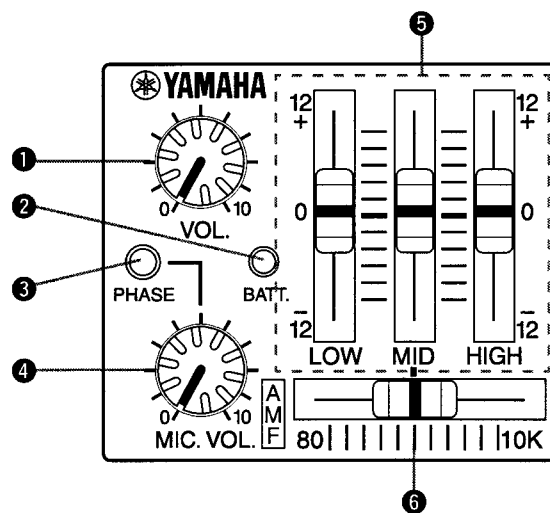
System	SYSTEM-45 (Monaural 2 way)
Pickup	• Bar Sensor (Piezo type) • Condenser Mic (with gooseneck)
Pre-amplifier Controls	VOL., MIC.VOL., EQ control for bar sensor (piezo) : HIGH, MID, LOW, AMF, PHASE(Phase switch for mic)
Output jack	Combination end pin/power switch
Output impedance	1 k Ω
Power supply	9V DC, S-006P (6F22) dry cell battery
Battery life	Approx. 350 hours

■ PANEL LAYOUT

• Pickups

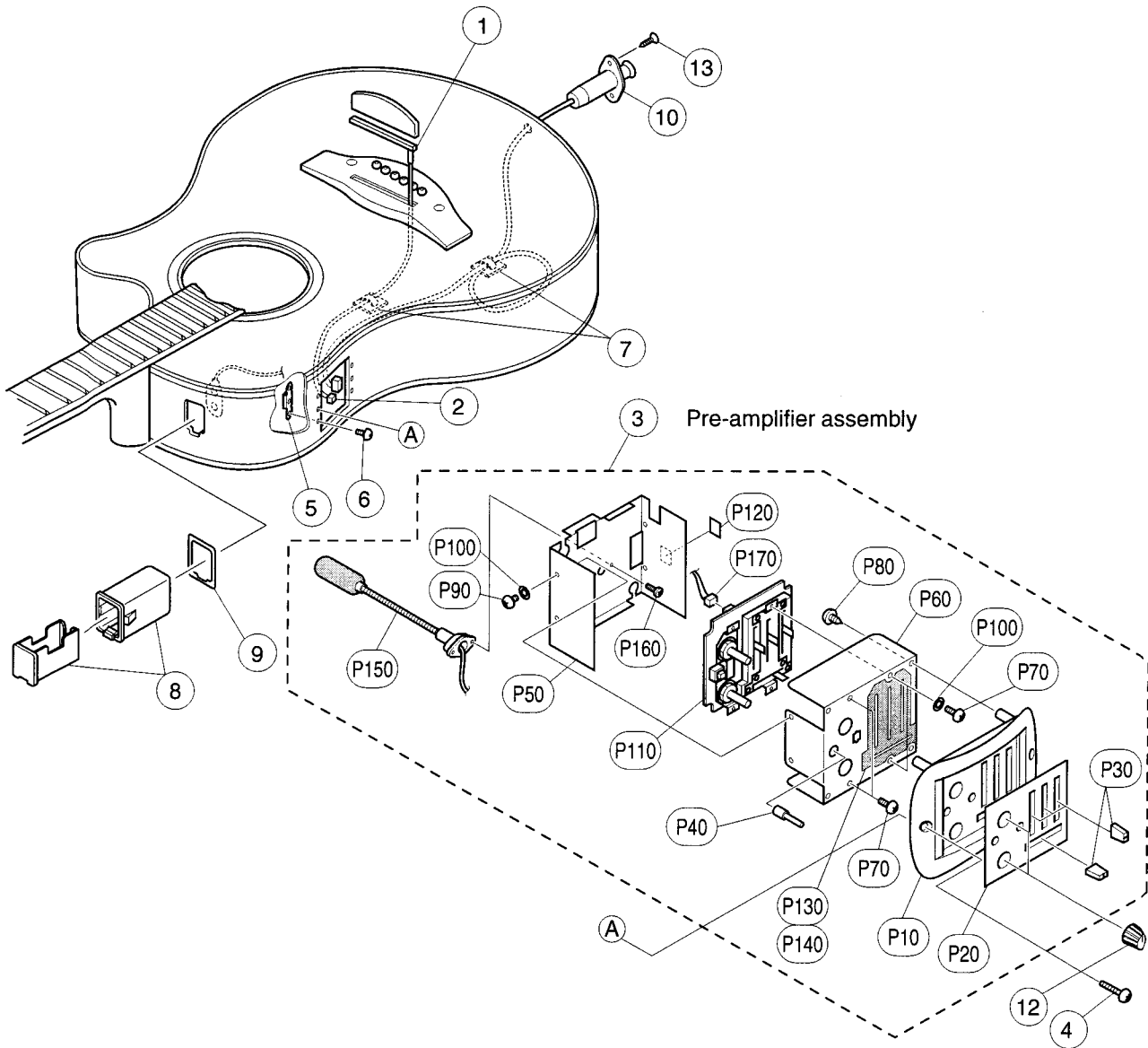


• Control Panel



- ① VOL. (Volume) Control
- ② BATT. (Battery Check) Indicator
- ③ PHASE switch for the MIC
- ④ MIC. VOL.
- ⑤ Equalizer Controls for the Bar Sensor (Piezo)
- ⑥ AMF Control

OVERALL ASSEMBLY



REF NO.	PART NO.	DESCRIPTION	REMARKS	QTY	RANK
		OVERALL ASSEMBLY	SYSTEM45		
* 1	VS950500	Pickup Assembly	PU-L		13
2	LB009020	Connector Housing	XHP-2P		01
* 3	QC588200	Pre-amplifier Assembly	AMP-Z2		
4	QC271600	Pan Head Screw	3.0X10 BL		
5	QC271500	Floating Nut	0.6t	2	03
6	VT805400	Truss Head Screw	2.5X6 BL	4	01
7	VC668400	Cord Clamp		2	02
8	QC111900	Battery Holder			05
9	QC112000	Cushion			03
* 10	QC589900	Cord with Jack	Z2		
12	QC187700	Rotary Knob			05
13	V5612400	Oval Head Tapping Screw	2.0X10 ZN-BL	2	
	QC588200	Pre-amplifier Assembly	AMP-Z2		
P10	QC588500	Eschutcheon, Amplifier	Z(CPX8)		
P20	QC588600	Panel	Z2		
P30	QC200500	Slide Knob		4	08
P40	QC270900	Push Knob			02
P50	QC588800	Case	LOWER		
P60	QC588700	Case	UPPER		
P70	VT805400	Truss Head Screw	2.5X6 BL	4	01
P80	QC271700	Pan Head Tapping Screw	3.0X5 NI	4	01
P90	QC187900	Bind Head Tapping Screw	3.0X5 BL	4	
P100	QC224900	Toothed Lock Washer	A3.0	6	02
P110	QC588300	Circuit Board	Z2		
P120	--	Sticker	CE(S)		
P130	--	Dust-proof Sheet			(QC34120)
P140	--	Adhesive Tape			(QC58910)
P150	V6255100	Pickup Assembly	MIC(YAMAHA MC-7XH)		(QC58920)
P160	QC399700	Pan Head Tapping Screw	2.6X6 NI	2	01
P170	LB009020	Connector Housing	XHP-2P		01

*: New Parts

RANK: J apan only

ELECTRICAL PARTS

REF NO.	PART NO.	DESCRIPTION		REMARKS	QTY	RANK
*	QC588300	ELECTRICAL PARTS Circuit Board	Z2	SYSTEM45 (QC58840)		
*	QC588300	Circuit Board	Z2	(QC58840)		
	VT188900	LED Spacer	17.7L			02
	VR043800	Battery Holder	B Snap I-type 250L			04
	VR047100	Bushing	KG-74			02
*	QC588900	Angle Bracket A				
*	QC589000	Angle Bracket B				
*	QC615300	Pan Head Screw	2.0X2.5		3	01
C1	UB014100	Ceramic Capacitor (chip)	0.010 K			01
C2	UB052100	Ceramic Capacitor (chip)	100P J			01
C3	UB014180	Ceramic Capacitor (chip)	0.018 K			01
C4	UB013680	Ceramic Capacitor (chip)	6800P K			01
C5	UB014100	Ceramic Capacitor (chip)	0.010 K			01
C6	UF065330	Electrolytic Cap.	0.330 50V			01
C7	UB014100	Ceramic Capacitor (chip)	0.010 K			01
C8	UB014330	Ceramic Capacitor (chip)	0.033 K			01
C9	UB013120	Ceramic Capacitor (chip)	1200P K			01
C10	UB052100	Ceramic Capacitor (chip)	100P J			01
C11	UB051470	Ceramic Capacitor (chip)	47P J			01
C12	UB052100	Ceramic Capacitor (chip)	100P J			01
C13	UB051220	Ceramic Capacitor (chip)	22P J			01
C14	UB014330	Ceramic Capacitor (chip)	0.033 K			01
C15	FX804250	Ceramic Capacitor (chip)	0.068 K			01
C16	FX804250	Ceramic Capacitor (chip)	0.068 K			01
C17	FX804260	Ceramic Capacitor (chip)	0.150 Z			01
C21	UI337100	Electrolytic Cap.	10.00 16V			01
* C22	AAX18830	Ceramic Capacitor (chip)	0.100 Z			01
C23	FX804250	Ceramic Capacitor (chip)	0.068 K			01
C25	UB051220	Ceramic Capacitor (chip)	22P J			01
C26	UB014100	Ceramic Capacitor (chip)	0.010 K			01
C27	UB052100	Ceramic Capacitor (chip)	100P J			01
C31	UB052100	Ceramic Capacitor (chip)	100P J			01
C32	UB051220	Ceramic Capacitor (chip)	22P J			01
C33	UB014100	Ceramic Capacitor (chip)	0.010 K			01
C34	UI337100	Electrolytic Cap.	10.00 16V			01
C35	UB014100	Ceramic Capacitor (chip)	0.010 K			01
* C36	AAX18840	Electrolytic Cap.	47.00 16V			01
* C37	AAX18840	Electrolytic Cap.	47.00 16V			01
CN1	LB918020	Connector Base Post	B2B-XH-A			01
CN2	LB918030	Connector Base Post	B3B-XH-A			01
CN3	LB918020	Connector Base Post	B2B-XH-A			01
* IC1	XD091A00	IC	NJM062M	OP AMP		03
* -3	XD091A00	IC	NJM062M			03
IC1	XN309A00	IC	TL062CPS			03
* -3	XN309A00	IC	TL062CPS			03
LED1	VG261500	LED	RE (3X5)	BATT.		01
R1	RD256100	Carbon Resistor (chip)	1.0K J			01
R2	RD259470	Carbon Resistor (chip)	4.7M J			01
R3	RD256680	Carbon Resistor (chip)	6.8K J			01
R4	RD257820	Carbon Resistor (chip)	82K J			01
R5	RD257100	Carbon Resistor (chip)	10K J			01
R6	RD254470	Carbon Resistor (chip)	47.0 J			01
R7	RD257150	Carbon Resistor (chip)	15K J			01
R8	RD256470	Carbon Resistor (chip)	4.7K J			01
R9	RD257330	Carbon Resistor (chip)	33K J			01
R10	RD257100	Carbon Resistor (chip)	10K J			01
R11	RD257100	Carbon Resistor (chip)	10K J			01
R12	RD256820	Carbon Resistor (chip)	8.2K J			01
R13	RD256820	Carbon Resistor (chip)	8.2K J			01
R14	RD255330	Carbon Resistor (chip)	330 J			01
R15	RD255330	Carbon Resistor (chip)	330 J			01
R16	RD256330	Carbon Resistor (chip)	3.3K J			01
R17	RD256330	Carbon Resistor (chip)	3.3K J			01
R18	RD257180	Carbon Resistor (chip)	18K J			01
R21	RD257100	Carbon Resistor (chip)	10K J			01
-23	RD257100	Carbon Resistor (chip)	10K J			01
R25	RD257220	Carbon Resistor (chip)	22K J			01
R26	RD256100	Carbon Resistor (chip)	1.0K J			01

*: New Parts

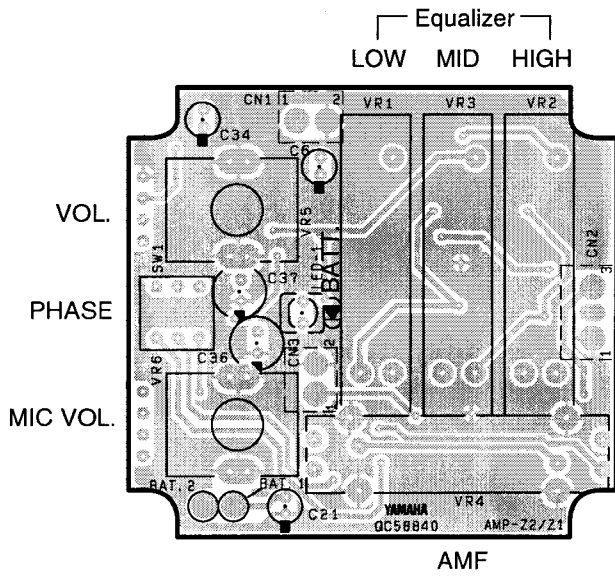
RANK: Japan only

REF NO.	PART NO.	DESCRIPTION		REMARKS	QTY	RANK
R27	RD256470	Carbon Resistor (chip)	4.7K J			01
R28	RD256680	Carbon Resistor (chip)	6.8K J			01
R29	RD257220	Carbon Resistor (chip)	22K J			01
-31	RD257220	Carbon Resistor (chip)	22K J			01
R32	RD256100	Carbon Resistor (chip)	1.0K J			01
R33	RD258100	Carbon Resistor (chip)	100K J			01
R34	RD256100	Carbon Resistor (chip)	1.0K J			01
R35	RD256220	Carbon Resistor (chip)	2.2K J			01
R36	RD257100	Carbon Resistor (chip)	10K J			01
R37	RD257100	Carbon Resistor (chip)	10K J			01
RX1	XQ685A00	IC	RH5VL55AA	RESET		02
SW1	KX804280	Push Switch	PB-2285	PHASE		02
VR1	HX808620	Slide Variable Resistor	50KB RA2043-20-15C	LOW		04
VR2	HX808620	Slide Variable Resistor	50KB RA2043-20-15C	HIGH		04
VR3	HX808630	Slide Variable Resistor	20KB RA2043-20-15C	MID		05
VR4	QC585200	Slide Variable Resistor	50KBx2 SL-2015G	AMF		
VR5	QC271300	Rotary Variable Resistor	10KB EVJ 02BF03B14	VOL.		05
VR6	QC271300	Rotary Variable Resistor	10KB EVJ 02BF03B14	MIC VOL.		05

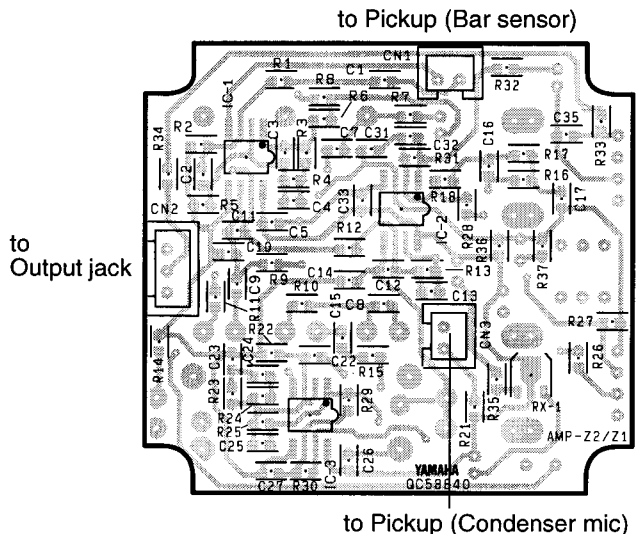
*: New Parts

RANK: J apan only

CIRCUIT BOARD



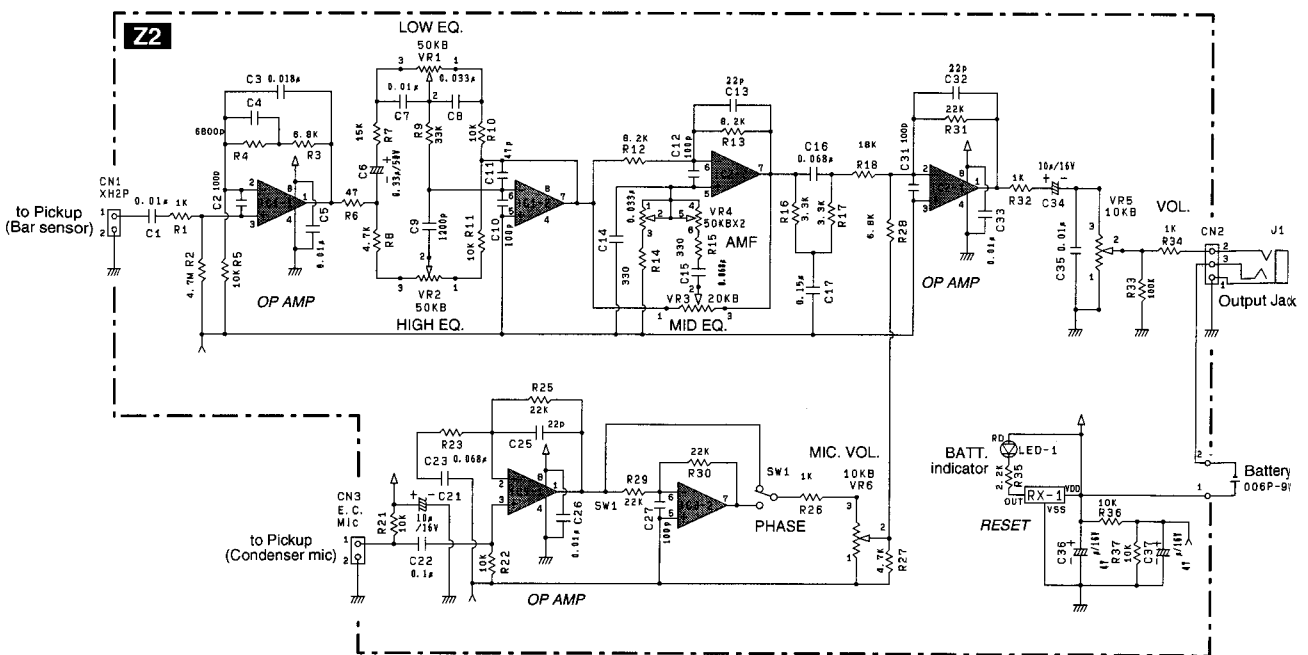
Component side



Pattern side

MC030-QC58830

CIRCUIT DIAGRAM



MC020-015