

ELECTRIC BASS

TRB-6PⅡ/TRB-5PⅡ

SERVICE MANUAL



TRB-6PⅡ



TRB-5PⅡ

■ CONTENTS

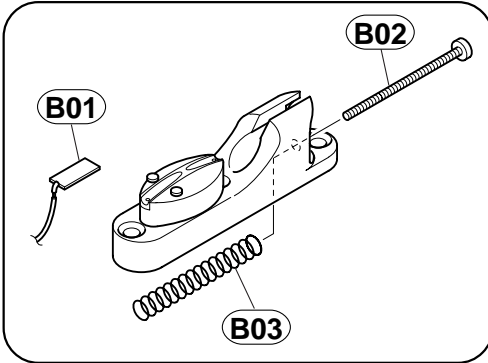
OVERALL ASSEMBLY	2
ELECTRICAL PARTS	6
CIRCUIT BOARD	8
CIRCUIT DIAGRAM	9
WIRING	10
SPECIFICATIONS	10

This document is printed on chlorine free (ECF) paper with soy ink.

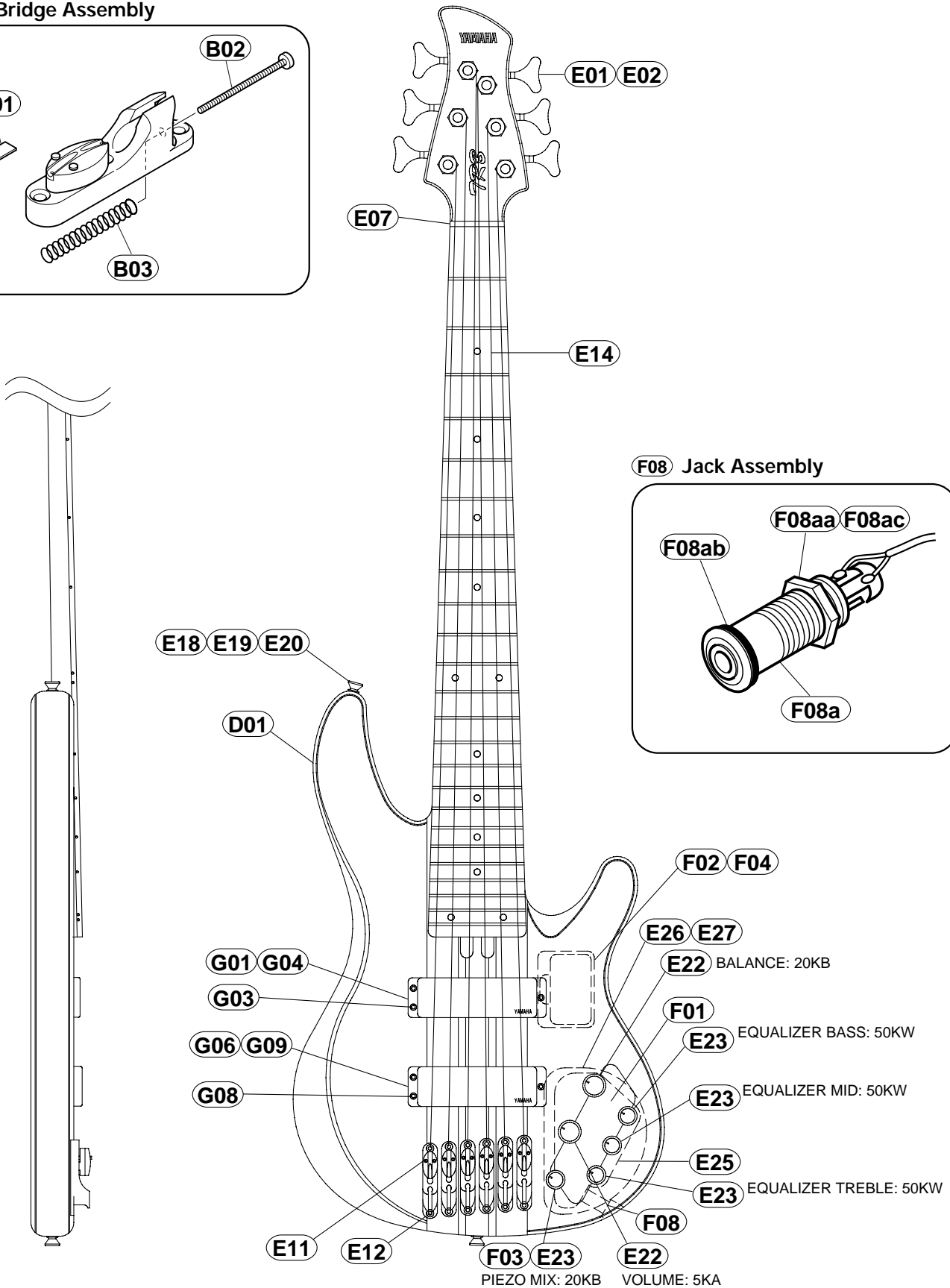
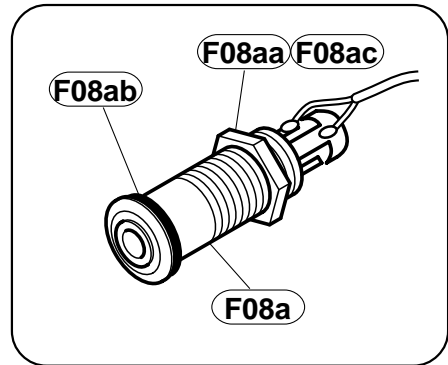
OVERALL ASSEMBLY

● TRB-6PII

E11 Bridge Assembly



F08 Jack Assembly



● TRB-6PII

REF NO.	PART NO.	DESCRIPTION		REMARKS	QTY	RANK
D01	--	OVERALL ASSEMBLY Body		TRB-6PII		
E01	QC028300	Tuning Machine Assembly	GB70L+GB7 (GOLD)		3	08
E01	QC028400	Tuning Machine Assembly	GB70+GB7 (GOLD)		3	08
E02	03704070	Round Head Wood Screw	2.4X10 (GOLD)		6	02
E07	QC428100	Nut	51mm			10
* E11	QC442900	Bridge Assembly	BPZ-7 (GOLD)		6	
* E12	QC443000	Flat Head Tapping Screw	3.5X30 (GOLD)		12	
E14	--	Strings	H6010	1set (QC02470)		
E18	QC224600	Strap Button	EP-B2 (GOLD)		2	02
E19	03706630	Oval Head Tapping Screw	3.5X25 (GOLD)		2	02
E20	VB793700	Spacer	BL		2	01
E22	QC205700	Knob Assembly	LEX B-22		2	07
E23	QC205800	Knob Assembly	LEX B-18		4	07
* E25	QC442800	Sheet				
E26	QC425800	Back Cover	Electrical (BL)			08
E27	EB620020	Oval Head Tapping Screw	2.7X13 FCM3BL (BL)		5	03
* F01	QC558600	Electrical Unit	(1) 3-BAND EQ.			
F02	VK505700	Box for Dry Cell	(2)	BATTERY 9V		07
* F03	QC449100	Rotary Variable Resistor	B-20K ohm	PIEZO MIX		
F04	QC025000	Pan Head Tapping Screw	3.0X8 FCM3BL (BL)		2	
F08	--	Electrical Unit(Jack Assy)	(3)	(QC45030)		
F08a	LX800760	Jack	NI	OUTPUT		04
F08aa	--	Hexagonal Nut				
F08ab	--	Rubber Ring				
F08ac	--	Flat Washer				
G01	QC429100	Pickup Assembly		FRONT		22
G03	EM830230	Pan Head Tapping Screw	3.0X30 FCM3BL (BL)		3	01
G04	QC232300	Pickup Cushion			2	02
G06	QC429200	Pickup Assembly		REAR		22
G08	03741140	Pan Head Tapping Screw	3.0X35 FCM3BL (BL)		3	01
G09	QC232300	Pickup Cushion			2	02
H01	QC354000	Accessory Unit	(G-1)	1set		07
	QA262600	Cord	D			05
	AA804050	Wrench	#1.5			01
	AA805430	Wrench	#5			04
* B01	QC442900	Bridge Assembly	BPZ-7 (GOLD)		6	
* B01	QC445600	Pickup Assembly		PIEZO	6	
B02	EA330400	Pan Head Screw	3.0X40 (BL)		6	01
B03	VJ402400	Spring	BL		6	01

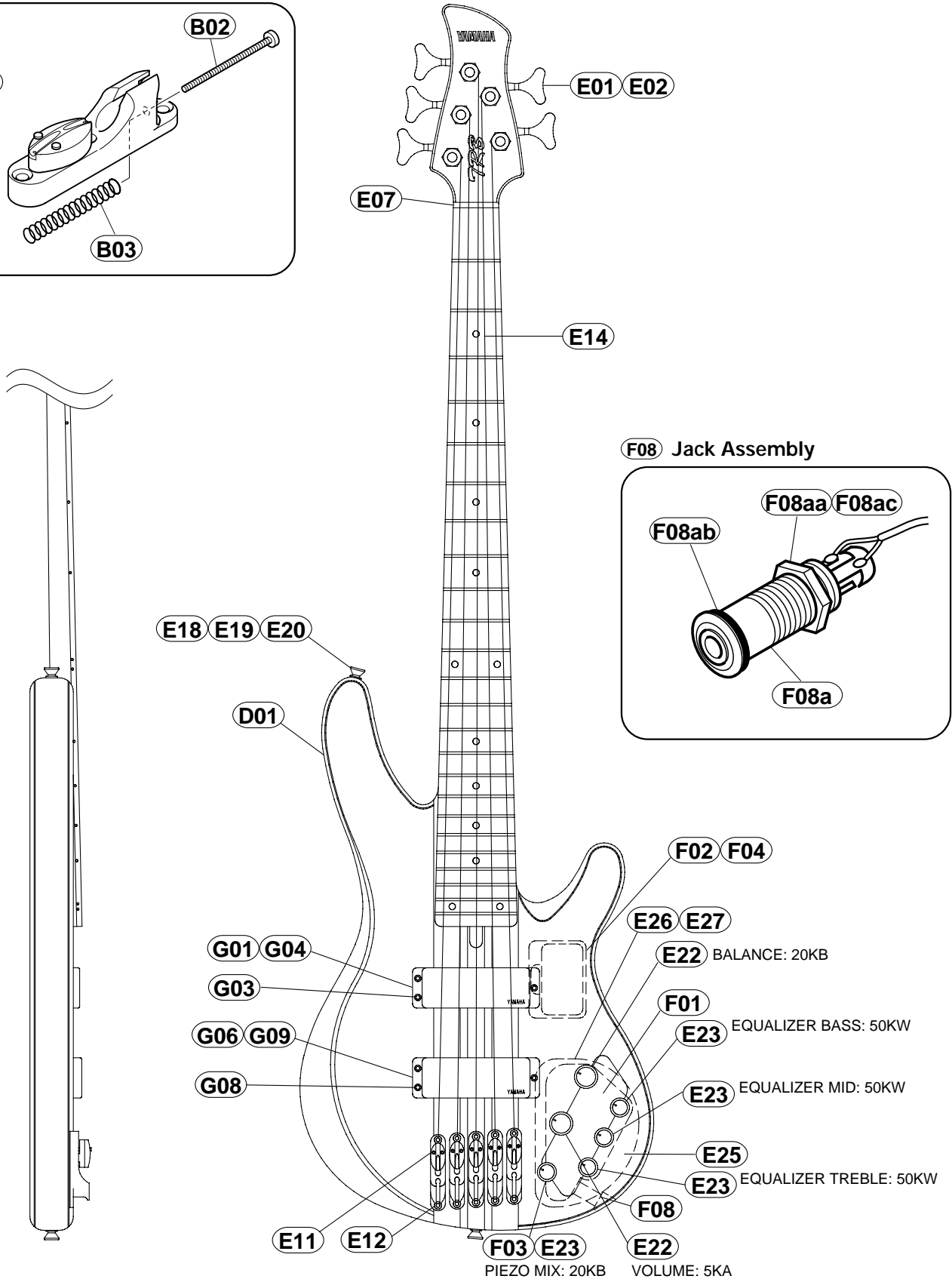
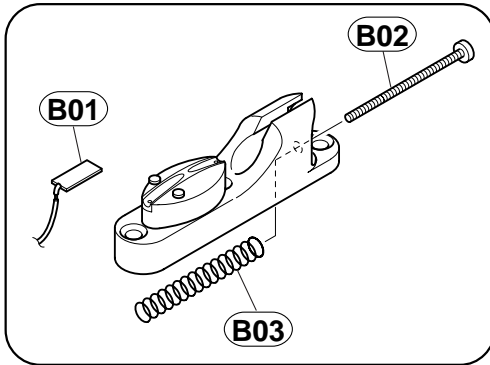
*: New Parts

RANK: Japan only

OVERALL ASSEMBLY

● TRB-5PII

E11 Bridge Assembly



● TRB-5PII

REF NO.	PART NO.	DESCRIPTION		REMARKS	QTY	RANK
D01	--	OVERALL ASSEMBLY Body		TRB-5PII		
E01	QC028300	Tuning Machine Assembly	GB70L+GB7 (GOLD)		3	08
E01	QC028400	Tuning Machine Assembly	GB70+GB7 (GOLD)		2	08
E02	03704070	Round Head Wood Screw	2.4X10 (GOLD)		5	02
E07	QC428000	Nut	43mm			10
* E11	QC442900	Bridge Assembly	BPZ-7 (GOLD)		5	
* E12	QC443000	Flat Head Tapping Screw	3.5X30 (GOLD)		10	
E14	--	Strings	H4050	1set (AA82119)		
E18	QC224600	Strap Button	EP-B2 (GOLD)		2	02
E19	03706630	Oval Head Tapping Screw	3.5X25 (GOLD)		2	02
E20	VB793700	Spacer	BL		2	01
E22	QC205700	Knob Assembly	LEX B-22		2	07
E23	QC205800	Knob Assembly	LEX B-18		4	07
* E25	QC442800	Sheet				
E26	QC425800	Back Cover	Electrical (BL)			08
E27	EB620020	Oval Head Tapping Screw	2.7X13 FCM3BL (BL)		5	03
* F01	QC558600	Electrical Unit	(1) 3-BAND EQ.			
F02	VK505700	Box for Dry Cell	(2)	BATTERY 9V		07
* F03	QC449100	Rotary Variable Resistor	B-20K ohm	PIEZO MIX		
F04	QC025000	Pan Head Tapping Screw	3.0X8 FCM3BL (BL)		2	
F08	--	Electrical Unit(Jack Assy)	(3)	(QC45030)		
F08a	LX800760	Jack	NI	OUTPUT		04
F08aa	--	Hexagonal Nut				
F08ab	--	Rubber Ring				
F08ac	--	Flat Washer				
G01	QC428900	Pickup Assembly		FRONT	22	
G03	EM830230	Pan Head Tapping Screw	3.0X30 FCM3BL (BL)		3	01
G04	QC232300	Pickup Cushion			2	02
G06	QC429000	Pickup Assembly		REAR		22
G08	03741140	Pan Head Tapping Screw	3.0X35 FCM3BL (BL)		3	01
G09	QC232300	Pickup Cushion			2	02
H01	QC354000	Accessory Unit	(G-1)	1set		07
	QA262600	Cord	D			05
	AA804050	Wrench	#1.5			01
	AA805430	Wrench	#5			04
* B01	QC442900	Bridge Assembly	BPZ-7 (GOLD)	PIEZO	5	
* B02	QC445600	Pickup Assembly			5	
B02	EA330400	Pan Head Screw	3.0X40 (BL)		5	01
B03	VJ402400	Spring	BL		5	01

*: New Parts

RANK: Japan only

ELECTRICAL PARTS

REF NO.	PART NO.	DESCRIPTION	REMARKS	QTY	RANK
		ELECTRICAL PARTS	TRB-6PⅡ/TRB-5PⅡ		
*	QC558600	Electrical Unit	(1) 3-BAND EQ.		
	QC434900	Hexagonal Nut		5	
	--	Wire	XH 2P L=150	5	
C1	FP355100	Tantalum Capacitor	0.1uF/16V		02
-4	FP355100	Tantalum Capacitor	0.1uF/16V		02
C5	FX804200	Electlytic Cap.	22u/16V R3A-16V220		05
C6	FX804200	Electlytic Cap.	22u/16V R3A-16V220		05
C21	UA153150	Mylar Capacitor	1500pF		01
C22	FG212100	Ceramic Capacitor	100pF/50V		01
C23	FP355150	Tantalum Capacitor	0.15uF/16V		02
C24	FP355150	Tantalum Capacitor	0.15uF/16V		02
C25	FG212330	Ceramic Capacitor	330pF/50V		01
C31	UI137100	Electlytic Cap.	10u/16V RC3-16V100		01
C32	FG444100	Ceramic Capacitor	0.01uF		01
C33	FX804200	Electlytic Cap.	22u/16V R3A-16V220		05
C34	UI137100	Electlytic Cap.	10u/16V RC3-16V100		01
C35	FG444100	Ceramic Capacitor	0.01uF		01
C36	UI137100	Electlytic Cap.	10u/16V RC3-16V100		01
C37	FG444100	Ceramic Capacitor	0.01uF		01
C38	UI137100	Electlytic Cap.	10u/16V RC3-16V100		01
C39	UI166100	Electlytic Cap.	1u/50V RC3-50V010M		01
C40	UI166100	Electlytic Cap.	1u/50V RC3-50V010M		01
C41	FG444100	Ceramic Capacitor	0.01uF		01
C42	FG444100	Ceramic Capacitor	0.01uF		01
C51	FG212100	Ceramic Capacitor	100pF/50V		01
C52	FG212100	Ceramic Capacitor	100pF/50V		01
C53	FX804200	Electlytic Cap.	22u/16V R3A-16V220		05
* C61	UA154180	Mylar Capacitor	0.018uF		
* C62	UA153680	Mylar Capacitor	6800pF		
C63	UI166100	Electlytic Cap.	1u/50V RC3-50V010M		01
C71	FG211470	Ceramic Capacitor	47pF/50V		01
C72	UA154270	Mylar Capacitor	0.027uF		01
C73	UA154330	Mylar Capacitor	0.033uF		03
C81	UA153220	Mylar Capacitor	2200pF		01
C82	UA153150	Mylar Capacitor	1500pF		01
C83	FG212100	Ceramic Capacitor	100pF/50V		01
C84	FG212330	Ceramic Capacitor	330pF/50V		01
C85	FG212330	Ceramic Capacitor	330pF/50V		01
CN1	LB918020	Connector	B2B-XH-A 2P		01
CN2	LB918020	Connector	B2B-XH-A 2P	to FRONT PICKUP	01
CN3	LB918040	Connector	B4B-XH-A 4P	to REAR PICKUP	01
CN4	LB918020	Connector	B2B-XH-A 2P	to OUTPUT JACK	01
CN5	LB918020	Connector	B2B-XH-A 2P	to BATTERY	01
CN6	LB918030	Connector	B3B-XH-A 3P	to PIEZO PICKUP	01
D1	IX808800	Diode	E-301	to PIEZO MIX	05
-4	IX808800	Diode	E-301		05
D5	QC183900	Diode	1SR139-100		01
IC1	IX808770	IC	OP200GP	OP AMP	12
IC2	IG070700	IC	TL062CP	OP AMP	07
IC3	IG070700	IC	TL062CP	OP AMP	07
IC4	IX808780	IC	TC7662BEP		10
L1	GX804490	Ciol	ELEXG101KA 100uH		04
-4	GX804490	Ciol	ELEXG101KA 100uH		04
Q1	IX808790	FET	2SK30ATM(O)		04
-4	IX808790	FET	2SK30ATM(O)		04
R1	HF559100	Carbon Resistor	1.0M 1/6W J		01
-4	HF559100	Carbon Resistor	1.0M 1/6W J		01
R5	HF559220	Carbon Resistor	2.2M 1/6W J		03
-8	HF559220	Carbon Resistor	2.2M 1/6W J		03
R9	HF556680	Carbon Resistor	6.8K 1/6W J		01
-12	HF556680	Carbon Resistor	6.8K 1/6W J		01
R13	HF557100	Carbon Resistor	10K 1/6W J		01
R14	HF557100	Carbon Resistor	10K 1/6W J		01
R15	HF556470	Carbon Resistor	4.7K 1/6W J		01
R16	HF556470	Carbon Resistor	4.7K 1/6W J		01
R21	HF558470	Carbon Resistor	470K 1/6W J		03
R22	HF556470	Carbon Resistor	4.7K 1/6W J		01
R23	HF557270	Carbon Resistor	27K 1/6W J		01
R24	HF557220	Carbon Resistor	22K 1/6W J		01

*: New Parts

RANK: Japan only

REF NO.	PART NO.	DESCRIPTION	REMARKS	QTY	RANK
R25	HF557470	Carbon Resistor	47K 1/6W J		01
R26	HF557150	Carbon Resistor	15K 1/6W J		01
R31	HF557330	Carbon Resistor	33K 1/6W J		01
R32	HF557270	Carbon Resistor	27K 1/6W J		01
R51	HF557470	Carbon Resistor	47K 1/6W J		01
R52	HF557470	Carbon Resistor	47K 1/6W J		01
R53	HF557330	Carbon Resistor	33K 1/6W J		01
R54	HF554330	Carbon Resistor	33 1/6W J		03
R55	HF557180	Carbon Resistor	18K 1/6W J		01
R56	HF557220	Carbon Resistor	22K 1/6W J		01
R57	HF554330	Carbon Resistor	33 1/6W J		03
R61	HF557330	Carbon Resistor	33K 1/6W J		01
R62	HF557330	Carbon Resistor	33K 1/6W J		01
R63	HF557120	Carbon Resistor	12K 1/6W J		01
R64	HF557680	Carbon Resistor	68K 1/6W J		01
R65	HF557470	Carbon Resistor	47K 1/6W J		01
R71	HF554330	Carbon Resistor	33 1/6W J		03
R72	HF557220	Carbon Resistor	22K 1/6W J		01
R73	HF557220	Carbon Resistor	22K 1/6W J		01
R74	HF557220	Carbon Resistor	22K 1/6W J		01
R75	HF557220	Carbon Resistor	22K 1/6W J		01
R76	HF556100	Carbon Resistor	1.0K 1/6W J		01
R81	HF557330	Carbon Resistor	33K 1/6W J		01
R82	HF557470	Carbon Resistor	47K 1/6W J		01
R83	HF557100	Carbon Resistor	10K 1/6W J		01
R84	HF557100	Carbon Resistor	10K 1/6W J		01
R85	HF557220	Carbon Resistor	22K 1/6W J		01
R86	HF557100	Carbon Resistor	10K 1/6W J		01
R87	HF556330	Carbon Resistor	3.3K 1/6W J		01
R88	HF557470	Carbon Resistor	47K 1/6W J		01
R89	HF557470	Carbon Resistor	47K 1/6W J		01
* VR1	AAX14660	Rotary Variable Resistor	RK14K1240B24 20KB	BALANCE	
* VR2	AAX14670	Rotary Variable Resistor	RK14K1240A53 5KA	VOLUME	
* VR3	AAX14680	Rotary Variable Resistor	RK14K1240W54 50KW	EQUALIZER BASS	
* VR4	AAX14680	Rotary Variable Resistor	RK14K1240W54 50KW	EQUALIZER MID	
* VR5	AAX14680	Rotary Variable Resistor	RK14K1240W54 50KW	EQUALIZER TREBLE	
VR7	HX809170	Trimmer Potentiometer	EVND8AAO BQ3 4.7K	Noise cancel	04
VR8	HX809170	Trimmer Potentiometer	EVND8AAO BQ3 4.7K	Noise cancel	04

*: New Parts

RANK: Japan only

WARNING : CHEMICAL CONTENT NOTICE!

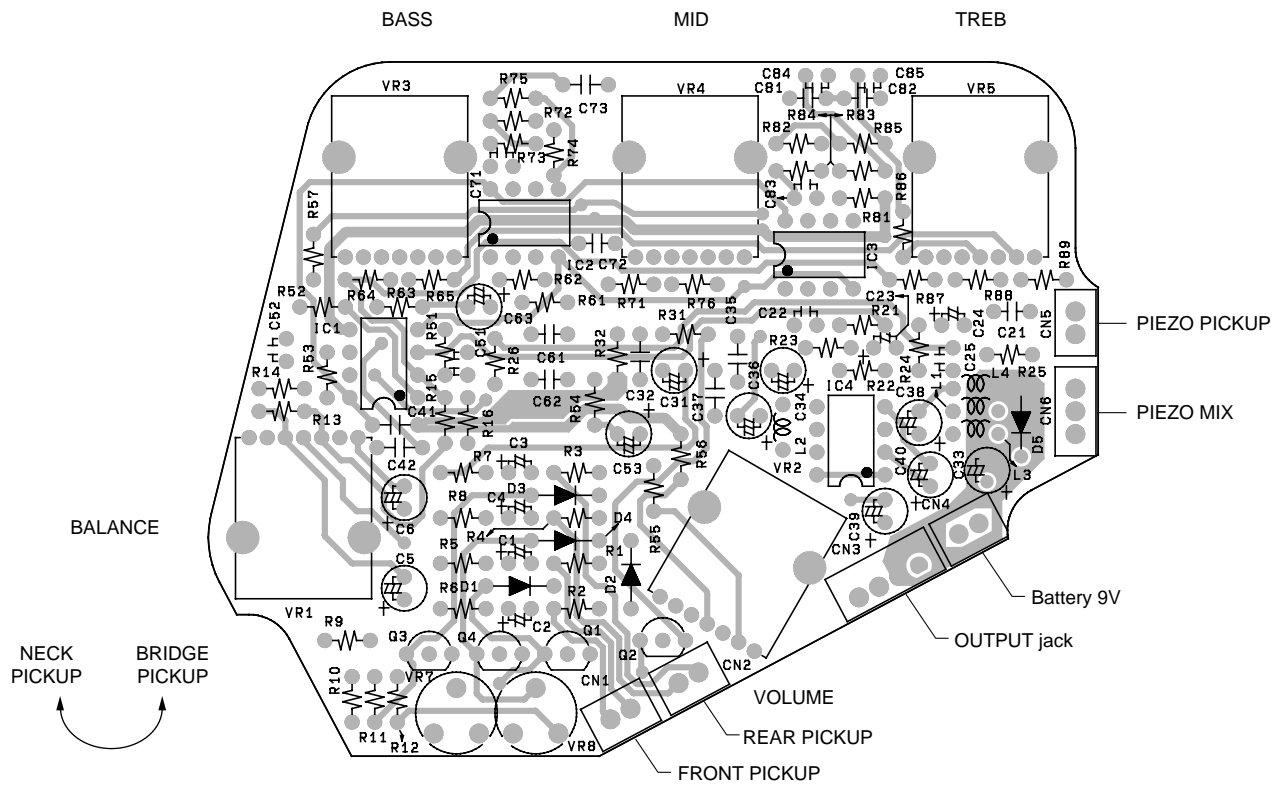
The solder used in the production of this product contains LEAD. In addition, other electrical/electronic and/or plastic (Where applicable) components may also contain traces of chemicals found by the California Health and Welfare Agency (and possibly other entities) to cause cancer and/or birth defects or other reproductive harm.

DO NOT PLACE SOLDER, ELECTRICAL/ELECTRONIC OR PLASTIC COMPONENTS IN YOUR MOUTH FOR ANY REASON WHAT SO EVER!

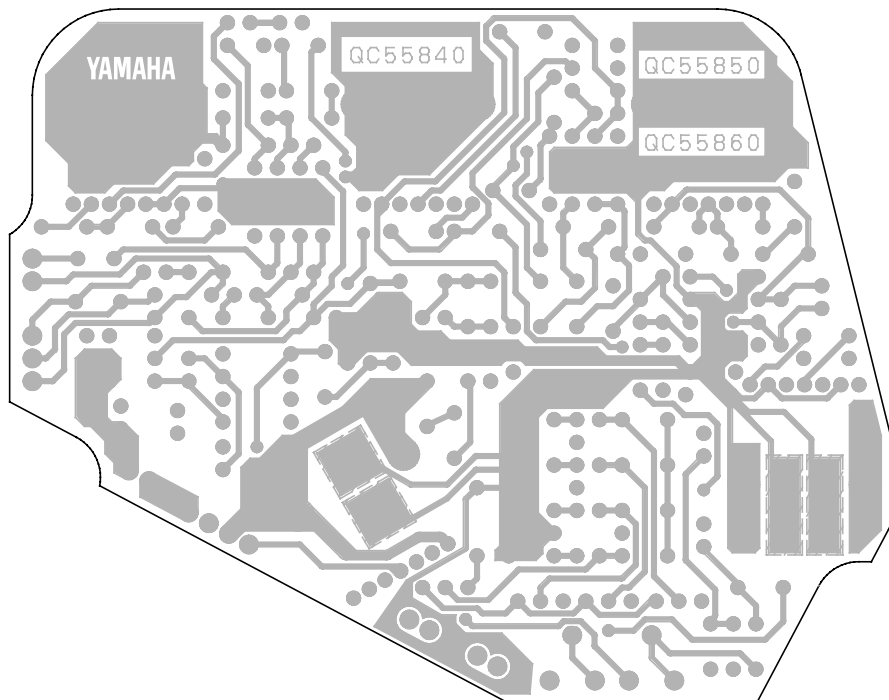
Avoid prolonged, unprotected contact between solder and your skin! When soldering, do not inhale solder fumes or expose eyes to solder/flux vapor!

If you come in contact with solder or components located inside the enclosure of this product, wash your hands before handling food.

CIRCUIT BOARD

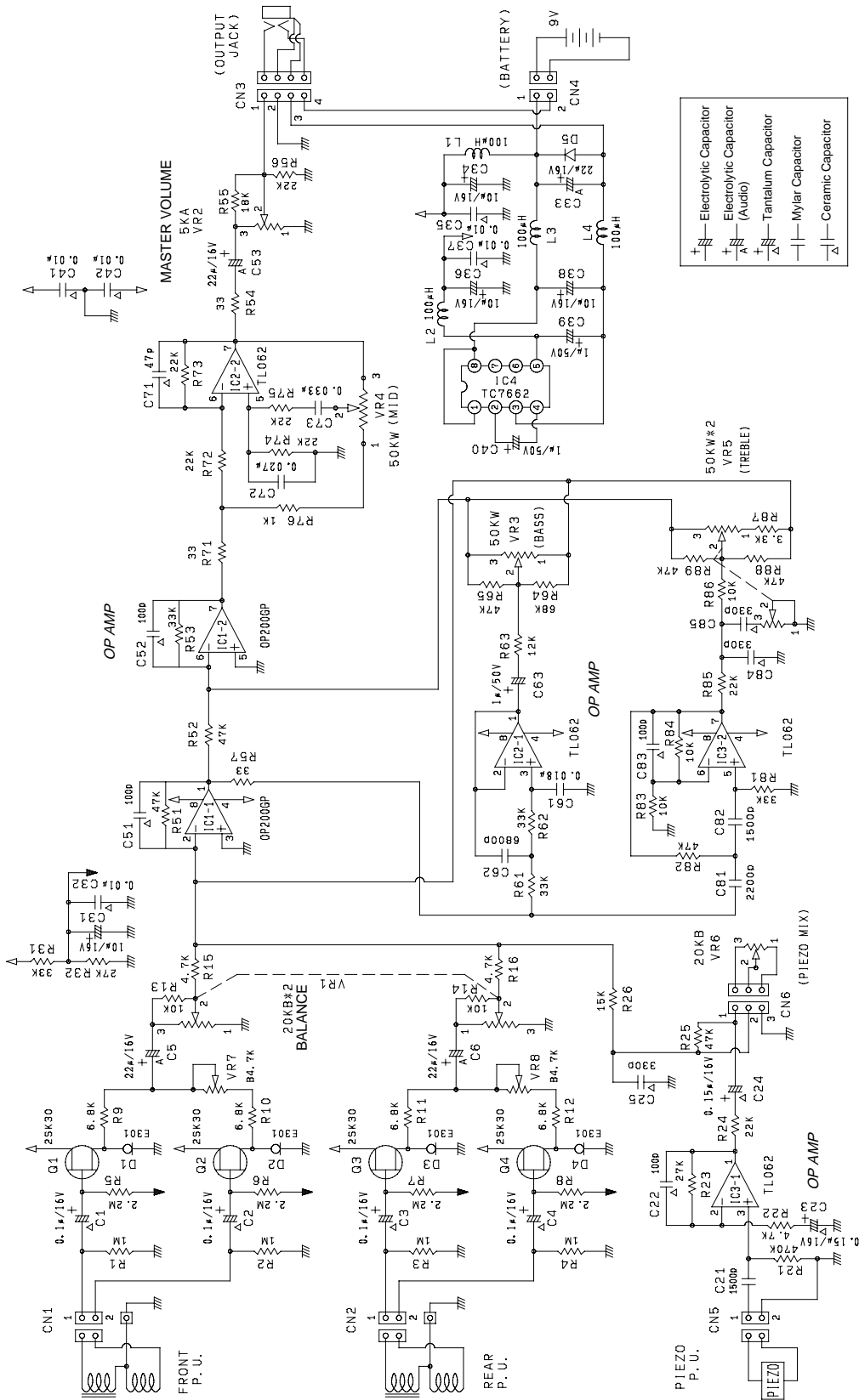


Component side



Pattern side

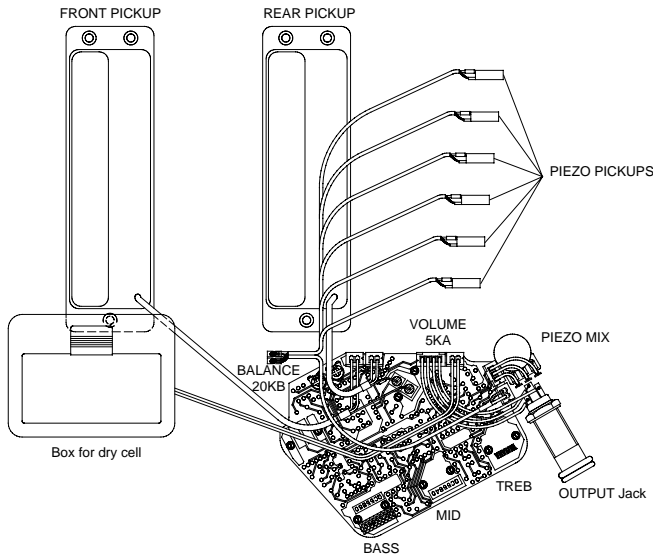
CIRCUIT DIAGRAM



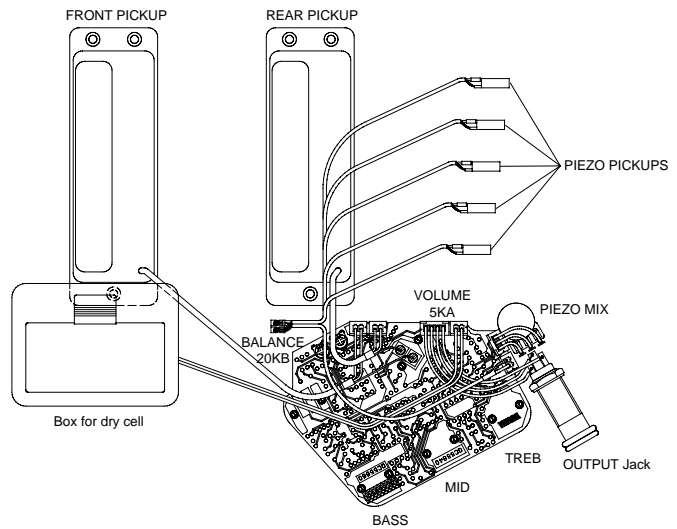
STE-BACCP-01

■ WIRING

● TRB-6PII



● TRB-5PII



■ SPECIFICATIONS

● TRB-6PII

● STANDARD SPECIFICATIONS

Scale Length	889.0mm
Body-Neck Construction	Through Neck
Length	1177mm
Width	355mm
Net Weight	5.2kg

● COLOR

Body

YN	Yellow Natural
TN	Tinted Natural

Neck

YN	Yellow Natural
TN	Tinted Natural

● BODY

Material	Light Ash/Figured Maple/Walnut
Body Depth	41.0mm

● FINGERBOARD

Material	Ebony
Fingerboard Width	0-F 52.0 mm, 12-F 79.6 mm
No. of Frets	24

● NECK

Material	Maple/Mahogany
Neck Thickness	1-F 20.7 mm, 12-F 25.7 mm

● PARTS

Hardware	Gold
Nut	Bone
Bridge	BPZ-7 (Gold)
Strings	YAMAHA H6010

● CONTROLS

Volume	5KA x 1
Balance	20KB x 1
Piezo Volume	20KB x 1
Equalizer	50KW x 3

● PICKUPS

Front/Rear	Double Coil
Magnet	
Front/Rear	Alnico V

■ SPECIFICATIONS

● TRB-5PII

● STANDARD SPECIFICATIONS

Scale Length 889.0mm
 Body-Neck Construction Through Neck
 Length 1160mm
 Width 334.5mm
 Net Weight 4.5kg

● COLOR

Body
 YN Yellow Natural
 TN Tinted Natural
 Neck
 YN Yellow Natural
 TN Tinted Natural

● BODY

Material Light Ash+Figured Maple or Buringa or
 Ordngkol
 Body Depth 41.0mm

● FINGERBOARD

Material Ebony
 Fingerboard Width 0-F 43.0 mm, 12-F 65.9 mm
 No. of Frets 24

● NECK

Material Maple/Mahogany
 Neck Thickness 1-F 20.7 mm, 12-F 25.7 mm

● PARTS

Hardware Gold
 Nut Bone
 Bridge BPZ-7 (Gold)
 Strings YAMAHA H4050

● CONTROLS

Volume 5KA x 1
 Balance 20KB x 1
 Piezo Volume 20KB x 1
 Equalizer 50KW x 3

● PICKUPS

Front/Rear Double Coil
 Magnet
 Front/Rear Alnico V