

# ELECTRIC BASS TRB-JP2

## SERVICE MANUAL

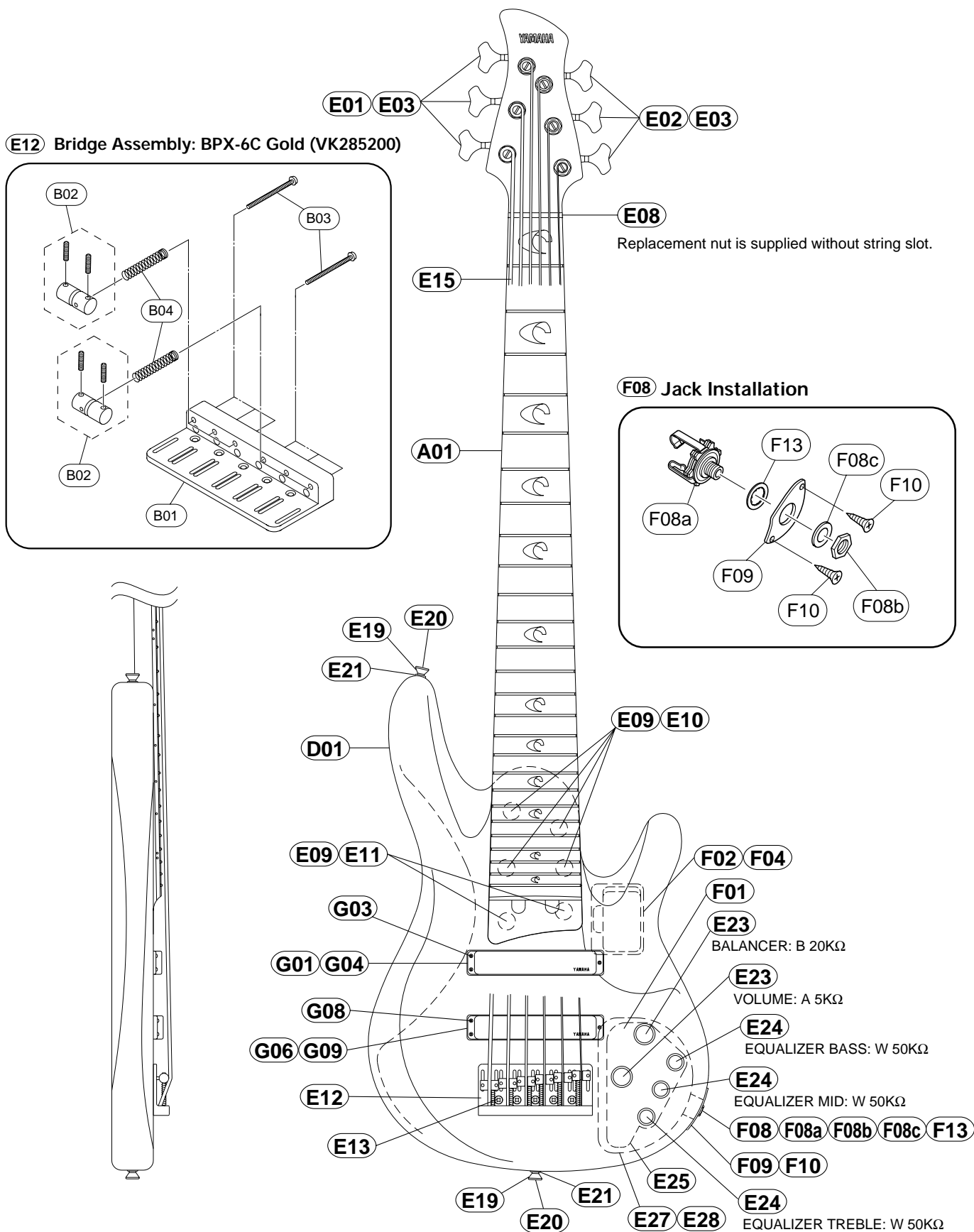


TRB-JP2 (TDR)

### ■ CONTENTS

OVERALL ASSEMBLY .....	2
ELECTRICAL PARTS .....	4
CIRCUIT BOARD .....	6
CIRCUIT DIAGRAM .....	7
WIRING .....	8
SPECIFICATIONS .....	9

# OVERALL ASSEMBLY



REF NO.	PART NO.	DESCRIPTION		REMARKS	QTY	RANK
* A01	AAX46370	OVERALL ASSEMBLY		TRB-JP2		
* A01	AAX46380	Neck Assembly		TDR		
		Neck Assembly		AM		
D01	--	Body				
E01	QC648000	Tuning Machine Assembly	GB72L (Gold)	RIGHT	3	09
E02	QC648100	Tuning Machine Assembly	GB72 (Gold)	LEFT	3	09
E03	03704070	Round Head Wood Screw	2.4X10 (Gold)		6	02
E08	QC023900	Nut	Bone 56mm			07
E09	QC205100	Neck Joint Bushing	Gold		6	
* E10	VS414200	Oval Head Tapping Screw	5.0X40 (Gold)		4	
* E11	QC748700	Oval Head Tapping Screw	5.0X35 (Gold)		2	
E12	VK285200	Bridge Assembly	BPX-6C (Gold)			21
E13	QA170100	Oval Head Tapping Screw	4.0X35 (Gold)		5	01
E15	--	Strings	H6010	1set (QC02470)		
E19	QC224600	Strap Button	EP-B2 (Gold)		2	02
E20	03706630	Oval Head Tapping Screw	3.5X25 (Gold)		2	02
E21	VB793700	Spacer	Felt (Black)		2	01
E23	QC205700	Knob Assembly L	Large LEX B-22	BALANCER, VOLUME	2	07
E24	QC205800	Knob Assembly S	Small LEX B-18	EQUALIZER BASS/MID/TREBLE	3	07
E25	QC429500	Instruction Sheet				05
E27	QC425800	Back Cover	Electrical (Black)			08
E28	EN220040	Oval Head Tapping Screw	2.6X12 FCM3BL	Black	5	
* F01	QC748600	Circuit Board	3-BAND EQ. Control			
F02	VK505700	Box for Dry Cell		with Battery Cord		07
F04	QC025000	Pan Head Tapping Screw	3.0X8 FCM3BL	Black	2	
F08	--	Electrical Unit(Jack Assy)		(QC64430)		
F08a	VS001100	Jack	ST Open type (Gold)	OUTPUT		04
F08b	AAX30770	Hexagonal Nut	Gold			
F08c	AAX30780	Flat Washer	Gold			
F09	QC385500	Jack Panel	JCB-2 (Gold)			06
F10	03706300	Oval Head Wood Screw	2.7X13 (Gold)		2	
F13	ET800180	Toothed Lock Washer	A9S FNM33G (Nickel)			01
G01	QC209800	Pickup Assembly	Humcancel S/C	FRONT		17
G03	VJ388800	Pan Head Tapping Screw	2.6X35 FCM3BL	Black	3	02
G04	QC232300	Pickup Cushion				02
G06	QC209900	Pickup Assembly	Humcancel S/C	REAR		17
G08	VJ388800	Pan Head Tapping Screw	2.6X35 FCM3BL	Black	3	02
G09	QC232300	Pickup Cushion				02
H01	QC354000	Accessory Unit	G-1	1set		07
	QA262600	Cord	D			05
	AA804050	Wrench	#1.5			01
	AA805430	Wrench	#5			04
H02	--	Battery	6LR61 9V Dry Cell	(QC65770)		
I07	--	Hard Case	GB20JP	(QC75890)		
* B01	VK285200	Bridge Assembly	BPX-6C (Gold)			21
B02	VK286100	Bridge Base	Gold			
B02	QC179000	Bridge Piece Assembly	Gold	with set screw (M3X15)	6	06
B03	EX803380	Pan Head Screw	3.5X38 FCM3BL	Black	6	02
B04	VJ402400	Spring	FCM3BL (Black)		6	01

\*: New Parts

RANK: Japan only

# ELECTRICAL PARTS

REF NO.	PART NO.	DESCRIPTION		REMARKS	QTY	RANK
		ELECTRICAL PARTS		TRB-JP2		
*	QC748600	Circuit Board	3-BAND EQ. Control	(QC55840)		
*	QC748600	Circuit Board	3-BAND EQ. Control	(QC55840)		
	--	Hexagonal Nut		with Volume	5	
	--	Flat Washer		with Volume	5	
	--	Toothed Lock Washer		with Volume	5	
	QC434900	Hexagonal Nut			5	06
C01	FP355100	Tantalum Capacitor	0.1uF/16V			02
C03	FP355100	Tantalum Capacitor	0.1uF/16V			02
C05	FX804200	Electrolytic Cap.	22u/16V R3A-16V220			05
C06	FX804200	Electrolytic Cap.	22u/16V R3A-16V220			05
C31	UI137100	Electrolytic Cap.	10u/16V RC3-16V100			01
C32	FG444100	Ceramic Capacitor	0.01uF			01
C33	FX804200	Electrolytic Cap.	22u/16V R3A-16V220			05
C34	UI137100	Electrolytic Cap.	10u/16V RC3-16V100			01
C35	FG444100	Ceramic Capacitor	0.01uF			01
C36	UI137100	Electrolytic Cap.	10u/16V RC3-16V100			01
C37	FG444100	Ceramic Capacitor	0.01uF			01
C38	UI137100	Electrolytic Cap.	10u/16V RC3-16V100			01
C39	UI166100	Electrolytic Cap.	1u/50V RC3-50V010M			01
C40	UI166100	Electrolytic Cap.	1u/50V RC3-50V010M			01
C41	FG444100	Ceramic Capacitor	0.01uF			01
C42	FG444100	Ceramic Capacitor	0.01uF			01
C51	FG212100	Ceramic Capacitor	100pF/50V			01
C52	FG212100	Ceramic Capacitor	100pF/50V			01
C53	FX804200	Electrolytic Cap.	22u/16V R3A-16V220			05
C61	UA154680	Mylar Capacitor	0.068uF/50V			02
C62	VC839100	Metal Film Resistor	33K 1/4W			01
C63	UI166100	Electrolytic Cap.	1u/50V RC3-50V010M			01
C71	FG211470	Ceramic Capacitor	47pF/50V			01
C72	UA154270	Mylar Capacitor	0.027uF			01
C73	UA154330	Mylar Capacitor	0.033uF			03
C81	UA153220	Mylar Capacitor	2200pF			01
C82	UA153150	Mylar Capacitor	1500pF			01
C83	FG212100	Ceramic Capacitor	100pF/50V			01
C84	FG212330	Ceramic Capacitor	330pF/50V			01
C85	FG212330	Ceramic Capacitor	330pF/50V			01
CN1	LB918020	Connector	B2B-XH-A 2P	to FRONT Pickup		01
CN2	LB918020	Connector	B2B-XH-A 2P	to REAR Pickup		01
CN3	LB918040	Connector	B4B-XH-A 4P	to OUTPUT Jack		01
CN4	LB918020	Connector	B2B-XH-A 2P	to Battery		01
D01	IX808800	Diode	E-301			05
D03	IX808800	Diode	E-301			05
*	D05	AAX46390	Diode	1SR139-400		
	IC1	IX808770	IC	OP200GP	OP AMP	12
	IC2	IG070700	IC	TL062CP	OP AMP	07
	IC3	IG070700	IC	TL062CP	OP AMP	07
	IC4	IX808780	IC	TC7662BEPA	} REGULATOR	10
	IC4	IX808780	IC	ICL7660SIPA		10
	L01	GX804490	Coil	ELEXG101KA 100uH		04
	-04	GX804490	Coil	ELEXG101KA 100uH		04
	Q01	IX808790	FET	2SK30ATM(O)		04
	Q03	IX808790	FET	2SK30ATM(O)		04
*	R01	HF558330	Carbon Resistor	330K 1/6W J		
	R02	--	Jumper Wire	L=5mm		
	R03	HF557470	Carbon Resistor	47K 1/6W J		01
	R04	--	Jumper Wire	L=5mm		
	R05	HF559220	Carbon Resistor	2.2M 1/6W J		03
	R07	HF559220	Carbon Resistor	2.2M 1/6W J		03
	R09	HF556680	Carbon Resistor	6.8K 1/6W J		01
	R11	HF556680	Carbon Resistor	6.8K 1/6W J		01
	R13	HF557100	Carbon Resistor	10K 1/6W J		01
	R14	HF557100	Carbon Resistor	10K 1/6W J		01
	R15	HF556470	Carbon Resistor	4.7K 1/6W J		01
	R16	HF556470	Carbon Resistor	4.7K 1/6W J		01
	R21	HF558470	Carbon Resistor	470K 1/6W J		03
	R23	HF557270	Carbon Resistor	27K 1/6W J		01
	R31	HF557330	Carbon Resistor	33K 1/6W J		01
	R32	HF557270	Carbon Resistor	27K 1/6W J		01

\*: New Parts

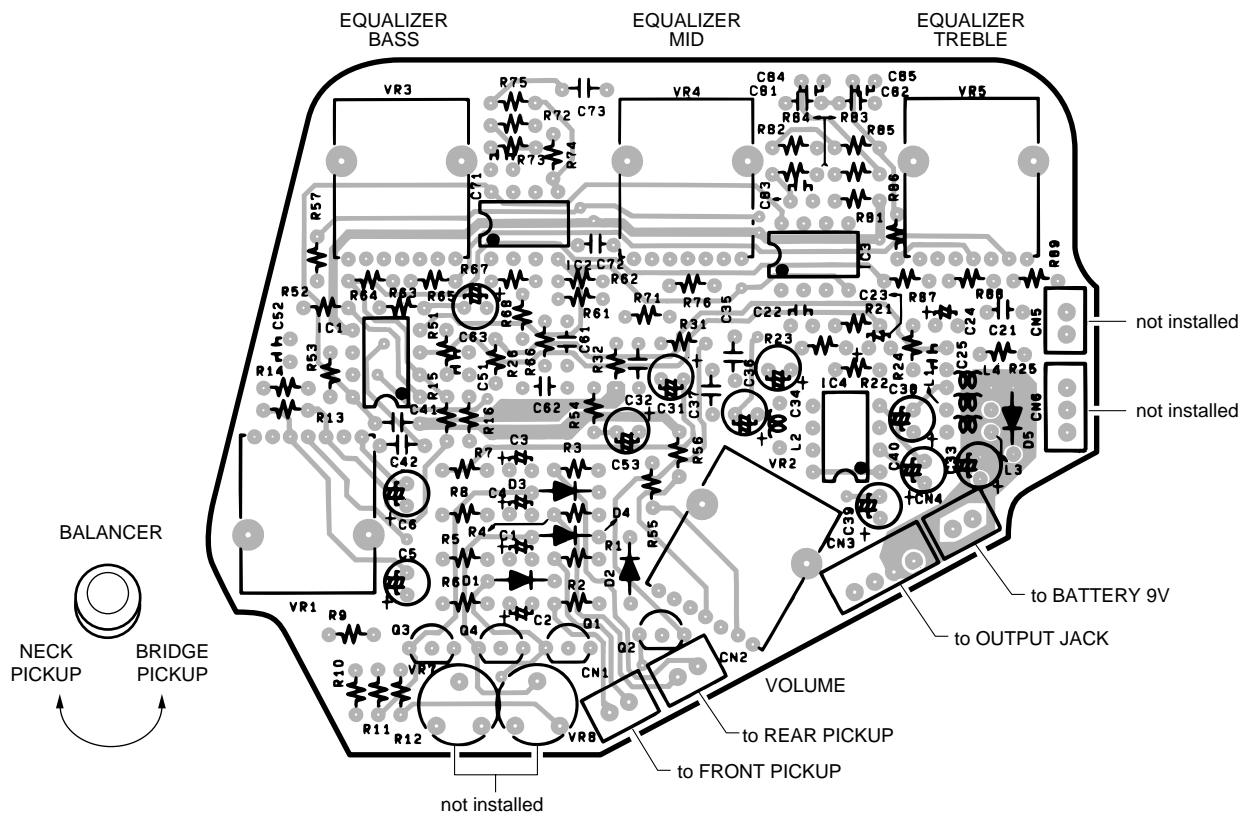
RANK: Japan only

REF NO.	PART NO.	DESCRIPTION		REMARKS	QTY	RANK
R51	HF557470	Carbon Resistor	47K 1/6W J			01
R52	HF557470	Carbon Resistor	47K 1/6W J			01
R53	HF557330	Carbon Resistor	33K 1/6W J			01
R54	HF554330	Carbon Resistor	33 1/6W J			03
R55	HF557180	Carbon Resistor	18K 1/6W J			01
R56	HF557220	Carbon Resistor	22K 1/6W J			01
R57	HF554330	Carbon Resistor	33 1/6W J			03
R61	VC839100	Metal Film Resistor	33K 1/4W			01
R62	UA154680	Mylar Capacitor	0.068uF/50V			02
* R63	HF558200	Carbon Resistor	200K 1/6W J			
R66	VC839100	Metal Film Resistor	33K 1/4W			01
* R67	HF557360	Carbon Resistor	36K 1/6W J			
R68	HF557100	Carbon Resistor	10K 1/6W J			01
R71	HF554330	Carbon Resistor	33 1/6W J			03
R72	HF557220	Carbon Resistor	22K 1/6W J			01
-75	HF557220	Carbon Resistor	22K 1/6W J			01
R76	HF556100	Carbon Resistor	1.0K 1/6W J			01
R81	HF557330	Carbon Resistor	33K 1/6W J			01
R82	HF557470	Carbon Resistor	47K 1/6W J			01
R83	HF557100	Carbon Resistor	10K 1/6W J			01
R84	HF557100	Carbon Resistor	10K 1/6W J			01
R85	HF557220	Carbon Resistor	22K 1/6W J			01
R86	HF557100	Carbon Resistor	10K 1/6W J			01
R87	HF556330	Carbon Resistor	3.3K 1/6W J			01
R88	HF557470	Carbon Resistor	47K 1/6W J			01
R89	HF557470	Carbon Resistor	47K 1/6W J			01
VR1	AAX14660	Rotary Variable Resistor	RK14K1240B24 20KB	BALANCER		04
VR2	AAX14670	Rotary Variable Resistor	RK14K1240A53 5KA	VOLUME		04
VR3	AAX14680	Rotary Variable Resistor	RK14K1240W54 50KW	EQUALIZER BASS/MID/TREBLE		04
-5	AAX14680	Rotary Variable Resistor	RK14K1240W54 50KW			04

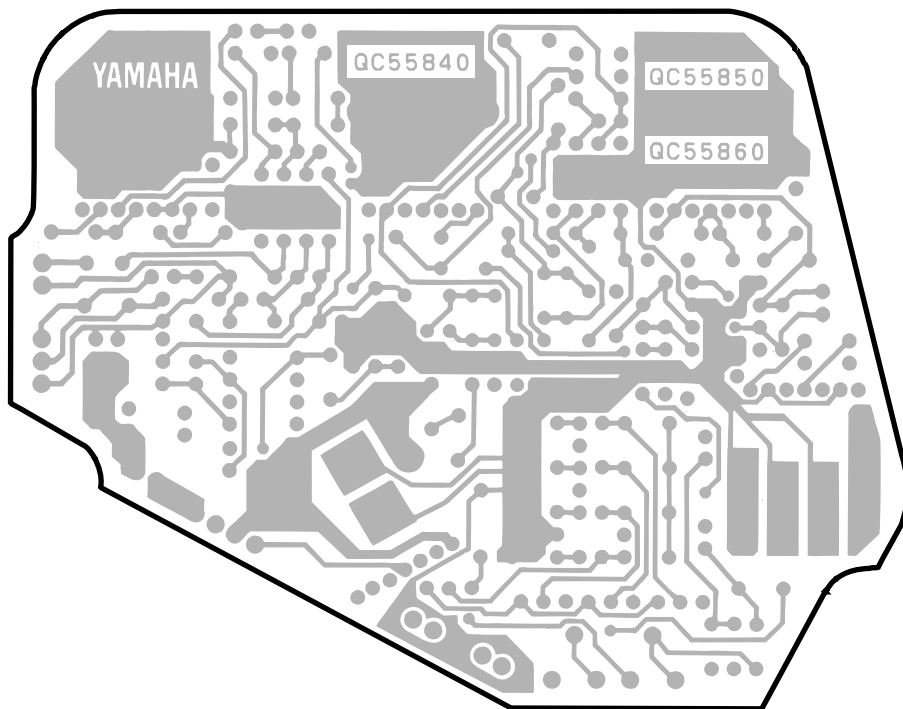
\*: New Parts

RANK: Japan only

# CIRCUIT BOARD



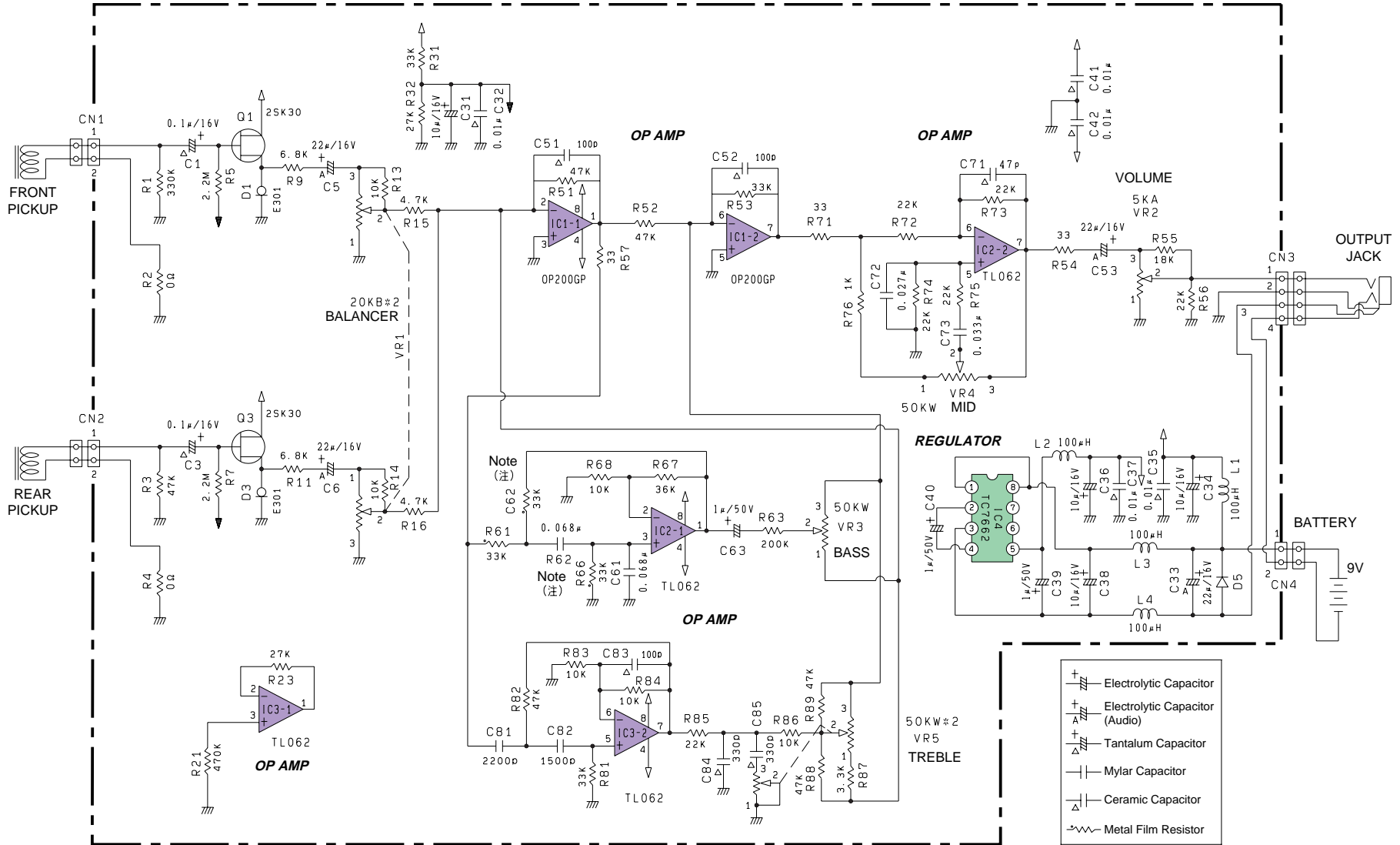
Component side



Pattern side

Note: See parts list for details of circuit board component parts.

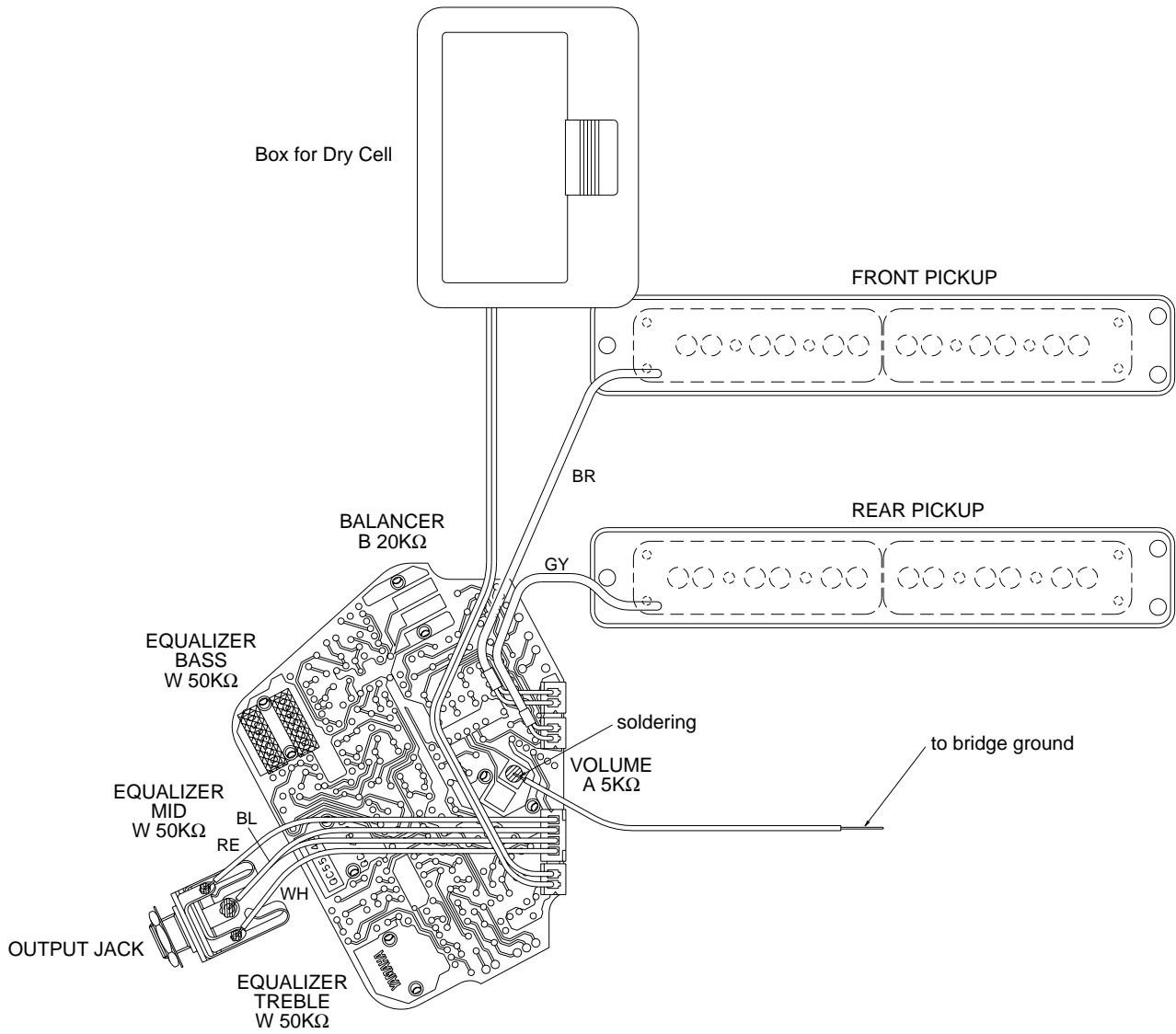
# CIRCUIT DIAGRAM



Note: C62 uses a resistor and R62 uses a capacitor.

BAJJ-09

# WIRING





## ■ SPECIFICATIONS

### ● STANDARD SPECIFICATIONS

Scale Length ..... 889.0mm  
 Body-Neck Construction ..... Bolt On  
 Length ..... 1200.0mm  
 Width ..... 353.0mm  
 Net Weight ..... 5.2kg

### ● COLOR

Body  
 TDR ..... Translucent Dark Red  
 AM ..... Amber  
 Neck  
 TDR ..... Translucent Dark Red  
 AM ..... Amber

### ● BODY

Material ..... Exotic Maple + Ash + Alder +  
 Exotic Maple Back  
 Body Depth ..... 43mm

### ● FINGERBOARD

Material ..... Ebony  
 Fingerboard Width ..... 0-F 56.0mm, 12-F 81.1mm  
 No. of Frets ..... 26

### ● NECK

Material ..... Maple  
 Neck Thickness ..... 1-F 21.0mm, 12-F 23.5mm

### ● PARTS

Hardware ..... Gold Plated  
 Nut ..... Bone  
 Bridge ..... BPX-6C (Gold)  
 Strings ..... H6010

### ● CONTROLS

Volume ..... A 5K $\Omega$  x 1  
 Balancer ..... B 20K $\Omega$  x 1  
 Equalizer ..... W 50K $\Omega$  x 3 (BASS, MID, TREBLE)

### ● PICKUPS

Front/Rear ..... Humcancel Single Coil  
 Magnet  
 Front/Rear ..... Alnico V

### **WARNING: CHEMICAL CONTENT NOTICE!**

The solder used in the production of this product contains LEAD. In addition, other electrical/electronic and/or plastic (Where applicable) components may also contain traces of chemicals found by the California Health and Welfare Agency (and possibly other entities) to cause cancer and/or birth defects or other reproductive harm.

DO NOT PLACE SOLDER, ELECTRICAL/ELECTRONIC OR PLASTIC COMPONENTS IN YOUR MOUTH FOR ANY REASON WHAT SO EVER!

Avoid prolonged, unprotected contact between solder and your skin! When soldering, do not inhale solder fumes or expose eyes to solder/flux vapor!

If you come in contact with solder or components located inside the enclosure of this product, wash your hands before handling food.