

POWER AMPLIFIER P 5000S/P 7000S

SERVICE MANUAL



P5000S



P7000S

A manufacture number should use this manual with goods of 9 or more figures.
(本マニュアルは、製造番号が9桁以上の商品でご使用ください。)

The example of a manufacture number

(製造番号例)

UCCKX01001

└──────────┘

9-11 figures

(9~11桁)

The service manual of PA[011698] should be used for the goods whose manufacture number is 7 figures.

(製造番号が7桁の商品は、PA[011698]のサービスマニュアルをご使用ください。)

The example of a manufacture number

(製造番号例)

KL01001

└────────┘

7 figures

(7桁)

■ CONTENTS (目次)

SPECIFICATIONS (総合仕様).....	3/4
DIMENSIONS (寸法図).....	5
PERFORMANCE GRAPHS (特性図).....	5
PANEL LAYOUT (パネルレイアウト).....	6
CIRCUIT BOARD LAYOUT&WIRING (ユニットレイアウト&結線図).....	8
DISASSEMBLY PROCEDURE (分解手順).....	14
IC BLOCK DIAGRAM (ICブロック図).....	21
CIRCUIT BOARDS (シート基板図).....	22
INSPECTION (検査).....	35/43
PARTS LIST	
BLOCK DIAGRAM (ブロックダイアグラム)	
WIRING (基板結線図)	
OVERALL CIRCUIT DIAGRAM (総回路図)	

PA 011756

P5000S: 200410-162750
P7000S: 200410-194250



HAMAMATSU, JAPAN

IMPORTANT NOTICE

This manual has been provided for the use of authorized Yamaha Retailers and their service personnel. It has been assumed that basic service procedures inherent to the industry, and more specifically Yamaha Products, are already known and understood by the users, and have therefore not been restated.

WARNING: Failure to follow appropriate service and safety procedures when servicing this product may result in personal injury, destruction of expensive components and failure of the product to perform as specified. For these reasons, we advise all Yamaha product owners that all service required should be performed by an authorized Yamaha Retailer or the appointed service representative.

IMPORTANT: This presentation or sale of this manual to any individual or firm does not constitute authorization, certification, recognition of any applicable technical capabilities, or establish a principal-agent relationship of any form.

The data provided is believed to be accurate and applicable to the unit(s) indicated on the cover. The research engineering, and service departments of Yamaha are continually striving to improve Yamaha products. Modifications are, therefore, inevitable and changes in specification are subject to change without notice or obligation to retrofit. Should any discrepancy appear to exist, please contact the distributor's Service Division.

WARNING: Static discharges can destroy expensive components. Discharge any static electricity your body may have accumulated by grounding yourself to the ground bus in the unit (heavy gauge black wires connect to this bus).

IMPORTANT: Turn the unit OFF during disassembly and parts replacement. Recheck all work before you apply power to the unit.

WARNING: CHEMICAL CONTENT NOTICE!

The solder used in the production of this product contains LEAD. In addition, other electrical / electronic and / or plastic (where applicable) components may also contain traces of chemicals found by the California Health and Welfare Agency (and possibly other entities) to cause cancer and / or birth defects or other reproductive harm.

DO NOT PLACE SOLDER, ELECTRICAL / ELECTRONIC OR PLASTIC COMPONENTS IN YOUR MOUTH FOR ANY REASON WHATSOEVER SO EVER!

Avoid prolonged, unprotected contact between solder and your skin! When soldering, do not inhale solder fumes or expose eyes to solder / flux vapor!

If you come in contact with solder or components located inside the enclosure of this product, wash your hands before handling food.


IMPORTANT NOTICE FOR THE UNITED KINGDOM

Connecting the Plug and Cord

WARNING: THIS APPARATUS MUST BE EARTHED
IMPORTANT. The wires in this mains lead are coloured in accordance with the following code:

GREEN-AND-YELLOW	: EARTH
BLUE	: NEUTRAL
BROWN	: LIVE

As the colours of the wires in the mains lead of this apparatus may not correspond with the coloured markings identifying the terminals in your plug proceed as follows:


The wire which is coloured GREEN-and-YELLOW must be connected to the terminal in the plug which is marked by the letter E or by the safety earth symbol  or colored GREEN or GREEN-and-YELLOW.

The wire which is coloured BLUE must be connected to the terminal which is marked with the letter N or coloured BLACK.

The wire which is coloured BROWN must be connected to the terminal which is marked with the letter L or coloured RED.

• This applies only to products distributed by Yamaha-Kemble Music (U.K.) Ltd. (3 wires)

WARNING

Components having special characteristics are marked  and must be replaced with parts having specification equal to those originally installed.

 印の商品は、安全を維持するために重要な部品です。交換する場合は、安全のため必ず指定の部品をご使用下さい。

■ SPECIFICATIONS

		P5000S	P7000S
Power Output Level (Rated Power) 1 kHz THD + N = 1%	8Ω/STEREO	525 W × 2	750 W × 2
	4Ω/STEREO	750 W × 2	1100 W × 2
	8Ω/BRIDGE	1500 W × 1	2200 W × 1
20 Hz – 20 kHz THD + N = 0.1%	8Ω/STEREO	500 W × 2	700 W × 2
	4Ω/STEREO	700 W × 2	650 W × 2 (European Model)
	8Ω/BRIDGE	1400 W × 1	950 W × 2
1 kHz 20 ms non-clip	2Ω/STEREO	1300 W × 2	1900 W × 1
	4Ω/BRIDGE	2600 W × 1	1600 W × 2
Power Bandwidth	Half Power	10 Hz – 40 kHz (THD + N = 0.5 %)	
Total Harmonic Distortion (THD + N) 20 Hz – 20 kHz, Half Power	4Ω – 8Ω/STEREO	≤ 0.1 %	
	8Ω/BRIDGE		
Frequency Response	RL = 8Ω, Po = 1 W	0 dB, +0.5 dB, –1 dB f = 20 Hz – 50 kHz	
Intermodulation distortion (IMD) 60 Hz:7 kHz, 4:1, Half Power	4Ω – 8Ω/STEREO	≤ 0.1 %	
	8Ω/BRIDGE		
Channel Separation Vol. max	Half Power RL = 8Ω 1 kHz input 600 shunt	≥ 70 dB	
Residual Noise Vol. min.	20 Hz – 20 kHz (DIN AUDIO)	≤ –70 dBu	
SN Ratio	20 Hz – 20 kHz (DIN AUDIO)	103 dB	104 dB
Damping Factor	RL = 8Ω, 1 kHz	≥ 350	
Sensitivity (Vol. max.) Rated Power 8Ω		+6 dBu	+8 dBu
Voltage Gain (Vol. max.)		32.1 dB	
Input Impedance		30 kΩ/balanced, 15 kΩ/unbalanced	
Controls	Front Panel	POWER switch (Push on/Push off) Two 31-step Volume control knobs (one per ch)	
	Rear Panel	MODE switch (STEREO/PARALLEL/BRIDGE) Two FILTER switches (SUBWOOFER/LOW CUT/OFF) Two fc knobs (25 to 150 Hz, 12dB/octave) YS Processing switch (ON/OFF)	
Connectors	INPUT	XLR-3-31 jacks (one per ch) 1/4-inch TRS phone jacks (one per ch)	
	OUTPUT	Speakon jacks (one per ch) 5-way binding posts 1/4-inch phone jacks (one per ch)	
Indicators	POWER	1 (Green)	
	PROTECTION	1 (Red)	
	TEMP	1 (Red) (heatsink temp ≥ 85°C)	
	CLIP	2 (Red)	
	SIGNAL	2 (Green)	
	YS Processing	1 (Yellow)	
Load protection		POWER switch ON/OFF muting	
		DC-fault power supply shutdown	
Amp. protection		Temp. detection (heat sink temp ≥ 90°C), VI limiter (RL ≤ 1Ω)	
Limiter		Comp: THD ≥ 0.5 %	
Cooling		Dual variable-speed fan	
Power Requirements	United States & Canada	120 V, 60 Hz	
	Europe	230 V, 50 Hz	
	Australia	240 V, 50 Hz	
Power Consumption	Idling	35 W	35 W
	Output power, 4Ω	500 W	650 W
Dimensions (W × H × D)		480 × 88 × 456 mm	
Weight		12 kg	
Included Accessories		Security cover (with a hex wrench), Owner's Manual	

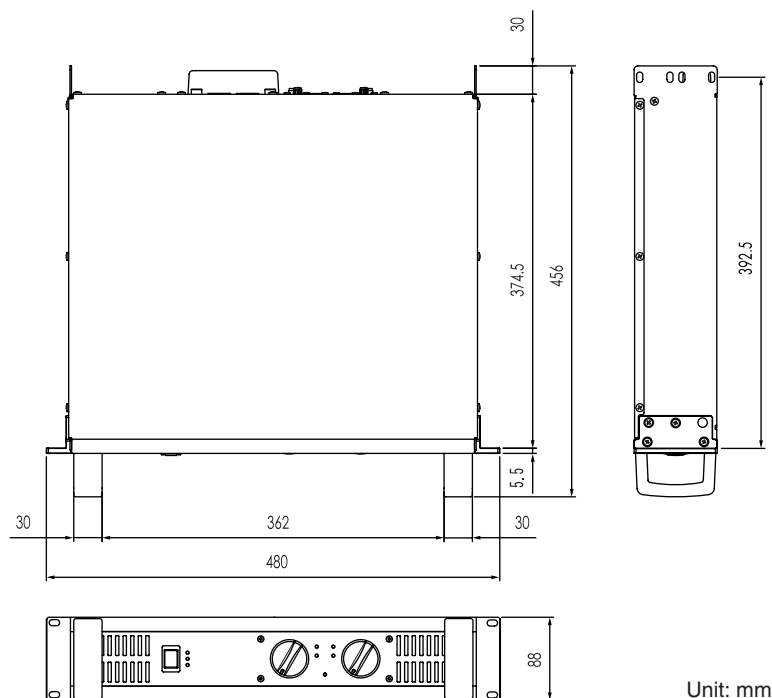
0 dBu=0.775 Vrms, Half Power=1/2 Power Output Level (Rated Power)

■ 総合仕様

		P5000S	P7000S
出力レベル	8 /STEREO	525 W × 2	750 W × 2
	1 kHz 4 /STEREO	750 W × 2	1100 W × 2
	THD + N = 1 % 8 /BRIDGE	1500 W × 1	2200 W × 1
20 Hz ~ 20 kHz	8 /STEREO	500 W × 2	700 W × 2
	4 /STEREO	700 W × 2	950 W × 2
	THD + N = 0.1 % 8 /BRIDGE	1400 W × 1	1900 W × 1
1 kHz	2 /STEREO	1300 W × 2	1600 W × 2
	20 ms nonclip 4 /BRIDGE	2600 W × 1	3200 W × 1
出力帯域幅	Half Power	10 Hz ~ 40 kHz (THD + N = 0.5 %)	
全高調波歪率 (THD + N)	4 ~ 8 /STEREO	0.1 %	
	20 Hz ~ 20 kHz、Half Power 8 /BRIDGE		
周波数特性	RL = 8、Po = 1 W	0 dB、+0.5 dB、-1 dB f = 20 Hz ~ 50 kHz	
混変調歪率	4 ~ 8 /STEREO	0.1 %	
	60 Hz : 7 kHz、4 : 1、Half Power 8 /BRIDGE		
チャンネル間セパレーション ボリューム max.	Half Power RL = 8 1 kHz 入力 600 シェント	70 dB	
残留ノイズ ボリューム min.	20 Hz ~ 20 kHz (DIN AUDIO)	-70 dBu	
SN 比	20 Hz ~ 20 kHz (DIN AUDIO)	103 dB	104dB
ダンピングファクター	RL = 8、1 kHz	350	
入力感度 ボリューム max. Rated Power	8	+6 dBu	+8 dBu
ボルテージゲイン ボリューム max.		32.1 dB	
入力インピーダンス		30 k /バランス型、15 k /アンバランス型	
コントロール	フロントパネル	POWER スイッチ : ON/OFF ボリューム : 31 ポジション (チャンネル単位) × 2	
	リアパネル	MODE スイッチ : STEREO/PARALLEL/BRIDGE フィルタースイッチ : (SUB WOOFER/LOW CUT/OFF) × 2 fc = (25 Hz ~ 150 Hz, 12dB/octave) × 2 YS Processing スイッチ (ON/OFF)	
コネクター	INPUT	XLR-3-31 端子 (チャンネル単位) 1/4 インチ TRS フォーン端子 (チャンネル単位)	
	OUTPUT	スピコン (チャンネル単位) 5 ウェイバインディングポスト、 1/4 インチフォーン端子 (チャンネル単位)	
インジケータ	POWER	× 1 (緑)	
	PROTECTION	× 1 (赤)	
	TEMP	× 1 (赤) (ヒートシンク温度 85)	
	CLIP	× 2 (赤)	
	SIGNAL	× 2 (緑)	
	YS Processing	× 1 (黄)	
ロードプロテクション		POWER スイッチオン / オフ、ミュート	
		DC 検出 (シャットダウン)	
アンププロテクション		温度検出 (ヒートシンク温度 90) VI リミッタ - (RL 1)	
リミッター		コンプ : THD 0.5 %	
クーリング		連続可変式ファン (デュアル)	
電源		100 V、50/60 Hz	
消費電力	無信号	35 W	35 W
	出力、4	500 W	650 W
最大外形寸法 (W × H × D)		480 × 88 × 456 mm	
質量		12 kg	
付属品		セキュリティカバー (6 角レンチを含む) 取扱説明書	

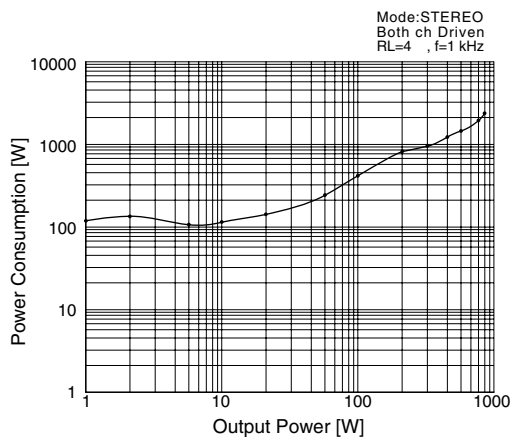
0 dBu = 0.775 Vrms, Half Power = 1/2 Power Output Level (Rated Power)

■ DIMENSIONS (寸法図)

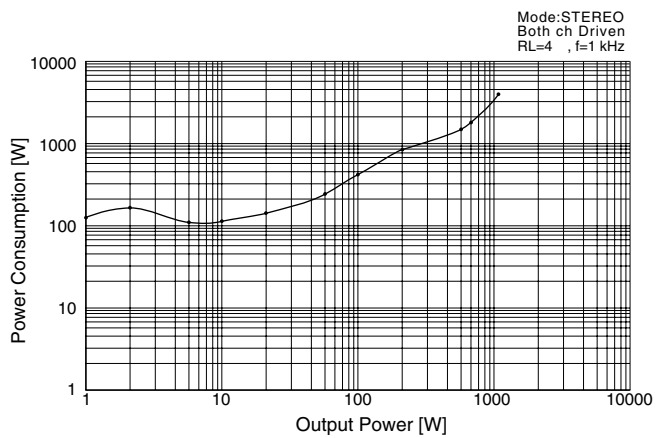


■ PERFORMANCE GRAPHS (特性図)

P5000S

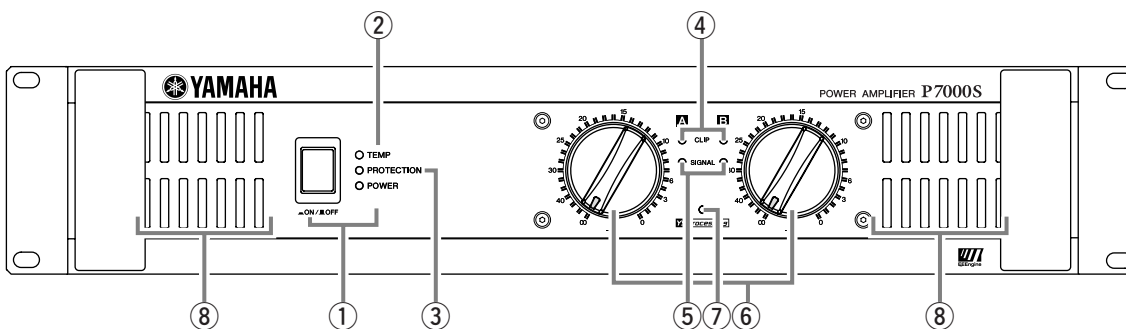


P7000S



■ PANEL LAYOUT (パネルレイアウト)

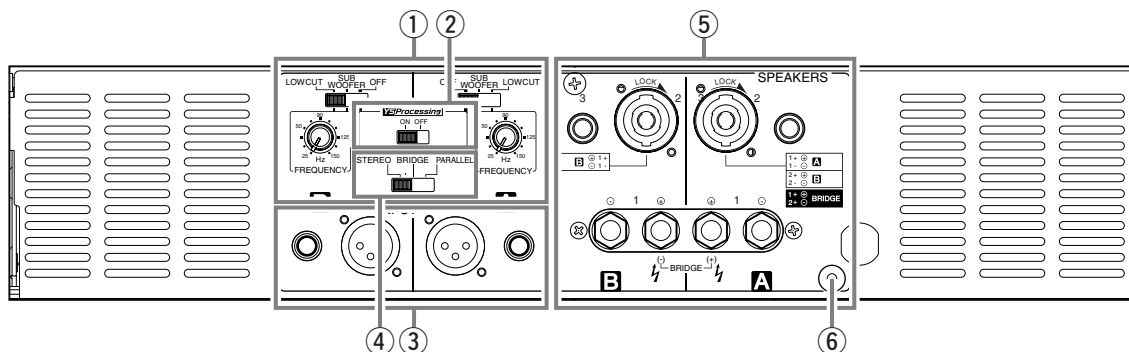
・ Front Panel (フロントパネル)



- ① [POWER] switch and indicator
- ② [TEMP] indicator
- ③ [PROTECTION] indicator
- ④ [CLIP] indicator
- ⑤ [SIGNAL] indicator
- ⑥ Volume control knobs
- ⑦ [**YSProcessing**] indicator
- ⑧ Air intakes

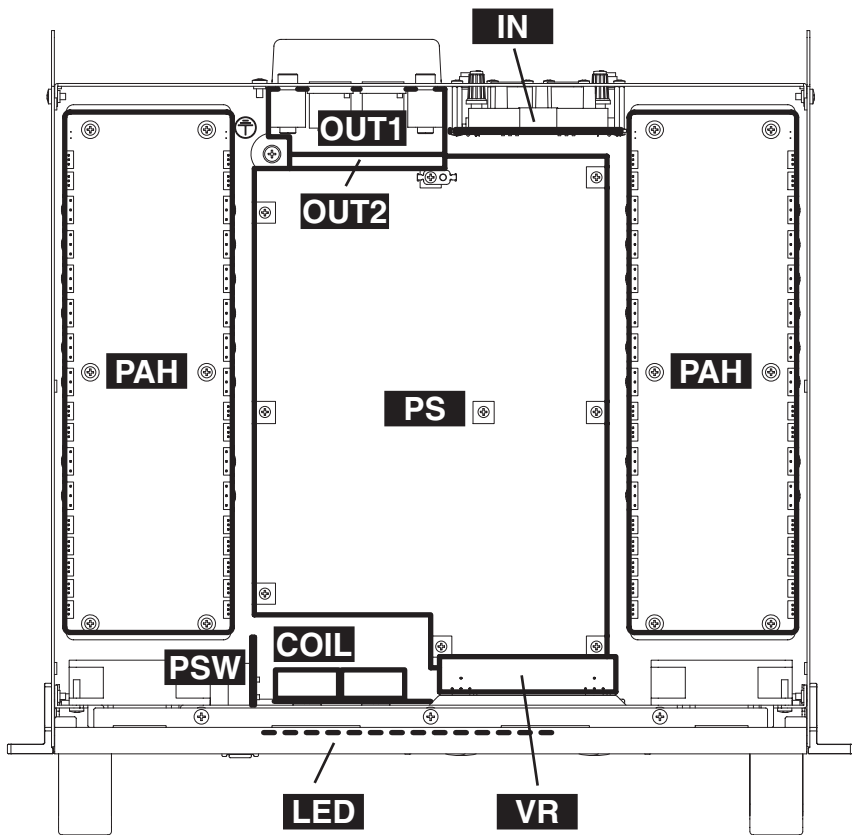
- ① [POWER] スイッチ/インジケータ
- ② [TEMP] インジケータ
- ③ [PROTECTION] インジケータ
- ④ [CLIP] インジケータ
- ⑤ [SIGNAL] インジケータ
- ⑥ ボリューム
- ⑦ [**YSProcessing**]インジケータ
- ⑧ 吸気口

• Rear Panel (リアパネル)

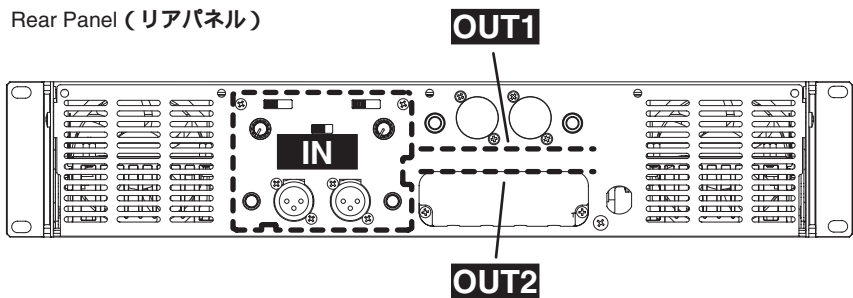


- | | |
|---|--|
| ① FILTER switch and[FREQUENCY] adjustment knob
(One pair for each channel) | ① FILTER スイッチ、[FREQUENCY]調整つまみ
(チャンネルA、B) |
| ② [VS Processing] ON/OFF switch | ② [VS Processing]切り替えスイッチ |
| ③ [INPUT] jacks (Channels A, B) | ③ [INPUT]端子(チャンネルA、B) |
| ④ [STEREO/PARALLEL/BRIDGE] switch | ④ [STEREO/PARALLEL/BRIDGE]モード切り替えスイッチ |
| ⑤ [SPEAKERS] jacks | ⑤ [SPEAKERS]端子 |
| ⑥ GND terminal | ⑥ GND 端子 |

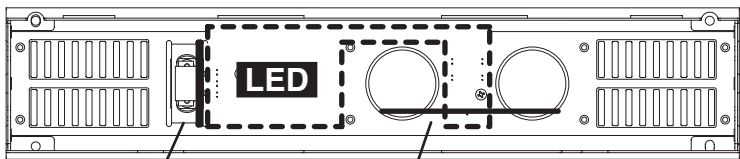
■ CIRCUIT BOARD LAYOUT & WIRING (ユニットレイアウト & 結線図)



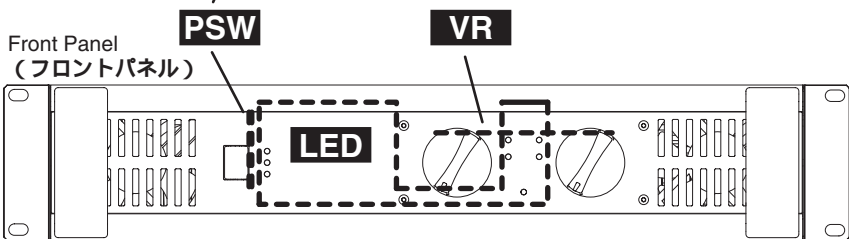
Rear Panel (リアパネル)



The figure which looked at the front panel from the inner side (フロントパネルを内側から見た図)

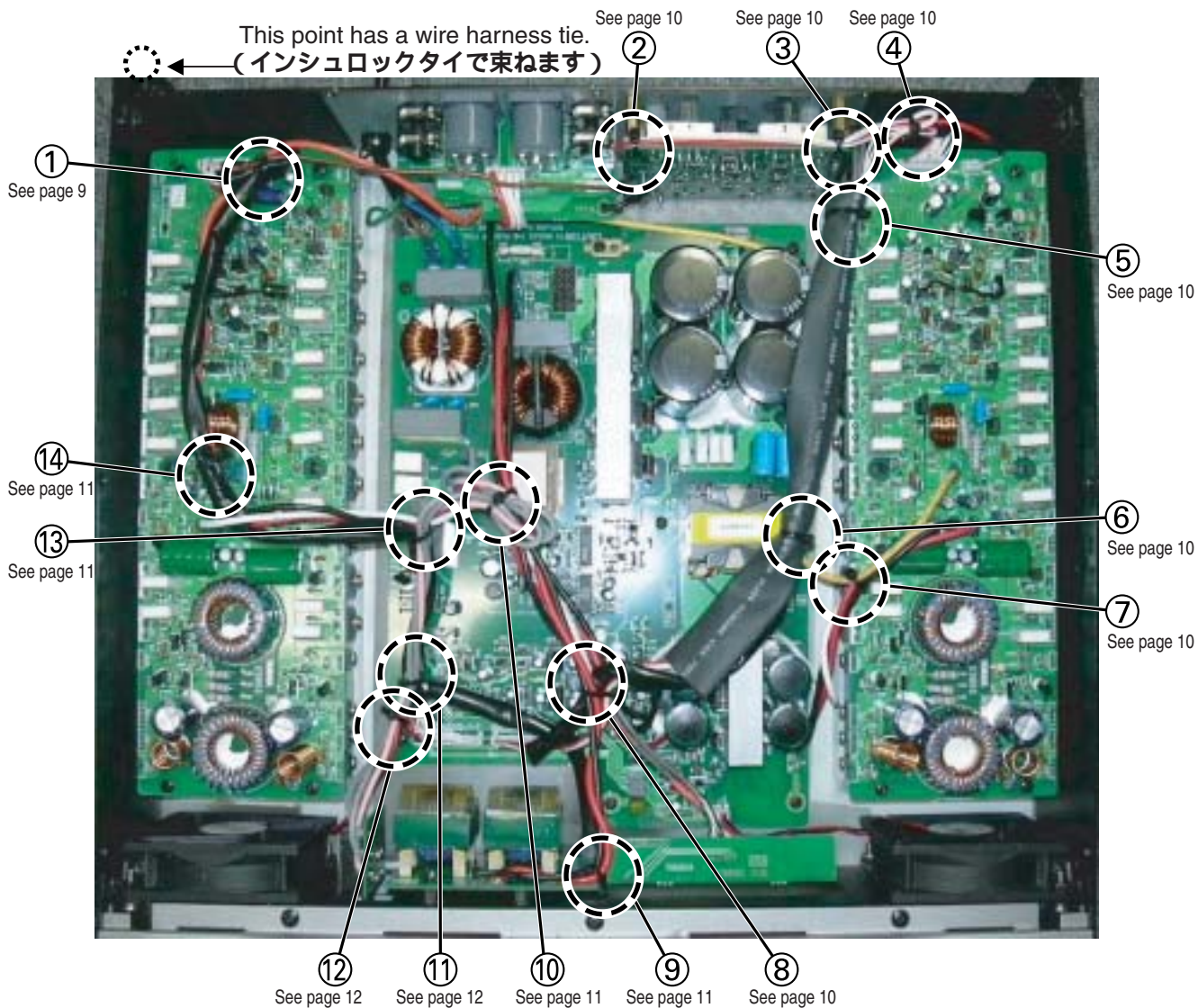


Front Panel (フロントパネル)



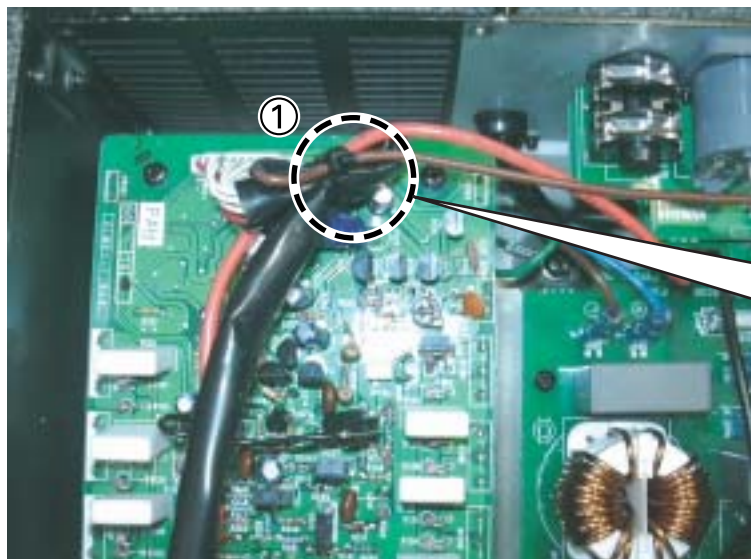
• Whole wiring drawing (全体の結線図) <Rev. 01>

* Connector assembly is not a service parts.
(束線はサービス部品ではありません)



• Detail drawing ① Detail drawing① (①部詳細図)

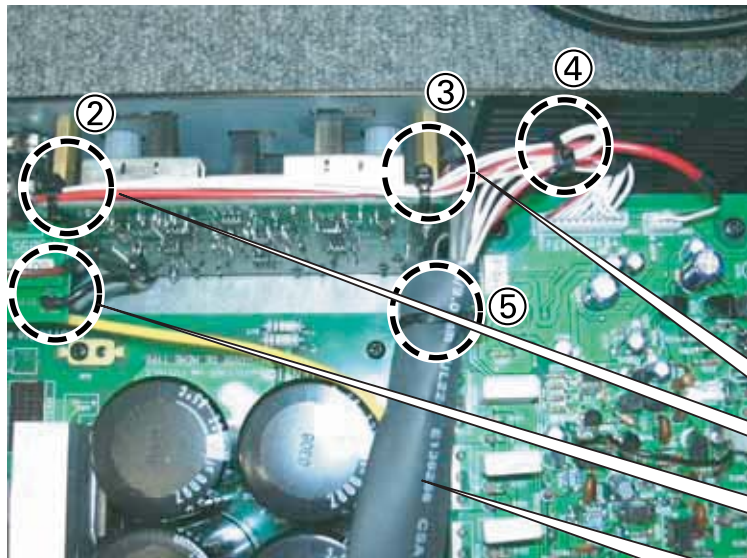
* The following "wiring ass'y" are tied.
(下記ワイヤーを束ねます)



① (WD35970, WD35950, WD36080)



• Detail drawing (2)(3)(4)(5) ((2)(3)(4)(5)部詳細図)



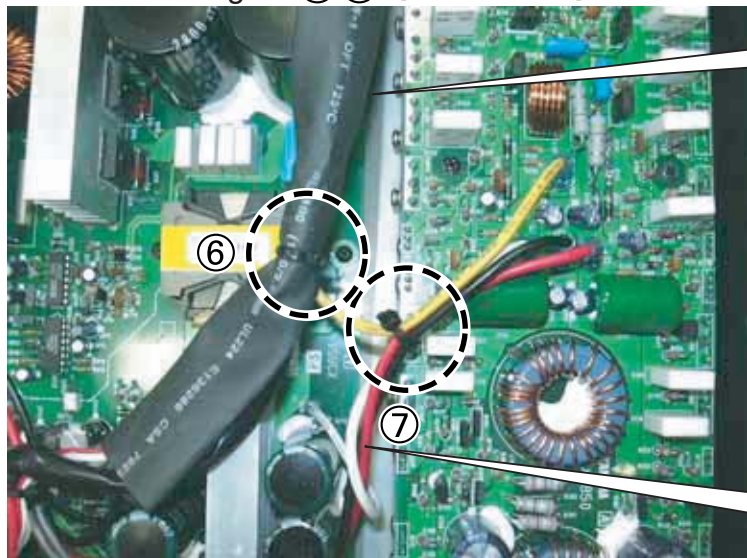
* The following "wiring ass'y" are tied.
(下記ワイヤーを束ねます)

(2)	(WD35970)
(3)	(WD35970)
(4)	(WD35950,WD35970)
(5)	(WD35950,WD35960,WD35970)

ATTENTION:
Tie the wires (WD35970) at the side of switch.
(WD35970ワイヤーは各スイッチの横で束ねます)

Soldering (WD35980) (半田付け)

• Detail drawing (6)(7) ((6)(7)部詳細図)



ATTENTION:
(WD35960, WD35970) are through the CH00440. (TUBE L=180mm)
(WD35960,WD35970ワイヤーは(CH00440)<長さ180mmのチューブ>に通します)

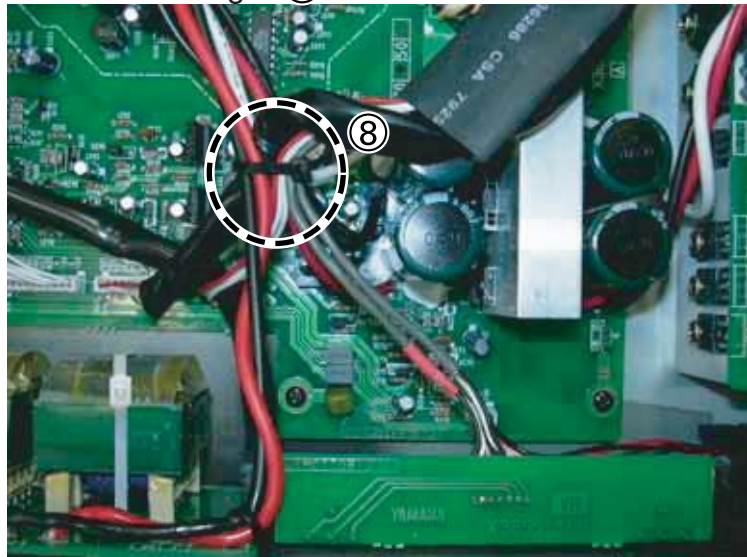
* CH00440 is not a service parts.
(CH00440はサービス部品ではありません)

* The following "wiring ass'y" are tied.
(下記ワイヤーを束ねます)

(6)	(WD35950,WD35960,ED35970,WD36090)
(7)	(WD36030,WD36040,W36050,WD36090)

Need twist of two rotations.
(2回撚り合わせます)
(WD36030,WD36040,WD36050)

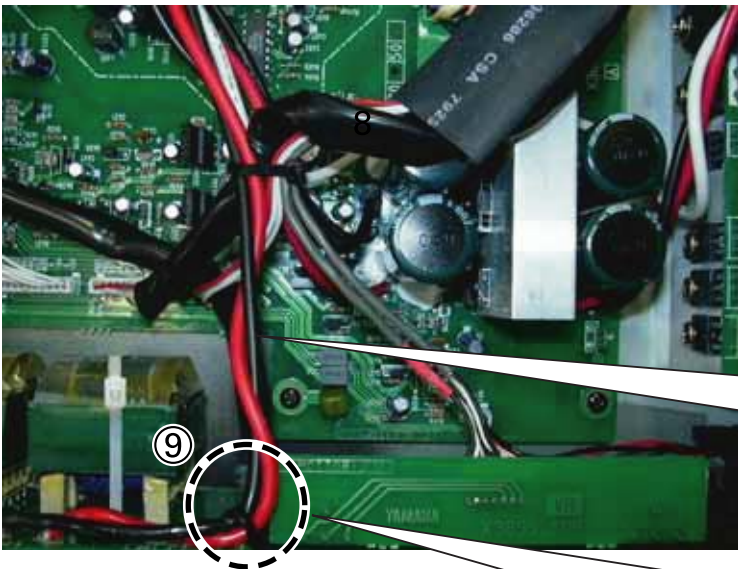
• Detail drawing (8) ((8)部詳細図)



* The following "wiring ass'y" are tied.
(下記ワイヤーを束ねます)

(8)	(WD35950,WD35960,WD35970,WD36000,WD36010x2,WD36020,WD36100,WD36110) • (WD36100,WD36110): J,H,B,CHN destination only. (J,H,B,CHN仕向のみ) • The wiring ass'y(WD35950) has to be tense condition from CN411 side to the tie of No.8. (束線(WD35950)は、CN411側からNo.8の結束部へ引っ張ります。)
-----	---

• Detail drawing ⑨ (⑨部詳細図)



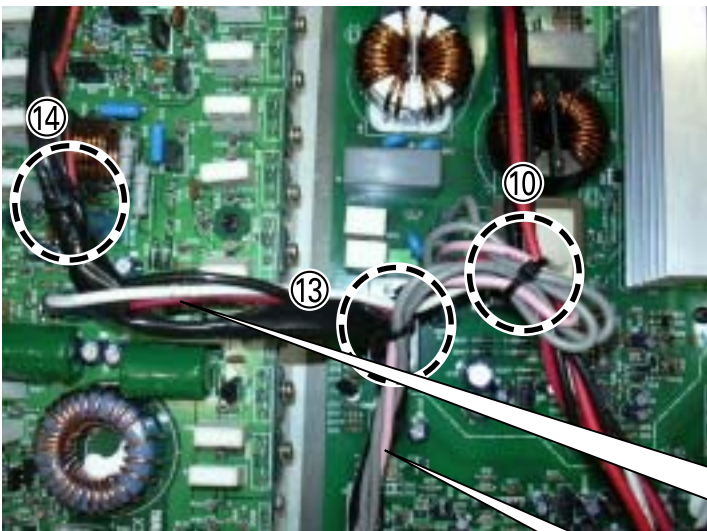
* The following "wiring ass'y" are tied.
(下記ワイヤーを束ねます)

⑨	(WD36100,WD36110) J,H,B,CHN destination only. (J,H,B,CHN 仕向のみ)
	• These wiring ass'y has to be tense condition from tie of No.9 to the tie of No.8. (束線は、No.9の結束部からNo.8の結束部へ引っ張ります。)

Need twist of three rotations.
(3回撚り合わせます)
(WD36100,WD36110)



• Detail drawing ⑩ ⑬ ⑭ (⑩⑬⑭部詳細図)



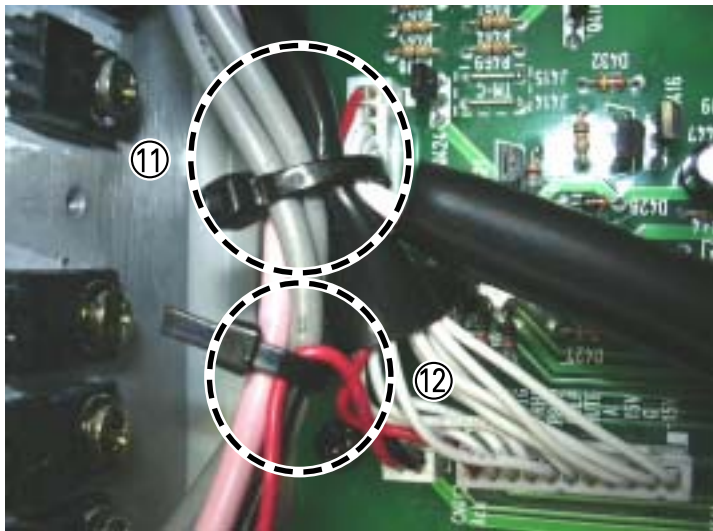
* The following "wiring ass'y" are tied.
(下記ワイヤーを束ねます)

⑩	(WD36000,WD36010x2,WD36020 WD36060x2,WD36070,WD36100 WD36110)
	• (WD36100,WD36110): J,H,B,CHN destination only. (J,H,B,CHN仕向のみ)
⑬	(WD35950,WD36000,WD36010 WD36020,WD36060x2,WD36070)
⑭	(WD35950,WD36080)

Need twist of two rotations.
(2回撚り合わせます)
(WD36000,WD36010,WD36020)

Need twist of three rotations.
(3回撚り合わせます)
(WD36060x2,WD36070)

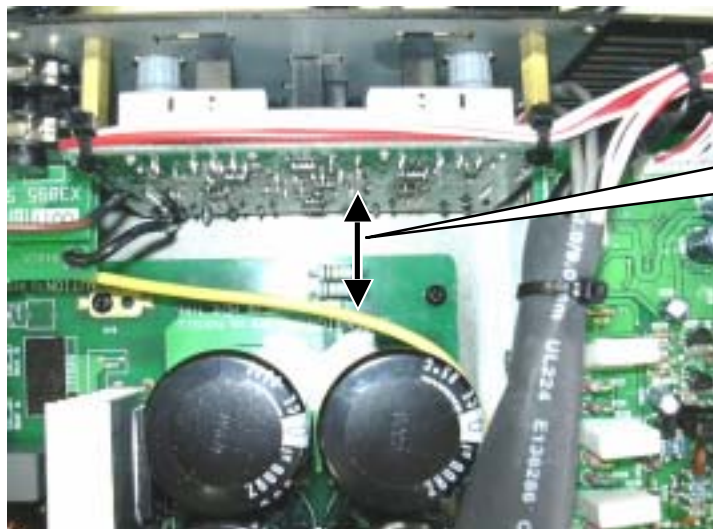
• Detail drawing ⑪ ⑫ (⑪⑫部詳細図)



* The following "wiring ass'y" are tied.
(下記ワイヤーを束ねます)

⑪	(WD35940,WD38950,WD36060x2 WD36070) • The wiring ass'y(WD35950) has to be tense condition from CN412 side to the tie of No.11. (束線(WD35950)は、CN412側からNo.11 の結束部へ引っ張ります。)
⑫	(WD36060x2,WD36070,FAN WIRING) • These wiring ass'y of fan has to be tense condition from fan side to the tie of No.12. (これらの束線は、ファン側からNo.12 の結束部へ引っ張ります。)

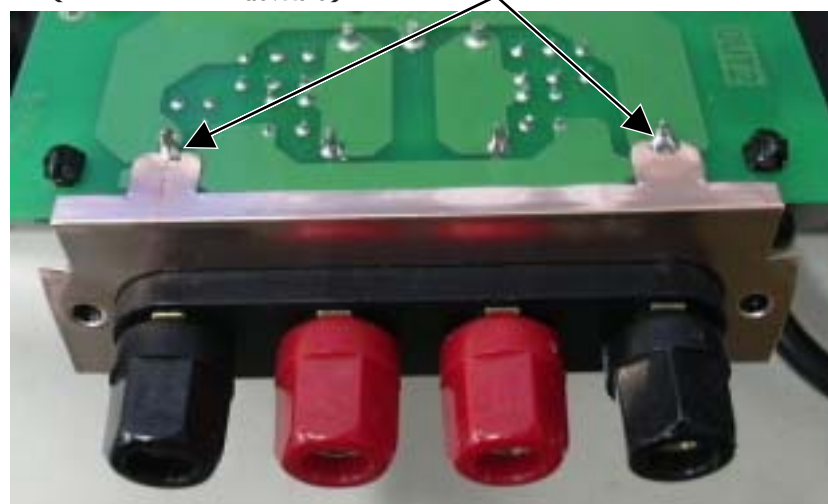
• W606



ATTENTION:
Please detach the wiring ass'y(WD36090)
from IN sheet.
(束線(WD36090)はINシートから離してく
ださい)

• Detail drawing OUT 2
(OUT2シートの詳細図)

Soldering EARTHFILM.
(アースフィルムを半田付けします)



• Connect of coils. (コイルワイヤーの接続)



*Regarding to connect the wire of coil.
(コイルワイヤーの接続について)

Please connect the Red wire to CN406.
Please connect the Black wire to CN415.

(赤いワイヤーはCN406、黒いワイヤーは
CN415へ接続してください)

■ DISASSEMBLY PROCEDURE (分解手順)

1. Rack Angle (Time required: about 1 min.)

1-1 Remove the three (3) screws marked [430] for each side.

The rack angle can then be removed. (Fig.1)

1. ラックアングル(所要時間: 約1分)

1-1 [430] のネジを左右3本ずつ外し、ラックアングルを外します。(Fig.1)

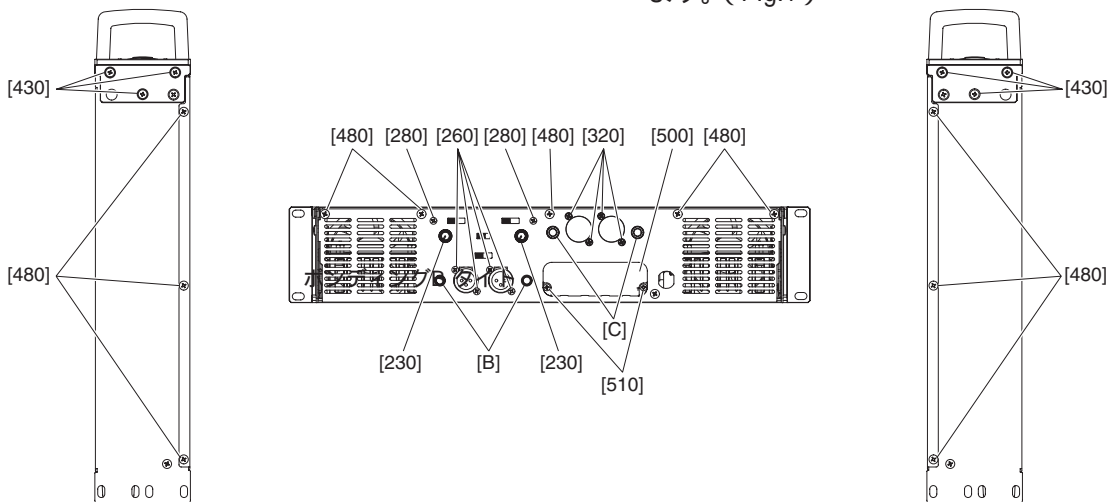
2. Top Cover (Time required: about 2 min.)

2-1 Remove the eleven (11) screws marked [480].

The top cover can then be removed. (Fig.1)

2. トップカバー(所要時間: 約2分)

2-1 [480] のネジ11本を外し、トップカバーを外します。(Fig.1)



[230]: VR Knob (V9665200) ノブVR (S)

[260]: Bonding Tapping Screw-B 3.0X10 MFZN2BL (VQ049800) ボンディングBタイト

[280]: Bind Head Tapping Screw-S 3.0X6 MFZN2BL (EP630210) +バインドSタイト

[320]: Flat Head Tapping Screw-B 3.0X8 MFZN2BL (EP600790) +皿Bタイト

[430]: Bind Head Screw 4.0X10 MFZN2BL (VA22160) +バインド小ネジ

[480]: Bind Head Tapping Screw-B 4.0X8 MFZN2BL (EG340190) +バインドBタイト

[510]: Bind Head Tapping Screw-S 3.0X6 MFZN2BL (EP630210) +バインドSタイト

(Fig.1)

3. PA Unit (Time required: about 5 min.)

3-1 Remove the rack angle. (See procedure 1.)

3-2 Remove the top cover. (See procedure 2.)

3-3 Remove the six screws marked [150] for each side from the bottom.

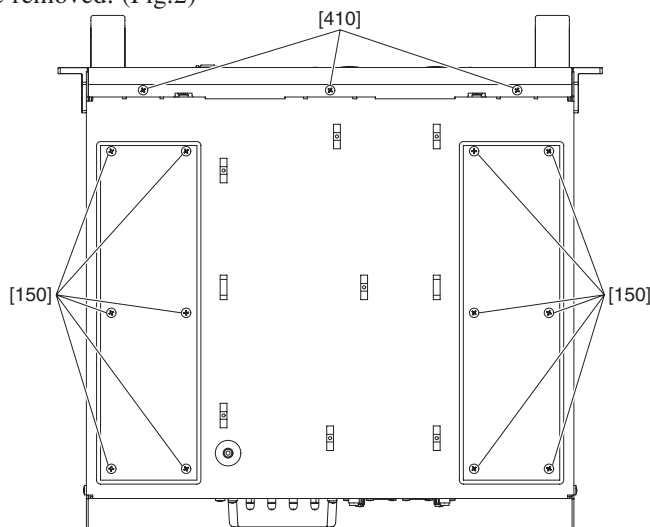
The PA units can then be removed. (Fig.2)

3. P A ユニット(所要時間: 約5分)

3-1 ラックアングルを外します。(1項参照)

3-2 トップカバーを外します。(2項参照)

3-3 本体の底面より[150]のネジを左右6本ずつ外し、各PAユニットを外します。(Fig.2)



[150]: Bind Head Tapping Screw-B 4.0X8 MFZN2BL (EG340190) +バインドBタイト

[410]: Bind Head Tapping Screw-B 4.0X8 MFZN2BL (EG340190) +バインドBタイト

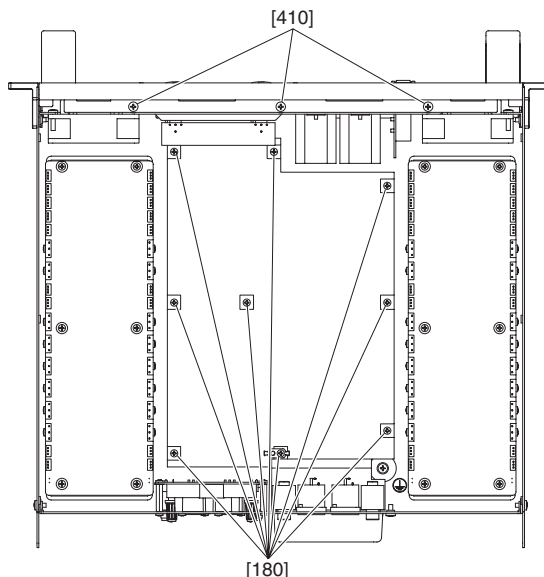
(Fig.2)

4. PS Circuit Board (Time required: about 5 min.)

- 4-1 Remove the rack angle. (See procedure 1.)
- 4-2 Remove the top cover. (See procedure 2.)
- 4-3 Remove the nine (9) screws marked [180].
The PS circuit board can then be removed. (Fig.3)

4. PS シート(所要時間: 約5分)

- 4-1 ラックアングルを外します。(1項参照)
- 4-2 トップカバーを外します。(2項参照)
- 4-3 [180] のネジ9本を外し、PSシートを外します。(Fig.3)



[180]: Bind Head Tapping Screw-S 3.0X6 MFZN2BL (EP630210) +バインドSタイト
[410]: Bind Head Tapping Screw-B 4.0X8 MFZN2BL (EG340190) +バインドBタイト

(Fig.3)

5. IN Circuit Board (Time required: about 6 min.)

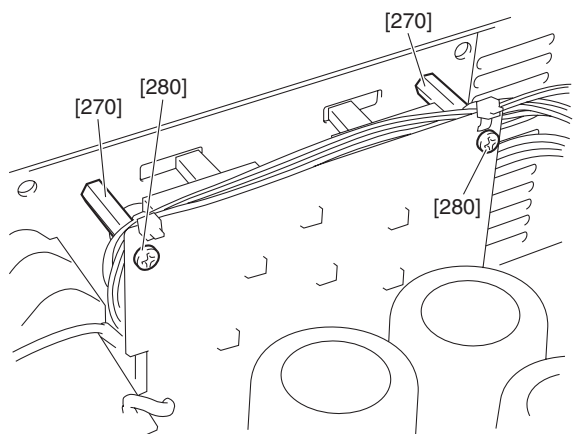
- 5-1 Remove the rack angle. (See procedure 1.)
- 5-2 Remove the top cover. (See procedure 2.)
- 5-3 Remove the four (4) screws marked [260] and the two (2) screws marked [280]. (Fig.1)
- 5-4 Remove the two (2) hexagonal nuts marked [B]. (Fig.1)
- 5-5 Remove the two (2) screws marked [280] to remove the two hex spacers marked [270]. (Fig.4)
- 5-6 Remove the two (2) VR knobs marked [230]. (Fig.1)
- 5-7 Because the IN circuit board and the OUT2 circuit board are connected by the connector assembly W301, it removes the solder of IN circuit board terminal W301A or OUT2 circuit board terminal W301B.
The IN circuit board can then be removed.

5. IN シート(所要時間: 約6分)

- 5-1 ラックアングルを外します。(1項参照)
- 5-2 トップカバーを外します。(2項参照)
- 5-3 [260] のネジ4本と[280] のネジ2本を外します。(Fig.1)
- 5-4 [B] の六角ナット2個を外します。(Fig.1)
- 5-5 [280] のネジ2本を外し、[270] の六角スペーサーを外します。(Fig.4)
- 5-6 [230] のノブ2個を外します。(Fig.1)
- 5-7 OUT2シートと束線W301で接続されていますので、INシート側端子W301AまたはOUT2側端子W301Bのハンダを外してINシートを外します。

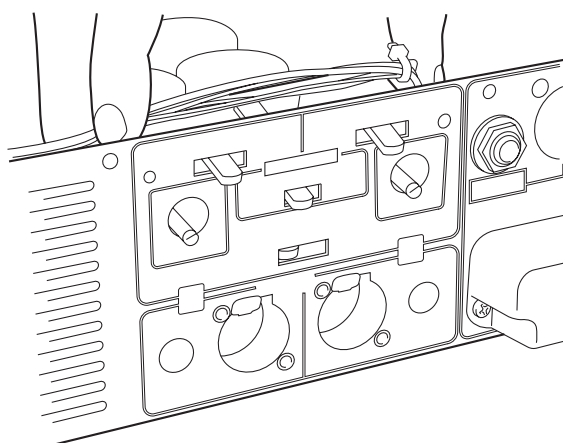
* INシートを再度取り付けるときは、キャノンコネクタのツメをシャーシの外側に出した後、ジャックやスイッチをシャーシの穴に通します。(Fig.5)

* When reinstalling the IN circuit board, let the hooks of the XLR connectors out of the chassis at first, and inserts the jacks or switches into the holes on the chassis. (Fig.5)



[270]: Hex Spacer H=24.5 B=5.5 (WD490100) 六角スペーサー
 [280]: Bind Head Tapping Screw-S 3.0X6 MFZN2BL (EP630210) +バインドタイト

(Fig.4)



(Fig.5)

6. OUT1 Circuit Board (Time required: about 4 min.)

- 6-1 Remove the rack angle. (See procedure 1.)
- 6-2 Remove the top cover. (See procedure 2.)
- 6-3 Remove the four (4) screws marked [320]. (Fig.1)
- 6-4 Remove the two (2) hexagonal nuts marked [C].

The OUT1 circuit board can then be removed. (Fig.1)

* The OUT1 circuit board and the OUT2 circuit board are connected by the connector assembly W607.

6. OUT1 シート(所要時間: 約4分)

- 6-1 ラックアングルを外します。(1項参照)
- 6-2 トップカバーを外します。(2項参照)
- 6-3 [320] のネジ4本を外します。(Fig.1)
- 6-4 [C] の六角ナット2個を外し、OUT1シートを外します。(Fig.1)

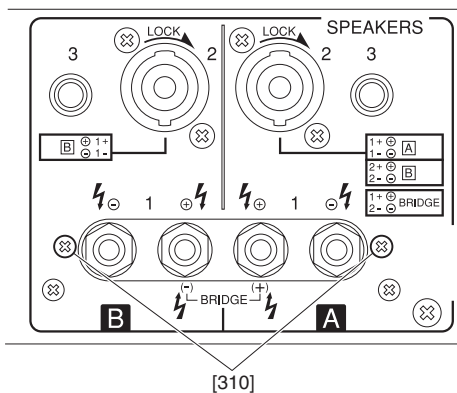
* OUT1シートとOUT2シートは束線W607で接続されています。

7. OUT2 Circuit Board (Time required: about 5 min.)

- 7-1 Remove the rack angle. (See procedure 1.)
- 7-2 Remove the top cover. (See procedure 2.)
- 7-3 Remove the OUT1 circuit board. (See procedure 6.)
- 7-4 Remove the two (2) screws marked [510].
Remove the SP terminal cover marked [500]. (Fig.1)
- 7-5 Remove the two (2) screws marked [310]. (Fig.6)
- 7-6 Because the OUT2 circuit board and the IN circuit board are connected by the connector assembly W301, it removes the solder of terminal W301B. The OUT2 circuit board (and the OUT1 circuit board) can then be removed.

7. OUT2 シート(所要時間: 約5分)

- 7-1 ラックアングルを外します。(1項参照)
- 7-2 トップカバーを外します。(2項参照)
- 7-3 OUT1シートを外します。(6項参照)
- 7-4 [510] のネジ2本を外し、[500] のSPターミナルカバーを外します。(Fig.1)
- 7-5 [310] のネジ2本を外します。(Fig.6)
- 7-6 INシートと束線W301で接続されていますので、端子W301Bのハンダを外してOUT2(およびOUT1)シートを外します。



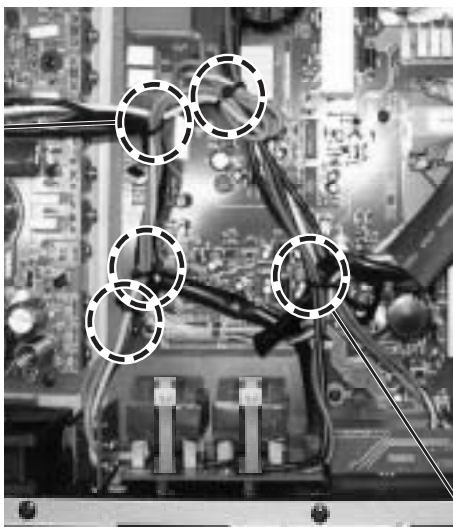
[310]: Bind Head Tapping Screw-B 3.0X10 MFZN2BL (VQ049800) +ボンディングBタイト
 (Fig.6)

8. Front Panel part (Time required: about 5 min.)

- 8-1 Remove the rack angle. (See procedure 1.)
- 8-2 Remove the top cover. (See procedure 2.)
- 8-3 Cuts Cord Holder (5 Point) of the Connector assembly. (Fig.7)
- 8-4 Remove the six (6) screws marked [410]. (Fig.2, Fig.3)
- 8-5 Draws out in front of the front panel part.

8. フロントパネル部(所要時間: 約5分)

- 8-1 ラックアングルを外します。(1項参照)
- 8-2 トップカバーを外します。(2項参照)
- 8-3 束線のインシュロックタイ(5箇所)を切断します。(Fig.7)
- 8-4 [410]のネジ6本を外します。(Fig.2, Fig.3)
- 8-5 フロントパネルを前方へ引き出します。



Front Panel side (フロントパネル側)

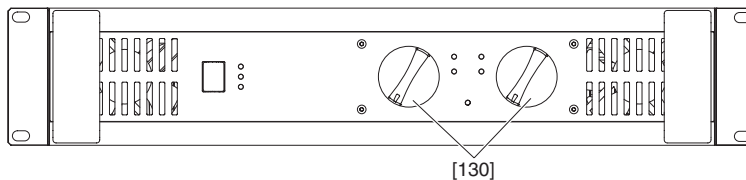
(Fig.7)

9. VR Circuit Board (Time required: about 6 min.)

- 9-1 Remove the front panel part. (See procedure 8.)
- 9-2 Remove the attenuator knobs marked [130]. (Fig.8)
- 9-3 Remove the two (2) hexagonal nuts marked [A]. The VR circuit board can then be removed. (Fig.9)

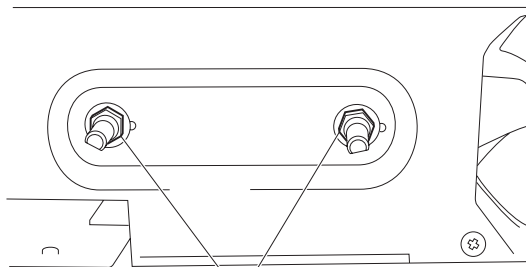
9. VRシート(所要時間: 約6分)

- 9-1 フロントパネル部を外します。(8項参照)
- 9-2 [130]のアッテネーターノブを外します。(Fig.8)
- 9-3 [A]の六角ナット2個を外し、VRシートを外します。(Fig.9)



[130]: Attenuator Knob (WD490700) アッテネーターノブ印刷上

(Fig.8)

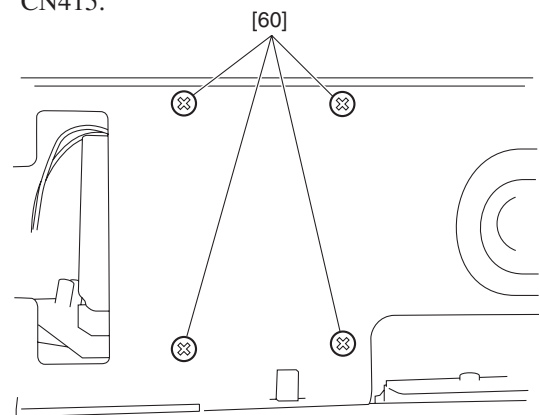


[A]
(Fig.9)

10. Coil circuit board (Time required: about 7 min.)

- 10-1 Remove the front panel part. (See procedure 8.)
- 10-2 Remove the PS circuit board. (See procedure 4.)
- 10-3 Remove the four (4) screws marked [60].
The coil circuit board can then be removed. (Fig.10)
- 10-4 Remove the four (4) hexagonal nuts marked [70].
The four (4) spacers can then removed marked [65]. (Fig.11)

*When reinstalling the COIL circuit board, connect the Red wire to CN406 and the Black wire to CN415.

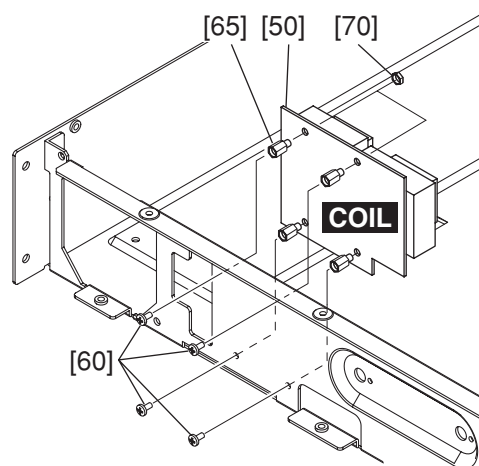


[60]: Bind Head Tapping Screw-S 3.0X6 MFZN2BL (EP630210)
+バインドSタイト

(Fig.10)

10. コイルシート(所要時間: 約7分)

- 10-1 フロントパネル部を外します。(8項参照)
- 10-2 PS シートを外します。(4項参照)
- 10-3 [60] のネジ4 本を外し、コイルシートを外します。(Fig.10)
- 10-4 [70]の六角ナット4 個を外し、[65] の六角スペーサ4 本を外します。(Fig.11)
*コイルを再度取り付けるとき、コイルシートのワイヤー '赤'はCN406、'黒'はCN415へ接続してください。



[60]: Bind Head Tapping Screw-S 3.0X6 MFZN2BL (EP630210)
+バインドSタイト

[65]:Spacer H=7.5 B=5.5 (WD490000) 六角スペーサー
[70]:Hexagonal Nuts 4.0 MFZN2BL (03760280) 六角ナット

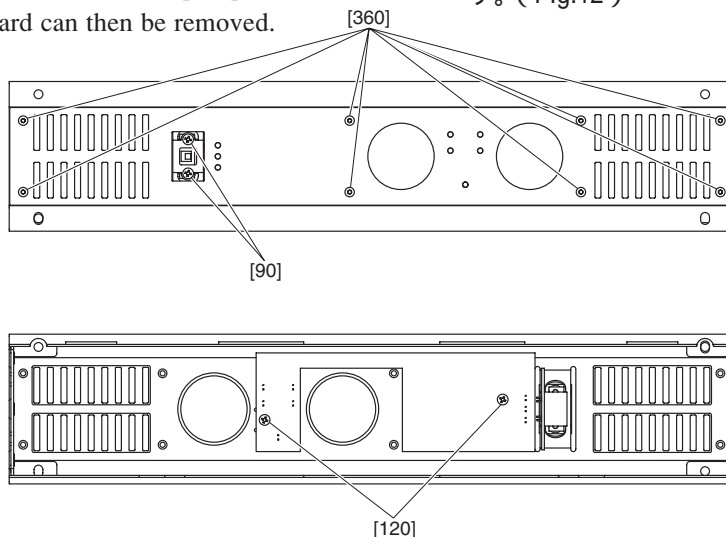
(Fig.11)

11. LED Circuit Board (Time required: about 5 min.)

- 11-1 Remove the front panel part. (See procedure 8.)
- 11-2 Remove the two (2) screws marked [120].
The LED circuit board can then be removed. (Fig.12)

11. LED シート(所要時間: 約5分)

- 11-1 フロントパネル部を外します。(8項参照)
- 11-2 [120] のネジ2 本を外してLED シートを外します。(Fig.12)



[90]: Bind Head Tapping Screw-S 3.0X6 MFZN2BL (EP630210)+バインドSタイト
[120]: Bind Head Tapping Screw-S 3.0X6 MFZN2BL (EP630210)+バインドSタイト
[360]: Hex Socket Tapping Screw-S3.0X10 MFZN2BL (WD345200)六角穴付きSタイト

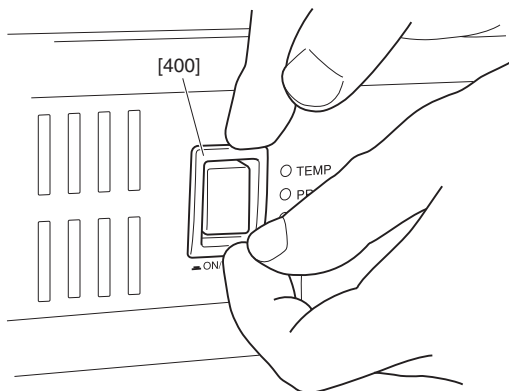
(Fig.12)

12. PSW Circuit Board (Time required: about 10 min.)

- 12-1 Remove the front panel part. (See procedure 8.)
- 12-2 Remove the power switch escutcheon marked [400]. (Fig.13)
- 12-3 It presses lightly from the panel back and remove the power switch knob marked [100].

* When it is hard to remove the power switch knob, insert an L-shaped rod into the gap and pull out the knob as shown the illustration. (Fig.14)
Be careful so as not to bruise a panel and a knob at this time.

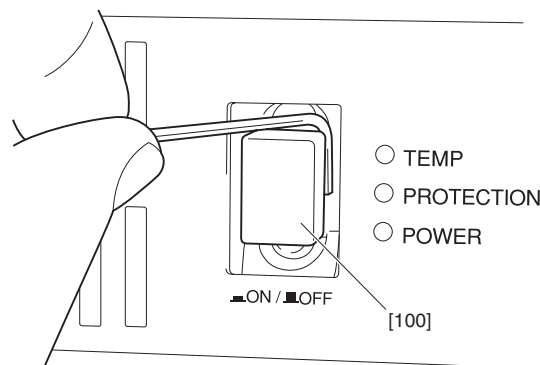
- 12-4 Remove the two (2) screws marked [90].
The PSW circuit board can then be removed. (Fig.12)



[400]: Power Switch Escutcheon (WD345700)
PSWエスカッション
(Fig.13)

12. PSW シート(所要時間: 約10分)

- 12-1 フロントパネル部を外します。(8項参照)
- 12-2 [400] のPSW エスカッションを外します。(Fig.13)
- 12-3 パネル裏面から軽く押し出して[100] のPSW ノブを外します。
* 外しにくいときは、図で示すように隙間からL型の棒などを挿入し、PSW ノブを引き出して外します。(Fig.14)
このときパネルやノブへ傷をつけない様に注意してください。
- 12-4 [90] のネジ2本を外し、PSW シートを外します。(Fig.12)



[100]: Power Switch Knob (WD345600) PSW ノブ
(Fig.14)

13. Handle (Time required: about 6 min.)

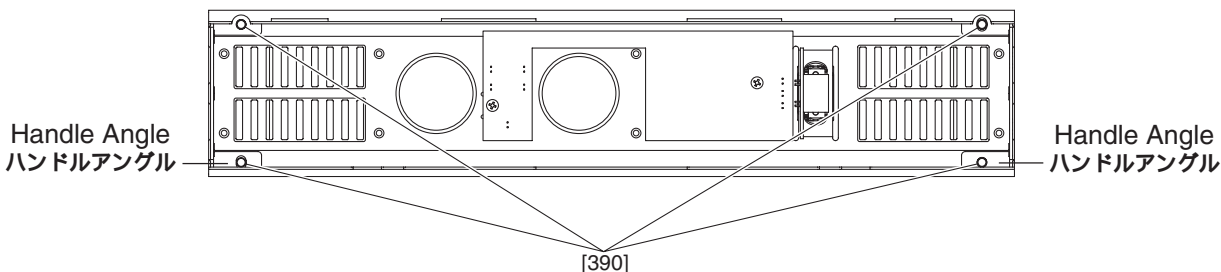
- 13-1 Remove the front panel part. (See procedure 8.)
- 13-2 Remove the two (2) screws marked [390] for each side.
The handles can then be removed. (Fig.15)

*The handle angle is removed simultaneously, at this time.

13. ハンドル(所要時間: 約6分)

- 13-1 フロントパネル部を外します。(8項参照)
- 13-2 [390] のネジを左右2本ずつ外し、ハンドルを外します。(Fig.15)

*この時、ハンドルアングルも同時に外れます。



[390]: Bind Head Screw SP 5.0X16 MFZN2BL (VU68800)+バインド小ネジ
(Fig.15)

14. Disassemble of Front Panel 1 and Front Panel 2 (Time required: about 8 min.)

- 14-1 Remove the front panel part. (See procedure 8.)
- 14-2 Remove the handles. (See procedure 13.)
- 14-3 Remove the eight (8) hex socket tapping screws marked [360].
The front panel 1 and the front panel 2 can then be disassembled. (Fig.12)

14. フロントパネル1 印刷上り、フロントパネル2 印刷上りの分解(所要時間: 約8分)

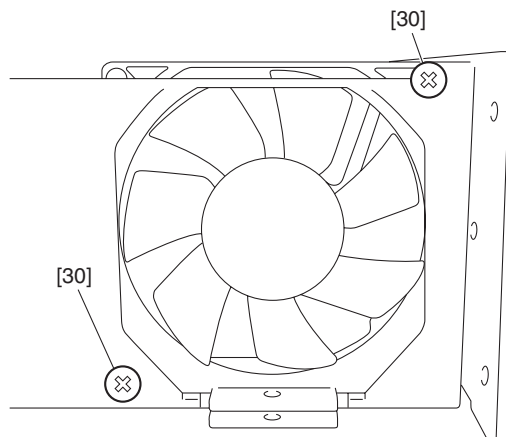
- 14-1 フロントパネル部を外します。(8項参照)
- 14-2 ハンドルを外します。(13項参照)
- 14-3 [360] の六角穴付きS タイプ8 本を外し、フロントパネル1印刷上りとフロントパネル2印刷上りを分解します(Fig.12)。

15. Fan (Time required: about 12 min.)

- 15-1 Remove the front panel part. (See procedure 8.)
- 15-2 Remove the PA unit located on the same side as the fan to remove. (See procedure 3.)
- 15-3 Remove the two (2) screws marked [30] for each side.
Fans can then be removed. (Fig.16)

15. DCファン(所要時間: 約12分)

- 15-1 フロントパネル部を外します。(8項参照)
- 15-2 外すDC ファンと同じ側のPA ユニットのを外します。(3項参照)
- 15-3 [30] のネジを左右2 本ずつ外し、DC ファンを外します。(Fig.16)



[30]: Bind Head Screw SP 4.0X16 MFZN2Y (VB764900) + バインド小ネジ

(Fig.16)

■ IC BLOCK DIAGRAM (IC ブロック図)

• NJM2068MD-TE2 (X3505A00)

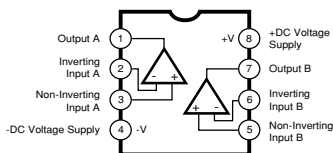
Dual Operational Amplifier

P5000S IN: IC301, IC302, IC303, IC304,
IC305, IC306, IC307

PAH: IC201

P7000S IN: IC301, IC302, IC303, IC304,
IC305, IC306, IC307

PAH: IC201

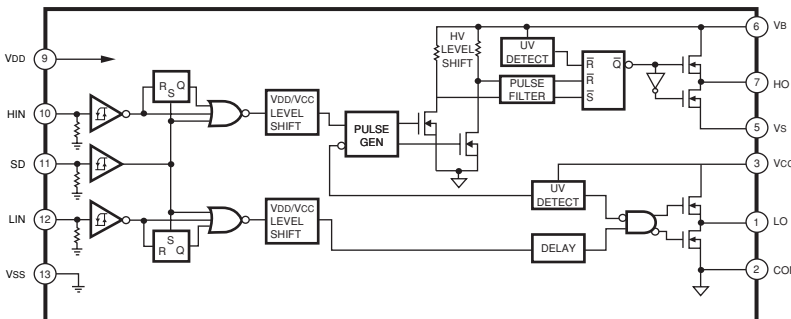
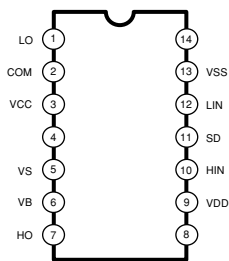


IR2110 (X2382A00)

• DRIVER

P5000S PS: IC402

P7000S PS: IC402

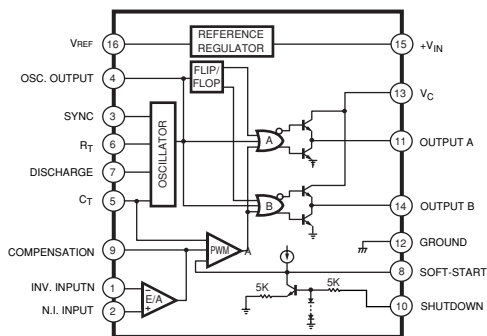
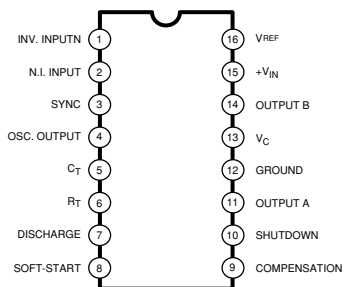


• SG3525AN (X2383A00)

Regulating Pulse Width Modulator

P5000S PS: IC401

P7000S PS: IC401

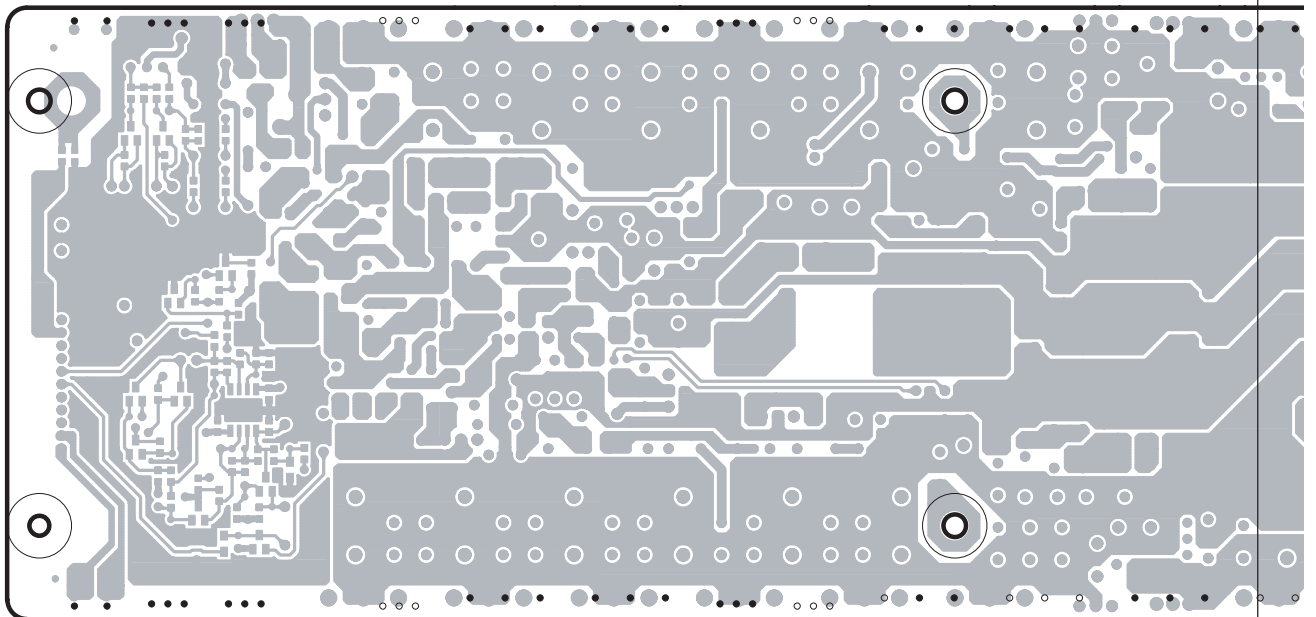
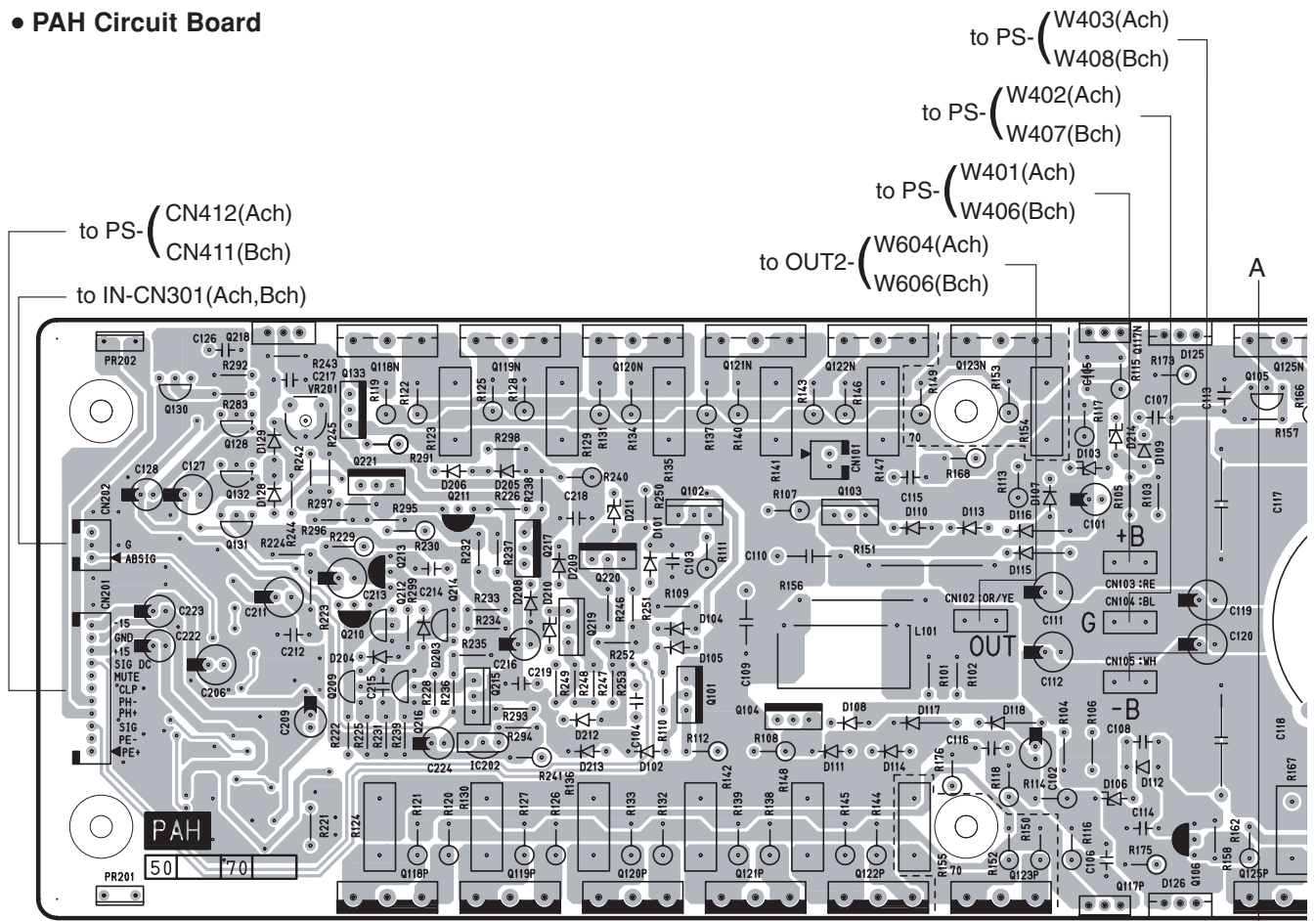


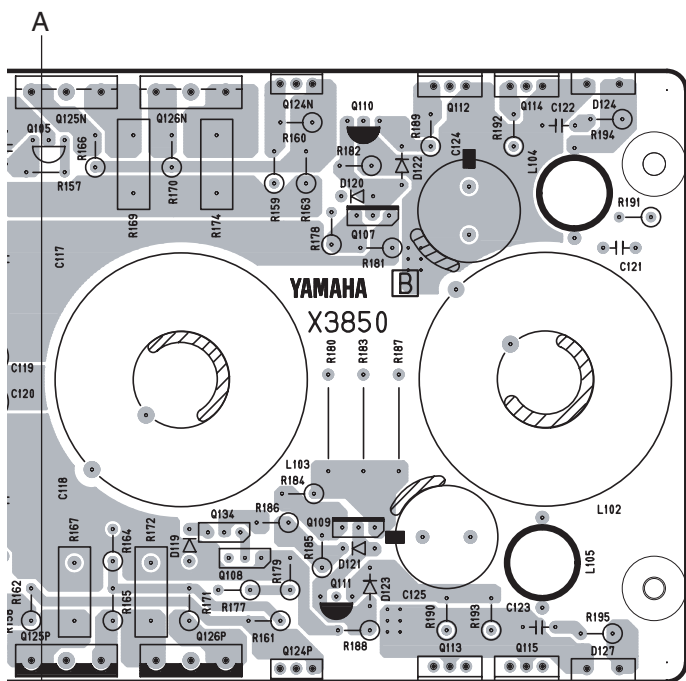
■ CIRCUIT BOARDS (シート基板図)

CONTENTS (目次)

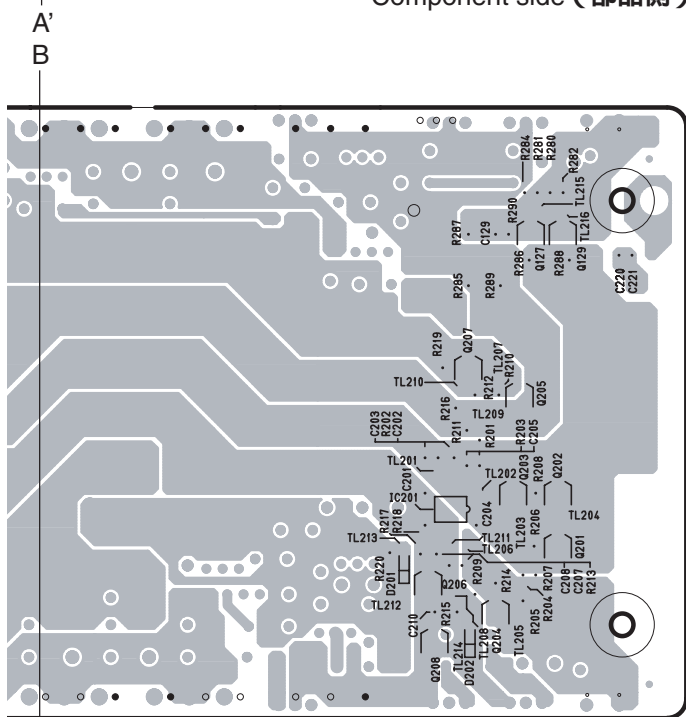
● PAH Circuit Board (X3850B0)	23
● PS Circuit Board (X5600A0)	25
● IN Circuit Board (X3501C0)	29
● LED Circuit Board (X3895C0)	30
● OUT1 Circuit Board (X3895C0)	31
● OUT2 Circuit Board (X3895C0)	32
● PSW Circuit Board (X3895C0)	33
● VR Circuit Board (X3895C0)	33
● COIL Circuit Board (X4945A0)	34

• PAH Circuit Board





Component side (部品側)



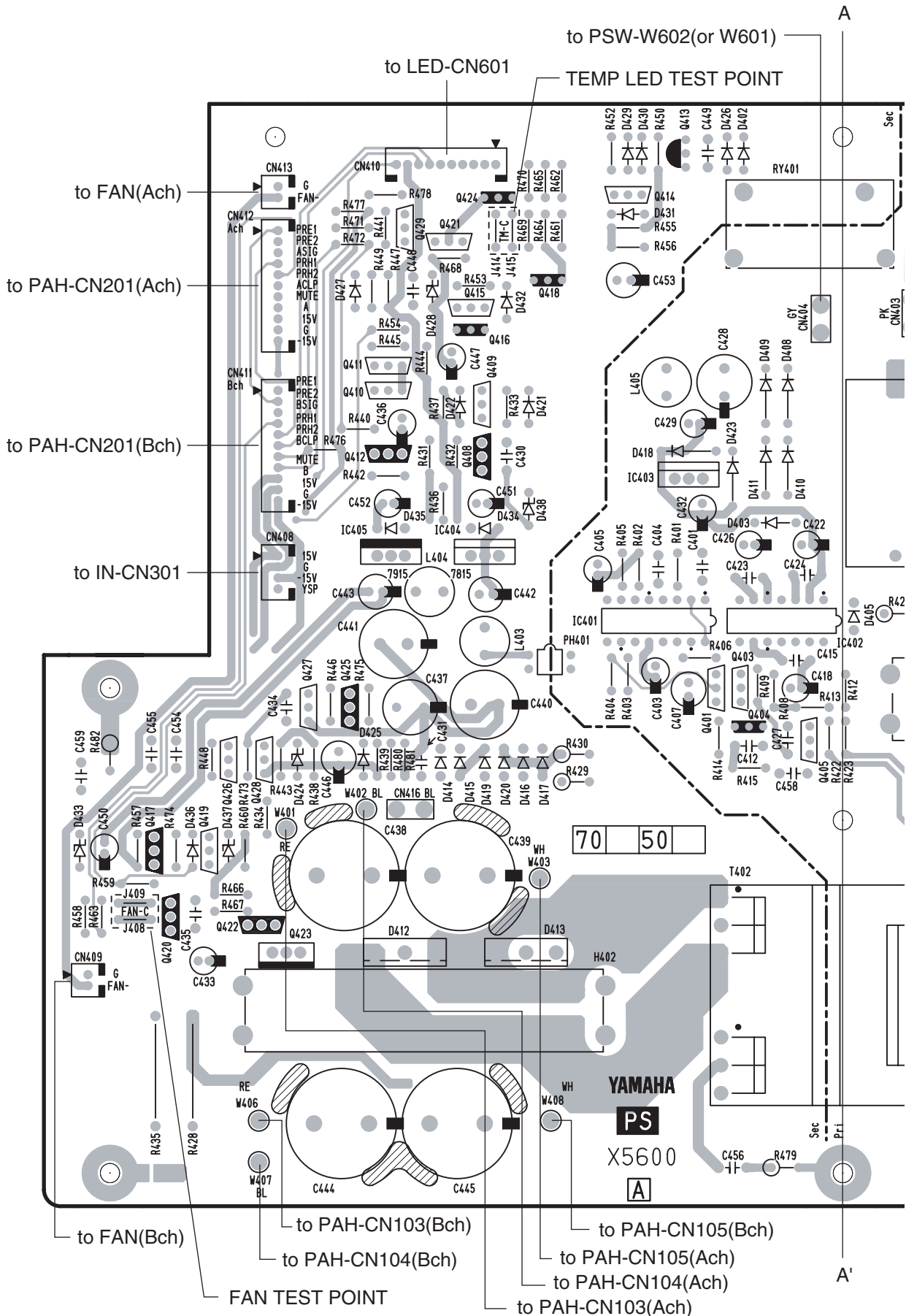
Pattern side (パターン側)

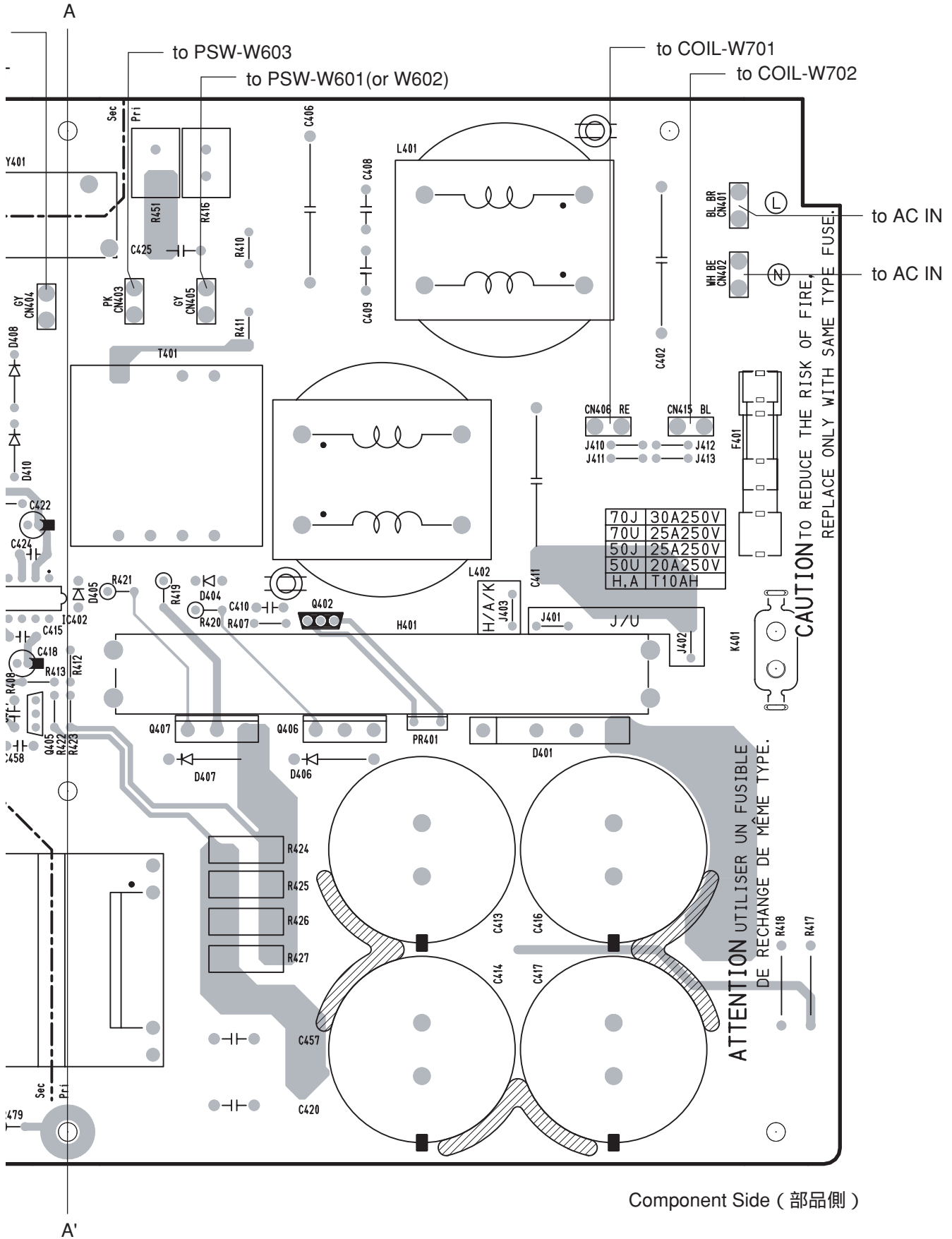
Following semi-conductors are installed for the PA unit.
(下記半導体はPAユニットで取付されます。)

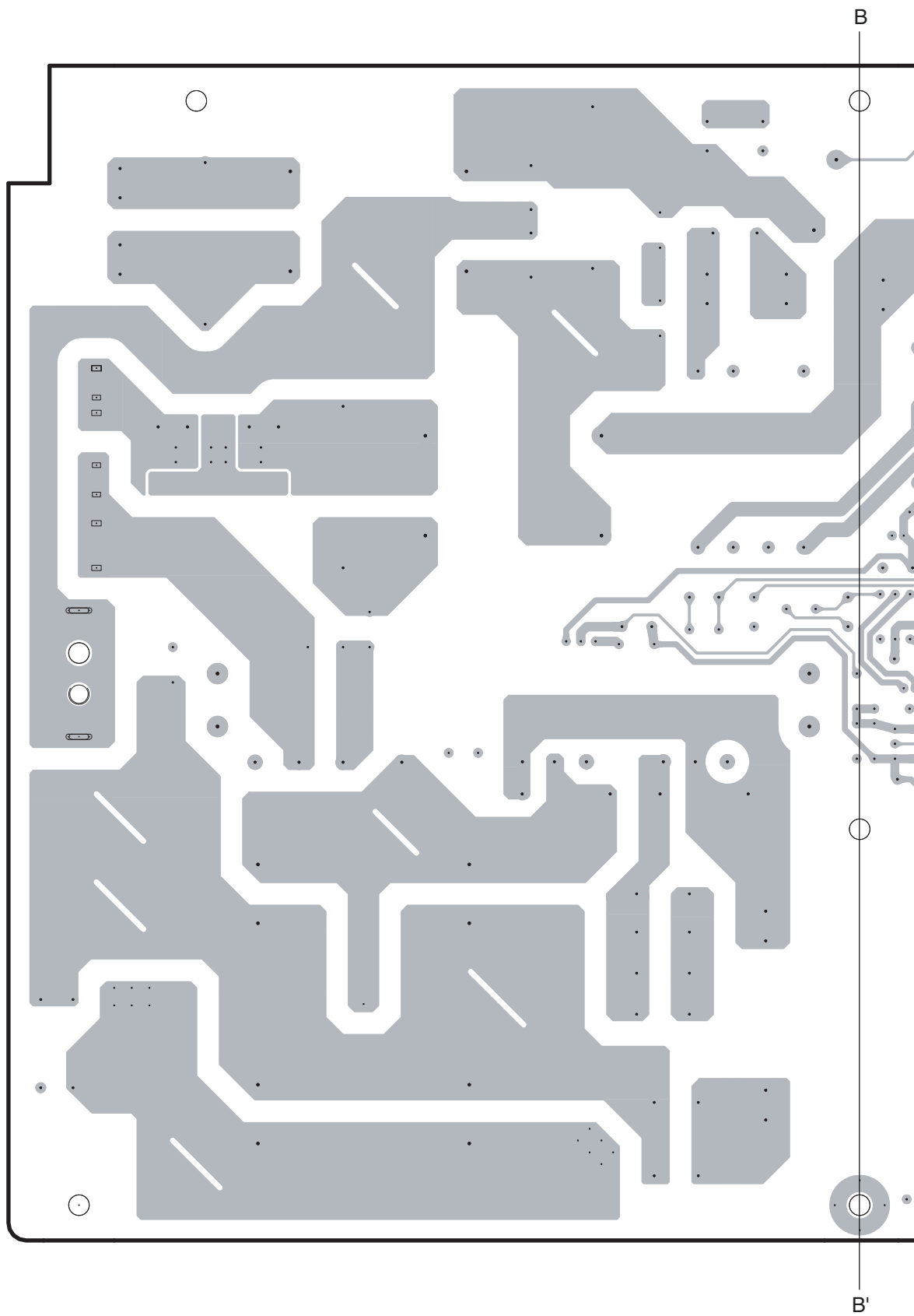
ref.	P5000S	P7000S
D124	○	○
D125	○	○
D126	○	○
D127	○	○
Q112	○	○
Q113	○	○
Q114	○	○
Q115	○	○
Q117N	○	○
Q117P	○	○
Q118N	○	○
Q118P	○	○
Q119N	○	○
Q119P	○	○
Q120N	○	○
Q120P	○	○
Q121N	○	○
Q121P	○	○
Q122N	○	○
Q122P	○	○
Q123N	—	○
Q123P	—	○
Q124N	○	○
Q124P	○	○
Q125N	○	○
Q125P	○	○
Q126N	○	○
Q126P	○	○
Q218	○	○
PR201	○	○
PR202	○	○

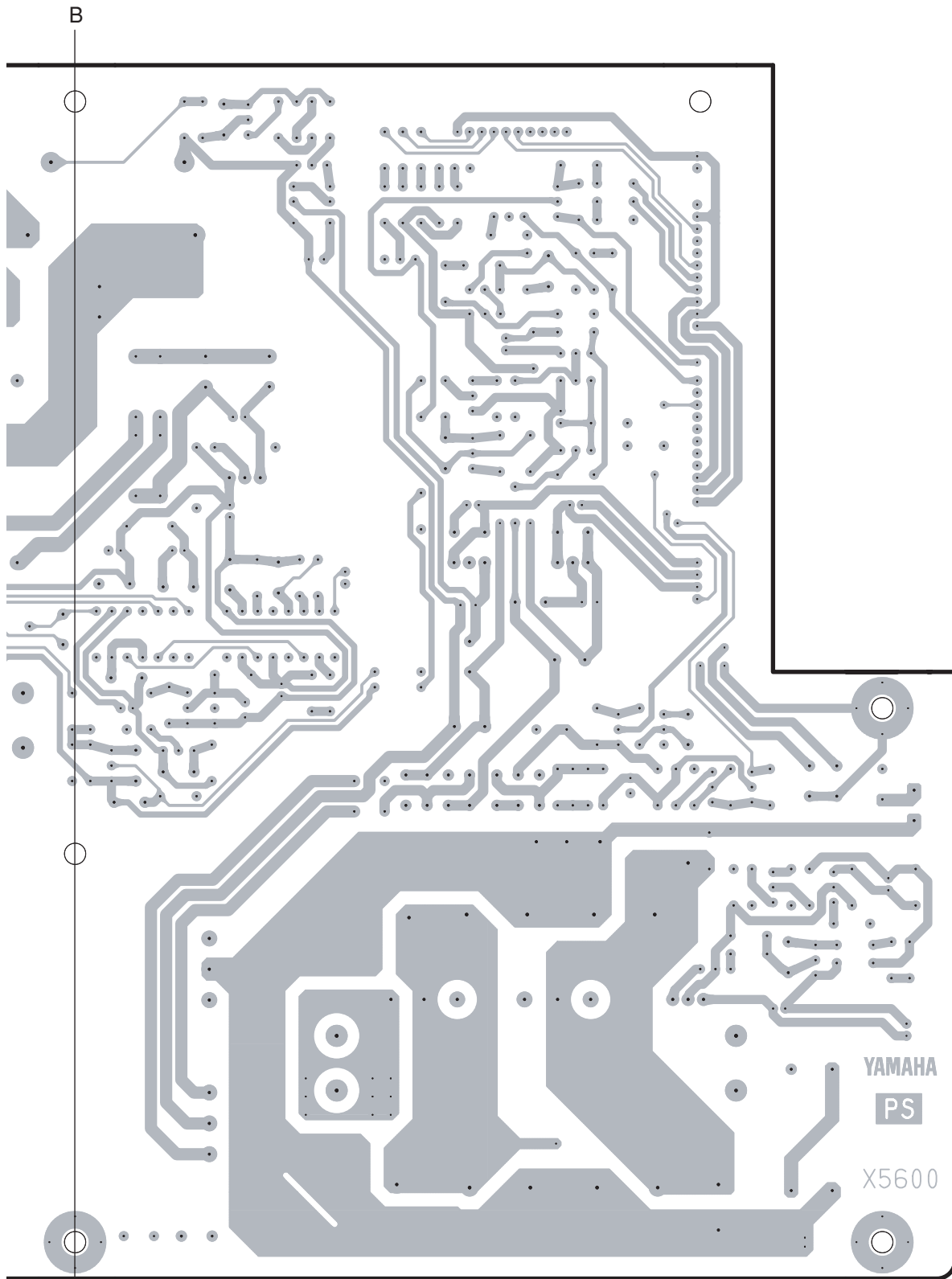
○ :Installed — :not installed

• PS Circuit Board







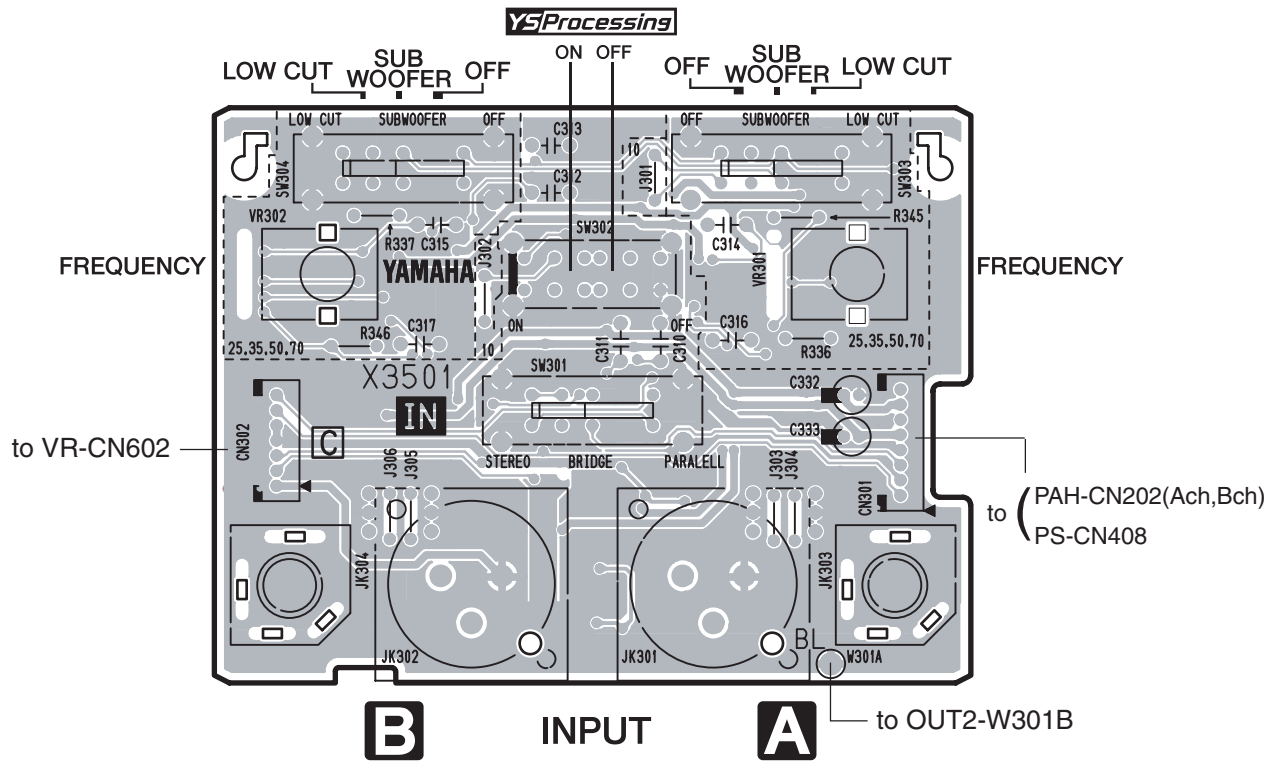


Pattern Side (パターン側)

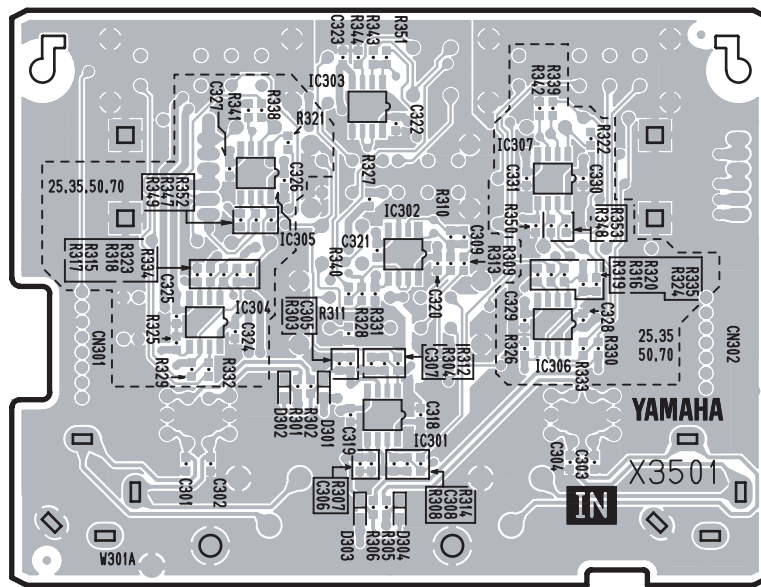
PS: 2NAP-WD35180 \triangle (P5000S)

PS: 2NAP-WD35180 \triangle (P7000S)

• IN Circuit Board

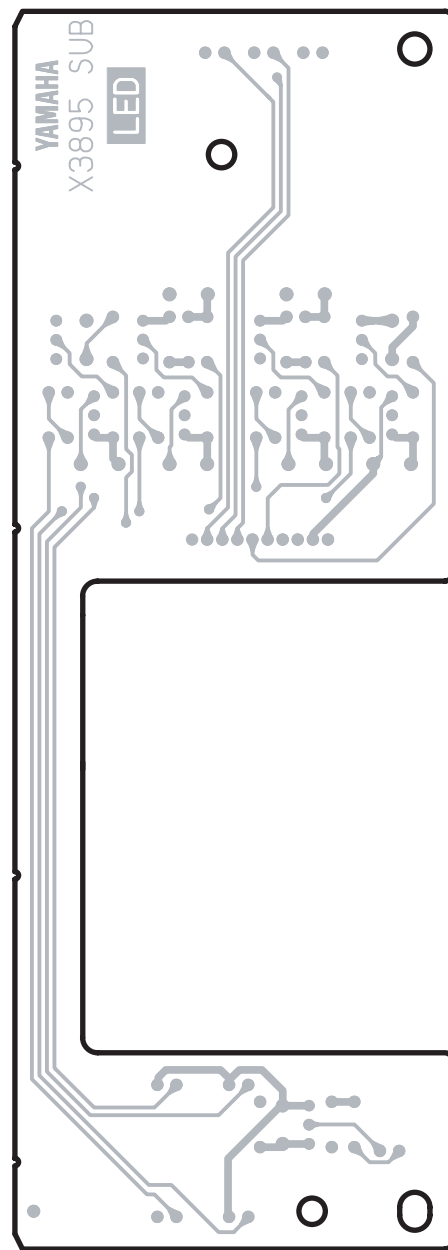
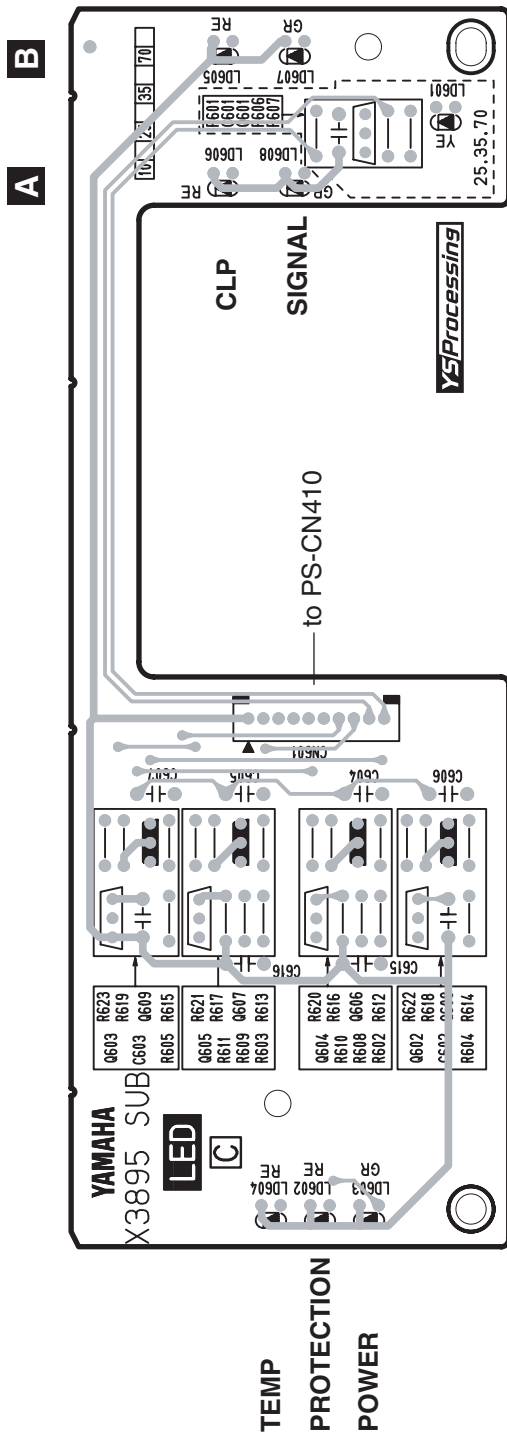


Component Side (部品側)



Pattern Side (パターン側)

• LED Circuit Board

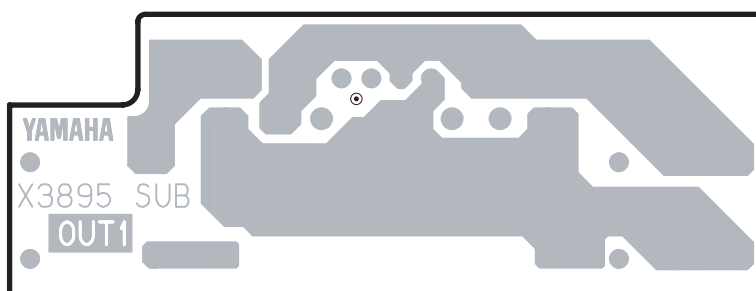
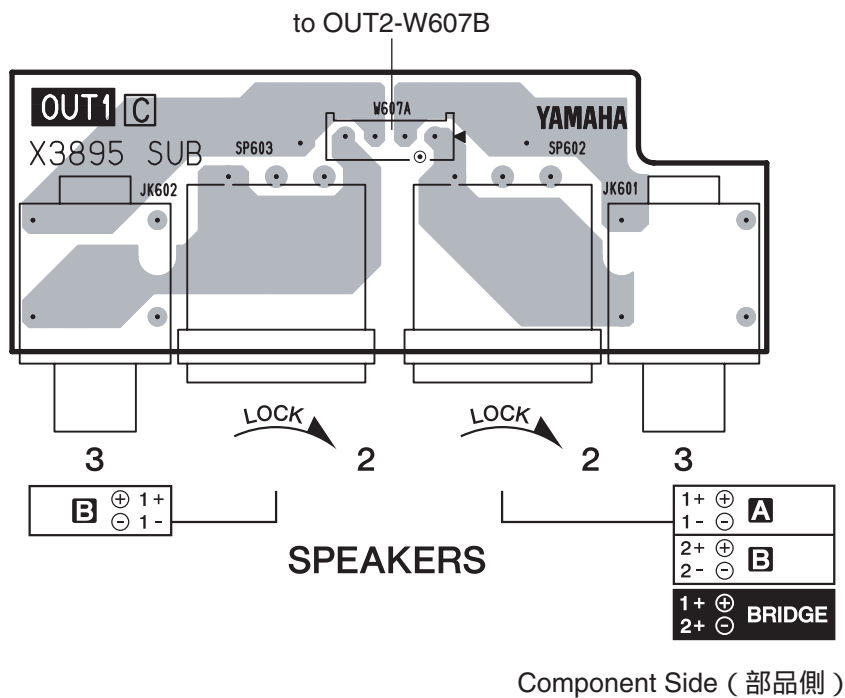


Pattern Side (パターン側)

As for Ver B, some silk prints are different.
Ver. Bはシルク印刷が若干異なります。

Component Side (部品側)

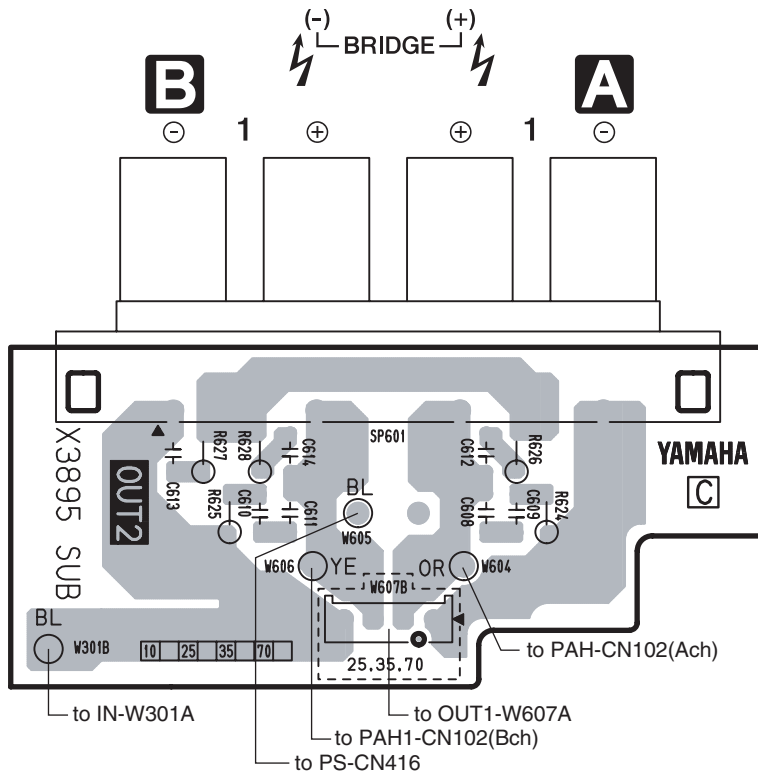
• OUT1 Circuit Board



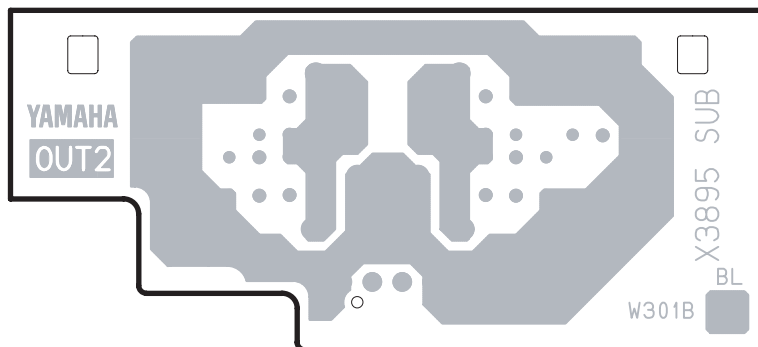
Pattern Side (パターン側)

As for Ver B, some silk prints are different.
Ver. Bはシルク印刷が若干異なります。

• OUT2 Circuit Board



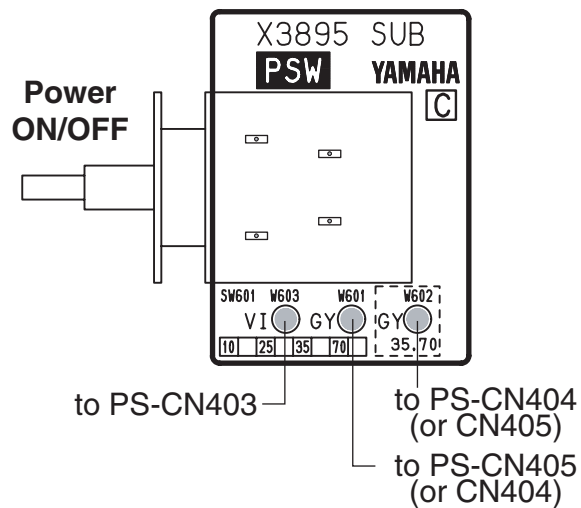
Component Side (部品側)



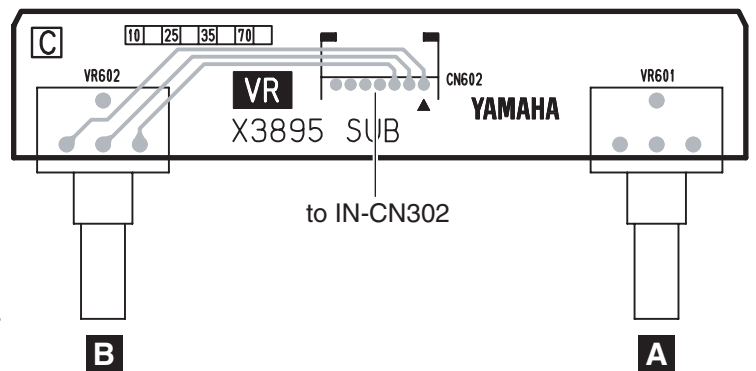
Pattern Side (パターン側)

As for Ver B, some silk prints are different.
Ver. Bはシルク印刷が若干異なります。

• PSW Circuit Board



• VR Circuit Board

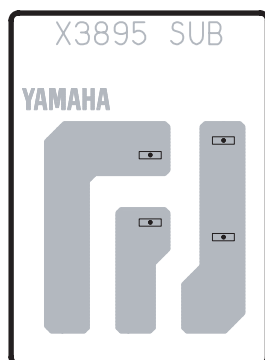


Component Side (部品側)

Component Side (部品側)



Pattern Side (パターン側)

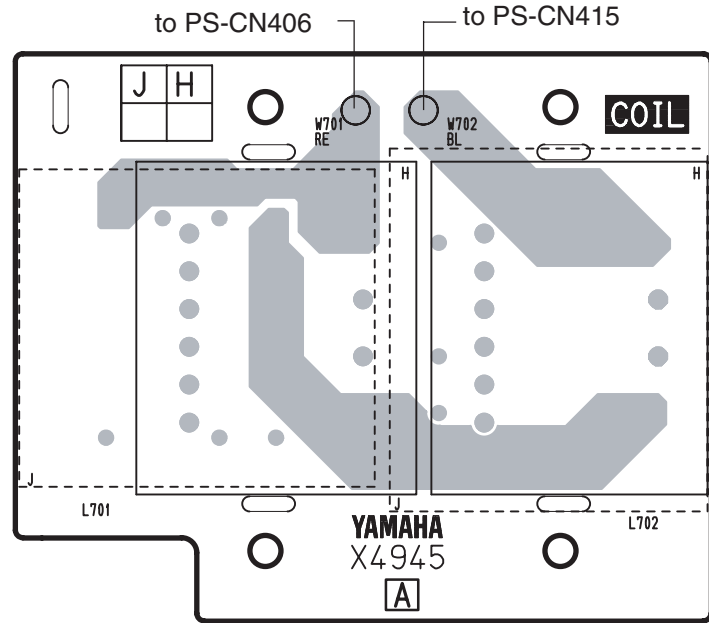
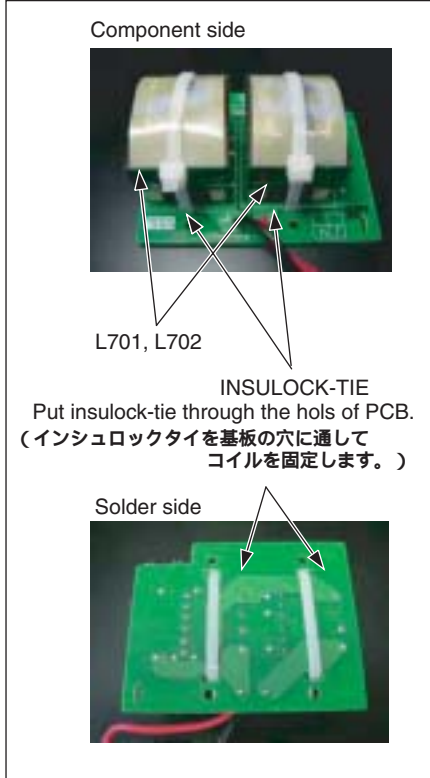


Pattern Side (パターン側)

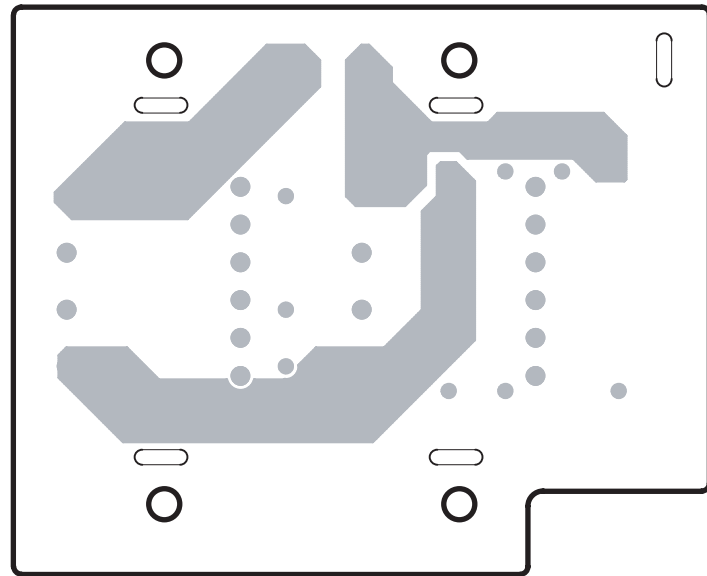
As for Ver B, some silk prints are different.
Ver. Bはシルク印刷が若干異なります。

• COIL Circuit Board

H destination(H 仕向)



Component Side
(部品側)



Pattern Side
(パターン側)

■ INSPECTION

1. Scope

- This inspection specifications is applied to the power amplifier P5000S/P7000S.
- * Refer to P42 “The switch and adjustment part” for details in the adjustment part.

2. Preparation for STEREO/PARALLEL mode

Attenuator	: "0"(MAX)
Input terminal	: cannon connector 2PIN-HOT/3PIN-COLD/1PIN-GND
MODE switch	: STEREO
SUBWOOFER/LOW CUT switch	: OFF
YS Processing switch	: OFF
Load resistor	: 8ohms +/- 1%

Unless otherwise specified, the operation shall be both channels drive.

DIN AUDIO filter shall be used for the noise level measurements.

Unless otherwise specified, the input signal shall be high quality sine wave.

3. Inspection and Adjustment

3.1 POWER LED, PROTECTION LED and Power on muting time

POWER LED and PROTECTION LED shall light when the POWER switch is turned on.
2.5 +/- 1 seconds after the power switch is turned on, PROTECTION LED shall lights off.

3.2 Fan and TEMPLED

The fan shall operate when short circuit on the two jumper wires that mounted of PS circuit board marked "FAN-C". The TEMP LED shall lights up when short circuit on the two jumper wires that marked "TM-C".

3.3 Idle current

Connect the input terminal to the GROUND and adjust VR201 on the PAH circuit board that the DC voltage of Vb between the pin1 and pin2 of CN101 shall be 0.275 +/- 0.025mV.
After finishing all inspections, adjust the Vb again to 0.5 +/- 0.1mV.
This adjustment should be performed in both channels.

3.4 DC Voltage of output terminal

Connect the input terminal to the GROUND and measure the DC voltage Vdc of the output terminal shall be 0 +/- 75mV.

3.5 Gain

The output voltage should be +22.1 +/- 0.5dBu when input signal is 1kHz, -10.0dBu.
This inspection shall be performed on PARALLEL mode.
Don't feed input signal to channel B on PARALLEL mode.
Set the input attenuator to -10dB. Input signal is 1kHz, -10dBu.
The output voltage shall be 12.0 +/- 3.0dB.

3.6 Frequency response

Input signals are each 20Hz, 1kHz and 20kHz, -10dBu.
The output voltage shall be 0.0 +/- 0.5dB at 20Hz, -0.5 +/- 0.5dB at 20kHz compared to the 1kHz.
Set MODE switch to PARALLEL.
The inspection process of SUB WOOFER and LOW CUT position as follows.

- 1) channel A 25Hz
- 2) channel A 150Hz
- 3) channel B 25Hz
- 4) channel B 150Hz

***SUB WOOFER position(OFF/SUB WOOFER/LOW CUT switch)**

<It sets [FREQUENCY] adjustment knob to 25Hz (Min.).>

Input signal is 25Hz, -10dBu, and set FREQUENCY to 25Hz.

The output voltage shall be -3.0 +/- 2.0dB compared to the 1kHz at the switch off.

<It sets [FREQUENCY] adjustment knob to 150Hz (Max.).>

Input signal is 150Hz, -10dBu, and set FREQUENCY to 150Hz.

The output voltage shall be -3.0 +/- 2.0dB compared to the 1kHz at the switch off.

***LOW CUT position(OFF/SUB WOOFER/LOW CUT switch)**

<It sets [FREQUENCY] adjustment knob to 25Hz (Min.).>

Input signal is 25Hz, -10dBu, and set FREQUENCY to 25Hz.

The output voltage shall be -4.2 +/- 2.0dB compared to the 1kHz at the switch off.

<It sets [FREQUENCY] adjustment knob to 150Hz (Max.).>

Input signal is 150Hz, -10dBu, and set FREQUENCY to 150Hz.

The output voltage shall be -4.0 +/- 2.0dB compared the 1kHz at the switch off.

***YS Processing switch: ON**

Input signal is 70Hz, -10dBu,

the output voltage shall be +6.5 +/- 1.5dB compared to the 1kHz at the YS Processing switch off, and the YS Processing LED shall lights up

***Set MODE switch to STEREO.**

3.7 Distortion Factor

Input signals are each 20Hz and 20kHz,The distortion shall be less than 0.1% when output power level as follows. This inspection should have been finished within 30 seconds.

P5000S	P7000S(J/U/V/A/T)	P7000S(H/W/B/K/O)
500W+500W	700W+700W	650W+650W

3.8 Cross talk

Input signal is 1kHz to the channel A, and shunt the input terminal of channel B with 600ohms (2pin-hot, 3pin-cold).

Set the output power of channel A as follows.

The output voltage of channel B shall be less than -70dB compared to output voltage of channel A. The conditions of channel A and channel B are replaced and inspected.

P5000S	P7000S
250W	350W

3.9 Output Noise level

Shunt the input terminal with 600 ohms (2pin-hot, 3pin-cold).

The noise level of the output terminal shall be less than -65 dBu.

Set the input attenuator to MIN. The noise level shall be less than -70 dBu.

3.10 Stability

Input the rectangular waveform of 10kHz at -10dBu.

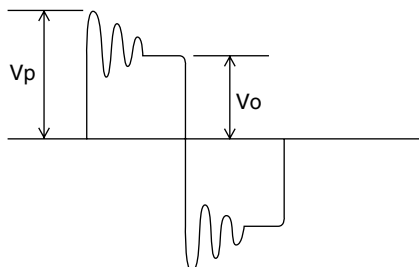
Connect only capacitance of 0.01uF (Polyester film capacitance) to output terminal.

Input signal is 10kHz, -10dBu square wave.

The overshoot and the ringing should be as follows.

Overshoot : $V_p/V_o < 2.5$

Ringing : Within 7 waves and no oscillation.



3.11 Protection circuit for DC fault

Disconnect of load resistor from output terminal.

PROTECTION LED shall not light up when input signal is 10Hz, +9.0dBu.

The power supply shall shut down less than 2 seconds when input signal is 1Hz, +5.0dBu.

Turn off the power switch.

The power amp shall restart, when the switch will be turned on again after 3 seconds.

3.12 Efficiency

(1) The primary electrical power shall be as follows when input signal is 1kHz, -6.6dBu.

P5000S	P7000S
140 +/- 30W	140 +/- 30W

(2) The primary electrical power shall be as follows when shunt the input terminal with 600 ohms (2pin-hot, 3pin-cold).

P5000S	P7000S
35 +/- 10W	35 +/- 10W

3.13 VI limiter and compressor

Connect 1ohm(+/- 5%) load resistor to output terminal.

Input signal is 1kHz, -1.5dBu.

The output voltage shall be as follows and the distortion shall be less than 5%.

Then, CLIP LED shall light up.

This inspection should have been finished within 30 seconds.

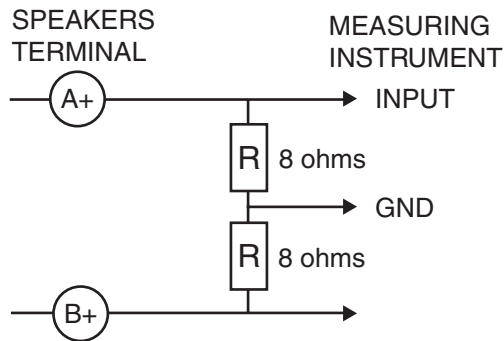
P5000S	P7000S
16 +/- 4V	18 +/- 4V

3.14 SIGNAL LED

SIGNAL LED shall lights up when input signal is 1kHz, -23dBu.

4. Preparation For BRIDGE mode

- Attenuator : "0"(MAX) Effective only channel A.
- Input terminal : cannon connector 2PIN-HOT/3PIN-COLD/1PIN-GND
- MODE switch : BRIDGE
- SUBWOOFER/LOW CUT switch : OFF
- YS Processing switch : OFF
- Load resistor : 8+8 ohms +/- 1%
- Connection for measuring : Measure the output at the point as shown below.



5. Inspection

5.1 gain

The output voltage shall be +22.1 +/- 1dBu when input signal is 1kHz, -10.0dBu.

5.2 Frequency response

Input signals are each 20Hz, 1kHz and 20kHz, -10dBu.

The output voltage shall be 0.0 +/- 0.5dB at 20Hz, -0.5 +/- 0.5dB at 20kHz compared to the 1kHz.

5.3 Distortion Factor

Input signals are each 20Hz and 20kHz.

The distortion shall be less than 0.1% when output voltage as follows.

This inspection should have been finished within 30 seconds.

P5000S	P7000S(J/U/V/A/T)	P7000S(H/W/B/K/O)
63.25V	74.83V	72.11V

5.4 Output Noise level

Shunt the input terminal with 600 ohms (2pin-hot, 3pin-cold).

The noise level of output terminal shall be less than -60 dBu.

Next, set the input attenuator to MIN.

The noise level shall be less than -65 dBu.

6. PS sheet trouble repair guide

6.1 The application sheet part number and the line voltage

<Table 1-1>

Part number	Sheet name	Line voltage
WD351800	PS70J	AC100V/50Hz
WD351900	PS70U	AC120V/60Hz
WD352000	PS70H	AC230V/50Hz
WD352100	PS70A	AC240V/50Hz
WD352200	PS70K	AC230V/50Hz
WD352300	PS50J	AC100V/50Hz
WD352400	PS50U	AC120V/60Hz
WD352500	PS50H	AC230V/50Hz
WD352600	PS50A	AC240V/50Hz
WD352700	PS50K	AC230V/50Hz

6.2 Electric performance

6.2-1 Preparation

- It connects sheet PSW (WD353900 the part of the SUB sheet) with CN403, CN404, CN405.
- The sheet In case of setting which COIL70J or COIL70H are used for, it connects J410-J413.
(Or, it short-circuits in CN406 and CN415).
- Connecting load resistor with the $\pm B$, $\pm 15 V$. <Table 2-1>
- It connects power code in CN401, CN402.
- It adjusts a line voltage to the voltage which suited each sheet. It refers to <table 1-1>

* As for the location, refer to Fig.1.

6.2-2 Each part voltage

It is ON in POWER SW when being, each part output voltage is normal if it is stored in the range in <table 2-1>.

When a line voltage is shifted, it doesn't sometimes become the output voltage of <table 2-1> when measuring output voltage without the load resistor.

<Table 2-1>

Model	Measurement part	Measurement place	Output voltage(DC)			Load resistor
			J	U,A	H	
P7000S	+ B	W406RE-W407BL	+150.8 \pm 3V	+141.4 \pm 3V	+143.5 \pm 3V	22K Ω 3W
	- B	W407BL-W408WH	-150.8 \pm 3V	-141.4 \pm 3V	-143.5 \pm 3V	22K Ω 3W
P5000S	+ B	W406RE-W407BL	+122.5 \pm 3V	+113.1 \pm 3V	+124.3 \pm 3V	22K Ω 3W
	- B	W407BL-W408WH	-122.5 \pm 3V	-113.1 \pm 3V	-124.3 \pm 3V	22K Ω 3W
commonness	+15V	CN408 1-2pin	+15.0 \pm 0.6V	+15.0 \pm 0.6V	+15.0 \pm 0.6V	10K Ω 1/4W
	-15V	CN408 3-2pin	-15.0 \pm 0.6V	-15.0 \pm 0.6V	-15.0 \pm 0.6V	10K Ω 1/4W

6.3 Discharge

When treating with simple substance sheet, for the shock guard (discharging in the electric charge of the capacitor), discharge with the following terminal by resistor.

- Terminals of C416 and C417(Power SW OFF there is not need of the discharge but checking voltage for the safe confirmation if leaving later for equal to or more than 10 minutes)
- Between W406RE-W407BL and W407BL-W408WH.
- Terminals of C402

6.4 Repair concrete instance at the trouble part

All secondary output isn't output.

Check the following instruction.

- ① Confirm the resistor value of R416, R451(6.8Ω 5 W).
Exchange if open the resistor value.
- ② Confirm the resistor value of Q406, Q407 Between C-E.
If short or several value(Ω), remove the part and then exchange IC402 because it is broken.
- ③ Conform the resistor value of R420, R421.
Confirm whether or not it is a 10Ω .
Remove if open or a resistor value is increased.
- ④ Conform the resistor value of R419.
Confirm whether or not it is a 4.7Ω .
Remove if open or a resistor value is increased.
- ⑤ Conform the resistor value of R429, R430.
Remove if open or a resistor value is increased.
- ⑥ Confirmation of F401.
Confirm the resistor value of F401.
Don't install the test of ⑦ ends.
- ⑦ Conform a waveform of IC402.
Confirm alternating volts.

【Note】

The earth of the measuring machine doesn't connect.

The parts sometimes damages when using in the connecting condition.

After ① - ⑦ ending, it observes a waveform IC402-1Pin(Lo),2Pin(COM) with the oscilloscope.

There is good if being the square wave (0-15V) of the about 70 kHz.

In the waveform malfunction case, confirm that the output of IC403 (regulator) is +15 V.

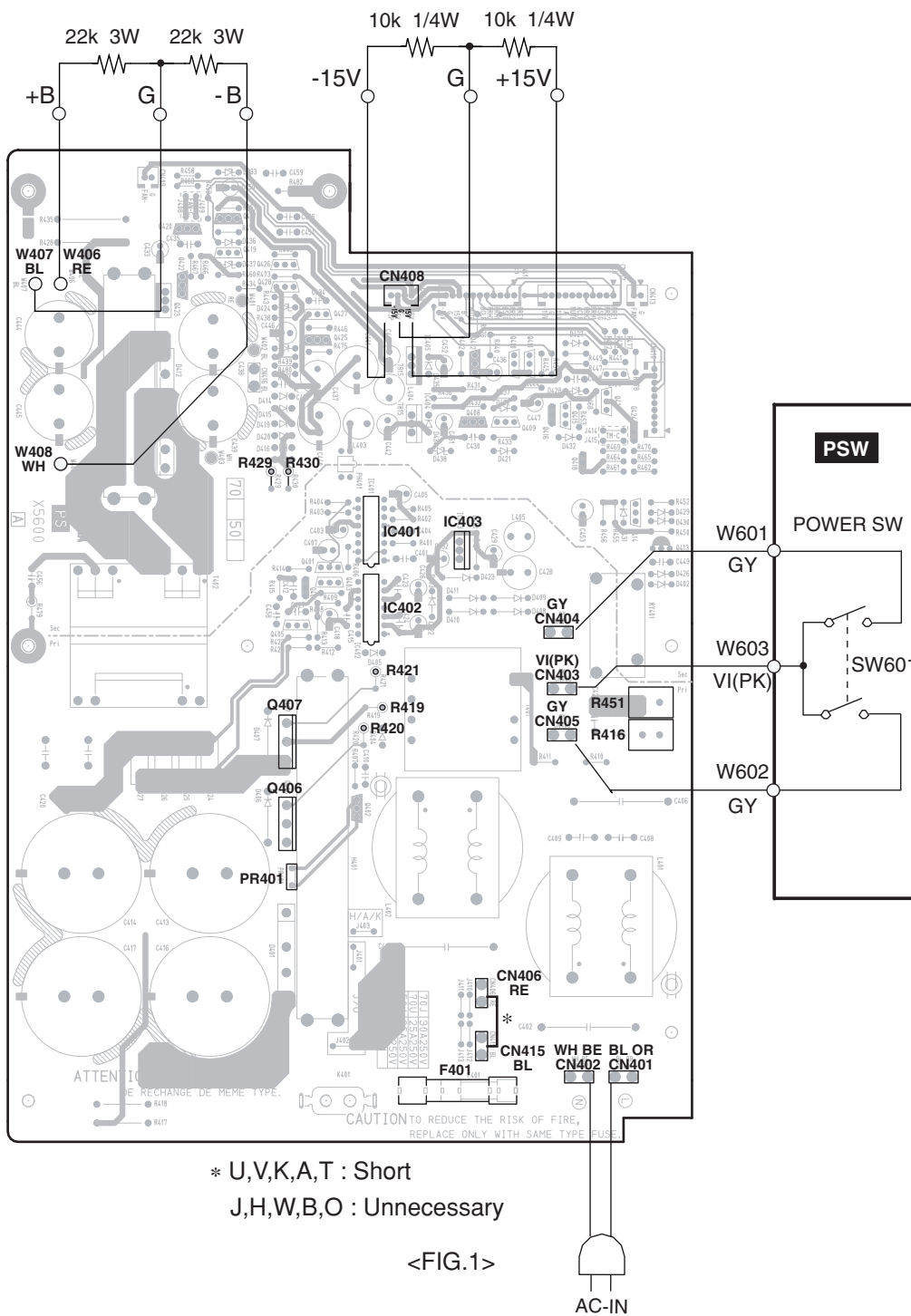
In case of equal to or less than 15V, it exchanges IC402 and it observes a waveform once again.

(When exchanging IC402 already by ② , you exchange IC401).

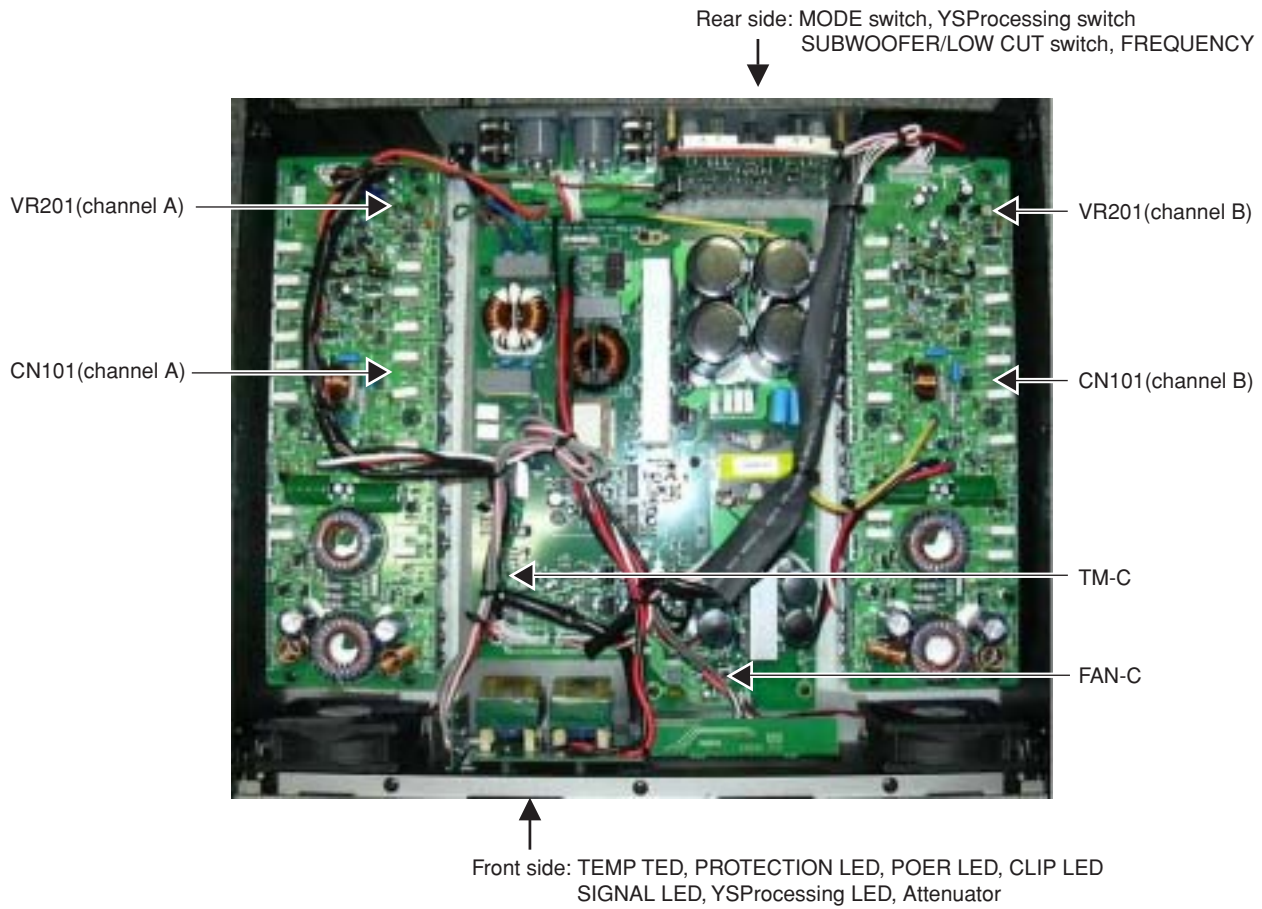
* When observing a waveform, do short-circuiting of PR401.

- ⑧ Exchange the parts which was removed by ① - ⑦ for the normal part.
- ⑨ It is repair completion if confirming "6-2. Electric performance" and not being in the problem.

• Wurubg/Check Parts



● The switch and adjustment part



7. Preparation of Delivery

- | | |
|--------------------------|----------|
| Attenuator | : MIN |
| MODE switch | : STEREO |
| SUBWOOFER/LOW CUT switch | : OFF |
| YS Processing switch | : ON |
| FREQUENCY | : 25Hz |

■ 検査

1. 適用範囲

- ・パワーアンプ P5000S/P7000S について規定します。
- * 調整箇所の詳細については P50 " スイッチ及び調整箇所 " を参照してください。

2. STEREO/PARALLEL モード用の準備

アッテネータ	: "0"(MAX)
入力端子	: cannon connector 2PIN-HOT/3PIN-COLD/1PIN-GND
モードスイッチ	: STEREO
SUBWOOFER/LOW CUT スイッチ	: OFF
YS Processing スイッチ	: OFF
負荷抵抗	: 8 +/- 1%

特に指定の無い場合、両チャンネル駆動とします。
DIN AUDIO フィルタを用いてノイズレベルを測定します。
特に指定の無い場合、入力信号は高品位サイン波とします。

3. 検査及び調整

3.1 POWER LED, PROTECTION LED 及び Power on muting time

電源を投入し、POWER,PROTECTION LED が点灯することを確認します。
電源を投入し、2.5 ± 1 秒にて、PROTECTION LED が消灯することを確認します。

3.2 Fan 及び TEMP LED

PS シートの "FAN-C" と表記された枠内の 2 本のジャンパー線をショートした時、FAN が回転することを確認します。同じく "TM-C" と表記された枠内の 2 本のジャンパー線をショートした時、TEMP LED が点灯することを確認します。

3.3 アイドリング電流

入力端子を接地して、PAH シート CN101 の 1-2 番端子間の直流電圧 V_b が $0.275 \pm 0.025mV$ となるように、VR201 を調整します。全検査終了後、再度 V_b を $0.5 \pm 0.1mV$ となるように調整します。
この調整は両チャンネル共に行います。

3.4 出力端子、直流電圧

入力端子を接地し、出力端子の直流電圧 V_{dc} を測定し、 $0 \pm 75mV$ であることを確認します。

3.5 利得

入力端子に 1kHz、-10.0dBu の正弦波を入力した時、 $+22.1 \pm 0.5dBu$ の出力電圧を得られる事を確認します。
さらに PARALLEL モードでも検査を行います。
PARALLEL モードでは、Bch の入力端子に信号を入力しないでください。
アッテネーターを -10dB のポジションに設定し、入力端子に 1kHz、-10.0dBu の正弦波を入力した時、出力電圧が $+12.0 \pm 3.0dB$ 以内であることを確認します。

3.6 周波数特性

20Hz、1kHz、20kHz、-10dBu の信号を入力した時、出力電圧が 1kHz を基準に 20Hz では $0.0 \pm 0.5dB$ 以内、20kHz では $-0.5 \pm 0.5dB$ 以内であることを確認します。
MODE スイッチを PARALLEL にセットします。
SUB WOOFER と LOW CUT のポジションの検査は、次の順序で行います。

- 1) channel A 25Hz
- 2) channel A 150Hz
- 3) channel B 25Hz
- 4) channel B 150Hz

***[OFF/SUB WOOFER/LOW CUT] スイッチを ' SUB WOOFER ' にします。**

<[FREQUENCY]調整つまみを 25Hz(最小)にします >

25Hz、-10dBu の信号を入力した時、出力電圧が、[OFF/SUB WOOFER/LOW CUT] スイッチ OFF 時の 1kHz の出力電圧を基準に $-3.0 \pm 2.0\text{dB}$ 以内であることを確認します。

<[FREQUENCY]調整つまみを 150Hz(最大)にします >

150Hz、-10dBu の信号を入力した時、出力電圧が、[OFF/SUB WOOFER/LOW CUT] スイッチ OFF 時の 1kHz の出力電圧を基準に $-3.0 \pm 2.0\text{dB}$ 以内であることを確認します。

***[OFF/SUB WOOFER/LOW CUT] スイッチを ' LOW CUT ' にします。**

<[FREQUENCY]調整つまみを 25Hz(最小)にします >

25Hz、-10dBu の信号を入力した時、出力電圧が[OFF/SUB WOOFER/LOW CUT] スイッチ OFF 時の 1kHz の出力電圧を基準に $-4.2 \pm 2.0\text{dB}$ 以内であることを確認します。

<[FREQUENCY]調整つまみを 150Hz(最大)にします >

150Hz、-10dBu の信号を入力した時、出力電圧が[OFF/SUB WOOFER/LOW CUT] スイッチ OFF 時の 1kHz の出力電圧を基準に $-4.0 \pm 2.0\text{dB}$ 以内であることを確認します。

***YS Processing switch: ON**

70Hz、-10dBu の信号を入力した時の出力電圧が、1kHz,YS Processing SW OFF 時の出力電圧を基準に $+6.5 \pm 1.5\text{dB}$ 以内であることを確認します。

また、YS Processing LED が点灯することを確認します。

***MODE スイッチを STEREO にセットします**

3.7 歪率

入力端子に 20Hz,20kHz の信号を入力し下表の定格出力を得た時の歪率は 0.1% 以下であることを確認します。この検査は 30 秒以内に終了してください。

P5000S	P7000S(J/U/V/A/T)	P7000S(H/W/B/K/O)
500W+500W	700W+700W	650W+650W

3.8 チャンネルセパレーション

A チャンネルに 1kHz を入力し、B チャンネルの入力端子間 (2pin-hot, 3pin-cold) を 600 Ω でシャントします。

A チャンネルの出力を下表の値にセットします。

B チャンネルの出力電圧は A チャンネルに比較して -70dB 以下であることを確認します。

次に A と B を入れ換えて検査します。

P5000S	P7000S
250W	350W

3.9 出力ノイズレベル

入力端子間 (2pin-hot, 3pin-cold) を 600 Ω でシャントします。

出力端子に発生するノイズレベルを測定し、-65dBu 以下であることを確認します。

アッテネーターを MIN にし、-70dBu 以下であることを確認します。

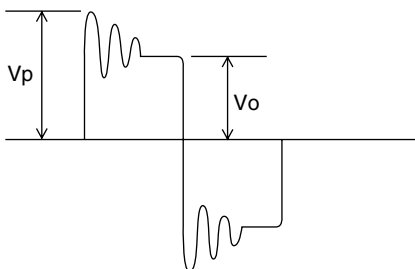
3.10 安定度

負荷を純容量 0.01 μ F (フィルムコンデンサ) のみとします。

10kHz, -10dBu の矩形波を入力した時、発振せずに以下の条件を満足することを確認します。

オーバーシュート : $V_p/V_o < 2.5$

リングング : 7 波以内に収束し、発振などを生じないこと。



3.11 プロテクション回路

出力端子から負荷抵抗の接続を外します。

10Hz, +9.0dBu の信号を入力し、PROTECTION LED が点灯しないことを確認します。

1Hz, +5.0dBu の信号を入力した時、2 秒以内に電源がシャットダウンすることを確認します。

パワースイッチを OFF します。その 3 秒後にパワースイッチを ON して、再起動可能な事を確認します。

3.12 効率

(1) 1kHz, -6.6dBu の信号を入力して、一次電力を測定し下表の範囲内であることを確認します。

P5000S	P7000S
140 +/- 30W	140 +/- 30W

(2) 入力端子間 (2pin-hot, 3pin-cold) を 600 Ω でシャントして、一次電力を測定し下表の範囲内であることを確認します。

P5000S	P7000S
35 +/- 10W	35 +/- 10W

3.13 V I リミッター及びコンプ

出力端子に負荷として 1 Ω ($\pm 5\%$) を接続し 1kHz, -1.5dBu の信号を入力します。

出力電圧は下表の範囲であること、また歪率は 5% 以下であり、CLIP LED が点灯することを確認します。

この検査は 30 秒以内に終了してください。

P5000S	P7000S
16 +/- 4V	18 +/- 4V

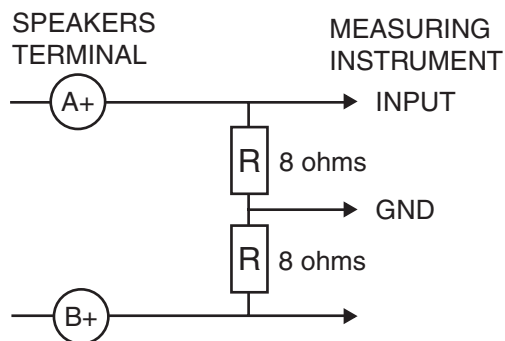
3.14 SIGNAL LED

1kHz, -23dBu の正弦波を入力し、SIGNAL LED が点灯することを確認します。

4. BRIDGE モード用の準備

- アッテネーター : "0"(MAX)A チャンネルのみ有効.
- 入力端子 : cannon connector 2PIN-HOT/3PIN-COLD/1PIN-GND
- モードスイッチ : BRIDGE
- SUBWOOFER/LOW CUT スイッチ : OFF
- YS Processing スイッチ : OFF
- 負荷抵抗 : 8+8 +/- 1%

下図のとおりに接続して、各点における出力を測定します。



5. 検査

5.1 利得

1kHz、-10.0dBu の信号を入力した時、+22.1 ± 1.0dBu の出力電圧を得ることを確認します。

5.2 周波数特性

20Hz、1kHz、20kHz、-10dB の信号を入力した時、出力電圧が1kHz の出力電圧を基準に 20Hz では 0.0 ± 0.5dB 以内、20kHz では -0.5 ± 0.5dB 以内であることを確認します。

5.3 歪率

入力端子に 20Hz,20kHz の信号を入力し下表の出力電圧を得た時の歪率は 0.1% 以下であることを確認します。この検査は 30 秒以内に終了してください。

P5000S	P7000S(J/U/V/A/T)	P7000S(H/W/B/K/O)
63.25V	74.83V	72.11V

5.4 出力ノイズレベル

入力端子間 (2pin-hot, 3pin-cold) を 600 Ω でシャントします。
 出力端子に発生するノイズレベルを測定し、-60dBu 以下であることを確認します。
 次にアッテネーターを MIN にし、-65dBu 以下であることを確認します。

6. PSシート故障修理ガイド

6.1 適用シート部品番号及び電源電圧

<表1-1>

部品番号	シート名称	電源電圧
WD351800	PS70J	AC100V/50Hz
WD351900	PS70U	AC120V/60Hz
WD352000	PS70H	AC230V/50Hz
WD352100	PS70A	AC240V/50Hz
WD352200	PS70K	AC230V/50Hz
WD352300	PS50J	AC100V/50Hz
WD352400	PS50U	AC120V/60Hz
WD352500	PS50H	AC230V/50Hz
WD352600	PS50A	AC240V/50Hz
WD352700	PS50K	AC230V/50Hz

6.2 正常動作時電気的性能

6-2-2 準備

- ・ CN403,CN404,CN405 にシート PSW(WD353900 SUB シートの1部)を接続します。
 - ・ COIL70J 又は COIL70H シートが使用されている仕向においては、J410 ~ J413 を接続します。
(もしくは CN406 と CN415 をショートします)
 - ・ ± B 電源、± 15V に負荷抵抗を接続します。 <表 2-1 > 参照
 - ・ 電源コードを CN401,CN402 に挿入します。
 - ・ 電源電圧を各シート(仕向け)に合った電圧に調整します。(<表 1-1 > を参照)
- * ロケーションについては < Fig. 1 > を参照願います。

6-2-2 各部電圧

POWER SW を ON した時、各部出力電圧は <表 2-1 > の範囲に入っていれば正常です。
負荷抵抗なしで出力電圧を測定した場合や電源電圧がずれている場合、 <表 2-1 > の出力電圧にならない場合があります。

<表2-1>

モデル	測定部	測定場所	出力電圧(DC)			負荷抵抗
			J	U,A	H	
P7000S	+ B 電圧	W406RE-W407BL間	+150.8 ± 3V	+141.4 ± 3V	+143.5 ± 3V	22KΩ3W
	- B 電圧	W407BL-W408WH間	-150.8 ± 3V	-141.4 ± 3V	-143.5 ± 3V	22KΩ3W
P5000S	+ B 電圧	W406RE-W407BL間	+122.5 ± 3V	+113.1 ± 3V	+124.3 ± 3V	22KΩ3W
	- B 電圧	W407BL-W408WH間	-122.5 ± 3V	-113.1 ± 3V	-124.3 ± 3V	22KΩ3W
共通	+15V 電源	CN408 1-2ピン	+15.0 ± 0.6V	+15.0 ± 0.6V	+15.0 ± 0.6V	10KΩ1/4W
	-15V 電源	CN408 3-2ピン	-15.0 ± 0.6V	-15.0 ± 0.6V	-15.0 ± 0.6V	10KΩ1/4W

6.3 放電

シート単体で取り扱う場合には、感電防止(コンデンサの電荷を放電)の為、下記の端子を抵抗で放電して下さい。

- ・ C416 及び C417 の ± 端子間(パワー SW OFF 後 10 分以上放置すれば放電の必要はありませんが安全確認の為電圧をチェックして下さい)
- ・ W406RE - W407BL 間及び W407BL - W408WH 間
- ・ C402 の端子間

6.4 故障箇所の修理具体例

2 次側出力電圧が、すべて出力されない。

下記の部品をチェックして、指示に従って下さい。

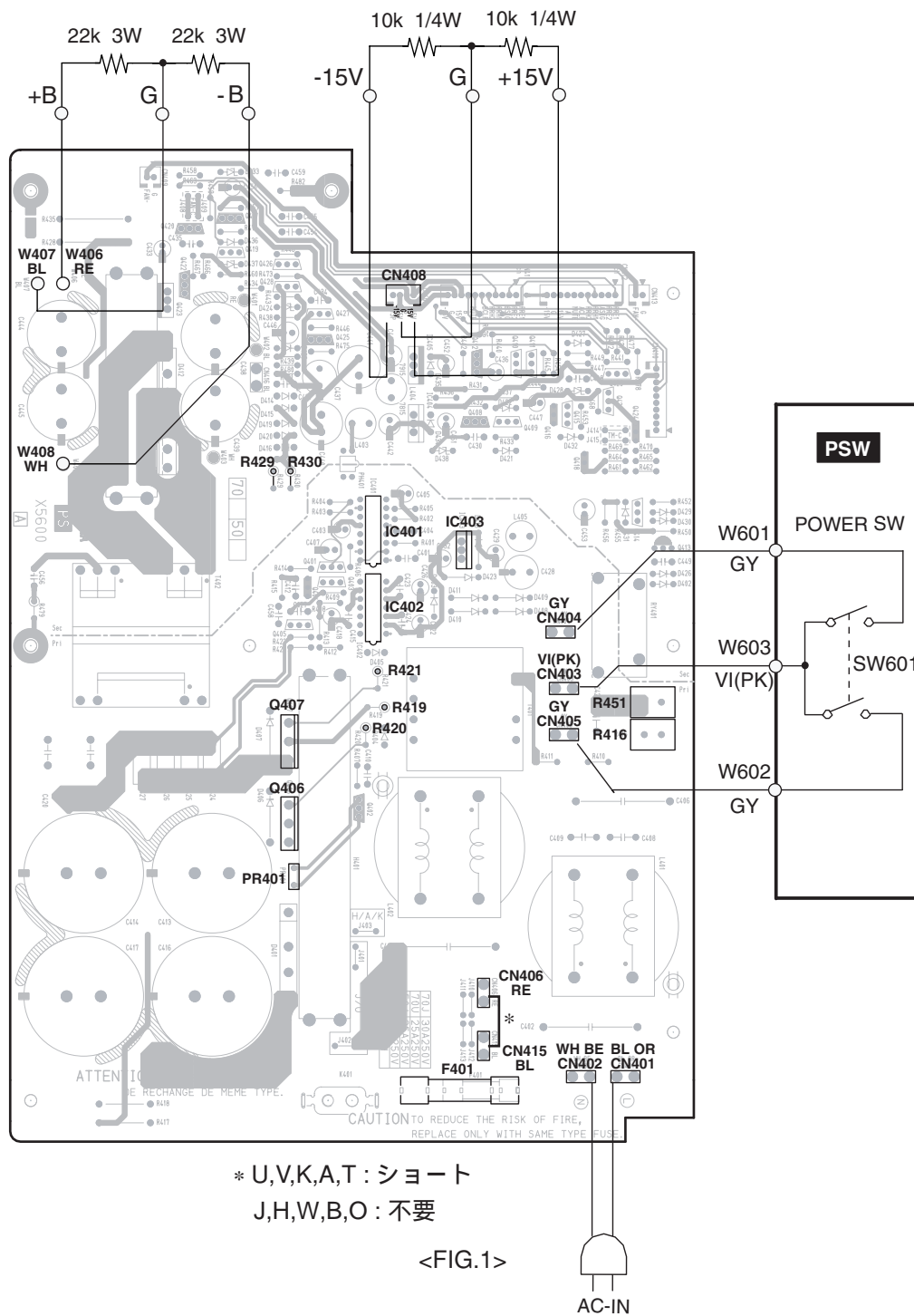
- ① R416,R451(6.8 5 W)の抵抗値
オープンしていれば交換して下さい。
- ② Q406,Q407 C-E 間の抵抗値
ショートまたは、抵抗値が低下(数 程度)していれば、その部品を外してください。
その場合、IC402 が壊れていますので交換してください。
- ③ R420、R421 の抵抗値
10 の抵抗値であるか確認してください。
オープンまたは、抵抗値が増大していれば外して下さい。
- ④ R419 の抵抗値
4.7 の抵抗値であるか確認してください。
オープンまたは、抵抗値が増大していれば外して下さい。
- ⑤ R429,R430 の抵抗値
オープンまたは、抵抗値が増大していれば、その部品を外して下さい。
- ⑥ F401 の確認
F401 の抵抗値(断線等)を確認してください。⑦ の試験が終わるまで取付けないでください。
- ⑦ IC402 の発振波形
交流電圧を確認してください。

【注意】測定機器のアース・3 芯電源コードのアースは、接続しないで下さい。

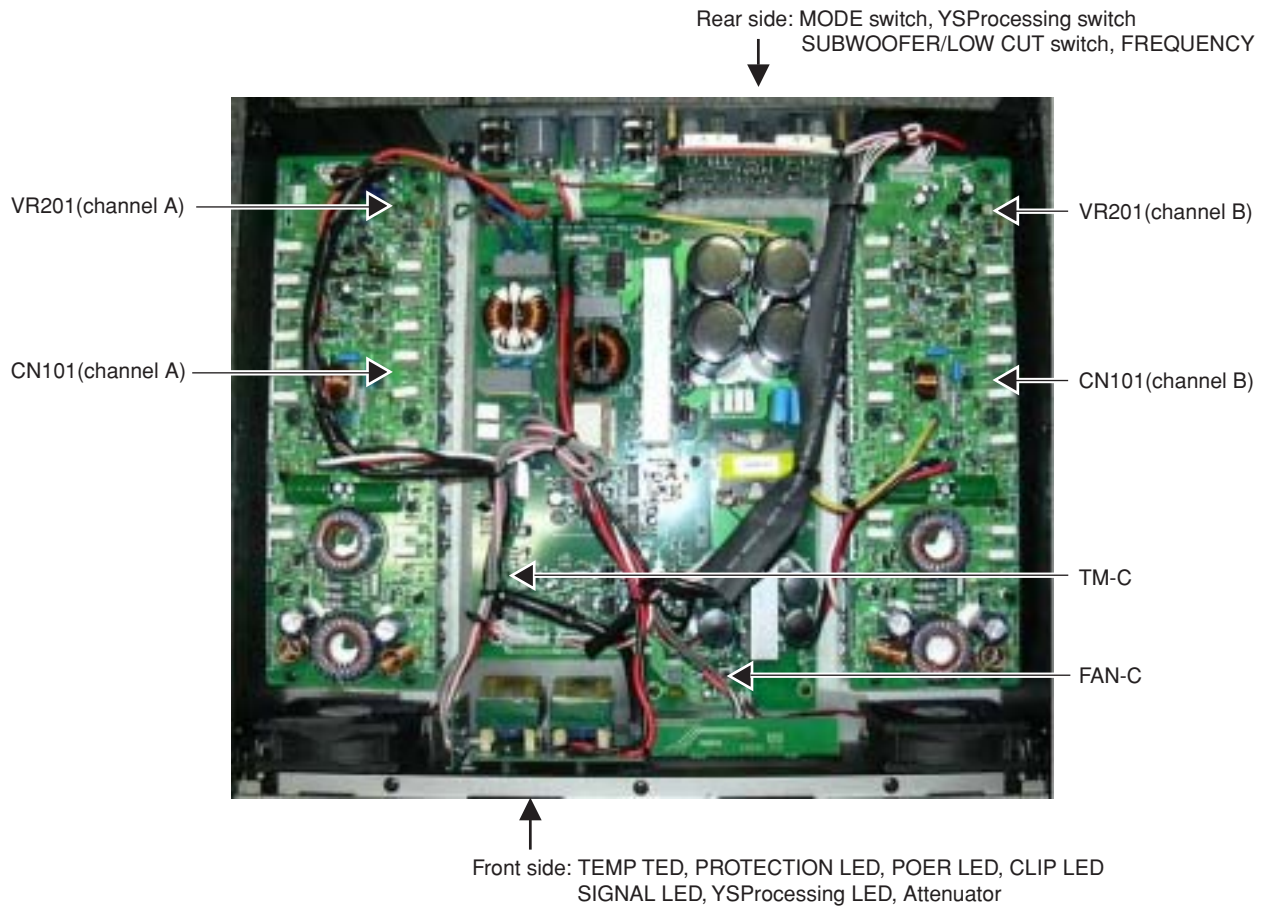
接続した状態で波形を観測すると部品が破壊する恐れがあります。

- ① ~ ⑦ の作業が終了後、IC402 の 1 番ピン(LO)と 2 番ピン(COM)間の波形をオシロスコープで観測します。約 70KHz の矩形波(0-15V)であれば問題ありません。
波形異常の場合は、IC403(3 端子レギュレーター)の出力が、+15V であることを確認して下さい。
+15V 以下の場合、IC402 を交換し再度波形を観測します。
(既に②でIC402を交換している場合は、IC401を交換して下さい)
波形を観測する時は、PR401をショートして観測して下さい。
- ⑧ ① ~ ⑦ で外した部品を、正常な部品と取りかえて組付けて下さい。
- ⑨ 「6-2. 正常動作時電氣的性能」を確認し問題なければ、修理完了です。

・接続図/チェック部品



・スイッチ及び調整箇所



7. 出荷時のセッティング

アッテネーター	: MIN
モードスイッチ	: STEREO
SUBWOOFER/LOW CUT スイッチ	: OFF
YS Processing スイッチ	: ON
FREQUENCY	: 25Hz

POWER AMPLIFIER

P 5000S/P 7000S

PARTS LIST

■ CONTENTS (目次)

OVERALL ASSEMBLY (総組立)	2
PAUNIT (PAユニット)	5
ELECTRICAL PARTS (電気部品)	7

Note) DESTINATION ABBREVIATIONS

A: Australian model	O: Chinese model
B: British model	Q: South-east Asia model
C: Canadian model	T: Taiwan model
D: German model	U: U.S.A. model
E: European model	V: General export model (110V)
F: French model	W: General export model (220V)
H: North European model	N,X: General export model
I: Indonesian model	Y: Export model
J: Japanese model	K: Korean model
M: South African model	

■ WARNING

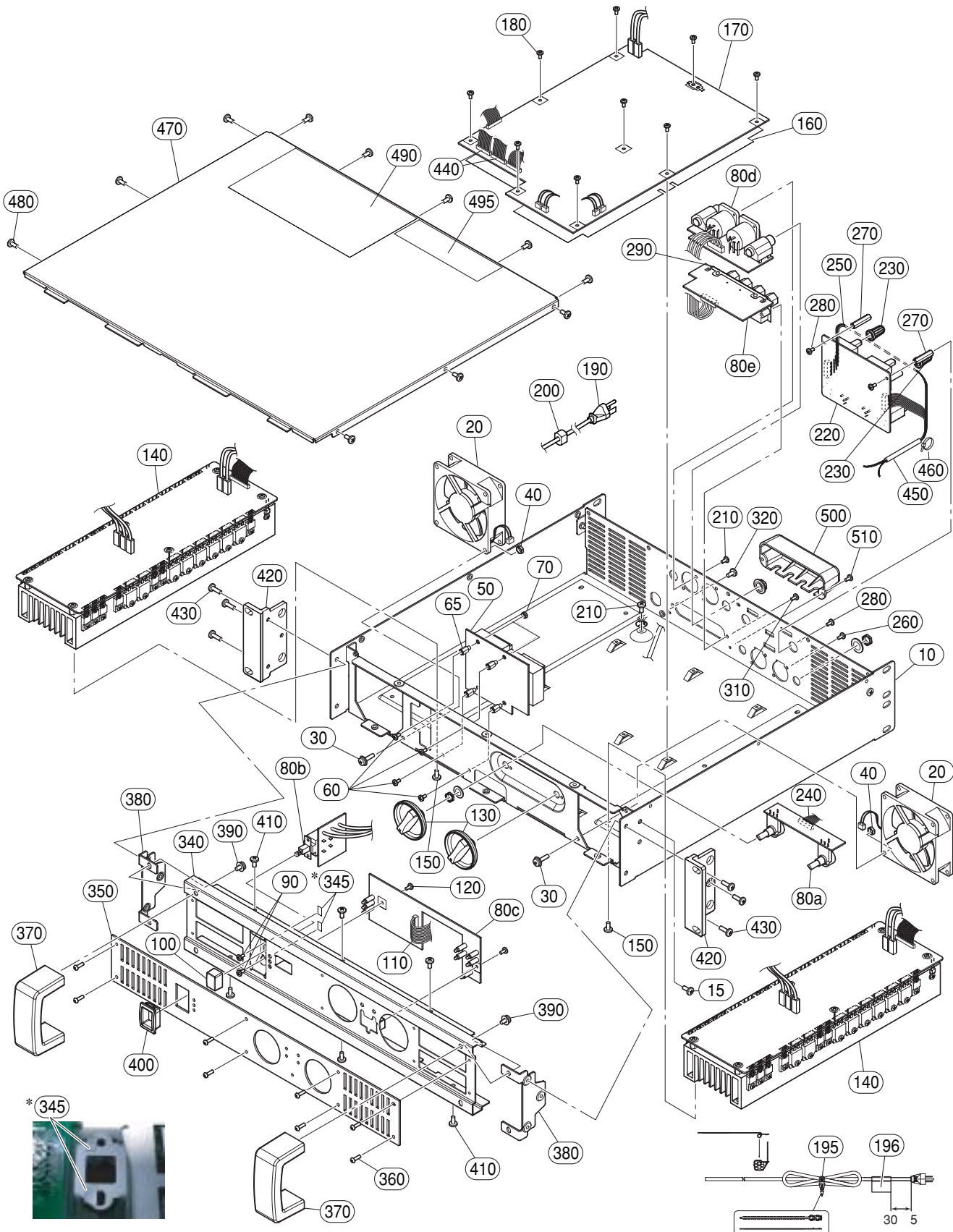
Components having special characteristics are marked \triangle and must be replaced with parts having specifications equal to those originally installed.

\triangle 印の部品は、安全を維持するために重要な部品です。交換をする場合は、安全のため必ず指定の部品をご使用下さい。

- The numbers in "QTY" shows quantities for each unit.
- The parts with "--" in "Part No." are not available as spare parts.
- The second letter of the shaded () part number is I, not one.
- The second letter of the shaded () part number is O, not zero.
- QTY 欄に記載されている数字は、各ユニット当たりの使用個数です。
- 部品 NO. が "--" の部品は、サービス用部品として準備されておりません。
- 網掛けの付いた PARTS NO. の 2 番目の文字は「イチ」ではなく「アイ」です。
- 網掛けの付いた PARTS NO. の 2 番目の文字は「ゼロ」ではなく「オー」です。

OVERALL ASSEMBLY (総組立)

* 80d and 80e are soldered with board-in-connectors.
 (80dと80eはボードインコネクタでハンダ接続されています)



REF NO.	PART NO.	DESCRIPTION		部 品 名	REMARKS	QTY	RANK
		OVERALL ASSEMBLY		総組立	P5000S_A/P7000S_A		
	--	Overall Assembly	P5000S_A J	総組立	P5000S_A J (WD48630)		
	--	Overall Assembly	P5000S_A U	総組立	P5000S_A U,V (WD48640)		
	--	Overall Assembly	P5000S_A H	総組立	P5000S_A H,W (WD48650)		
	--	Overall Assembly	P5000S_A B	総組立	P5000S_A B (WD48660)		
	--	Overall Assembly	P5000S_A A	総組立	P5000S_A A (WD48670)		
	--	Overall Assembly	P5000S_A K	総組立	P5000S_A K (WD48680)		
	--	Overall Assembly	P5000S_A T	総組立	P5000S_A T (WD48690)		
	--	Overall Assembly	P5000S_A CHN	総組立	P5000S_A O (WD48700)		
	--	Overall Assembly	P7000S_A J	総組立	P7000S_A J (WD48550)		
	--	Overall Assembly	P7000S_A U	総組立	P7000S_A U,V (WD48560)		
	--	Overall Assembly	P7000S_A H	総組立	P7000S_A H,W (WD48570)		
	--	Overall Assembly	P7000S_A B	総組立	P7000S_A B (WD48580)		
	--	Overall Assembly	P7000S_A A	総組立	P7000S_A A (WD48590)		
	--	Overall Assembly	P7000S_A K	総組立	P7000S_A K (WD48600)		
	--	Overall Assembly	P7000S_A T	総組立	P7000S_A T (WD48610)		
	--	Overall Assembly	P7000S_A CHN	総組立	P7000S_A O (WD48620)		
10	--	Main Chassis	P7000S_A PRINTED	メインシャーシ印刷			
15	EG340190	Bind Head Tapping Screw-B	4.0X8 MFZN2BL	+ バインド B タイ		4	01
20	WA968500	Fan	RDH8025S2	D C ファン		2	06
30	VB764900	Bind Head Screw	SP 4.0X16 MFZN2Y	+ バインド小ネジ		4	01
40	03760280	Hexagonal Nut	#1 4.0 MFZN2BL	六角ナット		4	01
50	WD354900	Circuit Board	COIL P7000S_A J	シート COIL	J (X4945A0)		
50	WD355000	Circuit Board	COIL P7000S_A H	シート COIL	H,W,B,O (X4945A0)		
60	EP630210	Bind Head Tapping Screw-S	3.0X6 MFZN2BL	+ バインド S タイ	J,H,W,B,O	4	01
65	WD490000	Spacer	H=7.5 B=5.5	六角スペーサー	J,H,W,B,O	4	
70	03760280	Hexagonal Nut	#1 4.0 MFZN2BL	六角ナット	J,H,W,B,O	4	01
80	WD353900	Circuit Board	SUB70 P7000S_A	シート SUB70	(X3895B0)		
80a	--	Circuit Board	SUB70 VR	シート V R	(WD35390)(WD35460)		
80b	--	Circuit Board	SUB70 PSW	シート P S W	(WD35390)(WD35470)		
80c	--	Circuit Board	SUB70 LED	シート L E D	(WD35390)(WD35480)		
80d	--	Circuit Board	SUB70 OUT1	シート O U T 1	(WD35390)(WD35430)		
80e	--	Circuit Board	SUB70 OUT2	シート O U T 2	(WD35390)(WD35430)		
90	EP630210	Bind Head Tapping Screw-S	3.0X6 MFZN2BL	+ バインド S タイ		2	01
100	WD345600	Power Switch Knob	MG32/14FX A	P S W ノブ	ON/OFF		
110	--	Connector Assembly	C&C 10P 200L	束線 # 2 8	(WD35940)		
120	EP630210	Bind Head Tapping Screw-S	3.0X6 MFZN2BL	+ バインド S タイ		2	01
130	WD490700	Attenuation Knob	P7000S_A PRINTED	アッテネーターノブ	ATT A,B	2	
140	WD490500	PA Unit	P5000S_A J	P A ユニット	P5000S_A	2	
140	WD490400	PA Unit	P7000S_A J	P A ユニット	P7000S_A	2	
150	EG340190	Bind Head Tapping Screw-B	4.0X8 MFZN2BL	+ バインド B タイ		12	01
160	WD491800	Insulation Sheet	PPE E56107	絶縁シート			
170	WD352300	Circuit Board	PS50 P5000S_A J	シート P S 5 0	P5000S_A (X5600A0)		
170	WD352400	Circuit Board	PS50 P5000S_A U	シート P S 5 0	P5000S_A U,V,T (X5600A0)		
170	WD352500	Circuit Board	PS50 P5000S_A H	シート P S 5 0	P5000S_A H,W,B,O (X5600A0)		
170	WD352600	Circuit Board	PS50 P5000S_A A	シート P S 5 0	P5000S_A A (X5600A0)		
170	WD352700	Circuit Board	PS50 P5000S_A K	シート P S 5 0	P5000S_A K (X5600A0)		
170	WD351800	Circuit Board	PS70 P7000S_A J	シート P S 7 0	P7000S_A J (X5600A0)		
170	WD351900	Circuit Board	PS70 P7000S_A U	シート P S 7 0	P7000S_A U,V,T (X5600A0)		
170	WD352000	Circuit Board	PS70 P7000S_A H	シート P S 7 0	P7000S_A H,W,B,O (X5600A0)		
170	WD352100	Circuit Board	PS70 P7000S_A A	シート P S 7 0	P7000S_A (X5600A0)		
170	WD352200	Circuit Board	PS70 P7000S_A K	シート P S 7 0	P7000S_A K (X5600A0)		
180	EP630210	Bind Head Tapping Screw-S	3.0X6 MFZN2BL	+ バインド S タイ		9	01
190	V9842200	AC Cord	J VCTF 2.0X3	電源コード	J		08
190	WC183200	AC Cord	UC SJT 3X#18 10A	電源コード	J,U,V,T		07
190	WC183300	AC Cord	H H05VV-F0.75X316A	電源コード	H,W,A,K		05
190	WC183500	AC Cord	BS H05VV-F 13A	電源コード	B		08
190	WD030800	AC Cord	CHN 10A 250V 2.5M	電源コード	O		
195	--	Cord Strap	CS-180	コードストラップ	(V366280)		01
196	--	Label	J	注意ラベル J 電源コード用	J (WB12860)		
200	VV103100	Cord Strain Relief	SR-6P1	コードストッパー			01
210	VP156800	Bind Head Screw	A4.0X8 MFZN2BL	+ バインド小ネジ		2	01
220	WD355200	Circuit Board	IN P7000S_A	シート I N			
230	V9665200	Knob, VR	WHITE/M-GRAY	ノブ V R		2	01
240	--	Connector Assembly	ATT	束線 A T T	(WD35960)		
250	--	Connector Assembly	SIG	束線 S I G	(WD35970)		
260	VQ049800	Bonding Tapping Screw-B	3.0X10 MFZN2BL	ボンディング B タイ		4	01
270	WD490100	Spacer	H=24.5 B=5.5	六角スペーサー		2	
280	EP630210	Bind Head Tapping Screw-S	3.0X6 MFZN2BL	+ バインド S タイ		4	01
290	WD494300	GND Film	P7000S_A	アースフィルム			

* : New parts (新規部品)

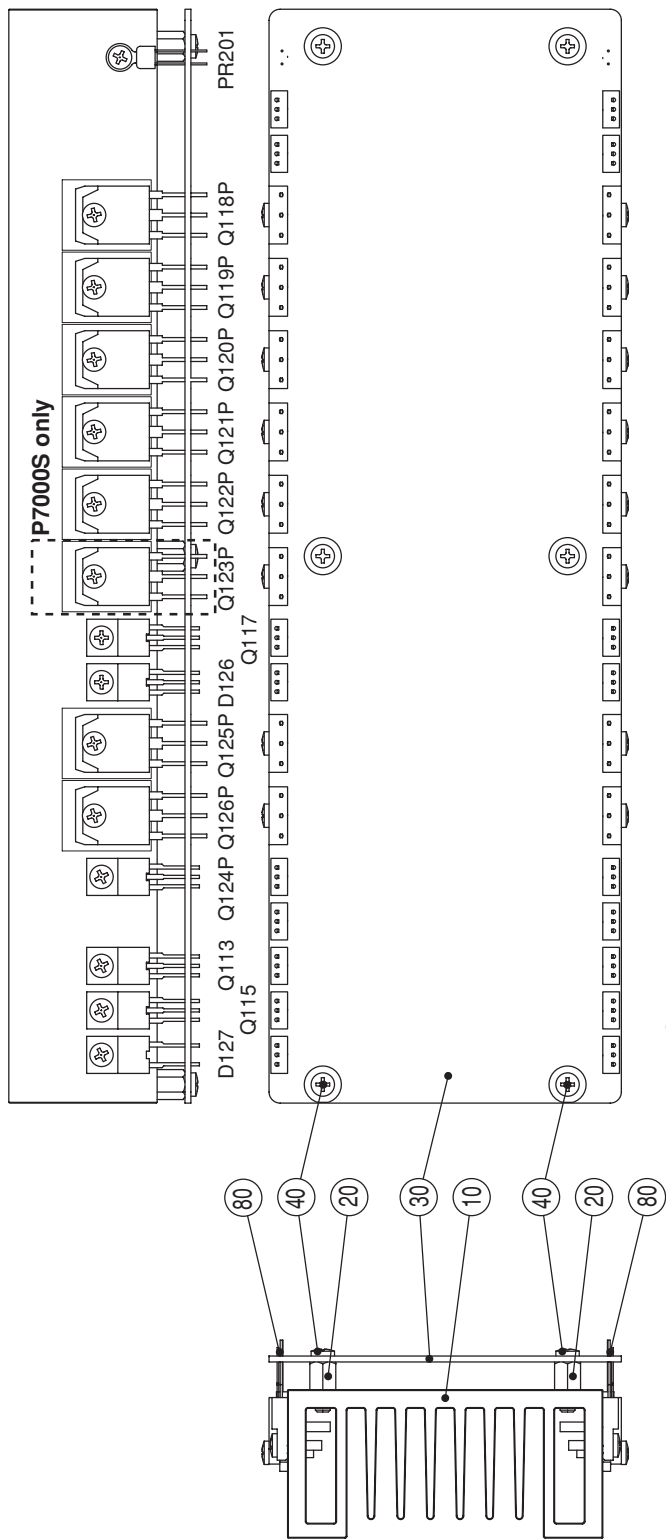
RANK : Japan only

REF NO.	PART NO.	DESCRIPTION	部 品 名	REMARKS	QTY	RANK
310	VQ049800	Bonding Tapping Screw-B	3.0X10 MFZN2BL	ボンディング B タイ		2 01
320	EP600790	Flat Head Tapping Screw-B	3.0X8 MFZN2BL	+ 皿 B タイ		4 01
* 340	WD491100	Front Panel 1	P5000S_A PRINTED	フロントパネル 1 印刷	P5000S_A	
* 340	WD491000	Front Panel 1	P7000S_A PRINTED	フロントパネル 1 印刷	P7000S_A	
345	--	Adhesive tape		粘 着 テ ー プ	(2276490)	
* 350	WD491400	Front Panel 2	P7000S_A PRINTED	フロントパネル 2 印刷		
* 360	WD345200	Hex Socket Tapping Screw-S	3.0X10 MFZN2BL	六角穴付き S タイ		8
* 370	WD491600	Handle 2U	PAINTED ADC12	ハンドル 2 U 塗装		2
* 380	WD491700	Angle, Handle	P7000S_A	ハンドルアングル		2
390	VU688000	Bind Head Screw	SP 5.0X16 MFZN2BL	+ バインド小ネジ		4 01
* 400	WD345700	Escutcheon, Power Switch	MG32/14FX_A	P S W エスカッション		
410	EG340190	Bind Head Tapping Screw-B	4.0X8 MFZN2BL	+ バインド B タイ		6 01
* 420	WD492100	Rack Angle	P7000S_A PAINTED	ラックアングル 塗装		2
430	VA221600	Bind Head Screw	4.0X10 MFZN2BL	+ バインド小ネジ		6 01
440	--	Connector Assembly	C&C 11P 450L	束 線 # 2 8	(WD35950)	2
450	--	Tube	BLACK 18.0	スミューブ クロ	(CH00440)	
460	V3272800	Cord Holder	T18R	インシュロックタイ		14
* 470	WD492300	Top Cover	P7000S_A PAINTED	トップカバー 塗装		
480	EG340190	Bind Head Tapping Screw-B	4.0X8 MFZN2BL	+ バインド B タイ		11 01
490	--	Label	P5000S-J	ラ ベ ル	P5000S_A J (WD48920)	
490	--	Label	P5000S-U	ラ ベ ル	P5000S_A U,V (WD48930)	
490	--	Label	P5000S-HB	ラ ベ ル	P5000S_A H,W,B (WD48940)	
490	--	Label	P5000S-A	ラ ベ ル	P5000S_A A (WD48950)	
490	--	Label	P5000S-K	ラ ベ ル	P5000S_A K (WD48960)	
490	--	Label	P5000S-T	ラ ベ ル	P5000S_A T (WD48970)	
490	--	Label	P5000S-CHN	ラ ベ ル	P5000S_A O (WD48980)	
490	--	Label	P7000S-J	ラ ベ ル	PS7000S_A J (WD48850)	
490	--	Label	P7000S-U	ラ ベ ル	PS7000S_A U,V (WD48860)	
490	--	Label	P7000S-HB	ラ ベ ル	PS7000S_A H,W,B (WD48870)	
490	--	Label	P7000S-A	ラ ベ ル	PS7000S_A A (WD48880)	
490	--	Label	P7000S-K	ラ ベ ル	PS7000S_A K (WD48890)	
490	--	Label	P7000S-T	ラ ベ ル	PS7000S_A T (WD48900)	
490	--	Label	P7000S-CHN	ラ ベ ル	PS7000S_A O (WD48910)	
495	--	Label	FCC	ラ ベ ル F C C	U,V (WD47830)	
* 500	WD494500	Cover, Speaker Terminal	P7000S_A PRINTED	S P ターミナルカバー		
510	EP630210	Bind Head Tapping Screw-S	3.0X6 MFZN2BL	+ バインド S タイ		2 01
* 10	WD494200	ACCESSORIES Security Cover Assembly	P7000S_A	付 属 品 S / C A s s ' y	P5000S_A/P7000S_A	
20	--	Security Cover	P7000S_A	セキュリティカバー	(WD49410)	
20	--	Allen Wrench	2mm 16x50 BE ZINC	六 角 レ ン チ	(WD49390)	

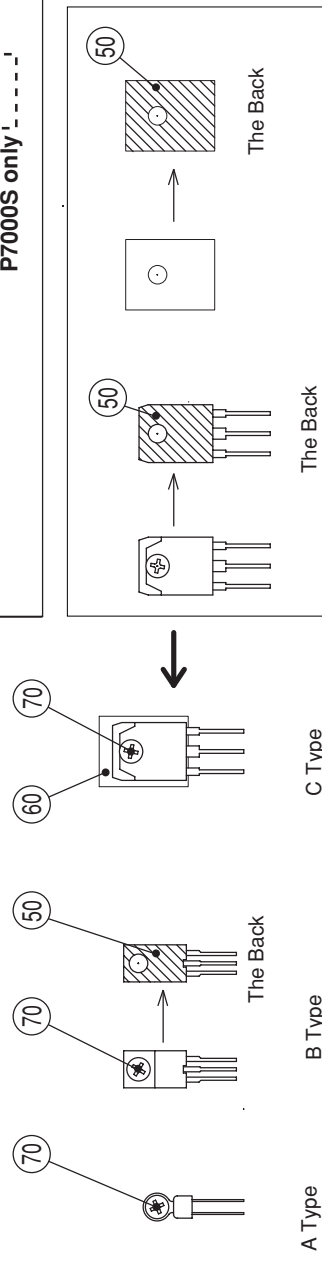
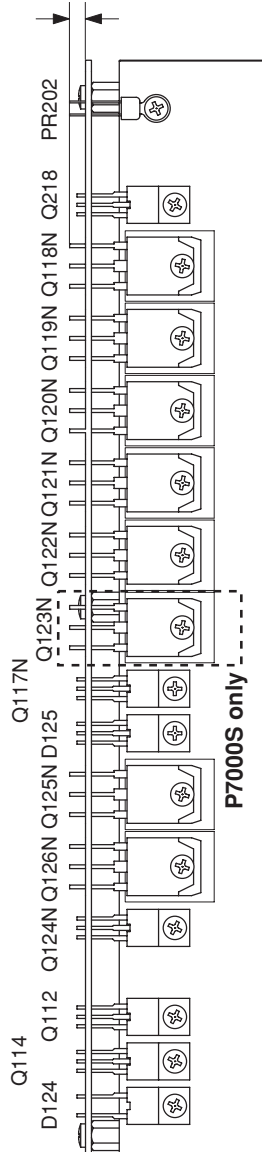
* : New parts (新規部品)

RANK : Japan only

■ PA UNIT (PA ユニット)



Read : MAX. 3.0mm



Note:
 1. Quantity A type, B type and C type: Refer to a parts list.
 2. There is not any burrs and convex wound in fitting of each types area.

REF NO.	PART NO.	DESCRIPTION	部 品 名	REMARKS	QTY	RANK
*	WD490500	PA UNIT	P A ユ ニ ッ ト	P5000S_A/P7000S_A		
*		PA Unit	P A ユ ニ ッ ト	P5000S_A		
*	WD490400	PA Unit	P A ユ ニ ッ ト	P7000S_A		
10	--	Heat Sink	ヒ ー ト シ ン ク	(WD49030)		
20	WD490000	Spacer	6 角 ス ペ ー サ ー		6	
30	WD351600	Circuit Board	シ ー ト P A H 5 0	P5000S_A (X3850B0)		
30	WD351400	Circuit Board	シ ー ト P A H 7 0	P7000S_A (X3850B0)		
40	EP630210	Bind Head Tapping Screw-S	+ バ イ ン ド S タ イ ト		6	01
50	--	Grease	シ リ コ ン グ リ ス	(VA79810)		
60	WB448600	Insulation Sheet	放 熱 シ ー ト		14	01
70	VB763800	Bind Head Screw	+ バ イ ン ド 小 ネ ジ		29	01
D124	V6351700	Diode	ダ イ オ ー ド			06
D125	V4816400	Diode	ダ イ オ ー ド ス タ ッ ク			03
D126	V4816400	Diode	ダ イ オ ー ド ス タ ッ ク			03
D127	V6351700	Diode	ダ イ オ ー ド			06
PR201	VL965100	Positive Thermistor	ボ ジ ス タ			04
PR202	VL964800	Positive Thermistor	ボ ジ ス タ			04
Q112	V8093500	FET	F E T			04
-115	V8093500	FET	F E T			04
Q218	VQ547300	Transistor	ト ラ ン ジ ス タ			03
Q117N	VQ547300	Transistor	ト ラ ン ジ ス タ			03
Q117P	VQ547200	Transistor	ト ラ ン ジ ス タ			03
Q118N	V8094900	Pair Transistor	ベ ア ト ラ ン ジ ス タ			05
Q118P	V8094900	Pair Transistor	ベ ア ト ラ ン ジ ス タ			05
Q119N	V8094900	Pair Transistor	ベ ア ト ラ ン ジ ス タ			05
Q119P	V8094900	Pair Transistor	ベ ア ト ラ ン ジ ス タ			05
Q120N	V8094900	Pair Transistor	ベ ア ト ラ ン ジ ス タ			05
Q120P	V8094900	Pair Transistor	ベ ア ト ラ ン ジ ス タ			05
Q121N	V8094900	Pair Transistor	ベ ア ト ラ ン ジ ス タ			05
Q121P	V8094900	Pair Transistor	ベ ア ト ラ ン ジ ス タ			05
Q122N	V8094900	Pair Transistor	ベ ア ト ラ ン ジ ス タ			05
Q122P	V8094900	Pair Transistor	ベ ア ト ラ ン ジ ス タ			05
Q123N	V8094900	Pair Transistor	ベ ア ト ラ ン ジ ス タ	P7000S_A		05
Q123P	V8094900	Pair Transistor	ベ ア ト ラ ン ジ ス タ	P7000S_A		05
Q124N	VQ547300	Transistor	ト ラ ン ジ ス タ			03
Q124P	VQ547200	Transistor	ト ラ ン ジ ス タ			03
Q125N	V8094900	Pair Transistor	ベ ア ト ラ ン ジ ス タ			05
Q125P	V8094900	Pair Transistor	ベ ア ト ラ ン ジ ス タ			05
Q126N	V8094900	Pair Transistor	ベ ア ト ラ ン ジ ス タ			05
Q126P	V8094900	Pair Transistor	ベ ア ト ラ ン ジ ス タ			05

* : New parts (新規部品)

RANK : Japan only

REF NO.	PART NO.	DESCRIPTION	部 品 名	REMARKS	QTY	RANK
R317	RD356100	Carbon Resistor (chip)	1.0K 63M J	チ ッ プ 抵 抗		01
R318	RF356910	Carbon Resistor (chip)	9.1K D 1608	チ ッ プ 抵 抗		01
R319	RD356100	Carbon Resistor (chip)	1.0K 63M J	チ ッ プ 抵 抗		01
R320	RF356910	Carbon Resistor (chip)	9.1K D 1608	チ ッ プ 抵 抗		01
R321	RF356620	Carbon Resistor (chip)	6.2K D 1608	チ ッ プ 抵 抗		01
R322	RF356620	Carbon Resistor (chip)	6.2K D 1608	チ ッ プ 抵 抗		01
R323	RF357100	Carbon Resistor (chip)	10.0K D 1608	チ ッ プ 抵 抗		01
R324	RF357100	Carbon Resistor (chip)	10.0K D 1608	チ ッ プ 抵 抗		01
R325	RD356100	Carbon Resistor (chip)	1.0K 63M J	チ ッ プ 抵 抗		01
R326	RD356100	Carbon Resistor (chip)	1.0K 63M J	チ ッ プ 抵 抗		01
R327	RD356510	Carbon Resistor (chip)	5.1K 63M J	チ ッ プ 抵 抗		01
R328	RF356390	Carbon Resistor (chip)	3.9K D 1608	チ ッ プ 抵 抗		01
R329	RF357100	Carbon Resistor (chip)	10.0K D 1608	チ ッ プ 抵 抗		01
R330	RF357100	Carbon Resistor (chip)	10.0K D 1608	チ ッ プ 抵 抗		01
R331	RF357820	Carbon Resistor (chip)	82.0K D 1608	チ ッ プ 抵 抗		01
R332	RD354180	Carbon Resistor (chip)	18.0 63M J	チ ッ プ 抵 抗		01
R333	RD354180	Carbon Resistor (chip)	18.0 63M J	チ ッ プ 抵 抗		01
R334	RF357100	Carbon Resistor (chip)	10.0K D 1608	チ ッ プ 抵 抗		01
R335	RF357100	Carbon Resistor (chip)	10.0K D 1608	チ ッ プ 抵 抗		01
* R336	HB029100	Metal Film Resistor	1.0M 1/4 F	金 属 被 膜 抵 抗		01
* R337	HB029100	Metal Film Resistor	1.0M 1/4 F	金 属 被 膜 抵 抗		01
R338	RF357180	Carbon Resistor (chip)	18.0K D 1608	チ ッ プ 抵 抗		01
R339	RF357180	Carbon Resistor (chip)	18.0K D 1608	チ ッ プ 抵 抗		01
R340	RD354180	Carbon Resistor (chip)	18.0 63M J	チ ッ プ 抵 抗		01
R341	RD356100	Carbon Resistor (chip)	1.0K 63M J	チ ッ プ 抵 抗		01
R342	RD356100	Carbon Resistor (chip)	1.0K 63M J	チ ッ プ 抵 抗		01
R343	RF356390	Carbon Resistor (chip)	3.9K D 1608	チ ッ プ 抵 抗		01
R344	RF357820	Carbon Resistor (chip)	82.0K D 1608	チ ッ プ 抵 抗		01
* R345	HB029100	Metal Film Resistor	1.0M 1/4 F	金 属 被 膜 抵 抗		01
* R346	HB029100	Metal Film Resistor	1.0M 1/4 F	金 属 被 膜 抵 抗		01
R347	RF357180	Carbon Resistor (chip)	18.0K D 1608	チ ッ プ 抵 抗		01
R348	RF357180	Carbon Resistor (chip)	18.0K D 1608	チ ッ プ 抵 抗		01
R349	RD356100	Carbon Resistor (chip)	1.0K 63M J	チ ッ プ 抵 抗		01
R350	RD356100	Carbon Resistor (chip)	1.0K 63M J	チ ッ プ 抵 抗		01
R351	RD354180	Carbon Resistor (chip)	18.0 63M J	チ ッ プ 抵 抗		01
-353	RD354180	Carbon Resistor (chip)	18.0 63M J	チ ッ プ 抵 抗		01
SW301	V2802500	Slide Switch	SS001-P223BDB-PA14	ス ラ イ ド S W 2 - 3	STEREO/BRIEGE/PARALELL	03
SW302	WA025500	Slide Switch	SS001-P242BPC-PA14	ス ラ イ ド S W	YS PROCESSING ON/OFF	03
SW303	V2802500	Slide Switch	SS001-P223BDB-PA14	ス ラ イ ド S W 2 - 3	OFF/SUBWOOFER/LOWCUT Ach	03
SW304	V2802500	Slide Switch	SS001-P223BDB-PA14	ス ラ イ ド S W 2 - 3	OFF/SUBWOOFER/LOWCUT Bch	03
VR301	V9791300	Rotary Variable Resistor	C 100.0K XV012313	2 連 ロ ー タ リ ー V R	FREQUENCY Ach	04
VR302	V9791300	Rotary Variable Resistor	C 100.0K XV012313	2 連 ロ ー タ リ ー V R	FREQUENCY Bch	04
W301	--	Connector Assembly	B&B	束 線 B & B	(WD35980)	
* *	WD352300	Circuit Board	PS50 P5000S_A J	シ ー ト P S 5 0	P5000S_A J (X5600A0)	
* *	WD352400	Circuit Board	PS50 P5000S_A U	シ ー ト P S 5 0	P5000S_A U,V,T (X5600A0)	
* *	WD352500	Circuit Board	PS50 P5000S_A H	シ ー ト P S 5 0	P5000S_A H,W,B,O (X5600A0)	
* *	WD352600	Circuit Board	PS50 P5000S_A A	シ ー ト P S 5 0	P5000S_A A (X5600A0)	
* *	WD352700	Circuit Board	PS50 P5000S_A K	シ ー ト P S 5 0	P5000S_A K (X5600A0)	
130	--	Grease	X-113A G746	シ リ コ ン グ リ ス	(VA79810)	
200	WB448600	Insulation Sheet	RSI T=0.07	放 熱 シ ー ト		01
210	WA772200	Fuse Holder	WL-211	ヒ ュ ー ズ ホ ル ダ	J,U,V,T	
210	VU801500	Fuse Holder	WL-210A	ヒ ュ ー ズ ホ ル ダ	H,W,B,O,A,K	01
220	EG330380	Bind Head Screw	3.0X10 MFZN2BL	+ バ イ ン ド 小 ネ ジ		01
C401	WA615400	Mylar Capacitor	0.1000 63V J ST	マ イ ラ ー コ ン		
C402	WB116000	Capacitor	1.000 275V U.C.S	規 格 認 定 コ ン		
C403	WA862800	Electrolytic Cap.	10.00 35.0V	ケ ミ コ ン		
C404	UA652470	Mylar Capacitor	470P 50V J	マ イ ラ ー コ ン		01
C405	WA862800	Electrolytic Cap.	10.00 35.0V	ケ ミ コ ン		
C406	WB116000	Capacitor	1.000 275V U.C.S	規 格 認 定 コ ン		
C407	V9726400	Electrolytic Cap.	100.00 16.0V	ケ ミ コ ン		01
C408	V6185400	Capacitor	3300P 400V J.U.C.S	規 格 認 定 コ ン		01
C408	WD090900	Capacitor	3300P 250V J.U.C.S	規 格 認 定 コ ン		
C409	V6185400	Capacitor	3300P 400V J.U.C.S	規 格 認 定 コ ン		01
C409	WD090900	Capacitor	3300P 250V J.U.C.S	規 格 認 定 コ ン		
C410	UA652470	Mylar Capacitor	470P 50V J	マ イ ラ ー コ ン		01
C411	WB116000	Capacitor	1.000 275V U.C.S	規 格 認 定 コ ン		
C412	FG651220	Ceramic Capacitor-SL	22P 50V J	セ ラ コ ン (S L)		01

* : New parts (新規部品)

RANK : Japan only

REF. NO.	PART NO.	DESCRIPTION	部 品 名	REMARKS	QTY	RANK
C413	V8499100	Electrolytic Cap.	2200 200V	ケ ミ コ ン	J,H,W,B,O,A,K	09
C413	WB543200	Electrolytic Cap.	2800 200V	ケ ミ コ ン	U,V,T	
C414	V8499100	Electrolytic Cap.	2200 200V	ケ ミ コ ン	J,H,W,B,O,A,K	09
C414	WB543200	Electrolytic Cap.	2800 200V	ケ ミ コ ン	U,V,T	
C415	FG644100	Electrolytic Cap.	0.0100 50V Z	セ ラ コ ン (F)		01
C416	WB543200	Electrolytic Cap.	2800 200V	ケ ミ コ ン	U,V,T	
C416	V8499100	Electrolytic Cap.	2200 200V	ケ ミ コ ン	J,H,W,B,O,A,K	09
C417	WB543200	Electrolytic Cap.	2800 200V	ケ ミ コ ン	U,V,T	
C417	V8499100	Electrolytic Cap.	2200 200V	ケ ミ コ ン	J,H,W,B,O,A,K	09
C418	WA862800	Electrolytic Cap.	10.00 35.0V	ケ ミ コ ン		
C420	WB543800	Polypropylene Capacitor	0.4700 400V J	P P コ ン	J	
C420	WB544400	Polypropylene Capacitor	0.3900 400V J	P P コ ン	U,V,T	
C420	WB544300	Polypropylene Capacitor	0.4300 400V J	P P コ ン	H,W,B,O,A,K	
C422	WA862800	Electrolytic Cap.	10.00 35.0V	ケ ミ コ ン		
C423	WA615400	Mylar Capacitor	0.1000 63V J ST	マ イ ラ - コ ン		
C424	FG644100	Electrolytic Cap.	0.0100 50V Z	セ ラ コ ン (F)		01
C425	V6113500	Capacitor	1000P 400V J.U.C.S	規 格 認 定 コ ン		
C425	V6146500	Capacitor	1000P 250V J.U.C.S	規 格 認 定 コ ン K H		
C426	V9726500	Electrolytic Cap.	10.00 25.0V	ケ ミ コ ン		01
C427	FG651220	Ceramic Capacitor-SL	22P 50V J	セ ラ コ ン (S L)		01
C428	V9728100	Electrolytic Cap.	470.00 35.0V	ケ ミ コ ン		01
C429	WA862800	Electrolytic Cap.	10.00 35.0V	ケ ミ コ ン		
C430	FG613100	Ceramic Capacitor-B	1000P 50V K	セ ラ コ ン (B)		01
C431	WA615400	Mylar Capacitor	0.1000 63V J ST	マ イ ラ - コ ン		
C432	WA862800	Electrolytic Cap.	10.00 35.0V	ケ ミ コ ン		
C433	V9727600	Electrolytic Cap.	4.7 50.0V	ケ ミ コ ン		01
C434	WA615400	Mylar Capacitor	0.1000 63V J ST	マ イ ラ - コ ン		
C435	FG644100	Electrolytic Cap.	0.0100 50V Z	セ ラ コ ン (F)		01
C436	V9726600	Electrolytic Cap.	47.00 25.0V	ケ ミ コ ン		01
C437	WC015200	Electrolytic Cap.	330.00 50.0V	ケ ミ コ ン		
C438	V8740200	Electrolytic Cap.	560.00 200.0V	ケ ミ コ ン G U		06
C439	V8740200	Electrolytic Cap.	560.00 200.0V	ケ ミ コ ン G U		06
C440	V8500200	Electrolytic Cap.	470 50.0V	ケ ミ コ ン P W		03
C441	V8500200	Electrolytic Cap.	470 50.0V	ケ ミ コ ン P W		03
C442	V9728000	Electrolytic Cap.	47.00 50.0V	ケ ミ コ ン		01
C443	V9728000	Electrolytic Cap.	47.00 50.0V	ケ ミ コ ン		01
C444	V8740200	Electrolytic Cap.	560.00 200.0V	ケ ミ コ ン G U		06
C445	V8740200	Electrolytic Cap.	560.00 200.0V	ケ ミ コ ン G U		06
C446	V9728000	Electrolytic Cap.	47.00 50.0V	ケ ミ コ ン		01
C447	V9727700	Electrolytic Cap.	10.00 50.0V	ケ ミ コ ン		
C448	FG644100	Electrolytic Cap.	0.0100 50V Z	セ ラ コ ン (F)		01
C449	FG651220	Ceramic Capacitor-SL	22P 50V J	セ ラ コ ン (S L)		01
C450	V9727500	Electrolytic Cap.	1.00 50.0V	ケ ミ コ ン		01
C451	V9727700	Electrolytic Cap.	10.00 50.0V	ケ ミ コ ン		
C452	V9727700	Electrolytic Cap.	10.00 50.0V	ケ ミ コ ン		
C453	V9726300	Electrolytic Cap.	470.00 10.0V	ケ ミ コ ン		
C454	WA615700	Mylar Capacitor	0.4700 63V J ST	マ イ ラ - コ ン		
C455	WA615700	Mylar Capacitor	0.4700 63V J ST	マ イ ラ - コ ン		
C456	FG644100	Electrolytic Cap.	0.0100 50V Z	セ ラ コ ン (F)		01
C457	WB543800	Polypropylene Capacitor	0.4700 400V J	P P コ ン	J	
C457	WB544400	Polypropylene Capacitor	0.3900 400V J	P P コ ン	U,V,A,T	
C457	WB544300	Polypropylene Capacitor	0.4300 400V J	P P コ ン	H,W,B,K,O	
C458	FG612100	Ceramic Cap.-B	100P 50V K	セ ラ コ ン B		01
C459	WA615700	Mylar Capacitor	CL23B-63V-474J	マ イ ラ - コ ン		
CN401	WA767700	Fasten Terminal	16611BL-2	フ ァ ス ト ン 端 子		
CN405	WA767700	Fasten Terminal	16611BL-2	フ ァ ス ト ン 端 子		
CN406	WA767700	Fasten Terminal	16611BL-2	フ ァ ス ト ン 端 子	J,H,W,B,O	
CN408	VB390000	Connector Base Post	PH- 4P TE	コ ネ ク タ ベ ー ス ポ ス ト		01
CN409	VB389800	Connector Base Post	PH- 2P TE	コ ネ ク タ ベ ー ス ポ ス ト		01
CN410	VB390600	Connector Base Post	PH-10P TE	コ ネ ク タ ベ ー ス ポ ス ト		01
CN411	VB390700	Connector Base Post	PH-11P TE	コ ネ ク タ ベ ー ス ポ ス ト		01
CN412	VB390700	Connector Base Post	PH-11P TE	コ ネ ク タ ベ ー ス ポ ス ト		01
CN413	VB389800	Connector Base Post	PH- 2P TE	コ ネ ク タ ベ ー ス ポ ス ト		01
CN415	WA767700	Fasten Terminal	16611BL-2	フ ァ ス ト ン 端 子	J,H,W,B,O	
CN416	WA767700	Fasten Terminal	16611BL-2	フ ァ ス ト ン 端 子		
D401	V4833600	Diode Stack	RBV2506 25.0A 600V	ダ イ オ ー ド ス タ ッ ク		04
D402	VD631600	Diode	1SS133,176,HSS104	ダ イ オ ー ド		01
D403	V8629800	Diode	AG01A WS	ダ イ オ ー ド		01
D404	WA757600	Diode	AL01Z	ダ イ オ ー ド		05
D405	WA757600	Diode	AL01Z	ダ イ オ ー ド		05

* : New parts (新規部品)

RANK : Japan only

△
△
△
△
△
△
△
△

△
△
△

△
△

REF NO.	PART NO.	DESCRIPTION	部 品 名	REMARKS	QTY	RANK
D406	V8629700	Diode	RL3ALF014-302	ダイオード		02
D407	V8629700	Diode	RL3ALF014-302	ダイオード		02
D408	WD543900	Diode	1N4004 DO-41	ダイオード		
-411	WD543900	Diode	1N4004 DO-41	ダイオード		
D412	VN399500	Diode	FMU-36S 20.0A 600V	ダイオードスタック		05
D413	V8498700	Diode	FMU-36R 20.0A 600V	ダイオードスタック		04
D414	WA757600	Diode	AL01Z	ダイオード		05
-417	WA757600	Diode	AL01Z	ダイオード		05
D418	WD543900	Diode	1N4004 DO-41	ダイオード		
D419	WA757600	Diode	AL01Z	ダイオード		05
D420	WA757600	Diode	AL01Z	ダイオード		05
D421	VD631600	Diode	1SS133,176,HSS104	ダイオード		01
D422	VD631600	Diode	1SS133,176,HSS104	ダイオード		01
D423	WD543900	Diode	1N4004 DO-41	ダイオード		
D424	VG440800	Zener Diode	MTZ J 15.0B 15.0V	ツェナーダイオード		01
D425	VD631600	Diode	1SS133,176,HSS104	ダイオード		01
-427	VD631600	Diode	1SS133,176,HSS104	ダイオード		01
D428	VG437700	Zener Diode	MTZ J 5.6B 5.6V	ツェナーダイオード		01
D429	VD631600	Diode	1SS133,176,HSS104	ダイオード		01
-432	VD631600	Diode	1SS133,176,HSS104	ダイオード		01
D433	VG440800	Zener Diode	MTZ J 15.0B 15.0V	ツェナーダイオード		01
D434	VJ657300	Diode	AK03 V0	ダイオード		01
D435	VJ657300	Diode	AK03 V0	ダイオード		01
D436	VD631600	Diode	1SS133,176,HSS104	ダイオード		01
D437	VG440200	Zener Diode	MTZ J 12.0B 12.0V	ツェナーダイオード		01
D438	VG438300	Zener Diode	MTZ J 6.8B 6.8V	ツェナーダイオード		01
F401	V8932000	Fuse	25.00A JU	ヒューズ	J	03
F401	V8932100	Fuse	20.00A JU	ヒューズ	U,V,T	03
F401	V5413700	Fuse	TH10.00A IEC	ヒューズ	H,W,B,A,K,O	01
H401	--	Heat Sink	OSV1545-L100-BPM	ヒートシンク	(WB12260)	
H401	--	Heat Sink	#HS-P2-75-L100-1V	ヒートシンク	(WD01060)	
H402	--	Heat Sink	OSV1545-L65-BPM	ヒートシンク	(WB12270)	
H402	--	Heat Sink	#HS-P2-75-L65-1V	ヒートシンク	(WD01070)	
IC401	X2383A00	IC	SG3525AN	I C	Regulator	03
IC402	X2382A00	IC	IR2110	I C	High and Low Side Driver	06
IC403	XD853A00	IC	NJM7815FA	I C	Regulator +15V	03
IC404	XD853A00	IC	NJM7815FA	I C	Regulator +15V	03
IC405	XD854A00	IC	NJM7915FA	I C	Regulator -15V	03
J401	--	Jumper Wire	0.55	ジャンパー線	J,U,V,T (VD04170)	
J402	--	Jumper Wire	0.55	ジャンパー線	J,U,V,T (VD04170)	
J403	--	Jumper Wire	0.55	ジャンパー線	H,W,B,A,K,O (VD04170)	
J408	--	Jumper Wire	0.55	ジャンパー線	(VD04170)	
J409	--	Jumper Wire	0.55	ジャンパー線	(VD04170)	
J410	--	Jumper Wire	0.55	ジャンパー線	U,V,A,K,T (VD04170)	
-413	--	Jumper Wire	0.55	ジャンパー線	U,V,A,K,T (VD04170)	
J414	--	Jumper Wire	0.55	ジャンパー線	(VD04170)	
J415	--	Jumper Wire	0.55	ジャンパー線	(VD04170)	
K401	WC533400	Plate, GND	MLA8	プレート GND		
L401	V8740400	Coil	SC-15-10JH	コイル		
L402	V9708500	Coil	FY10502MREZ	コイル 5ミリ		10
L403	VR929200	Coil	LH L 08TB100K	コイル 10UH		01
-405	VR929200	Coil	LH L 08TB100K	コイル 10UH		01
PH401	V8100500	Photo Coupler	TLP421 GR	フォトカプラ		01
PR401	VM850600	Positive Thermistor	PTFM04BD222Q2N34B0	ポジスタ		04
Q401	V2797700	Transistor	2SC5395 E,F	トランジスタ		01
Q402	V2797600	Transistor	2SA1993 E,F	トランジスタ		01
Q403	VV911900	Digital Transistor	DTC114ESA-TP	デジタルトランジスタ		01
Q404	VD678500	Digital Transistor	DTA114ES	デジタルトランジスタ		01
Q405	VV911900	Digital Transistor	DTC114ESA-TP	デジタルトランジスタ		01
Q406	V8629500	Insulated Gate Bipolar Tra	IRG4PC50U	I G B T		08
Q407	V8629500	Insulated Gate Bipolar Tra	IRG4PC50U	I G B T		08
Q408	V2797600	Transistor	2SA1993 E,F	トランジスタ		01
Q409	V2797700	Transistor	2SC5395 E,F	トランジスタ		01
-411	V2797700	Transistor	2SC5395 E,F	トランジスタ		01
Q412	V2797600	Transistor	2SA1993 E,F	トランジスタ		01
Q413	VI242900	Transistor	2SA1020-Y(TPE6) Y	トランジスタ		01
Q414	V2797700	Transistor	2SC5395 E,F	トランジスタ		01
Q415	V2797700	Transistor	2SC5395 E,F	トランジスタ		01
Q416	VD678500	Digital Transistor	DTA114ES	デジタルトランジスタ		01
Q417	V2797600	Transistor	2SA1993 E,F	トランジスタ		01

* : New parts (新規部品)

RANK : Japan only

REF. NO.	PART NO.	DESCRIPTION	部 品 名	REMARKS	QTY	RANK
Q418	VD678500	Digital Transistor	DTA114ES	デジタルトランジスタ		01
Q419	V2797700	Transistor	2SC5395 E,F	トランジスタ		01
Q420	V2797600	Transistor	2SA1993 E,F	トランジスタ		01
Q421	V2797700	Transistor	2SC5395 E,F	トランジスタ		01
Q422	V2797600	Transistor	2SA1993 E,F	トランジスタ		01
Q423	VQ547200	Transistor	2SA1837 (HFE)	トランジスタ		03
Q424	VD678500	Digital Transistor	DTA114ES	デジタルトランジスタ		01
Q425	V2797600	Transistor	2SA1993 E,F	トランジスタ		01
Q426	V2797700	Transistor	2SC5395 E,F	トランジスタ		01
-429	V2797700	Transistor	2SC5395 E,F	トランジスタ		01
R401	HF457100	Carbon Resistor	10.0K 1/4 J	カーボン抵抗		01
R402	HB027200	Metal Film Resistor	20.0K 1/4 F	金属被膜抵抗		01
R403	HF455560	Carbon Resistor	560.0 1/4 J	カーボン抵抗		01
R404	HF455560	Carbon Resistor	560.0 1/4 J	カーボン抵抗		01
R405	HF455330	Carbon Resistor	330.0 1/4 J	カーボン抵抗		01
R406	HF457240	Carbon Resistor	24.0K 1/4 J	カーボン抵抗		01
R407	HF458120	Carbon Resistor	120.0K 1/4 J	カーボン抵抗		01
R408	HF457220	Carbon Resistor	22.0K 1/4 J	カーボン抵抗		01
R409	HF456470	Carbon Resistor	4.7K 1/4 J	カーボン抵抗		01
△ R410	HF458220	Carbon Resistor	220.0K 1/4 J	カーボン抵抗		01
△ R411	HF458220	Carbon Resistor	220.0K 1/4 J	カーボン抵抗		01
R412	HF457100	Carbon Resistor	10.0K 1/4 J	カーボン抵抗		01
R413	HF457100	Carbon Resistor	10.0K 1/4 J	カーボン抵抗		01
R414	HF456470	Carbon Resistor	4.7K 1/4 J	カーボン抵抗		01
R415	HF457220	Carbon Resistor	22.0K 1/4 J	カーボン抵抗		01
△ R416	VN067400	Wire Wound Resistor	6.8 5W K	セメント抵抗		03
R417	VC766300	Metal Oxide Film Resistor	100.0K 2W J	酸化金属被膜抵抗		01
R418	VC766300	Metal Oxide Film Resistor	100.0K 2W J	酸化金属被膜抵抗		01
R419	HV753470	Flame Proof C. Resistor	4.7 1/4 J	不燃化カーボン抵抗		01
R420	HV754100	Flame Proof C. Resistor	10.0 1/4 J	不燃化カーボン抵抗		01
R421	HV754100	Flame Proof C. Resistor	10.0 1/4 J	不燃化カーボン抵抗		01
R422	HF456330	Carbon Resistor	3.3K 1/4 J	カーボン抵抗		01
R423	HF456470	Carbon Resistor	4.7K 1/4 J	カーボン抵抗		01
R424	VZ370200	Wire Wound Resistor	0.1 5W K	セメント抵抗		01
-427	VZ370200	Wire Wound Resistor	0.1 5W K	セメント抵抗		01
* R428	WD407200	Metal Oxide Film Resistor	10.0K 3W J	酸化金属被膜抵抗		01
R429	HV753220	Flame Proof C. Resistor	2.2 1/4 J	不燃化カーボン抵抗		01
R430	HV753220	Flame Proof C. Resistor	2.2 1/4 J	不燃化カーボン抵抗		01
R431	HF457100	Carbon Resistor	10.0K 1/4 J	カーボン抵抗		01
R432	HF457220	Carbon Resistor	22.0K 1/4 J	カーボン抵抗		01
R433	HF457470	Carbon Resistor	47.0K 1/4 J	カーボン抵抗		01
R434	HF458220	Carbon Resistor	220.0K 1/4 J	カーボン抵抗		01
* R435	WD407200	Metal Oxide Film Resistor	10.0K 3W J	酸化金属被膜抵抗		01
R436	HF457560	Carbon Resistor	56.0K 1/4 J	カーボン抵抗		01
R437	HF458150	Carbon Resistor	150.0K 1/4 J	カーボン抵抗		01
R438	HF457680	Carbon Resistor	68.0K 1/4 J	カーボン抵抗		01
R439	HF457150	Carbon Resistor	15.0K 1/4 J	カーボン抵抗		01
R440	HF457100	Carbon Resistor	10.0K 1/4 J	カーボン抵抗		01
R441	HF456120	Carbon Resistor	1.2K 1/4 J	カーボン抵抗		01
R442	HF457100	Carbon Resistor	10.0K 1/4 J	カーボン抵抗		01
R443	HF458100	Carbon Resistor	100.0K 1/4 J	カーボン抵抗		01
R444	HF457470	Carbon Resistor	47.0K 1/4 J	カーボン抵抗		01
R445	HF457470	Carbon Resistor	47.0K 1/4 J	カーボン抵抗		01
R446	HF458220	Carbon Resistor	220.0K 1/4 J	カーボン抵抗		01
R447	HF457680	Carbon Resistor	68.0K 1/4 J	カーボン抵抗		01
R448	HF457560	Carbon Resistor	56.0K 1/4 J	カーボン抵抗		01
R449	HF456120	Carbon Resistor	1.2K 1/4 J	カーボン抵抗		01
R450	HF454100	Carbon Resistor	10.0 1/4 J	カーボン抵抗		01
△ R451	VN067400	Wire Wound Resistor	6.8 5W K	セメント抵抗		03
R452	HF457220	Carbon Resistor	22.0K 1/4 J	カーボン抵抗		01
R453	HF457100	Carbon Resistor	10.0K 1/4 J	カーボン抵抗		01
R454	HF457560	Carbon Resistor	56.0K 1/4 J	カーボン抵抗		01
R455	HF458100	Carbon Resistor	100.0K 1/4 J	カーボン抵抗		01
R456	HF458100	Carbon Resistor	100.0K 1/4 J	カーボン抵抗		01
R457	HF456820	Carbon Resistor	8.2K 1/4 J	カーボン抵抗		01
R458	HF455330	Carbon Resistor	330.0 1/4 J	カーボン抵抗		01
R459	HF456560	Carbon Resistor	5.6K 1/4 J	カーボン抵抗		01
R460	HF456820	Carbon Resistor	8.2K 1/4 J	カーボン抵抗		01
R461	HF456180	Carbon Resistor	1.8K 1/4 J	カーボン抵抗		01
R462	HF456180	Carbon Resistor	1.8K 1/4 J	カーボン抵抗		01

* : New parts (新規部品)

RANK : Japan only

REF NO.	PART NO.	DESCRIPTION	部 品 名	REMARKS	QTY	RANK
R463	HF455330	Carbon Resistor	330.0 1/4 J	力 - ボ ン 抵 抗		01
R464	HF456180	Carbon Resistor	1.8K 1/4 J	力 - ボ ン 抵 抗		01
R465	HF456180	Carbon Resistor	1.8K 1/4 J	力 - ボ ン 抵 抗		01
R466	HF456820	Carbon Resistor	8.2K 1/4 J	力 - ボ ン 抵 抗		01
R467	HF455220	Carbon Resistor	220.0 1/4 J	力 - ボ ン 抵 抗		01
R468	HF456680	Carbon Resistor	6.8K 1/4 J	力 - ボ ン 抵 抗		01
R469	HF456180	Carbon Resistor	1.8K 1/4 J	力 - ボ ン 抵 抗		01
R470	HF456180	Carbon Resistor	1.8K 1/4 J	力 - ボ ン 抵 抗		01
R471	HF458120	Carbon Resistor	120.0K 1/4 J	力 - ボ ン 抵 抗		01
R472	HF458120	Carbon Resistor	120.0K 1/4 J	力 - ボ ン 抵 抗		01
R473	HF458220	Carbon Resistor	220.0K 1/4 J	力 - ボ ン 抵 抗		01
R474	HF455220	Carbon Resistor	220.0 1/4 J	力 - ボ ン 抵 抗		01
R475	HF458220	Carbon Resistor	220.0K 1/4 J	力 - ボ ン 抵 抗		01
R476	HF456270	Carbon Resistor	2.7K 1/4 J	力 - ボ ン 抵 抗		01
R477	HF456270	Carbon Resistor	2.7K 1/4 J	力 - ボ ン 抵 抗		01
R478	HF456560	Carbon Resistor	5.6K 1/4 J	力 - ボ ン 抵 抗		01
R479	HV753470	Flame Proof C. Resistor	4.7 1/4 J	不 燃 化 力 - ボ ン 抵 抗		01
R480	HF457150	Carbon Resistor	15.0K 1/4 J	力 - ボ ン 抵 抗		01
R481	HF457150	Carbon Resistor	15.0K 1/4 J	力 - ボ ン 抵 抗		01
R482	HV753100	Flame Proof C. Resistor	1.0 1/4 J	不 燃 化 力 - ボ ン 抵 抗		01
RY401	V8628500	Relay	JM1AN-P-DC24V	リ レ		07
T401	X5642A00	Power Transformer	A	電 源 ト ラ ン ス	J	
T401	X5643A00	Power Transformer	UL,CSAA	電 源 ト ラ ン ス	U,V,T	
T401	X5644A00	Power Transformer	CE E	電 源 ト ラ ン ス	H,W,B,K,O	
T401	X5645A00	Power Transformer	CE E	電 源 ト ラ ン ス	A	
T402	X5639A00	Power Transformer	A	電 源 ト ラ ン ス	J	
T402	X5640A00	Power Transformer	UL CSAA	電 源 ト ラ ン ス	U,V,A,T	
T402	X5641A00	Power Transformer	CE E	電 源 ト ラ ン ス	H,W,B,K,O	
W401	--	Connector Assembly	B&C	束 線 B & C	(WD36000)	
W402	--	Connector Assembly	B&C	束 線	(WD36010)	
W403	--	Connector Assembly	B&C	束 線	(WD36020)	
W406	--	Connector Assembly	B&C	束 線	(WD36030)	
W407	--	Connector Assembly	B&C	束 線	(WD36040)	
W408	--	Connector Assembly	B&C	束 線	(WD36050)	
*	WD351800	Circuit Board	PS70 P7000S_A J	シ ー ト P S 7 0	P7000S_A J (X5600A0)	
*	WD351900	Circuit Board	PS70 P7000S_A U	シ ー ト P S 7 0	P7000S_A U,V,T (X5600A0)	
*	WD352000	Circuit Board	PS70 P7000S_A H	シ ー ト P S 7 0	P7000S_A H,W,B,O (X5600A0)	
*	WD352100	Circuit Board	PS70 P7000S_A A	シ ー ト P S 7 0	P7000S_A A (X5600A0)	
*	WD352200	Circuit Board	PS70 P7000S_A K	シ ー ト P S 7 0	P7000S_A K (X5600A0)	
130	--	Grease	X-113A G746	シ リ コ ン グ リ ス	(VA79810)	
200	WB448600	Insulation Sheet	RSI T=0.07	放 熱 シ ー ト		01
210	WA772200	Fuse Holder	WL-211	ヒ ュ ー ズ ホ ル ダ	J,U,V,T	
210	VU801500	Fuse Holder	WL-210A	ヒ ュ ー ズ ホ ル ダ	H,W,B,O,A,K	01
220	EG330380	Bind Head Screw	3.0X10 MFZN2BL	+ バ イ ン ド 小 ネ ジ		01
C401	WA615400	Mylar Capacitor	0.1000 63V J ST	マ イ ラ ー コ ン		
C402	WB116000	Capacitor	1.000 275V U.C.S	規 格 認 定 コ ン		
C403	WA862800	Electrolytic Cap.	10.00 35.0V	ケ ミ コ ン		
C404	UA652470	Mylar Capacitor	470P 50V J	マ イ ラ ー コ ン		01
C405	WA862800	Electrolytic Cap.	10.00 35.0V	ケ ミ コ ン		
C406	WB116000	Capacitor	1.000 275V U.C.S	規 格 認 定 コ ン		
C407	V9726400	Electrolytic Cap.	100.00 16.0V	ケ ミ コ ン		01
C408	V6185400	Capacitor	3300P 400V J.U.C.S	規 格 認 定 コ ン		01
C408	WD090900	Capacitor	3300P 250V J.U.C.S	規 格 認 定 コ ン		
C409	V6185400	Capacitor	3300P 400V J.U.C.S	規 格 認 定 コ ン		01
C409	WD090900	Capacitor	3300P 250V J.U.C.S	規 格 認 定 コ ン		
C410	UA652470	Mylar Capacitor	470P 50V J	マ イ ラ ー コ ン		01
C411	WB116000	Capacitor	1.000 275V U.C.S	規 格 認 定 コ ン		
C412	FG651220	Ceramic Capacitor-SL	22P 50V J	セ ラ コ ン (S L)		01
C413	WB543100	Electrolytic Cap.	3300 180V	ケ ミ コ ン	J	
C413	V8499100	Electrolytic Cap.	2200 200V	ケ ミ コ ン	U,V,T	09
C413	WB543200	Electrolytic Cap.	2800 200V	ケ ミ コ ン	H,W,B,O,A,K	
C414	WB543100	Electrolytic Cap.	3300 180V	ケ ミ コ ン	J	
C414	V8499100	Electrolytic Cap.	2200 200V	ケ ミ コ ン	U,V,T	09
C414	WB543200	Electrolytic Cap.	2800 200V	ケ ミ コ ン	H,W,B,O,A,K	
C415	FG644100	Electrolytic Cap.	0.0100 50V Z	セ ラ コ ン (F)		01
C416	WB543100	Electrolytic Cap.	3300 180V	ケ ミ コ ン	J	
C416	V8499100	Electrolytic Cap.	2200 200V	ケ ミ コ ン	U,V,T	09
C416	WB543200	Electrolytic Cap.	2800 200V	ケ ミ コ ン	H,W,B,O,A,K	
C417	WB543100	Electrolytic Cap.	3300 180V	ケ ミ コ ン	J	

* : New parts (新規部品)

RANK : Japan only

REF. NO.	PART NO.	DESCRIPTION	部 品 名	REMARKS	QTY	RANK
C417	V8499100	Electrolytic Cap.	2200 200V	ケ ミ コ ン		09
C417	WB543200	Electrolytic Cap.	2800 200V	ケ ミ コ ン	U,V,T H,W,B,O,A,K	
C418	WA862800	Electrolytic Cap.	10.00 35.0V	ケ ミ コ ン		
C420	WB543800	Polypropylene Capacitor	0.4700 400V J	P P コ ン	J	
C420	WB544400	Polypropylene Capacitor	0.3900 400V J	P P コ ン	U,V,T,A	
C420	WB544300	Polypropylene Capacitor	0.4300 400V J	P P コ ン	H,W,B,O,K	
C422	WA862800	Electrolytic Cap.	10.00 35.0V	ケ ミ コ ン		
C423	WA615400	Mylar Capacitor	0.1000 63V J ST	マ イ ラ - コ ン		
C424	FG644100	Electrolytic Cap.	0.0100 50V Z	セ ラ コ ン (F)		01
C425	V6113500	Capacitor	1000P 400V J.U.C.S	規 格 認 定 コ ン		
C425	V6146500	Capacitor	1000P 250V J.U.C.S	規 格 認 定 コ ン K H		
C426	V9726500	Electrolytic Cap.	10.00 25.0V	ケ ミ コ ン		01
C427	FG651220	Ceramic Capacitor-SL	22P 50V J	セ ラ コ ン (S L)		01
C428	V9728100	Electrolytic Cap.	470.00 35.0V	ケ ミ コ ン		01
C429	WA862800	Electrolytic Cap.	10.00 35.0V	ケ ミ コ ン		
C430	FG613100	Ceramic Capacitor-B	1000P 50V K	セ ラ コ ン (B)		01
C431	WA615400	Mylar Capacitor	0.1000 63V J ST	マ イ ラ - コ ン		
C432	WA862800	Electrolytic Cap.	10.00 35.0V	ケ ミ コ ン		
C433	V9727600	Electrolytic Cap.	4.7 50.0V	ケ ミ コ ン		01
C434	WA615400	Mylar Capacitor	0.1000 63V J ST	マ イ ラ - コ ン		
C435	FG644100	Electrolytic Cap.	0.0100 50V Z	セ ラ コ ン (F)		01
C436	V9726600	Electrolytic Cap.	47.00 25.0V	ケ ミ コ ン		01
C437	WC015200	Electrolytic Cap.	330.00 50.0V	ケ ミ コ ン		
C438	V8740200	Electrolytic Cap.	560.00 200.0V	ケ ミ コ ン G U		06
C439	V8740200	Electrolytic Cap.	560.00 200.0V	ケ ミ コ ン G U		06
C440	V8500200	Electrolytic Cap.	470 50.0V	ケ ミ コ ン P W		03
C441	V8500200	Electrolytic Cap.	470 50.0V	ケ ミ コ ン P W		03
C442	V9728000	Electrolytic Cap.	47.00 50.0V	ケ ミ コ ン		01
C443	V9728000	Electrolytic Cap.	47.00 50.0V	ケ ミ コ ン		01
C444	V8740200	Electrolytic Cap.	560.00 200.0V	ケ ミ コ ン G U		06
C445	V8740200	Electrolytic Cap.	560.00 200.0V	ケ ミ コ ン G U		06
C446	V9728000	Electrolytic Cap.	47.00 50.0V	ケ ミ コ ン		01
C447	V9727700	Electrolytic Cap.	10.00 50.0V	ケ ミ コ ン		
C448	FG644100	Electrolytic Cap.	0.0100 50V Z	セ ラ コ ン (F)		01
C449	FG651220	Ceramic Capacitor-SL	22P 50V J	セ ラ コ ン (S L)		01
C450	V9727500	Electrolytic Cap.	1.00 50.0V	ケ ミ コ ン		01
C451	V9727700	Electrolytic Cap.	10.00 50.0V	ケ ミ コ ン		
C452	V9727700	Electrolytic Cap.	10.00 50.0V	ケ ミ コ ン		
C453	V9726300	Electrolytic Cap.	470.00 10.0V	ケ ミ コ ン		
C454	WA615700	Mylar Capacitor	0.4700 63V J ST	マ イ ラ - コ ン		
C455	WA615700	Mylar Capacitor	0.4700 63V J ST	マ イ ラ - コ ン		
C456	FG644100	Electrolytic Cap.	0.0100 50V Z	セ ラ コ ン (F)		01
C457	WB543800	Polypropylene Capacitor	0.4700 400V J	P P コ ン	J	
C457	WB544400	Polypropylene Capacitor	0.3900 400V J	P P コ ン	U,V,T,A	
C457	WB544300	Polypropylene Capacitor	0.4300 400V J	P P コ ン	H,W,B,K,O	
C458	FG612100	Ceramic Cap.-B	100P 50V K	セ ラ コ ン B		01
C459	WA615700	Mylar Capacitor	CL23B-63V-474J	マ イ ラ - コ ン		
CN401	WA767700	Fasten Terminal	16611BL-2	フ ァ ス ト ン 端 子		
-405	WA767700	Fasten Terminal	16611BL-2	フ ァ ス ト ン 端 子		
CN406	WA767700	Fasten Terminal	16611BL-2	フ ァ ス ト ン 端 子	J,H,W,B,O	
CN408	VB390000	Connector Base Post	PH- 4P TE	コ ネ ク タ ベ ー ス ポ ス ト		01
CN409	VB389800	Connector Base Post	PH- 2P TE	コ ネ ク タ ベ ー ス ポ ス ト		01
CN410	VB390600	Connector Base Post	PH-10P TE	コ ネ ク タ ベ ー ス ポ ス ト		01
CN411	VB390700	Connector Base Post	PH-11P TE	コ ネ ク タ ベ ー ス ポ ス ト		01
CN412	VB390700	Connector Base Post	PH-11P TE	コ ネ ク タ ベ ー ス ポ ス ト		01
CN413	VB389800	Connector Base Post	PH- 2P TE	コ ネ ク タ ベ ー ス ポ ス ト		01
CN415	WA767700	Fasten Terminal	16611BL-2	フ ァ ス ト ン 端 子	J,H,W,B,O	
CN416	WA767700	Fasten Terminal	16611BL-2	フ ァ ス ト ン 端 子		
D401	V4833600	Diode Stack	RBV2506 25.0A 600V	ダ イ オ ー ス タ ッ ク		04
D402	VD631600	Diode	1SS133,176,HSS104	ダ イ オ ー ド		01
D403	V8629800	Diode	AG01A WS	ダ イ オ ー ド		01
D404	WA757600	Diode	AL01Z	ダ イ オ ー ド		05
D405	WA757600	Diode	AL01Z	ダ イ オ ー ド		05
D406	V8629700	Diode	RL3ALF014-302	ダ イ オ ー ド		02
D407	V8629700	Diode	RL3ALF014-302	ダ イ オ ー ド		02
D408	WD543900	Diode	1N4004 DO-41	ダ イ オ ー ド		
-411	WD543900	Diode	1N4004 DO-41	ダ イ オ ー ド		
D412	VN399500	Diode	FMU-36S 20.0A 600V	ダ イ オ ー ド ス タ ッ ク		05
D413	V8498700	Diode	FMU-36R 20.0A 600V	ダ イ オ ー ド ス タ ッ ク		04
D414	WA757600	Diode	AL01Z	ダ イ オ ー ド		05

* : New parts (新規部品)

RANK : Japan only

△
△
△

△
△
△

△
△

REF NO.	PART NO.	DESCRIPTION	部 品 名	REMARKS	QTY	RANK
-417	WA757600	Diode	AL01Z	ダイオード		05
D418	WD543900	Diode	1N4004 DO-41	ダイオード		
D419	WA757600	Diode	AL01Z	ダイオード		05
D420	WA757600	Diode	AL01Z	ダイオード		05
D421	VD631600	Diode	1SS133,176,HSS104	ダイオード		01
D422	VD631600	Diode	1SS133,176,HSS104	ダイオード		01
D423	WD543900	Diode	1N4004 DO-41	ダイオード		
D424	VG440800	Zener Diode	MTZ J 15.0B 15.0V	ツェナーダイオード		01
D425	VD631600	Diode	1SS133,176,HSS104	ダイオード		01
-427	VD631600	Diode	1SS133,176,HSS104	ダイオード		01
D428	VG437700	Zener Diode	MTZ J 5.6B 5.6V	ツェナーダイオード		01
D429	VD631600	Diode	1SS133,176,HSS104	ダイオード		01
-432	VD631600	Diode	1SS133,176,HSS104	ダイオード		01
D433	VG440800	Zener Diode	MTZ J 15.0B 15.0V	ツェナーダイオード		01
D434	VJ657300	Diode	AK03 V0	ダイオード		01
D435	VJ657300	Diode	AK03 V0	ダイオード		01
D436	VD631600	Diode	1SS133,176,HSS104	ダイオード		01
D437	VG440200	Zener Diode	MTZ J 12.0B 12.0V	ツェナーダイオード		01
D438	VG438300	Zener Diode	MTZ J 6.8B 6.8V	ツェナーダイオード		01
F401	WA864500	Fuse	30.00A JU	ヒューズ	J	
F401	V8932000	Fuse	25.00A JU	ヒューズ	U,V,T	03
F401	V5413700	Fuse	TH10.00A IEC	ヒューズ	H,W,B,A,K,O	01
H401	--	Heat Sink	OSV1545-L100-BPM	ヒートシンク	(WB12260)	
H401	--	Heat Sink	#HS-P2-75-L100-1V	ヒートシンク	(WD01060)	
H402	--	Heat Sink	OSV1545-L65-BPM	ヒートシンク	(WB12270)	
H402	--	Heat Sink	#HS-P2-75-L65-1V	ヒートシンク	(WD01070)	
IC401	X2383A00	IC	SG3525AN	レギュレーター		03
IC402	X2382A00	IC	IR2110	High and Low Side Driver		06
IC403	XD853A00	IC	NJM7815FA	レギュレーター +15V		03
IC404	XD853A00	IC	NJM7815FA	レギュレーター +15V		03
IC405	XD854A00	IC	NJM7915FA	レギュレーター -15V		03
J401	--	Jumper Wire	0.55	ジャンパー線	J,U,V,T (VD04170)	
J402	--	Jumper Wire	0.55	ジャンパー線	J,U,V,T (VD04170)	
J403	--	Jumper Wire	0.55	ジャンパー線	H,W,B,A,K,O (VD04170)	
J408	--	Jumper Wire	0.55	ジャンパー線	(VD04170)	
J409	--	Jumper Wire	0.55	ジャンパー線	(VD04170)	
J410	--	Jumper Wire	0.55	ジャンパー線	U,V,A,K,T (VD04170)	
-413	--	Jumper Wire	0.55	ジャンパー線	U,V,A,K,T (VD04170)	
J414	--	Jumper Wire	0.55	ジャンパー線	(VD04170)	
J415	--	Jumper Wire	0.55	ジャンパー線	(VD04170)	
K401	WC533400	Plate, GND	MLA8	プレート GND		
L401	V8740400	Coil	SC-15-10JH	コイル		
L402	V9708500	Coil	FY10502MREZ	コイル 5ミリ		10
L403	VR929200	Coil	LH L 08TB100K	コイル 10UH		01
-405	VR929200	Coil	LH L 08TB100K	コイル 10UH		01
PH401	V8100500	Photo Coupler	TLP421 GR	フォトカプラ		01
PR401	VM850600	Positive Thermistor	PTFM04BD222Q2N34B0	ポジスタ		04
Q401	V2797700	Transistor	2SC5395 E,F	トランジスタ		01
Q402	V2797600	Transistor	2SA1993 E,F	トランジスタ		01
Q403	VV911900	Digital Transistor	DTC114ESA-TP	デジタルトランジスタ		01
Q404	VD678500	Digital Transistor	DTA114ES	デジタルトランジスタ		01
Q405	VV911900	Digital Transistor	DTC114ESA-TP	デジタルトランジスタ		01
Q406	V8629500	Insulated Gate Bipolar Tra	IRG4PC50U	IGBT		08
Q407	V8629500	Insulated Gate Bipolar Tra	IRG4PC50U	IGBT		08
Q408	V2797600	Transistor	2SA1993 E,F	トランジスタ		01
Q409	V2797700	Transistor	2SC5395 E,F	トランジスタ		01
-411	V2797700	Transistor	2SC5395 E,F	トランジスタ		01
Q412	V2797600	Transistor	2SA1993 E,F	トランジスタ		01
Q413	VI242900	Transistor	2SA1020-Y(TPE6) Y	トランジスタ		01
Q414	V2797700	Transistor	2SC5395 E,F	トランジスタ		01
Q415	V2797700	Transistor	2SC5395 E,F	トランジスタ		01
Q416	VD678500	Digital Transistor	DTA114ES	デジタルトランジスタ		01
Q417	V2797600	Transistor	2SA1993 E,F	トランジスタ		01
Q418	VD678500	Digital Transistor	DTA114ES	デジタルトランジスタ		01
Q419	V2797700	Transistor	2SC5395 E,F	トランジスタ		01
Q420	V2797600	Transistor	2SA1993 E,F	トランジスタ		01
Q421	V2797700	Transistor	2SC5395 E,F	トランジスタ		01
Q422	V2797600	Transistor	2SA1993 E,F	トランジスタ		01
Q423	VQ547200	Transistor	2SA1837 (HFE)	トランジスタ		03
Q424	VD678500	Digital Transistor	DTA114ES	デジタルトランジスタ		01

* : New parts (新規部品)

RANK : Japan only

REF. NO.	PART NO.	DESCRIPTION	部 品 名	REMARKS	QTY	RANK
Q425	V2797600	Transistor	ト ラ ン ジ ス タ			01
Q426	V2797700	Transistor	ト ラ ン ジ ス タ			01
-429	V2797700	Transistor	ト ラ ン ジ ス タ			01
R401	HF457100	Carbon Resistor	カ ー ボ ン 抵 抗			01
R402	HB027200	Metal Film Resistor	金 属 被 膜 抵 抗			01
R403	HF455560	Carbon Resistor	カ ー ボ ン 抵 抗			01
R404	HF455560	Carbon Resistor	カ ー ボ ン 抵 抗			01
R405	HF455330	Carbon Resistor	カ ー ボ ン 抵 抗			01
R406	HF457240	Carbon Resistor	カ ー ボ ン 抵 抗			01
R407	HF458120	Carbon Resistor	カ ー ボ ン 抵 抗			01
R408	HF457220	Carbon Resistor	カ ー ボ ン 抵 抗			01
R409	HF456470	Carbon Resistor	カ ー ボ ン 抵 抗			01
R410	HF458220	Carbon Resistor	カ ー ボ ン 抵 抗			01
R411	HF458220	Carbon Resistor	カ ー ボ ン 抵 抗			01
R412	HF457100	Carbon Resistor	カ ー ボ ン 抵 抗			01
R413	HF457100	Carbon Resistor	カ ー ボ ン 抵 抗			01
R414	HF456470	Carbon Resistor	カ ー ボ ン 抵 抗			01
R415	HF457220	Carbon Resistor	カ ー ボ ン 抵 抗			01
R416	VN067400	Wire Wound Resistor	セ メ ン ト 抵 抗			03
R417	VC766300	Metal Oxide Film Resistor	酸 化 金 属 被 膜 抵 抗			01
R418	VC766300	Metal Oxide Film Resistor	酸 化 金 属 被 膜 抵 抗			01
R419	HV753470	Flame Proof C. Resistor	不 燃 化 カ ー ボ ン 抵 抗			01
R420	HV754100	Flame Proof C. Resistor	不 燃 化 カ ー ボ ン 抵 抗			01
R421	HV754100	Flame Proof C. Resistor	不 燃 化 カ ー ボ ン 抵 抗			01
R422	HF456330	Carbon Resistor	カ ー ボ ン 抵 抗			01
R423	HF456470	Carbon Resistor	カ ー ボ ン 抵 抗			01
R424	VZ370200	Wire Wound Resistor	セ メ ン ト 抵 抗			01
-427	VZ370200	Wire Wound Resistor	セ メ ン ト 抵 抗			01
R428	WD407200	Metal Oxide Film Resistor	酸 化 金 属 被 膜 抵 抗			01
R429	HV753220	Flame Proof C. Resistor	不 燃 化 カ ー ボ ン 抵 抗			01
R430	HV753220	Flame Proof C. Resistor	不 燃 化 カ ー ボ ン 抵 抗			01
R431	HF457100	Carbon Resistor	カ ー ボ ン 抵 抗			01
R432	HF457220	Carbon Resistor	カ ー ボ ン 抵 抗			01
R433	HF457470	Carbon Resistor	カ ー ボ ン 抵 抗			01
R434	HF458220	Carbon Resistor	カ ー ボ ン 抵 抗			01
R435	WD407200	Metal Oxide Film Resistor	酸 化 金 属 被 膜 抵 抗			01
R436	HF457560	Carbon Resistor	カ ー ボ ン 抵 抗			01
R437	HF458150	Carbon Resistor	カ ー ボ ン 抵 抗			01
R438	HF457680	Carbon Resistor	カ ー ボ ン 抵 抗			01
R439	HF457150	Carbon Resistor	カ ー ボ ン 抵 抗			01
R440	HF457100	Carbon Resistor	カ ー ボ ン 抵 抗			01
R441	HF456120	Carbon Resistor	カ ー ボ ン 抵 抗			01
R442	HF457100	Carbon Resistor	カ ー ボ ン 抵 抗			01
R443	HF458100	Carbon Resistor	カ ー ボ ン 抵 抗			01
R444	HF457470	Carbon Resistor	カ ー ボ ン 抵 抗			01
R445	HF457470	Carbon Resistor	カ ー ボ ン 抵 抗			01
R446	HF458220	Carbon Resistor	カ ー ボ ン 抵 抗			01
R447	HF457680	Carbon Resistor	カ ー ボ ン 抵 抗			01
R448	HF457560	Carbon Resistor	カ ー ボ ン 抵 抗			01
R449	HF456120	Carbon Resistor	カ ー ボ ン 抵 抗			01
R450	HF454100	Carbon Resistor	カ ー ボ ン 抵 抗			01
R451	VN067400	Wire Wound Resistor	セ メ ン ト 抵 抗			03
R452	HF457220	Carbon Resistor	カ ー ボ ン 抵 抗			01
R453	HF457100	Carbon Resistor	カ ー ボ ン 抵 抗			01
R454	HF457560	Carbon Resistor	カ ー ボ ン 抵 抗			01
R455	HF458100	Carbon Resistor	カ ー ボ ン 抵 抗			01
R456	HF458100	Carbon Resistor	カ ー ボ ン 抵 抗			01
R457	HF456820	Carbon Resistor	カ ー ボ ン 抵 抗			01
R458	HF455330	Carbon Resistor	カ ー ボ ン 抵 抗			01
R459	HF456560	Carbon Resistor	カ ー ボ ン 抵 抗			01
R460	HF456820	Carbon Resistor	カ ー ボ ン 抵 抗			01
R461	HF456180	Carbon Resistor	カ ー ボ ン 抵 抗			01
R462	HF456180	Carbon Resistor	カ ー ボ ン 抵 抗			01
R463	HF455330	Carbon Resistor	カ ー ボ ン 抵 抗			01
R464	HF456180	Carbon Resistor	カ ー ボ ン 抵 抗			01
R465	HF456180	Carbon Resistor	カ ー ボ ン 抵 抗			01
R466	HF456820	Carbon Resistor	カ ー ボ ン 抵 抗			01
R467	HF455220	Carbon Resistor	カ ー ボ ン 抵 抗			01
R468	HF456680	Carbon Resistor	カ ー ボ ン 抵 抗			01
R469	HF456180	Carbon Resistor	カ ー ボ ン 抵 抗			01

* : New parts (新規部品)

RANK : Japan only

△
△
△
△
△
△
△
△
△
△

REF NO.	PART NO.	DESCRIPTION	部 品 名	REMARKS	QTY	RANK
R470	HF456180	Carbon Resistor	1.8K 1/4 J	カ ー ボ ン 抵 抗		01
R471	HF458120	Carbon Resistor	120.0K 1/4 J	カ ー ボ ン 抵 抗		01
R472	HF458120	Carbon Resistor	120.0K 1/4 J	カ ー ボ ン 抵 抗		01
R473	HF458220	Carbon Resistor	220.0K 1/4 J	カ ー ボ ン 抵 抗		01
R474	HF455220	Carbon Resistor	220.0 1/4 J	カ ー ボ ン 抵 抗		01
R475	HF458220	Carbon Resistor	220.0K 1/4 J	カ ー ボ ン 抵 抗		01
R476	HF456270	Carbon Resistor	2.7K 1/4 J	カ ー ボ ン 抵 抗		01
R477	HF456270	Carbon Resistor	2.7K 1/4 J	カ ー ボ ン 抵 抗		01
R478	HF456560	Carbon Resistor	5.6K 1/4 J	カ ー ボ ン 抵 抗		01
R479	HV753470	Flame Proof C. Resistor	4.7 1/4 J	不 燃 化 カ ー ボ ン 抵 抗		01
R480	HF457150	Carbon Resistor	15.0K 1/4 J	カ ー ボ ン 抵 抗		01
R481	HF457150	Carbon Resistor	15.0K 1/4 J	カ ー ボ ン 抵 抗		01
R482	HV753100	Flame Proof C. Resistor	1.0 1/4 J	不 燃 化 カ ー ボ ン 抵 抗		01
RY401	V8628500	Relay	JM1AN-P-DC24V	リ レ		07
T401	X5642A00	Power Transformer	A	電 源 ト ラ ン ス	J	
T401	X5643A00	Power Transformer	UL,CSAA	電 源 ト ラ ン ス	U,V,T	
T401	X5644A00	Power Transformer	CE E	電 源 ト ラ ン ス	H,W,B,K,O	
T401	X5645A00	Power Transformer	CE E	電 源 ト ラ ン ス	A	
T402	X5636A00	Power Transformer	A	電 源 ト ラ ン ス	J	
T402	X5637A00	Power Transformer	UL CSAA	電 源 ト ラ ン ス	U,V,T,A	
T402	X5638A00	Power Transformer	CE E	電 源 ト ラ ン ス	H,W,B,K,O	
W401	--	Connector Assembly	B&C	束 線 B & C	(WD36000)	
W402	--	Connector Assembly	B&C	束 線	(WD36010)	
W403	--	Connector Assembly	B&C	束 線	(WD36020)	
W406	--	Connector Assembly	B&C	束 線	(WD36030)	
W407	--	Connector Assembly	B&C	束 線	(WD36040)	
W408	--	Connector Assembly	B&C	束 線	(WD36050)	
* 10	WD353900	Circuit Board	SUB70 P7000S_A	シ ー ト S U B 7 0	(X3895B0)/(X3895C0)	
	--	Circuit Board	SUB70 VR	シ ー ト V R	(WD35390)/(WD35460)	
20	--	Circuit Board	SUB70 PSW	シ ー ト P S W	(WD35390)/(WD35470)	
30	--	Circuit Board	SUB70 LED	シ ー ト L E D	(WD35390)/(WD35480)	
40	--	Circuit Board	SUB70 OUT1	シ ー ト O U T 1	(WD35390)/(WD35430)	
50	--	Circuit Board	SUB70 OUT2	シ ー ト O U T 2	(WD35390)/(WD35430)	
* --	WD353900	Circuit Board	SUB70 P7000S_A	シ ー ト S U B 7 0	(X3895B0)/(X3895C0)	
	--	Circuit Board	SUB70 VR	シ ー ト V R	(WD35390)/(WD35460)	
CN602	VB858600	Connector Base Post	PH- 7P SE	コネクタベースポスト		01
VR601	VI575600	Rotary Variable Resistor	5K	ロ ー タ リ ー V R	ATT Ach	03
VR602	VI575600	Rotary Variable Resistor	5K	ロ ー タ リ ー V R	ATT Bch	03
* --	WD353900	Circuit Board	SUB70 P7000S_A	シ ー ト S U B 7 0	(X3895B0)/(X3895C0)	
	--	Circuit Board	SUB70 PSW	シ ー ト P S W	(WD35390)/(WD35470)	
SW601	VE681200	Push Switch	SDDFA3015A J.U.C.S	プ ッ シ ュ S W	ON/OFF	05
W601	--	Connector Assembly	B&C	束 線	(WD36060)	
W602	--	Connector Assembly	B&C	束 線	(WD36060)	
W603	--	Connector Assembly	B&C	束 線	(WD36070)	
* --	WD353900	Circuit Board	SUB70 P7000S_A	シ ー ト S U B 7 0	(X3895B0)/(X3895C0)	
	--	Circuit Board	SUB70 LED	シ ー ト L E D	(WD35390)/(WD35480)	
* 200	WD494800	Spacer LED	P7000S_A	ス ペ ー サ L E D		
C601	UA653220	Mylar Capacitor	2200P 50V J	マ イ ラ ー コ ン		01
C602	FG613100	Ceramic Capacitor-B	1000P 50V K	セ ラ コ ン (B)		01
C603	FG613100	Ceramic Capacitor-B	1000P 50V K	セ ラ コ ン (B)		01
C604	WA615600	Mylar Capacitor	CL23B-63V-224J	マ イ ラ ー コ ン		
-607	WA615600	Mylar Capacitor	CL23B-63V-224J	マ イ ラ ー コ ン		
C615	FG612470	Ceramic Capacitor-B	470P 50V K	セ ラ コ ン (B)		01
C616	FG612470	Ceramic Capacitor-B	470P 50V K	セ ラ コ ン (B)		01
CN601	VB390600	Connector Base Post	PH-10P TE	コネクタベースポスト		01
LD601	WA097600	LED	HFY103PJ-3-00 YEL	L E D テ	YS PROCESSING	01
LD602	V9790400	LED	HFR203PJ-3-00 RED	L E D テ	PROTECTION	01
LD603	WA097500	LED	HFG203PJ-3-00 GRN	L E D	POWER	01
LD604	V9790400	LED	HFR203PJ-3-00 RED	L E D テ	TEMP	01
LD605	V9790400	LED	HFR203PJ-3-00 RED	L E D テ	CLIP B	01
LD606	V9790400	LED	HFR203PJ-3-00 RED	L E D テ	CLIP A	01
LD607	WA097500	LED	HFG203PJ-3-00 GRN	L E D	SIGNAL B	01
LD608	WA097500	LED	HFG203PJ-3-00 GRN	L E D	SIGNAL A	01
Q601	VV911900	Digital Transistor	DTC114ESA-TP	デ ジ タ ル ト ラ ン ジ ス タ		01
-603	VV911900	Digital Transistor	DTC114ESA-TP	デ ジ タ ル ト ラ ン ジ ス タ		01
Q604	V2797700	Transistor	2SC5395 E,F	ト ラ ン ジ ス タ		01

* : New parts (新規部品)

RANK : Japan only

REF. NO.	PART NO.	DESCRIPTION		部 品 名	REMARKS	QTY	RANK
Q605	V2797700	Transistor	2SC5395 E,F	トランジスタ			01
Q606	VD678500	Digital Transistor	DTA114ES	デジタルトランジスタ			01
-609	VD678500	Digital Transistor	DTA114ES	デジタルトランジスタ			01
R601	HF456510	Carbon Resistor	5.1K 1/4 J	カーボン抵抗			01
R602	HF457150	Carbon Resistor	15.0K 1/4 J	カーボン抵抗			01
R603	HF457150	Carbon Resistor	15.0K 1/4 J	カーボン抵抗			01
R604	HF456470	Carbon Resistor	4.7K 1/4 J	カーボン抵抗			01
R605	HF456470	Carbon Resistor	4.7K 1/4 J	カーボン抵抗			01
R606	HF456180	Carbon Resistor	1.8K 1/4 J	カーボン抵抗			01
R607	HF456180	Carbon Resistor	1.8K 1/4 J	カーボン抵抗			01
R608	HF456470	Carbon Resistor	4.7K 1/4 J	カーボン抵抗			01
R609	HF456470	Carbon Resistor	4.7K 1/4 J	カーボン抵抗			01
R610	HF457100	Carbon Resistor	10.0K 1/4 J	カーボン抵抗			01
R611	HF457100	Carbon Resistor	10.0K 1/4 J	カーボン抵抗			01
R612	HF455220	Carbon Resistor	220.0 1/4 J	カーボン抵抗			01
-615	HF455220	Carbon Resistor	220.0 1/4 J	カーボン抵抗			01
R616	HF456180	Carbon Resistor	1.8K 1/4 J	カーボン抵抗			01
-623	HF456180	Carbon Resistor	1.8K 1/4 J	カーボン抵抗			01
*	WD353900	Circuit Board	SUB70 P7000S_A	シートSUB70	(X3895B0)/(X3895C0)		
	--	Circuit Board	SUB70 OUT1	シートOUT1	(WD35390)(WD35430)		
JK601	VV089300	Phone Jack	H30280072N	ホンコネクタ	SPEAKER 3 Ach		02
JK602	VV089300	Phone Jack	H30280072N	ホンコネクタ	SPEAKER 3 Bch		02
SP602	V8181700	Receptacle Connector	NL4MD-H	レセプタクル 4P	SPEAKER 2 Ach		06
SP603	V8181700	Receptacle Connector	NL4MD-H	レセプタクル 4P	SPEAKER 2 Bch		06
W607	--	Connector Assembly	OUT	束線OUT	(WD36120)		
*	WD353900	Circuit Board	SUB70 P7000S_A	シートSUB70	(X3895B0)/(X3895C0)		
	--	Circuit Board	SUB70 OUT2	シートOUT2	(WD35390)(WD35430)		
C608	WD707400	Ceramic Capacitor-B	1000P 1KV K	セラコン(B)			
-611	WD707400	Ceramic Capacitor-B	1000P 1KV K	セラコン(B)			
C612	WD707800	Ceramic Capacitor-B	2200P 1KV K	セラコン(B)			
-614	WD707800	Ceramic Capacitor-B	2200P 1KV K	セラコン(B)			
R624	HV753470	Flame Proof C. Resistor	4.7 1/4 J	不燃化カーボン抵抗			01
R625	HV753470	Flame Proof C. Resistor	4.7 1/4 J	不燃化カーボン抵抗			01
R626	HV754220	Flame Proof C. Resistor	22.0 1/4 J	不燃化カーボン抵抗			01
R627	HV753470	Flame Proof C. Resistor	4.7 1/4 J	不燃化カーボン抵抗			01
R628	HV754220	Flame Proof C. Resistor	22.0 1/4 J	不燃化カーボン抵抗			01
SP601	VZ956900	Speaker Terminal	STB-403AU 4P	スピーカ端子	SPEAKER A/B BRIDGE 1		06
W604	--	Connector Assembly	B&C	束線	(WD36080)		
W605	--	Connector Assembly	B&C	束線	(WD36010)		
W606	--	Connector Assembly	B&C	束線	(WD36090)		
*	WD351600	Circuit Board	PAH50 P5000S_A	シートPAH50	P5000S (X3850B0)		
C101	V9728500	Electrolytic Cap.	4.7 100.0V	ケミコン			01
C102	V9728500	Electrolytic Cap.	4.7 100.0V	ケミコン			01
C103	FG644100	Electrolytic Cap.	0.0100 50V Z	セラコン(F)			01
C104	FG644100	Electrolytic Cap.	0.0100 50V Z	セラコン(F)			01
C105	UA653750	Mylar Capacitor	7500P 50V J	マイラコン			01
C106	UA653220	Mylar Capacitor	2200P 50V J	マイラコン			01
C107	WD706100	Ceramic Capacitor-SL	33P 1KV J	セラコン(SL)			
C108	WD705700	Ceramic Capacitor-SL	10P 1KV J	セラコン(SL)			
C109	VV082300	Mylar Capacitor	0.1000 250V M	フィルムコン			01
C110	VV082300	Mylar Capacitor	0.1000 250V M	フィルムコン			01
C111	V9728900	Electrolytic Cap.	2.20 200.0V	ケミコン			
C112	V9728900	Electrolytic Cap.	2.20 200.0V	ケミコン			
C113	WD706500	Ceramic Capacitor-SL	100P 1KV J	セラコン(SL)			
C114	WD706500	Ceramic Capacitor-SL	100P 1KV J	セラコン(SL)			
C115	WD707800	Ceramic Capacitor-B	2200P 1KV K	セラコン(B)			
C116	WD707800	Ceramic Capacitor-B	2200P 1KV K	セラコン(B)			
C117	V5097700	Mylar Capacitor	3.3000 250V K	フィルムコン			05
C118	V5097700	Mylar Capacitor	3.3000 250V K	フィルムコン			05
C119	V9728900	Electrolytic Cap.	2.20 200.0V	ケミコン			
C120	V9728900	Electrolytic Cap.	2.20 200.0V	ケミコン			
C121	WD707800	Ceramic Capacitor-B	2200P 1KV K	セラコン(B)			
C122	WD707100	Ceramic Capacitor-SL	330P 1KV J	セラコン(SL)			
C123	WD707100	Ceramic Capacitor-SL	330P 1KV J	セラコン(SL)			
C124	WB378500	Electrolytic Cap.	100.00 200.0V	ケミコン			
C125	WB378500	Electrolytic Cap.	100.00 200.0V	ケミコン			
C126	WD707800	Ceramic Capacitor-B	2200P 1KV K	セラコン(B)			

* : New parts (新規部品)

RANK : Japan only

REF. NO.	PART NO.	DESCRIPTION	部 品 名	REMARKS	QTY	RANK
C127	V9726300	Electrolytic Cap.	470.00 10.0V	ケ ミ コ ン		
C128	V9727800	Electrolytic Cap.	22.00 50.0V	ケ ミ コ ン		
C129	US062470	Ceramic Capacitor-SL(chip)	470P 50V J	チ ッ プ セ ラ (S L)		01
C201	US064100	Ceramic Capacitor-B (chip)	0.0100 50V K	チ ッ プ セ ラ (B)		01
C202	US062100	Ceramic Capacitor-SL(chip)	100P 50V J	チ ッ プ セ ラ (S L)		01
C203	US064100	Ceramic Capacitor-B (chip)	0.0100 50V K	チ ッ プ セ ラ (B)		01
C204	US064100	Ceramic Capacitor-B (chip)	0.0100 50V K	チ ッ プ セ ラ (B)		01
C205	US061560	Ceramic Capacitor-CH(chip)	56P 50V J	チ ッ プ セ ラ (C H)		01
C206	V9726300	Electrolytic Cap.	470.00 10.0V	ケ ミ コ ン		
C207	US063100	Ceramic Capacitor-B (chip)	1000P 50V K	チ ッ プ セ ラ (B)		01
C208	US062470	Ceramic Capacitor-SL(chip)	470P 50V J	チ ッ プ セ ラ (S L)		01
C209	V9726500	Electrolytic Cap.	10.00 25.0V	ケ ミ コ ン		01
C210	US064100	Ceramic Capacitor-B (chip)	0.0100 50V K	チ ッ プ セ ラ (B)		01
C211	V9726400	Electrolytic Cap.	100.00 16.0V	ケ ミ コ ン		01
C212	UA653220	Mylar Capacitor	2200P 50V J	マ イ ラ - コ ン		01
C213	V9726400	Electrolytic Cap.	100.00 16.0V	ケ ミ コ ン		01
C214	FU451100	Mica Capacitor	10P 500V D	マ イ カ コ ン		01
C215	UA653220	Mylar Capacitor	2200P 50V J	マ イ ラ - コ ン		01
C216	V9726500	Electrolytic Cap.	10.00 25.0V	ケ ミ コ ン		01
C217	FG644100	Electrolytic Cap.	0.0100 50V Z	セ ラ コ ン (F)		01
C218	FU451220	Mica Capacitor	22P 500V J	マ イ カ コ ン		01
C219	FU451220	Mica Capacitor	22P 500V J	マ イ カ コ ン		01
C220	US061100	Ceramic Capacitor-CH(chip)	10P 50V D	チ ッ プ セ ラ (C H)		01
C221	US061100	Ceramic Capacitor-CH(chip)	10P 50V D	チ ッ プ セ ラ (C H)		01
C222	V9726500	Electrolytic Cap.	10.00 25.0V	ケ ミ コ ン		01
-224	V9726500	Electrolytic Cap.	10.00 25.0V	ケ ミ コ ン		01
CN101	VB389800	Connector Base Post	PH- 2P TE	コ ネ ク タ ベ ース ポ ス ト		01
CN102	WA767700	Fasten Terminal	16611BL-2	フ ァ ス ト ン 端 子		
-105	WA767700	Fasten Terminal	16611BL-2	フ ァ ス ト ン 端 子		
CN201	VB390700	Connector Base Post	PH-11P TE	コ ネ ク タ ベ ース ポ ス ト		01
CN202	VB389900	Connector Base Post	PH- 3P TE	コ ネ ク タ ベ ース ポ ス ト		01
D101	VD631600	Diode	1SS133,176,HSS104	ダ イ オ ー ド		01
D102	VD631600	Diode	1SS133,176,HSS104	ダ イ オ ー ド		01
D103	VG438900	Zener Diode	MTZ J 8.2B 8.2V	ツ ェ ナ ー ダ イ オ ー ド		01
D104	VQ469600	Diode	HSS82	ダ イ オ ー ド		01
D105	VQ469600	Diode	HSS82	ダ イ オ ー ド		01
D106	VG438300	Zener Diode	MTZ J 6.8B 6.8V	ツ ェ ナ ー ダ イ オ ー ド		01
D107	VD631600	Diode	1SS133,176,HSS104	ダ イ オ ー ド		01
D108	VD631600	Diode	1SS133,176,HSS104	ダ イ オ ー ド		01
D109	WB115000	Diode	AL01	ダ イ オ ー ド		
D110	VQ469600	Diode	HSS82	ダ イ オ ー ド		01
D111	VQ469600	Diode	HSS82	ダ イ オ ー ド		01
D112	WB115000	Diode	AL01	ダ イ オ ー ド		
D113	VQ469600	Diode	HSS82	ダ イ オ ー ド		01
D114	VQ469600	Diode	HSS82	ダ イ オ ー ド		01
D115	WD543900	Diode	1N4004 DO-41	ダ イ オ ー ド		
-118	WD543900	Diode	1N4004 DO-41	ダ イ オ ー ド		
D119	WA757600	Diode	AL01Z	ダ イ オ ー ド		05
-121	WA757600	Diode	AL01Z	ダ イ オ ー ド		05
D122	VJ657300	Diode	AK03 V0	ダ イ オ ー ド		01
D123	VJ657300	Diode	AK03 V0	ダ イ オ ー ド		01
D128	VQ469600	Diode	HSS82	ダ イ オ ー ド		01
D129	VQ469600	Diode	HSS82	ダ イ オ ー ド		01
D201	VT332900	Diode	1SS355 TE-17	ダ イ オ ー ド		01
D202	VT332900	Diode	1SS355 TE-17	ダ イ オ ー ド		01
D203	VD631600	Diode	1SS133,176,HSS104	ダ イ オ ー ド		01
-206	VD631600	Diode	1SS133,176,HSS104	ダ イ オ ー ド		01
D208	VQ469600	Diode	HSS82	ダ イ オ ー ド		01
D209	VQ469600	Diode	HSS82	ダ イ オ ー ド		01
D210	VG438000	Zener Diode	MTZ J 6.2B 6.2V	ツ ェ ナ ー ダ イ オ ー ド		01
D211	VG438000	Zener Diode	MTZ J 6.2B 6.2V	ツ ェ ナ ー ダ イ オ ー ド		01
D212	VQ469600	Diode	HSS82	ダ イ オ ー ド		01
D213	VQ469600	Diode	HSS82	ダ イ オ ー ド		01
D214	VG436600	Zener Diode	MTZ J 3.9B 3.9V	ツ ェ ナ ー ダ イ オ ー ド		01
IC201	X3505A00	IC	NJM2068MD-TE2	イ C	OP AMP	02
IC202	XM882A00	IC	NUM431L(T3)	イ C	Adjustable Regulator	02
* L101	WD408700	Coil	1.9U	空 芯 コ イ ル 1 . 9 U		
L102	V4668300	Coil	OH-20 100UH	コ イ ル		08
L103	V4668300	Coil	OH-20 100UH	コ イ ル		08
* L104	WD408800	Coil	1.7U	空 芯 コ イ ル 1 . 7 U		

* : New parts (新規部品)

RANK : Japan only

REF. NO.	PART NO.	DESCRIPTION	部 品 名	REMARKS	QTY	RANK
L105	WD408800	Coil	1.7U	空 芯 コ イ ル 1 . 7 U		
Q101	VR152800	Transistor	2SA1480 E,F	ト ラ ン ジ ス タ		02
Q102	VR152900	Transistor	2SC3790 E,F	ト ラ ン ジ ス タ		02
Q103	V8093400	Transistor	2SC3425	ト ラ ン ジ ス タ		03
Q104	V8093300	Transistor	2SA1924	ト ラ ン ジ ス タ		02
Q105	VU418600	Transistor	2SC3468 D,E	ト ラ ン ジ ス タ		01
Q106	VU418400	Transistor	2SA1371 D,E	ト ラ ン ジ ス タ		01
Q107	V4096000	Transistor	2SA1770 S,T	ト ラ ン ジ ス タ		03
Q108	V4096100	Transistor	2SC4614 S,T	ト ラ ン ジ ス タ		02
Q109	V4096000	Transistor	2SA1770 S,T	ト ラ ン ジ ス タ		03
Q110	VI242900	Transistor	2SA1020-Y(TPE6) Y	ト ラ ン ジ ス タ		01
Q111	VI242900	Transistor	2SA1020-Y(TPE6) Y	ト ラ ン ジ ス タ		01
Q127	VV556400	Transistor	2SC2412K Q,R,S	ト ラ ン ジ ス タ		01
Q127	WC529400	Transistor	2SCKTC3875S Y,GR	ト ラ ン ジ ス タ		
Q128	VU418600	Transistor	2SC3468 D,E	ト ラ ン ジ ス タ		01
Q129	VV556400	Transistor	2SC2412K Q,R,S	ト ラ ン ジ ス タ		01
Q129	WC529400	Transistor	2SCKTC3875S Y,GR	ト ラ ン ジ ス タ		
Q130	VU418600	Transistor	2SC3468 D,E	ト ラ ン ジ ス タ		01
-132	VU418600	Transistor	2SC3468 D,E	ト ラ ン ジ ス タ		01
Q133	V8093300	Transistor	2SA1924	ト ラ ン ジ ス タ		02
Q134	V4096100	Transistor	2SC4614 S,T	ト ラ ン ジ ス タ		02
Q201	VV556500	Transistor	2SA1037AK Q,R,S	ト ラ ン ジ ス タ		01
Q201	WC529500	Transistor	2SCKTA1504S Y,GR	ト ラ ン ジ ス タ		
Q202	VV556500	Transistor	2SA1037AK Q,R,S	ト ラ ン ジ ス タ		01
Q202	WC529500	Transistor	2SCKTA1504S Y,GR	ト ラ ン ジ ス タ		
Q203	VV556400	Transistor	2SC2412K Q,R,S	ト ラ ン ジ ス タ		01
Q203	WC529400	Transistor	2SCKTC3875S Y,GR	ト ラ ン ジ ス タ		
Q204	VV556400	Transistor	2SC2412K Q,R,S	ト ラ ン ジ ス タ		01
Q204	WC529400	Transistor	2SCKTC3875S Y,GR	ト ラ ン ジ ス タ		
Q205	WA866800	Transistor	2SC4695-TB	ト ラ ン ジ ス タ		01
Q206	VV655400	Digital Transistor	DTC114EKA TP	デ ジ タ ル ト ラ ン ジ ス タ		01
Q207	WA866800	Transistor	2SC4695-TB	ト ラ ン ジ ス タ		01
Q208	VV655000	Digital Transistor	DTA114EKA TP	デ ジ タ ル ト ラ ン ジ ス タ		01
Q209	IC1815M0	Transistor	2SC1815 Y,GR	ト ラ ン ジ ス タ		01
Q210	VU418400	Transistor	2SA1371 D,E	ト ラ ン ジ ス タ		01
Q211	VU418400	Transistor	2SA1371 D,E	ト ラ ン ジ ス タ		01
Q212	VU418600	Transistor	2SC3468 D,E	ト ラ ン ジ ス タ		01
Q213	VU418400	Transistor	2SA1371 D,E	ト ラ ン ジ ス タ		01
Q214	IC1815M0	Transistor	2SC1815 Y,GR	ト ラ ン ジ ス タ		01
Q215	V8093400	Transistor	2SC3425	ト ラ ン ジ ス タ		03
Q216	IC1815M0	Transistor	2SC1815 Y,GR	ト ラ ン ジ ス タ		01
Q217	V8093300	Transistor	2SA1924	ト ラ ン ジ ス タ		02
Q219	VR152900	Transistor	2SC3790 E,F	ト ラ ン ジ ス タ		02
Q220	VR152800	Transistor	2SA1480 E,F	ト ラ ン ジ ス タ		02
Q221	V8093300	Transistor	2SA1924	ト ラ ン ジ ス タ		02
R101	HF457120	Carbon Resistor	12.0K 1/4 J	カ - ボ ン 抵 抗		01
R102	HF457750	Carbon Resistor	75.0K 1/4 J	カ - ボ ン 抵 抗		01
R103	HF457470	Carbon Resistor	47.0K 1/4 J	カ - ボ ン 抵 抗		01
-106	HF457470	Carbon Resistor	47.0K 1/4 J	カ - ボ ン 抵 抗		01
R107	HV753470	Flame Proof C. Resistor	4.7 1/4 J	不 燃 化 カ - ボ ン 抵 抗		01
R108	HV753470	Flame Proof C. Resistor	4.7 1/4 J	不 燃 化 カ - ボ ン 抵 抗		01
R109	HF457430	Carbon Resistor	43.0K 1/4 J	カ - ボ ン 抵 抗		01
R110	HF457430	Carbon Resistor	43.0K 1/4 J	カ - ボ ン 抵 抗		01
R111	HV755680	Flame Proof C. Resistor	680.0 1/4 J	不 燃 化 カ - ボ ン 抵 抗		01
R112	HV755680	Flame Proof C. Resistor	680.0 1/4 J	不 燃 化 カ - ボ ン 抵 抗		01
R113	HV755330	Flame Proof C. Resistor	330.0 1/4 J	不 燃 化 カ - ボ ン 抵 抗		01
R114	HV755330	Flame Proof C. Resistor	330.0 1/4 J	不 燃 化 カ - ボ ン 抵 抗		01
R115	HV755220	Flame Proof C. Resistor	220.0 1/4 J	不 燃 化 カ - ボ ン 抵 抗		01
R116	HV755100	Flame Proof C. Resistor	100.0 1/4 J	不 燃 化 カ - ボ ン 抵 抗		01
R117	HV754330	Flame Proof C. Resistor	33.0 1/4 J	不 燃 化 カ - ボ ン 抵 抗		01
R118	HV754330	Flame Proof C. Resistor	33.0 1/4 J	不 燃 化 カ - ボ ン 抵 抗		01
R119	HV753470	Flame Proof C. Resistor	4.7 1/4 J	不 燃 化 カ - ボ ン 抵 抗		01
R120	HV753470	Flame Proof C. Resistor	4.7 1/4 J	不 燃 化 カ - ボ ン 抵 抗		01
R121	HV754220	Flame Proof C. Resistor	22.0 1/4 J	不 燃 化 カ - ボ ン 抵 抗		01
R122	HV754220	Flame Proof C. Resistor	22.0 1/4 J	不 燃 化 カ - ボ ン 抵 抗		01
R123	V4833200	Wire Wound Resistor	0.22 5W K	セ メ ン ト 抵 抗		01
R124	V4833200	Wire Wound Resistor	0.22 5W K	セ メ ン ト 抵 抗		01
R125	HV753470	Flame Proof C. Resistor	4.7 1/4 J	不 燃 化 カ - ボ ン 抵 抗		01
R126	HV753470	Flame Proof C. Resistor	4.7 1/4 J	不 燃 化 カ - ボ ン 抵 抗		01
R127	HV754220	Flame Proof C. Resistor	22.0 1/4 J	不 燃 化 カ - ボ ン 抵 抗		01

* : New parts (新規部品)

RANK : Japan only

REF NO.	PART NO.	DESCRIPTION	部 品 名	REMARKS	QTY	RANK
R128	HV754220	Flame Proof C. Resistor	22.0 1/4 J	不燃化カーボン抵抗		01
R129	V4833200	Wire Wound Resistor	0.22 5W K	セメント抵抗		01
R130	V4833200	Wire Wound Resistor	0.22 5W K	セメント抵抗		01
R131	HV753470	Flame Proof C. Resistor	4.7 1/4 J	不燃化カーボン抵抗		01
R132	HV753470	Flame Proof C. Resistor	4.7 1/4 J	不燃化カーボン抵抗		01
R133	HV754220	Flame Proof C. Resistor	22.0 1/4 J	不燃化カーボン抵抗		01
R134	HV754220	Flame Proof C. Resistor	22.0 1/4 J	不燃化カーボン抵抗		01
R135	V4833200	Wire Wound Resistor	0.22 5W K	セメント抵抗		01
R136	V4833200	Wire Wound Resistor	0.22 5W K	セメント抵抗		01
R137	HV753470	Flame Proof C. Resistor	4.7 1/4 J	不燃化カーボン抵抗		01
R138	HV753470	Flame Proof C. Resistor	4.7 1/4 J	不燃化カーボン抵抗		01
R139	HV754220	Flame Proof C. Resistor	22.0 1/4 J	不燃化カーボン抵抗		01
R140	HV754220	Flame Proof C. Resistor	22.0 1/4 J	不燃化カーボン抵抗		01
R141	V4833200	Wire Wound Resistor	0.22 5W K	セメント抵抗		01
R142	V4833200	Wire Wound Resistor	0.22 5W K	セメント抵抗		01
R143	HV753470	Flame Proof C. Resistor	4.7 1/4 J	不燃化カーボン抵抗		01
R144	HV753470	Flame Proof C. Resistor	4.7 1/4 J	不燃化カーボン抵抗		01
R145	HV754220	Flame Proof C. Resistor	22.0 1/4 J	不燃化カーボン抵抗		01
R146	HV754220	Flame Proof C. Resistor	22.0 1/4 J	不燃化カーボン抵抗		01
R147	V4833200	Wire Wound Resistor	0.22 5W K	セメント抵抗		01
R148	V4833200	Wire Wound Resistor	0.22 5W K	セメント抵抗		01
* R151	WD407100	Metal Oxide Film Resistor	4.7 3W J	酸化金属被膜抵抗		01
* R156	WD407100	Metal Oxide Film Resistor	4.7 3W J	酸化金属被膜抵抗		01
R157	HF456560	Carbon Resistor	5.6K 1/4 J	カーボン抵抗		01
R158	HF456560	Carbon Resistor	5.6K 1/4 J	カーボン抵抗		01
R159	HV754220	Flame Proof C. Resistor	22.0 1/4 J	不燃化カーボン抵抗		01
R160	HV756220	Flame Proof C. Resistor	2.2K 1/4 J	不燃化カーボン抵抗		01
R161	HV756220	Flame Proof C. Resistor	2.2K 1/4 J	不燃化カーボン抵抗		01
R162	HV754220	Flame Proof C. Resistor	22.0 1/4 J	不燃化カーボン抵抗		01
R163	HV755150	Flame Proof C. Resistor	150.0 1/4 J	不燃化カーボン抵抗		01
R164	HV755150	Flame Proof C. Resistor	150.0 1/4 J	不燃化カーボン抵抗		01
R165	HV753100	Flame Proof C. Resistor	1.0 1/4 J	不燃化カーボン抵抗		01
R166	HV753100	Flame Proof C. Resistor	1.0 1/4 J	不燃化カーボン抵抗		01
R167	VZ370200	Wire Wound Resistor	0.1 5W K	セメント抵抗		01
R168	HV753470	Flame Proof C. Resistor	4.7 1/4 J	不燃化カーボン抵抗		01
R169	VZ370200	Wire Wound Resistor	0.1 5W K	セメント抵抗		01
R170	HV753100	Flame Proof C. Resistor	1.0 1/4 J	不燃化カーボン抵抗		01
R171	HV753100	Flame Proof C. Resistor	1.0 1/4 J	不燃化カーボン抵抗		01
R172	VZ370200	Wire Wound Resistor	0.1 5W K	セメント抵抗		01
R173	HV753100	Flame Proof C. Resistor	1.0 1/4 J	不燃化カーボン抵抗		01
R174	VZ370200	Wire Wound Resistor	0.1 5W K	セメント抵抗		01
R175	HV753100	Flame Proof C. Resistor	1.0 1/4 J	不燃化カーボン抵抗		01
R176	HV753470	Flame Proof C. Resistor	4.7 1/4 J	不燃化カーボン抵抗		01
R177	HV754100	Flame Proof C. Resistor	10.0 1/4 J	不燃化カーボン抵抗		01
R178	HV754100	Flame Proof C. Resistor	10.0 1/4 J	不燃化カーボン抵抗		01
R179	HV755330	Flame Proof C. Resistor	330.0 1/4 J	不燃化カーボン抵抗		01
* R180	VC762900	Metal Oxide Film Resistor	3.9K 2W J	酸化金属被膜抵抗		01
R181	HV755330	Flame Proof C. Resistor	330.0 1/4 J	不燃化カーボン抵抗		01
R182	HV755100	Flame Proof C. Resistor	100.0 1/4 J	不燃化カーボン抵抗		01
* R183	VC762900	Metal Oxide Film Resistor	3.9K 2W J	酸化金属被膜抵抗		01
R184	HV754220	Flame Proof C. Resistor	22.0 1/4 J	不燃化カーボン抵抗		01
R185	HV754100	Flame Proof C. Resistor	10.0 1/4 J	不燃化カーボン抵抗		01
R186	HV755220	Flame Proof C. Resistor	220.0 1/4 J	不燃化カーボン抵抗		01
* R187	VC762900	Metal Oxide Film Resistor	3.9K 2W J	酸化金属被膜抵抗		01
R188	HV755470	Flame Proof C. Resistor	470.0 1/4 J	不燃化カーボン抵抗		01
R189	HV754220	Flame Proof C. Resistor	22.0 1/4 J	不燃化カーボン抵抗		01
R190	HV754220	Flame Proof C. Resistor	22.0 1/4 J	不燃化カーボン抵抗		01
R191	HV753470	Flame Proof C. Resistor	4.7 1/4 J	不燃化カーボン抵抗		01
R192	HV754220	Flame Proof C. Resistor	22.0 1/4 J	不燃化カーボン抵抗		01
R193	HV754220	Flame Proof C. Resistor	22.0 1/4 J	不燃化カーボン抵抗		01
R194	VP939800	Metal Oxide Film Resistor	10.0 1W J	酸化金属被膜抵抗		01
R195	VP939800	Metal Oxide Film Resistor	10.0 1W J	酸化金属被膜抵抗		01
R201	RF357180	Carbon Resistor (chip)	18.0K D 1608	チップ抵抗		01
R202	RD357100	Carbon Resistor (chip)	10.0K 63M J	チップ抵抗		01
R203	RF357180	Carbon Resistor (chip)	18.0K D 1608	チップ抵抗		01
R204	RD357120	Carbon Resistor (chip)	12.0K 63M J	チップ抵抗		01
R205	RD357120	Carbon Resistor (chip)	12.0K 63M J	チップ抵抗		01
R206	RD354750	Carbon Resistor (chip)	75.0 63M J	チップ抵抗		01
R207	RD357470	Carbon Resistor (chip)	47.0K 63M J	チップ抵抗		01
R208	RD357470	Carbon Resistor (chip)	47.0K 63M J	チップ抵抗		01

* : New parts (新規部品)

RANK : Japan only

REF. NO.	PART NO.	DESCRIPTION		部 品 名	REMARKS	QTY	RANK
R209	RD354750	Carbon Resistor (chip)	75.0 63M J	チ ッ プ 抵 抗			01
R210	RD356820	Carbon Resistor (chip)	8.2K 63M J	チ ッ プ 抵 抗			01
R211	RD355100	Carbon Resistor (chip)	100.0 63M J	チ ッ プ 抵 抗			01
R212	RD356820	Carbon Resistor (chip)	8.2K 63M J	チ ッ プ 抵 抗			01
R213	RD357270	Carbon Resistor (chip)	27.0K 63M J	チ ッ プ 抵 抗			01
R214	RD355470	Carbon Resistor (chip)	470.0 63M J	チ ッ プ 抵 抗			01
R215	RD357330	Carbon Resistor (chip)	33.0K 63M J	チ ッ プ 抵 抗			01
R216	RD355100	Carbon Resistor (chip)	100.0 63M J	チ ッ プ 抵 抗			01
R217	RD358470	Carbon Resistor (chip)	470.0K 63M J	チ ッ プ 抵 抗			01
R218	RD358470	Carbon Resistor (chip)	470.0K 63M J	チ ッ プ 抵 抗			01
R219	RD356220	Carbon Resistor (chip)	2.2K 63M J	チ ッ プ 抵 抗			01
R220	RD357220	Carbon Resistor (chip)	22.0K 63M J	チ ッ プ 抵 抗			01
R221	HF458120	Carbon Resistor	120.0K 1/4 J	力 - ボ ン 抵 抗			01
R222	HF458330	Carbon Resistor	330.0K 1/4 J	力 - ボ ン 抵 抗			01
R223	HF457220	Carbon Resistor	22.0K 1/4 J	力 - ボ ン 抵 抗			01
R224	HB025510	Metal Film Resistor	510.0 1/4 F	金 属 被 膜 抵 抗			01
R225	HF455560	Carbon Resistor	560.0 1/4 J	力 - ボ ン 抵 抗			01
R226	HF455560	Carbon Resistor	560.0 1/4 J	力 - ボ ン 抵 抗			01
R228	HF455560	Carbon Resistor	560.0 1/4 J	力 - ボ ン 抵 抗			01
R229	WB449900	Carbon Resistor	11.0K 1/2 F V	力 - ボ ン 抵 抗			01
R230	WB449900	Carbon Resistor	11.0K 1/2 F V	力 - ボ ン 抵 抗			01
R231	HF455200	Carbon Resistor	200.0 1/4 J	力 - ボ ン 抵 抗			01
R232	HF456680	Carbon Resistor	6.8K 1/4 J	力 - ボ ン 抵 抗			01
-234	HF456680	Carbon Resistor	6.8K 1/4 J	力 - ボ ン 抵 抗			01
R235	HF457750	Carbon Resistor	75.0K 1/4 J	力 - ボ ン 抵 抗			01
R236	HF457750	Carbon Resistor	75.0K 1/4 J	力 - ボ ン 抵 抗			01
R237	HF455220	Carbon Resistor	220.0 1/4 J	力 - ボ ン 抵 抗			01
R238	HF455180	Carbon Resistor	180.0 1/4 J	力 - ボ ン 抵 抗			01
R239	HF455180	Carbon Resistor	180.0 1/4 J	力 - ボ ン 抵 抗			01
R240	HV753100	Flame Proof C. Resistor	1.0 1/4 J	不 燃 化 カ ー ボ ン 抵 抗			01
R241	HV753100	Flame Proof C. Resistor	1.0 1/4 J	不 燃 化 カ ー ボ ン 抵 抗			01
R242	HF455100	Carbon Resistor	100.0 1/4 J	力 - ボ ン 抵 抗			01
R243	HF456150	Carbon Resistor	1.5K 1/4 J	力 - ボ ン 抵 抗			01
R244	HF455120	Carbon Resistor	120.0 1/4 J	力 - ボ ン 抵 抗			01
R245	HF455130	Carbon Resistor	130.0 1/4 J	力 - ボ ン 抵 抗			01
R246	HF457160	Carbon Resistor	16.0K 1/4 J	力 - ボ ン 抵 抗			01
* R247	HB028360	Metal Film Resistor	360.0K 1/4 F	金 属 被 膜 抵 抗			01
* R248	HB028360	Metal Film Resistor	360.0K 1/4 F	金 属 被 膜 抵 抗			01
R249	HB027220	Metal Film Resistor	22.0K 1/4 F	金 属 被 膜 抵 抗			01
R250	HB027220	Metal Film Resistor	22.0K 1/4 F	金 属 被 膜 抵 抗			01
* R251	HB028360	Metal Film Resistor	360.0K 1/4 F	金 属 被 膜 抵 抗			01
* R252	HB028360	Metal Film Resistor	360.0K 1/4 F	金 属 被 膜 抵 抗			01
R253	HF457160	Carbon Resistor	16.0K 1/4 J	力 - ボ ン 抵 抗			01
R280	RF357200	Carbon Resistor (chip)	20.0K D 1608	チ ッ プ 抵 抗			01
R281	RD357100	Carbon Resistor (chip)	10.0K 63M J	チ ッ プ 抵 抗			01
* R282	RF357620	Carbon Resistor (chip)	62.0K D 1608	チ ッ プ 抵 抗			01
* R283	HB028270	Metal Film Resistor	270.0K 1/4 F	金 属 被 膜 抵 抗			01
R284	RF357100	Carbon Resistor (chip)	10.0K D 1608	チ ッ プ 抵 抗			01
R285	RD358150	Carbon Resistor (chip)	150.0K 63M J	チ ッ プ 抵 抗			01
R286	RD357680	Carbon Resistor (chip)	68.0K 63M J	チ ッ プ 抵 抗			01
R287	RD357100	Carbon Resistor (chip)	10.0K 63M J	チ ッ プ 抵 抗			01
R288	RD357200	Carbon Resistor (chip)	20.0K 63M J	チ ッ プ 抵 抗			01
R289	RD358100	Carbon Resistor (chip)	100.0K 63M J	チ ッ プ 抵 抗			01
R290	RD357560	Carbon Resistor (chip)	56.0K 63M J	チ ッ プ 抵 抗			01
R291	HV756680	Flame Proof C. Resistor	6.8K 1/4 J	不 燃 化 カ ー ボ ン 抵 抗			01
* R292	HB028180	Metal Film Resistor	180.0K 1/4 F	金 属 被 膜 抵 抗			01
R293	HB026560	Metal Film Resistor	5.6K 1/4 F	金 属 被 膜 抵 抗			01
R294	HB027200	Metal Film Resistor	20.0K 1/4 F	金 属 被 膜 抵 抗			01
R295	HF456680	Carbon Resistor	6.8K 1/4 J	力 - ボ ン 抵 抗			01
-297	HF456680	Carbon Resistor	6.8K 1/4 J	力 - ボ ン 抵 抗			01
R298	HF456100	Carbon Resistor	1.0K 1/4 J	力 - ボ ン 抵 抗			01
R299	HF457470	Carbon Resistor	47.0K 1/4 J	力 - ボ ン 抵 抗			01
VR201	VA787500	Trimmer Potentiometer	B 470 3P RHEOA	半 固 定 V R			01
*	WD351400	Circuit Board	PAH70 P7000S A	シ ー ト P A H 7 0	P7000S A (X3850B0)		01
C101	V9728500	Electrolytic Cap.	4.7 100.0V	ケ ミ コ ン			01
C102	V9728500	Electrolytic Cap.	4.7 100.0V	ケ ミ コ ン			01
C103	FG644100	Electrolytic Cap.	0.0100 50V Z	セ ラ コ ン (F)			01
C104	FG644100	Electrolytic Cap.	0.0100 50V Z	セ ラ コ ン (F)			01
C105	UA653750	Mylar Capacitor	7500P 50V J	マ イ ラ - コ ン			01

* : New parts (新規部品)

RANK : Japan only

REF NO.	PART NO.	DESCRIPTION	部 品 名	REMARKS	QTY	RANK
C106	UA653220	Mylar Capacitor	2200P 50V J	マイラ - コ ン		01
* C107	WD706100	Ceramic Capacitor-SL	33P 1KV J	セラコン (S L)		
* C108	WD705700	Ceramic Capacitor-SL	10P 1KV J	セラコン (S L)		
C109	VV082300	Mylar Capacitor	0.1000 250V M	フィルムコン		01
C110	VV082300	Mylar Capacitor	0.1000 250V M	フィルムコン		01
C111	V9728900	Electrolytic Cap.	2.20 200.0V	ケ ミ コ ン		
C112	V9728900	Electrolytic Cap.	2.20 200.0V	ケ ミ コ ン		
* C113	WD706500	Ceramic Capacitor-SL	100P 1KV J	セラコン (S L)		
* C114	WD706500	Ceramic Capacitor-SL	100P 1KV J	セラコン (S L)		
* C115	WD707800	Ceramic Capacitor-B	2200P 1KV K	セラコン (B)		
* C116	WD707800	Ceramic Capacitor-B	2200P 1KV K	セラコン (B)		
C117	V5097700	Mylar Capacitor	3.3000 250V K	フィルムコン		05
C118	V5097700	Mylar Capacitor	3.3000 250V K	フィルムコン		05
C119	V9728900	Electrolytic Cap.	2.20 200.0V	ケ ミ コ ン		
C120	V9728900	Electrolytic Cap.	2.20 200.0V	ケ ミ コ ン		
* C121	WD707800	Ceramic Capacitor-B	2200P 1KV K	セラコン (B)		
* C122	WD707100	Ceramic Capacitor-SL	330P 1KV J	セラコン (S L)		
* C123	WD707100	Ceramic Capacitor-SL	330P 1KV J	セラコン (S L)		
C124	WB378500	Electrolytic Cap.	100.00 200.0V	ケ ミ コ ン		
C125	WB378500	Electrolytic Cap.	100.00 200.0V	ケ ミ コ ン		
* C126	WD707800	Ceramic Capacitor-B	2200P 1KV K	セラコン (B)		
C127	V9726300	Electrolytic Cap.	470.00 10.0V	ケ ミ コ ン		
C128	V9727800	Electrolytic Cap.	22.00 50.0V	ケ ミ コ ン		
C129	US062470	Ceramic Capacitor-SL(chip)	470P 50V J	チップセラ (S L)		01
C201	US064100	Ceramic Capacitor-B (chip)	0.0100 50V K	チップセラ (B)		01
C202	US062100	Ceramic Capacitor-SL(chip)	100P 50V J	チップセラ (S L)		01
C203	US064100	Ceramic Capacitor-B (chip)	0.0100 50V K	チップセラ (B)		01
C204	US064100	Ceramic Capacitor-B (chip)	0.0100 50V K	チップセラ (B)		01
C205	US061560	Ceramic Capacitor-CH(chip)	56P 50V J	チップセラ (C H)		01
C206	V9726300	Electrolytic Cap.	470.00 10.0V	ケ ミ コ ン		
C207	US063100	Ceramic Capacitor-B (chip)	1000P 50V K	チップセラ (B)		01
C208	US062470	Ceramic Capacitor-SL(chip)	470P 50V J	チップセラ (S L)		01
C209	V9726500	Electrolytic Cap.	10.00 25.0V	ケ ミ コ ン		01
C210	US064100	Ceramic Capacitor-B (chip)	0.0100 50V K	チップセラ (B)		01
C211	V9726400	Electrolytic Cap.	100.00 16.0V	ケ ミ コ ン		01
C212	UA653220	Mylar Capacitor	2200P 50V J	マイラ - コ ン		01
C213	V9726400	Electrolytic Cap.	100.00 16.0V	ケ ミ コ ン		01
C214	FU451100	Mica Capacitor	10P 500V D	マイカコン		01
C215	UA653220	Mylar Capacitor	2200P 50V J	マイラ - コ ン		01
C216	V9726500	Electrolytic Cap.	10.00 25.0V	ケ ミ コ ン		01
C217	FG644100	Electrolytic Cap.	0.0100 50V Z	セラコン (F)		01
C218	FU451220	Mica Capacitor	22P 500V J	マイカコン		01
C219	FU451220	Mica Capacitor	22P 500V J	マイカコン		01
C220	US061100	Ceramic Capacitor-CH(chip)	10P 50V D	チップセラ (C H)		01
C221	US061100	Ceramic Capacitor-CH(chip)	10P 50V D	チップセラ (C H)		01
C222	V9726500	Electrolytic Cap.	10.00 25.0V	ケ ミ コ ン		01
-224	V9726500	Electrolytic Cap.	10.00 25.0V	ケ ミ コ ン		01
CN101	VB389800	Connector Base Post	PH- 2P TE	コネクタベースポスト		01
CN102	WA767700	Fasten Terminal	16611BL-2	ファストン端子		
-105	WA767700	Fasten Terminal	16611BL-2	ファストン端子		
CN201	VB390700	Connector Base Post	PH-11P TE	コネクタベースポスト		01
CN202	VB389900	Connector Base Post	PH- 3P TE	コネクタベースポスト		01
D101	VD631600	Diode	1SS133,176,HSS104	ダイオード		01
D102	VD631600	Diode	1SS133,176,HSS104	ダイオード		01
D103	VG438900	Zener Diode	MTZ J 8.2B 8.2V	ツェナーダイオード		01
D104	VQ469600	Diode	HSS82	ダイオード		01
D105	VQ469600	Diode	HSS82	ダイオード		01
D106	VG438300	Zener Diode	MTZ J 6.8B 6.8V	ツェナーダイオード		01
D107	VD631600	Diode	1SS133,176,HSS104	ダイオード		01
D108	VD631600	Diode	1SS133,176,HSS104	ダイオード		01
D109	WB115000	Diode	AL01	ダイオード		
D110	VQ469600	Diode	HSS82	ダイオード		01
D111	VQ469600	Diode	HSS82	ダイオード		01
D112	WB115000	Diode	AL01	ダイオード		
D113	VQ469600	Diode	HSS82	ダイオード		01
D114	VQ469600	Diode	HSS82	ダイオード		01
D115	WD543900	Diode	1N4004 DO-41	ダイオード		
-118	WD543900	Diode	1N4004 DO-41	ダイオード		
D119	WA757600	Diode	AL01Z	ダイオード		05
-121	WA757600	Diode	AL01Z	ダイオード		05

* : New parts (新規部品)

RANK : Japan only

REF. NO.	PART NO.	DESCRIPTION	部 品 名	REMARKS	QTY	RANK
D122	VJ657300	Diode	AK03 V0	ダイオード		01
D123	VJ657300	Diode	AK03 V0	ダイオード		01
D128	VQ469600	Diode	HSS82	ダイオード		01
D129	VQ469600	Diode	HSS82	ダイオード		01
D201	VT332900	Diode	1SS355 TE-17	ダイオード		01
D202	VT332900	Diode	1SS355 TE-17	ダイオード		01
D203	VD631600	Diode	1SS133,176,HSS104	ダイオード		01
-206	VD631600	Diode	1SS133,176,HSS104	ダイオード		01
D208	VQ469600	Diode	HSS82	ダイオード		01
D209	VQ469600	Diode	HSS82	ダイオード		01
D210	VG438000	Zener Diode	MTZ J 6.2B 6.2V	ツェナーダイオード		01
D211	VG438000	Zener Diode	MTZ J 6.2B 6.2V	ツェナーダイオード		01
D212	VQ469600	Diode	HSS82	ダイオード		01
D213	VQ469600	Diode	HSS82	ダイオード		01
D214	VG436600	Zener Diode	MTZ J 3.9B 3.9V	ツェナーダイオード		01
IC201	X3505A00	IC	NJM2068MD-TE2	IC	OP AMP	02
IC202	XM882A00	IC	NJM431L(T3)	IC	Adjustable Regulator	02
* L101	WD408700	Coil	1.9U	空芯コイル 1.9 U		
L102	V4668300	Coil	OH-20 100UH	コイル		08
L103	V4668300	Coil	OH-20 100UH	コイル		08
* L104	WD408800	Coil	1.7U	空芯コイル 1.7 U		
* L105	WD408800	Coil	1.7U	空芯コイル 1.7 U		
Q101	VR152800	Transistor	2SA1480 E,F	トランジスタ		02
Q102	VR152900	Transistor	2SC3790 E,F	トランジスタ		02
Q103	V8093400	Transistor	2SC3425	トランジスタ		03
Q104	V8093300	Transistor	2SA1924	トランジスタ		02
Q105	VU418600	Transistor	2SC3468 D,E	トランジスタ		01
Q106	VU418400	Transistor	2SA1371 D,E	トランジスタ		01
Q107	V4096000	Transistor	2SA1770 S,T	トランジスタ		03
Q108	V4096100	Transistor	2SC4614 S,T	トランジスタ		02
Q109	V4096000	Transistor	2SA1770 S,T	トランジスタ		03
Q110	VI242900	Transistor	2SA1020-Y(TPE6) Y	トランジスタ		01
Q111	VI242900	Transistor	2SA1020-Y(TPE6) Y	トランジスタ		01
Q127	VV556400	Transistor	2SC2412K Q,R,S	トランジスタ		01
Q127	WC529400	Transistor	2SCKTC3875S Y,GR	トランジスタ		01
Q128	VU418600	Transistor	2SC3468 D,E	トランジスタ		01
Q129	VV556400	Transistor	2SC2412K Q,R,S	トランジスタ		01
Q129	WC529400	Transistor	2SCKTC3875S Y,GR	トランジスタ		01
Q130	VU418600	Transistor	2SC3468 D,E	トランジスタ		01
-132	VU418600	Transistor	2SC3468 D,E	トランジスタ		01
Q133	V8093300	Transistor	2SA1924	トランジスタ		02
Q134	V4096100	Transistor	2SC4614 S,T	トランジスタ		02
Q201	VV556500	Transistor	2SA1037AK Q,R,S	トランジスタ		01
Q201	WC529500	Transistor	2SCKTA1504S Y,GR	トランジスタ		01
Q202	VV556500	Transistor	2SA1037AK Q,R,S	トランジスタ		01
Q202	WC529500	Transistor	2SCKTA1504S Y,GR	トランジスタ		01
Q203	VV556400	Transistor	2SC2412K Q,R,S	トランジスタ		01
Q203	WC529400	Transistor	2SCKTC3875S Y,GR	トランジスタ		01
Q204	VV556400	Transistor	2SC2412K Q,R,S	トランジスタ		01
Q204	WC529400	Transistor	2SCKTC3875S Y,GR	トランジスタ		01
Q205	WA866800	Transistor	2SC4695-TB	トランジスタ		01
Q206	VV655400	Digital Transistor	DTC114EKA TP	デジタルトランジスタ		01
Q207	WA866800	Transistor	2SC4695-TB	トランジスタ		01
Q208	VV655000	Digital Transistor	DTA114EKA TP	デジタルトランジスタ		01
Q209	IC1815M0	Transistor	2SC1815 Y,GR	トランジスタ		01
Q210	VU418400	Transistor	2SA1371 D,E	トランジスタ		01
Q211	VU418400	Transistor	2SA1371 D,E	トランジスタ		01
Q212	VU418600	Transistor	2SC3468 D,E	トランジスタ		01
Q213	VU418400	Transistor	2SA1371 D,E	トランジスタ		01
Q214	IC1815M0	Transistor	2SC1815 Y,GR	トランジスタ		01
Q215	V8093400	Transistor	2SC3425	トランジスタ		03
Q216	IC1815M0	Transistor	2SC1815 Y,GR	トランジスタ		01
Q217	V8093300	Transistor	2SA1924	トランジスタ		02
Q219	VR152900	Transistor	2SC3790 E,F	トランジスタ		02
Q220	VR152800	Transistor	2SA1480 E,F	トランジスタ		02
Q221	V8093300	Transistor	2SA1924	トランジスタ		02
R101	HF457120	Carbon Resistor	12.0K 1/4 J	カーボン抵抗		01
R102	HF457750	Carbon Resistor	75.0K 1/4 J	カーボン抵抗		01
R103	HF457470	Carbon Resistor	47.0K 1/4 J	カーボン抵抗		01
-106	HF457470	Carbon Resistor	47.0K 1/4 J	カーボン抵抗		01

* : New parts (新規部品)

RANK : Japan only

REF NO.	PART NO.	DESCRIPTION	部 品 名	REMARKS	QTY	RANK
R107	HV753470	Flame Proof C. Resistor	4.7 1/4 J	不燃化カーボン抵抗		01
R108	HV753470	Flame Proof C. Resistor	4.7 1/4 J	不燃化カーボン抵抗		01
R109	HF457560	Carbon Resistor	56.0K 1/4 J	力ーボン抵抗		01
R110	HF457560	Carbon Resistor	56.0K 1/4 J	力ーボン抵抗		01
R111	HV755680	Flame Proof C. Resistor	680.0 1/4 J	不燃化カーボン抵抗		01
R112	HV755680	Flame Proof C. Resistor	680.0 1/4 J	不燃化カーボン抵抗		01
R113	HV755330	Flame Proof C. Resistor	330.0 1/4 J	不燃化カーボン抵抗		01
R114	HV755330	Flame Proof C. Resistor	330.0 1/4 J	不燃化カーボン抵抗		01
R115	HV755220	Flame Proof C. Resistor	220.0 1/4 J	不燃化カーボン抵抗		01
R116	HV755100	Flame Proof C. Resistor	100.0 1/4 J	不燃化カーボン抵抗		01
R117	HV754330	Flame Proof C. Resistor	33.0 1/4 J	不燃化カーボン抵抗		01
R118	HV754330	Flame Proof C. Resistor	33.0 1/4 J	不燃化カーボン抵抗		01
R119	HV753470	Flame Proof C. Resistor	4.7 1/4 J	不燃化カーボン抵抗		01
R120	HV753470	Flame Proof C. Resistor	4.7 1/4 J	不燃化カーボン抵抗		01
R121	HV754220	Flame Proof C. Resistor	22.0 1/4 J	不燃化カーボン抵抗		01
R122	HV754220	Flame Proof C. Resistor	22.0 1/4 J	不燃化カーボン抵抗		01
R123	V4833200	Wire Wound Resistor	0.22 5W K	セメント抵抗		01
R124	V4833200	Wire Wound Resistor	0.22 5W K	セメント抵抗		01
R125	HV753470	Flame Proof C. Resistor	4.7 1/4 J	不燃化カーボン抵抗		01
R126	HV753470	Flame Proof C. Resistor	4.7 1/4 J	不燃化カーボン抵抗		01
R127	HV754220	Flame Proof C. Resistor	22.0 1/4 J	不燃化カーボン抵抗		01
R128	HV754220	Flame Proof C. Resistor	22.0 1/4 J	不燃化カーボン抵抗		01
R129	V4833200	Wire Wound Resistor	0.22 5W K	セメント抵抗		01
R130	V4833200	Wire Wound Resistor	0.22 5W K	セメント抵抗		01
R131	HV753470	Flame Proof C. Resistor	4.7 1/4 J	不燃化カーボン抵抗		01
R132	HV753470	Flame Proof C. Resistor	4.7 1/4 J	不燃化カーボン抵抗		01
R133	HV754220	Flame Proof C. Resistor	22.0 1/4 J	不燃化カーボン抵抗		01
R134	HV754220	Flame Proof C. Resistor	22.0 1/4 J	不燃化カーボン抵抗		01
R135	V4833200	Wire Wound Resistor	0.22 5W K	セメント抵抗		01
R136	V4833200	Wire Wound Resistor	0.22 5W K	セメント抵抗		01
R137	HV753470	Flame Proof C. Resistor	4.7 1/4 J	不燃化カーボン抵抗		01
R138	HV753470	Flame Proof C. Resistor	4.7 1/4 J	不燃化カーボン抵抗		01
R139	HV754220	Flame Proof C. Resistor	22.0 1/4 J	不燃化カーボン抵抗		01
R140	HV754220	Flame Proof C. Resistor	22.0 1/4 J	不燃化カーボン抵抗		01
R141	V4833200	Wire Wound Resistor	0.22 5W K	セメント抵抗		01
R142	V4833200	Wire Wound Resistor	0.22 5W K	セメント抵抗		01
R143	HV753470	Flame Proof C. Resistor	4.7 1/4 J	不燃化カーボン抵抗		01
R144	HV753470	Flame Proof C. Resistor	4.7 1/4 J	不燃化カーボン抵抗		01
R145	HV754220	Flame Proof C. Resistor	22.0 1/4 J	不燃化カーボン抵抗		01
R146	HV754220	Flame Proof C. Resistor	22.0 1/4 J	不燃化カーボン抵抗		01
R147	V4833200	Wire Wound Resistor	0.22 5W K	セメント抵抗		01
R148	V4833200	Wire Wound Resistor	0.22 5W K	セメント抵抗		01
R149	HV753470	Flame Proof C. Resistor	4.7 1/4 J	不燃化カーボン抵抗		01
R150	HV753470	Flame Proof C. Resistor	4.7 1/4 J	不燃化カーボン抵抗		01
* R151	WD407100	Metal Oxide Film Resistor	4.7 3W J	酸化金属被膜抵抗		01
R152	HV754220	Flame Proof C. Resistor	22.0 1/4 J	不燃化カーボン抵抗		01
R153	HV754220	Flame Proof C. Resistor	22.0 1/4 J	不燃化カーボン抵抗		01
R154	V4833200	Wire Wound Resistor	0.22 5W K	セメント抵抗		01
R155	V4833200	Wire Wound Resistor	0.22 5W K	セメント抵抗		01
* R156	WD407100	Metal Oxide Film Resistor	4.7 3W J	酸化金属被膜抵抗		01
R157	HF456560	Carbon Resistor	5.6K 1/4 J	力ーボン抵抗		01
R158	HF456560	Carbon Resistor	5.6K 1/4 J	力ーボン抵抗		01
R159	HV754220	Flame Proof C. Resistor	22.0 1/4 J	不燃化カーボン抵抗		01
R160	HV756220	Flame Proof C. Resistor	2.2K 1/4 J	不燃化カーボン抵抗		01
R161	HV756220	Flame Proof C. Resistor	2.2K 1/4 J	不燃化カーボン抵抗		01
R162	HV754220	Flame Proof C. Resistor	22.0 1/4 J	不燃化カーボン抵抗		01
R163	HV755150	Flame Proof C. Resistor	150.0 1/4 J	不燃化カーボン抵抗		01
R164	HV755150	Flame Proof C. Resistor	150.0 1/4 J	不燃化カーボン抵抗		01
R165	HV753100	Flame Proof C. Resistor	1.0 1/4 J	不燃化カーボン抵抗		01
R166	HV753100	Flame Proof C. Resistor	1.0 1/4 J	不燃化カーボン抵抗		01
R167	VZ370200	Wire Wound Resistor	0.1 5W K	セメント抵抗		01
R168	HV753470	Flame Proof C. Resistor	4.7 1/4 J	不燃化カーボン抵抗		01
R169	VZ370200	Wire Wound Resistor	0.1 5W K	セメント抵抗		01
R170	HV753100	Flame Proof C. Resistor	1.0 1/4 J	不燃化カーボン抵抗		01
R171	HV753100	Flame Proof C. Resistor	1.0 1/4 J	不燃化カーボン抵抗		01
R172	VZ370200	Wire Wound Resistor	0.1 5W K	セメント抵抗		01
R173	HV753100	Flame Proof C. Resistor	1.0 1/4 J	不燃化カーボン抵抗		01
R174	VZ370200	Wire Wound Resistor	0.1 5W K	セメント抵抗		01
R175	HV753100	Flame Proof C. Resistor	1.0 1/4 J	不燃化カーボン抵抗		01
R176	HV753470	Flame Proof C. Resistor	4.7 1/4 J	不燃化カーボン抵抗		01

* : New parts (新規部品)

RANK : Japan only

REF. NO.	PART NO.	DESCRIPTION	部 品 名	REMARKS	QTY	RANK
R177	HV754100	Flame Proof C. Resistor	10.0 1/4 J	不燃化力ーボン抵抗		01
R178	HV754100	Flame Proof C. Resistor	10.0 1/4 J	不燃化力ーボン抵抗		01
R179	HV755330	Flame Proof C. Resistor	330.0 1/4 J	不燃化力ーボン抵抗		01
* R180	VC762900	Metal Oxide Film Resistor	3.9K 2W J	酸化金属被膜抵抗		
R181	HV755330	Flame Proof C. Resistor	330.0 1/4 J	不燃化力ーボン抵抗		01
R182	HV755100	Flame Proof C. Resistor	100.0 1/4 J	不燃化力ーボン抵抗		01
* R183	VC762900	Metal Oxide Film Resistor	3.9K 2W J	酸化金属被膜抵抗		
R184	HV754220	Flame Proof C. Resistor	22.0 1/4 J	不燃化力ーボン抵抗		01
R185	HV754100	Flame Proof C. Resistor	10.0 1/4 J	不燃化力ーボン抵抗		01
R186	HV755220	Flame Proof C. Resistor	220.0 1/4 J	不燃化力ーボン抵抗		01
* R187	VC762900	Metal Oxide Film Resistor	3.9K 2W J	酸化金属被膜抵抗		
R188	HV755470	Flame Proof C. Resistor	470.0 1/4 J	不燃化力ーボン抵抗		01
R189	HV754220	Flame Proof C. Resistor	22.0 1/4 J	不燃化力ーボン抵抗		01
R190	HV754220	Flame Proof C. Resistor	22.0 1/4 J	不燃化力ーボン抵抗		01
R191	HV753470	Flame Proof C. Resistor	4.7 1/4 J	不燃化力ーボン抵抗		01
R192	HV754220	Flame Proof C. Resistor	22.0 1/4 J	不燃化力ーボン抵抗		01
R193	HV754220	Flame Proof C. Resistor	22.0 1/4 J	不燃化力ーボン抵抗		01
R194	VP939800	Metal Oxide Film Resistor	10.0 1W J	酸化金属被膜抵抗		01
R195	VP939800	Metal Oxide Film Resistor	10.0 1W J	酸化金属被膜抵抗		01
R201	RF357180	Carbon Resistor (chip)	18.0K D 1608	チ ッ プ 抵 抗		
R202	RD357100	Carbon Resistor (chip)	10.0K 63M J	チ ッ プ 抵 抗		01
R203	RF357180	Carbon Resistor (chip)	18.0K D 1608	チ ッ プ 抵 抗		
R204	RD357120	Carbon Resistor (chip)	12.0K 63M J	チ ッ プ 抵 抗		01
R205	RD357120	Carbon Resistor (chip)	12.0K 63M J	チ ッ プ 抵 抗		01
R206	RD354750	Carbon Resistor (chip)	75.0 63M J	チ ッ プ 抵 抗		01
R207	RD357470	Carbon Resistor (chip)	47.0K 63M J	チ ッ プ 抵 抗		01
R208	RD357470	Carbon Resistor (chip)	47.0K 63M J	チ ッ プ 抵 抗		01
R209	RD354750	Carbon Resistor (chip)	75.0 63M J	チ ッ プ 抵 抗		01
R210	RD356820	Carbon Resistor (chip)	8.2K 63M J	チ ッ プ 抵 抗		01
R211	RD355100	Carbon Resistor (chip)	100.0 63M J	チ ッ プ 抵 抗		01
R212	RD356820	Carbon Resistor (chip)	8.2K 63M J	チ ッ プ 抵 抗		01
R213	RD357270	Carbon Resistor (chip)	27.0K 63M J	チ ッ プ 抵 抗		01
R214	RD355470	Carbon Resistor (chip)	470.0 63M J	チ ッ プ 抵 抗		01
R215	RD357330	Carbon Resistor (chip)	33.0K 63M J	チ ッ プ 抵 抗		01
R216	RD355100	Carbon Resistor (chip)	100.0 63M J	チ ッ プ 抵 抗		01
R217	RD358470	Carbon Resistor (chip)	470.0K 63M J	チ ッ プ 抵 抗		01
R218	RD358470	Carbon Resistor (chip)	470.0K 63M J	チ ッ プ 抵 抗		01
R219	RD356220	Carbon Resistor (chip)	2.2K 63M J	チ ッ プ 抵 抗		01
R220	RD357220	Carbon Resistor (chip)	22.0K 63M J	チ ッ プ 抵 抗		01
R221	HF458120	Carbon Resistor	120.0K 1/4 J	力 ー ボ ン 抵 抗		01
R222	HF458330	Carbon Resistor	330.0K 1/4 J	力 ー ボ ン 抵 抗		01
R223	HF457220	Carbon Resistor	22.0K 1/4 J	力 ー ボ ン 抵 抗		01
R224	HB025510	Metal Film Resistor	510.0 1/4 F	力 ー ボ ン 抵 抗		01
R225	HF455560	Carbon Resistor	560.0 1/4 J	力 ー ボ ン 抵 抗		01
R226	HF455560	Carbon Resistor	560.0 1/4 J	力 ー ボ ン 抵 抗		01
R228	HF455560	Carbon Resistor	560.0 1/4 J	力 ー ボ ン 抵 抗		01
R229	WB449900	Carbon Resistor	11.0K 1/2 F V	力 ー ボ ン 抵 抗		01
R230	WB449900	Carbon Resistor	11.0K 1/2 F V	力 ー ボ ン 抵 抗		01
R231	HF455200	Carbon Resistor	200.0 1/4 J	力 ー ボ ン 抵 抗		01
R232	HF456680	Carbon Resistor	6.8K 1/4 J	力 ー ボ ン 抵 抗		01
-234	HF456680	Carbon Resistor	6.8K 1/4 J	力 ー ボ ン 抵 抗		01
R235	HF457750	Carbon Resistor	75.0K 1/4 J	力 ー ボ ン 抵 抗		01
R236	HF457750	Carbon Resistor	75.0K 1/4 J	力 ー ボ ン 抵 抗		01
R237	HF455220	Carbon Resistor	220.0 1/4 J	力 ー ボ ン 抵 抗		01
R238	HF455180	Carbon Resistor	180.0 1/4 J	力 ー ボ ン 抵 抗		01
R239	HF455180	Carbon Resistor	180.0 1/4 J	力 ー ボ ン 抵 抗		01
R240	HV753100	Flame Proof C. Resistor	1.0 1/4 J	不燃化力ーボン抵抗		01
R241	HV753100	Flame Proof C. Resistor	1.0 1/4 J	不燃化力ーボン抵抗		01
R242	HF455100	Carbon Resistor	100.0 1/4 J	力 ー ボ ン 抵 抗		01
R243	HF456150	Carbon Resistor	1.5K 1/4 J	力 ー ボ ン 抵 抗		01
R244	HF455120	Carbon Resistor	120.0 1/4 J	力 ー ボ ン 抵 抗		01
R245	HF455130	Carbon Resistor	130.0 1/4 J	力 ー ボ ン 抵 抗		01
R246	HF457160	Carbon Resistor	16.0K 1/4 J	力 ー ボ ン 抵 抗		01
* R247	HB028360	Metal Film Resistor	360.0K 1/4 F	金属被膜抵抗		
* R248	HB028360	Metal Film Resistor	360.0K 1/4 F	金属被膜抵抗		
R249	HB027200	Metal Film Resistor	20.0K 1/4 F	金属被膜抵抗		
R250	HB027200	Metal Film Resistor	20.0K 1/4 F	金属被膜抵抗		
* R251	HB028360	Metal Film Resistor	360.0K 1/4 F	金属被膜抵抗		
* R252	HB028360	Metal Film Resistor	360.0K 1/4 F	金属被膜抵抗		
R253	HF457160	Carbon Resistor	16.0K 1/4 J	力 ー ボ ン 抵 抗		01

* : New parts (新規部品)

RANK : Japan only

REF NO.	PART NO.	DESCRIPTION	部 品 名	REMARKS	QTY	RANK
R280	RF357200	Carbon Resistor (chip)	20.0K D 1608	チ ッ プ 抵 抗		01
R281	RD357100	Carbon Resistor (chip)	10.0K 63M J	チ ッ プ 抵 抗		01
* R282	RF357620	Carbon Resistor (chip)	62.0K D 1608	チ ッ プ 抵 抗		01
* R283	HB028270	Metal Film Resistor	270.0K 1/4 F	金 属 被 膜 抵 抗		01
R284	RF357100	Carbon Resistor (chip)	10.0K D 1608	チ ッ プ 抵 抗		01
R285	RD358150	Carbon Resistor (chip)	150.0K 63M J	チ ッ プ 抵 抗		01
R286	RD358100	Carbon Resistor (chip)	100.0K 63M J	チ ッ プ 抵 抗		01
R287	RD357100	Carbon Resistor (chip)	10.0K 63M J	チ ッ プ 抵 抗		01
R288	RD357200	Carbon Resistor (chip)	20.0K 63M J	チ ッ プ 抵 抗		01
R289	RD358100	Carbon Resistor (chip)	100.0K 63M J	チ ッ プ 抵 抗		01
R290	RD357560	Carbon Resistor (chip)	56.0K 63M J	チ ッ プ 抵 抗		01
R291	HV756680	Flame Proof C. Resistor	6.8K 1/4 J	不 燃 化 力 ー ボ ン 抵 抗		01
* R292	HB028270	Metal Film Resistor	270.0K 1/4 F	金 属 被 膜 抵 抗		01
R293	HB026560	Metal Film Resistor	5.6K 1/4 F	金 属 被 膜 抵 抗		01
R294	HB027200	Metal Film Resistor	20.0K 1/4 F	金 属 被 膜 抵 抗		01
R295	HF456680	Carbon Resistor	6.8K 1/4 J	力 ー ボ ン 抵 抗		01
-297	HF456680	Carbon Resistor	6.8K 1/4 J	力 ー ボ ン 抵 抗		01
R298	HF456100	Carbon Resistor	1.0K 1/4 J	力 ー ボ ン 抵 抗		01
R299	HF457470	Carbon Resistor	47.0K 1/4 J	力 ー ボ ン 抵 抗		01
VR201	VA787500	Trimmer Potentiometer	B 470 3P RHEOA	半 固 定 V R		01
	WA968500	Fan	RDH8025S2	D C フ ァ ン		06
	V9842200	AC Cord	J VCTF 2.0X3	電 源 コ ー ド	J	08
	WC183200	AC Cord	UC SJT 3X#18 10A	電 源 コ ー ド	U,V,T	07
	WC183300	AC Cord	H H05VV-F0.75X316A	電 源 コ ー ド	H,W,A,K	05
	WC183500	AC Cord	BS H05VV-F 13A	電 源 コ ー ド	B	08
	WD030800	AC Cord	CHN 10A 250V 2.5M	電 源 コ ー ド	O	



* : New parts (新規部品)

RANK : Japan only

POWER AMPLIFIER

P 5000S/P 7000S

■ CONTENTS (目次)

IC & DIODE OUTSIDE FIGURE (外形図).....	2
BLOCK DIAGRAM (ブロックダイアグラム).....	C1
WIRING DIAGRAM (基板結線図).....	C2
OVERALL CIRCUIT DIAGRAM (総回路図)	
IN	C3
PAH 1/2	C4
PAH 2/2	C5
PS	C6
LED, OUT1, OUT2, COIL, VR, PSW	C7

■ Capacitor (コンデンサー)

- (セ): Ceramic Capacitor (セラミックコンデンサー)
- (マ): Myler Capacitor (マイラーコンデンサー)
- (マイカ): Mica Capacitor (マイカコンデンサー)
- (フ): Myler Capacitor (フィルムコンデンサー)

■ Resistor (抵抗)

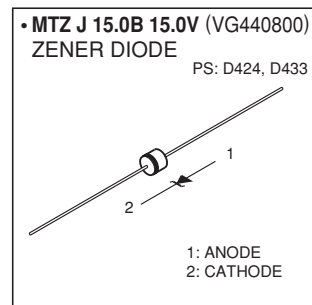
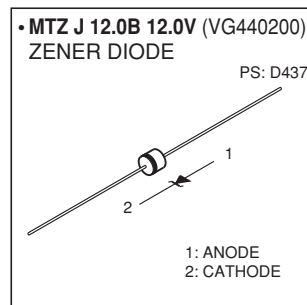
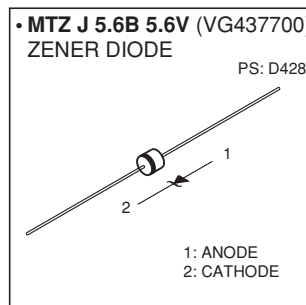
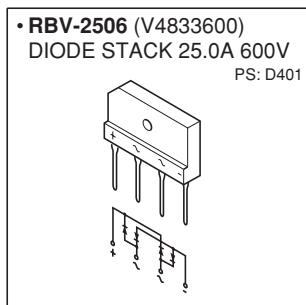
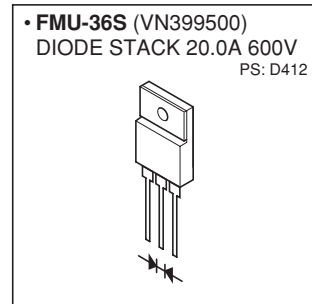
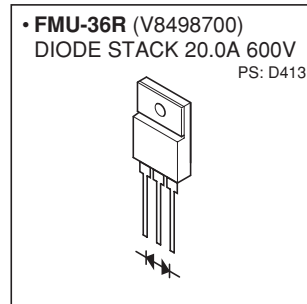
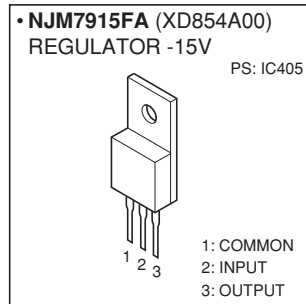
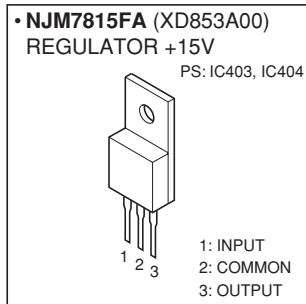
- (フ): Flame Proof Resistor (不燃化カーボン抵抗)
- セメント: Wire Wound Resistor (セメント抵抗)
- 酸金: Metal Oxide Film Resistor (サンキン抵抗)
- (F): Metal Film Resistor (金属被膜抵抗)

■ WARNING

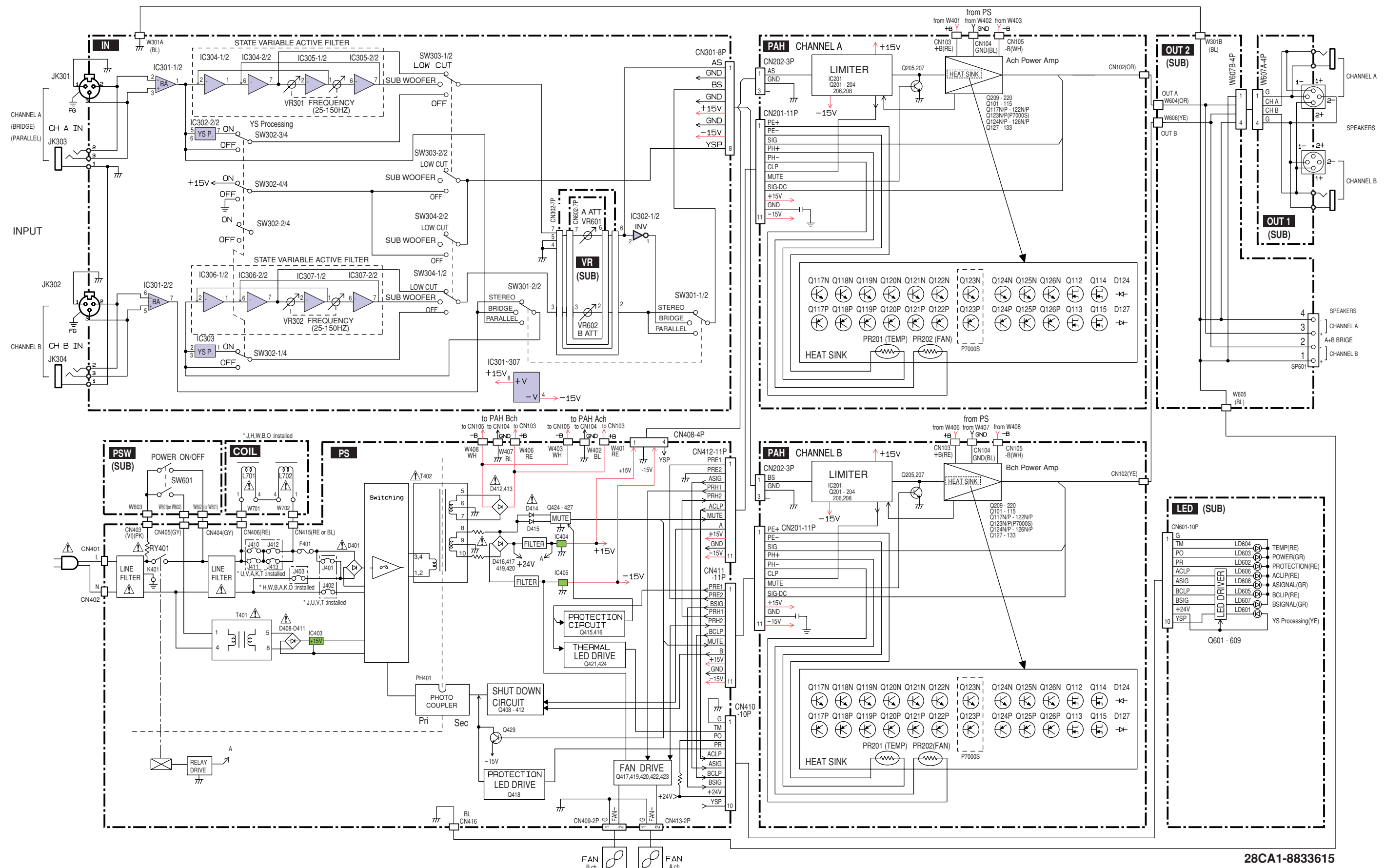
Components having special characteristics are marked \triangle and must be replaced with parts having specification equal to those originally installed.

\triangle 印の商品は、安全を維持するために重要な部品です。交換する場合は、安全のため必ず指定の部品をご使用下さい。

■ IC & DIODE OUTSIDE FIGURE (外形图)



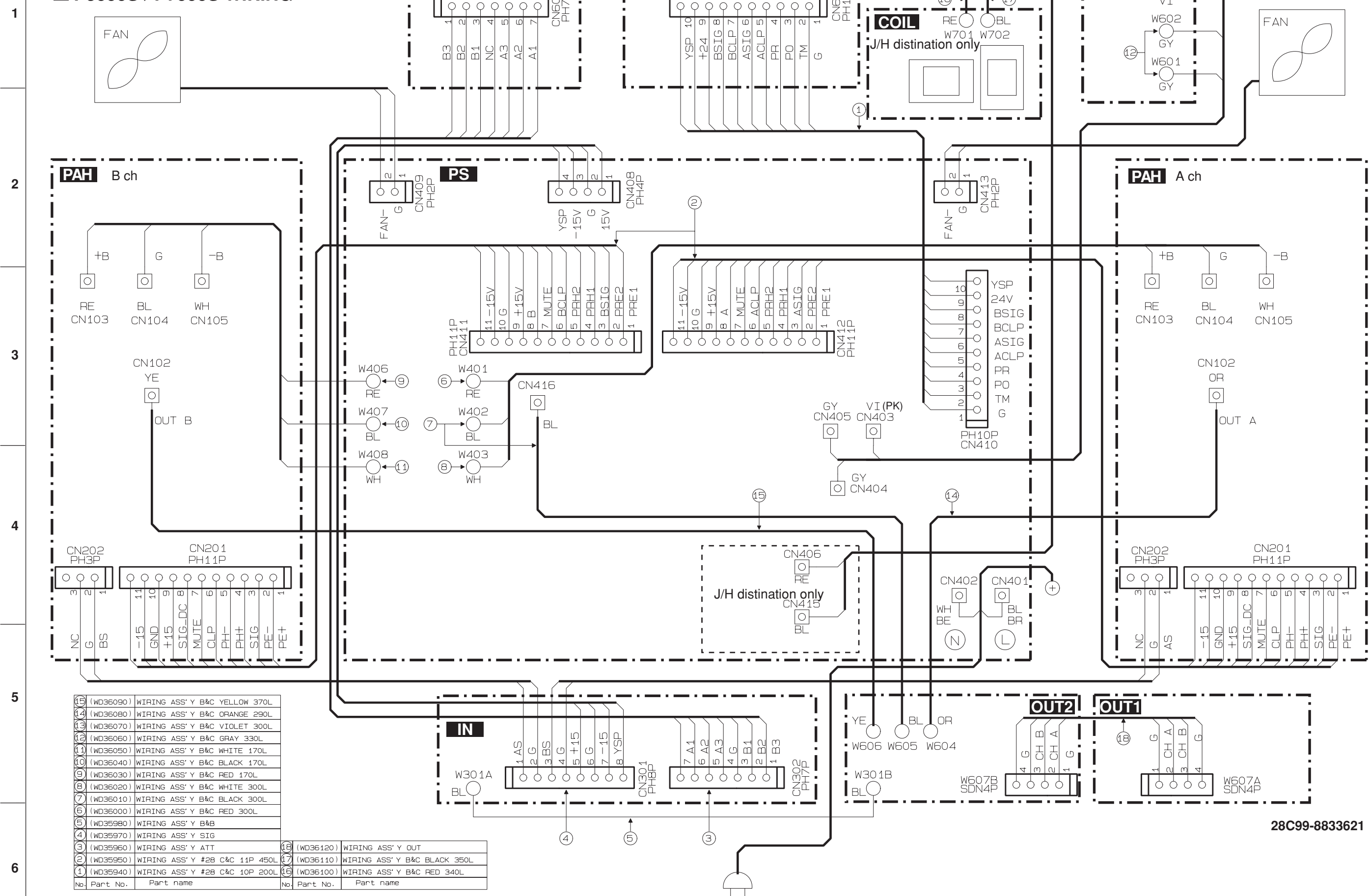
P5000S / P7000S BLOCK DIAGRAM



H G F E D C B A

<C.2>

P5000S / P7000S WIRING



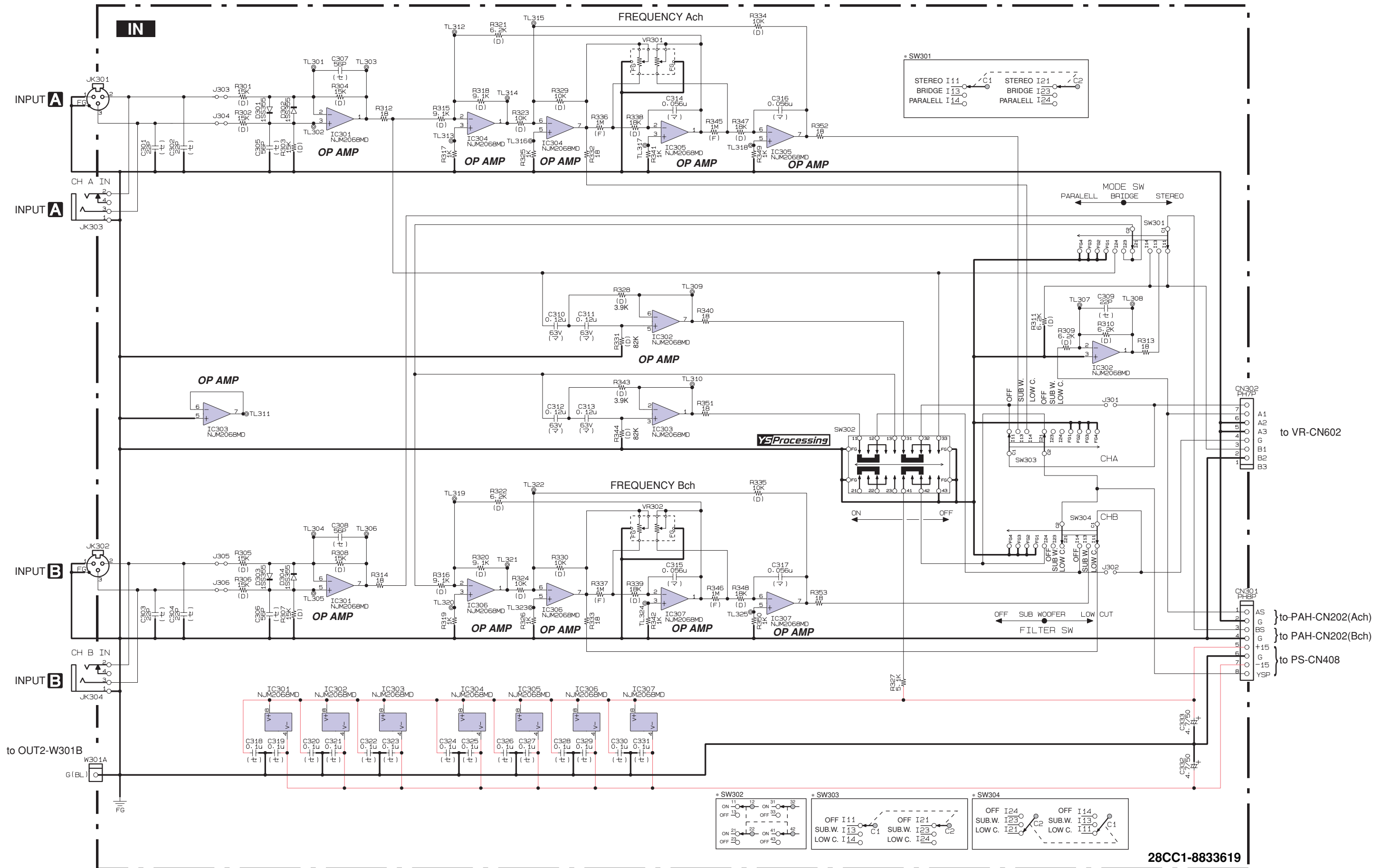
15	(WD36090)	WIRING ASS'Y B&C YELLOW 370L	18	(WD36120)	WIRING ASS'Y Y OUT
14	(WD36080)	WIRING ASS'Y Y B&C ORANGE 290L	17	(WD36110)	WIRING ASS'Y Y B&C BLACK 350L
13	(WD36070)	WIRING ASS'Y Y B&C VIOLET 300L	16	(WD36100)	WIRING ASS'Y Y B&C RED 340L
12	(WD36060)	WIRING ASS'Y Y B&C GRAY 330L			
11	(WD36050)	WIRING ASS'Y Y B&C WHITE 170L			
10	(WD36040)	WIRING ASS'Y Y B&C BLACK 170L			
9	(WD36030)	WIRING ASS'Y Y B&C RED 170L			
8	(WD36020)	WIRING ASS'Y Y B&C WHITE 300L			
7	(WD36010)	WIRING ASS'Y Y B&C BLACK 300L			
6	(WD36000)	WIRING ASS'Y Y B&C RED 300L			
5	(WD35980)	WIRING ASS'Y Y B&B			
4	(WD35970)	WIRING ASS'Y Y SIG			
3	(WD35960)	WIRING ASS'Y Y ATT			
2	(WD35950)	WIRING ASS'Y Y #28 C&C 11P 450L			
1	(WD35940)	WIRING ASS'Y Y #28 C&C 10P 200L			

* Connector assembly is not a service parts.

28C99-8833621

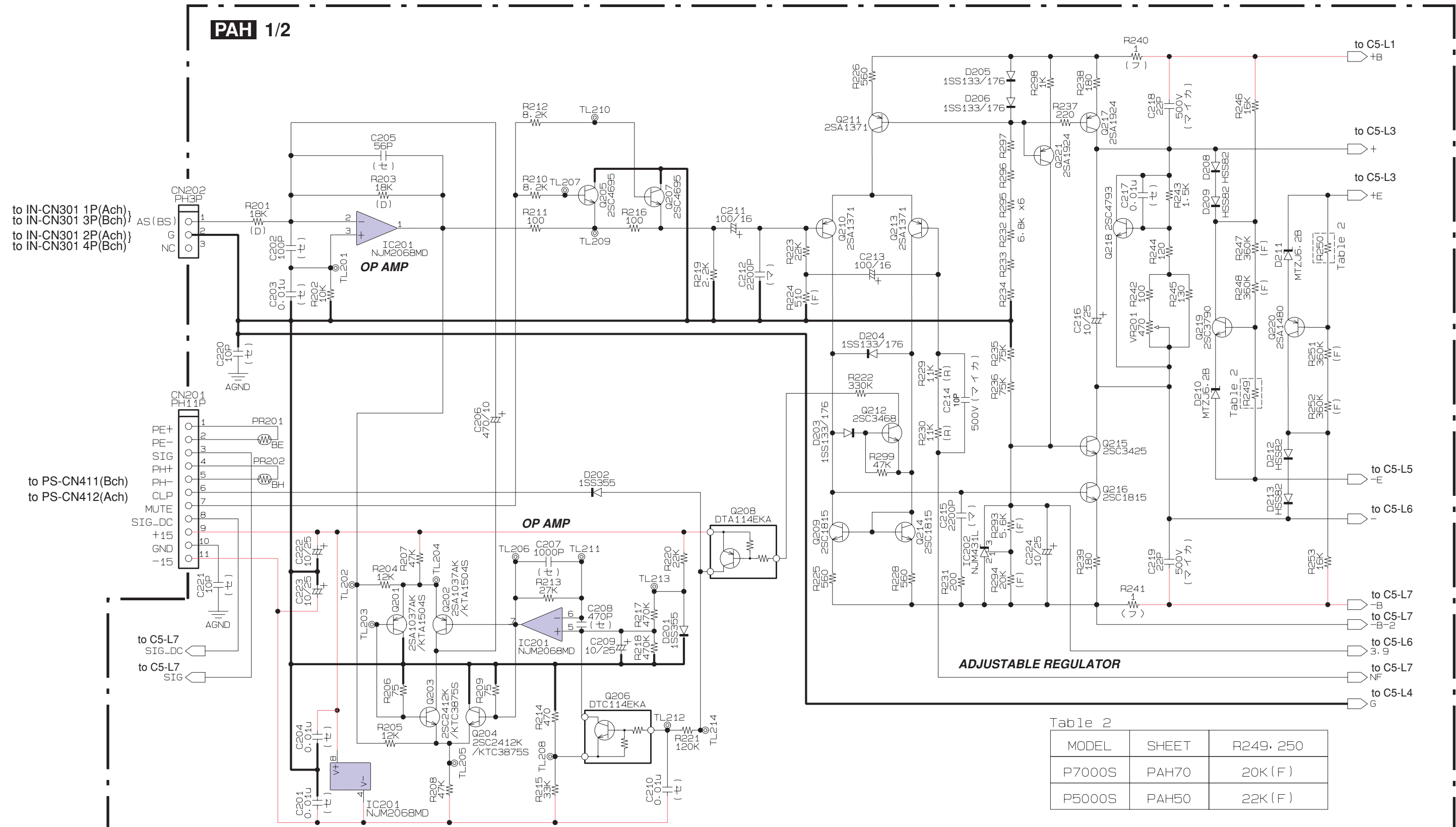
AC IN

P5000S / P7000S OVERALL CIRCUIT DIAGRAM 1/5 (IN)



■ P5000S / P7000S OVERALL CIRCUIT DIAGRAM 2/5 (PAH 1/2)

PAH 1/2



ADJUSTABLE REGULATOR

Table 2

MODEL	SHEET	R249, 250
P7000S	PAH70	20K (F)
P5000S	PAH50	22K (F)

28CC1-8833616

■ P5000S / P7000S OVERALL CIRCUIT DIAGRAM 3/5 (PAH 2/2)

PAH 2/2

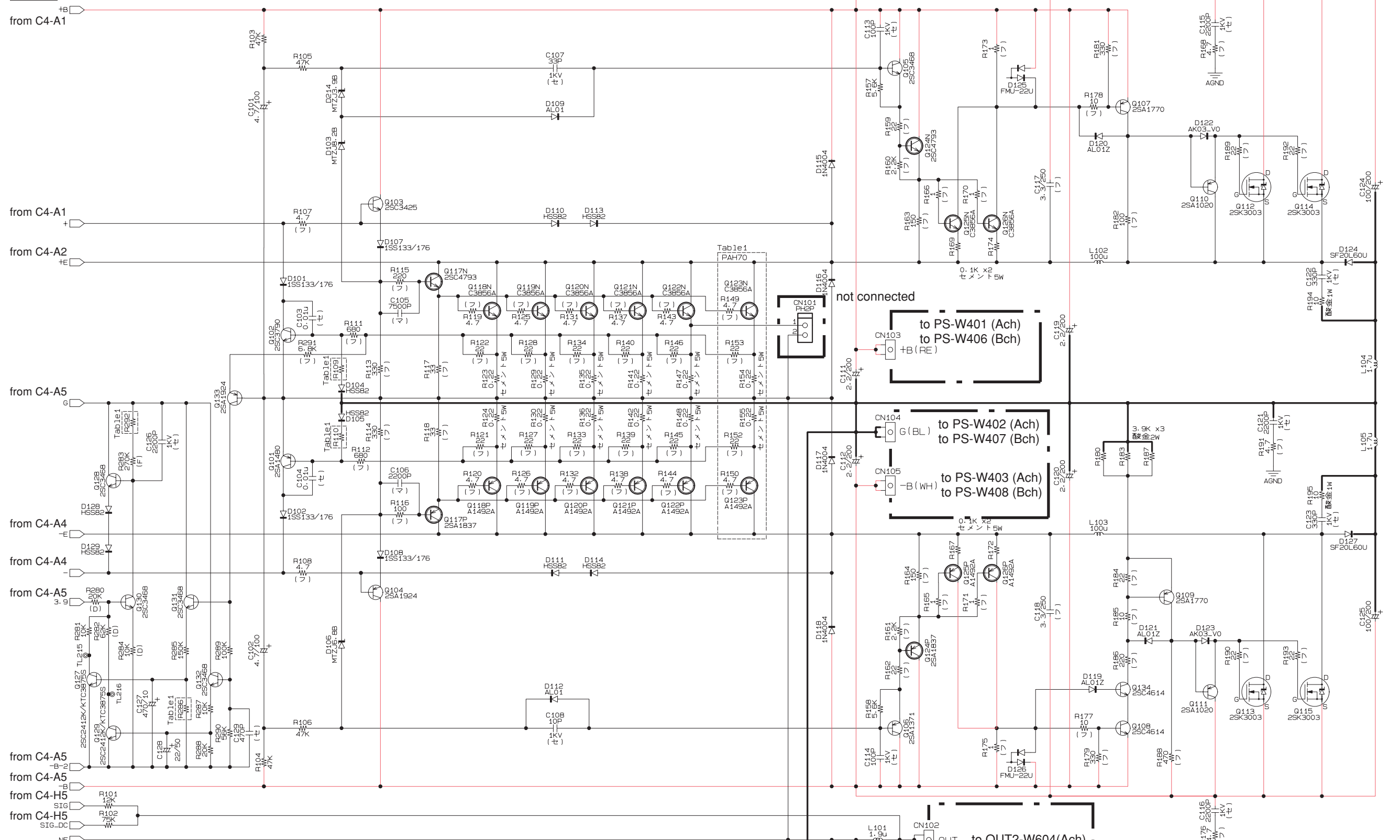


Table 1

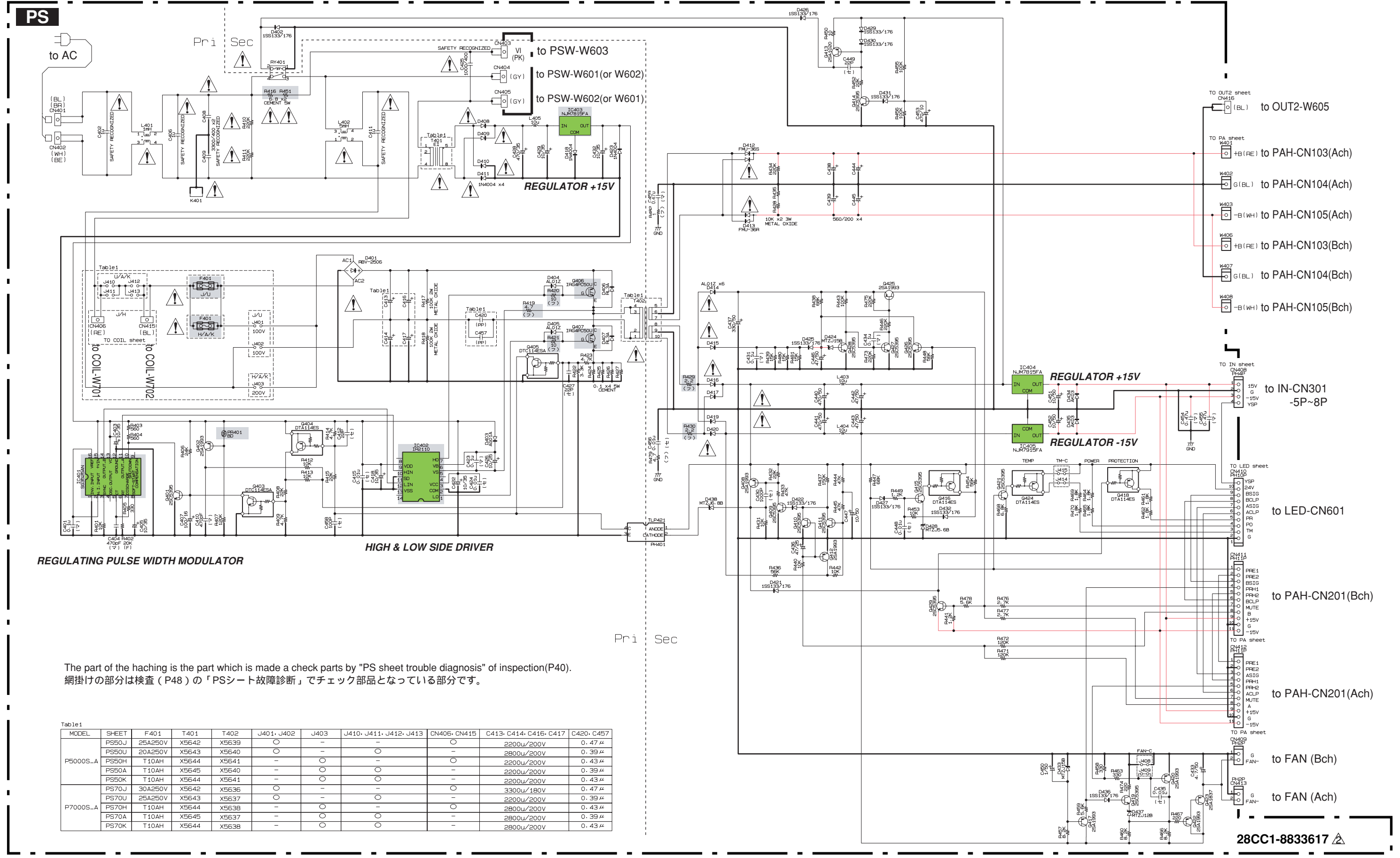
MODEL	SHEET	R109, 110	R292	R286	R149, R150, R152, R153 R154, R155, Q123N, Q123P
P7000S	PAH70	56K	270K (F)	100K	○
P5000S	PAH50	43K	180K (F)	68K	—

28CC1-8833616

1
2
3
4
5
6
7
8

P5000S / P7000S OVERALL CIRCUIT DIAGRAM 4/5 (PS)

1
2
3
4
5
6
7
8
9
10
11
12



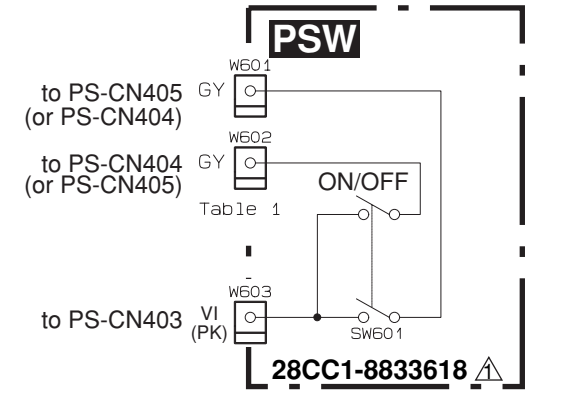
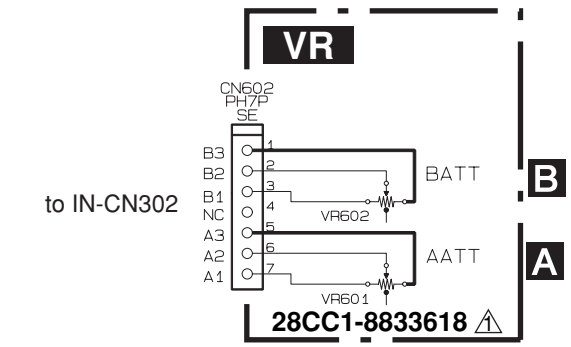
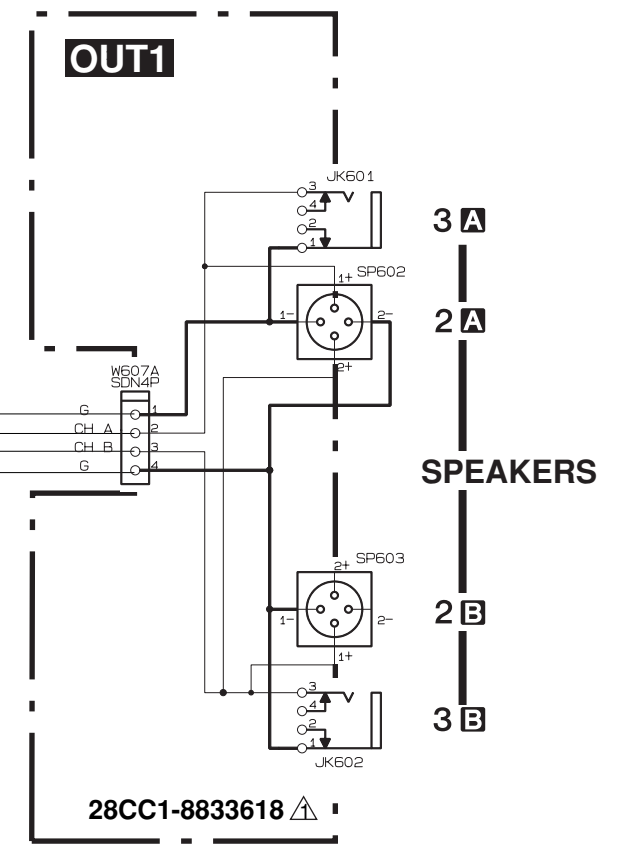
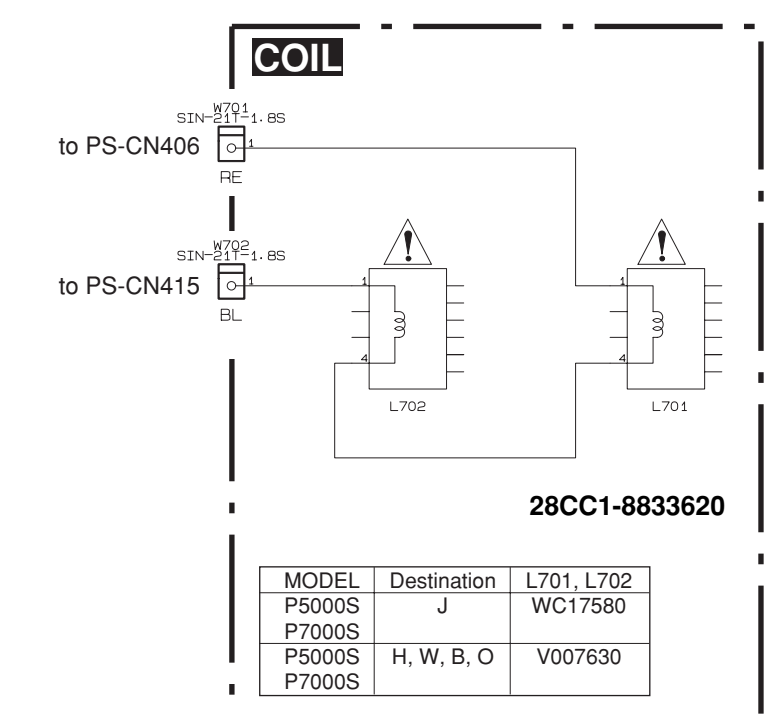
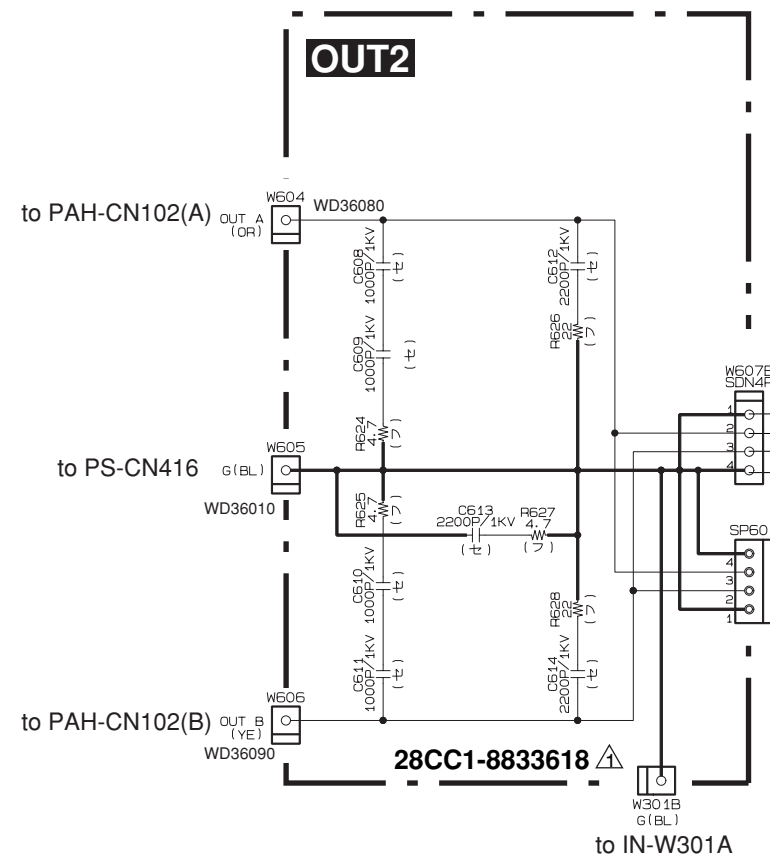
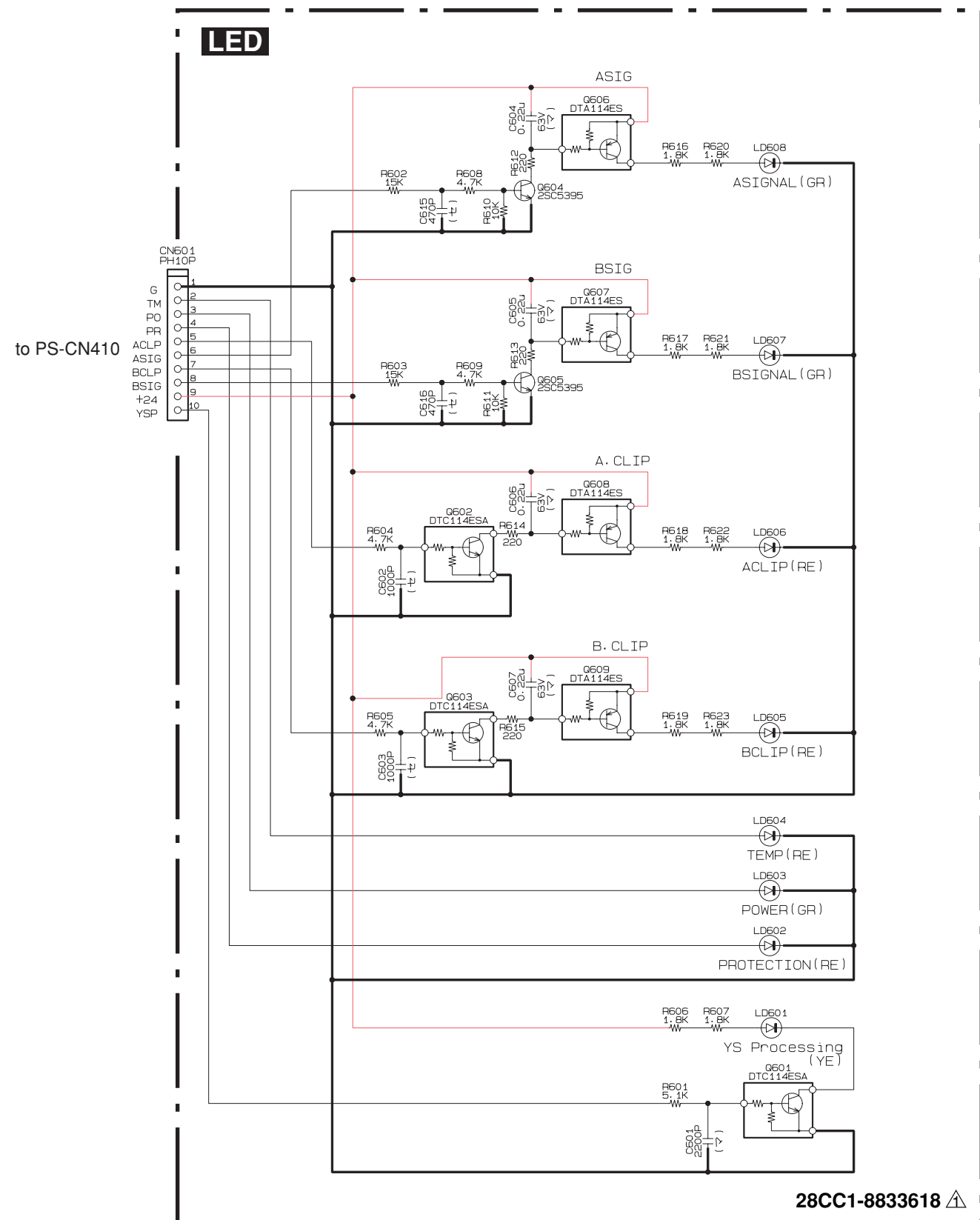
The part of the hatching is the part which is made a check parts by "PS sheet trouble diagnosis" of inspection(P40).
網掛けの部分は検査 (P48) の「PSシート故障診断」でチェック部品となっている部分です。

Table1

MODEL	SHEET	F401	T401	T402	J401, J402	J403	J410, J411, J412, J413	CN405, CN415	C413, C414, C415, C417	C420, C457
P5000S-A	PS50J	25A250V	X5642	X5639	○	-	-	○	2200μ/200V	0.47μ
	PS50U	20A250V	X5643	X5640	○	-	-	○	2800μ/200V	0.39μ
	PS50H	T10AH	X5644	X5641	○	○	○	○	2200μ/200V	0.43μ
	PS50A	T10AH	X5645	X5640	-	-	-	-	2200μ/200V	0.39μ
P7000S-A	PS50K	T10AH	X5644	X5641	○	○	○	○	2200μ/200V	0.43μ
	PS70J	30A250V	X5642	X5636	○	○	○	○	2200μ/200V	0.47μ
	PS70U	25A250V	X5643	X5637	○	○	○	○	3300μ/180V	0.47μ
	PS70H	T10AH	X5644	X5638	○	○	○	○	2200μ/200V	0.39μ
	PS70A	T10AH	X5645	X5637	-	-	-	-	2800μ/200V	0.43μ
	PS70K	T10AH	X5644	X5638	-	-	-	-	2800μ/200V	0.39μ
	PS70L	T10AH	X5644	X5638	-	-	-	-	2800μ/200V	0.43μ

28CC1-8833617

■ P5000S / P7000S OVERALL CIRCUIT DIAGRAM 5/5 (LED, OUT1, OUT2, COIL, VR, PSW)



POWER AMPLIFIER P 5000S/P 7000S

SERVICE MANUAL



P5000S



P7000S

■ CONTENTS (目次)

SPECIFICATIONS (総合仕様).....	3/4
DIMENSIONS (寸法図).....	5
PERFORMANCE GRAPHS (特性図).....	5
PANEL LAYOUT (パネルレイアウト).....	6
CIRCUIT BOARD LAYOUT&WIRING (ユニットレイアウト&結線図).....	8
DISASSEMBLY PROCEDURE (分解手順).....	14
IC BLOCK DIAGRAM (ICブロック図).....	21
CIRCUIT BOARDS (シート基板図).....	22
INSPECTION (検査).....	35
PARTS LIST	
BLOCK DIAGRAM (ブロックダイアグラム)	
WIRING (基板結線図)	
OVERALL CIRCUIT DIAGRAM (総回路図)	

PA 011698

P5000S: 200307-155000
P7000S: 200307-185000



HAMAMATSU, JAPAN

IMPORTANT NOTICE

This manual has been provided for the use of authorized Yamaha Retailers and their service personnel. It has been assumed that basic service procedures inherent to the industry, and more specifically Yamaha Products, are already known and understood by the users, and have therefore not been restated.

WARNING: Failure to follow appropriate service and safety procedures when servicing this product may result in personal injury, destruction of expensive components and failure of the product to perform as specified. For these reasons, we advise all Yamaha product owners that all service required should be performed by an authorized Yamaha Retailer or the appointed service representative.

IMPORTANT: This presentation or sale of this manual to any individual or firm does not constitute authorization, certification, recognition of any applicable technical capabilities, or establish a principal-agent relationship of any form.

The data provided is believed to be accurate and applicable to the unit(s) indicated on the cover. The research engineering, and service departments of Yamaha are continually striving to improve Yamaha products. Modifications are, therefore, inevitable and changes in specification are subject to change without notice or obligation to retrofit. Should any discrepancy appear to exist, please contact the distributor's Service Division.

WARNING: Static discharges can destroy expensive components. Discharge any static electricity your body may have accumulated by grounding yourself to the ground bus in the unit (heavy gauge black wires connect to this bus).

IMPORTANT: Turn the unit OFF during disassembly and parts replacement. Recheck all work before you apply power to the unit.

WARNING: CHEMICAL CONTENT NOTICE!

The solder used in the production of this product contains LEAD. In addition, other electrical / electronic and / or plastic (where applicable) components may also contain traces of chemicals found by the California Health and Welfare Agency (and possibly other entities) to cause cancer and / or birth defects or other reproductive harm.

DO NOT PLACE SOLDER, ELECTRICAL / ELECTRONIC OR PLASTIC COMPONENTS IN YOUR MOUTH FOR ANY REASON WHATSOEVER SO EVER!

Avoid prolonged, unprotected contact between solder and your skin! When soldering, do not inhale solder fumes or expose eyes to solder / flux vapor!

If you come in contact with solder or components located inside the enclosure of this product, wash your hands before handling food.


IMPORTANT NOTICE FOR THE UNITED KINGDOM

Connecting the Plug and Cord

WARNING: THIS APPARATUS MUST BE EARTHED
IMPORTANT: The wires in this mains lead are coloured in accordance with the following code:

GREEN-AND-YELLOW	:	EARTH
BLUE	:	NEUTRAL
BROWN	:	LIVE

As the colours of the wires in the mains lead of this apparatus may not correspond with the coloured markings identifying the terminals in your plug proceed as follows:


The wire which is coloured GREEN-and-YELLOW must be connected to the terminal in the plug which is marked by the letter E or by the safety earth symbol  or colored GREEN or GREEN-and-YELLOW.


The wire which is coloured BLUE must be connected to the terminal which is marked with the letter N or coloured BLACK.

The wire which is coloured BROWN must be connected to the terminal which is marked with the letter L or coloured RED.

• This applies only to products distributed by Yamaha-Kemble Music (U.K.) Ltd. (3 wires)

WARNING

Components having special characteristics are marked  and must be replaced with parts having specification equal to those originally installed.

 印の商品は、安全を維持するために重要な部品です。交換する場合は、安全のため必ず指定の部品をご使用下さい。

■ SPECIFICATIONS

		P5000S	P7000S
Power Output Level (Rated Power)	8 Ω/STEREO	525 W × 2	750 W × 2
	1 kHz 4 Ω/STEREO	750 W × 2	1100 W × 2
	THD + N = 1%	1500 W × 1	2200 W × 1
-----		500 W × 2	700 W × 2
20 Hz – 20 kHz	4 Ω/STEREO	700 W × 2	650 W × 2 (European Model)
	THD + N = 0.1%	1400 W × 1	950 W × 2
-----		1300 W × 2	1900 W × 1
1 kHz	2 Ω/STEREO	1300 W × 2	1600 W × 2
	20 ms non-clip 4 Ω/BRIDGE	2600 W × 1	3200 W × 1
Power Bandwidth	Half Power	10 Hz – 40 kHz (THD + N = 0.5 %)	
Total Harmonic Distortion (THD + N)	4 Ω – 8 Ω/STEREO	≤ 0.1 %	
	20 Hz – 20 kHz, Half Power 8 Ω/BRIDGE		
Frequency Response	RL = 8 Ω, Po = 1 W	0 dB, +0.5 dB, -1 dB f = 20 Hz – 50 kHz	
Intermodulation distortion (IMD)	4 Ω – 8 Ω/STEREO	≤ 0.1 %	
	60 Hz:7 kHz, 4:1, Half Power 8 Ω/BRIDGE		
Channel Separation	Half Power RL = 8 Ω 1 kHz input 600 Ω shunt	≥ 70 dB	
Residual Noise	Vol. min. 20 Hz – 20 kHz (DIN AUDIO)	≤ -70 dBu	
SN Ratio	20 Hz – 20 kHz (DIN AUDIO)	103 dB	104 dB
Damping Factor	RL = 8 Ω, 1 kHz	≥ 350	
Sensitivity (Vol. max.) Rated Power 8 Ω		+6 dBu	+8 dBu
Voltage Gain (Vol. max.)		32.1 dB	
Input Impedance		30 kΩ/balanced, 15 kΩ/unbalanced	
Controls	Front Panel	POWER switch (Push on/Push off) Two 31-step Volume control knobs (one per ch)	
	Rear Panel	MODE switch (STEREO/PARALLEL/BRIDGE) Two FILTER switches (SUBWOOFER/LOW CUT/OFF) Two fc knobs (25 to 150 Hz) YS Processing switch (ON/OFF)	
Connectors	INPUT	XLR-3-31 jacks (one per ch) 1/4-inch TRS phone jacks (one per ch)	
	OUTPUT	Speakon jacks (one per ch) 5-way binding posts 1/4-inch phone jacks (one per ch)	
Indicators	POWER	1 (Green)	
	PROTECTION	1 (Red)	
	TEMP	1 (Red) (heatsink temp ≥ 85°C)	
	CLIP	2 (Red)	
	SIGNAL	2 (Green)	
	YS Processing	1 (Yellow)	
Load protection		POWER switch ON/OFF muting	
		DC-fault power supply shutdown	
Amp. protection		Temp. detection (heat sink temp ≥ 90°C), VI limiter (RL ≤ 1 Ω)	
Limiter		Comp: THD ≥ 0.5 %	
Cooling		Dual variable-speed fan	
Power Requirements	United States & Canada	120 V, 60 Hz	
	Europe	230 V, 50 Hz	
	Australia	240 V, 50 Hz	
Power Consumption	Idling	35 W	35 W
	1/8 output power, 4 Ω	550 W	700 W
	Maximum output, 4 Ω	3000 W	4000 W
Dimensions (W × H × D)		480 × 88 × 456 mm	
Weight		12 kg	
Included Accessories		Security cover (with a hex wrench), Owner's Manual	

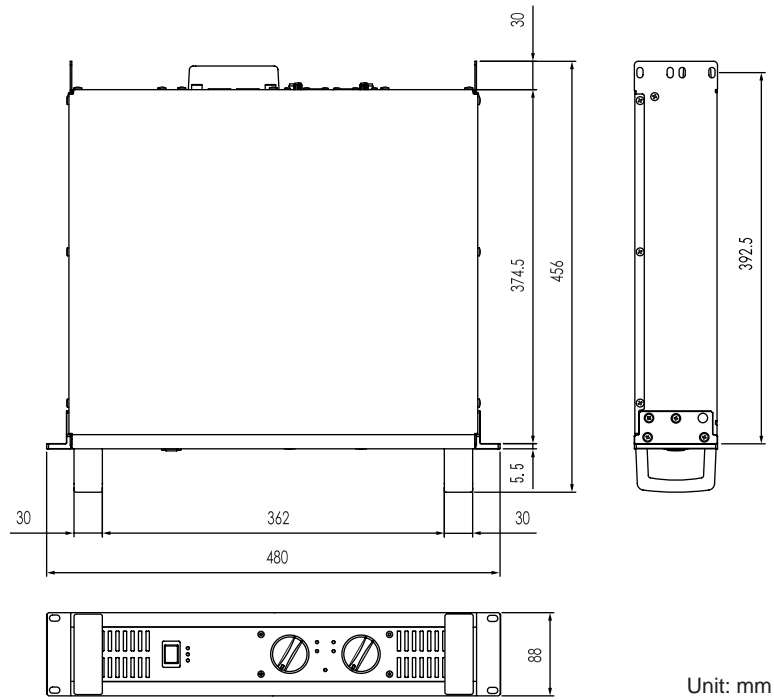
0 dBu=0.775 Vrms, Half Power=1/2 Power Output Level (Rated Power)

■ 総合仕様

		P5000S	P7000S
出力レベル	8 /STEREO	525 W × 2	750 W × 2
1 kHz	4 /STEREO	750 W × 2	1100 W × 2
THD + N = 1 %	8 /BRIDGE	1500 W × 1	2200 W × 1
20 Hz ~ 20 kHz	8 /STEREO	500 W × 2	700 W × 2
THD + N = 0.1 %	4 /STEREO	700 W × 2	950 W × 2
1 kHz	8 /BRIDGE	1400 W × 1	1900 W × 1
20 ms nonclip	2 /STEREO	1300 W × 2	1600 W × 2
	4 /BRIDGE	2600 W × 1	3200 W × 1
出力帯域幅	Half Power	10 Hz ~ 40 kHz (THD + N = 0.5 %)	
全高調波歪率 (THD + N)	4 ~ 8 /STEREO	0.1 %	
20 Hz ~ 20 kHz、Half Power	8 /BRIDGE		
周波数特性	RL = 8 、 Po = 1 W	0 dB、+0.5 dB、-1 dB f = 20 Hz ~ 50 kHz	
混変調歪率	4 ~ 8 /STEREO	0.1 %	
60 Hz : 7 kHz、4 : 1、Half Power	8 /BRIDGE		
チャンネル間セパレーション ボリューム max.	Half Power RL = 8 1 kHz 入力 600 シェント	70 dB	
残留ノイズ ボリューム min.	20 Hz ~ 20 kHz (DIN AUDIO)	-70 dBu	
SN 比	20 Hz ~ 20 kHz (DIN AUDIO)	103 dB	104dB
ダンピングファクター	RL = 8 、 1 kHz	350	
入力感度 ボリューム max. Rated Power	8	+6 dBu	+8 dBu
ボルテージゲイン ボリューム max.		32.1 dB	
入力インピーダンス		30 k /バランス型、15 k /アンバランス型	
コントロール	フロントパネル	POWER スイッチ : ON/OFF ボリューム : 31 ポジション (チャンネル単位) × 2	
	リアパネル	MODE スイッチ : STEREO/PARALLEL/BRIDGE フィルタースイッチ : (SUB WOOFER/LOW CUT/OFF) × 2 fc = (25 Hz ~ 150 Hz) × 2 YS Processing スイッチ (ON/OFF)	
コネクター	INPUT	XLR-3-31 端子 (チャンネル単位) 1/4 インチ TRS フォーン端子 (チャンネル単位)	
	OUTPUT	スピコン (チャンネル単位) 5 ウェイバインディングポスト、 1/4 インチフォーン端子 (チャンネル単位)	
インジケータ	POWER	× 1 (緑)	
	PROTECTION	× 1 (赤)	
	TEMP	× 1 (赤) (ヒートシンク温度 85)	
	CLIP	× 2 (赤)	
	SIGNAL	× 2 (緑)	
	YS Processing	× 1 (黄)	
ロードプロテクション		POWER スイッチオン / オフ、ミュート DC 検出 (シャットダウン)	
アンププロテクション		温度検出 (ヒートシンク温度 90) VI リミッタ - (RL 1)	
リミッター		コンプ : THD 0.5 %	
クーリング		連続可変式ファン (デュアル)	
電源		100 V、50/60 Hz	
消費電力	無信号	35 W	35 W
	1/8 出力、4	550 W	700 W
	最大出力、4	3000 W	4000 W
最大外形寸法 (W × H × D)		480 × 88 × 456 mm	
質量		12 kg	
付属品		セキュリティカバー (6 角レンチを含む) 取扱説明書	

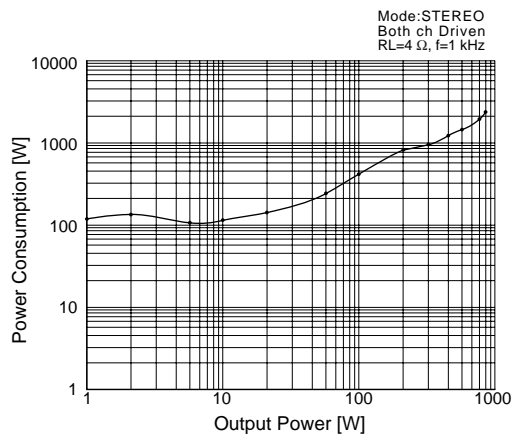
0 dBu = 0.775 Vrms、Half Power = 1/2 Power Output Level (Rated Power)

■ DIMENSIONS (寸法図)

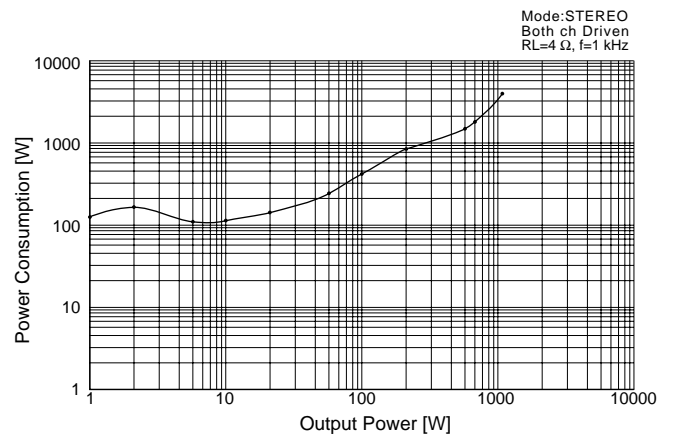


■ PERFORMANCE GRAPHS (特性図)

P5000S

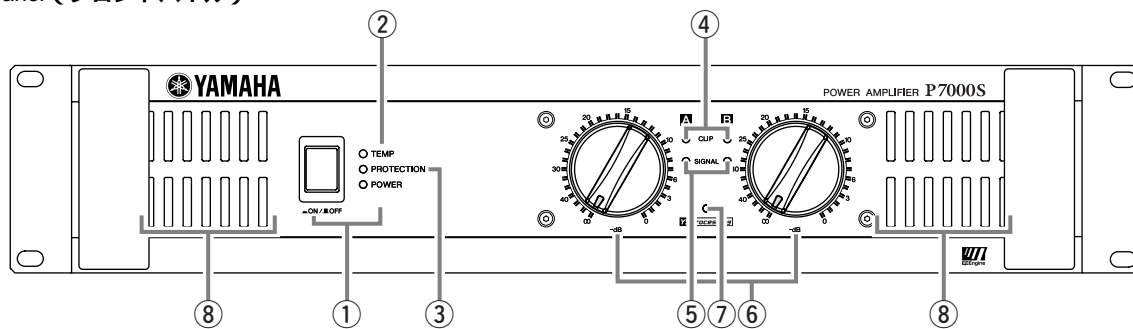


P7000S



■ PANEL LAYOUT (パネルレイアウト)

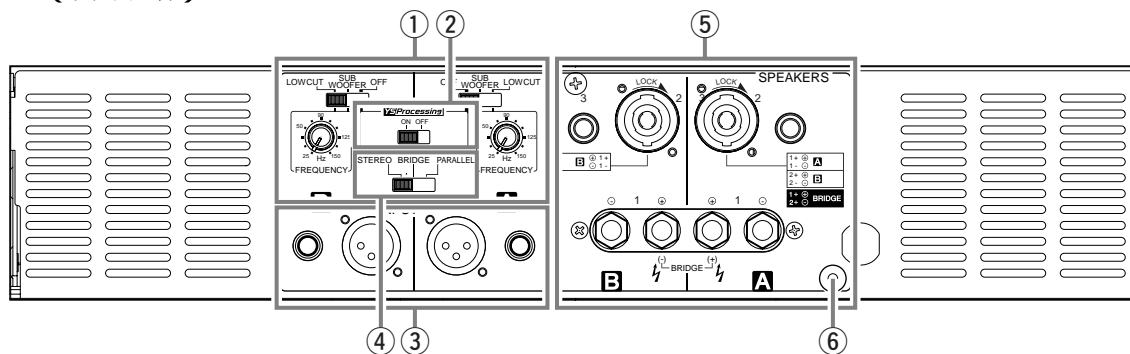
• Front Panel (フロントパネル)



- ① [POWER] switch and indicator
- ② [TEMP] indicator
- ③ [PROTECTION] indicator
- ④ [CLIP] indicator
- ⑤ [SIGNAL] indicator
- ⑥ Volume control knobs
- ⑦ [**YSP Processing**] indicator
- ⑧ Air intakes

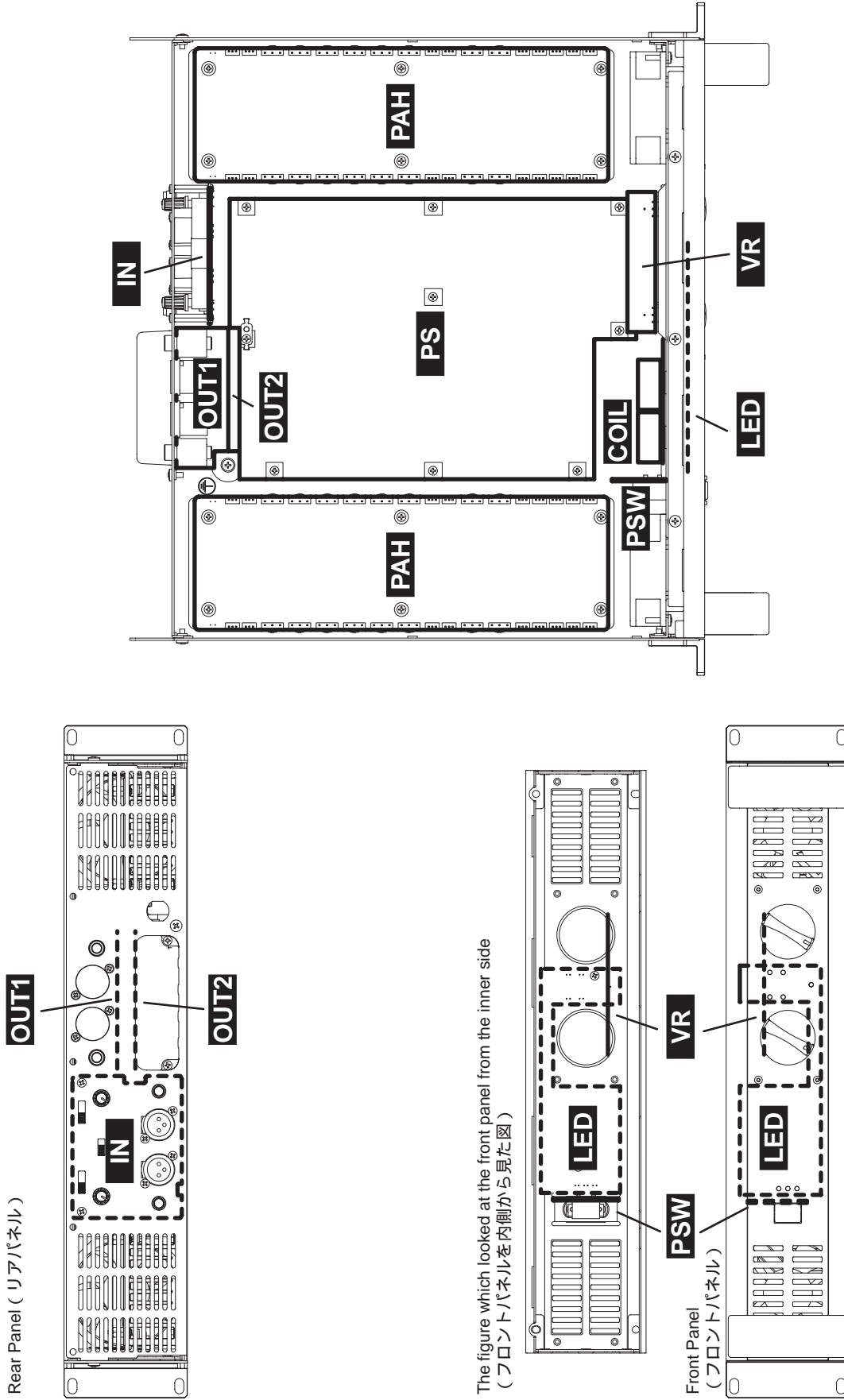
- ① [POWER]スイッチ/インジケータ
- ② [TEMP]インジケータ
- ③ [PROTECTION]インジケータ
- ④ [CLIP]インジケータ
- ⑤ [SIGNAL]インジケータ
- ⑥ ボリューム
- ⑦ [**YSP Processing**]インジケータ
- ⑧ 吸気口

• Rear Panel (リアパネル)

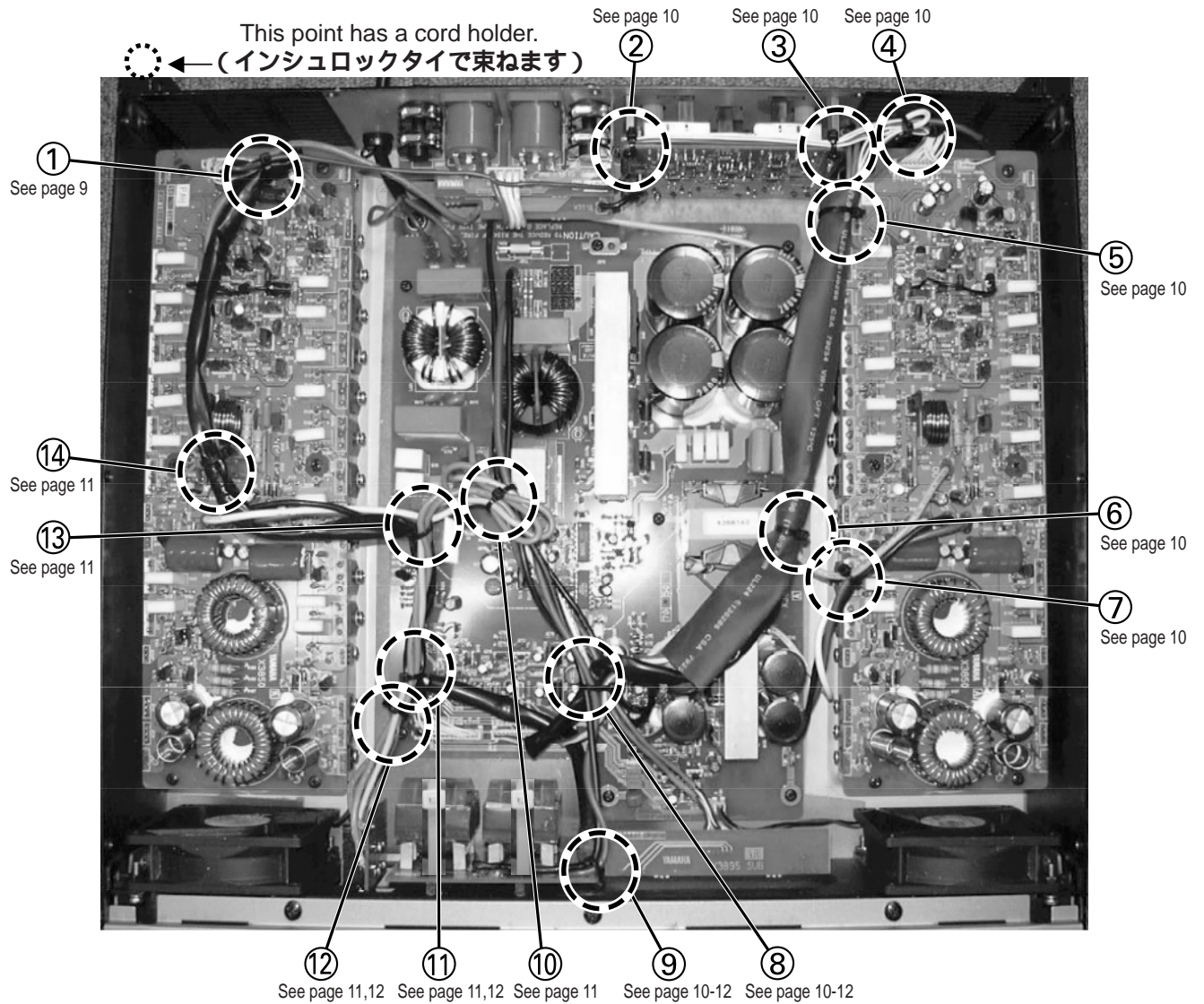


- | | |
|---|--|
| ① FILTER switch and[FREQUENCY] adjustment knob
(One pair for each channel) | ① FILTER スイッチ、[FREQUENCY]調整つまみ
(チャンネルA、B) |
| ② [VSProcessing] ON/OFF switch | ② [VSProcessing]切り替えスイッチ |
| ③ [INPUT] jacks (Channels A, B) | ③ [INPUT]端子(チャンネルA、B) |
| ④ [STEREO/PARALLEL/BRIDGE] switch | ④ [STEREO/PARALLEL/BRIDGE]モード切り替えスイッチ |
| ⑤ [SPEAKERS] jacks | ⑤ [SPEAKERS]端子 |
| ⑥ GND terminal | ⑥ GND 端子 |

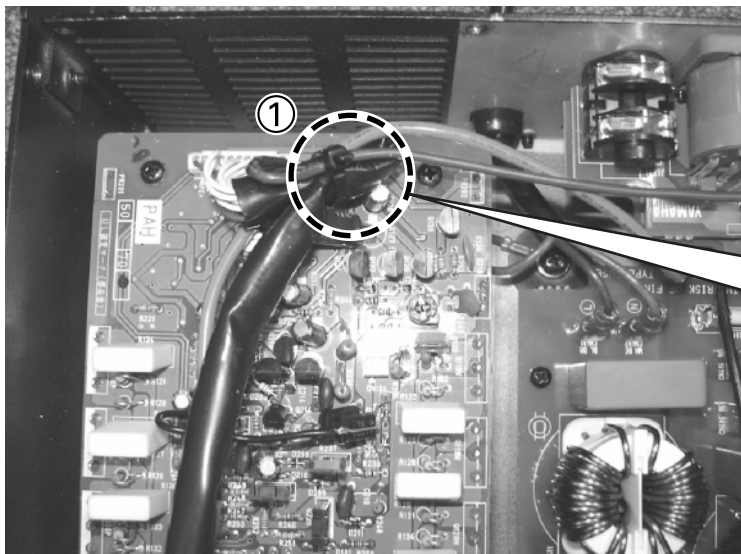
■ CIRCUIT BOARD LAYOUT&WIRING (ユニットレイアウト&結線図)



• Whole wiring drawing (全体の結線図) <Rev. 06>



• Detail drawing ① (部詳細)

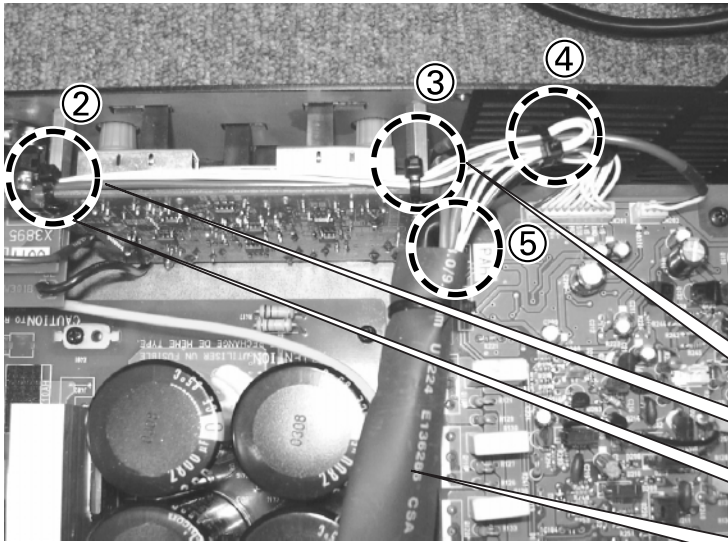


* The following "wiring ass'y" are tied.
 (下記ワイヤーを束ねます)

- | | |
|---|---------------------------------------|
| ① | WA87380,WA87410 (VA19550),
WA87400 |
|---|---------------------------------------|



• Detail drawing ②③④⑤ (部詳細)



* The following "wiring ass'y" are tied.
(下記ワイヤーを束ねます)

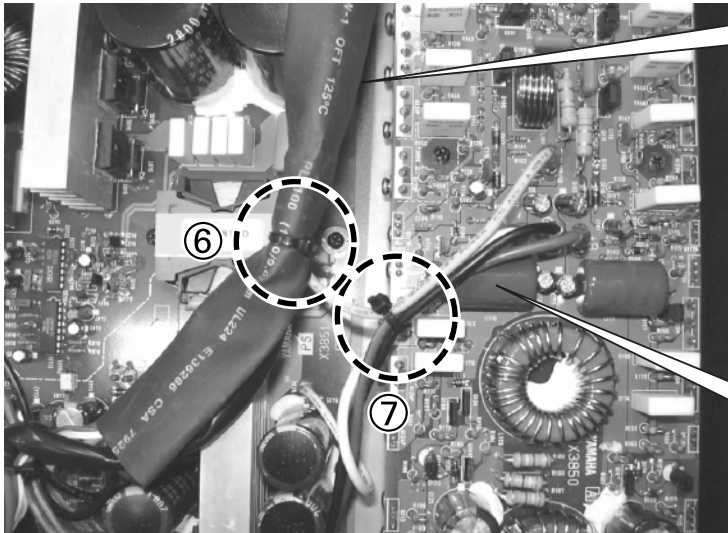
②	WA87410(VA19560,VA14660,VA14730)
③	WA87410(VA19560,VA14660,VA14730)
④	WA87410(VA19560,VA14660,VA14730),WA87400
⑤	WA01090,WA87400,WA87410,(VA14660,VA14730)

ATTENTION:
Tie the wires (WA87410) at the side of switch(WA87410ワイヤーは各スイッチの横で束ねます)

Soldering (WA01180) (半田付け)

ATTENTION:
WA87410 (VA14660,VA14730),and WA01090 are through the WB07260 (TUBE L=240mm)
(WA87410,WA01090ワイヤーはWB07260 (長さ240mmのチューブに通します)

• Detail drawing ⑥⑦ (部詳細)

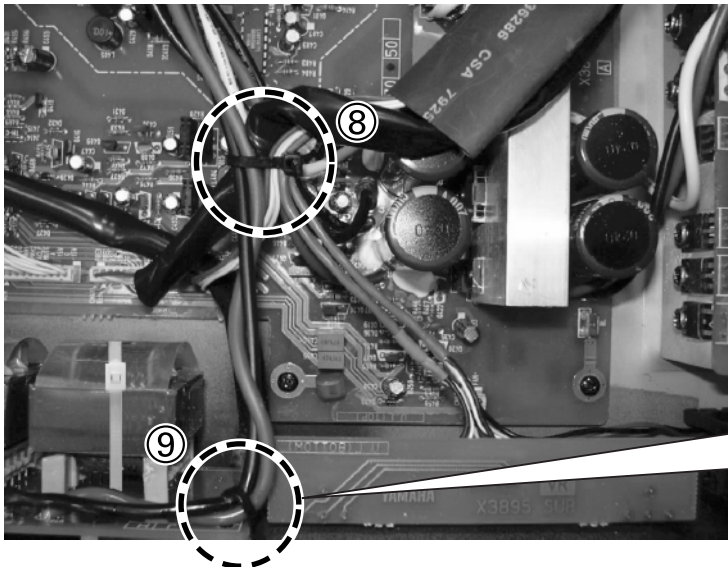


* The following "wiring ass'y" are tied.
(下記ワイヤーを束ねます)

⑥	WA01090,WA87370,WA87400,WA87410 (VA14660,VA14730)
⑦	WA87320,WA87330,WA87340,WA87370

Need twist of two rotations.
(2回撚り合わせます)
(WA87320,WA87330,WA87340)

• Detail drawing ⑧⑨ (部詳細)

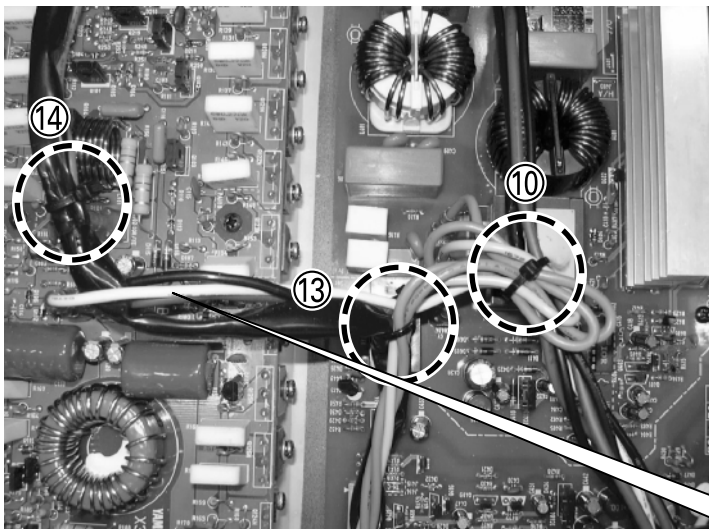


* The following "wiring ass'y" are tied.
(下記ワイヤーを束ねます)

⑧	WA01090,WA87400,WA87410 (VA14660,VA14730),WA87290,WA87310,WA87300*2, COIL WIRING
⑨	COIL WIRING



• Detail drawing ⑩ ⑬ ⑭ (部詳細)



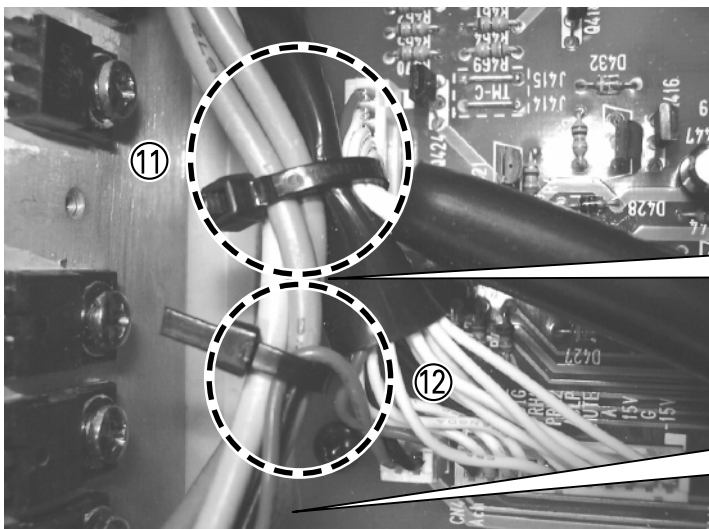
* The following "wiring ass'y" are tied.
(下記ワイヤーを束ねます)

⑩	WA87290,WA87300*2,WA87310,WA01110,WA01120,COIL WIRING
⑬	WA87290,WA87300,WA87310,WA01110,WA01120,WA87400
⑭	WA87400,WA87380

ATTENTION:
The COIL WIRING isn't at "U","A","K" destination.(U,A,K仕向はコイルからのワイヤーはありません)

Need twist of two rotations.
(2回撚り合わせます)
(WA87290,WA87300,WA87310)

• Detail drawing ⑪ ⑫ (部詳細)



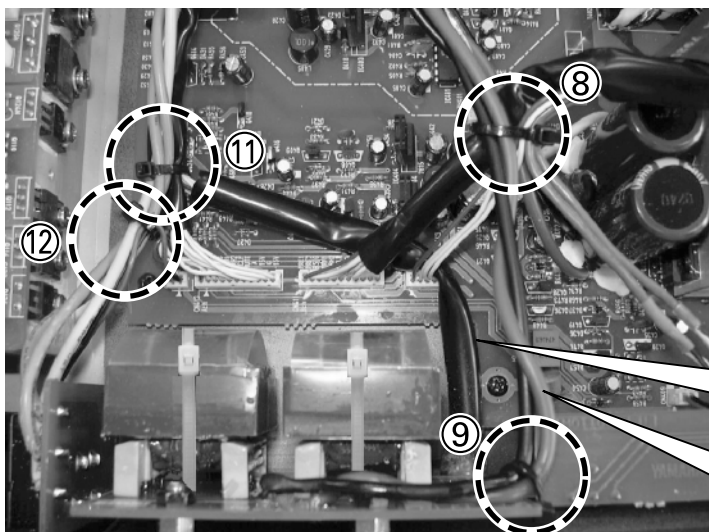
* The following "wiring ass'y" are tied.
(下記ワイヤーを束ねます)

⑪	WA01110,WA01120,WA87400,WA87420
⑫	WA01110,WA01120,FAN WIRING

Need twist of three rotations.
(3回撚り合わせます)
(WA01110,WA01120)

The wire of FAN has to be tense condition from the FAN to the tie of No.12
(ファンからのワイヤーは張った状態にして⑫で束ねます)

• Point of Notice (H,B destination)(H,B仕向の注意点)



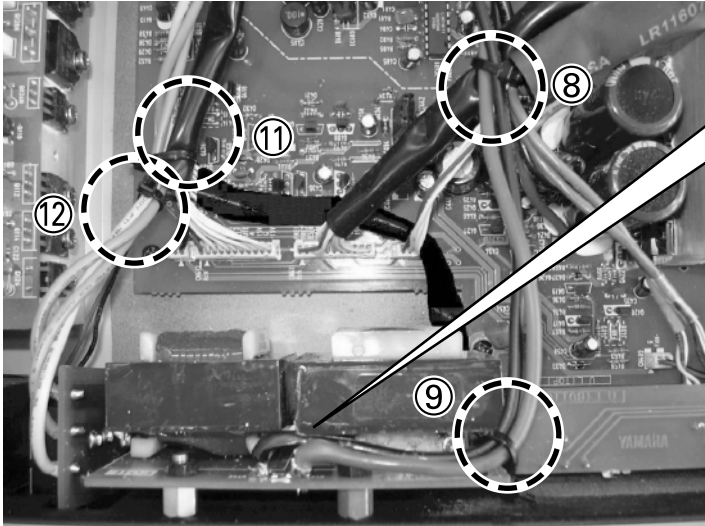
The wires of following have to be tense condition.
(下記ワイヤーは張った状態にして束ねます)

1. From the FAN to the tie of No.12(FANから⑫部)
2. From PSW to the tie of No.12(PSWから⑫部)
3. From CN412 to the tie of No.11(CN412から⑪部)
4. From CN411, CN408 to the tie of No.8.
(CN411,CN408から⑧部)
5. From tie of No.9 to the tie of No.8(⑨部から⑧部)

ATTENTION:
Please wire a "WA87420" as a photograph.
(ワイヤーWA87420は写真のようにします)

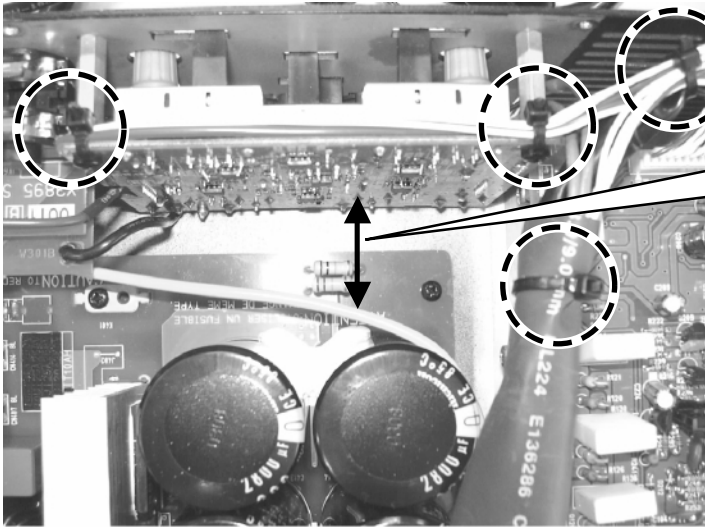
Need twist of three rotations.
(Wire of coil) (3回撚り合わせます)

• Point of Notice (J destination)(J仕向の注意点)



Setting of coil sheet is that there is the start of wire (W701,W702) at the side of top.
(コイルシートのワイヤーは上側へ引き出します)

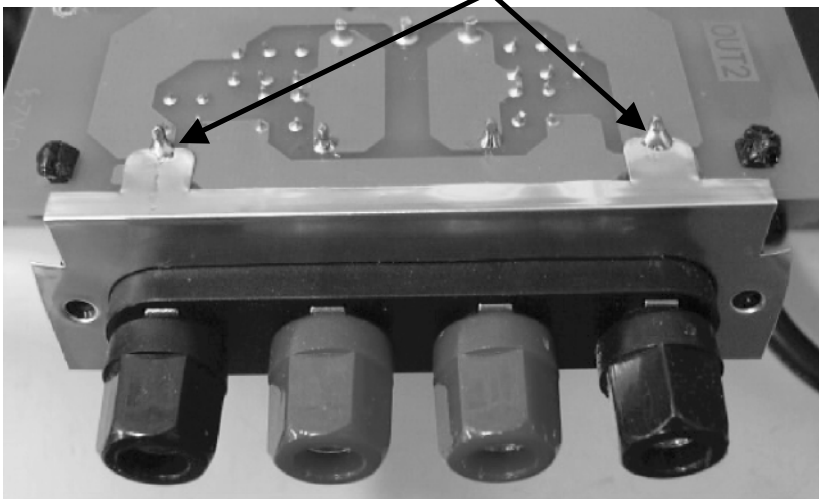
• Point of Notice (注意点)



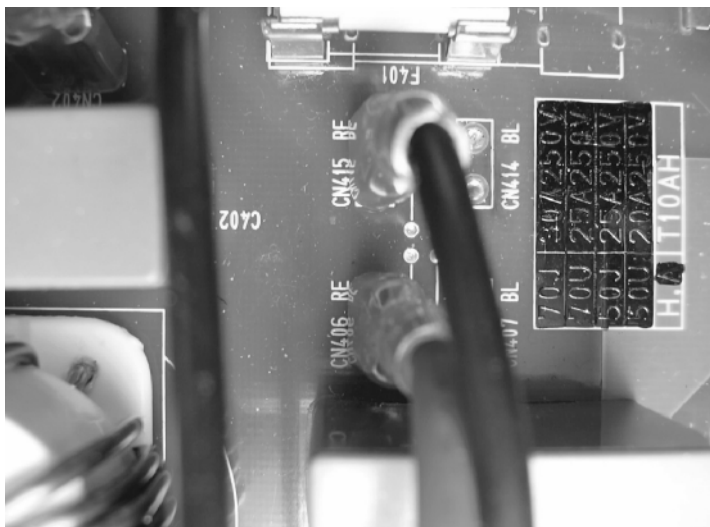
ATTENTION:
Please detach the wire of WA87370 from IN sheet.
(WA87370ワイヤーはINシートから離してください)

• Detail drawing OUT 2 (OUT2シートの詳細)

Soldering EARTHFILM.
(アースフィルムを半田付けします)



- Connect of coils. (コイルワイヤーの接続)



*Regarding to connect the wire of coil.
(コイルワイヤーの接続について)

Please connect the Red wire to CN406.
Please connect the Black wire to CN415.

(赤いワイヤーはCN406,黒いワイヤー
はCN415へ接続してください)

■ DISASSEMBLY PROCEDURE (分解手順)

1. Rack Angle (Time required: about 1 min.)

- 1-1 Remove the three (3) screws marked [430] for each side.

The rack angle can then be removed. (Fig.1)

2. Top Cover (Time required: about 2 min.)

- 2-1 Remove the eleven (11) screws marked [480].

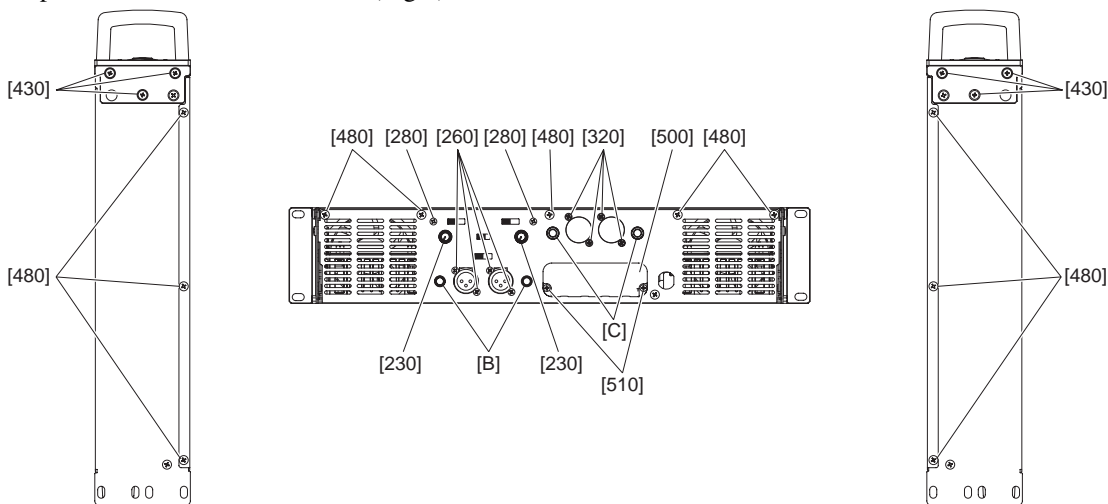
The top cover can then be removed. (Fig.1)

1. ラックアングル(所要時間: 約1分)

- 1-1 [430] のネジを左右 3 本ずつ外し、ラックアングルを外します。(Fig.1)

2. トップカバー(所要時間: 約2分)

- 2-1 [480] のネジ 11 本を外し、トップカバーを外します。(Fig.1)



[230]: VR Knob (V9665200) ノブVR (S)

[260]: Bonding Tapping Screw-B 3.0X8 MFZN2BL (VN413300) ボンディングBタイト

[280]: Bind Head Tapping Screw-S 3.0X6 MFZN2BL (EP630210) +バインドSタイト

[320]: Flat Head Tapping Screw-B 3.0X8 MFZN2BL (EP600790) +皿Bタイト

[430]: Bind Head Screw 4.0X12 MFZN2BL (VB132700) +バインド小ネジ

[480]: Bind Head Tapping Screw-B 4.0X8 MFZN2BL (EG340190) +バインドBタイト

[510]: Bind Head Tapping Screw-S 3.0X6 MFZN2BL (EP630210) +バインドSタイト

(Fig.1)

3. PA Unit (Time required: about 5 min.)

- 3-1 Remove the rack angle. (See procedure 1.)

- 3-2 Remove the top cover. (See procedure 2.)

- 3-3 Remove the six screws marked [150] for each side from the bottom.

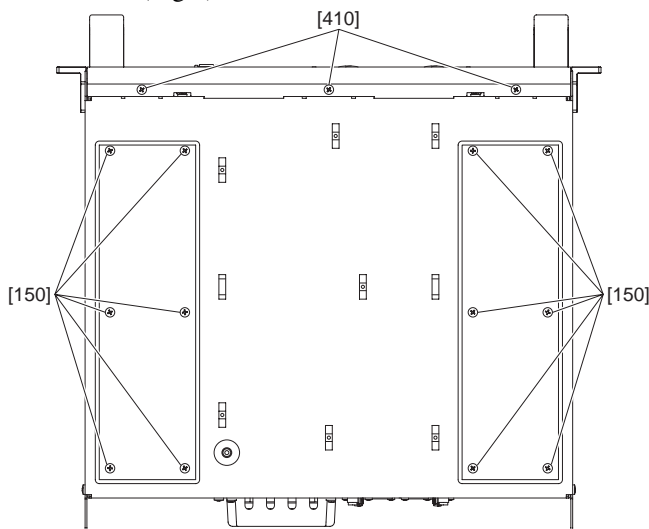
The PA units can then be removed. (Fig.2)

3. PA ユニット(所要時間: 約5分)

- 3-1 ラックアングルを外します。(1項参照)

- 3-2 トップカバーを外します。(2項参照)

- 3-3 本体の底面より [150] のネジを左右 6 本ずつ外し、各 PA ユニットを外します。(Fig.2)



[150]: Bind Head Tapping Screw-B 4.0X8 MFZN2BL (EG340190) +バインドBタイト

[410]: Bind Head Tapping Screw-B 4.0X8 MFZN2BL (EG340190) +バインドBタイト

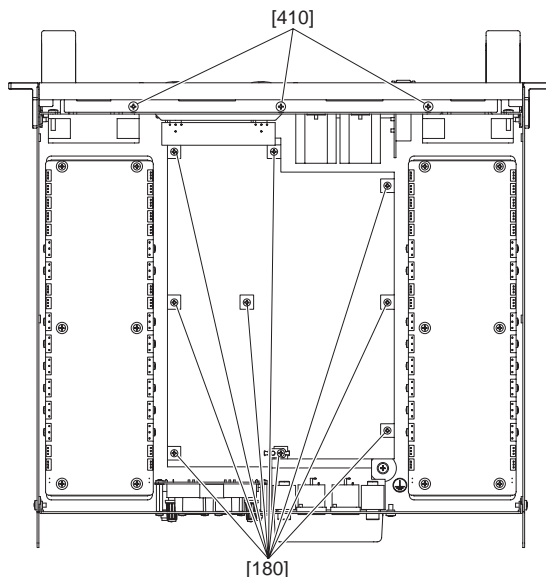
(Fig.2)

4. PS Circuit Board (Time required: about 5 min.)

- 4-1 Remove the rack angle. (See procedure 1.)
- 4-2 Remove the top cover. (See procedure 2.)
- 4-3 Remove the nine (9) screws marked [180].
The PS circuit board can then be removed. (Fig.3)

4. PS シート(所要時間: 約5分)

- 4-1 ラックアングルを外します。(1項参照)
- 4-2 トップカバーを外します。(2項参照)
- 4-3 [180] のネジ 9 本を外し、PS シートを外します。
(Fig.3)



[180]: Bind Head Tapping Screw-S 3.0X6 MFZN2BL (EP630210) +バインドSタイト
[410]: Bind Head Tapping Screw-B 4.0X8 MFZN2BL (EG340190) +バインドBタイト

(Fig.3)

5. IN Circuit Board (Time required: about 6 min.)

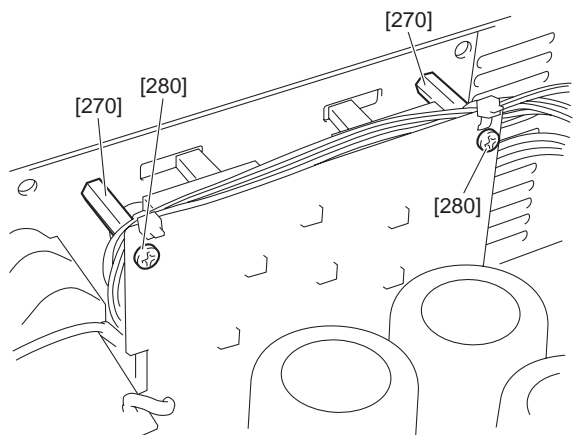
- 5-1 Remove the rack angle. (See procedure 1.)
- 5-2 Remove the top cover. (See procedure 2.)
- 5-3 Remove the four (4) screws marked [260] and the two (2) screws marked [280]. (Fig.1)
- 5-4 Remove the two (2) hexagonal nuts marked [B]. (Fig.1)
- 5-5 Remove the two (2) screws marked [280] to remove the two hex spacers marked [270]. (Fig.4)
- 5-6 Remove the two (2) VR knobs marked [230].(Fig.1)
- 5-7 Because the IN circuit board and the OUT2 circuit board are connected by the connector assembly W301, it removes the solder of IN circuit board terminal W301A or OUT2 circuit board terminal W301B.
The IN circuit board can then be removed.

5. IN シート(所要時間: 約6分)

- 5-1 ラックアングルを外します。(1項参照)
- 5-2 トップカバーを外します。(2項参照)
- 5-3 [260] のネジ 4 本と [280] のネジ 2 本を外します。(Fig.1)
- 5-4 [B] の六角ナット 2 個を外します。(Fig.1)
- 5-5 [280] のネジ 2 本を外し、[270] の六角スペーサーを外します。(Fig.4)
- 5-6 [230] のノブ 2 個を外します。(Fig.1)
- 5-7 OUT2シートと束線W301で接続されていますので、INシート側端子W301AまたはOUT2側端子W301Bのハンダを外してINシートを外します。

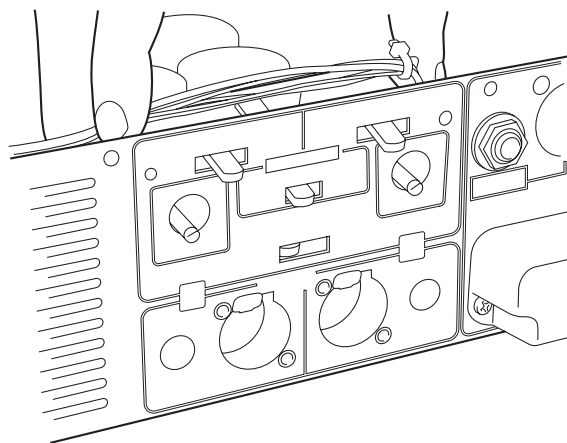
* IN シートを再度取り付けるときは、キャノンコネクタのツメをシャーシの外側に出した後、ジャックやスイッチをシャーシの穴に通します。(Fig.5)

* When reinstalling the IN circuit board, let the hooks of the XLM connectors out of the chassis at first, and inserts the jacks or switches into the holes on the chassis. (Fig.5)



[270]: Hex Spacer H=24.5 B=5.5 (WA058500) 六角スペーサー
 [280]: Bind Head Tapping Screw-S 3.0X6 MFZN2BL (EP630210) +バインドSタイト

(Fig.4)



(Fig.5)

6. OUT1 Circuit Board (Time required: about 4 min.)

- 6-1 Remove the rack angle. (See procedure 1.)
- 6-2 Remove the top cover. (See procedure 2.)
- 6-3 Remove the four (4) screws marked [320]. (Fig.1)
- 6-4 Remove the two (2) hexagonal nuts marked [C].
The OUT1 circuit board can then be removed. (Fig.1)

* The OUT1 circuit board and the OUT2 circuit board are connected by the connector assembly W607.

7. OUT2 Circuit Board (Time required: about 5 min.)

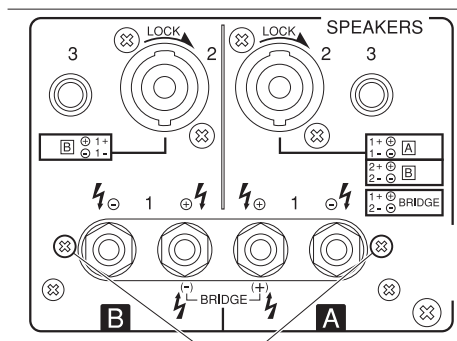
- 7-1 Remove the rack angle. (See procedure 1.)
- 7-2 Remove the top cover. (See procedure 2.)
- 7-3 Remove the OUT1 circuit board. (See procedure 6.)
- 7-4 Remove the two (2) screws marked [510].
Remove the SP terminal cover marked [500]. (Fig.1)
- 7-5 Remove the two (2) screws marked [310]. (Fig.6)
- 7-6 Because the OUT2 circuit board and the IN circuit board are connected by the connector assembly W301, it removes the solder of terminal W301B.
The OUT2 circuit board (and the OUT1 circuit board) can then be removed.

6. OUT1 シート(所要時間: 約4分)

- 6-1 ラックアングルを外します。(1項参照)
- 6-2 トップカバーを外します。(2項参照)
- 6-3 [320] のネジ 4 本を外します。(Fig.1)
- 6-4 [C] の六角ナット 2 個を外し、OUT1 シートを外します。(Fig.1)
- * OUT1シートとOUT2シートは束線W607で接続されています。

7. OUT2 シート(所要時間: 約5分)

- 7-1 ラックアングルを外します。(1項参照)
- 7-2 トップカバーを外します。(2項参照)
- 7-3 OUT1 シートを外します。(6項参照)
- 7-4 [510] のネジ 2 本を外し、[500] のSP ターミナルカバーを外します。(Fig.1)
- 7-5 [310] のネジ 2 本を外します。(Fig.6)
- 7-6 INシートと束線W301で接続されていますので、端子W301Bのハンダを外してOUT2 およびOUT1)シートを外します。



[310]

[310]: Bind Head Tapping Screw-B 3.0X12 MFZN2BL (VQ074600) +バインドBタイト

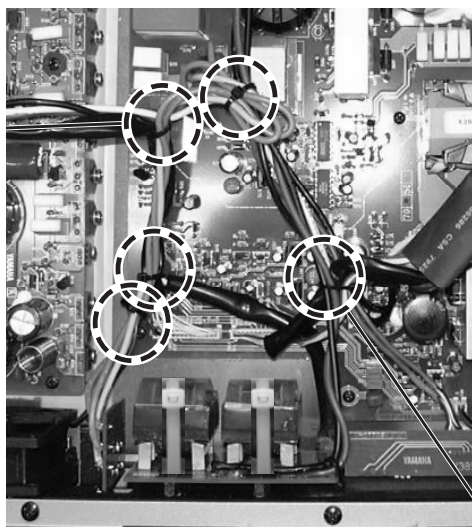
(Fig.6)

8. Front Panel part (Time required: about 5 min.)

- 8-1 Remove the rack angle. (See procedure 1.)
- 8-2 Remove the top cover. (See procedure 2.)
- 8-3 Cuts Cord Holder (5 Point) of the Connector assembly. (Fig.7)
- 8-4 Remove the six (6) screws marked [410]. (Fig.2, Fig.3)
- 8-5 Draws out in front of the front panel part.

8. フロントパネル部(所要時間: 約5分)

- 8-1 ラックアングルを外します。(1項参照)
- 8-2 トップカバーを外します。(2項参照)
- 8-3 束線のインシュロックタイ(5箇所)を切断します。(Fig.7)
- 8-4 [410]のネジ6本を外します。(Fig.2, Fig.3)
- 8-5 フロントパネルを前方へ引き出します。



Front Panel side (フロントパネル側)

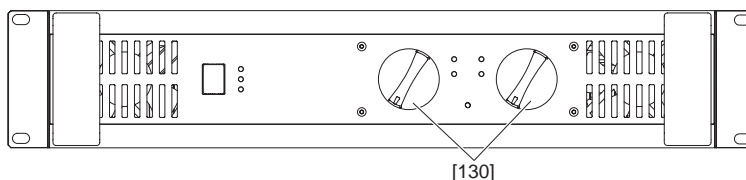
(Fig.7)

9. VR Circuit Board (Time required: about 6 min.)

- 9-1 Remove the front panel part. (See procedure 8.)
- 9-2 Remove the attenuator knobs marked [130]. (Fig.8)
- 9-3 Remove the two (2) hexagonal nuts marked [A]. The VR circuit board can then be removed. (Fig.9)

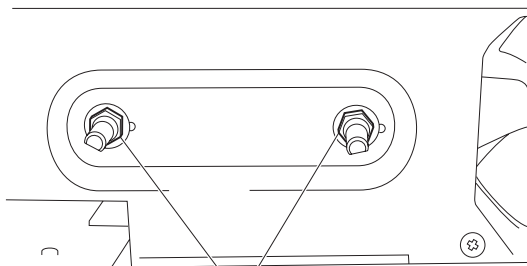
9. VR シート(所要時間: 約6分)

- 9-1 フロントパネル部を外します。(8項参照)
- 9-2 [130]のアッテネーターノブを外します。(Fig.8)
- 9-3 [A]の六角ナット2個を外し、VRシートを外します。(Fig.9)



[130]: Attenuator Knob (WA059300) アッテネーターノブ印刷上

(Fig.8)

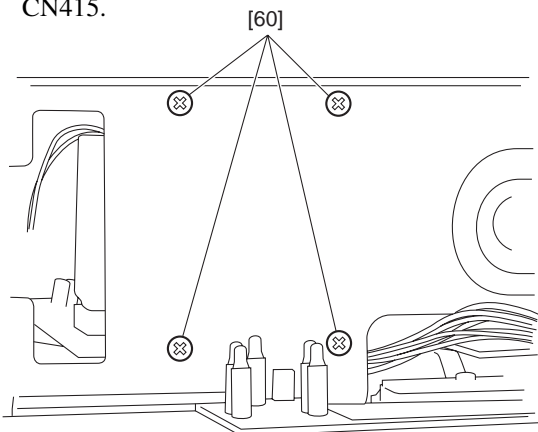


[A]
(Fig.9)

10. Coil circuit board (Time required: about 7 min.)

- 10-1 Remove the front panel part. (See procedure 8.)
- 10-2 Remove the PS circuit board. (See procedure 4.)
- 10-3 Remove the four (4) screws marked [60].
The coil circuit board can then be removed. (Fig.10)
- 10-4 Remove the four (4) hexagonal nuts marked [70].
The four (4) spacers can then removed marked [65]. (Fig.11)

* When reinstalling the COIL circuit board, connect the Red wire to CN406 and the Black wire to CN415.

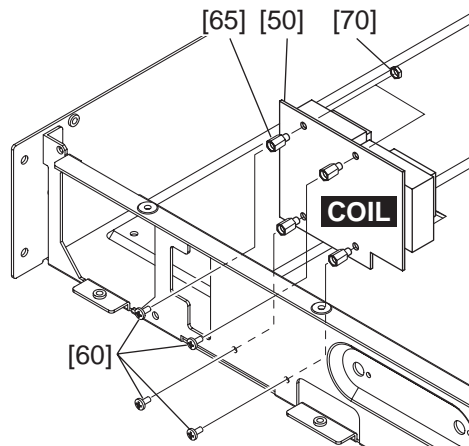


[60]: Bind Head Tapping Screw-S 3.0X8 MFZN2BL (EP600530) +バインドSタイト

(Fig.10)

10. コイルシート(所要時間: 約7分)

- 10-1 フロントパネル部を外します。(8項参照)
 - 10-2 PSシートを外します。(4項参照)
 - 10-3 [60]のネジ4本を外し、コイルシートを外します。(Fig.10)
 - 10-4 [70]の六角ナット4個を外し、[65]の六角スペーサ4本を外します。(Fig.11)
- * コイルを再度取り付けるとき、コイルシートのワイヤー '赤'はCN406、'黒'はCN415へ接続してください。



[60]: Bind Head Tapping Screw-S 3.0X8 MFZN2BL (EP600530) +バインドSタイト
[65]:Spacer H=7.5 B=5.5 (WA058400) 六角スペーサ
[70]:Hexagonal Nuts 4.0 MFZN2BL (03760280) 六角ナット

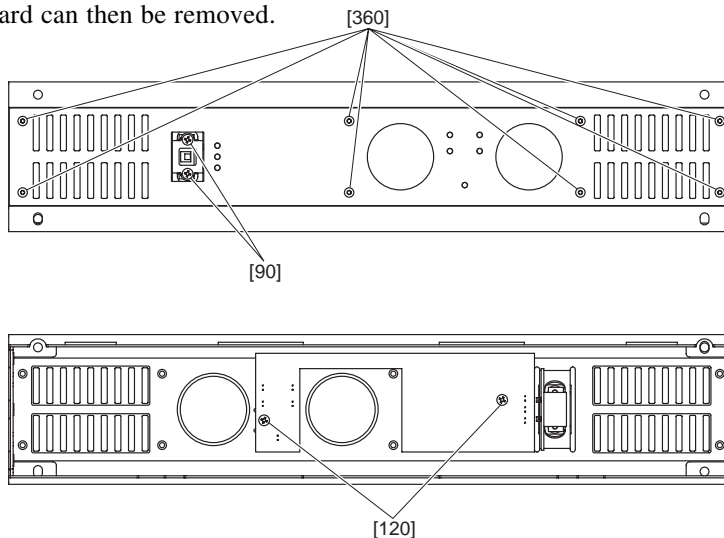
(Fig.11)

11. LED Circuit Board (Time required: about 5 min.)

- 11-1 Remove the front panel part. (See procedure 8.)
- 11-2 Remove the two (2) screws marked [120].
The LED circuit board can then be removed. (Fig.12)

11. LEDシート(所要時間: 約5分)

- 11-1 フロントパネル部を外します。(8項参照)
- 11-2 [120]のネジ2本を外してLEDシートを外します。(Fig.12)

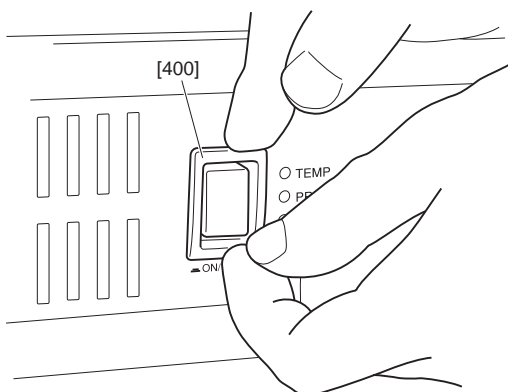


[90]: Bind Head Tapping Screw-S 3.0X6 MFZN2BL (EP630210) +バインドSタイト
[120]: Bind Head Tapping Screw-S 3.0X6 MFZN2BL (EP630210) +バインドSタイト
[360]: Hex Socket Tapping Screw-S3.0X10 MFZN2BL (WA673200) 六角穴付きSタイト

(Fig.12)

12. PSW Circuit Board (Time required: about 10 min.)

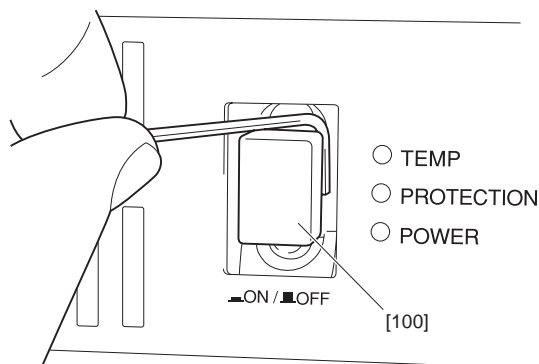
- 12-1 Remove the front panel part. (See procedure 8.)
 - 12-2 Remove the power switch escutcheon marked [400]. (Fig.13)
 - 12-3 It presses lightly from the panel back and remove the power switch knob marked [100].
- * When it is hard to remove the power switch knob, insert an L-shaped rod into the gap and pull out the knob as shown the illustration. (Fig.14)
Be careful so as not to bruise a panel and a knob at this time.
- 12-4 Remove the two (2) screws marked [90].
The PSW circuit board can then be removed. (Fig.12)



[400]: Power Switch Escutcheon (WA060700)
PSWエスカッション
(Fig.13)

12. PSW シート(所要時間: 約10分)

- 12-1 フロントパネル部を外します。(8項参照)
 - 12-2 [400] の PSW エスカッションを外します。(Fig.13)
 - 12-3 パネル裏面から軽く押し出して [100] の PSW ノブを外します。
- * 外しにくいときは、図で示すように隙間から L 型の棒などを挿入し、PSW ノブを引き出して外します。(Fig.14)
このときパネルやノブへ傷をつけない様に注意してください。
- 12-4 [90] のネジ 2 本を外し、PSW シートを外します。(Fig.12)



[100]: Power Switch Knob (WA059000) PSWノブ
(Fig.14)

13. Handle (Time required: about 6 min.)

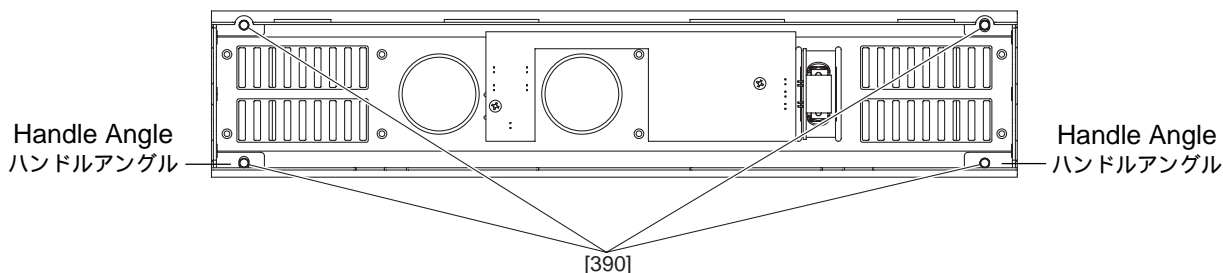
- 13-1 Remove the front panel part. (See procedure 8.)
- 13-2 Remove the two (2) screws marked [390] for each side.
The handles can then be removed. (Fig.15)

* The handle angle is removed simultaneously, at this time.

13. ハンドル(所要時間: 約6分)

- 13-1 フロントパネル部を外します。(8項参照)
- 13-2 [390] のネジを左右 2 本ずつ外し、ハンドルを外します。(Fig.15)

* この時、ハンドルアングルも同時に外れます。



[390]: Bind Head Screw SP 5.0X10 MFZN2BL (VU688100) +バインド小ネジ
(Fig.15)

14. Disassemble of Front Panel 1 and Front Panel 2 (Time required: about 8 min.)

- 14-1 Remove the front panel part. (See procedure 8.)
- 14-2 Remove the handles. (See procedure 13.)
- 14-3 Remove the eight (8) hex socket tapping screws marked [360].
The front panel 1 and the front panel 2 can then be disassembled. (Fig.12)

15. Fan (Time required: about 12 min.)

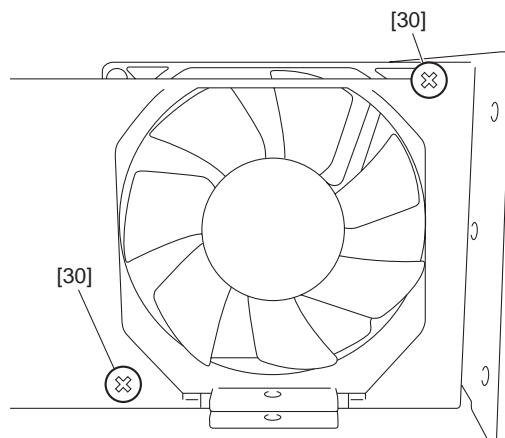
- 15-1 Remove the front panel part. (See procedure 8.)
- 15-2 Remove the PA unit located on the same side as the fan to remove. (See procedure 3.)
- 15-3 Remove the two (2) screws marked [30] for each side.
Fans can then be removed. (Fig.16)

14. フロントパネル 1印刷上り、フロントパネル 2印刷上りの分解(所要時間: 約8分)

- 14-1 フロントパネル部を外します。(8項参照)
- 14-2 ハンドルを外します。(13項参照)
- 14-3 [360] の六角穴付き S タイト 8 本を外し、フロントパネル 1印刷上りとフロントパネル 2印刷上りを分解します (Fig.12)。

15. DC ファン(所要時間: 約12分)

- 15-1 フロントパネル部を外します。(8項参照)
- 15-2 外す DC ファンと同じ側の PA ユニットを外します。(3項参照)
- 15-3 [30] のネジを左右 2 本ずつ外し、DC ファンを外します。(Fig.16)



[30]: Bind Head Screw SP 4.0X16 MFZN2Y (VB764900) +バインド小ネジ

(Fig.16)

■ IC BLOCK DIAGRAM (ICブロック図)

• NJM2068MD-T1 (XJ553A00)

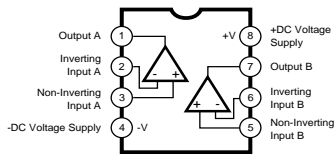
Dual Operational Amplifier

P5000S IN: IC301, IC302, IC303, IC304,
IC305, IC306, IC307

PAH: IC201

P7000S IN: IC301, IC302, IC303, IC304,
IC305, IC306, IC307

PAH: IC201

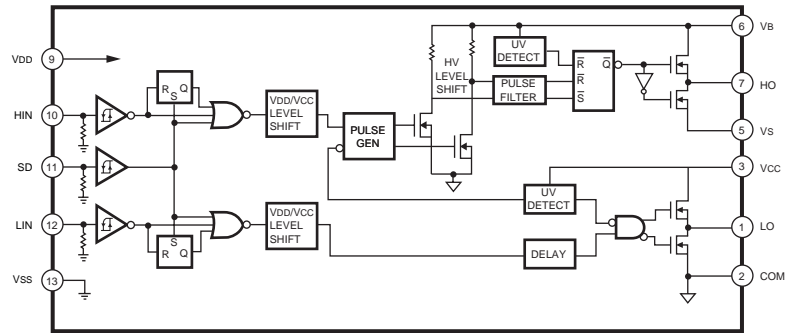
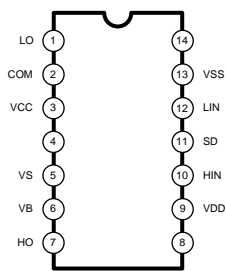


• IR2110 (X2382A00)

DRIVER

P5000S PS: IC402

P7000S PS: IC402

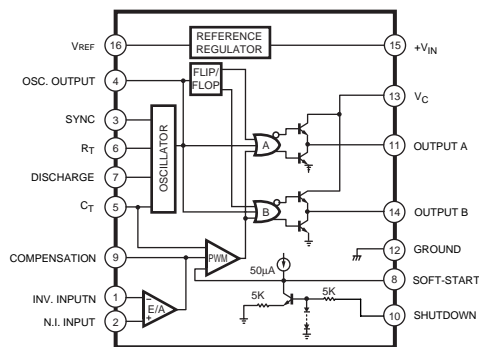
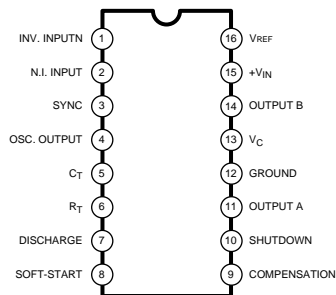


• SG3525AN (X2383A00)

Regulating Pulse Width Modulator

P5000S PS: IC401

P7000S PS: IC401

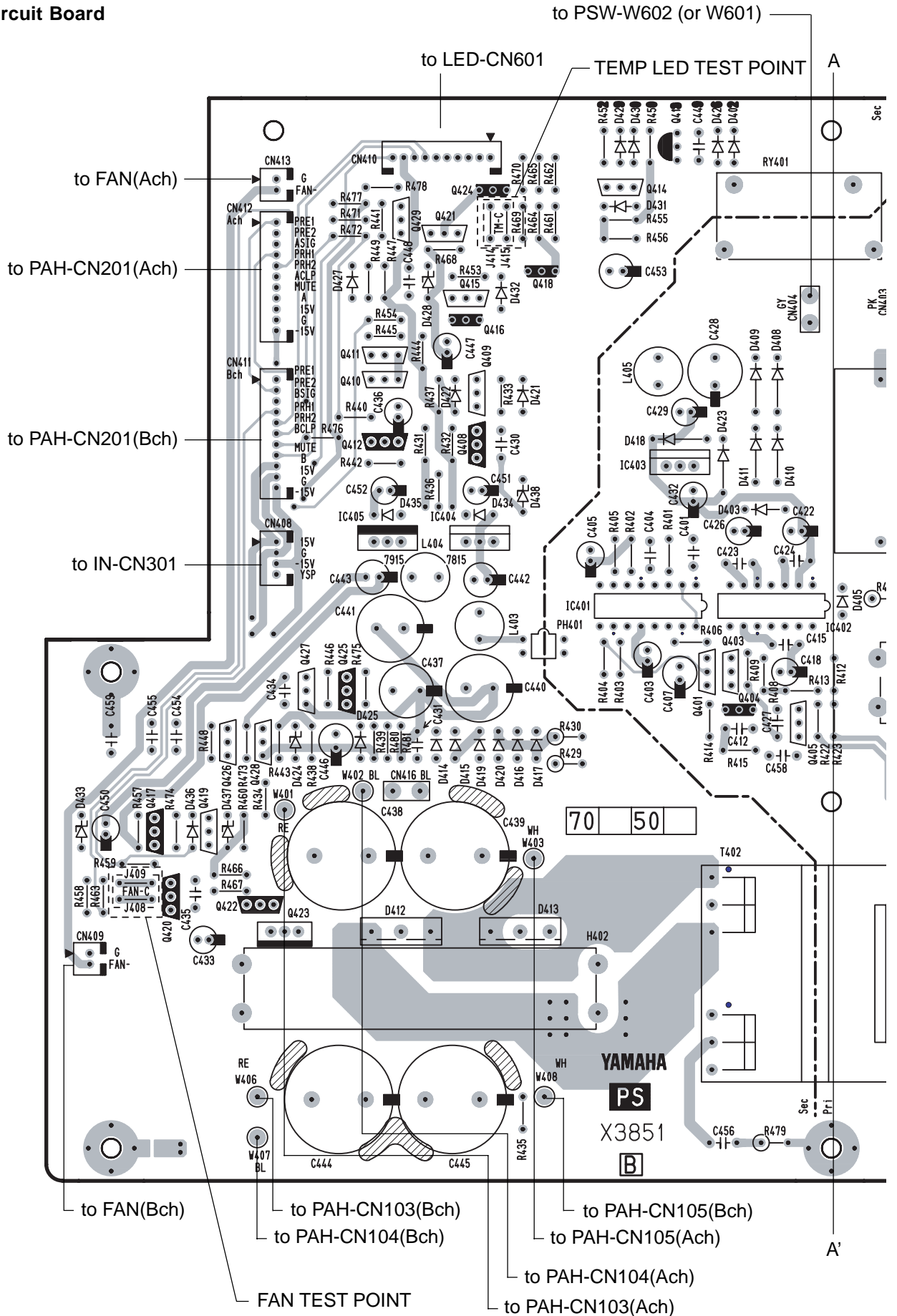


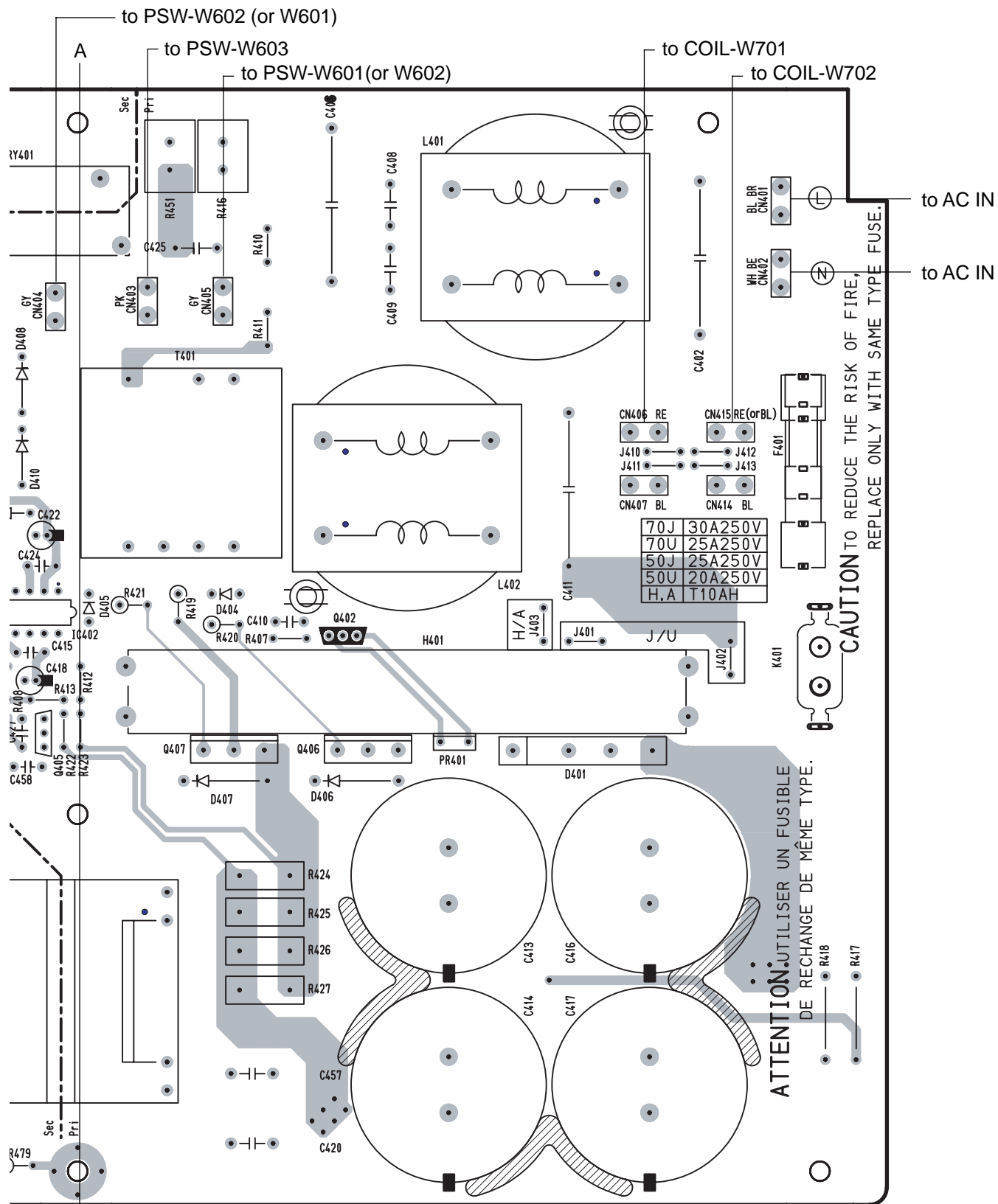
■ CIRCUIT BOARDS (シート基板図)

CONTENTS (目次)

• PAH Circuit Board (X3850B0)	23
• PS Circuit Board (X3851B0)	25
• IN Circuit Board (X3501C0)	29
• LED Circuit Board (X3895B0)	30
• OUT1 Circuit Board (X3895B0)	31
• OUT2 Circuit Board (X3895B0)	32
• PSW Circuit Board (X3895B0)	33
• VR Circuit Board (X3895B0)	33
• COIL Circuit Board (X4945A0)	34

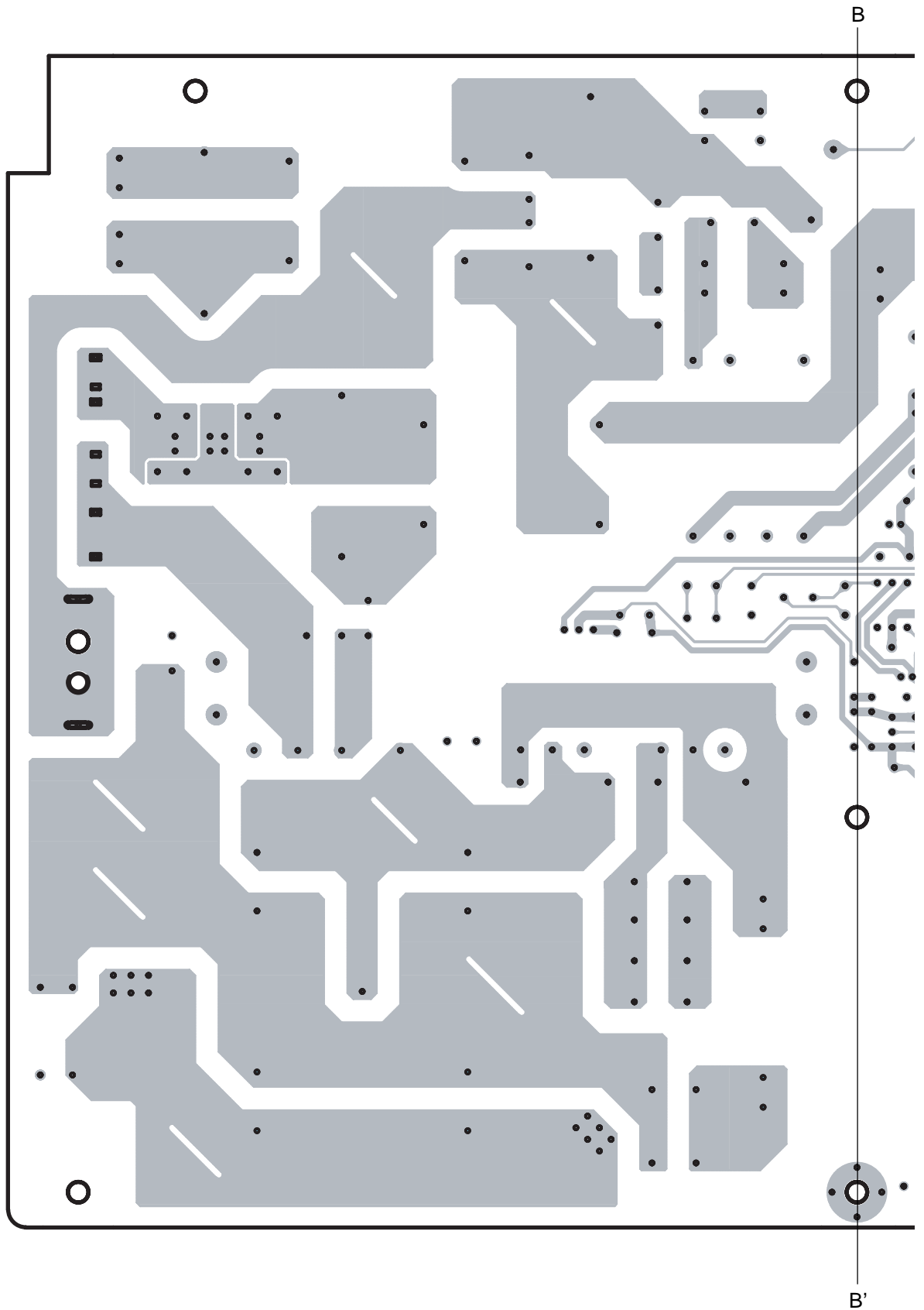
• PS Circuit Board

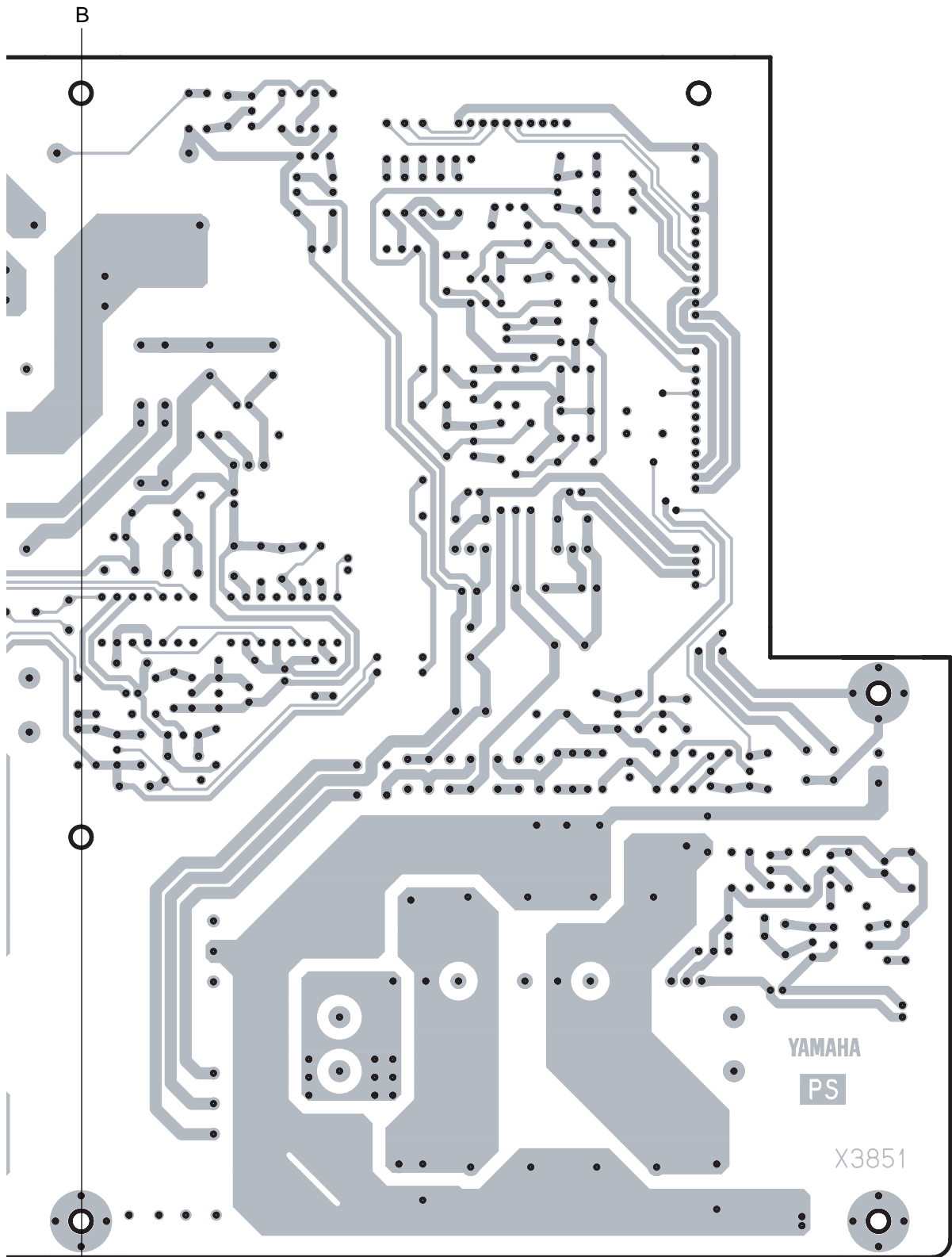




Component Side (部品側)

The C version C differs only in the silk print. The point of difference is as follows.
 Cバージョン C はシルク印刷のみ異なります。相異点は下記の通りです。
 CN407, CN414 Deleted (削除)
 J403 H/A/K Modifid (H/A/Kに変更)



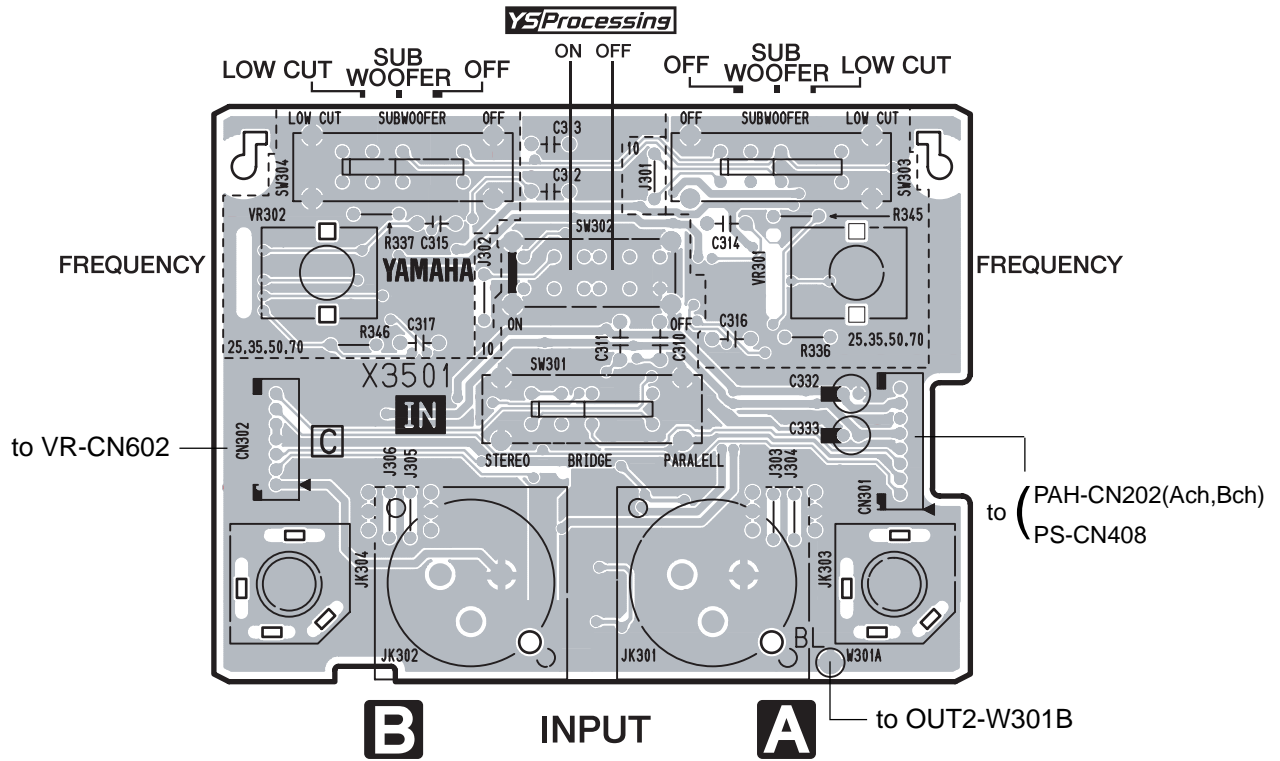


Pattern Side (パターン側)

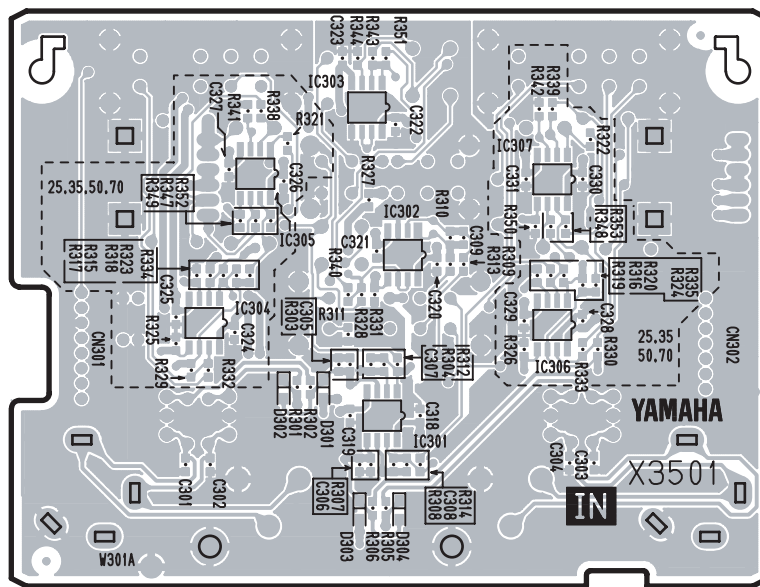
PS: 2NAP-WB10880 (P5000S)

PS: 2NAP-WB10840 (P7000S)

• IN Circuit Board

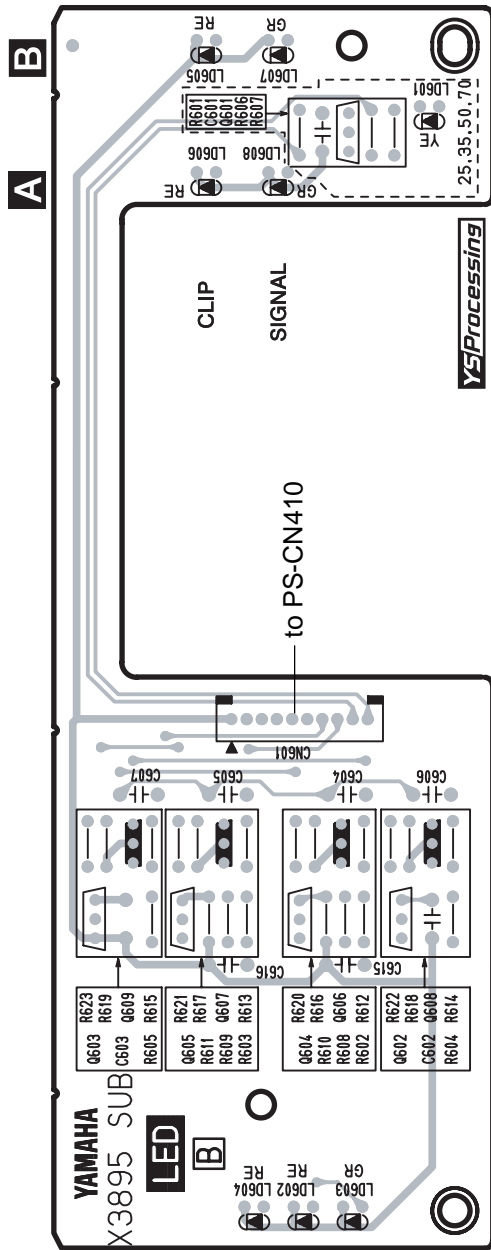


Component Side (部品側)

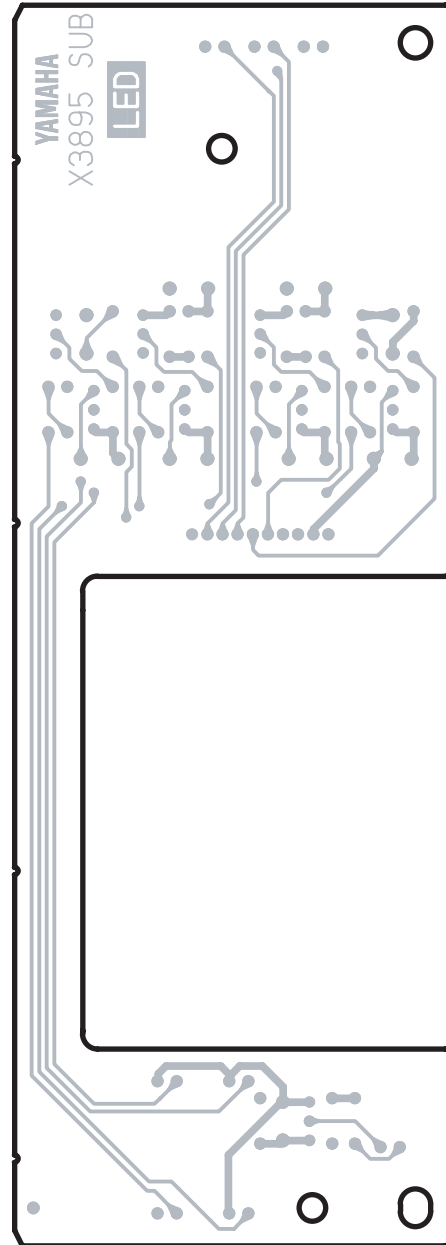


Pattern Side (パターン側)

• LED Circuit Board

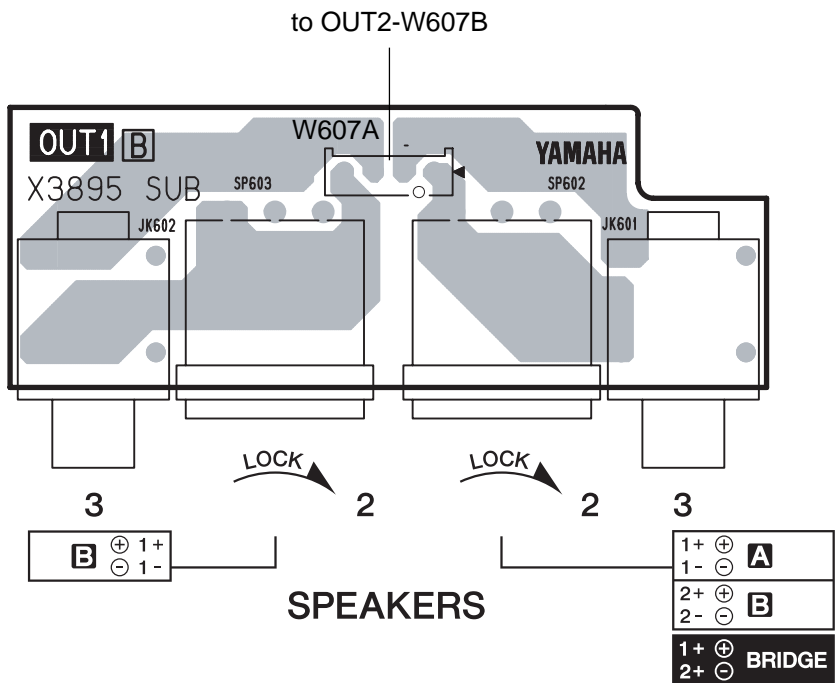


Component Side (部品側)

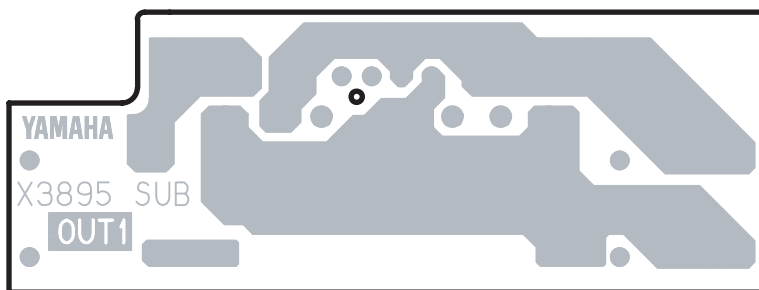


Pattern Side (パターン側)

• OUT1 Circuit Board

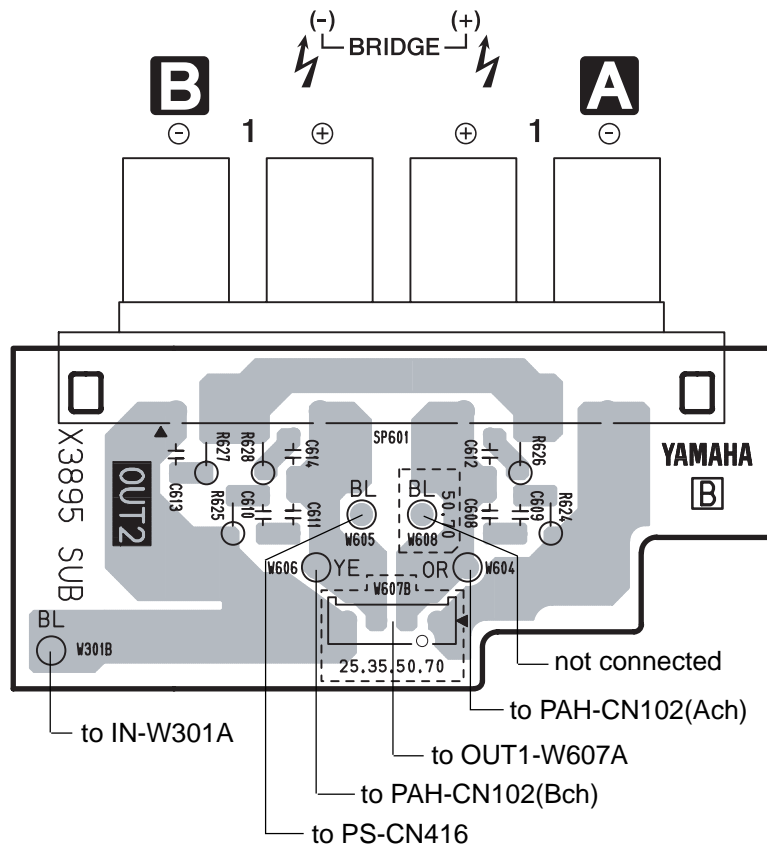


Component Side (部品側)

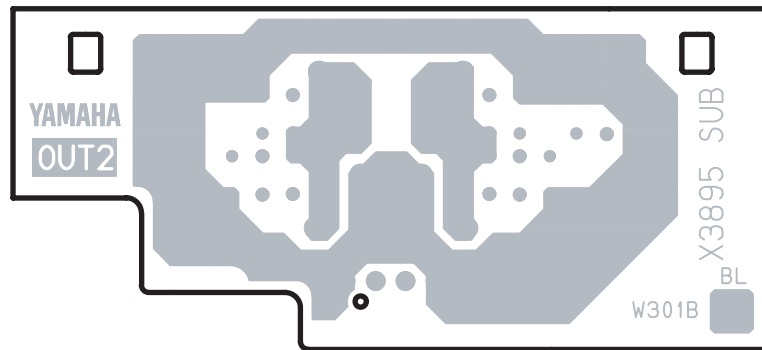


Pattern Side (パターン側)

• OUT2 Circuit Board

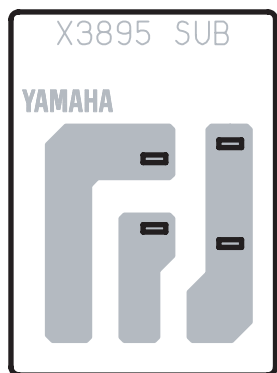
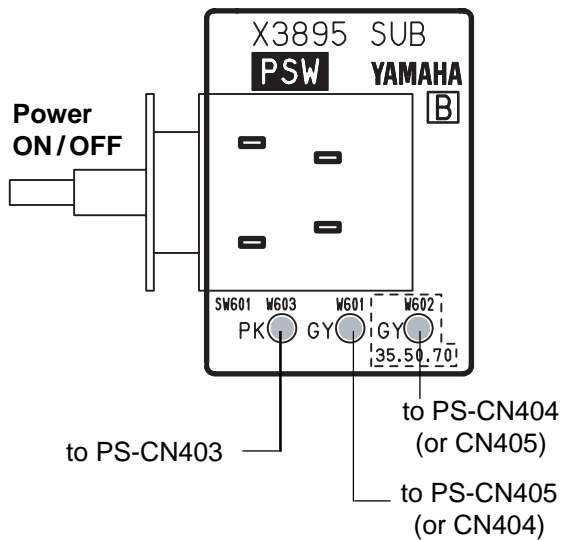


Component Side (部品側)

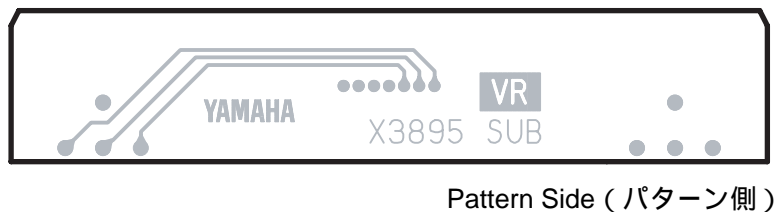
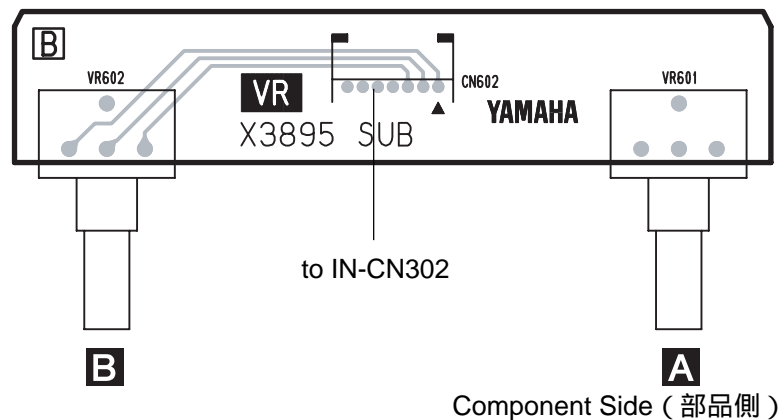


Pattern Side (パターン側)

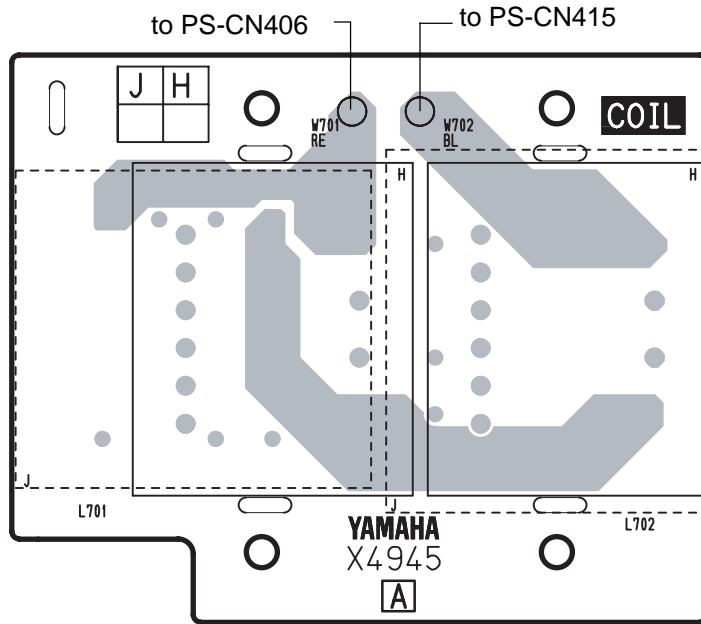
• PSW Circuit Board



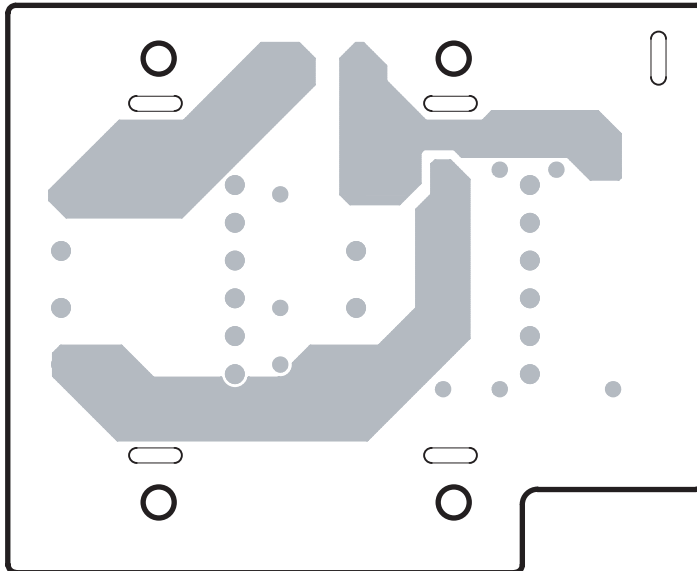
• VR Circuit Board



• COIL Circuit Board



Component Side
(部品側)



Pattern Side
(パターン側)

■ INSPECTION

1. Scope

- This inspection specifications is applied to the power amplifier P5000S/P7000S.

2. Preparation for STEREO/PARALLEL mode

Attenuator	: "0"(MAX)
Input terminal	: cannon connector 2PIN-HOT/3PIN-COLD/1PIN-GND
MODE switch	: STEREO
SUBWOOFER/LOW CUT switch	: OFF
YS Processing switch	: OFF
Load resistor	: 8ohms +/- 1%

Unless otherwise specified, the operation shall be both channels drive.

DIN AUDIO filter shall be used for the noise level measurements.

Unless otherwise specified, the input signal shall be high quality sine wave.

3. Inspection and Adjustment

3.1 POWER LED, PROTECTION LED and Power on muting time

POWER LED and PROTECTION LED shall light when the POWER switch is turned on.

2.5 +/- 1 seconds after the power switch is turned on, PROTECTION LED shall lights off.

3.2 Fan and TEMP LED

The fan shall operate when short circuit on the two jumper wires that mounted of PS circuit board marked "FAN-C". The TEMP LED shall lights up when short circuit on the two jumper wires that marked "TM-C".

3.3 Idle current

Connect the input terminal to the GROUND and adjust VR201 on the PAH circuit board that the DC voltage of Vb between the pin1 and pin2 of CN101 shall be 0.275 +/- 0.025mV.

After finishing all inspections, adjust the Vb again to 0.5 +/- 0.1mV.

This adjustment should be performed in both channels.

3.4 DC Voltage of output terminal

Connect the input terminal to the GROUND and measure the DC voltage Vdc of the output terminal shall be 0 +/- 75mV.

3.5 Gain

The output voltage should be +22.1 +/- 0.5dBu when input signal is 1kHz, -10.0dBu.

This inspection shall be performed on PARALLEL mode.

Don't feed input signal to channel B on PARALLEL mode.

Set the input attenuator to -10dB. Input signal is 1kHz, -10dBu.

The output voltage shall be 12.0 +/- 3.0dB.

3.6 Frequency response

Input signals are each 20Hz, 1kHz and 20kHz, -10dBu.

The output voltage shall be 0.0 +/- 0.5dB at 20Hz, -0.5 +/- 0.5dB at 20kHz compared to the 1kHz.

Set MODE switch to PARALLEL.

The inspection process of SUB WOOFER and LOW CUT position as follows.

- 1) channel A 25Hz
- 2) channel A 150Hz
- 3) channel B 25Hz
- 4) channel B 150Hz

***SUB WOOFER position**

<It sets [FREQUENCY] adjustment knob to 25Hz (Min.)>
 Input signal is 25Hz, -10dBu, and set FREQUENCY to 25Hz.
 The output voltage shall be -3.0 +/- 2.0dB compared to the 1kHz at the switch off.

<It sets [FREQUENCY] adjustment knob to 150Hz (Max.)>
 Input signal is 150Hz, -10dBu, and set FREQUENCY to 150Hz.
 The output voltage shall be -3.0 +/- 2.0dB compared to the 1kHz at the switch off.

***LOW CUT position**

<It sets [FREQUENCY] adjustment knob to 25Hz (Min.)>
 Input signal is 25Hz, -10dBu, and set FREQUENCY to 25Hz.
 The output voltage shall be -4.2 +/- 2.0dB compared to the 1kHz at the switch off.

<It sets [FREQUENCY] adjustment knob to 150Hz (Max.)>
 Input signal is 150Hz, -10dBu, and set FREQUENCY to 150Hz.
 The output voltage shall be -4.0 +/- 2.0dB compared the 1kHz at the switch off.

***YS Processing switch: ON**

Input signal is 70Hz, -10dBu,
 the output voltage shall be +6.5 +/- 1.5dB compared to the 1kHz at the YS Processing
 switch off, and the YS Processing LED shall lights up

***Set MODE switch to STEREO.**

3.7 Distortion Factor

Input signals are each 20Hz and 20kHz,The distortion shall be less than 0.1% when output
 power level as follows. This inspection should have been finished within 30 seconds.

P5000S	P7000S(J/U/A/T)	P7000S(H/B/K)
500W+500W	700W+700W	650W+650W

3.8 Cross talk

Input signal is 1kHz to the channel A, and shunt the input terminal of channel B with 600ohms. Set the output power
 of channel A as follows.

The output voltage of channel B shall be less than -70dB compared to output voltage of
 channel A. The conditions of channel A and channel B are replaced and inspected.

P5000S	P7000S
250W	350W

3.9 Output Noise level

Shunt the input terminal with 600 ohms.
 The noise level of the output terminal shall be less than -65 dBu.
 Set the input attenuator to MIN. The noise level shall be less than -70 dBu.

3.10 Stability

Connect 4 ohms load resistor with the capacitance of 10pF-0.47uF to output terminal.

Input signal is 10kHz, -10dBu square wave.

The overshoot and the ringing should be as follows.

Overshoot : $V_p/V_o < 1.8$

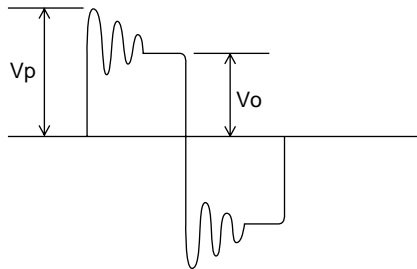
Ringing : Within 5 waves

Next, connect only capacitance of 10pF-0.47uF to output terminal.

The overshoot and the ringing should be as follows.

Overshoot : $V_p/V_o < 2.5$

Ringing : within 7 waves and no oscillation



3.11 Protection circuit for DC fault

Disconnect of load resistor from output terminal.

PROTECTION LED shall not light up when input signal is 10Hz, +9.0dBu.

The power supply shall shut down less than 2 seconds when input signal is 1Hz, 5.0dBu.

Turn off the power switch.

The power amp shall restart, when the switch will be turned on again after 3 seconds.

3.12 Efficiency

(1) The primary electrical power shall be as follows when input signal is 1kHz, -6.6dBu.

P5000S	P7000S
140 +/- 30W	140 +/- 30W

(2) The primary electrical power shall be as follows when shunt the input terminal with 600 ohms.

P5000S	P7000S
35 +/- 10W	35 +/- 10W

3.13 VI limiter and compressor

Connect 1ohm(+/- 5%) load resistor to output terminal.

Input signal is 1kHz, -1.5dBu.

The output voltage shall be as follows and the distortion shall be less than 5%.

Then, CLIP LED shall light up.

This inspection should have been finished within 30 seconds.

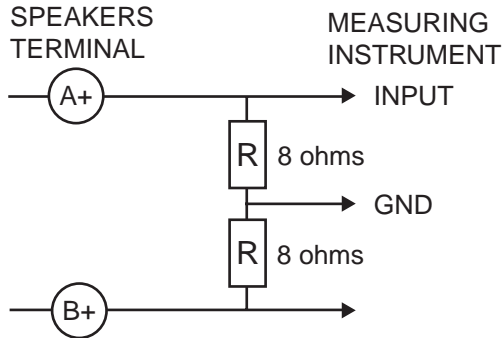
P5000S	P7000S
16 +/- 4V	18 +/- 4V

3.14 SIGNAL LED

SIGNAL LED shall lights up when input signal is 1kHz, -23dBu.

4. Preparation For BRIDGE mode

- Attenuator : "0"(MAX) Effective only channel A.
- Input terminal : cannon connector 2PIN-HOT/3PIN-COLD/1PIN-GND
- MODE switch : BRIDGE
- SUBWOOFER/LOW CUT switch : OFF
- YS Processing switch : OFF
- Load resistor : 8+8 ohms +/- 1%
- Connection for measuring : Measure the output at the point as shown below.



5. Inspection

5.1 gain

The output voltage shall be +22.1 +/- 1dBu when input signal is 1kHz, -10.0dBu.

5.2 Frequency response

Input signals are each 20Hz, 1kHz and 20kHz, -10dBu.

The output voltage shall be 0.0 +/- 0.5dB at 20Hz, -0.5 +/- 0.5dB at 20kHz compared to the 1kHz.

5.3 Distortion Factor

Input signals are each 20Hz and 20kHz.

The distortion shall be less than 0.1% when output voltage as follows.

This inspection should have been finished within 30 seconds.

P5000S	P7000S(J/U/A/T)	P7000S(H/B/K)
63.25V	74.83V	72.11V

5.4 Output Noise level

Shunt the input terminal with 600 ohms.

The noise level of output terminal shall be less than -60 dBu.

Next, set the input attenuator to MIN.

The noise level shall be less than -65 dBu.

6. PS sheet trouble repair guide

6.1 The application sheet part number and the line voltage

<Table 1-1>

Part number	Sheet name	Line voltage
WB108400	PS70J	AC100V/50Hz
WB108500	PS70U	AC120V/60Hz
WB108600	PS70H	AC230V/50Hz
WB108700	PS70A	AC240V/50Hz
WC563400	PS70K	AC230V/50Hz
WB108800	PS50J	AC100V/50Hz
WB108900	PS50U	AC120V/60Hz
WB109000	PS50H	AC230V/50Hz
WB109100	PS50A	AC240V/50Hz
WC563600	PS50K	AC230V/50Hz

6.2 Electric performance

6.2-1 Preparation

- It connects sheet PSW (WB17830 the part of the SUB sheet) with CN403, CN404, CN405.
 - The sheet In case of setting which COIL70J or COIL70H are used for, it connects J410-J413.
(Or, it short-circuits in CN406 and CN415).
 - Connecting load resistor with the $\pm B$, $\pm 15 V$. <Table 2-1>
 - It connects power code in CN401, CN402.
 - It adjusts a line voltage to the voltage which suited each sheet. It refers to <table 1-1>
- * As for the location, refer to Fig.1.

6.2-2 Each part voltage

It is ON in POWER SW when being, each part output voltage is normal if it is stored in the range in <table 2-1>.

When a line voltage is shifted, it doesn't sometimes become the output voltage of <table 2-1> when measuring output voltage without the load resistor.

<Table 2-1>

Model	Measurement part	Measurement place	Output voltage(DC)			Load resistor
			J	U,A	H	
P7000S	+ B voltage	W406RE-W407BL	+150.8 \pm 3V	+141.4 \pm 3V	+143.5 \pm 3V	22K Ω 3W
	- B voltage	W407BL-W408WH	-150.8 \pm 3V	-141.4 \pm 3V	-143.5 \pm 3V	22K Ω 3W
P5000S	+ B voltage	W406RE-W407BL	+122.5 \pm 3V	+113.1 \pm 3V	+124.3 \pm 3V	22K Ω 3W
	- B voltage	W407BL-W408WH	-122.5 \pm 3V	-113.1 \pm 3V	-124.3 \pm 3V	22K Ω 3W
commonness	+15V Power	CN408 1-2pin	+15.0 \pm 0.6V	+15.0 \pm 0.6V	+15.0 \pm 0.6V	10K Ω 1/4W
	-15V Power	CN408 3-2pin	-15.0 \pm 0.6V	-15.0 \pm 0.6V	-15.0 \pm 0.6V	10K Ω 1/4W

6.3 Discharge

When treating with simple substance sheet, for the shock guard (discharging in the electric charge of the capacitor), discharge with the following terminal by resistor.

- Terminals of C416 and C417(Power SW OFF there is not need of the discharge but checking voltage for the safe confirmation if leaving later for equal to or more than 10 minutes)
- Between W406RE-W407BL and W407BL-W408WH.
- Terminals of C402

6.4 Repair concrete instance at the trouble part

All secondary output isn't output.

Check the following instruction.

Confirm the resistor value of R416, R451(6.8Ω 5 W).

Exchange if open the resistor value.

Confirm the resistor value of Q406, Q407 Between C-E.

If short or several value(Ω), remove the part and then exchange IC402 because it is broken.

Conform the resistor value of R420, R421.

Confirm whether or not it is a 10Ω.

Remove if open or a resistor value is increased.

Conform the resistor value of R419.

Confirm whether or not it is a 4.7Ω.

Remove if open or a resistor value is increased.

Conform the resistor value of R429, R430.

Remove if open or a resistor value is increased.

Confirmation of F401.

Confirm the resistor value of F401.

Don't install the test of ends.

Conform a waveform of IC402.

Confirm alternating volts.

【Note】

The earth of the measuring machine doesn't connect.

The parts sometimes damages when using in the connecting condition.

After - ending, it observes a waveform IC402-1Pin(Lo),2Pin(COM) with the oscilloscope.

There is good if being the square wave (0-15V) of the about 70 kHz.

In the waveform malfunction case, confirm that the output of IC403 (regulator) is +15 V.

In case of equal to or less than 15V, it exchanges IC402 and it observes a waveform once again.

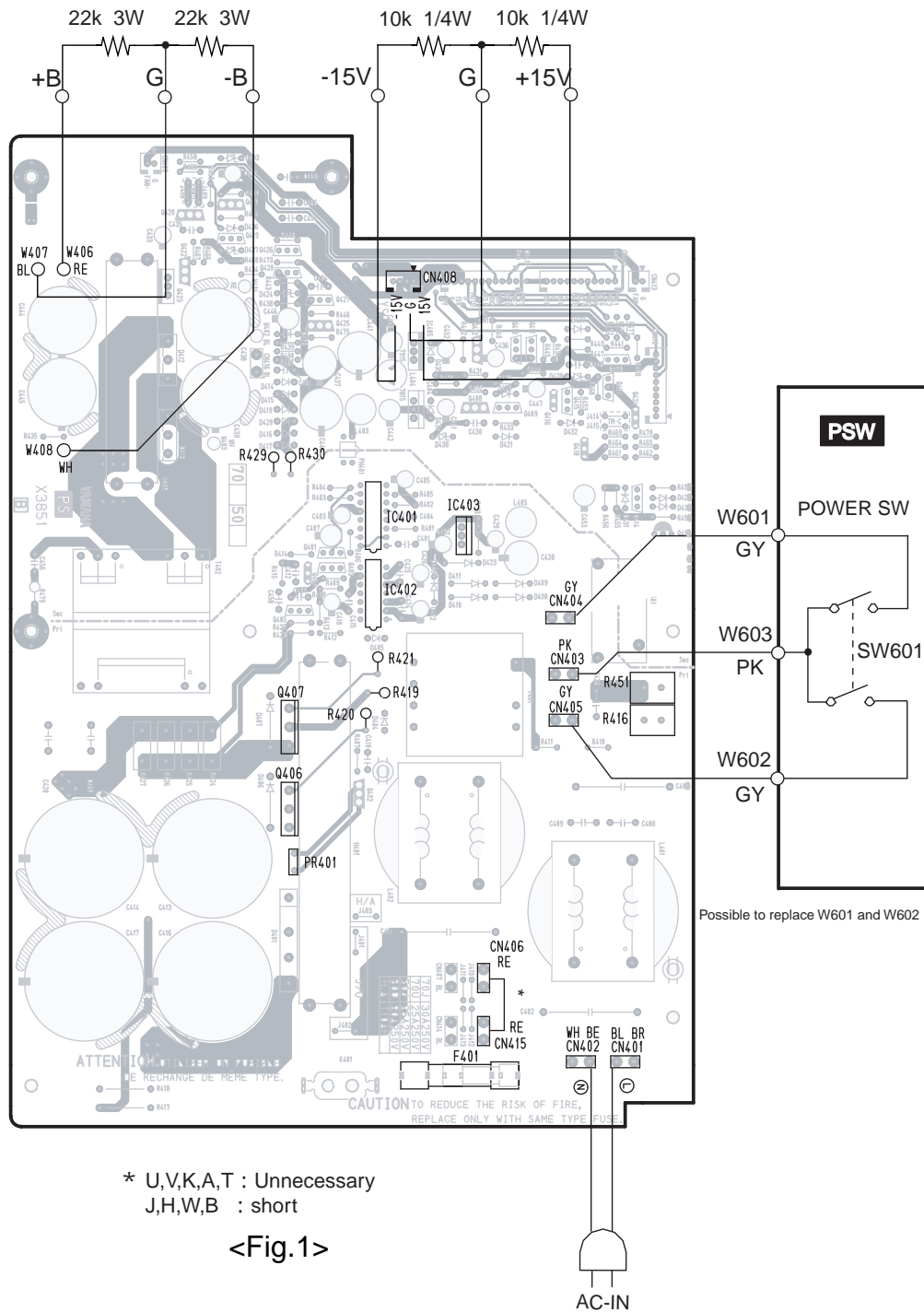
(When exchanging IC402 already by , you exchange IC401).

* When observing a waveform, do short-circuiting of PR401.

Exchange the parts which was removed by - for the normal part.

It is repair completion if confirming "6-2. Electric performance" and not being in the problem.

• Wiring/Check Parts



7. Preparation of Delivery

- Attenuator : MIN
- MODE switch : STEREO
- SUBWOOFER/LOW CUT switch : OFF
- YS Processing switch : OFF
- FREQUENCY : 25Hz

1. 適用範囲

・パワーアンプ P5000S/P7000S について規定します。

2. STEREO/PARALLEL モード用の準備

アッテネータ	: "0"(MAX)
入力端子	: cannon connector 2PIN-HOT/3PIN-COLD/1PIN-GND
モードスイッチ	: STEREO
SUBWOOFER/LOW CUT スイッチ	: OFF
YS Processing スイッチ	: OFF
負荷抵抗	: 8 +/- 1%

特に指定の無い場合、両チャンネル駆動とします。
DIN AUDIO フィルタを用いてノイズレベルを測定します。
特に指定の無い場合、入力信号は高品位サイン波とします。

3. 検査及び調整

3.1 POWER LED, PROTECTION LED 及び Power on muting time

電源を投入し、POWER,PROTECTION LED が点灯することを確認します。
電源を投入し、 2.5 ± 1 秒にて、PROTECTION LED が消灯することを確認します。

3.2 Fan 及び TEMP LED

PS シートの "FAN-C" と表記された枠内の 2 本のジャンパー線をショートした時、FAN が回転することを確認します。
同じく "TM-C" と表記された枠内の 2 本のジャンパー線をショートした時、TEMP LED が点灯することを確認します。

3.3 アイドリング電流

入力端子を接地して、PAH シート CN101 の 1-2 番端子間の直流電圧 V_b が $0.275 \pm 0.025mV$ となるように、VR201 を調整します。
全検査終了後、再度 V_b を $0.5 \pm 0.1mV$ となるように調整します。
この調整は両チャンネル 共に行います。

3.4 出力端子、直流電圧

入力端子を接地し、出力端子の直流電圧 V_{dc} を測定し、 $0 \pm 75mV$ であることを確認します。

3.5 利得

入力端子に 1kHz、-10.0dBu の正弦波を入力した時、 $+22.1 \pm 0.5dBu$ の出力電圧を得られる事を確認します。
さらに PARALLEL モードでも検査を行います。
PARALLEL モードでは、Bch の入力端子に信号を入力しないでください。
アッテネーターを -10dB のポジションに設定し、入力端子に 1kHz、-10.0dBu の正弦波を入力した時、出力電圧が $12.0 \pm 3.0dB$ 以内であることを確認します。

3.6 周波数特性

20Hz、1kHz、20kHz、-10dBu の信号を入力した時、出力電圧が 1kHz を基準に 20Hz では $0.0 \pm 0.5dB$ 以内、20kHz では $-0.5 \pm 0.5dB$ 以内であることを確認します。
MODE スイッチを PARALLEL にセットします。
SUB WOOFER と LOW CUT のポジションの検査は、次の順序で行います。

- 1) channel A 25Hz
- 2) channel A 150Hz
- 3) channel B 25Hz
- 4) channel B 150Hz

***[OFF/SUB WOOFER/LOW CUT] スイッチを ' SUB WOOFER ' にします。**

<[FREQUENCY]調整つまみを 25Hz(最小)にします>

25Hz、-10dBu の信号を入力した時、出力電圧が、[OFF/SUB WOOFER/LOW CUT] スイッチ OFF 時の 1kHz の出力電圧を基準に $-3.0 \pm 2.0\text{dB}$ 以内であることを確認します。

<[FREQUENCY]調整つまみを 150Hz(最大)にします>

150Hz、-10dBu の信号を入力した時、出力電圧が、[OFF/SUB WOOFER/LOW CUT] スイッチ OFF 時の 1kHz の出力電圧を基準に $-3.0 \pm 2.0\text{dB}$ 以内であることを確認します。

***LOW CUT ポジション**

<[FREQUENCY]調整つまみを 25Hz(最小)にします>

25Hz、-10dBu の信号を入力した時、出力電圧が[OFF/SUB WOOFER/LOW CUT] スイッチ OFF 時の 1kHz の出力電圧を基準に $-4.2 \pm 2.0\text{dB}$ 以内であることを確認します。

<[FREQUENCY]調整つまみを 150Hz(最大)にします>

150Hz、-10dBu の信号を入力した時、出力電圧が[OFF/SUB WOOFER/LOW CUT] スイッチ OFF 時の 1kHz の出力電圧を基準に $-4.0 \pm 2.0\text{dB}$ 以内であることを確認します。

***YS Processing switch: ON**

70Hz、-10dBu の信号を入力した時の出力電圧が、1kHz,YS Processing SW OFF 時の出力電圧を基準に $+6.5 \pm 1.5\text{dB}$ 以内であることを確認します。

また、YS Processing LED が点灯することを確認します。

***MODE スイッチを STEREO にセットします**

3.7 歪率

入力端子に 20Hz,20kHz の信号を入力し下表の定格出力を得た時の歪率は 0.1% 以下であることを確認します。この検査は 30 秒以内に終了してください。

P5000S	P7000S(J/U/A/T)	P7000S(H/B/K)
500W+500W	700W+700W	650W+650W

3.8 チャンネルセパレーション

A チャンネルに 1kHz を入力し、B チャンネルの入力端子を 600 Ω でシャントします。

A チャンネルの出力を下表の値にセットします。

B チャンネルの出力電圧は A チャンネルに比較して -70dB 以下であることを確認します。

次に A と B を入れ換えて検査します。

P5000S	P7000S
250W	350W

3.9 出力ノイズレベル

入力端子を 600 Ω でシャントします。

出力端子に発生するノイズレベルを測定し、-65dBu 以下であることを確認します。

アッテネーターを MIN にし、-70dBu 以下であることを確認します。

3.10 安定度

負荷抵抗 4 Ω に 10pF ~ 0.47 μ F の容量を並列接続します。

10kHz, -10dBu の、矩形波を入力した時、以下の条件を満足することを確認します。

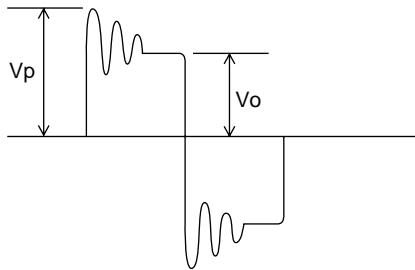
オーバーシュート : $V_p/V_o < 1.8$

リングング : 5 波以内

次に、負荷を純容量 10pF ~ 0.47 μ F のみとした時、発振せずに以下の条件を満足することを確認します。

オーバーシュート : $V_p/V_o < 2.5$

リングング : 7 波以内に収束し、発振などを生じないことを確認します。



3.11 プロテクション回路

出力端子から負荷抵抗の接続を外します。

10Hz, +9.0dBu の信号を入力し、PROTECTION LED が点灯しないことを確認します。

1Hz, 5.0dBu の信号を入力した時、2 秒以内に電源がシャットダウンすることを確認します。

パワースイッチを OFF します。その 3 秒後にパワースイッチを ON して、再起動可能な事を確認します。

3.12 効率

(1) 1kHz, -6.6dBu の信号を入力して、一次電力を測定し下表の範囲内であることを確認します。

P5000S	P7000S
140 +/- 30W	140 +/- 30W

(2) 入力端子を 600 Ω でシャントして、一次電力を測定し下表の範囲内であることを確認します。

P5000S	P7000S
35 +/- 10W	35 +/- 10W

3.13 VI リミッター及びコンプ

出力端子に負荷として 1 Ω (± 5%) を接続し 1kHz, -1.5dBu の信号を入力します。

出力電圧は下表の範囲であること、また歪率は 5% 以下であり、CLIP LED が点灯することを確認します。

この検査は 30 秒以内に終了してください。

P5000S	P7000S
16 +/- 4V	18 +/- 4V

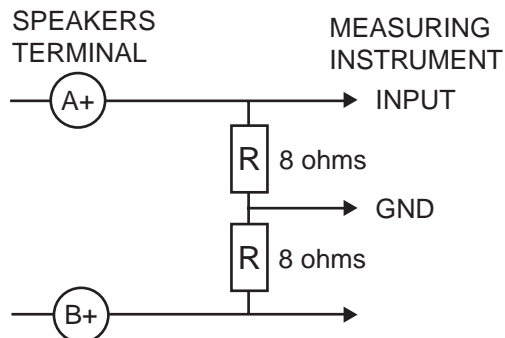
3.14 SIGNAL LED

1kHz, -23dBu の正弦波を入力し、SIGNAL LED が点灯することを確認します。

4. BRIDGEモード用の準備

アッテネーター : "0"(MAX)A チャンネルのみ有効.
 入力端子 : cannon connector 2PIN-HOT/3PIN-COLD/1PIN-GND
 モードスイッチ : BRIDGE
 SUBWOOFER/LOW CUT スイッチ : OFF
 YS Processing スイッチ : OFF
 負荷抵抗 : 8+8 +/- 1%

下図のとおりに接続して、各点における出力を測定します。



5. 検査

5.1 利得

1kHz、-10.0dBu の信号を入力した時、+22.1 ± 1.0dBu の出力電圧を得ることを確認します。

5.2 周波数特性

20Hz、1kHz、20kHz、-10dB の信号を入力した時、出力電圧が 1kHz の出力電圧を基準に 20Hz では 0.0 ± 0.5dB 以内、20kHz では -0.5 ± 0.5dB 以内であることを確認します。

5.3 歪率

入力端子に 20Hz,20kHz の信号を入力し下表の出力電圧を得た時の歪率は 0.1% 以下であることを確認します。
 この検査は 30 秒以内に終了してください。

P5000S	P7000S(J/U/A/T)	P7000S(H/B/K)
63.25V	74.83V	72.11V

5.4 出力ノイズレベル

入力端子を 600 Ω でシャントします。
 出力端子に発生するノイズレベルを測定し、-60dBu 以下であることを確認します。
 次にアッテネーターを MIN にし、-65dBu 以下であることを確認します。

6 PSシート故障修理ガイド

6.1 適用シート部品番号及び電源電圧

<表 1-1 >

部品番号	シート名称	電源電圧
WB108400	シート PS70J	AC100V/50Hz
WB108500	シート PS70U	AC120V/60Hz
WB108600	シート PS70H	AC230V/50Hz
WB108700	シート PS70A	AC240V/50Hz
WC563400	シート PS70K	AC230V/50Hz
WB108800	シート PS50J	AC100V/50Hz
WB108900	シート PS50U	AC120V/60Hz
WB109000	シート PS50H	AC230V/50Hz
WB109100	シート PS50A	AC240V/50Hz
WC563600	シート PS50K	AC230V/50Hz

6.2 正常動作時電氣的性能

6-2-1 準備

- ・ CN403, CN404, CN405 にシート PSW(WA17830 SUB シートの 1 部)を接続します。
 - ・ COIL70J 又は COIL70H シートが使用されている仕向においては、J410 ~ J413 を接続します。
(もしくは CN406 と CN415 をショートします)
 - ・ $\pm B$ 電源、 $\pm 15V$ に負荷抵抗を接続します。 <表 2-1 > 参照
 - ・ 電源コードを CN401, CN402 に挿入します。
 - ・ 電源電圧を各シート(仕向け)に合った電圧に調整します。(<表 1-1 > を参照)
- * ロケーションについては < Fig. 1 > を参照願います。

6-2-2 各部電圧

POWER SW を ON した時、各部出力電圧は <表 2-1 > の範囲に入っていれば正常です。
負荷抵抗なしで出力電圧を測定した場合や電源電圧がずれている場合、 <表 2-1 > の出力電圧にならない場合があります。

<表 2-1 >

モデル	測定部	測定場所	出力電圧(DC)			負荷抵抗
			J	U, A	H	
P7000S	+ B 電圧	W406RE-W407BL 間	+150.8 \pm 3V	+141.4 \pm 3V	+143.5 \pm 3V	22K 3W
	- B 電圧	W407BL-W408WH 間	-150.8 \pm 3V	-141.4 \pm 3V	-143.5 \pm 3V	22K 3W
P5000S	+ B 電圧	W406RE-W407BL 間	+122.5 \pm 3V	+113.1 \pm 3V	+124.3 \pm 3V	22K 3W
	- B 電圧	W407BL-W408WH 間	-122.5 \pm 3V	-113.1 \pm 3V	-124.3 \pm 3V	22K 3W
共通	+15V 電源	CN408 1ピン-2ピン	+15.0 \pm 0.6V	+15.0 \pm 0.6V	+15.0 \pm 0.6V	10K 1/4W
	-15V 電源	CN408 3ピン-2ピン	-15.0 \pm 0.6V	-15.0 \pm 0.6V	-15.0 \pm 0.6V	10K 1/4W

6.3 放電

シート単体で取り扱う場合には、感電防止(コンデンサの電荷を放電)の為、下記の端子を抵抗で放電して下さい。

- ・ C416 及び C417 の \pm 端子間(パワー SW OFF 後 10 分以上放置すれば放電の必要はありませんが安全確認の為電圧をチェックして下さい)
- ・ W406RE - W407BL 間 及び W407BL - W408WH 間
- ・ C402 の端子間

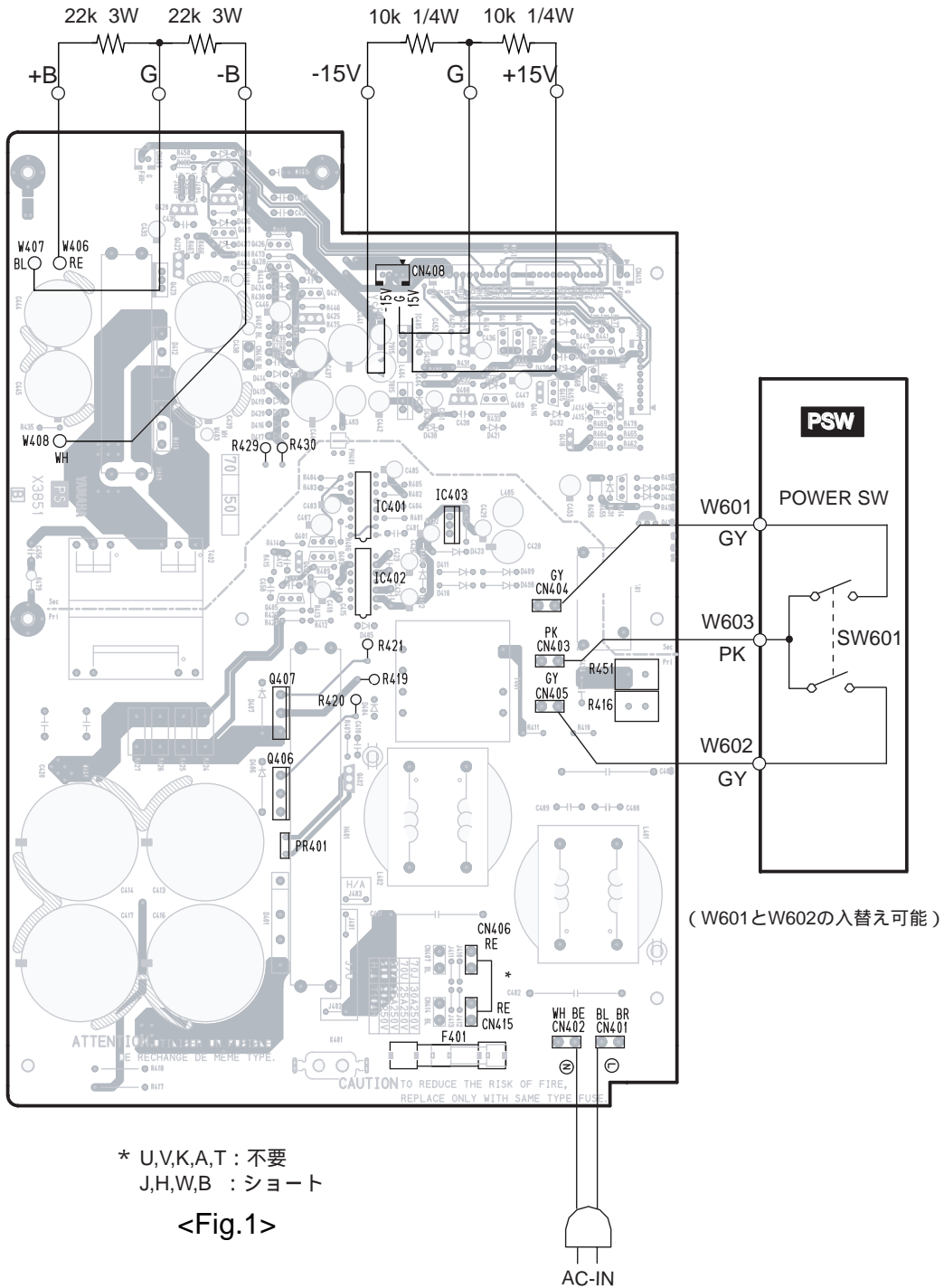
6.4 故障箇所の修理具体例

2 次側出力電圧が、すべて出力されない。

下記の部品をチェックして、指示に従って下さい。

- ① R416,R451(6.8 5 W)の抵抗値
オープンしていれば交換して下さい。
- ② Q406,Q407 C-E 間の抵抗値
ショートまたは、抵抗値が低下(数 程度)していれば、その部品を外して下さい。
その場合、IC402 が壊れていますので交換して下さい。
- ③ R420、R421 の抵抗値
10 の抵抗値であるか確認して下さい。
オープンまたは、抵抗値が増大していれば外して下さい。
- ④ R419 の抵抗値
4.7 の抵抗値であるか確認して下さい。
オープンまたは、抵抗値が増大していれば外して下さい。
- ⑤ R429,R430 の抵抗値
オープンまたは、抵抗値が増大していれば、その部品を外して下さい。
- ⑥ F401 の確認
F401 の抵抗値(断線等)を確認して下さい。⑦ の試験が終わるまで取付けないでください。
- ⑦ IC402 の発振波形
交流電圧を確認して下さい。
【注意】測定機器のアース・3 芯電源コードのアースは、接続しないで下さい。
接続した状態で波形を観測すると部品が破壊する恐れがあります。
① ~ ⑦ の作業が終了後、IC402 の 1 番ピン(LO)と 2 番ピン(COM)間の波形をオシロスコープ
で観測します。約 70KHz の矩形波(0-15V)であれば問題ありません。
波形異常の場合は、IC403(3 端子レギュレーター)の出力が、+15V であることを確認して下さい。
+15V 以下の場合、IC402 を交換し再度波形を観測します。
(既に② で IC402 を交換している場合は、IC401 を交換して下さい)
波形を観測する時は、PR401 をショートして観測して下さい。
- ⑧ ① ~ ⑦ で外した部品を、正常な部品と取りかえて組付けて下さい。
- ⑨ 「6-2. 正常動作時電气的性能」を確認し問題なければ、修理完了です。

• 接続図/チェック部品



7. 出荷時のセッティング

- アッテネーター : MIN
- モードスイッチ : STEREO
- SUBWOOFER/LOW CUT スイッチ : OFF
- YS Processing スイッチ : OFF
- FREQUENCY : 25Hz

POWER AMPLIFIER

P 5000S/P 7000S

PARTS LIST

■ CONTENTS (目次)

OVERALL ASSEMBLY (総組立)	2
PA UNIT (PAユニット)	5
ELECTRICAL PARTS (電気部品)	7

Note) DESTINATION ABBREVIATIONS

A: Australian model	O: Chinese model
B: British model	Q: South-east Asia model
C: Canadian model	T: Taiwan model
D: German model	U: U.S.A. model
E: European model	V: General export model (110V)
F: French model	W: General export model (220V)
H: North European model	N,X: General export model
I: Indonesian model	Y: Export model
J: Japanese model	K: Korea model
M: South African model	

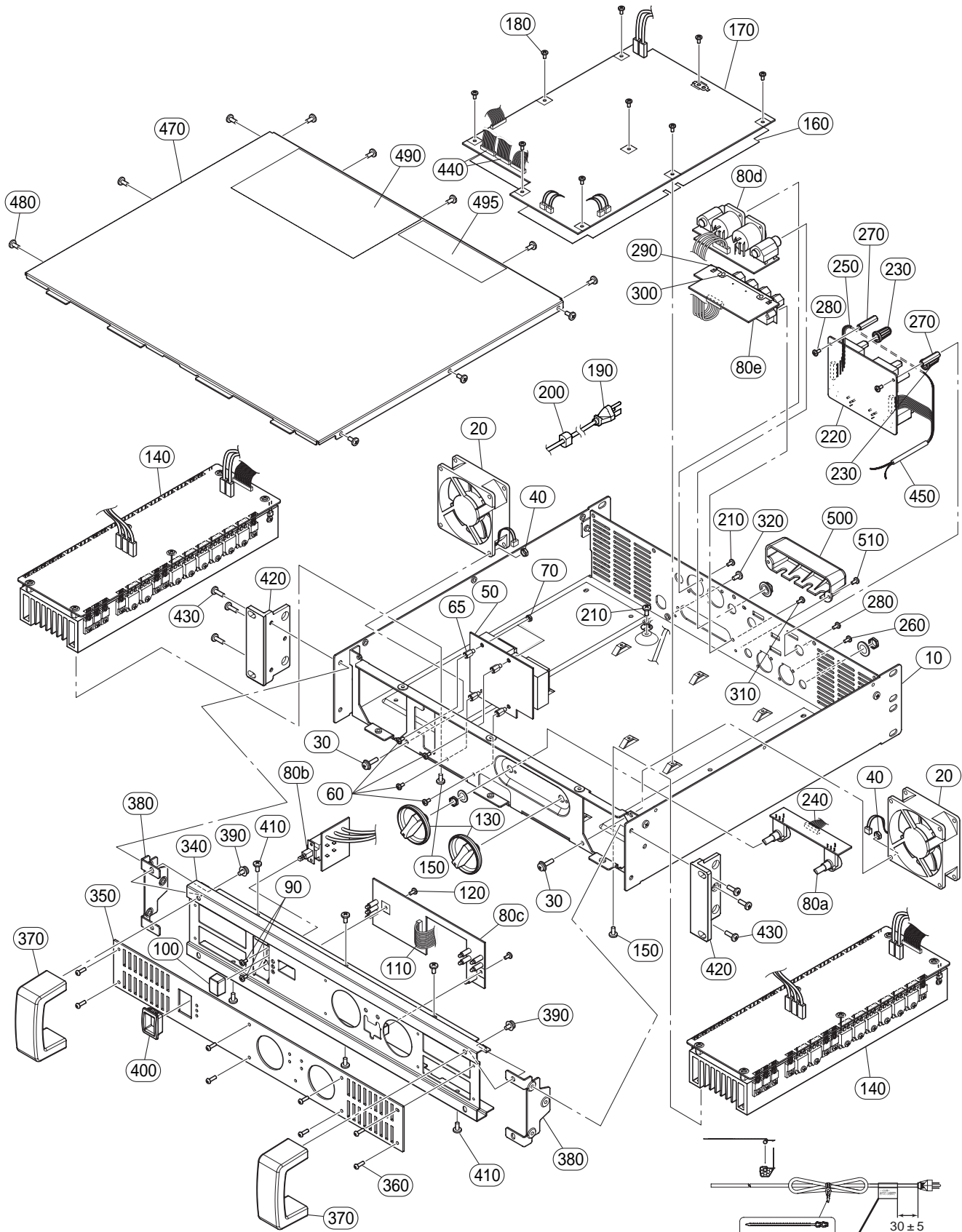
■ WARNING

Components having special characteristics are marked Δ and must be replaced with parts having specifications equal to those originally installed.

Δ 印の部品は、安全を維持するために重要な部品です。交換をする場合は、安全のため必ず指定の部品をご使用下さい。

- The numbers in "QTY" shows quantities for each unit.
- The parts with "--" in "Part No." are not available as spare parts.
- The second letter of the shaded () part number is I, not one.
- The second letter of the shaded () part number is O, not zero.
- QTY 欄に記されている数字は、各ユニット当たりの使用個数です。
- 部品 NO. が "--" の部品は、サービス用部品として準備されておりません。
- 網掛けの付いた PARTS NO. の 2 番目の文字は「イチ」ではなく「アイ」です。
- 網掛けの付いた PARTS NO. の 2 番目の文字は「ゼロ」ではなく「オー」です。

OVERALL ASSEMBLY (総組立)



Stick Caution Label(WB12860)
for Power Supply cord of J destination.

REF NO.	PART NO.	DESCRIPTION	部 品 名	REMARKS	QTY	RANK
		OVERALL ASSEMBLY				
	--	Overall Assembly	P5000S J	総組立 P5000S/P-7000S		
	--	Overall Assembly	P5000S U	総組立 P5000S J (WB09540)		
	--	Overall Assembly	P5000S H	総組立 P5000S U,V (WB09560)		
	--	Overall Assembly	P5000S B	総組立 P5000S H,W (WB09570)		
	--	Overall Assembly	P5000S K	総組立 P5000S B (WB09580)		
	--	Overall Assembly	P5000S A	総組立 P5000S K (WB09600)		
	--	Overall Assembly	P5000S T	総組立 P5000S A (WB09590)		
	--	Overall Assembly	P7000S J	総組立 P5000S T (WB44190)		
	--	Overall Assembly	P7000S U	総組立 P7000S J (WB09470)		
	--	Overall Assembly	P7000S H	総組立 P7000S U,V (WB09490)		
	--	Overall Assembly	P7000S B	総組立 P7000S H,W (WB09500)		
	--	Overall Assembly	P7000S K	総組立 P7000S B (WB09510)		
	--	Overall Assembly	P7000S A	総組立 P7000S K (WB09530)		
	--	Overall Assembly	P7000S T	総組立 P7000S A (WB09520)		
	--	Overall Assembly	P7000S J	総組立 P7000S T (WB44180)		
10	--	Main Chassis	P7000S PRINTED	メインシャーシ印刷上り		
20	WA968500	Fan	RDH8025S2	D C ファン		2 06
30	VB764900	Bind Head Screw	SP 4.0X16 MFZN2Y	+ バインド小ネジ		4 01
40	03760280	Hexagonal Nut	#1 4.0 MFZN2BL	六角ナット		4 01
50	WC188200	Circuit Board	COIL70J	シートCOIL70J		2
50	WC188300	Circuit Board	COIL70H	シートCOIL70H	H,W,B	2
60	EP630210	Bind Head Tapping Screw-S	3.0X6 MFZN2BL	+ バインドSタイト	J,H,W,B	4 01
65	WA058400	Spacer	H=7.5 B=5.5	六角スペーサー	J,H,W,B	4
70	03760280	Hexagonal Nut	#1 4.0 MFZN2BL	六角ナット	J,H,W,B	4 01
80	WB178300	Circuit Board	SUB P2-70	SUBシート P2-70		(X3895B0)
90	EP630210	Bind Head Tapping Screw-S	3.0X6 MFZN2BL	+ バインドSタイト		2 01
100	WA059000	Power Switch Knob	P2	P S W ノブ	ON/OFF	
110	--	Connector Assembly	C&C 10P 200L	束線 # 2 8		(WA87420)
120	EP630210	Bind Head Tapping Screw-S	3.0X6 MFZN2BL	+ バインドSタイト		2 01
130	WA059300	Attenuator Knob	P2 PRINTED	アッテネーターノブ印刷上	ATT A, B	2 01
140	WB100200	PA Unit	P5000S J	P A ユニット	P5000S	2
140	WB100100	PA Unit	P7000S J	P A ユニット	P7000S	2
150	EG340190	Bind Head Tapping Screw-B	4.0X8 MFZN2BL	+ バインドBタイト		12 01
160	WA058900	Insulation Sheet	PPE E68087	絶縁シート		
170	WB108800	Circuit Board	PS50J	P S 5 0 シート J	P5000S J	
170	WB108900	Circuit Board	PS50U	P S 5 0 シート U	P5000S U,V,T	
170	WB109000	Circuit Board	PS50H	P S 5 0 シート H	P5000S B,H,W	
170	WB109100	Circuit Board	PS50A	P S 5 0 シート A	P5000S A	
170	WC563600	Circuit Board	PS50K	P S 5 0 シート K	P5000S K	
170	WB108400	Circuit Board	PS70J	P S 7 0 シート J	P7000S J	
170	WB108500	Circuit Board	PS70U	P S 7 0 シート U	P7000S U,V,T	
170	WB108600	Circuit Board	PS70H	P S 7 0 シート H	P7000S B,H,W	
170	WB108700	Circuit Board	PS70A	P S 7 0 シート A	P7000S A	
170	WC563400	Circuit Board	PS70K	P S 7 0 シート K	P7000S K	
180	EP630210	Bind Head Tapping Screw-S	3.0X6 MFZN2BL	+ バインドSタイト		9 01
190	V9842200	AC Cord	J VCTF 2.0X3	電源コード J		08
190	WC183200	AC Cord	UC SJT 3X#18 10A	電源コード U,V,T		
190	WC183300	AC Cord	H H05VV-F0.75X316A	電源コード H,W,A,K		
190	WC183500	AC Cord	BS H05VV-F 13A	電源コード B		
195	--	Cord Strap	PE210MM HUAI NA	電源コードバンド		(WB95330)
196	--	Label	J	注意ラベル J 電源コード用		(WB12860)
200	VV103100	Cord Strain Relief	SR-6P1	コードストッパー		01
210	VP156800	Bind Head Screw	A4.0X8 MFZN2BL	+ バインド小ネジ		2 01
220	V9995100	Circuit Board	IN P3500S	I N シート		26
230	V9665200	Knob, VR	WHITE/GRAY	ノブ V R (S)		2 01
240	WA010900	Connector Assembly	ATT	束線		
250	--	Connector Assembly	SIG	束線		(WA87410)
260	VN413300	Bonding Tapping Screw-B	3.0X8 MFZN2BL	ボンディングBタイト		4 01
270	WA058500	Hex Spacer	H=24.5 B=5.5	六角スペーサー		2
280	EP630210	Bind Head Tapping Screw-S	3.0X6 MFZN2BL	+ バインドSタイト		4 01
290	WA775100	GND Film	P2	アースフィルム		
310	VQ074600	Bind Head Tapping Screw-B	3.0X12 MFZN2BL	+ バインドBタイト		2 01
320	EP600790	Flat Head Tapping Screw-B	3.0X8 MFZN2BL	+ 皿 B タイト		4 01
340	WB100400	Front Panel 1	P5000S PRINTED	フロントパネル1印刷上り	P5000S	
340	WB100300	Front Panel 1	P7000S PRINTED	フロントパネル1印刷上り	P7000S	
350	WB086400	Front Panel 2	P2-55 PRINTED	フロントパネル2印刷上り		
360	WA673200	Hex Socket Tapping Screw-S	3.0X10 MFZN2BL	六角穴付きSタイト		8
370	WA060500	Handle 2U	P2 PAINTED	ハンドル 2U 塗装上り		2 06
380	WA060600	Handle Angle	P2	ハンドルアングル		2 02
390	VU688000	Bind Head Screw	SP 5.0X16 MFZN2BL	+ バインド小ネジ		4 01

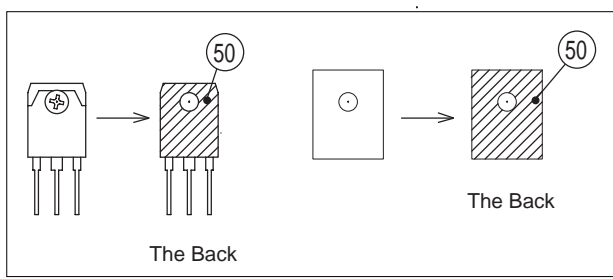
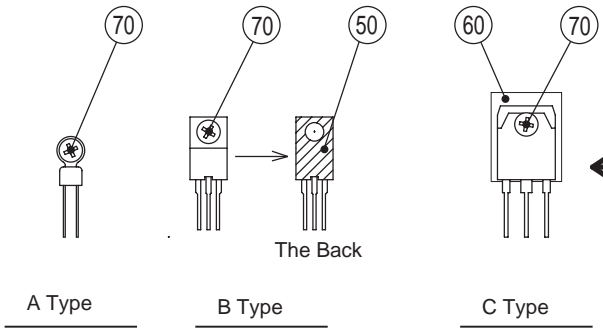
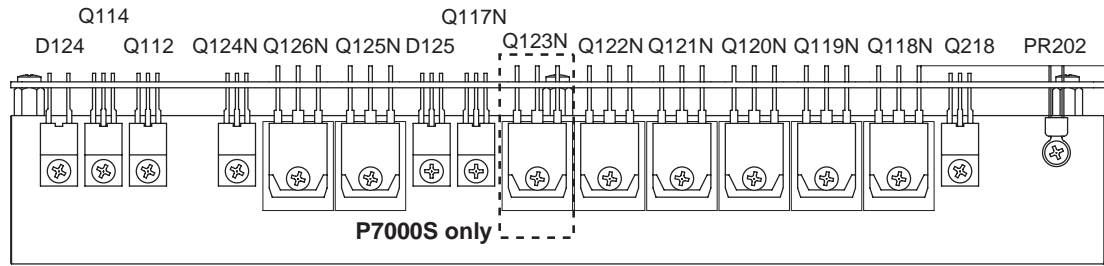
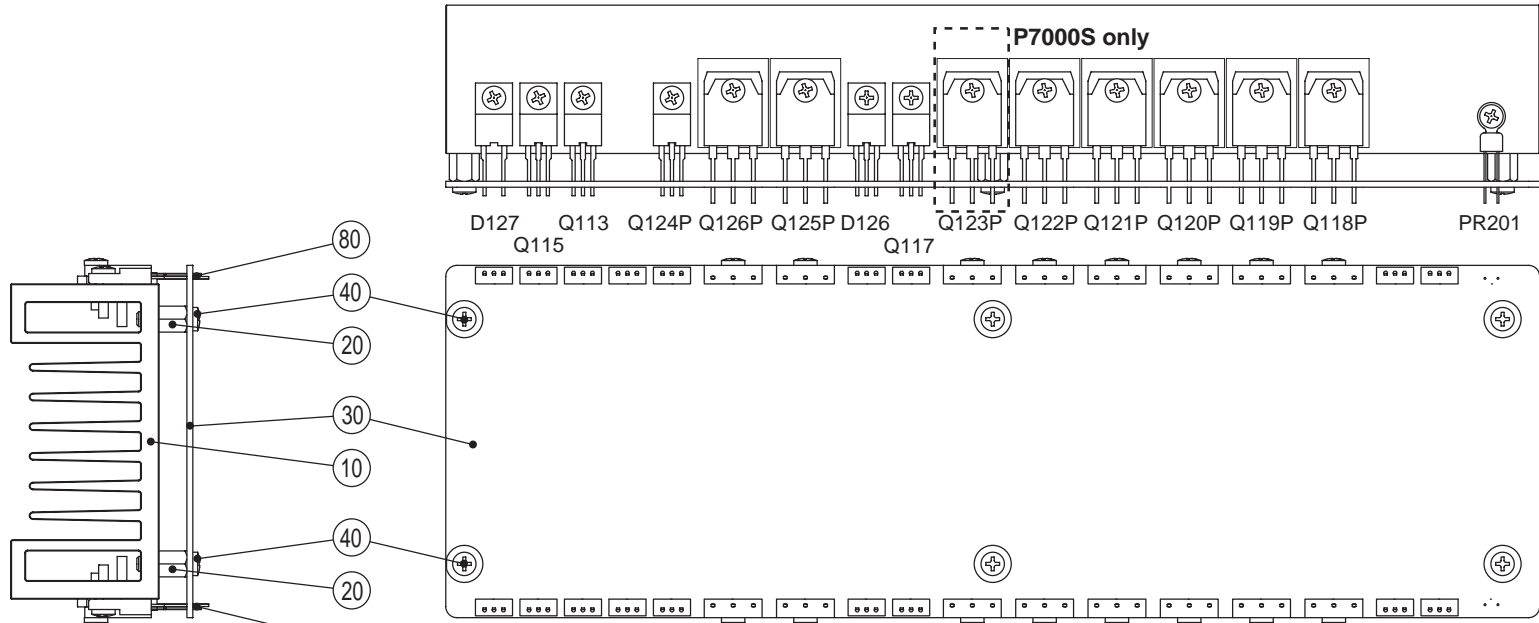
*: New Parts (新規部品)

RANK: Japan only

REF NO.	PART NO.	DESCRIPTION	部 品 名	REMARKS	QTY	RANK
400	WA060700	Escutcheon, Power Switch	P2	P S W エスカッション		
410	EG340190	Bind Head Tapping Screw-B	4.0X8 MFZN2BL	+ バインド B タイト	6	01
420	WA061300	Rack Angle	P2 PAINTED	ラックアングル 塗装上り	2	05
430	VA221600	Bind Head Screw	4.0X10 MFZN2BL	+ バインド 小ネジ	6	01
440	--	Connector Assembly	C&C 11P 500L	束線 # 2 8	2	
450	--	Tube	BLACK 600V 18.0	熱収縮チューブ		
460	VV104600	Cord Holder	CV-100	インシュロックタイ	14	01
470	WA061500	Top Cover	P2 PAINTED	トップカバー 塗装上り		09
480	EG340190	Bind Head Tapping Screw-B	4.0X8 MFZN2BL	+ バインド B タイト	11	01
490	--	Label	P5000S-J	ラ ベ ル	P5000S J (WB09960)	
490	--	Label	P5000S-U	ラ ベ ル	P5000S U,V (WB09970)	
490	--	Label	P5000S-HB	ラ ベ ル	P5000S H,W,B (WB09980)	
490	--	Label	P5000S-A	ラ ベ ル	P5000S A (WB09990)	
490	--	Label	P5000S-K	ラ ベ ル	P5000S K (WB10000)	
490	--	Label	P5000S-T	ラ ベ ル	P5000S T (WB44210)	
490	--	Label	P7000S-J	ラベル P 7 0 0 0 S - J	P7000S J (WB09910)	
490	--	Label	P7000S-U	ラ ベ ル	P7000S U,V (WB09920)	
490	--	Label	P7000S-HB	ラ ベ ル	P7000S H,W,B (WB09930)	
490	--	Label	P7000S-A	ラ ベ ル	P7000S A (WB09940)	
490	--	Label	P7000S-K	ラ ベ ル	P7000S K (WB09950)	
490	--	Label	P7000S-T	ラ ベ ル	P7000S T (WB44200)	
495	--	Label	FCC	ラ ベ ル	U,V (WC02660)	
500	WA833300	SP Terminal Cover	P2 PRINTED	S P ターミナルカバー印刷		02
510	EP30210	Bind Head Tapping Screw-S	3.0X6 MFZN2BL	+ バインド S タイト	2	01
80a	--	Circuit Board	SUB VR	シ - ト V R	(WB17830) (V999530)	
80b	--	Circuit Board	SUB PSW	シ - ト P S W	(WB17830) (WA04000)	
80c	--	Circuit Board	SUB LED	シ - ト L E D	(WB17830) (WA04010)	
80d	--	Circuit Board	SUB OUT1	シ - ト O U T 1	(WB17830) (WA03990)	
80e	--	Circuit Board	SUB OUT2	シ - ト O U T 2	(WB17830) (WB17840)	
		ACCESSORIES		付 属 品		
a	WA588500	Security Cover Assembly	P2	S / C A s s ' y		03
b	--	Security Cover	P2	セキュリティカバー	(WA62960)	
		Allen Wrench	2mm 10x32 BL	六角レンチ	(WA76550)	

*: New Parts (新規部品)

RANK: Japan only



Note:
 1. Quantity A type, B type and C type: Refer to a parts list.
 2. There is not any burrs and convex wound in fitting of each types area.

Read : MAX. 3.0mm

REF NO.	PART NO.	DESCRIPTION	部 品 名	REMARKS	QTY	RANK
*	WB100200	PA UNIT	P A ユ ニ ッ ト	P5000S/P7000S		
*	WB100100	PA Unit	P A ユ ニ ッ ト	P5000S		
10	--	Heat Sink	P2		(WA05830)	
20	WA058400	Hex Spacer	H=7.5 B=5.5	六角スペーサー		6
30	WB108300	Circuit Board	PAH50	P A H 5 0 シ ー ト	P5000S	
30	WB108200	Circuit Board	PAH70	P A H 7 0 シ ー ト	P7000S	
40	EP630210	Bind Head Tapping Screw-S	3.0X6 MFZN2BL	+ バ イ ン ド S タ イ ト		6 01
50	--	Grease	X-113A G746	シリコングリス	(VA79810)	
60	WB448600	Insulation Sheet	RIS T=0.07	放 熱 シ - ト	P5000S	14
60	WB448600	Insulation Sheet	RIS T=0.07	放 熱 シ - ト	P7000S	16
70	VB763800	Bind Head Screw	SP 3.0X12 MFZN2Y	+ バ イ ン ド 小 ネ ジ	P5000S	29 01
70	VB763800	Bind Head Screw	SP 3.0X12 MFZN2Y	+ バ イ ン ド 小 ネ ジ	P7000S	31 01
D124	V6351700	Diode	SF20L60U	ダ イ オ - ド		06
D125	V4816400	Diode	FMU-22U 10A 200V	ダ イ オ - ド ス タ ッ ク		03
D126	V4816400	Diode	FMU-22U 10A 200V	ダ イ オ - ド ス タ ッ ク		03
D127	V6351700	Diode	SF20L60U	ダ イ オ - ド		06
Q112	V8093500	FET	2SK3003	F E T		04
Q113	V8093500	FET	2SK3003	F E T		04
Q114	V8093500	FET	2SK3003	F E T		04
Q115	V8093500	FET	2SK3003	F E T		04
Q218	VQ547300	Transistor	2SC4793 (HFE)	ト ラ ン ジ ス タ		03
PR201	VL965100	Positive Thermistor	PTH9M04BE222TS2	ポ ジ ス タ		04
PR202	VL964800	Positive Thermistor	PTH9M04BH222TS2	ポ ジ ス タ		04
Q117N	VQ547400	Transistor	A1837/C4793 (HFE)	ベ ア ト ラ ン ジ ス タ		04
Q117P	VQ547400	Transistor	A1837/C4793 (HFE)	ベ ア ト ラ ン ジ ス タ		04
Q118N	V8094900	Pair Transistor	A1492AC3856A(260)	ベ ア ト ラ ン ジ ス タ		05
Q118P	V8094900	Pair Transistor	A1492AC3856A(260)	ベ ア ト ラ ン ジ ス タ		05
Q119N	V8094900	Pair Transistor	A1492AC3856A(260)	ベ ア ト ラ ン ジ ス タ		05
Q119P	V8094900	Pair Transistor	A1492AC3856A(260)	ベ ア ト ラ ン ジ ス タ		05
Q120N	V8094900	Pair Transistor	A1492AC3856A(260)	ベ ア ト ラ ン ジ ス タ		05
Q120P	V8094900	Pair Transistor	A1492AC3856A(260)	ベ ア ト ラ ン ジ ス タ		05
Q121N	V8094900	Pair Transistor	A1492AC3856A(260)	ベ ア ト ラ ン ジ ス タ		05
Q121P	V8094900	Pair Transistor	A1492AC3856A(260)	ベ ア ト ラ ン ジ ス タ		05
Q122N	V8094900	Pair Transistor	A1492AC3856A(260)	ベ ア ト ラ ン ジ ス タ		05
Q122P	V8094900	Pair Transistor	A1492AC3856A(260)	ベ ア ト ラ ン ジ ス タ		05
Q123N	V8094900	Pair Transistor	A1492AC3856A(260)	ベ ア ト ラ ン ジ ス タ	P7000S	05
Q123P	V8094900	Pair Transistor	A1492AC3856A(260)	ベ ア ト ラ ン ジ ス タ	P7000S	05
Q124N	VQ547400	Transistor	A1837/C4793 (HFE)	ベ ア ト ラ ン ジ ス タ		04
Q124P	VQ547400	Transistor	A1837/C4793 (HFE)	ベ ア ト ラ ン ジ ス タ		04
Q125N	V8094900	Pair Transistor	A1492AC3856A(260)	ベ ア ト ラ ン ジ ス タ		05
Q125P	V8094900	Pair Transistor	A1492AC3856A(260)	ベ ア ト ラ ン ジ ス タ		05
Q126N	V8094900	Pair Transistor	A1492AC3856A(260)	ベ ア ト ラ ン ジ ス タ		05
Q126P	V8094900	Pair Transistor	A1492AC3856A(260)	ベ ア ト ラ ン ジ ス タ		05

*: New Parts (新規部品)

RANK: Japan only

■ ELECTRICAL PARTS (電気部品)

REF NO.	PART NO.	DESCRIPTION	部 品 名	REMARKS	QTY	RANK
		ELECTRICAL PARTS				
*	WC188200	Circuit Board	COIL70J	電 気 部 品 シートCOIL70J	P5000S/P7000S J (X4945A0)	26
*	WC188300	Circuit Board	COIL70H	シートCOIL70H	H,W,B (X4945A0)	
*	V9995100	Circuit Board	IN P3500S	I N シ ー ト	(X3501C0)	
*	WB108800	Circuit Board	PS50J	P S 5 0 シ ー ト	J P5000S (X3851B0/C0)	
*	WB108900	Circuit Board	PS50U	P S 5 0 シ ー ト	U P5000S U,V,T (X3851B0/C0)	
*	WB109000	Circuit Board	PS50H	P S 5 0 シ ー ト	H P5000S B,H,W (X3851B0/C0)	
*	WB109100	Circuit Board	PS50A	P S 5 0 シ ー ト	A P5000S A (X3851B0/C0)	
*	WC563600	Circuit Board	PS50K	P S 5 0 シ ー ト	K P5000S K (X3851B0/C0)	
*	WB108400	Circuit Board	PS70J	P S 7 0 シ ー ト	J P7000S J (X3851B0/C0)	
*	WB108500	Circuit Board	PS70U	P S 7 0 シ ー ト	U P7000S U,V,T (X3851B0/C0)	
*	WB108600	Circuit Board	PS70H	P S 7 0 シ ー ト	H P7000S B,H,W (X3851B0/C0)	
*	WB108700	Circuit Board	PS70A	P S 7 0 シ ー ト	A P7000S A (X3851B0/C0)	
*	WC563400	Circuit Board	PS70K	P S 7 0 シ ー ト	K P7000S K (X3851B0/C0)	
*	WB178300	Circuit Board	SUB P2-70	S U B シ ー ト P 2 - 7 0	(X3851B0/C0)	
10	--	Circuit Board	VR P3500S	シ ー ト V R	(WB17830)(V999530)	
20	--	Circuit Board	PSW P3500S	シ ー ト P S W	(WB17830)(WA04000)	
30	--	Circuit Board	LED P3500S	シ ー ト L E D	(WB17830)(WA04010)	
40	--	Circuit Board	OUT1 P3500S	シ ー ト O U T 1	(WB17830)(WA03990)	
50	--	Circuit Board	OUT2 P2-70	シ ー ト O U T 2	(WB17830)(WB17840)	
*	WB108300	Circuit Board	PAH50	P A H 5 0 シ ー ト	P5000S (X3850B0)	
*	WB108200	Circuit Board	PAH70	P A H 7 0 シ ー ト	P7000S (X3850B0)	
*	WC188200	Circuit Board	COIL70J	シートCOIL70J	J (X4945A0)	
L701	WC175800	Coil	EI48 0.8MH	コ イ ル		
L702	WC175800	Coil	EI48 0.8MH	コ イ ル		
W701	--	Connector Assembly	B&C	束 線	(WC18680)	
W702	--	Connector Assembly	B&C	束 線	(WC18670)	
*	WC188300	Circuit Board	COIL70H	シートCOIL70H	H,W,B (X4945A0)	
*	WC439000	Cord Holder	TP-200ST	インシュロックタイ		
L701	V0076300	Coil	EI	チ ョ ー ク コ イ ル		
L702	V0076300	Coil	EI	チ ョ ー ク コ イ ル		
W701	--	Connector Assembly	B&C	束 線	(WC18680)	
W702	--	Connector Assembly	B&C	束 線	(WC18670)	
	V9995100	Circuit Board	IN P3500S	I N シ ー ト	(X3501C0)	
C301	V9720700	Ceramic Capacitor (Chip)	22P 50V K 0603	チ ッ プ セ ラ		
-304	V9720700	Ceramic Capacitor (Chip)	22P 50V K 0603	チ ッ プ セ ラ		
C305	V9721200	Ceramic Capacitor (Chip)	56P 50V K 0603	チ ッ プ セ ラ		
-308	V9721200	Ceramic Capacitor (Chip)	56P 50V K 0603	チ ッ プ セ ラ		
C309	V9720700	Ceramic Capacitor (Chip)	22P 50V K 0603	チ ッ プ セ ラ		
C310	WA628700	Mylar Capacitor	0.1200 63V J ST	マ イ ラ - コ ン		
-313	WA628700	Mylar Capacitor	0.1200 63V J ST	マ イ ラ - コ ン		
C314	VV062500	Mylar Capacitor	0.056 50V J	マ イ ラ - コ ン	01	
-317	VV062500	Mylar Capacitor	0.056 50V J	マ イ ラ - コ ン	01	
C318	V9722900	Ceramic Capacitor (Chip)	0.1 16V M 0603	チ ッ プ セ ラ		
-331	V9722900	Ceramic Capacitor (Chip)	0.1 16V M 0603	チ ッ プ セ ラ		
C332	V9727600	Electrolytic Cap.	4.7 50.0V	ケ ミ コ ン	01	
C333	V9727600	Electrolytic Cap.	4.7 50.0V	ケ ミ コ ン	01	
CN301	VB390400	Connector Base Post	PH- 8P TE	コネクタベースポスト	01	
CN302	VB390300	Connector Base Post	PH- 7P TE	コネクタベースポスト	01	
D301	VT332900	Diode	1SS355 TE-17	ダ イ オ ー ド	01	
-304	VT332900	Diode	1SS355 TE-17	ダ イ オ ー ド	01	
IC301	XJ553A00	IC	NJM2068MD-T1	I C	OP AMP 02	
-307	XJ553A00	IC	NJM2068MD-T1	I C	OP AMP 02	
J303	--	Jumper Wire	0.60	ジ ャ ン パ ー 線	(VV29140) 01	
-306	--	Jumper Wire	0.60	ジ ャ ン パ ー 線	(VV29140) 01	
JK301	WA767800	XLM Connector	XLR-301J-*	キャノンコネクタ	INPUT A 03	
JK302	WA767800	XLM Connector	XLR-301J-*	キャノンコネクタ	INPUT B 03	
JK303	V9812600	Phone Jack	ST MSJ-064-20B B	ホ ー ン コ ネ ク タ	INPUT A 01	
JK304	V9812600	Phone Jack	ST MSJ-064-20B B	ホ ー ン コ ネ ク タ	INPUT B 01	
R301	V9936900	Metal Film (chip)	15K 1/16	チ ッ プ 金 被 抵 抗		
-308	V9936900	Metal Film (chip)	15K 1/16	チ ッ プ 金 被 抵 抗		
R309	V9937000	Metal Film (chip)	6.2K 1/16	チ ッ プ 金 被 抵 抗	01	
-311	V9937000	Metal Film (chip)	6.2K 1/16	チ ッ プ 金 被 抵 抗	01	
R312	V9710000	Carbon Resistor (chip)	18 0.1 J	チ ッ プ 抵 抗		
-314	V9710000	Carbon Resistor (chip)	18 0.1 J	チ ッ プ 抵 抗		
R315	V9936800	Metal Film (chip)	9.1K 1/16	チ ッ プ 金 被 抵 抗		
R316	V9936800	Metal Film (chip)	9.1K 1/16	チ ッ プ 金 被 抵 抗		

*: New Parts (新規部品)

RANK: Japan only

REF NO.	PART NO.	DESCRIPTION		部 品 名	REMARKS	QTY	RANK
R317	V9712100	Carbon Resistor (chip)	1K 0.1 J	チ ッ プ 抵 抗			
R318	V9936800	Metal Film (chip)	9.1K 1/16	チ ッ プ 金 被 抵 抗			
R319	V9712100	Carbon Resistor (chip)	1K 0.1 J	チ ッ プ 抵 抗			
R320	V9936800	Metal Film (chip)	9.1K 1/16	チ ッ プ 金 被 抵 抗			
R321	V9937000	Metal Film (chip)	6.2K 1/16	チ ッ プ 金 被 抵 抗			01
R322	V9937000	Metal Film (chip)	6.2K 1/16	チ ッ プ 金 被 抵 抗			01
R323	V9718500	Metal Film (chip)	10K 1/16 D	チ ッ プ 金 被 抵 抗			
R324	V9718500	Metal Film (chip)	10K 1/16 D	チ ッ プ 金 被 抵 抗			
R325	V9712100	Carbon Resistor (chip)	1K 0.1 J	チ ッ プ 抵 抗			
R326	V9712100	Carbon Resistor (chip)	1K 0.1 J	チ ッ プ 抵 抗			
R327	V9713400	Carbon Resistor (chip)	5.1K 0.1 J	チ ッ プ 抵 抗			
R328	V9718100	Metal Film (chip)	3.9K 1/16 D	チ ッ プ 金 被 抵 抗			
R329	V9718500	Metal Film (chip)	10K 1/16 D	チ ッ プ 金 被 抵 抗			
R330	V9718500	Metal Film (chip)	10K 1/16 D	チ ッ プ 金 被 抵 抗			
R331	V9719500	Metal Film (chip)	82K 1/16 D	チ ッ プ 金 被 抵 抗			
R332	V9710000	Carbon Resistor (chip)	18 0.1 J	チ ッ プ 抵 抗			
R333	V9710000	Carbon Resistor (chip)	18 0.1 J	チ ッ プ 抵 抗			
R334	V9718500	Metal Film (chip)	10K 1/16 D	チ ッ プ 金 被 抵 抗			
R335	V9718500	Metal Film (chip)	10K 1/16 D	チ ッ プ 金 被 抵 抗			
R336	V9950200	Metal Film Resistor	1.0M 1/4 F	金 属 被 膜 抵 抗			
R337	V9950200	Metal Film Resistor	1.0M 1/4 F	金 属 被 膜 抵 抗			
R338	V9718700	Metal Film (chip)	18K 1/16 D	チ ッ プ 金 被 抵 抗			
R339	V9718700	Metal Film (chip)	18K 1/16 D	チ ッ プ 金 被 抵 抗			
R340	V9710000	Carbon Resistor (chip)	18 0.1 J	チ ッ プ 抵 抗			
R341	V9712100	Carbon Resistor (chip)	1K 0.1 J	チ ッ プ 抵 抗			
R342	V9712100	Carbon Resistor (chip)	1K 0.1 J	チ ッ プ 抵 抗			
R343	V9718100	Metal Film (chip)	3.9K 1/16 D	チ ッ プ 金 被 抵 抗			
R344	V9719500	Metal Film (chip)	82K 1/16 D	チ ッ プ 金 被 抵 抗			
R345	V9950200	Metal Film Resistor	1.0M 1/4 F	金 属 被 膜 抵 抗			
R346	V9950200	Metal Film Resistor	1.0M 1/4 F	金 属 被 膜 抵 抗			
R347	V9718700	Metal Film (chip)	18K 1/16 D	チ ッ プ 金 被 抵 抗			
R348	V9718700	Metal Film (chip)	18K 1/16 D	チ ッ プ 金 被 抵 抗			
R349	V9712100	Carbon Resistor (chip)	1K 0.1 J	チ ッ プ 抵 抗			
R350	V9712100	Carbon Resistor (chip)	1K 0.1 J	チ ッ プ 抵 抗			
R351	V9710000	Carbon Resistor (chip)	18 0.1 J	チ ッ プ 抵 抗			
-353	V9710000	Carbon Resistor (chip)	18 0.1 J	チ ッ プ 抵 抗			
SW301	V2802500	Slide Switch	SS001-P223BDB-PA14	ス ラ イ ド ス W 2 - 3	STEREO/BRIDGE/PARALELL		03
SW302	WA025500	Slide Switch	SS001-P242BPc-PA14	ス ラ イ ド ス W	YS PROCESSING ON/OFF		03
SW303	V2802500	Slide Switch	SS001-P223BDB-PA14	ス ラ イ ド ス W 2 - 3	OFF/SUBWOOFER/LOWCUT Ach		03
SW304	V2802500	Slide Switch	SS001-P223BDB-PA14	ス ラ イ ド ス W 2 - 3	OFF/SUBWOOFER/LOWCUT Bch		03
VR301	V9791300	Rotary Variable Resistor	C 100K XV012313	2 連 口 - タ リ - V R	FREQUENCY Ach		02
VR302	V9791300	Rotary Variable Resistor	C 100K XV012313	2 連 口 - タ リ - V R	FREQUENCY Bch		02
W301	--	Connector Assembly	B&B	束	(WA01180)		
*	WB108800	Circuit Board	PS50J	P S 5 0 シ ー ト J	P5000S J (X3851B0/C0)		
*	WB108900	Circuit Board	PS50U	P S 5 0 シ ー ト U	P5000S U,V,T (X3851B0/C0)		
*	WB109000	Circuit Board	PS50H	P S 5 0 シ ー ト H	P5000S B,H,W (X3851B0/C0)		
*	WB109100	Circuit Board	PS50A	P S 5 0 シ ー ト A	P5000S A (X3851B0/C0)		
*	WC563600	Circuit Board	PS50K	P S 5 0 シ ー ト K	P5000S K (X3851B0/C0)		
	WA772200	Fuse Holder	WL-211	ヒ ュ ー ズ ホ ル ダ	J,U,V,T	2	
	VU801500	Fuse Holder	WL-210A	ヒ ュ ー ズ ホ ル ダ	B,H,W,K,A	2	01
*	WB122700	Heat Sink	OSV1545-L65-BPM	ヒ ー ト シ ン ク			
*	WB122600	Heat Sink	OSV1545-L100-BPM	ヒ ー ト シ ン ク			
	--	Grease	X-113A G746	シ リ コ ン グ リ ス	(VA79810)		
	WB448600	Insulation Sheet	RIS T=0.07	放 熱 シ - ト		2	01
	EG330380	Bind Head Screw	3.0X10 MFZN2BL	+ バ イ ン ド 小 ネ ジ		7	01
△*	C401	W615400	Mylar Capacitor	マ イ ラ - コ ン			
	C402	WB116000	Capacitor	規 格 認 定 コ ン			
	C403	WA862800	Electrolytic Cap.	ケ ミ コ ン			
	C404	V2439700	Mylar Capacitor	マ イ ラ - コ ン			01
	C405	WA862800	Electrolytic Cap.	ケ ミ コ ン			
△*	C406	WB116000	Capacitor	規 格 認 定 コ ン			
	C407	V9726400	Electrolytic Cap.	ケ ミ コ ン			01
△	C408	V6185400	Capacitor	規 格 認 定 コ ン			01
△	C409	V6185400	Capacitor	規 格 認 定 コ ン			01
	C410	V2439700	Mylar Capacitor	マ イ ラ - コ ン			01
△*	C411	WB116000	Capacitor	規 格 認 定 コ ン			
	C412	V9723600	Ceramic Capacitor-SL	セ ラ コ ン (S L)			
	C413	V8499100	Electrolytic Cap.	ケ ミ コ ン	J,B,H,W,K,A		09
*	C413	WB543200	Electrolytic Cap.	ケ ミ コ ン	U,V,T		

*: New Parts (新規部品)

RANK: Japan only

REF NO.	PART NO.	DESCRIPTION	部 品 名	REMARKS	QTY	RANK
C414	V8499100	Electrolytic Cap.	2200 200V	ケ ミ コ ン	J,B,H,W,K,A	09
C414	WB543200	Electrolytic Cap.	2800 200V	ケ ミ コ ン	U,V,T	
C415	V9724100	Electrolytic Cap.	0.01	セラコン (Y 5 V)		
C416	V8499100	Electrolytic Cap.	2200 200V	ケ ミ コ ン	J,B,H,W,K,A	09
C416	WB543200	Electrolytic Cap.	2800 200V	ケ ミ コ ン	U,V,T	
C417	V8499100	Electrolytic Cap.	2200 200V	ケ ミ コ ン	J,B,H,W,K,A	09
C417	WB543200	Electrolytic Cap.	2800 200V	ケ ミ コ ン	U,V,T	
C418	WA862800	Electrolytic Cap.	10.00 35.0V	ケ ミ コ ン		
C420	WB543800	Polypropylene Capacitor	0.4700 400V J	P P コ ン	J	
C420	WB544300	Polypropylene Capacitor	0.4300 400V J	P P コ ン	B,H,W,K	
C420	WB544400	Polypropylene Capacitor	0.3900 400V J	P P コ ン	U,V,T,A	
C422	WA862800	Electrolytic Cap.	10.00 35.0V	ケ ミ コ ン		
C423	WA615400	Mylar Capacitor	0.1000 63V J ST	マイラ - コ ン		
C424	V9724100	Ceramic Capacitor	0.01	セラコン (Y 5 V)		
C425	V6113500	Capacitor	1000P 400V J.U.C.S	規 格 認 定 コ ン		
C426	V9726500	Electrolytic Cap.	10.00 25.0V	ケ ミ コ ン		01
C427	V9723600	Ceramic Capacitor-SL	22P 50V J	セラコン (S L)		
C428	V9728100	Electrolytic Cap.	470.00 35.0V	ケ ミ コ ン		01
C429	WA862800	Electrolytic Cap.	10.00 35.0V	ケ ミ コ ン		
C430	V9723300	Ceramic Capacitor	1000P 50V K	セラコン (Y 5 U)		
C431	WA615400	Mylar Capacitor	0.1000 63V J ST	マイラ - コ ン		
C432	WA862800	Electrolytic Cap.	10.00 35.0V	ケ ミ コ ン		
C433	V9727600	Electrolytic Cap.	4.7 50.0V	ケ ミ コ ン		01
C434	WA615400	Mylar Capacitor	0.1000 63V J ST	マイラ - コ ン		
C435	V9724100	Electrolytic Cap.	0.01	セラコン (Y 5 V)		
C436	V9726600	Electrolytic Cap.	47.00 25.0V	ケ ミ コ ン		01
C437	WC015200	Electrolytic Cap.	330.00 50.0V	ケ ミ コ ン		
C438	V8740200	Electrolytic Cap.	560.00 200.0V	ケ ミ コ ン G U		06
C439	V8740200	Electrolytic Cap.	560.00 200.0V	ケ ミ コ ン G U		06
C440	V8500200	Electrolytic Cap.	470 50.0V	ケ ミ コ ン P W		03
C441	V8500200	Electrolytic Cap.	470 50.0V	ケ ミ コ ン P W		03
C442	V9728000	Electrolytic Cap.	47.00 50.0V	ケ ミ コ ン		01
C443	V9728000	Electrolytic Cap.	47.00 50.0V	ケ ミ コ ン		01
C444	V8740200	Electrolytic Cap.	560.00 200.0V	ケ ミ コ ン G U		06
C445	V8740200	Electrolytic Cap.	560.00 200.0V	ケ ミ コ ン G U		06
C446	V9728000	Electrolytic Cap.	47.00 50.0V	ケ ミ コ ン		01
C447	V9727700	Electrolytic Cap.	10.00 50.0V	ケ ミ コ ン		
C448	V9724100	Ceramic Capacitor	0.01	セラコン (Y 5 V)		
C449	V9723600	Ceramic Capacitor-SL	22P 50V J	セラコン (S L)		
C450	V9727500	Electrolytic Cap.	1.00 50.0V	ケ ミ コ ン		01
C451	V9727700	Electrolytic Cap.	10.00 50.0V	ケ ミ コ ン		
C452	V9727700	Electrolytic Cap.	10.00 50.0V	ケ ミ コ ン		
C453	V9726300	Electrolytic Cap.	470.00 10.0V	ケ ミ コ ン		
C454	WA615700	Mylar Capacitor	0.4700 63V J ST	マイラ - コ ン		
C455	WA615700	Mylar Capacitor	0.4700 63V J ST	マイラ - コ ン		
C456	V9724100	Ceramic Capacitor	0.01	セラコン (Y 5 V)		
C457	WB543800	Polypropylene Capacitor	0.4700 400V J	P P コ ン	J	
C457	WB544300	Polypropylene Capacitor	0.4300 400V J	P P コ ン	B,H,W,K	
C457	WB544400	Polypropylene Capacitor	0.3900 400V J	P P コ ン	U,V,T,A	
C458	V9724200	Ceramic Capacitor	100P 50V K	セラコン (Y 5 P)		
C459	WA615400	Mylar Capacitor	0.1000 63V J ST	マイラ - コ ン		
CN401	WA767700	Fasten Terminal	16611BL	ファ ス ト ン 端 子		
CN402	WA767700	Fasten Terminal	16611BL	ファ ス ト ン 端 子		
CN403	WA767700	Fasten Terminal	16611BL	ファ ス ト ン 端 子		
CN404	WA767700	Fasten Terminal	16611BL	ファ ス ト ン 端 子		
CN405	WA767700	Fasten Terminal	16611BL	ファ ス ト ン 端 子		
CN406	WA767700	Fasten Terminal	16611BL	ファ ス ト ン 端 子	J,B,H,W	
CN408	VB390000	Connector Base Post	PH- 4P TE	コネクタベースポスト		01
CN409	VB389800	Connector Base Post	PH- 2P TE	コネクタベースポスト		01
CN410	VB390600	Connector Base Post	PH-10P TE	コネクタベースポスト		01
CN411	VB390700	Connector Base Post	PH-11P TE	コネクタベースポスト		01
CN412	VB390700	Connector Base Post	PH-11P TE	コネクタベースポスト		01
CN413	VB389800	Connector Base Post	PH- 2P TE	コネクタベースポスト		01
CN415	WA767700	Fasten Terminal	16611BL	ファ ス ト ン 端 子	J,B,H,W	
CN416	WA767700	Fasten Terminal	16611BL	ファ ス ト ン 端 子	J,B,H,W	
△ D401	V4833600	Diode Stack	RBV2506 25.0A 600V	ダイオードスタック		04
D402	VD631600	Diode	1SS133,176,HSS104	ダイオード		01
D403	V8629800	Diode	AG01A WS	ダイオード		01
D404	WA757600	Diode	AL01Z	ダイオード		
D405	WA757600	Diode	AL01Z	ダイオード		

*: New Parts (新規部品)

RANK: Japan only

REF NO.	PART NO.	DESCRIPTION	部 品 名	REMARKS	QTY	RANK
D406	V8629700	Diode	RL3ALF014-302	ダイオード		02
D407	V8629700	Diode	RL3ALF014-302	ダイオード		02
△ D408	VU801600	Diode	1N4004L 26	ダイオード		01
△ -411	VU801600	Diode	1N4004L 26	ダイオード		01
△ D412	VN399500	Diode	FMU-36S 20.0A 600V	ダイオードスタック		05
△ D413	V8498700	Diode	FMU-36R 20.0A 600V	ダイオードスタック		04
△ D414	WA757600	Diode	AL01Z	ダイオード		
△ -417	WA757600	Diode	AL01Z	ダイオード		
△ D418	VU801600	Diode	1N4004L 26	ダイオード		01
△ D419	WA757600	Diode	AL01Z	ダイオード		
△ D420	WA757600	Diode	AL01Z	ダイオード		
△ D421	VD631600	Diode	1SS133,176,HSS104	ダイオード		01
△ D422	VD631600	Diode	1SS133,176,HSS104	ダイオード		01
△ D423	VU801600	Diode	1N4004L 26	ダイオード		01
△ D424	VG440800	Zener Diode	MTZ J 15.0B 15.0V	ツェナーダイオード		01
△ D425	VD631600	Diode	1SS133,176,HSS104	ダイオード		01
△ -427	VD631600	Diode	1SS133,176,HSS104	ダイオード		01
△ D428	VG437700	Zener Diode	MTZ J 5.6B 5.6V	ツェナーダイオード		01
△ D429	VD631600	Diode	1SS133,176,HSS104	ダイオード		01
△ -432	VD631600	Diode	1SS133,176,HSS104	ダイオード		01
△ D433	VG440800	Zener Diode	MTZ J 15.0B 15.0V	ツェナーダイオード		01
△ D434	VJ657300	Diode	AK03 V0	ダイオード		01
△ D435	VJ657300	Diode	AK03 V0	ダイオード		01
△ D436	VD631600	Diode	1SS133,176,HSS104	ダイオード		01
△ D437	VG440200	Zener Diode	MTZ J 12.0B 12.0V	ツェナーダイオード		01
△ D438	VG438300	Zener Diode	MTZ J 6.8B 6.8V	ツェナーダイオード		01
△ F401	V8932000	Fuse	25.00A JU	ヒューズ	J	03
△ F401	V8932100	Fuse	20.00A JU	ヒューズ	U,V,T	03
△ F401	V5413700	Fuse	TH10.00A IEC	ヒューズ	B,H,W,K,A	01
△ IC401	X2383A00	IC	SG3525AN	I	C Regulating Pulse Width Modulator	03
△ IC402	X2382A00	IC	IR2110	I	C High and Low Side Driver	06
△ IC403	XD853A00	IC	NJM7815FA	I	C Regulator +15V	03
△ IC404	XD853A00	IC	NJM7815FA	I	C Regulator +15V	03
△ IC405	XD854A00	IC	NJM7915FA	I	C Regulator -15V	03
△ J401	--	Jumper Wire	0.60	ジャンパー線	J,U,V,T (VV29140)	01
△ J402	--	Jumper Wire	0.60	ジャンパー線	J,U,V,T (VV29140)	01
△ J403	--	Jumper Wire	0.60	ジャンパー線	B,H,W,K,A (VV29140)	01
△ J408	--	Jumper Wire	0.60	ジャンパー線	(VV29140)	01
△ J409	--	Jumper Wire	0.60	ジャンパー線	(VV29140)	01
△ J410	--	Jumper Wire	0.60	ジャンパー線	U,V,T,K,A (VV29140)	01
△ -413	--	Jumper Wire	0.60	ジャンパー線	U,V,T,K,A (VV29140)	01
△ J414	--	Jumper Wire	0.60	ジャンパー線	(VV29140)	01
△ J415	--	Jumper Wire	0.60	ジャンパー線	(VV29140)	01
△ K401	--	Plate Ground	MG16/6FX	プレート GND	(V968400)	
△ L401	V8740400	Coil	SC-15-10JH	コイル		
△ L402	V9708500	Coil	FY10502MREZ	コイル 5 ミリ		10
△ L403	VR929200	Coil	LH L 08TB100K	コイル 10 UH		01
△ -405	VR929200	Coil	LH L 08TB100K	コイル 10 UH		01
△ PH401	V8100500	Photo Coupler	TLP421 GR	フォトカプラ		01
△ PR401	VM850600	Positive Thermistor	PTFM04BD222Q2N34B0	ポジスタ		04
△ Q401	V2797700	Transistor	2SC5395 E,F	トランジスタ		01
△ Q402	V2797600	Transistor	2SA1993 E,F	トランジスタ		01
△ Q403	VV911900	Digital Transistor	DTC114ESA-TP	デジタルトランジスタ		01
△ Q404	VD678500	Digital Transistor	DTA114ES	デジタルトランジスタ		01
△ Q405	VV911900	Digital Transistor	DTC114ESA-TP	デジタルトランジスタ		01
△ Q406	V8629500	Insulated Gate Bipolar Tra	IRG4PC50U	I G B T		08
△ Q407	V8629500	Insulated Gate Bipolar Tra	IRG4PC50U	I G B T		08
△ Q408	V2797600	Transistor	2SA1993 E,F	トランジスタ		01
△ Q409	V2797700	Transistor	2SC5395 E,F	トランジスタ		01
△ -411	V2797700	Transistor	2SC5395 E,F	トランジスタ		01
△ Q412	V2797600	Transistor	2SA1993 E,F	トランジスタ		01
△ Q413	VI242900	Transistor	2SA1020-Y(TPE6) Y	トランジスタ		01
△ Q414	V2797700	Transistor	2SC5395 E,F	トランジスタ		01
△ Q415	V2797700	Transistor	2SC5395 E,F	トランジスタ		01
△ Q416	VD678500	Digital Transistor	DTA114ES	デジタルトランジスタ		01
△ Q417	V2797600	Transistor	2SA1993 E,F	トランジスタ		01
△ Q418	VD678500	Digital Transistor	DTA114ES	デジタルトランジスタ		01
△ Q419	V2797700	Transistor	2SC5395 E,F	トランジスタ		01
△ Q420	V2797600	Transistor	2SA1993 E,F	トランジスタ		01
△ Q421	V2797700	Transistor	2SC5395 E,F	トランジスタ		01

*: New Parts (新規部品)

RANK: Japan only

REF NO.	PART NO.	DESCRIPTION	部 品 名	REMARKS	QTY	RANK
Q422	V2797600	Transistor	2SA1993 E,F	ト ラ ン ジ ス タ		01
Q423	VQ547200	Transistor	2SA1837 (HFE)	ト ラ ン ジ ス タ		03
Q424	VD678500	Digital Transistor	DTA114ES	デ ジ タ ル ト ラ ン ジ ス タ		01
Q425	V2797600	Transistor	2SA1993 E,F	ト ラ ン ジ ス タ		01
Q426	V2797700	Transistor	2SC5395 E,F	ト ラ ン ジ ス タ		01
-429	V2797700	Transistor	2SC5395 E,F	ト ラ ン ジ ス タ		01
R401	V9730300	Carbon Resistor	10K 1/8 J	カ ー ボ ン 抵 抗		
R402	WB542900	Metal Film Resistor	20K 1/4 F	金 属 被 膜 抵 抗		
R403	V9732600	Carbon Resistor	560 1/8 J	カ ー ボ ン 抵 抗		
R404	V9732600	Carbon Resistor	560 1/8 J	カ ー ボ ン 抵 抗		
R405	V9732300	Carbon Resistor	330 1/8 J	カ ー ボ ン 抵 抗		
R406	V9735400	Carbon Resistor	24K 1/8 J	カ ー ボ ン 抵 抗		
R407	V9736900	Carbon Resistor	120K 1/8 J	カ ー ボ ン 抵 抗		
R408	V9730500	Carbon Resistor	22K 1/8 J	カ ー ボ ン 抵 抗		
R409	V9734100	Carbon Resistor	4.7K 1/8 J	カ ー ボ ン 抵 抗		
△ R410	V9730600	Carbon Resistor	220K 1/8 J	カ ー ボ ン 抵 抗		
△ R411	V9730600	Carbon Resistor	220K 1/8 J	カ ー ボ ン 抵 抗		
R412	V9730300	Carbon Resistor	10K 1/8 J	カ ー ボ ン 抵 抗		
R413	V9730300	Carbon Resistor	10K 1/8 J	カ ー ボ ン 抵 抗		
R414	V9734100	Carbon Resistor	4.7K 1/8 J	カ ー ボ ン 抵 抗		
R415	V9730500	Carbon Resistor	22K 1/8 J	カ ー ボ ン 抵 抗		
△ R416	VN067400	Wire Wound Resistor	6.8 5W K	セ メ ン ト 抵 抗		03
R417	WB119100	Metal Oxide Film Resistor	100K 1W J	サ ン キ ン 抵 抗		
R418	WB119100	Metal Oxide Film Resistor	100K 1W J	サ ン キ ン 抵 抗		
R419	VV276700	Flame Proof C. Resistor	4.7 1/4 J	不 燃 化 カ ー ボ ン 抵 抗		01
R420	VV058500	Flame Proof C. Resistor	10.0 1/4 J	不 燃 化 カ ー ボ ン 抵 抗		01
R421	VV058500	Flame Proof C. Resistor	10.0 1/4 J	不 燃 化 カ ー ボ ン 抵 抗		01
R422	V9733700	Carbon Resistor	3.3K 1/8 J	カ ー ボ ン 抵 抗		
R423	V9734100	Carbon Resistor	4.7K 1/8 J	カ ー ボ ン 抵 抗		
R424	VZ370200	Wire Wound Resistor	0.1 5W K	セ メ ン ト 抵 抗		01
-427	VZ370200	Wire Wound Resistor	0.1 5W K	セ メ ン ト 抵 抗		01
R429	VV313600	Flame Proof C. Resistor	2.2 1/4 J	不 燃 化 カ ー ボ ン 抵 抗		01
R430	VV313600	Flame Proof C. Resistor	2.2 1/4 J	不 燃 化 カ ー ボ ン 抵 抗		01
R431	V9730300	Carbon Resistor	10K 1/8 J	カ ー ボ ン 抵 抗		
R432	V9730500	Carbon Resistor	22K 1/8 J	カ ー ボ ン 抵 抗		
R433	V9736100	Carbon Resistor	47K 1/8 J	カ ー ボ ン 抵 抗		
R434	V9730600	Carbon Resistor	220K 1/8 J	カ ー ボ ン 抵 抗		
R435	V9730600	Carbon Resistor	220K 1/8 J	カ ー ボ ン 抵 抗		
R436	V9736300	Carbon Resistor	56K 1/8 J	カ ー ボ ン 抵 抗		
R437	V9947800	Carbon Resistor	150K 1/8 J	カ ー ボ ン 抵 抗		
R438	V9736500	Carbon Resistor	68K 1/8 J	カ ー ボ ン 抵 抗		
R439	V9730400	Carbon Resistor	15K 1/8 J	カ ー ボ ン 抵 抗		
R440	V9730300	Carbon Resistor	10K 1/8 J	カ ー ボ ン 抵 抗		
R441	V9733000	Carbon Resistor	1.2K 1/8 J	カ ー ボ ン 抵 抗		
R442	V9730300	Carbon Resistor	10K 1/8 J	カ ー ボ ン 抵 抗		
R443	V9736800	Carbon Resistor	100K 1/8 J	カ ー ボ ン 抵 抗		
R444	V9736100	Carbon Resistor	47K 1/8 J	カ ー ボ ン 抵 抗		
R445	V9736100	Carbon Resistor	47K 1/8 J	カ ー ボ ン 抵 抗		
R446	V9730600	Carbon Resistor	220K 1/8 J	カ ー ボ ン 抵 抗		
R447	V9736500	Carbon Resistor	68K 1/8 J	カ ー ボ ン 抵 抗		
R448	V9736300	Carbon Resistor	56K 1/8 J	カ ー ボ ン 抵 抗		
R449	V9733000	Carbon Resistor	1.2K 1/8 J	カ ー ボ ン 抵 抗		
R450	V9730700	Carbon Resistor	10 1/8 J	カ ー ボ ン 抵 抗		
△ R451	VN067400	Wire Wound Resistor	6.8 5W K	セ メ ン ト 抵 抗		03
R452	V9730500	Carbon Resistor	22K 1/8 J	カ ー ボ ン 抵 抗		
R453	V9730300	Carbon Resistor	10K 1/8 J	カ ー ボ ン 抵 抗		
R454	V9736300	Carbon Resistor	56K 1/8 J	カ ー ボ ン 抵 抗		
R455	V9736800	Carbon Resistor	100K 1/8 J	カ ー ボ ン 抵 抗		
R456	V9736800	Carbon Resistor	100K 1/8 J	カ ー ボ ン 抵 抗		
R457	V9734600	Carbon Resistor	8.2K 1/8 J	カ ー ボ ン 抵 抗		
R458	V9732300	Carbon Resistor	330 1/8 J	カ ー ボ ン 抵 抗		
R459	V9734300	Carbon Resistor	5.6K 1/8 J	カ ー ボ ン 抵 抗		
R460	V9734600	Carbon Resistor	8.2K 1/8 J	カ ー ボ ン 抵 抗		
R461	V9733300	Carbon Resistor	1.8K 1/8 J	カ ー ボ ン 抵 抗		
R462	V9733300	Carbon Resistor	1.8K 1/8 J	カ ー ボ ン 抵 抗		
R463	V9732300	Carbon Resistor	330 1/8 J	カ ー ボ ン 抵 抗		
R464	V9733300	Carbon Resistor	1.8K 1/8 J	カ ー ボ ン 抵 抗		
R465	V9733300	Carbon Resistor	1.8K 1/8 J	カ ー ボ ン 抵 抗		
R466	V9734600	Carbon Resistor	8.2K 1/8 J	カ ー ボ ン 抵 抗		
R467	V9732100	Carbon Resistor	220 1/8 J	カ ー ボ ン 抵 抗		

*: New Parts (新規部品)

RANK: Japan only

REF NO.	PART NO.	DESCRIPTION	部 品 名	REMARKS	QTY	RANK
R468	V9734500	Carbon Resistor	6.8K 1/8 J	力 - ボ ン 抵 抗		
R469	V9733300	Carbon Resistor	1.8K 1/8 J	力 - ボ ン 抵 抗		
R470	V9733300	Carbon Resistor	1.8K 1/8 J	力 - ボ ン 抵 抗		
* R471	V9736900	Carbon Resistor	120K 1/8 J	力 - ボ ン 抵 抗		
* R472	V9736900	Carbon Resistor	120K 1/8 J	力 - ボ ン 抵 抗		
* R473	V9730600	Carbon Resistor	220K 1/8 J	力 - ボ ン 抵 抗		
R474	V9732100	Carbon Resistor	220 1/8 J	力 - ボ ン 抵 抗		
* R475	V9730600	Carbon Resistor	220K 1/8 J	力 - ボ ン 抵 抗		
R476	V9733500	Carbon Resistor	2.7K 1/8 J	力 - ボ ン 抵 抗		
R477	V9733500	Carbon Resistor	2.7K 1/8 J	力 - ボ ン 抵 抗		
R478	V9734300	Carbon Resistor	5.6K 1/8 J	力 - ボ ン 抵 抗		
R479	VV276700	Flame Proof C. Resistor	4.7 1/4 J	不 燃 化 カ - ボ ン 抵 抗		01
R480	V9730400	Carbon Resistor	15K 1/8 J	力 - ボ ン 抵 抗		
R481	V9730400	Carbon Resistor	15K 1/8 J	力 - ボ ン 抵 抗		
△ RY401	V8628500	Relay	JM1AN-P-DC24V	リ レ -		07
△* T401	X3875A00	Power Trasformer	J 20V	電 源 ト ラ ン ス P 2 - 1 0	J	
△* T401	X3876A00	Power Trasformer	U,V,T 20V	電 源 ト ラ ン ス P 2 - 1 0	U,V,T	
△* T401	X3877A00	Power Trasformer	B,H,W,K 20V	電 源 ト ラ ン ス P 2 - 1 0	B,H,W,K	
△* T401	X3878B00	Power Trasformer	A 20V	電 源 ト ラ ン ス P 2 - 1 0	A	
△* T402	X3883B00	Power Trasformer	J	電 源 ト ラ ン ス P 2 - 7	J	
△* T402	X3884B00	Power Trasformer	U,V,T,A	電 源 ト ラ ン ス P 2 - 7	U,V,T,A	
△* T402	X3885B00	Power Trasformer	B,H,W,K	電 源 ト ラ ン ス P 2 - 7	B,H,W,K	
* W401	WA872900	Connector Assembly	B&C	束 線		
* W402	WA873000	Connector Assembly	B&C	束 線		
* W403	WA873100	Connector Assembly	B&C	束 線		
* W406	WA873200	Connector Assembly	B&C	束 線		
* W407	WA873300	Connector Assembly	B&C	束 線		
* W408	WA873400	Connector Assembly	B&C	束 線		
*	WB108400	Circuit Board	PS70J	P S 7 0 シ ー ト J	P7000S J (X3851B0/C0)	
*	WB108500	Circuit Board	PS70U	P S 7 0 シ ー ト U	P7000S U,V,T (X3851B0/C0)	
*	WB108600	Circuit Board	PS70H	P S 7 0 シ ー ト H	P7000S B,H,W (X3851B0/C0)	
*	WB108700	Circuit Board	PS70A	P S 7 0 シ ー ト A	P7000S A (X3851B0/C0)	
*	WC563400	Circuit Board	PS70K	P S 7 0 シ ー ト K	P7000S K (X3851B0/C0)	
*	WA772200	Fuse Holder	WL-211	ヒ ュ ー ズ ホ ル ダ	J,U,V,T	2
*	VU801500	Fuse Holder	WL-210A	ヒ ュ ー ズ ホ ル ダ	B,H,W,K,A	2 01
*	WB122700	Heat Sink	OSV1545-L65-BPM	ヒ ー ト シ ン ク		
*	WB122600	Heat Sink	OSV1545-L100-BPM	ヒ ー ト シ ン ク		
*	--	Grease	X-113A G746	シ リ コ ン グ リ ス	(VA79810)	
*	WB448600	Insulation Sheet	RIS T=0.07	放 熱 シ - ト		2 01
*	EG330380	Bind Head Screw	3.0X10 MФЗN2BL	+ バ イ ン ド 小 ネ ジ		7 01
△* C401	WA615400	Mylar Capacitor	0.1000 63V J ST	マ イ ラ ー コ ン		
* C402	WB116000	Capacitor	1.000 275V U.C.S	規 格 認 定 コ ン		
* C403	WA862800	Electrolytic Cap.	10.00 35.0V	ケ ミ コ ン		
* C404	V2439700	Mylar Capacitor	470P 50V J	マ イ ラ ー コ ン		01
* C405	WA862800	Electrolytic Cap.	10.00 35.0V	ケ ミ コ ン		
△* C406	WB116000	Capacitor	1.000 275V U.C.S	規 格 認 定 コ ン		
* C407	V9726400	Electrolytic Cap.	100.00 16.0V	ケ ミ コ ン		01
△* C408	V6185400	Capacitor	3300P 400V J.U.C.S	規 格 認 定 コ ン		01
△* C409	V6185400	Capacitor	3300P 400V J.U.C.S	規 格 認 定 コ ン		01
△* C410	V2439700	Mylar Capacitor	470P 50V J	マ イ ラ ー コ ン		01
* C411	WB116000	Capacitor	1.000 275V U.C.S	規 格 認 定 コ ン		
* C412	V9723600	Ceramic Capacitor-SL	22P 50V J	セ ラ コ ン (S L)		
* C413	V8499100	Electrolytic Cap.	2200 200V	ケ ミ コ ン	U,V,T	
* C413	WB543100	Electrolytic Cap.	3300 180V	ケ ミ コ ン	J	
* C413	WB543200	Electrolytic Cap.	2800 180V	ケ ミ コ ン	B,H,W,K,A	
* C414	V8499100	Electrolytic Cap.	2200 200V	ケ ミ コ ン	U,V,T	
* C414	WB543100	Electrolytic Cap.	3300 180V	ケ ミ コ ン	J	
* C414	WB543200	Electrolytic Cap.	2800 180V	ケ ミ コ ン	B,H,W,K,A	
* C415	V9724100	Electrolytic Cap.	0.01	セ ラ コ ン (Y 5 V)		
* C416	V8499100	Electrolytic Cap.	2200 200V	ケ ミ コ ン	U,V,T	
* C416	WB543100	Electrolytic Cap.	3300 180V	ケ ミ コ ン	J	
* C416	WB543200	Electrolytic Cap.	2800 180V	ケ ミ コ ン	B,H,W,K,A	
* C417	V8499100	Electrolytic Cap.	2200 200V	ケ ミ コ ン	U,V,T	
* C417	WB543100	Electrolytic Cap.	3300 180V	ケ ミ コ ン	J	
* C417	WB543200	Electrolytic Cap.	2800 180V	ケ ミ コ ン	B,H,W,K,A	
* C418	WA862800	Electrolytic Cap.	10.00 35.0V	ケ ミ コ ン		
* C420	WB543800	Polypropylene Capacitor	0.4700 400V J	P P コ ン	J	
* C420	WB544300	Polypropylene Capacitor	0.4300 400V J	P P コ ン	B,H,W,K	
* C420	WB544400	Polypropylene Capacitor	0.3900 400V J	P P コ ン	U,V,T,A	

*: New Parts (新規部品)

RANK: Japan only

REF. NO.	PART NO.	DESCRIPTION		部 品 名	REMARKS	QTY	RANK
* C422	WA862800	Electrolytic Cap.	10.00 35.0V	ケ ミ コ ン			
C423	WA615400	Mylar Capacitor	0.1000 63V J ST	マ イ ラ - コ ン			
C424	V9724100	Electrolytic Cap.	0.01	セ ラ コ ン (Y 5 V)			
C425	V6113500	Capacitor	1000P 400V J.U.C.S	規 格 認 定 コ ン			
C426	V9726500	Electrolytic Cap.	10.00 25.0V	ケ ミ コ ン			01
* C427	V9723600	Ceramic Capacitor-SL	22P 50V J	セ ラ コ ン (S L)			
C428	V9728100	Electrolytic Cap.	470.00 35.0V	ケ ミ コ ン			01
* C429	WA862800	Electrolytic Cap.	10.00 35.0V	ケ ミ コ ン			
C430	V9723300	Ceramic Capacitor	1000P 50V K	セ ラ コ ン (Y 5 U)			
C431	WA615400	Mylar Capacitor	0.1000 63V J ST	マ イ ラ - コ ン			
* C432	WA862800	Electrolytic Cap.	10.00 35.0V	ケ ミ コ ン			
C433	V9727600	Electrolytic Cap.	4.7 50.0V	ケ ミ コ ン			01
C434	WA615400	Mylar Capacitor	0.1000 63V J ST	マ イ ラ - コ ン			
C435	V9724100	Ceramic Capacitor	0.01	セ ラ コ ン (Y 5 V)			
C436	V9726600	Electrolytic Cap.	47.00 25.0V	ケ ミ コ ン			01
* C437	WC015200	Electrolytic Cap.	330.00 50.0V	ケ ミ コ ン			
C438	V8740200	Electrolytic Cap.	560.00 200.0V	ケ ミ コ ン G U			06
C439	V8740200	Electrolytic Cap.	560.00 200.0V	ケ ミ コ ン G U			06
C440	V8500200	Electrolytic Cap.	470 50.0V	ケ ミ コ ン P W			03
C441	V8500200	Electrolytic Cap.	470 50.0V	ケ ミ コ ン P W			03
C442	V9728000	Electrolytic Cap.	47.00 50.0V	ケ ミ コ ン			01
C443	V9728000	Electrolytic Cap.	47.00 50.0V	ケ ミ コ ン			01
C444	V8740200	Electrolytic Cap.	560.00 200.0V	ケ ミ コ ン G U			06
C445	V8740200	Electrolytic Cap.	560.00 200.0V	ケ ミ コ ン G U			06
C446	V9728000	Electrolytic Cap.	47.00 50.0V	ケ ミ コ ン			01
C447	V9727700	Electrolytic Cap.	10.00 50.0V	ケ ミ コ ン			
C448	V9724100	Ceramic Capacitor	0.01	セ ラ コ ン (Y 5 V)			
* C449	V9723600	Ceramic Capacitor-SL	22P 50V J	セ ラ コ ン (S L)			
C450	V9727500	Electrolytic Cap.	1.00 50.0V	ケ ミ コ ン			01
C451	V9727700	Electrolytic Cap.	10.00 50.0V	ケ ミ コ ン			
C452	V9727700	Electrolytic Cap.	10.00 50.0V	ケ ミ コ ン			
C453	V9726300	Electrolytic Cap.	470.00 10.0V	ケ ミ コ ン			
C454	WA615700	Mylar Capacitor	0.4700 63V J ST	マ イ ラ - コ ン			
C455	WA615700	Mylar Capacitor	0.4700 63V J ST	マ イ ラ - コ ン			
C456	V9724100	Ceramic Capacitor	0.01	セ ラ コ ン (Y 5 V)			
* C457	WB543800	Polypropylene Capacitor	0.4700 400V J	P P コ ン J			
* C457	WB544300	Polypropylene Capacitor	0.4300 400V J	P P コ ン	B,H,W,K		
* C457	WB544400	Polypropylene Capacitor	0.3900 400V J	P P コ ン	U,V,T,A		
C458	V9724200	Ceramic Capacitor	100P 50V K	セ ラ コ ン (Y 5 V)			
C459	WA615400	Mylar Capacitor	0.1000 63V J ST	マ イ ラ - コ ン			
CN401	WA767700	Fasten Terminal	16611BL	フ ァ ス ト ン 端 子			
CN402	WA767700	Fasten Terminal	16611BL	フ ァ ス ト ン 端 子			
CN403	WA767700	Fasten Terminal	16611BL	フ ァ ス ト ン 端 子			
CN404	WA767700	Fasten Terminal	16611BL	フ ァ ス ト ン 端 子			
CN405	WA767700	Fasten Terminal	16611BL	フ ァ ス ト ン 端 子			
CN406	WA767700	Fasten Terminal	16611BL	フ ァ ス ト ン 端 子	J,B,H,W		
CN408	VB390000	Connector Base Post	PH- 4P TE	コ ネ ク タ ベ ー ス ポ ス ト			01
CN409	VB389800	Connector Base Post	PH- 2P TE	コ ネ ク タ ベ ー ス ポ ス ト			01
CN410	VB390600	Connector Base Post	PH-10P TE	コ ネ ク タ ベ ー ス ポ ス ト			01
CN411	VB390700	Connector Base Post	PH-11P TE	コ ネ ク タ ベ ー ス ポ ス ト			01
CN412	VB390700	Connector Base Post	PH-11P TE	コ ネ ク タ ベ ー ス ポ ス ト			01
CN413	VB389800	Connector Base Post	PH- 2P TE	コ ネ ク タ ベ ー ス ポ ス ト			01
CN415	WA767700	Fasten Terminal	16611BL	フ ァ ス ト ン 端 子	J,B,H,W		
CN416	WA767700	Fasten Terminal	16611BL	フ ァ ス ト ン 端 子			
△ D401	V4833600	Diode Stack	RBV2506 25.0A 600V	ダ イ オ ー ド ス タ ッ ク			04
D402	VD631600	Diode	1SS133,176,HSS104	ダ イ オ ー ド			01
D403	V8629800	Diode	AG01A WS	ダ イ オ ー ド			01
D404	WA757600	Diode	AL01Z	ダ イ オ ー ド			
D405	WA757600	Diode	AL01Z	ダ イ オ ー ド			
D406	V8629700	Diode	RL3ALF014-302	ダ イ オ ー ド			02
D407	V8629700	Diode	RL3ALF014-302	ダ イ オ ー ド			02
△ D408	VU801600	Diode	1N4004L 26	ダ イ オ ー ド			01
△ -411	VU801600	Diode	1N4004L 26	ダ イ オ ー ド			01
△ D412	VN399500	Diode	FMU-36S 20.0A 600V	ダ イ オ ー ド ス タ ッ ク			05
△ D413	V8498700	Diode	FMU-36R 20.0A 600V	ダ イ オ ー ド ス タ ッ ク			04
△ D414	WA757600	Diode	AL01Z	ダ イ オ ー ド			
△ -417	WA757600	Diode	AL01Z	ダ イ オ ー ド			
D418	VU801600	Diode	1N4004L 26	ダ イ オ ー ド			01
△ D419	WA757600	Diode	AL01Z	ダ イ オ ー ド			
△ D420	WA757600	Diode	AL01Z	ダ イ オ ー ド			

** New Parts (新規部品)

RANK: Japan only

REF NO.	PART NO.	DESCRIPTION	部 品 名	REMARKS	QTY	RANK
D421	VD631600	Diode	1SS133,176,HSS104	ダイオード		01
D422	VD631600	Diode	1SS133,176,HSS104	ダイオード		01
D423	VU801600	Diode	1N4004L 26	ダイオード		01
D424	VG440800	Zener Diode	MTZ J 15.0B 15.0V	ツェナーダイオード		01
D425	VD631600	Diode	1SS133,176,HSS104	ダイオード		01
-427	VD631600	Diode	1SS133,176,HSS104	ダイオード		01
D428	VG437700	Zener Diode	MTZ J 5.6B 5.6V	ツェナーダイオード		01
D429	VD631600	Diode	1SS133,176,HSS104	ダイオード		01
-432	VD631600	Diode	1SS133,176,HSS104	ダイオード		01
D433	VG440800	Zener Diode	MTZ J 15.0B 15.0V	ツェナーダイオード		01
D434	VJ657300	Diode	AK03 V0	ダイオード		01
D435	VJ657300	Diode	AK03 V0	ダイオード		01
D436	VD631600	Diode	1SS133,176,HSS104	ダイオード		01
D437	VG440200	Zener Diode	MTZ J 12.0B 12.0V	ツェナーダイオード		01
D438	VG438300	Zener Diode	MTZ J 6.8B 6.8V	ツェナーダイオード		01
△ F401	WA864500	Fuse	30.00A JU	ヒューズ J		
△ F401	V8932000	Fuse	25.00A JU	ヒューズ U,V,T		03
△ F401	V5413700	Fuse	TH10.00A IEC	ヒューズ B,H,W,K,A		01
IC401	X2383A00	IC	SG3525AN	I C	Regulating Pulse Width Modulator	03
IC402	X2382A00	IC	IR2110	I C	High and Low Side Driver	06
IC403	XD853A00	IC	NJM7815FA	I C	Regulator +15V	03
IC404	XD853A00	IC	NJM7815FA	I C	Regulator +15V	03
IC405	XD854A00	IC	NJM7915FA	I C	Regulator -15V	03
J401	--	Jumper Wire	0.60	ジャンパー線	J,U,V,T (VV29140)	01
J402	--	Jumper Wire	0.60	ジャンパー線	J,U,V,T (VV29140)	01
J403	--	Jumper Wire	0.60	ジャンパー線	B,H,W,K,A (VV29140)	01
J408	--	Jumper Wire	0.60	ジャンパー線	(VV29140)	01
J409	--	Jumper Wire	0.60	ジャンパー線	(VV29140)	01
J410	--	Jumper Wire	0.60	ジャンパー線	U,V,T,K,A (VV29140)	01
-413	--	Jumper Wire	0.60	ジャンパー線	U,V,T,K,A (VV29140)	01
J414	--	Jumper Wire	0.60	ジャンパー線	(VV29140)	01
J415	--	Jumper Wire	0.60	ジャンパー線	(VV29140)	01
K401	--	Coil	MG/6FX	ブレート G N D	(V968400)	
△ L401	V8740400	Coil	SC-15-10JH	コイル		
△ L402	V9708500	Coil	FY10502MREZ	コイル 5 ミリ		10
L403	VR929200	Coil	LH L 08TB100K	コイル 1 0 U H		01
-405	VR929200	Coil	LH L 08TB100K	コイル 1 0 U H		01
PH401	V8100500	Photo Coupler	TLP421 GR	フォトカブラ		01
PR401	VM850600	Positive Thermistor	PTH9M04BD222TS2	ポジスタ		04
Q401	V2797700	Transistor	2SC5395 E,F	トランジスタ		01
Q402	V2797600	Transistor	2SA1993 E,F	トランジスタ		01
Q403	VV911900	Digital Transistor	DTC114ESA-TP	デジタルトランジスタ		01
Q404	VD678500	Digital Transistor	DTA114ES	デジタルトランジスタ		01
Q405	VV911900	Digital Transistor	DTC114ESA-TP	デジタルトランジスタ		01
Q406	V8629500	Insulated Gate Bipolar Tra	IRG4PC50U	I G B T		08
Q407	V8629500	Insulated Gate Bipolar Tra	IRG4PC50U	I G B T		08
Q408	V2797600	Transistor	2SA1993 E,F	トランジスタ		01
Q409	V2797700	Transistor	2SC5395 E,F	トランジスタ		01
-411	V2797700	Transistor	2SC5395 E,F	トランジスタ		01
Q412	V2797600	Transistor	2SA1993 E,F	トランジスタ		01
Q413	VI242900	Transistor	2SA1020-Y(TPE6) Y	トランジスタ		01
Q414	V2797700	Transistor	2SC5395 E,F	トランジスタ		01
Q415	V2797700	Transistor	2SC5395 E,F	トランジスタ		01
Q416	VD678500	Digital Transistor	DTA114ES	デジタルトランジスタ		01
Q417	V2797600	Transistor	2SA1993 E,F	トランジスタ		01
Q418	VD678500	Digital Transistor	DTA114ES	デジタルトランジスタ		01
Q419	V2797700	Transistor	2SC5395 E,F	トランジスタ		01
Q420	V2797600	Transistor	2SA1993 E,F	トランジスタ		01
Q421	V2797700	Transistor	2SC5395 E,F	トランジスタ		01
Q422	V2797600	Transistor	2SA1993 E,F	トランジスタ		01
Q423	VQ547200	Transistor	2SA1837 (HFE)	トランジスタ		03
Q424	VD678500	Digital Transistor	DTA114ES	デジタルトランジスタ		01
Q425	V2797600	Transistor	2SA1993 E,F	トランジスタ		01
Q426	V2797700	Transistor	2SC5395 E,F	トランジスタ		01
-429	V2797700	Transistor	2SC5395 E,F	トランジスタ		01
* R401	V9730300	Carbon Resistor	10K 1/8 J	カーボン抵抗		
R402	WB542900	Metal Film Resistor	20K 1/4 F	金属被膜抵抗		
R403	V9732600	Carbon Resistor	560 1/8 J	カーボン抵抗		
R404	V9732600	Carbon Resistor	560 1/8 J	カーボン抵抗		
R405	V9732300	Carbon Resistor	330 1/8 J	カーボン抵抗		

*: New Parts (新規部品)

RANK: Japan only

REF NO.	PART NO.	DESCRIPTION		部 品 名	REMARKS	QTY	RANK
R479	VV276700	Flame Proof C. Resistor	4.7 1/4 J	不 燃 化 カ ー ボ ン 抵 抗			01
R480	V9730400	Carbon Resistor	15K 1/8 J	カ ー ボ ン 抵 抗			
R481	V9730400	Carbon Resistor	15K 1/8 J	カ ー ボ ン 抵 抗			
RY401	V8628500	Relay	JM1AN-P-DC24V	リ ー			07
△* T401	X3875A00	Power Trasformer	J 20V	電 源 ト ラ ン ス P 2 - 1 0	J		
△* T401	X3876A00	Power Trasformer	U,V,T 20V	電 源 ト ラ ン ス P 2 - 1 0	U,V,T		
△* T401	X3877A00	Power Trasformer	B,H,W,K 20V	電 源 ト ラ ン ス P 2 - 1 0	B,H,W,K		
△* T401	X3878A00	Power Trasformer	A 20V	電 源 ト ラ ン ス P 2 - 1 0	A		
△* T402	X3879B00	Power Trasformer	J	電 源 ト ラ ン ス P 2 - 1 0	J		
△* T402	X3880B00	Power Trasformer	U,V,T,A	電 源 ト ラ ン ス P 2 - 1 0	U,V,T,A		
△* T402	X3881B00	Power Trasformer	B,H,W,K	電 源 ト ラ ン ス P 2 - 1 0	B,H,W,K		
* W401	WA872900	Connector Assembly	B&C	束 線			
* W402	WA873000	Connector Assembly	B&C	束 線			
* W403	WA873100	Connector Assembly	B&C	束 線			
* W406	WA873200	Connector Assembly	B&C	束 線			
* W407	WA873300	Connector Assembly	B&C	束 線			
* W408	WA873400	Connector Assembly	B&C	束 線			
* --	WB178300	Circuit Board	SUB P2-70	S U B シ ー ト P 2 - 7 0	(X3895B0)		
10	--	Circuit Board	VR P3500S	シ ー ト V R	(WB17830)(V999530)		
20	--	Circuit Board	PSW P3500S	シ ー ト P S W	(WB17830)(WA04000)		
30	--	Circuit Board	LED P3500S	シ ー ト L E D	(WB17830)(WA04010)		
40	--	Circuit Board	OUT1 P3500S	シ ー ト O U T 1	(WB17830)(WA03990)		
50	--	Circuit Board	OUT2 P2-70	シ ー ト O U T 2	(WB17830)(WB17840)		
△ CN602	--	Circuit Board	VR P3500S	シ ー ト V R	(WB17830)(V999530)		
VR601	VB858600	Connector Base Post	PH- 7P SE	コ ネ ク タ ベ ー ス ポ ス ト			01
VR601	VI575600	Rotary Variable Resistor	5K	ロ ー タ リ ー V R	ATT Ach		03
VR602	VI575600	Rotary Variable Resistor	5K	ロ ー タ リ ー V R	ATT Bch		03
△ SW601	--	Circuit Board	PSW P3500S	シ ー ト P S W	(WB17830)(WA04000)		
W601	VY898100	Push Switch	SDDFA3107U-YL UCS	プ ッ シ ュ S W	ON/OFF		05
W602	--	Connector Assembly	B&C	束 線	(WA01120)		
W603	--	Connector Assembly	B&C	束 線	(WA01120)		
W603	--	Connector Assembly	B&C	束 線	(WA01110)		
C601	--	Circuit Board	LED P3500S	シ ー ト L E D	(WB17830)(WA04010)		
C601	WA079200	Speacer LED	P2	ス ペ ー サ L E D			8
C602	VV060300	Mylar Capacitor	2200P 50V J	マ イ ラ ー コ ン			01
C602	V9723300	Ceramic Capacitor	1000P 50V K	セラコン (Y 5 U)			
C603	V9723300	Ceramic Capacitor	1000P 50V K	セラコン (Y 5 U)			
C604	WA615600	Mylar Capacitor	0.2200 63V J ST	マ イ ラ ー コ ン			
-607	WA615600	Mylar Capacitor	0.2200 63V J ST	マ イ ラ ー コ ン			
C615	V9724000	Ceramic Capacitor	470P 50V K	セラコン (Y 5 P)			
C616	V9724000	Ceramic Capacitor	470P 50V K	セラコン (Y 5 P)			
△ CN601	VB390600	Connector Base Post	PH-10P TE	コ ネ ク タ ベ ー ス ポ ス ト			01
LD601	WA097600	LED	HFY103PJ-3-00 YEL	L E D	YS PROCESSING		01
LD602	V9790400	LED	HFR203PJ-3-00 RED	L E D	PROTECTION		01
LD603	WA097500	LED	HFG203PJ-3-00 GRN	L E D	POWER		01
LD604	V9790400	LED	HFR203PJ-3-00 RED	L E D	TEMP		01
LD605	V9790400	LED	HFR203PJ-3-00 RED	L E D	CLIP B		01
LD606	V9790400	LED	HFR203PJ-3-00 RED	L E D	CLIP A		01
LD607	WA097500	LED	HFG203PJ-3-00 GRN	L E D	SIGNAL B		01
LD608	WA097500	LED	HFG203PJ-3-00 GRN	L E D	SIGNAL A		01
Q601	VV911900	Digital Transistor	DTC114ESA-TP	デ ジ タ ル ト ラ ン ジ ス タ			01
-603	VV911900	Digital Transistor	DTC114ESA-TP	デ ジ タ ル ト ラ ン ジ ス タ			01
Q604	V2797700	Transistor	2SC5395 E,F	ト ラ ン ジ ス タ			01
Q605	V2797700	Transistor	2SC5395 E,F	ト ラ ン ジ ス タ			01
Q606	VD678500	Digital Transistor	DTA114ES	デ ジ タ ル ト ラ ン ジ ス タ			01
-609	VD678500	Digital Transistor	DTA114ES	デ ジ タ ル ト ラ ン ジ ス タ			01
R601	V9734200	Carbon Resistor	5.1K 1/8 J	カ ー ボ ン 抵 抗			
R602	V9730400	Carbon Resistor	15K 1/8 J	カ ー ボ ン 抵 抗			
R603	V9730400	Carbon Resistor	15K 1/8 J	カ ー ボ ン 抵 抗			
R604	V9734100	Carbon Resistor	4.7K 1/8 J	カ ー ボ ン 抵 抗			
R605	V9734100	Carbon Resistor	4.7K 1/8 J	カ ー ボ ン 抵 抗			
R606	V9733300	Carbon Resistor	1.8K 1/8 J	カ ー ボ ン 抵 抗			
R607	V9733300	Carbon Resistor	1.8K 1/8 J	カ ー ボ ン 抵 抗			
R608	V9734100	Carbon Resistor	4.7K 1/8 J	カ ー ボ ン 抵 抗			
R609	V9734100	Carbon Resistor	4.7K 1/8 J	カ ー ボ ン 抵 抗			
R610	V9730300	Carbon Resistor	10K 1/8 J	カ ー ボ ン 抵 抗			

*: New Parts (新規部品)

RANK: Japan only

REF NO.	PART NO.	DESCRIPTION		部 品 名	REMARKS	QTY	RANK
R611	V9730300	Carbon Resistor	10K 1/8 J	カ ー ボ ン 抵 抗			
R612	V9732100	Carbon Resistor	220 1/8 J	カ ー ボ ン 抵 抗			
-615	V9732100	Carbon Resistor	220 1/8 J	カ ー ボ ン 抵 抗			
R616	V9733300	Carbon Resistor	1.8K 1/8 J	カ ー ボ ン 抵 抗			
R622	V9733300	Carbon Resistor	1.8K 1/8 J	カ ー ボ ン 抵 抗			
-623	V9733300	Carbon Resistor	1.8K 1/8 J	カ ー ボ ン 抵 抗			
	--	Circuit Board	OUT1	シ ー ト O U T 1	(WA03990)		
JK601	VV089300	Phone Jack	H30280072N	ホ ー ン コ ネ ク タ	SPEAKER 3 Ach		02
JK602	VV089300	Phone Jack	H30280072N	ホ ー ン コ ネ ク タ	SPEAKER 3 Bch		02
SP602	V8181700	Receptacle Connector	NL4MD-H	レ セ プ タ ク ル 4 P	SPEAKER 2 Ach		06
SP603	V8181700	Receptacle Connector	NL4MD-H	レ セ プ タ ク ル 4 P	SPEAKER 2 Bch		06
W607	--	Connector Assembly	OUT 4P	束 線	(WA01100)		
	--	Circuit Board	OUT2	シ ー ト O U T 2	(WB17840)		
C608	V9725400	Ceramic Capacitor	1000P 500V K ST	セラコン (Y 5 P)			
-611	V9725400	Ceramic Capacitor	1000P 500V K ST	セラコン (Y 5 P)			
C612	V9725200	Ceramic Capacitor	2200P 500V K	セラコン (Y 5 P)			
-614	V9725200	Ceramic Capacitor	2200P 500V K	セラコン (Y 5 P)			
R624	VV276700	Flame Proof C. Resistor	4.7 1/4 J	不 燃 化 カ ー ボ ン 抵 抗			01
R625	VV276700	Flame Proof C. Resistor	4.7 1/4 J	不 燃 化 カ ー ボ ン 抵 抗			01
R626	VZ008800	Flame Proof C. Resistor	22.0 1/4 J	不 燃 化 カ ー ボ ン 抵 抗			01
R627	VV276700	Flame Proof C. Resistor	4.7 1/4 J	不 燃 化 カ ー ボ ン 抵 抗			01
R628	VZ008800	Flame Proof C. Resistor	22.0 1/4 J	不 燃 化 カ ー ボ ン 抵 抗			01
SP601	VZ956900	Speaker Terminal	STB-403AU 4P	ス ビ ー カ 端 子	SPEAKER A/B BRIDGE 1		06
W604	--	Connector Assembly	B&C OR	束 線	(WA87380)		
W605	--	Connector Assembly	B&C BL	束 線	(WA87300)		
W606	--	Connector Assembly	B&C YE	束 線	(WA87370)		
*	WB108300	Circuit Board	PAH50	P A H 5 0 シ ー ト	P5000S (X3850B0)		
C101	V9728500	Electrolytic Cap.	4.7 100.0V	ケ ミ コ ン			01
C102	V9728500	Electrolytic Cap.	4.7 100.0V	ケ ミ コ ン			01
C103	V9724100	Ceramic Capacitor	0.01	セラコン (Y 5 V)			
C104	V9724100	Ceramic Capacitor	0.01	セラコン (Y 5 V)			
C105	V2347400	Mylar Capacitor	7500P 50V J	マイラ - コ ン			01
C106	VV060300	Mylar Capacitor	2200P 50V J	マイラ - コ ン			01
C107	WB177800	Ceramic Capacitor-SL	33P 500V K	セラコン (S L)			
C108	V9725300	Ceramic Capacitor-SL	10P 500V K	セラコン (S L)			
C109	VV082300	Mylar Capacitor	0.1000 250V M	フィル ム コ ン			01
C110	VV082300	Mylar Capacitor	0.1000 250V M	フィル ム コ ン			01
C111	V9728900	Electrolytic Cap.	2.20 200.0V	ケ ミ コ ン			
C112	V9728900	Electrolytic Cap.	2.20 200.0V	ケ ミ コ ン			
C113	V9725500	Ceramic Capacitor-SL	100P 500V K	セラコン (S L)			
C114	V9725500	Ceramic Capacitor-SL	100P 500V K	セラコン (S L)			
C115	V9725200	Ceramic Capacitor	2200P 500V K	セラコン (Y 5 P)			
C116	V9725200	Ceramic Capacitor	2200P 500V K	セラコン (Y 5 P)			
C117	V5097700	Mylar Capacitor	3.3000 250V K	フィル ム コ ン			05
C118	V5097700	Mylar Capacitor	3.3000 250V K	フィル ム コ ン			05
C119	V9728900	Electrolytic Cap.	2.20 200.0V	ケ ミ コ ン			
C120	V9728900	Electrolytic Cap.	2.20 200.0V	ケ ミ コ ン			
C121	V9725200	Ceramic Capacitor	2200P 500V K	セラコン (Y 5 P)			
C122	WB450100	Ceramic Capacitor-SL	330P 500V K	セラコン (S L)			
C123	WB450100	Ceramic Capacitor-SL	330P 500V K	セラコン (S L)			
C124	WB378500	Electrolytic Cap.	100.00 200.0V	ケ ミ コ ン			
C125	WB378500	Electrolytic Cap.	100.00 200.0V	ケ ミ コ ン			
C126	V9725200	Ceramic Capacitor	2200P 500V K	セラコン (Y 5 P)			
C127	V9726300	Electrolytic Cap.	470.00 10.0V	ケ ミ コ ン			
C128	V9727800	Electrolytic Cap.	22.00 50.0V	ケ ミ コ ン			
C129	V9721800	Ceramic Capacitor (Chip)	470P 50V K 0603	チ ッ プ セ ラ			
C201	V9722700	Ceramic Capacitor (Chip)	0.01 50V M 0603	チ ッ プ セ ラ			
C202	V9721500	Ceramic Capacitor (Chip)	100P 50V K 0603	チ ッ プ セ ラ			
C203	V9722700	Ceramic Capacitor (Chip)	0.01 50V M 0603	チ ッ プ セ ラ			
C204	V9722700	Ceramic Capacitor (Chip)	0.01 50V M 0603	チ ッ プ セ ラ			
C205	V9721200	Ceramic Capacitor (Chip)	56P 50V K 0603	チ ッ プ セ ラ			
C206	V9726300	Electrolytic Cap.	470.00 10.0V	ケ ミ コ ン			
C207	V9722300	Ceramic Capacitor (Chip)	1000P 50V M 0603	チ ッ プ セ ラ			
C208	V9721800	Ceramic Capacitor (Chip)	470P 50V K 0603	チ ッ プ セ ラ			
C209	V9726500	Electrolytic Cap.	10.00 25.0V	ケ ミ コ ン			01
C210	V9722700	Ceramic Capacitor (Chip)	0.01 50V M 0603	チ ッ プ セ ラ			
C211	V9726400	Electrolytic Cap.	100.00 16.0V	ケ ミ コ ン			01

*: New Parts (新規部品)

RANK: Japan only

REF NO.	PART NO.	DESCRIPTION	部 品 名	REMARKS	QTY	RANK
C212	VV060300	Mylar Capacitor	2200P 50V J	マ イ ラ - コ ン		01
C213	V9726400	Electrolytic Cap.	100.00 16.0V	ケ ミ コ ン		01
C214	FU450500	Mica Capacitor	5P 500V D	マ イ カ コ ン		01
C215	VV060300	Mylar Capacitor	2200P 50V J	マ イ ラ - コ ン		01
C216	V9726500	Electrolytic Cap.	10.00 25.0V	ケ ミ コ ン		01
C217	V9724100	Ceramic Capacitor	0.0100 50V Z	セ ラ コ ン (Y 5 V)		
C218	FU451220	Mica Capacitor	22P 500V J	マ イ カ コ ン		01
C219	FU451220	Mica Capacitor	22P 500V J	マ イ カ コ ン		01
C220	V9720400	Ceramic Capacitor (Chip)	10P 50V K 0603	チ ッ プ セ ラ		
C221	V9720400	Ceramic Capacitor (Chip)	10P 50V K 0603	チ ッ プ セ ラ		
C222	V9726500	Electrolytic Cap.	10.00 25.0V	ケ ミ コ ン		01
-224	V9726500	Electrolytic Cap.	10.00 25.0V	ケ ミ コ ン		01
CN101	VB389800	Connector Base Post	PH- 2P TE	コ ネ ク タ ベ ース ポ ス ト		
CN102	WA767700	Fasten Terminal	16611BL	フ ァ ス ト ン 端 子		
CN103	WA767700	Fasten Terminal	16611BL	フ ァ ス ト ン 端 子		
CN104	WA767700	Fasten Terminal	16611BL	フ ァ ス ト ン 端 子		
CN105	WA767700	Fasten Terminal	16611BL	フ ァ ス ト ン 端 子		
CN201	VB390700	Connector Base Post	PH-11P TE	コ ネ ク タ ベ ース ポ ス ト		01
CN202	VB389900	Connector Base Post	PH- 3P TE	コ ネ ク タ ベ ース ポ ス ト		01
D101	VD631600	Diode	1SS133,176,HSS104	ダ イ オ - ド		01
D102	VD631600	Diode	1SS133,176,HSS104	ダ イ オ - ド		01
D103	VG438900	Zener Diode	MTZ J 8.2B 8.2V	ツ ェ ナ - ダ イ オ - ド		01
D104	VQ469600	Diode	HSS82	ダ イ オ - ド		01
D105	VQ469600	Diode	HSS82	ダ イ オ - ド		01
D106	VG438300	Zener Diode	MTZ J 6.8B 6.8V	ツ ェ ナ - ダ イ オ - ド		01
D107	VD631600	Diode	1SS133,176,HSS104	ダ イ オ - ド		01
D108	VD631600	Diode	1SS133,176,HSS104	ダ イ オ - ド		01
D109	WB115000	Diode	AL01	ダ イ オ - ド		
D110	VQ469600	Diode	HSS82	ダ イ オ - ド		01
D111	VQ469600	Diode	HSS82	ダ イ オ - ド		01
D112	WB115000	Diode	AL01	ダ イ オ - ド		
D113	VQ469600	Diode	HSS82	ダ イ オ - ド		01
D114	VQ469600	Diode	HSS82	ダ イ オ - ド		01
D115	V9921600	Diode	1N4004	ダ イ オ - ド		01
-118	V9921600	Diode	1N4004	ダ イ オ - ド		01
D119	WA757600	Diode	AL01Z	ダ イ オ - ド		
-121	WA757600	Diode	AL01Z	ダ イ オ - ド		
D122	VJ657300	Diode	AK03 V0	ダ イ オ - ド		01
D123	VJ657300	Diode	AK03 V0	ダ イ オ - ド		01
D128	VQ469600	Diode	HSS82	ダ イ オ - ド		01
D129	VQ469600	Diode	HSS82	ダ イ オ - ド		01
D201	VT332900	Diode	1SS355 TE-17	ダ イ オ - ド		01
D202	VT332900	Diode	1SS355 TE-17	ダ イ オ - ド		01
D203	VD631600	Diode	1SS133,176,HSS104	ダ イ オ - ド		01
-206	VD631600	Diode	1SS133,176,HSS104	ダ イ オ - ド		01
D208	VQ469600	Diode	HSS82	ダ イ オ - ド		01
D209	VQ469600	Diode	HSS82	ダ イ オ - ド		01
D210	VG438000	Zener Diode	MTZ J 6.2B 6.2V	ツ ェ ナ - ダ イ オ - ド		01
D211	VG438000	Zener Diode	MTZ J 6.2B 6.2V	ツ ェ ナ - ダ イ オ - ド		01
D212	VQ469600	Diode	HSS82	ダ イ オ - ド		01
D213	VQ469600	Diode	HSS82	ダ イ オ - ド		01
D214	VG436600	Zener Diode	MTZ J 3.9B 3.9V	ツ ェ ナ - ダ イ オ - ド		01
IC201	XJ553A00	IC	NJM2068MD-T1	I	OP AMP	02
IC202	XM882A00	IC	NJM431L(T3)	I	C Adjustable Regulator	02
L101	WB398400	Coil	ED24850	空 芯 コ イ ル		
L102	V4668300	Coil	OH-20 100UH	コ イ ル		08
L103	V4668300	Coil	OH-20 100UH	コ イ ル		08
L104	WB398600	Coil	ED24852	空 芯 コ イ ル		
L105	WB398600	Coil	ED24852	空 芯 コ イ ル		
Q101	VR152800	Transistor	2SA1480 E,F	ト ラ ン ジ ス タ		02
Q102	VR152900	Transistor	2SC3790 E,F	ト ラ ン ジ ス タ		02
Q103	V8093400	Transistor	2SC3425	ト ラ ン ジ ス タ		03
Q104	V8093300	Transistor	2SA1924	ト ラ ン ジ ス タ		02
Q105	VU418600	Transistor	2SC3468 D,E	ト ラ ン ジ ス タ		01
Q106	VU418400	Transistor	2SA1371 D,E	ト ラ ン ジ ス タ		01
Q107	V4096000	Transistor	2SA1770 S,T	ト ラ ン ジ ス タ		03
Q108	V4096100	Transistor	2SC4614 S,T	ト ラ ン ジ ス タ		02
Q109	V4096000	Transistor	2SA1770 S,T	ト ラ ン ジ ス タ		03
Q110	VI242900	Transistor	2SA1020-Y(TPE6) Y	ト ラ ン ジ ス タ		01
Q111	VI242900	Transistor	2SA1020-Y(TPE6) Y	ト ラ ン ジ ス タ		01

*: New Parts (新規部品)

RANK: Japan only

REF NO.	PART NO.	DESCRIPTION	部 品 名	REMARKS	QTY	RANK
Q127	VV556400	Transistor	2SC2412K Q,R,S	トランジスタ		01
Q128	VU418600	Transistor	2SC3468 D,E	トランジスタ		01
Q129	VV556400	Transistor	2SC2412K Q,R,S	トランジスタ		01
Q130	VU418600	Transistor	2SC3468 D,E	トランジスタ		01
-132	VU418600	Transistor	2SC3468 D,E	トランジスタ		01
Q133	V8093300	Transistor	2SA1924	トランジスタ		02
Q134	V4096100	Transistor	2SC4614 S,T	トランジスタ		02
Q201	VV556500	Transistor	2SA1037AK Q,R,S	トランジスタ		01
Q202	VV556500	Transistor	2SA1037AK Q,R,S	トランジスタ		01
Q203	VV556400	Transistor	2SC2412K Q,R,S	トランジスタ		01
Q204	VV556400	Transistor	2SC2412K Q,R,S	トランジスタ		01
* Q205	WA866800	Transistor	2SC4695	トランジスタ		
* Q206	VV655400	Digital Transistor	DTC114EKA TP	デジタルトランジスタ		01
* Q207	WA866800	Transistor	2SC4695	トランジスタ		
Q208	VV655000	Digital Transistor	DTA114EKA TP	デジタルトランジスタ		01
Q209	IC1815M0	Transistor	2SC1815 Y,GR	トランジスタ		01
Q210	VU418400	Transistor	2SA1371 D,E	トランジスタ		01
Q211	VU418400	Transistor	2SA1371 D,E	トランジスタ		01
Q212	VU418600	Transistor	2SC3468 D,E	トランジスタ		01
Q213	VU418400	Transistor	2SA1371 D,E	トランジスタ		01
Q214	IC1815M0	Transistor	2SC1815 Y,GR	トランジスタ		01
Q215	V8093400	Transistor	2SC3425	トランジスタ		03
Q216	IC1815M0	Transistor	2SC1815 Y,GR	トランジスタ		01
Q217	V8093300	Transistor	2SA1924	トランジスタ		02
Q219	VR152900	Transistor	2SC3790 E,F	トランジスタ		02
Q220	VR152800	Transistor	2SA1480 E,F	トランジスタ		02
Q221	V8093300	Transistor	2SA1924	トランジスタ		02
* R101	V9734900	Carbon Resistor	12K 1/8 J	カーボン抵抗		
* R102	V9736600	Carbon Resistor	75K 1/8 J	カーボン抵抗		
* R103	V9736100	Carbon Resistor	47K 1/8 J	カーボン抵抗		
-106	V9736100	Carbon Resistor	47K 1/8 J	カーボン抵抗		
R107	VV276700	Flame Proof C. Resistor	4.7 1/4 J	不燃化カーボン抵抗		01
R108	VV276700	Flame Proof C. Resistor	4.7 1/4 J	不燃化カーボン抵抗		01
* R109	V9736000	Carbon Resistor	43K 1/8 J	カーボン抵抗		
* R110	V9736000	Carbon Resistor	43K 1/8 J	カーボン抵抗		
R111	VV313900	Flame Proof C. Resistor	680.0 1/4 J	不燃化カーボン抵抗		01
R112	VV313900	Flame Proof C. Resistor	680.0 1/4 J	不燃化カーボン抵抗		01
R113	VZ009300	Flame Proof C. Resistor	330.0 1/4 J	不燃化カーボン抵抗		01
R114	VZ009300	Flame Proof C. Resistor	330.0 1/4 J	不燃化カーボン抵抗		01
R115	VV313800	Flame Proof C. Resistor	220 1/4 J	不燃化カーボン抵抗		01
R116	VV276800	Flame Proof C. Resistor	100 1/4 J	不燃化カーボン抵抗		01
R117	VZ009100	Flame Proof C. Resistor	33.0 1/4 J	不燃化カーボン抵抗		01
R118	VZ009100	Flame Proof C. Resistor	33.0 1/4 J	不燃化カーボン抵抗		01
R119	VV276700	Flame Proof C. Resistor	4.7 1/4 J	不燃化カーボン抵抗		01
R120	VV276700	Flame Proof C. Resistor	4.7 1/4 J	不燃化カーボン抵抗		01
R121	VZ008800	Flame Proof C. Resistor	22.0 1/4 J	不燃化カーボン抵抗		01
R122	VZ008800	Flame Proof C. Resistor	22.0 1/4 J	不燃化カーボン抵抗		01
R123	V4833200	Wire Wound Resistor	0.22 5W K	セメント抵抗		01
R124	V4833200	Wire Wound Resistor	0.22 5W K	セメント抵抗		01
R125	VV276700	Flame Proof C. Resistor	4.7 1/4 J	不燃化カーボン抵抗		01
R126	VV276700	Flame Proof C. Resistor	4.7 1/4 J	不燃化カーボン抵抗		01
R127	VZ008800	Flame Proof C. Resistor	22.0 1/4 J	不燃化カーボン抵抗		01
R128	VZ008800	Flame Proof C. Resistor	22.0 1/4 J	不燃化カーボン抵抗		01
R129	V4833200	Wire Wound Resistor	0.22 5W K	セメント抵抗		01
R130	V4833200	Wire Wound Resistor	0.22 5W K	セメント抵抗		01
R131	VV276700	Flame Proof C. Resistor	4.7 1/4 J	不燃化カーボン抵抗		01
R132	VV276700	Flame Proof C. Resistor	4.7 1/4 J	不燃化カーボン抵抗		01
R133	VZ008800	Flame Proof C. Resistor	22.0 1/4 J	不燃化カーボン抵抗		01
R134	VZ008800	Flame Proof C. Resistor	22.0 1/4 J	不燃化カーボン抵抗		01
R135	V4833200	Wire Wound Resistor	0.22 5W K	セメント抵抗		01
R136	V4833200	Wire Wound Resistor	0.22 5W K	セメント抵抗		01
R137	VV276700	Flame Proof C. Resistor	4.7 1/4 J	不燃化カーボン抵抗		01
R138	VV276700	Flame Proof C. Resistor	4.7 1/4 J	不燃化カーボン抵抗		01
R139	VZ008800	Flame Proof C. Resistor	22.0 1/4 J	不燃化カーボン抵抗		01
R140	VZ008800	Flame Proof C. Resistor	22.0 1/4 J	不燃化カーボン抵抗		01
R141	V4833200	Wire Wound Resistor	0.22 5W K	セメント抵抗		01
R142	V4833200	Wire Wound Resistor	0.22 5W K	セメント抵抗		01
R143	VV276700	Flame Proof C. Resistor	4.7 1/4 J	不燃化カーボン抵抗		01
R144	VV276700	Flame Proof C. Resistor	4.7 1/4 J	不燃化カーボン抵抗		01
R145	VZ008800	Flame Proof C. Resistor	22.0 1/4 J	不燃化カーボン抵抗		01

*: New Parts (新規部品)

RANK: Japan only

REF NO.	PART NO.	DESCRIPTION	部 品 名	REMARKS	QTY	RANK
R146	VZ008800	Flame Proof C. Resistor	22.0 1/4 J	不 燃 化 カ ー ボ ン 抵 抗		01
R147	V4833200	Wire Wound Resistor	0.22 5W K	セ メ ン ト 抵 抗		01
R148	V4833200	Wire Wound Resistor	0.22 5W K	セ メ ン ト 抵 抗		01
* R151	WB118900	Metal Oxide Film Resistor	4.7 2W J	サ ン キ ン 抵 抗		
* R156	WB118900	Metal Oxide Film Resistor	4.7 2W J	サ ン キ ン 抵 抗		
R157	V9734300	Carbon Resistor	5.6K 1/8 J	カ ー ボ ン 抵 抗		
R158	V9734300	Carbon Resistor	5.6K 1/8 J	カ ー ボ ン 抵 抗		
R159	VZ008800	Flame Proof C. Resistor	22.0 1/4 J	不 燃 化 カ ー ボ ン 抵 抗		01
R160	VZ008700	Flame Proof C. Resistor	2.2K 1/4 J	不 燃 化 カ ー ボ ン 抵 抗		01
R161	VZ008700	Flame Proof C. Resistor	2.2K 1/4 J	不 燃 化 カ ー ボ ン 抵 抗		01
R162	VZ008800	Flame Proof C. Resistor	22.0 1/4 J	不 燃 化 カ ー ボ ン 抵 抗		01
R163	VZ008600	Flame Proof C. Resistor	150.0 1/4 J	不 燃 化 カ ー ボ ン 抵 抗		01
R164	VZ008600	Flame Proof C. Resistor	150.0 1/4 J	不 燃 化 カ ー ボ ン 抵 抗		01
R165	VV557800	Flame Proof C. Resistor	1.0 1/4 J	不 燃 化 カ ー ボ ン 抵 抗		01
R166	VV557800	Flame Proof C. Resistor	1.0 1/4 J	不 燃 化 カ ー ボ ン 抵 抗		01
R167	VZ370200	Wire Wound Resistor	0.1 5W K	セ メ ン ト 抵 抗		01
R168	VV276700	Flame Proof C. Resistor	4.7 1/4 J	不 燃 化 カ ー ボ ン 抵 抗		01
R169	VZ370200	Wire Wound Resistor	0.1 5W K	セ メ ン ト 抵 抗		01
R170	VV557800	Flame Proof C. Resistor	1.0 1/4 J	不 燃 化 カ ー ボ ン 抵 抗		01
R171	VV557800	Flame Proof C. Resistor	1.0 1/4 J	不 燃 化 カ ー ボ ン 抵 抗		01
R172	VZ370200	Wire Wound Resistor	0.1 5W K	セ メ ン ト 抵 抗		01
R173	VV557800	Flame Proof C. Resistor	1.0 1/4 J	不 燃 化 カ ー ボ ン 抵 抗		01
R174	VZ370200	Wire Wound Resistor	0.1 5W K	セ メ ン ト 抵 抗		01
R175	VV557800	Flame Proof C. Resistor	1.0 1/4 J	不 燃 化 カ ー ボ ン 抵 抗		01
R176	VV276700	Flame Proof C. Resistor	4.7 1/4 J	不 燃 化 カ ー ボ ン 抵 抗		01
R177	VV058500	Flame Proof C. Resistor	10.0 1/4 J	不 燃 化 カ ー ボ ン 抵 抗		01
R178	VV058500	Flame Proof C. Resistor	10.0 1/4 J	不 燃 化 カ ー ボ ン 抵 抗		01
R179	VZ009300	Flame Proof C. Resistor	330.0 1/4 J	不 燃 化 カ ー ボ ン 抵 抗		01
R180	WB119000	Metal Oxide Film Resistor	3.9K 1W J	サ ン キ ン 抵 抗		
R181	VZ009300	Flame Proof C. Resistor	330.0 1/4 J	不 燃 化 カ ー ボ ン 抵 抗		01
R182	VV276800	Flame Proof C. Resistor	100 1/4 J	不 燃 化 カ ー ボ ン 抵 抗		01
R183	WB119000	Metal Oxide Film Resistor	3.9K 1W J	サ ン キ ン 抵 抗		
R184	VZ008800	Flame Proof C. Resistor	22.0 1/4 J	不 燃 化 カ ー ボ ン 抵 抗		01
R185	VV058500	Flame Proof C. Resistor	10.0 1/4 J	不 燃 化 カ ー ボ ン 抵 抗		01
R186	VV313800	Flame Proof C. Resistor	220.0 1/4 J	不 燃 化 カ ー ボ ン 抵 抗		01
R187	WB119000	Metal Oxide Film Resistor	3.9K 1W J	サ ン キ ン 抵 抗		
R188	V6252000	Flame Proof C. Resistor	470 1/4 J	不 燃 化 カ ー ボ ン 抵 抗		01
R189	VV058500	Flame Proof C. Resistor	10.0 1/4 J	不 燃 化 カ ー ボ ン 抵 抗		01
R190	VV058500	Flame Proof C. Resistor	10.0 1/4 J	不 燃 化 カ ー ボ ン 抵 抗		01
R191	VV276700	Flame Proof C. Resistor	4.7 1/4 J	不 燃 化 カ ー ボ ン 抵 抗		01
R192	VV058500	Flame Proof C. Resistor	10.0 1/4 J	不 燃 化 カ ー ボ ン 抵 抗		01
R193	VV058500	Flame Proof C. Resistor	10.0 1/4 J	不 燃 化 カ ー ボ ン 抵 抗		01
* R194	WB426100	Metal Oxide Film Resistor	10 1/2W J	サ ン キ ン 抵 抗		
* R195	WB426100	Metal Oxide Film Resistor	10 1/2W J	サ ン キ ン 抵 抗		
R201	V9718700	Metal Film (chip)	18K 1/16 D	チ ッ プ 金 被 抵 抗		
R202	V9714000	Carbon Resistor (chip)	10K 0.1 J	チ ッ プ 抵 抗		
R203	V9718700	Metal Film (chip)	18K 1/16 D	チ ッ プ 金 被 抵 抗		
R204	V9714200	Carbon Resistor (chip)	12K 0.1 J	チ ッ プ 抵 抗		
R205	V9714200	Carbon Resistor (chip)	12K 0.1 J	チ ッ プ 抵 抗		
R206	V9710700	Carbon Resistor (chip)	75 0.1 J	チ ッ プ 抵 抗		
R207	V9715600	Carbon Resistor (chip)	47K 0.1 J	チ ッ プ 抵 抗		
R208	V9715600	Carbon Resistor (chip)	47K 0.1 J	チ ッ プ 抵 抗		
R209	V9710700	Carbon Resistor (chip)	75 0.1 J	チ ッ プ 抵 抗		
R210	V9713800	Carbon Resistor (chip)	8.2K 0.1 J	チ ッ プ 抵 抗		
R211	V9710900	Carbon Resistor (chip)	100 0.1 J	チ ッ プ 抵 抗		
R212	V9713800	Carbon Resistor (chip)	8.2K 0.1 J	チ ッ プ 抵 抗		
R213	V9715000	Carbon Resistor (chip)	27K 0.1 J	チ ッ プ 抵 抗		
R215	V9715200	Carbon Resistor (chip)	33K 0.1 J	チ ッ プ 抵 抗		
R216	V9710900	Carbon Resistor (chip)	100 0.1 J	チ ッ プ 抵 抗		
* R217	V9716700	Carbon Resistor (chip)	470K 0.1 J	チ ッ プ 抵 抗		
* R218	V9716700	Carbon Resistor (chip)	470K 0.1 J	チ ッ プ 抵 抗		
R219	V9712600	Carbon Resistor (chip)	2.2K 0.1 J	チ ッ プ 抵 抗		
R220	V9714800	Carbon Resistor (chip)	22K 0.1 J	チ ッ プ 抵 抗		
* R221	V9736900	Carbon Resistor	120K 1/8 J	カ ー ボ ン 抵 抗		
R222	V9948300	Carbon Resistor	330K 1/8 J	カ ー ボ ン 抵 抗		
R223	V9730500	Carbon Resistor	22K 1/8 J	カ ー ボ ン 抵 抗		
* R224	WB413500	Metal Film Resistor	510 1/4 F	金 属 被 膜 抵 抗		
R225	V9732600	Carbon Resistor	560 1/8 J	カ ー ボ ン 抵 抗		
-228	V9732600	Carbon Resistor	560 1/8 J	カ ー ボ ン 抵 抗		
R229	WB449900	Carbon Resistor	11K 1/2 F V	カ ー ボ ン 抵 抗		

*: New Parts (新規部品)

RANK: Japan only

REF NO.	PART NO.	DESCRIPTION	部 品 名	REMARKS	QTY	RANK
R230	WB449900	Carbon Resistor	力 - ボン 抵抗			
R231	V9947200	Carbon Resistor	力 - ボン 抵抗			
R232	V9734500	Carbon Resistor	力 - ボン 抵抗			
-234	V9734500	Carbon Resistor	力 - ボン 抵抗			
R235	V9736600	Carbon Resistor	力 - ボン 抵抗			
R236	V9736600	Carbon Resistor	力 - ボン 抵抗			
R237	V9732100	Carbon Resistor	力 - ボン 抵抗			
R238	V9732000	Carbon Resistor	力 - ボン 抵抗			
R239	V9732000	Carbon Resistor	力 - ボン 抵抗			
R240	VV557800	Flame Proof C. Resistor	不燃化カーボン抵抗			01
R241	VV557800	Flame Proof C. Resistor	不燃化カーボン抵抗			01
R242	V9731700	Carbon Resistor	力 - ボン 抵抗			
R243	V9733200	Carbon Resistor	力 - ボン 抵抗			
R244	V9731800	Carbon Resistor	力 - ボン 抵抗			
R245	WB453000	Carbon Resistor	力 - ボン 抵抗			
R246	V9735100	Carbon Resistor	力 - ボン 抵抗			
R247	WC130500	Metal Film Resistor	金属被膜抵抗			
R248	WC130500	Metal Film Resistor	金属被膜抵抗			
R249	WB547700	Metal Film Resistor	金属被膜抵抗			
R250	WB547700	Metal Film Resistor	金属被膜抵抗			
R251	WC130500	Metal Film Resistor	金属被膜抵抗			
R252	WC130500	Metal Film Resistor	金属被膜抵抗			
R253	V9735100	Carbon Resistor	力 - ボン 抵抗			
R280	V9718800	Metal Film (chip)	チップ金被抵抗			
R281	V9714000	Carbon Resistor (chip)	チップ抵抗			
R282	WB175600	Metal Film (chip)	チップ金被抵抗			
R283	WB547600	Metal Film Resistor	金属被膜抵抗			
R284	V9718500	Metal Film (chip)	チップ金被抵抗			
R285	V9917600	Carbon Resistor (chip)	チップ抵抗			
R286	V9716000	Carbon Resistor (chip)	チップ抵抗			
R287	V9714000	Carbon Resistor (chip)	チップ抵抗			
R288	V9714700	Carbon Resistor (chip)	チップ抵抗			
R289	V9716300	Carbon Resistor (chip)	チップ抵抗			
R290	V9715800	Carbon Resistor (chip)	チップ抵抗			
R291	VV277000	Flame Proof C. Resistor	不燃化カーボン抵抗			01
R292	WB547800	Metal Film Resistor	金属被膜抵抗			
R293	WB547500	Metal Film Resistor	金属被膜抵抗			
R294	WB542900	Metal Film Resistor	金属被膜抵抗			
R295	V9734500	Carbon Resistor	力 - ボン 抵抗			
-297	V9734500	Carbon Resistor	力 - ボン 抵抗			
R298	V9732900	Carbon Resistor	力 - ボン 抵抗			
R299	V9736100	Carbon Resistor	力 - ボン 抵抗			
VR201	VA787500	Trimmer Potentiometer	半固定VR			01
	WB108200	Circuit Board	PAH70	PAH70シート	P7000S (X3850B0)	
C101	V9728500	Electrolytic Cap.	4.7 100.0V	ケミコン		01
C102	V9728500	Electrolytic Cap.	4.7 100.0V	ケミコン		01
C103	V9724100	Ceramic Capacitor	0.01	セラコン (Y5V)		
C104	V9724100	Ceramic Capacitor	0.01	セラコン (Y5V)		
C105	V2347400	Mylar Capacitor	7500P 50V J	マイラコン		01
C106	VV060300	Mylar Capacitor	2200P 50V J	マイラコン		01
C107	WB177800	Ceramic Capacitor-SL	33P 500V K	セラコン (SL)		
C108	V9725300	Ceramic Capacitor-SL	10P 500V K	セラコン (SL)		
C109	VV082300	Mylar Capacitor	0.1000 250V M	フィルムコン		01
C110	VV082300	Mylar Capacitor	0.1000 250V M	フィルムコン		01
C111	V9728900	Electrolytic Cap.	2.20 200.0V	ケミコン		
C112	V9728900	Electrolytic Cap.	2.20 200.0V	ケミコン		
C113	V9725500	Ceramic Capacitor-SL	100P 500V K	セラコン (SL)		
C114	V9725500	Ceramic Capacitor-SL	100P 500V K	セラコン (SL)		
C115	V9725200	Ceramic Capacitor	2200P 500V K	セラコン (Y5P)		
C116	V9725200	Ceramic Capacitor	2200P 500V K	セラコン (Y5P)		
C117	V5097700	Mylar Capacitor	3.3000 250V K	フィルムコン		05
C118	V5097700	Mylar Capacitor	3.3000 250V K	フィルムコン		05
C119	V9728900	Electrolytic Cap.	2.20 200.0V	ケミコン		
C120	V9728900	Electrolytic Cap.	2.20 200.0V	ケミコン		
C121	V9725200	Ceramic Capacitor	2200P 500V K	セラコン (Y5P)		
C122	WB450100	Ceramic Capacitor-SL	330P 500V K	セラコン (SL)		
C123	WB450100	Ceramic Capacitor-SL	330P 500V K	セラコン (SL)		
C124	WB378500	Electrolytic Cap.	100.00 200.0V	ケミコン		
C125	WB378500	Electrolytic Cap.	100.00 200.0V	ケミコン		

** New Parts (新規部品)

RANK: Japan only

REF NO.	PART NO.	DESCRIPTION	部 品 名	REMARKS	QTY	RANK
C126	V9725200	Ceramic Capacitor	セラコン (Y 5 P)			
C127	V9726300	Electrolytic Cap.	ケ ミ コ ン			
C128	V9727800	Electrolytic Cap.	ケ ミ コ ン			
C129	V9721800	Ceramic Capacitor (Chip)	チ ッ プ セ ラ			
C201	V9722700	Ceramic Capacitor (Chip)	チ ッ プ セ ラ			
C202	V9721500	Ceramic Capacitor (Chip)	チ ッ プ セ ラ			
C203	V9722700	Ceramic Capacitor (Chip)	チ ッ プ セ ラ			
C204	V9722700	Ceramic Capacitor (Chip)	チ ッ プ セ ラ			
C205	V9721200	Ceramic Capacitor (Chip)	チ ッ プ セ ラ			
C206	V9726300	Electrolytic Cap.	ケ ミ コ ン			
C207	V9722300	Ceramic Capacitor (Chip)	チ ッ プ セ ラ			
C208	V9721800	Ceramic Capacitor (Chip)	チ ッ プ セ ラ			
C209	V9726500	Electrolytic Cap.	ケ ミ コ ン			01
C210	V9722700	Ceramic Capacitor (Chip)	チ ッ プ セ ラ			
C211	V9726400	Electrolytic Cap.	ケ ミ コ ン			
C212	VV060300	Mylar Capacitor	マイラ - コ ン			01
C213	V9726400	Electrolytic Cap.	ケ ミ コ ン			01
C214	FU450500	Mica Capacitor	マイカ コ ン			01
C215	VV060300	Mylar Capacitor	マイラ - コ ン			01
C216	V9726500	Electrolytic Cap.	ケ ミ コ ン			01
C217	V9724100	Ceramic Capacitor	セラコン (Y 5 V)			
C218	FU451220	Mica Capacitor	マイカ コ ン			01
C219	FU451220	Mica Capacitor	マイカ コ ン			01
C220	V9720400	Ceramic Capacitor (Chip)	チ ッ プ セ ラ			
C221	V9720400	Ceramic Capacitor (Chip)	チ ッ プ セ ラ			
C222	V9726500	Electrolytic Cap.	ケ ミ コ ン			01
-224	V9726500	Electrolytic Cap.	ケ ミ コ ン			01
CN101	VB389800	Connector Base Post	コネクタベースポスト			01
CN102	WA767700	Fasten Terminal	ファストン端子			
CN103	WA767700	Fasten Terminal	ファストン端子			
CN104	WA767700	Fasten Terminal	ファストン端子			
CN105	WA767700	Fasten Terminal	ファストン端子			
CN201	VB390700	Connector Base Post	コネクタベースポスト			01
CN202	VB389900	Connector Base Post	コネクタベースポスト			01
D101	VD631600	Diode	ダイオード			01
D102	VD631600	Diode	ダイオード			01
D103	VG438900	Zener Diode	ツェナーダイオード			01
D104	VQ469600	Diode	ダイオード			01
D105	VQ469600	Diode	ダイオード			01
D106	VG438300	Zener Diode	ツェナーダイオード			01
D107	VD631600	Diode	ダイオード			01
D108	VD631600	Diode	ダイオード			01
* D109	WB115000	Diode	ダイオード			
D110	VQ469600	Diode	ダイオード			01
D111	VQ469600	Diode	ダイオード			01
* D112	WB115000	Diode	ダイオード			
D113	VQ469600	Diode	ダイオード			01
D114	VQ469600	Diode	ダイオード			01
D115	V9921600	Diode	ダイオード			01
-118	V9921600	Diode	ダイオード			01
D119	WA757600	Diode	ダイオード			
-121	WA757600	Diode	ダイオード			
D122	VJ657300	Diode	ダイオード			01
D123	VJ657300	Diode	ダイオード			01
D128	VQ469600	Diode	ダイオード			01
D129	VQ469600	Diode	ダイオード			01
D201	VT332900	Diode	ダイオード			01
D202	VT332900	Diode	ダイオード			01
D203	VD631600	Diode	ダイオード			01
-206	VD631600	Diode	ダイオード			01
D208	VQ469600	Diode	ダイオード			01
D209	VQ469600	Diode	ダイオード			01
D210	VG438000	Zener Diode	ツェナーダイオード			01
D211	VG438000	Zener Diode	ツェナーダイオード			01
D212	VQ469600	Diode	ダイオード			01
D213	VQ469600	Diode	ダイオード			01
D214	VG436600	Zener Diode	ツェナーダイオード			01
IC201	XJ553A00	IC	I C	OP AMP		02
IC202	XM882A00	IC	I C	Adjustable Regulator		02
L101	WB398400	Coil	空 芯 コ イ ル			

*: New Parts (新規部品)

RANK: Japan only

REF NO.	PART NO.	DESCRIPTION	部 品 名	REMARKS	QTY	RANK
L102	V4668300	Coil	OH-20 100UH	コ イ ル		08
L103	V4668300	Coil	OH-20 100UH	コ イ ル		08
L104	WB398600	Coil	ED24852	空 芯 コ イ ル		
L105	WB398600	Coil	ED24852	空 芯 コ イ ル		
Q101	VR152800	Transistor	2SA1480 E,F	ト ラ ン ジ ス タ		02
Q102	VR152900	Transistor	2SC3790 E,F	ト ラ ン ジ ス タ		02
Q103	V8093400	Transistor	2SC3425	ト ラ ン ジ ス タ		03
Q104	V8093300	Transistor	2SA1924	ト ラ ン ジ ス タ		02
Q105	VU418600	Transistor	2SC3468 D,E	ト ラ ン ジ ス タ		01
Q106	VU418400	Transistor	2SA1371 D,E	ト ラ ン ジ ス タ		01
Q107	V4096000	Transistor	2SA1770 S,T	ト ラ ン ジ ス タ		03
Q108	V4096100	Transistor	2SC4614 S,T	ト ラ ン ジ ス タ		02
Q109	V4096000	Transistor	2SA1770 S,T	ト ラ ン ジ ス タ		03
Q110	VI242900	Transistor	2SA1020-Y(TPE6) Y	ト ラ ン ジ ス タ		01
Q111	VI242900	Transistor	2SA1020-Y(TPE6) Y	ト ラ ン ジ ス タ		01
Q127	VV556400	Transistor	2SC2412K Q,R,S	ト ラ ン ジ ス タ		01
Q128	VU418600	Transistor	2SC3468 D,E	ト ラ ン ジ ス タ		01
Q129	VV556400	Transistor	2SC2412K Q,R,S	ト ラ ン ジ ス タ		01
Q130	VU418600	Transistor	2SC3468 D,E	ト ラ ン ジ ス タ		01
-132	VU418600	Transistor	2SC3468 D,E	ト ラ ン ジ ス タ		01
Q133	V8093300	Transistor	2SA1924	ト ラ ン ジ ス タ		02
Q134	V4096100	Transistor	2SC4614 S,T	ト ラ ン ジ ス タ		02
Q201	VV556500	Transistor	2SA1037AK Q,R,S	ト ラ ン ジ ス タ		01
Q202	VV556500	Transistor	2SA1037AK Q,R,S	ト ラ ン ジ ス タ		01
Q203	VV556400	Transistor	2SC2412K Q,R,S	ト ラ ン ジ ス タ		01
Q204	VV556400	Transistor	2SC2412K Q,R,S	ト ラ ン ジ ス タ		01
* Q205	WA866800	Transistor	2SC4695	ト ラ ン ジ ス タ		
Q206	VV655400	Digital Transistor	DTC114EKA TP	デ ジ タ ル ト ラ ン ジ ス タ		01
* Q207	WA866800	Transistor	2SC4695	ト ラ ン ジ ス タ		
Q208	VV655000	Digital Transistor	DTA114EKA TP	デ ジ タ ル ト ラ ン ジ ス タ		01
Q209	IC1815M0	Transistor	2SC1815 Y,GR	ト ラ ン ジ ス タ		01
Q210	VU418400	Transistor	2SA1371 D,E	ト ラ ン ジ ス タ		01
Q211	VU418400	Transistor	2SA1371 D,E	ト ラ ン ジ ス タ		01
Q212	VU418600	Transistor	2SC3468 D,E	ト ラ ン ジ ス タ		01
Q213	VU418400	Transistor	2SA1371 D,E	ト ラ ン ジ ス タ		01
Q214	IC1815M0	Transistor	2SC1815 Y,GR	ト ラ ン ジ ス タ		01
Q215	V8093400	Transistor	2SC3425	ト ラ ン ジ ス タ		03
Q216	IC1815M0	Transistor	2SC1815 Y,GR	ト ラ ン ジ ス タ		01
Q217	V8093300	Transistor	2SA1924	ト ラ ン ジ ス タ		02
Q219	VR152900	Transistor	2SC3790 E,F	ト ラ ン ジ ス タ		02
Q220	VR152800	Transistor	2SA1480 E,F	ト ラ ン ジ ス タ		02
Q221	V8093300	Transistor	2SA1924	ト ラ ン ジ ス タ		02
* R101	V9734900	Carbon Resistor	12K 1/8 J	カ ー ボ ン 抵 抗		
R102	V9736600	Carbon Resistor	75K 1/8 J	カ ー ボ ン 抵 抗		
R103	V9736100	Carbon Resistor	47K 1/8 J	カ ー ボ ン 抵 抗		
-106	V9736100	Carbon Resistor	47K 1/8 J	カ ー ボ ン 抵 抗		
R107	VV276700	Flame Proof C. Resistor	4.7 1/4 J	不 燃 化 カ ー ボ ン 抵 抗		01
R108	VV276700	Flame Proof C. Resistor	4.7 1/4 J	不 燃 化 カ ー ボ ン 抵 抗		01
R109	V9736300	Carbon Resistor	56K 1/8 J	カ ー ボ ン 抵 抗		
R110	V9736300	Carbon Resistor	56K 1/8 J	カ ー ボ ン 抵 抗		
R111	VV313900	Flame Proof C. Resistor	680.0 1/4 J	不 燃 化 カ ー ボ ン 抵 抗		01
R112	VV313900	Flame Proof C. Resistor	680.0 1/4 J	不 燃 化 カ ー ボ ン 抵 抗		01
R113	VZ009300	Flame Proof C. Resistor	330.0 1/4 J	不 燃 化 カ ー ボ ン 抵 抗		01
R114	VZ009300	Flame Proof C. Resistor	330.0 1/4 J	不 燃 化 カ ー ボ ン 抵 抗		01
R115	VV313800	Flame Proof C. Resistor	220 1/4 J	不 燃 化 カ ー ボ ン 抵 抗		01
R116	VV276800	Flame Proof C. Resistor	100 1/4 J	不 燃 化 カ ー ボ ン 抵 抗		01
R117	VZ009100	Flame Proof C. Resistor	33.0 1/4 J	不 燃 化 カ ー ボ ン 抵 抗		01
R118	VZ009100	Flame Proof C. Resistor	33.0 1/4 J	不 燃 化 カ ー ボ ン 抵 抗		01
R119	VV276700	Flame Proof C. Resistor	4.7 1/4 J	不 燃 化 カ ー ボ ン 抵 抗		01
R120	VV276700	Flame Proof C. Resistor	4.7 1/4 J	不 燃 化 カ ー ボ ン 抵 抗		01
R121	VZ008800	Flame Proof C. Resistor	22.0 1/4 J	不 燃 化 カ ー ボ ン 抵 抗		01
R122	VZ008800	Flame Proof C. Resistor	22.0 1/4 J	不 燃 化 カ ー ボ ン 抵 抗		01
R123	V4833200	Wire Wound Resistor	0.22 5W K	セ メ ン ト 抵 抗		01
R124	V4833200	Wire Wound Resistor	0.22 5W K	セ メ ン ト 抵 抗		01
R125	VV276700	Flame Proof C. Resistor	4.7 1/4 J	不 燃 化 カ ー ボ ン 抵 抗		01
R126	VV276700	Flame Proof C. Resistor	4.7 1/4 J	不 燃 化 カ ー ボ ン 抵 抗		01
R127	VZ008800	Flame Proof C. Resistor	22.0 1/4 J	不 燃 化 カ ー ボ ン 抵 抗		01
R128	VZ008800	Flame Proof C. Resistor	22.0 1/4 J	不 燃 化 カ ー ボ ン 抵 抗		01
R129	V4833200	Wire Wound Resistor	0.22 5W K	セ メ ン ト 抵 抗		01
R130	V4833200	Wire Wound Resistor	0.22 5W K	セ メ ン ト 抵 抗		01

*: New Parts (新規部品)

RANK: Japan only

REF NO.	PART NO.	DESCRIPTION		部 品 名	REMARKS	QTY	RANK
R131	VV276700	Flame Proof C. Resistor	4.7 1/4 J	不 燃 化 カ ー ボ ン 抵 抗			01
R132	VV276700	Flame Proof C. Resistor	4.7 1/4 J	不 燃 化 カ ー ボ ン 抵 抗			01
R133	VZ008800	Flame Proof C. Resistor	22.0 1/4 J	不 燃 化 カ ー ボ ン 抵 抗			01
R134	VZ008800	Flame Proof C. Resistor	22.0 1/4 J	不 燃 化 カ ー ボ ン 抵 抗			01
R135	V4833200	Wire Wound Resistor	0.22 5W K	セ メ ン ト 抵 抗			01
R136	V4833200	Wire Wound Resistor	0.22 5W K	セ メ ン ト 抵 抗			01
R137	VV276700	Flame Proof C. Resistor	4.7 1/4 J	不 燃 化 カ ー ボ ン 抵 抗			01
R138	VV276700	Flame Proof C. Resistor	4.7 1/4 J	不 燃 化 カ ー ボ ン 抵 抗			01
R139	VZ008800	Flame Proof C. Resistor	22.0 1/4 J	不 燃 化 カ ー ボ ン 抵 抗			01
R140	VZ008800	Flame Proof C. Resistor	22.0 1/4 J	不 燃 化 カ ー ボ ン 抵 抗			01
R141	V4833200	Wire Wound Resistor	0.22 5W K	セ メ ン ト 抵 抗			01
R142	V4833200	Wire Wound Resistor	0.22 5W K	セ メ ン ト 抵 抗			01
R143	VV276700	Flame Proof C. Resistor	4.7 1/4 J	不 燃 化 カ ー ボ ン 抵 抗			01
R144	VV276700	Flame Proof C. Resistor	4.7 1/4 J	不 燃 化 カ ー ボ ン 抵 抗			01
R145	VZ008800	Flame Proof C. Resistor	22.0 1/4 J	不 燃 化 カ ー ボ ン 抵 抗			01
R146	VZ008800	Flame Proof C. Resistor	22.0 1/4 J	不 燃 化 カ ー ボ ン 抵 抗			01
R147	V4833200	Wire Wound Resistor	0.22 5W K	セ メ ン ト 抵 抗			01
R148	V4833200	Wire Wound Resistor	0.22 5W K	セ メ ン ト 抵 抗			01
R149	VV276700	Flame Proof C. Resistor	4.7 1/4 J	不 燃 化 カ ー ボ ン 抵 抗			01
R150	VV276700	Flame Proof C. Resistor	4.7 1/4 J	不 燃 化 カ ー ボ ン 抵 抗			01
* R151	WB118900	Metal Oxide Film Resistor	4.7 2W J	サ ン キ ン 抵 抗			
R152	VZ008800	Flame Proof C. Resistor	22.0 1/4 J	不 燃 化 カ ー ボ ン 抵 抗			01
R153	VZ008800	Flame Proof C. Resistor	22.0 1/4 J	不 燃 化 カ ー ボ ン 抵 抗			01
R154	V4833200	Wire Wound Resistor	0.22 5W K	セ メ ン ト 抵 抗			01
R155	V4833200	Wire Wound Resistor	0.22 5W K	セ メ ン ト 抵 抗			01
* R156	WB118900	Metal Oxide Film Resistor	4.7 2W J	サ ン キ ン 抵 抗			
R157	V9734300	Carbon Resistor	5.6K 1/8 J	カ ー ボ ン 抵 抗			
R158	V9734300	Carbon Resistor	5.6K 1/8 J	カ ー ボ ン 抵 抗			
R159	VZ008800	Flame Proof C. Resistor	22.0 1/4 J	不 燃 化 カ ー ボ ン 抵 抗			01
R160	VZ008700	Flame Proof C. Resistor	2.2K 1/4 J	不 燃 化 カ ー ボ ン 抵 抗			01
R161	VZ008700	Flame Proof C. Resistor	2.2K 1/4 J	不 燃 化 カ ー ボ ン 抵 抗			01
R162	VZ008800	Flame Proof C. Resistor	22.0 1/4 J	不 燃 化 カ ー ボ ン 抵 抗			01
R163	VZ008600	Flame Proof C. Resistor	150.0 1/4 J	不 燃 化 カ ー ボ ン 抵 抗			01
R164	VZ008600	Flame Proof C. Resistor	150.0 1/4 J	不 燃 化 カ ー ボ ン 抵 抗			01
R165	VV557800	Flame Proof C. Resistor	1.0 1/4 J	不 燃 化 カ ー ボ ン 抵 抗			01
R166	VV557800	Flame Proof C. Resistor	1.0 1/4 J	不 燃 化 カ ー ボ ン 抵 抗			01
R167	VZ370200	Wire Wound Resistor	0.1 5W K	セ メ ン ト 抵 抗			01
R168	VV276700	Flame Proof C. Resistor	4.7 1/4 J	不 燃 化 カ ー ボ ン 抵 抗			01
R169	VZ370200	Wire Wound Resistor	0.1 5W K	セ メ ン ト 抵 抗			01
R170	VV557800	Flame Proof C. Resistor	1.0 1/4 J	不 燃 化 カ ー ボ ン 抵 抗			01
R171	VV557800	Flame Proof C. Resistor	1.0 1/4 J	不 燃 化 カ ー ボ ン 抵 抗			01
R172	VZ370200	Wire Wound Resistor	0.1 5W K	セ メ ン ト 抵 抗			01
R173	VV557800	Flame Proof C. Resistor	1.0 1/4 J	不 燃 化 カ ー ボ ン 抵 抗			01
R174	VZ370200	Wire Wound Resistor	0.1 5W K	セ メ ン ト 抵 抗			01
R175	VV557800	Flame Proof C. Resistor	1.0 1/4 J	不 燃 化 カ ー ボ ン 抵 抗			01
R176	VV276700	Flame Proof C. Resistor	4.7 1/4 J	不 燃 化 カ ー ボ ン 抵 抗			01
R177	VV058500	Flame Proof C. Resistor	10.0 1/4 J	不 燃 化 カ ー ボ ン 抵 抗			01
R178	VV058500	Flame Proof C. Resistor	10.0 1/4 J	不 燃 化 カ ー ボ ン 抵 抗			01
R179	VZ009300	Flame Proof C. Resistor	330.0 1/4 J	不 燃 化 カ ー ボ ン 抵 抗			01
R180	WB119000	Metal Oxide Film Resistor	3.9K 1W J	サ ン キ ン 抵 抗			
R181	VZ009300	Flame Proof C. Resistor	330.0 1/4 J	不 燃 化 カ ー ボ ン 抵 抗			01
R182	VV276800	Flame Proof C. Resistor	100 1/4 J	不 燃 化 カ ー ボ ン 抵 抗			01
R183	WB119000	Metal Oxide Film Resistor	3.9K 1W J	サ ン キ ン 抵 抗			
R184	VZ008800	Flame Proof C. Resistor	22.0 1/4 J	不 燃 化 カ ー ボ ン 抵 抗			01
R185	VV058500	Flame Proof C. Resistor	10.0 1/4 J	不 燃 化 カ ー ボ ン 抵 抗			01
R186	VV313800	Flame Proof C. Resistor	220.0 1/4 J	不 燃 化 カ ー ボ ン 抵 抗			01
R187	WB119000	Metal Oxide Film Resistor	3.9K 1W J	サ ン キ ン 抵 抗			
R188	V6252000	Flame Proof C. Resistor	470 1/4 J	不 燃 化 カ ー ボ ン 抵 抗			01
R189	VV058500	Flame Proof C. Resistor	10.0 1/4 J	不 燃 化 カ ー ボ ン 抵 抗			01
R190	VV058500	Flame Proof C. Resistor	10.0 1/4 J	不 燃 化 カ ー ボ ン 抵 抗			01
R191	VV276700	Flame Proof C. Resistor	4.7 1/4 J	不 燃 化 カ ー ボ ン 抵 抗			01
R192	VV058500	Flame Proof C. Resistor	10.0 1/4 J	不 燃 化 カ ー ボ ン 抵 抗			01
R193	VV058500	Flame Proof C. Resistor	10.0 1/4 J	不 燃 化 カ ー ボ ン 抵 抗			01
* R194	WB426100	Metal Oxide Film Resistor	10 1/2W J	サ ン キ ン 抵 抗			
* R195	WB426100	Metal Oxide Film Resistor	10 1/2W J	サ ン キ ン 抵 抗			
R201	V9718700	Metal Film (chip)	18K 1/16 D	チ ッ プ 金 被 抵 抗			
R202	V9714000	Carbon Resistor (chip)	10K 0.1 J	チ ッ プ 抵 抗			
R203	V9718700	Metal Film (chip)	18K 1/16 D	チ ッ プ 金 被 抵 抗			
R204	V9714200	Carbon Resistor (chip)	12K 0.1 J	チ ッ プ 抵 抗			
R205	V9714200	Carbon Resistor (chip)	12K 0.1 J	チ ッ プ 抵 抗			

*: New Parts (新規部品)

RANK: Japan only

REF NO.	PART NO.	DESCRIPTION	部 品 名	REMARKS	QTY	RANK
R206	V9710700	Carbon Resistor (chip)	75 0.1 J	チ ッ プ 抵 抗		
R207	V9715600	Carbon Resistor (chip)	47K 0.1 J	チ ッ プ 抵 抗		
R208	V9715600	Carbon Resistor (chip)	47K 0.1 J	チ ッ プ 抵 抗		
R209	V9710700	Carbon Resistor (chip)	75 0.1 J	チ ッ プ 抵 抗		
R210	V9713800	Carbon Resistor (chip)	8.2K 0.1 J	チ ッ プ 抵 抗		
R211	V9710900	Carbon Resistor (chip)	100 0.1 J	チ ッ プ 抵 抗		
R212	V9713800	Carbon Resistor (chip)	8.2K 0.1 J	チ ッ プ 抵 抗		
R213	V9715000	Carbon Resistor (chip)	27K 0.1 J	チ ッ プ 抵 抗		
* R214	V9711700	Carbon Resistor (chip)	470 0.1 J	チ ッ プ 抵 抗		
R215	V9715200	Carbon Resistor (chip)	33K 0.1 J	チ ッ プ 抵 抗		
R216	V9710900	Carbon Resistor (chip)	100 0.1 J	チ ッ プ 抵 抗		
* R217	V9716700	Carbon Resistor (chip)	470K 0.1 J	チ ッ プ 抵 抗		
* R218	V9716700	Carbon Resistor (chip)	470K 0.1 J	チ ッ プ 抵 抗		
R219	V9712600	Carbon Resistor (chip)	2.2K 0.1 J	チ ッ プ 抵 抗		
R220	V9714800	Carbon Resistor (chip)	22K 0.1 J	チ ッ プ 抵 抗		
* R221	V9736900	Carbon Resistor	120K 1/8 J	力 ー ボ ン 抵 抗		
R222	V9948300	Carbon Resistor	330K 1/8 J	力 ー ボ ン 抵 抗		
R223	V9730500	Carbon Resistor	22K 1/8 J	力 ー ボ ン 抵 抗		
* R224	WB413500	Metal Film Resistor	510 1/4 F	金 属 被 膜 抵 抗		
R225	V9732600	Carbon Resistor	560 1/8 J	力 ー ボ ン 抵 抗		
-228	V9732600	Carbon Resistor	560 1/8 J	力 ー ボ ン 抵 抗		
R229	WB449900	Carbon Resistor	11K 1/2 F V	力 ー ボ ン 抵 抗		
R230	WB449900	Carbon Resistor	11K 1/2 F V	力 ー ボ ン 抵 抗		
R231	V9947200	Carbon Resistor	200 1/8 J	力 ー ボ ン 抵 抗		
R232	V9734500	Carbon Resistor	6.8K 1/8 J	力 ー ボ ン 抵 抗		
-234	V9734500	Carbon Resistor	6.8K 1/8 J	力 ー ボ ン 抵 抗		
* R235	V9736600	Carbon Resistor	75K 1/8 J	力 ー ボ ン 抵 抗		
* R236	V9736600	Carbon Resistor	75K 1/8 J	力 ー ボ ン 抵 抗		
R237	V9732100	Carbon Resistor	220 1/8 J	力 ー ボ ン 抵 抗		
R238	V9732000	Carbon Resistor	180 1/8 J	力 ー ボ ン 抵 抗		
R239	V9732000	Carbon Resistor	180 1/8 J	力 ー ボ ン 抵 抗		
R240	VV557800	Flame Proof C. Resistor	1.0 1/4 J	不 燃 化 力 ー ボ ン 抵 抗		01
R241	VV557800	Flame Proof C. Resistor	1.0 1/4 J	不 燃 化 力 ー ボ ン 抵 抗		01
R242	V9731700	Carbon Resistor	100 1/8 J	力 ー ボ ン 抵 抗		
R243	V9733200	Carbon Resistor	1.5K 1/8 J	力 ー ボ ン 抵 抗		
* R244	V9731800	Carbon Resistor	120 1/8 J	力 ー ボ ン 抵 抗		
* R245	WB453000	Carbon Resistor	130 1/8 J	力 ー ボ ン 抵 抗		
R246	V9735100	Carbon Resistor	16K 1/8 J	力 ー ボ ン 抵 抗		
* R247	WC130500	Metal Film Resistor	360K 1/4 F	金 属 被 膜 抵 抗		
* R248	WC130500	Metal Film Resistor	360K 1/4 F	金 属 被 膜 抵 抗		
* R249	WB542900	Metal Film Resistor	20K 1/4 F	金 属 被 膜 抵 抗		
* R250	WB542900	Metal Film Resistor	20K 1/4 F	金 属 被 膜 抵 抗		
* R251	WC130500	Metal Film Resistor	360K 1/4 F	金 属 被 膜 抵 抗		
* R252	WC130500	Metal Film Resistor	360K 1/4 F	金 属 被 膜 抵 抗		
R253	V9735100	Carbon Resistor	16K 1/8 J	力 ー ボ ン 抵 抗		
R280	V9718800	Metal Film (chip)	20K 1/16 D	チ ッ プ 金 被 抵 抗		
R281	V9714000	Carbon Resistor (chip)	10K 0.1 J	チ ッ プ 抵 抗		
* R282	WB175600	Metal Film (chip)	62K 1/16 D	チ ッ プ 金 被 抵 抗		
* R283	WB547600	Metal Film Resistor	270K 1/4 F	金 属 被 膜 抵 抗		
R284	V9718500	Metal Film (chip)	10K 1/16 D	チ ッ プ 金 被 抵 抗		
R285	V9917600	Carbon Resistor (chip)	150K 0.1 J	チ ッ プ 抵 抗		
R286	V9716300	Carbon Resistor (chip)	100K 0.1 J	チ ッ プ 抵 抗		
R287	V9714000	Carbon Resistor (chip)	10K 0.1 J	チ ッ プ 抵 抗		
R288	V9714700	Carbon Resistor (chip)	20K 0.1 J	チ ッ プ 抵 抗		
R289	V9716300	Carbon Resistor (chip)	100K 0.1 J	チ ッ プ 抵 抗		
* R290	V9715800	Carbon Resistor (chip)	56K 0.1 J	チ ッ プ 抵 抗		
* R291	VV277000	Flame Proof C. Resistor	6.8K 1/4 J	不 燃 化 力 ー ボ ン 抵 抗		
* R292	WB547600	Metal Film Resistor	270K 1/4 F	金 属 被 膜 抵 抗		
* R293	WB547500	Metal Film Resistor	5.6K 1/4 F	金 属 被 膜 抵 抗		
* R294	WB542900	Metal Film Resistor	20K 1/4 F	金 属 被 膜 抵 抗		
R295	V9734500	Carbon Resistor	6.8K 1/8 J	力 ー ボ ン 抵 抗		
-297	V9734500	Carbon Resistor	6.8K 1/8 J	力 ー ボ ン 抵 抗		
* R298	V9732900	Carbon Resistor	1K 1/8 J	力 ー ボ ン 抵 抗		
R299	V9736100	Carbon Resistor	47K 1/8 J	力 ー ボ ン 抵 抗		
VR201	VA787500	Trimmer Potentiometer	B 470 3P RHEOA	半 固 定 V R		01
	WA968500	Fan	RDH8025S2	D C フ ァ ン	2	06
△	V9842200	AC Cord	J VCTF 2.0X3	電 源 コ ー ド J		08
△*	WC183200	AC Cord	UC SJT 3X#18 10A	電 源 コ ー ド U,V,T		06
△*	WC183300	AC Cord	H H05VV-F0.75X316A	電 源 コ ー ド H,W,A,K		06
△*	WC183500	AC Cord	BS H05VV-F 13A	電 源 コ ー ド B		08

*: New Parts (新規部品)

RANK: Japan only

POWER AMPLIFIER

P 5000S/P 7000S

CIRCUIT DIAGRAM

■ CONTENTS (目次)

IC & DIODE OUTSIDE FIGURE	2
BLOCK DIAGRAM (ブロックダイアグラム).....	C1
WIRING DIAGRAM (基板結線図).....	C2
OVERALL CIRCUIT DIAGRAM (総回路図)	
IN	C3
PAH 1/2	C4
PAH 2/2	C5
PS	C6
LED, OUT1, OUT2, COIL, VR, PSW	C7

■ Capacitor (コンデンサー)

- (セ): Ceramic Capacitor (セラミックコンデンサー)
- (マ): Myler Capacitor (マイラーコンデンサー)
- (マイカ): Mica Capacitor (マイカコンデンサー)
- (フ): Myler Capacitor (フィルムコンデンサー)

■ Resistor (抵抗)

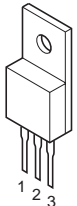
- (フ): Flame Proof Resistor (不燃化カーボン抵抗)
- セメント: Wire Wound Resistor (セメント抵抗)
- 酸金: Metal Oxide Film Resistor (サンキン抵抗)
- (F): Metal Film Resistor (金属被膜抵抗)

■ WARNING

Components having special characteristics are marked \triangle and must be replaced with parts having specification equal to those originally installed.
 \triangle 印の商品は、安全を維持するために重要な部品です。交換する場合は、安全のため必ず指定の部品をご使用下さい。

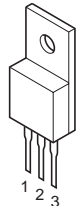
■ IC & DIODE OUTSIDE FIGURE (外形図)

• **NJM7815FA** (XD853A00)
REGULATOR +15V
PS: IC403, IC404



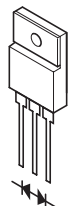
1: INPUT
2: COMMON
3: OUTPUT

• **NJM7915FA** (XD854A00)
REGULATOR -15V
PS: IC405

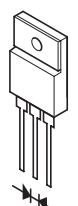


1: COMMON
2: INPUT
3: OUTPUT


• **FMU-36R** (V8498700)
DIODE STACK 20.0A 600V
PS: D413



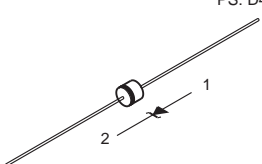
• **FMU-36S** (VN399500)
DIODE STACK 20.0A 600V
PS: D412



• **RBV-2506** (V4833600)
DIODE STACK 25.0A 600V
PS: D401

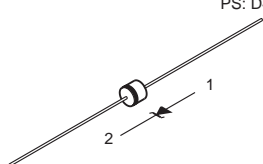


• **MTZ J 5.6B 5.6V** (VG437700)
ZENER DIODE
PS: D428



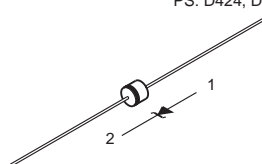
1: ANODE
2: CATHODE

• **MTZ J 12.0B 12.0V** (VG440200)
ZENER DIODE
PS: D437



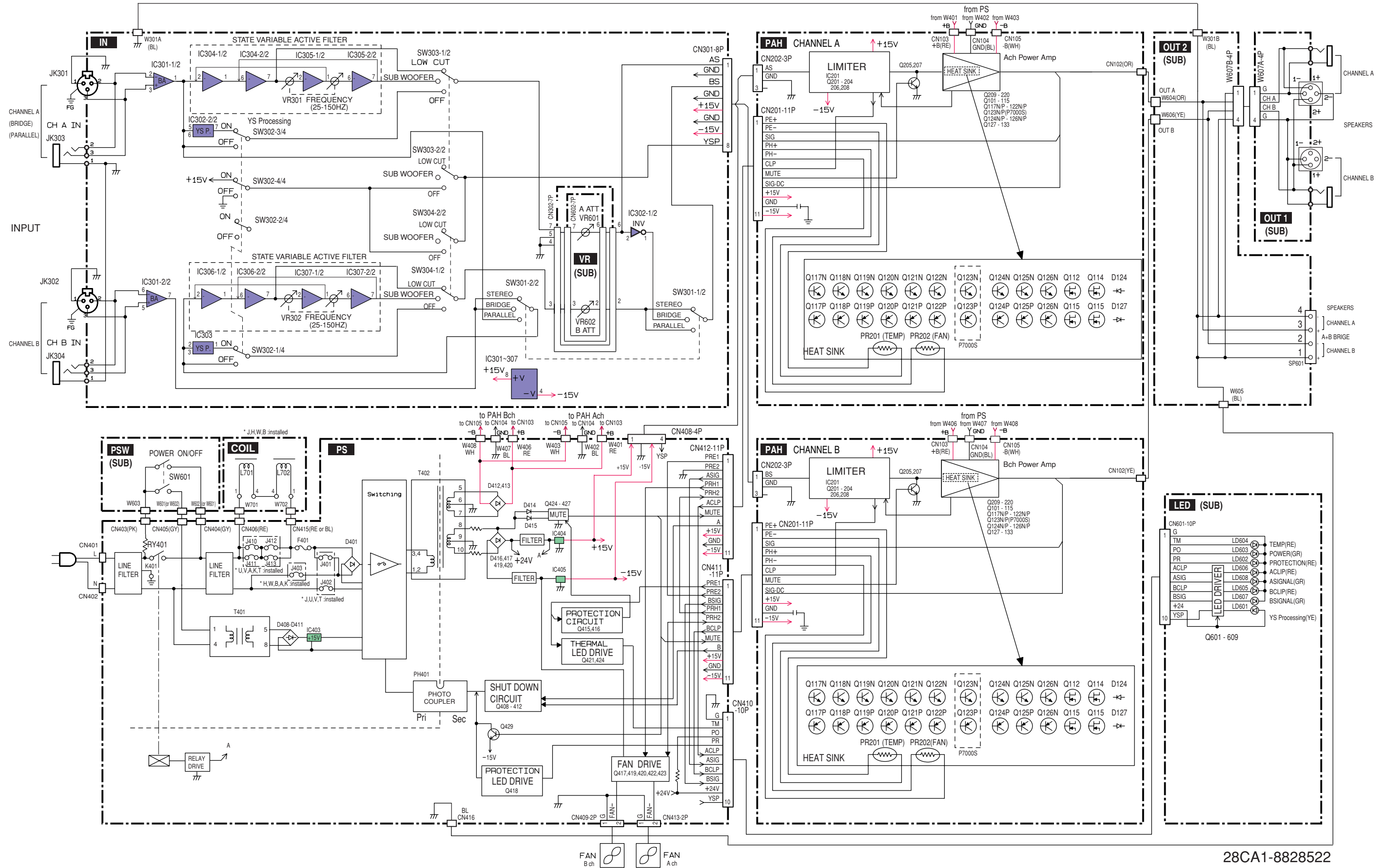
1: ANODE
2: CATHODE

• **MTZ J 15.0B 15.0V** (VG440800)
ZENER DIODE
PS: D424, D433



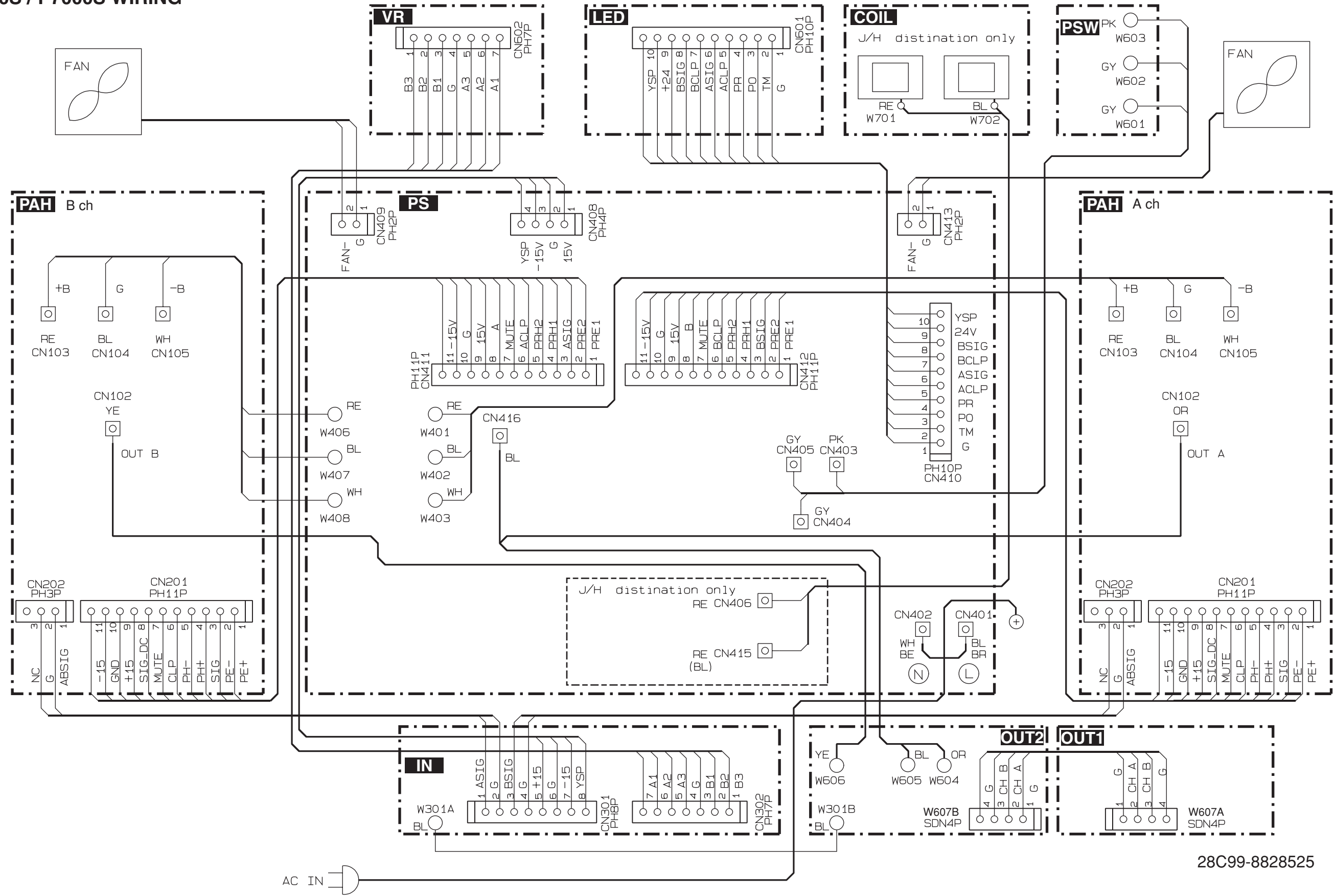
1: ANODE
2: CATHODE

P5000S / P7000S BLOCK DIAGRAM



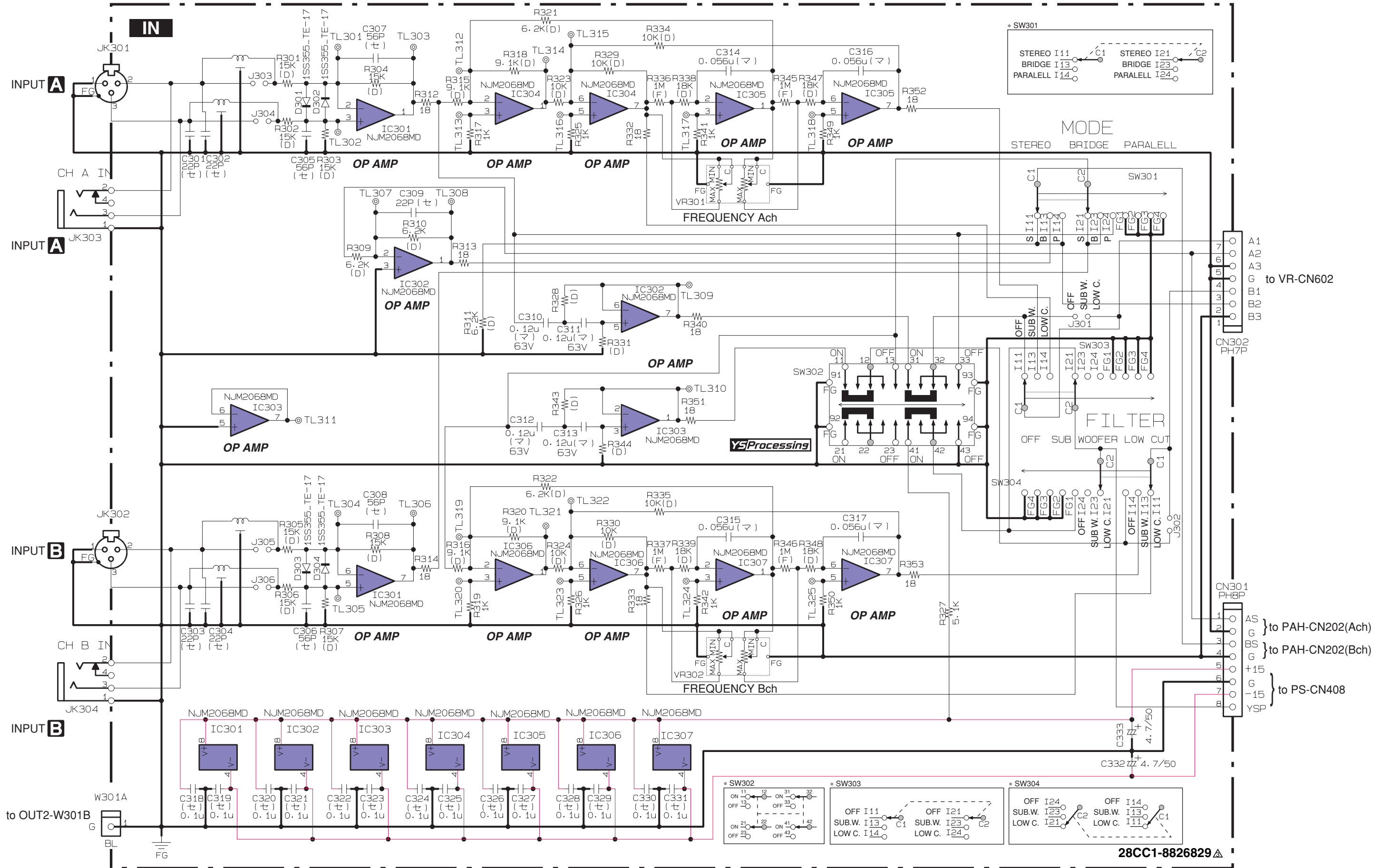
28CA1-8828522

P5000S / P7000S WIRING



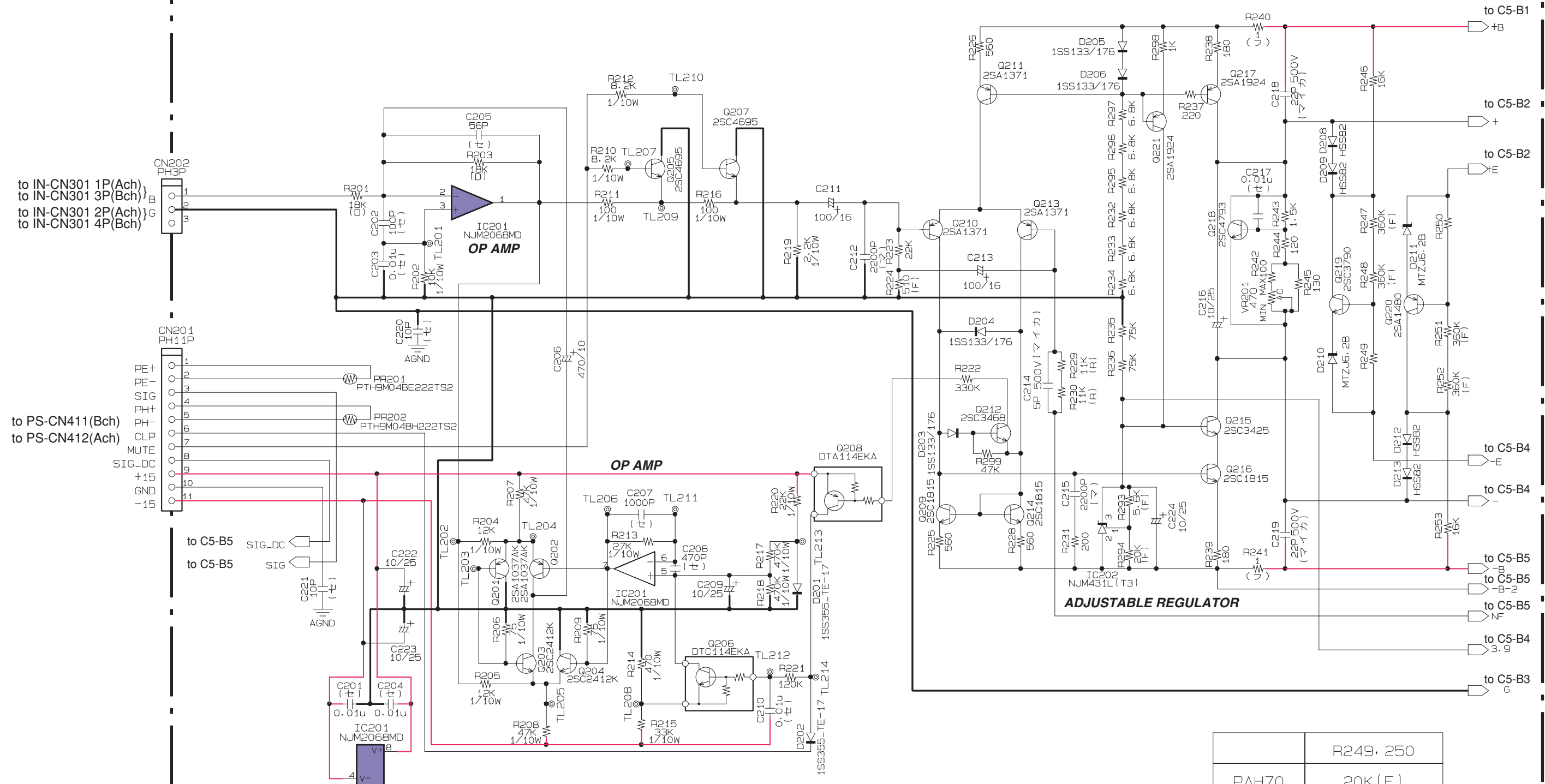
28C99-8828525

P5000S / P7000S OVERALL CIRCUIT DIAGRAM 1/5 (IN)



P5000S / P7000S OVERALL CIRCUIT DIAGRAM 2/5 (PAH 1/2)

PAH 1/2



to IN-CN301 1P(Ach)
to IN-CN301 3P(Bch)
to IN-CN301 2P(Ach)
to IN-CN301 4P(Bch)

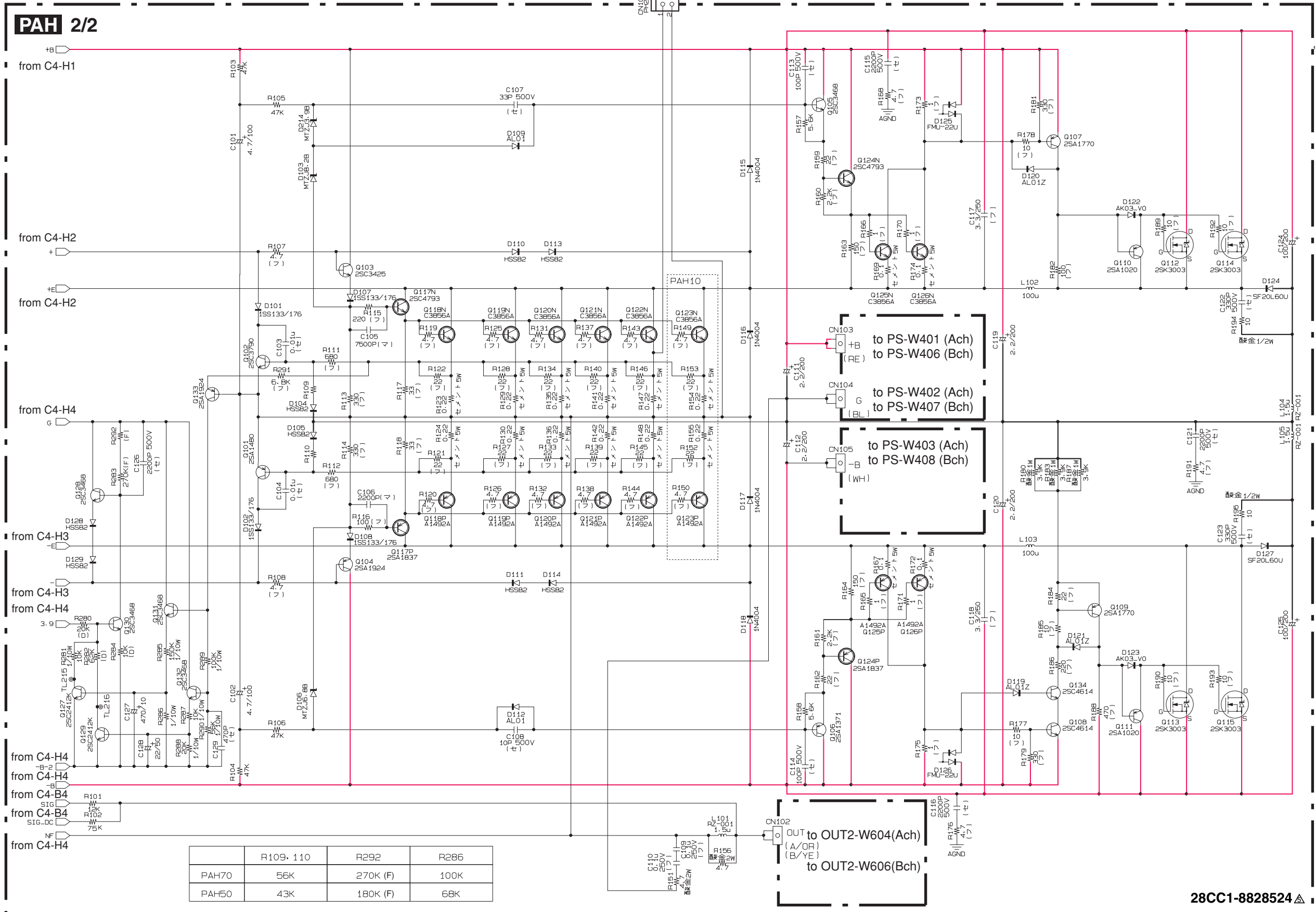
to PS-CN411(Bch)
to PS-CN412(Ach)

to C5-B5 SIG-DC
to C5-B5 SIG

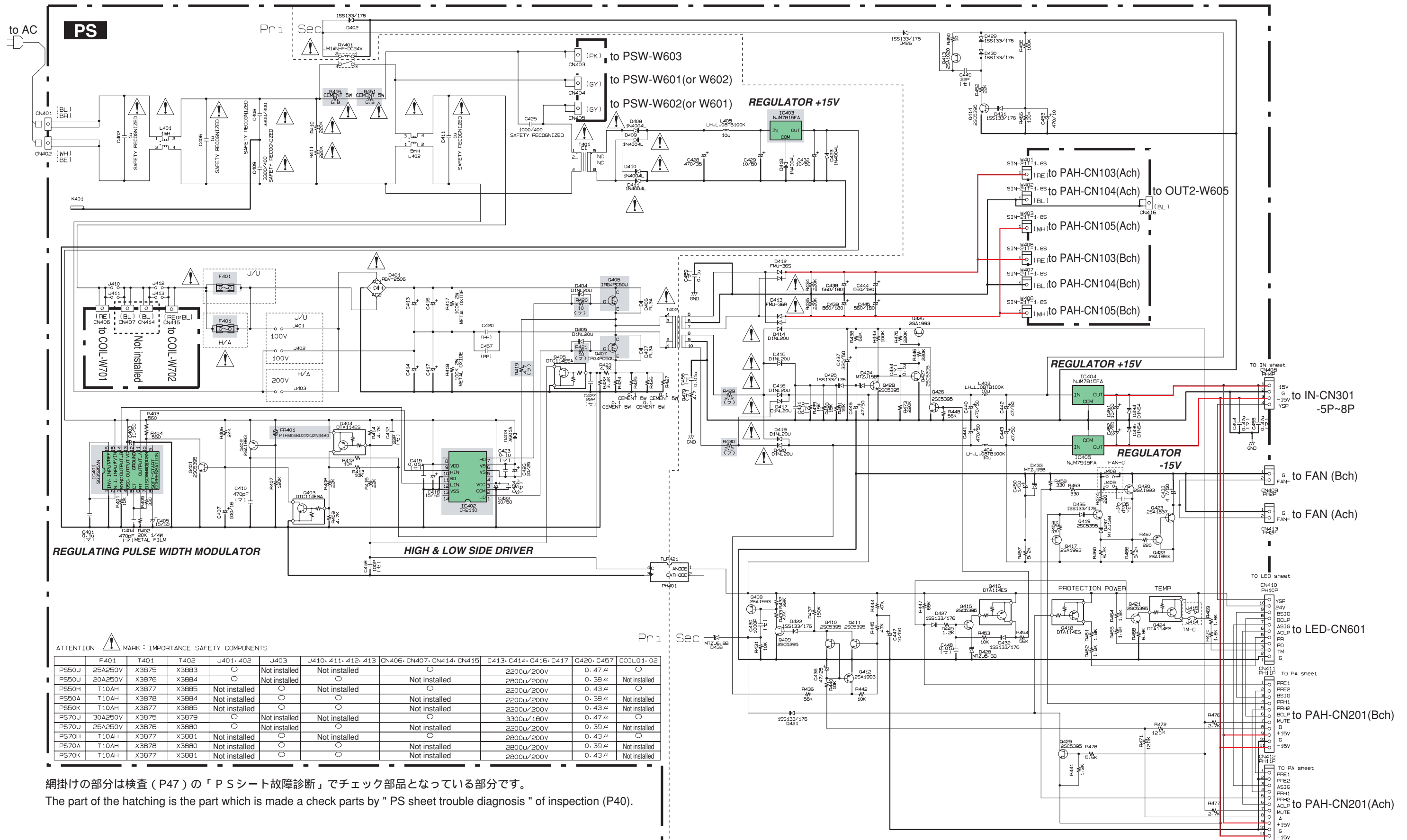
to C5-B1 +B
to C5-B2 +
to C5-B2 E
to C5-B4 E
to C5-B4 -
to C5-B5 -B-2
to C5-B5 F
to C5-B4 3.9
to C5-B3 G

	R249, 250
PAH70	20K (F)
PAH50	22K (F)

P5000S / P7000S OVERALL CIRCUIT DIAGRAM 3/5 (PAH 2/2)



P5000S / P7000S OVERALL CIRCUIT DIAGRAM 4/5 (PS)



ATTENTION MARK : IMPORTANCE SAFETY COMPONENTS

	F401	T401	T402	J401, 402	J403	J410, 411, 412, 413	CN406, CN407, CN414, CN415	C413, C414, C416, C417	C420, C457	COIL01, 02
PS50J	25A250V	X3875	X3883	○	Not installed	Not installed	○	2200u/200V	0.47 μ	○
PS50U	20A250V	X3876	X3884	○	Not installed	Not installed	○	2800u/200V	0.39 μ	Not installed
PS50H	T10AH	X3877	X3885	Not installed	○	Not installed	○	2200u/200V	0.43 μ	○
PS50A	T10AH	X3878	X3884	○	○	Not installed	○	2200u/200V	0.39 μ	Not installed
PS50K	T10AH	X3877	X3885	Not installed	○	Not installed	○	2200u/200V	0.43 μ	Not installed
PS70J	30A250V	X3875	X3879	○	Not installed	Not installed	○	3300u/180V	0.47 μ	○
PS70U	25A250V	X3876	X3880	○	Not installed	Not installed	○	2200u/200V	0.39 μ	Not installed
PS70H	T10AH	X3877	X3881	Not installed	○	Not installed	○	2800u/200V	0.43 μ	○
PS70A	T10AH	X3878	X3880	Not installed	○	Not installed	○	2800u/200V	0.39 μ	Not installed
PS70K	T10AH	X3877	X3881	Not installed	○	○	○	2800u/200V	0.43 μ	Not installed

網掛けの部分は検査 (P47) の「PSシート故障診断」でチェック部品となっている部分です。
 The part of the hatching is the part which is made a check parts by "PS sheet trouble diagnosis" of inspection (P40).

28CC1-8828523

P5000S / P7000S OVERALL CIRCUIT DIAGRAM 5/5 (LED, OUT1, OUT2, COIL, VR, PSW)

