

PT

DIGITAL SOUND PROCESSOR SPX500

SERVICE MANUAL



SPX500

CONTENTS (目次)

SPECIFICATIONS (総合仕様)	2
PANEL LAYOUT (パネルレイアウト)	3
CIRCUIT BOARD LAYOUT (ユニットレイアウト)	4
BLOCK DIAGRAM (ブロックダイアグラム)	6
DIMENSIONS (寸法図)	6
LSI DATA TABLE (LSI端子機能表)	7
IC BLOCK DIAGRAM (ICブロック図)	10
CIRCUIT BOARDS (シート基板図)	12
DISASSEMBLY PROCEDURE (分解手順)	16
TEST PROGRAM (テストプログラム)	19
CHECKS (検査)	22
ADJUSTMENTS (調整)	24
ERROR MESSAGES (エラーメッセージ)	24
MIDI DATA FORMAT (MIDIデータフォーマット)	25
MIDI IMPLEMENTATION CHART	27
PARTS LIST	

006865

YAMAHA CORP.

HAMAMATSU, JAPAN

2.64K-313

Printed in Japan '88.6.

IMPORTANT NOTICE

This manual has been provided for the use of authorized Yamaha Retailers and their service personnel. It has been assumed that basic service procedures inherent to the industry, and more specifically Yamaha Products, are already known and understood by the users, and have therefore not been restated.

WARNING: Failure to follow appropriate service and safety procedures when servicing this product may result in personal injury, destruction of expensive components and failure of the product to perform as specified. For these reasons, we advise all Yamaha product owners that all service required should be performed by an authorized Yamaha Retailer or the appointed service representative.

IMPORTANT: The presentation or sale of this manual to any individual or firm does not constitute authorization, certification, recognition of any applicable technical capabilities, or establish a principle-agent relationship of any form.

The data provided is believed to be accurate and applicable to the unit(s) indicated on the cover. The research, engineering, and service departments of Yamaha are continually striving to improve Yamaha products. Modifications are, therefore, inevitable and changes in specification are subject to change without notice or obligation to retrofit. Should any discrepancy appear to exist, please contact the distributor's Service Division.

WARNING: Static discharges can destroy expensive components. Discharge any static electricity your body may have accumulated by grounding yourself to the ground buss in the unit (heavy gauge black wires connect to this buss).

IMPORTANT: Turn the unit OFF during disassembly and parts replacement. Recheck all work before you apply power to the unit.

This product uses a lithium battery for memory back-up.

WARNING: Lithium batteries are dangerous because they can be exploded by improper handling. Observe the following precautions when handling or replacing lithium batteries.

- Leave lithium battery replacement to qualified service personnel.
- Always replace with batteries of the same type.
- When installing on the PC board, solder using the connection terminals provided on the battery cells. Never solder directly to the cells. Perform the soldering as quickly as possible.
- Never reverse the battery polarities when installing.
- Do not short the batteries.
- Do not attempt to recharge these batteries.
- Do not disassemble the batteries.
- Never heat batteries or throw them into fire.

ADVARSEL!

Lithiumbatteri. Eksplosionsfare.

Udskiftning må kun foretages af en sagkyndig, og som beskrevet i servicemanualen.

SPECIFICATIONS

ELECTRICAL CHARACTERISTICS

Frequency Response	20 Hz--12 kHz
Dynamic Range	Delay: More than 80 dB Others: More than 74 dB
THD	Less than 0.1% @DELAY, 1kHz, max.

INPUT

Number of Channels	Unbalanced x 1 (phone jack)
Nominal level	- 20 dBm
Impedance	More than 500 k-ohms

A/D, D/A CONVERSION

Number of Channels	1
Sampling Frequency	31.25kHz
Quantization	16 bits

OUTPUT

Number of Channels	Unbalanced x 2 (phone jack)
Nominal level	- 20dBm
Impedance	1 k-ohm

MEMORY

Presets (ROM)	1 - 50
User Memory (RAM)	51 - 100

MIDI CONTROL

Program Number	
Note ON/OFF	

FRONT PANNEL

Keys	(↑), (↓), MEMORY, PARAMETER, STORE, RECALL, COMPARE, INSERT, UTILITY, REV/DLY Group, MOD.OTHERS, DIST.Group, TRIGGER, BYPASS
Display	16 char, x 2 lines, LCD 2-digit 7-segment LED
Input Level Monitor	7-segment LED
Knob	Input Level Volume
Jack	TUNER OUT, INPUT

REAR PANEL

Jack(Mono)	INPUT, INSERT IN/OUT, OUTPUT L/R, FOOT SW(MEMORY/TRIGGER, BYPASS)
MIDI Terminals	IN, THRU

GENERAL

Dimensions(WxHxD)	480 x 45.2 x 285 mm
Weight	3.6 kg
Power Consumption	20 W

総合仕様

アナログ部

周波数特性	20Hz~12kHz
ダイナミックレンジ	
ディレイモード時	80dB
その他	74dB
高調波歪率(ディレイ時)	0.1%以下(@ 1kHz)

INPUT

チャンネル数	1
方式	アンバランス入力
規定入力レベル	-20dB
入力インピーダンス	500kΩ以上
コネクタ	ホーンジャック

OUTPUT

チャンネル数	2
方式	アンバランス出力
規定出力レベル	-20dB
出力インピーダンス	1kΩ
コネクタ	ホーンジャック

デジタル部

AD/DAコンバータ	16ビット
サンプリング周波数	31.25kHz
メモリー	
プリセットプログラム	50種(No. 1~50)
ユーザープログラム	50種(No. 51~100)

フロントパネル

スイッチ	POWER ON/OFF
ツマミ	INPUTレベルコントロール
ディスプレイ	
入力レベル	7素子LED(-30~0)
メモリーNo.	7セグメント2桁LED
プログラム名、パラメーター、	
メッセージ	16文字2段LCD

キー

UP(△)キー	
DOWN(▽)キー	
MEMORY	
PARAMETER	
STORE	
RECALL	
COMPARE	
INSERT	
UTILITY	
REV/DLY Group	
MOD.OTHERS	
DIST.Group	
TRIGGER	
BYPASS	
TUNER OUT	
INPUT	

ジャック

リアパネル コネクタ

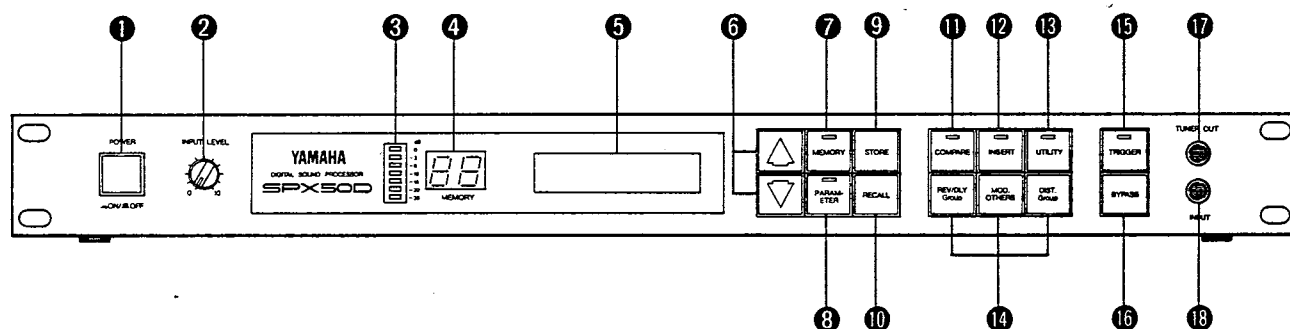
OUTPUT L/R	
MIDI IN/THRU	
FOOT SW	
(MEMORY/TRIGGER, BYPASS)	
INSERT IN/OUT	
INPUT	

電源	AC100V 50/60Hz
消費電力	13W
寸法(W×H×D)	480mm×45.2mm×285mm
重量	3.6kg

● 0 dB = 0.775Vr.m.s.

■ PANEL LAYOUT (パネルレイアウト)

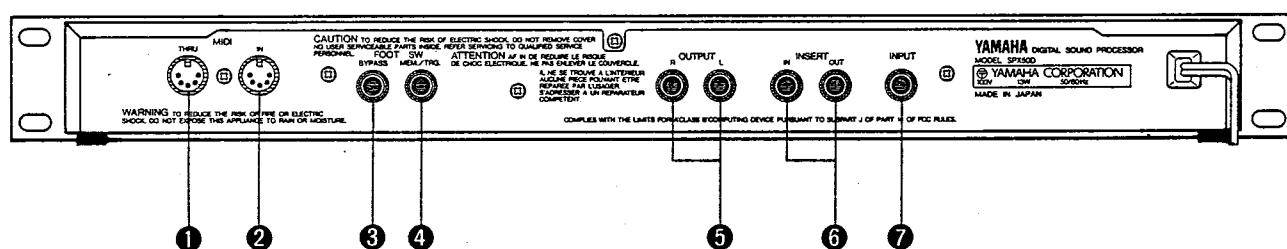
● Front Panel (フロントパネル)



- ① POWER Switch
- ② INPUT LEVEL Control
- ③ INPUT LEVEL Meter
- ④ LED MEMORY Number Display
- ⑤ LCD (Liquid Crystal Display)
- ⑥ Increment/Decrement Buttons
- ⑦ MEMORY Button
- ⑧ PARAMETER Button
- ⑨ STORE Button
- ⑩ RECALL Button
- ⑪ COMPARE Button
- ⑫ INSERT Button
- ⑬ UTILITY Button
- ⑭ Direct Recall Buttons (REV/DLY Group, MOD. OTHERS, DIST. Group)
- ⑮ TRIGGER Button
- ⑯ BYPASS Button
- ⑰ TUNER OUT Jack
- ⑱ INPUT Jack

- ① POWERスイッチ
- ② INPUTレベルコントロール
- ③ INPUTレベルメーター
- ④ メモリーNo.ディスプレイ
- ⑤ LCD
- ⑥ アップ/ダウンキー
- ⑦ MEMORYキー
- ⑧ PARAMETER選択キー
- ⑨ STOREキー
- ⑩ RECALL
- ⑪ COMPAREキー
- ⑫ INSERTキー
- ⑬ UTILITYキー
- ⑭ ダイレクトリコールキー (REV/DLY Groupキー, MOD. OTHERSキー, DIST. Groupキー)
- ⑮ TRIGGERキー
- ⑯ BYPASSキー
- ⑰ TUNER OUT端子
- ⑱ INPUT端子

● Rear Panel (リアパネル)



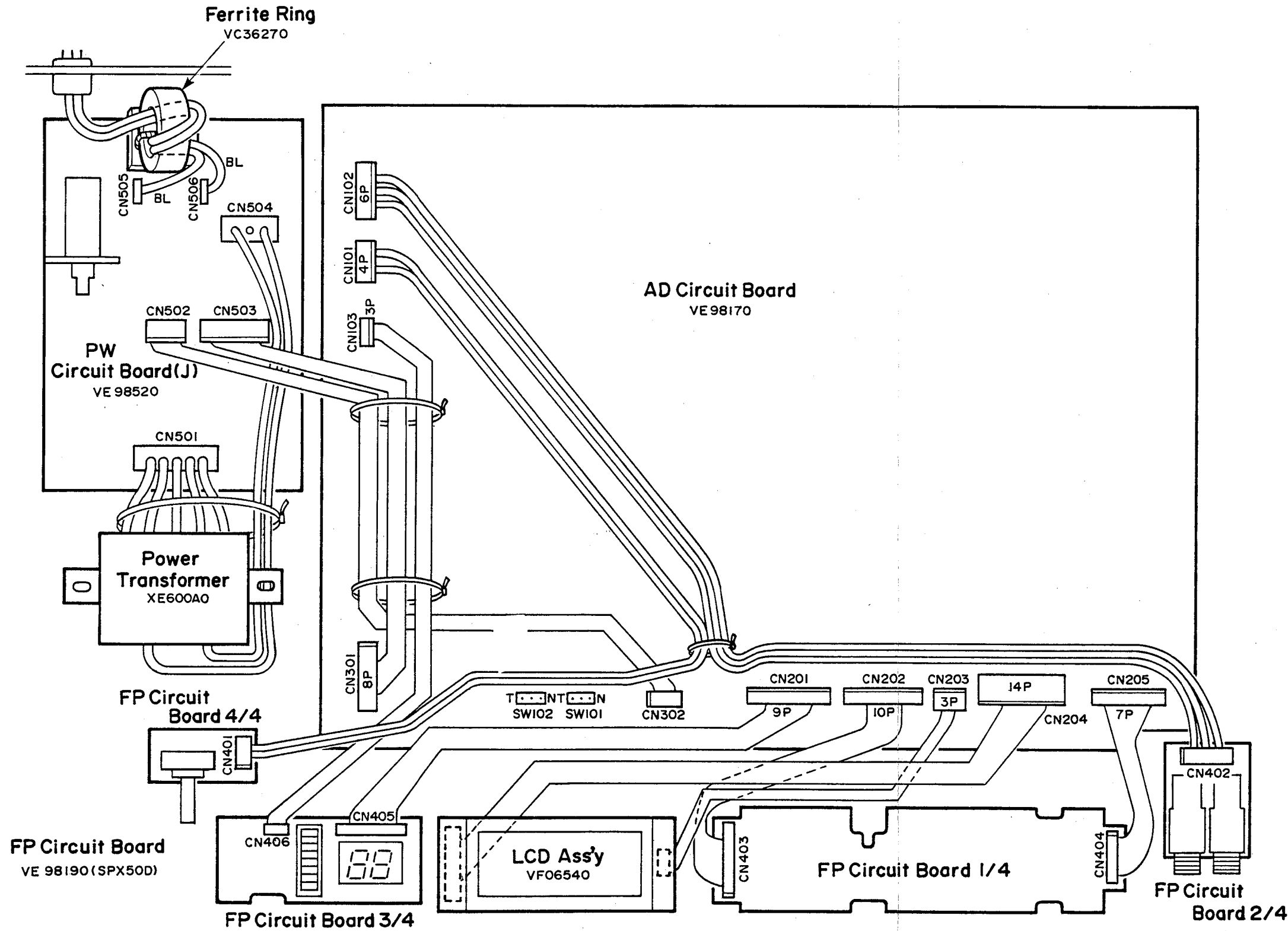
- ① MIDI THRU Connector
- ② MIDI IN Connector
- ③ BYPASS FOOT SW Jack
- ④ MEM./TRG. FOOT SW Jack
- ⑤ R & L OUTPUT Jacks
- ⑥ INSERT IN and OUT Jacks
- ⑦ INPUT Jack

- ① MIDI THRU端子
- ② MIDI IN端子
- ③ BYPASS用フットスイッチジャック
- ④ MEMORY及びTRIGGER用フットスイッチジャック
- ⑤ OUTPUT端子
- ⑥ INSERT端子
- ⑦ INPUT端子

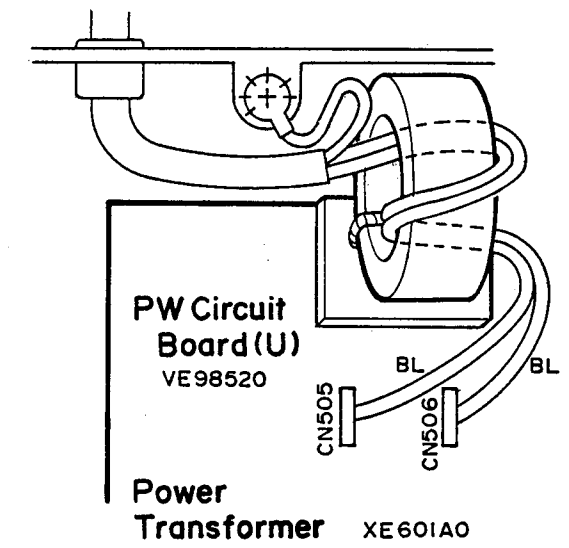
SPX50D

■ **CIRCUIT BOARD LAYOUT (ユニットレイアウト)**

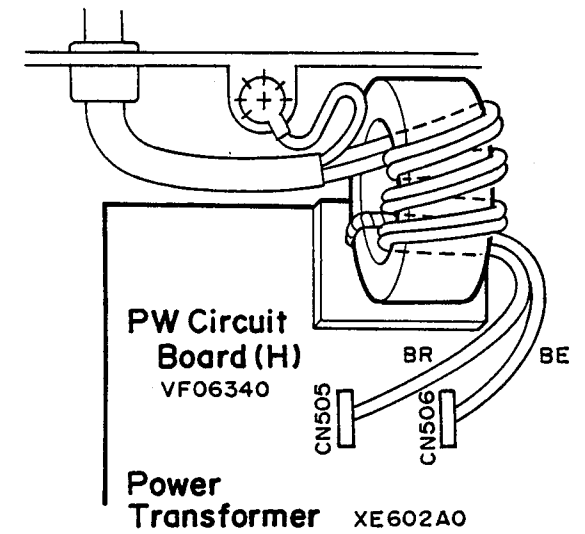
※ Japanese Model



U.S.&Canadian Models.

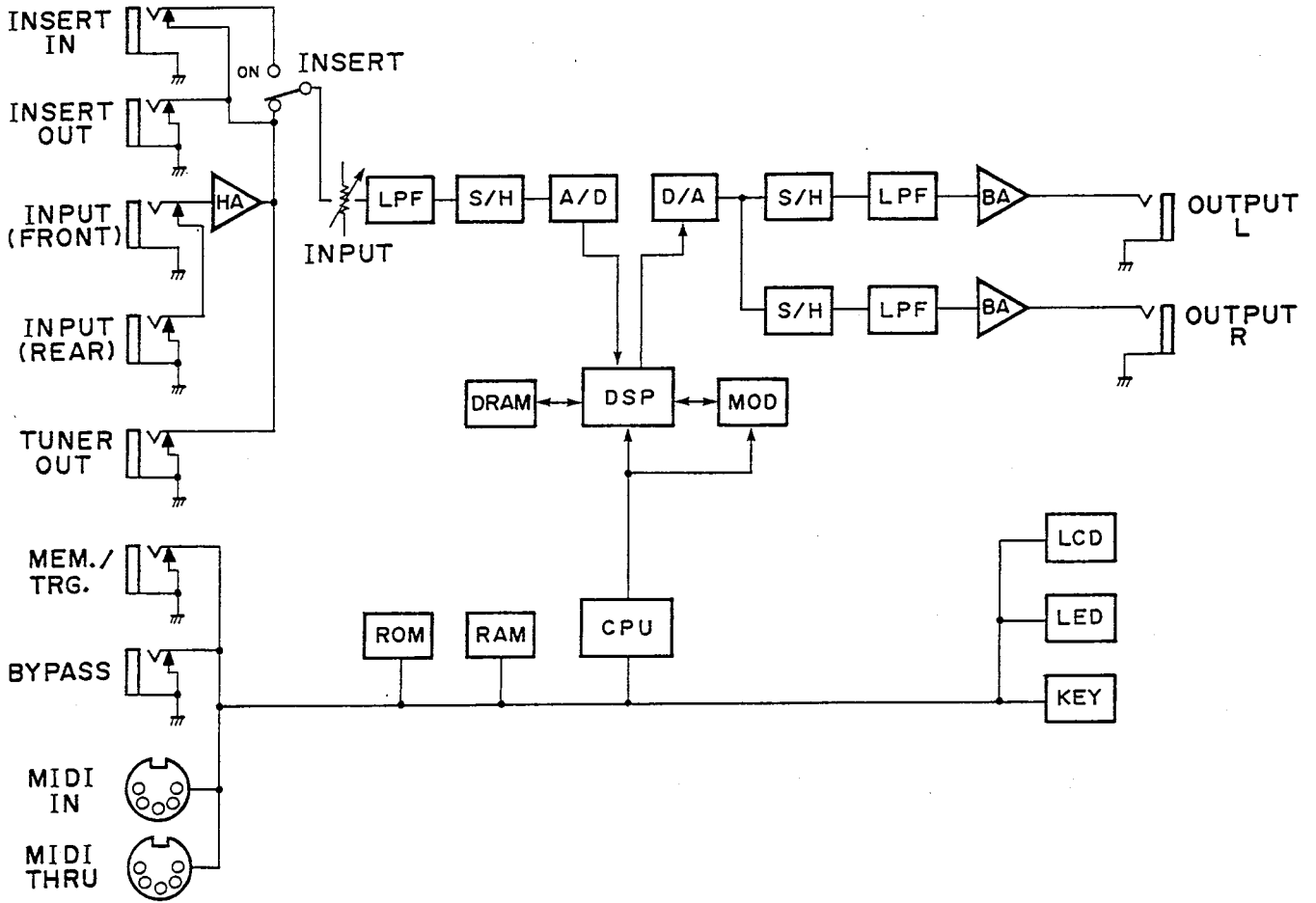


North European & German Models.

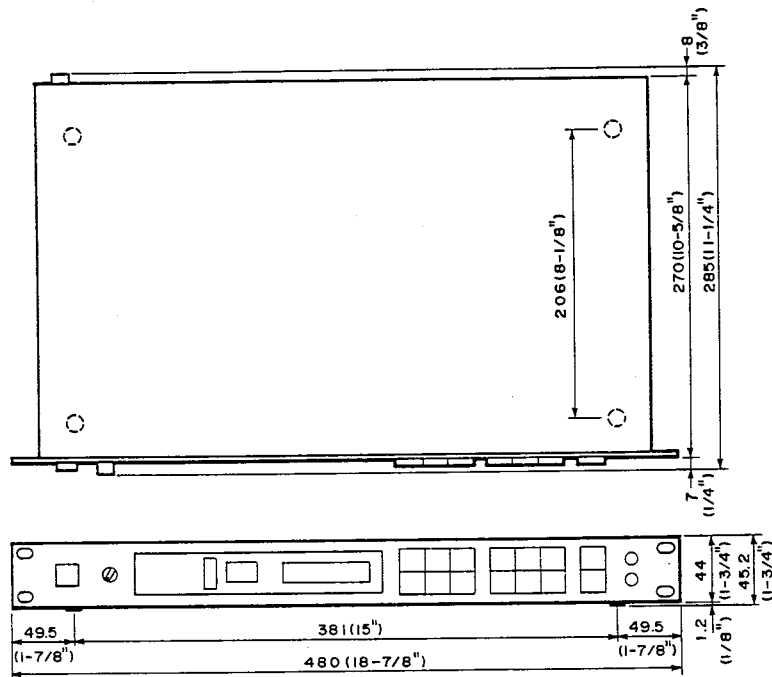


SPX50D

BLOCK DIAGRAM (ブロックダイアグラム)



DIMENSIONS (寸法図)



Unit : mm (inch)

LSI DATA TABLE (LSI 端子機能表)

● YM3901 (XC282001) ADA

PIN NO.	NAME	I/O	FUNCTION	PIN NO.	NAME	I/O	FUNCTION
1	MCLK	I	System clock	33	DA1	O	Outputs Parallel data 1 to DAC
2	SYIN	I	Input of system synch. signal	34	DA2	O	Outputs Parallel data 2 to DAC
3	SYO	O	Output of system synch. signal	35	DA3	O	Outputs Parallel data 3 to DAC
4	REST	I	System reset signal, except Ran. gen.	36	DA4	O	Outputs Parallel data 4 to DAC
5	DRST	I	Reset signal for Random generator	37	DA5	O	Outputs Parallel data 5 to DAC
6	MDO	I	Selecting system mode	38	DA6	O	Outputs Parallel data 6 to DAC
7	MD1	I		39	DA7	O	Outputs Parallel data 7 to DAC
8	MD3	I		40	DA8	O	Outputs Parallel data 8 to DAC
9	DICO	I		41	GND	I	Ground (Earth) Terminal
10	GND	I	Mode selection for Diser	42	DA9	O	Outputs Parallel data 9 to DAC
11	DIC1	I	Ground (Earth) Terminal	43	DA10	O	Outputs Parallel data 10 to DAC
12	DN	I	Mode selection for Diser	44	DA11	O	Outputs Parallel data 11 to DAC
13	TD	I	Selection of ser. data format (DSP/Normal)	45	DA12	O	Outputs Parallel data 12 to DAC
14	TNC	I	For test, external synch. control	46	DA13	O	Outputs Parallel data 13 to DAC
			Selection of ser. Input data mode at MODE 0 or 3 (Time sharing/NOT)	47	DA14	O	Outputs Parallel data 14 to DAC
15	DLY0	I	Selection of Phase lag value for DIN 1, 2	48	DA15	O	Outputs Parallel data 15 (MSB) to DAC
16	DLY1	I		49	CPIN	I	Inputs the output signal of comparator, at successive approximation
17	DIN1	I	Inputs serial data for DAC	50	ADCK	O	Inner successive comparing register CLOCK
18	DIN2	I		51	SH1	O	Sample/hold signal 1, Outputs SW sel. signal at MODE 1.
19	DOUT	O		52	SH2	O	Sample/hold signal 2 (Mode 2 : Switch sel. signal) (Mode 4 : De-glitch signal 3)
20	DDO1	O	Outputs serial data of phase delay for DIN 1, 2	53	ASW1	O	Outputs switch select signal
21	DDO2	O		54	ASW2	O	
22	DAOVC/PRIN	I	Over flow control terminal for DA. GND : OFF, 5V : ON or PRCN : 5V; Initialization of random number	55	REG2	O	For test, enable signal of resister 2
23	PRCN	I	For test, at 5V initialization of random number	56	MPX1	O	For test, select data out
24	TM1	O	Outputs timing signal	57	REG1	O	For test, enable signal of register out
25	D32	O	More delayed 32 bit in DIN 2 are output	58	VDD	I	+ 5V DC voltage
26	VDD	I	+ 5V DC voltage	59	MPX3	O	For test, select signal out
27	OVFL	O	Outputs over flow signal after AD converting (Active L)	60	DEGL11	O	De-glitch signal 11
28	PRDL	O	Outputs the timing of input for output serial ran. data from PRDO	61	DEGL12	O	De-glitch signal 12
29	PRDO	O	Outputs ser. random data (Two comp. data) for YM3015, 3020	62	REG3	O	For test, enable signal for register 3
30	DEG1	O	Outputs De-glitch signal	63	ADCX	O	For test, outputs control signal of clock for successive approximation
31	DEG2	O		64	ADST	O	For test, outputs start signal for successive approximation
32	DAO	O	Outputs Parallel data 0 (LSB) to DAC				

● YM3807 (IT380700) Modulation Data Generator

Pin No.	Name	I/O	Function	Pin No.	Name	I/O	Function
1	NC			24	VSS		Power supply ground
2	MDSIO	I	Inputs data to add to the waveform data inside MOD	23	CDO	O	CD interface serial data output
3	MDSI1	I		22	CDI	I	CD interface serial data input
4	MDSO0	O	Outputs MOD internal waveform data with the same data format as MDSIO.	21	NC		
5	MDSO1	O		20	XCLK	I	CD interface transmission clock input
6	MOD0	O	Outputs waveform data for all channels inside MOD.	19	XMD	I	Selects 1/16 mode (asynchronous) or 1/1 mode (synchronous) for the CD interface
7	MOD1	O		18	CRS	I	CD counter reset
8	MOD2	O		17	CLK	I	3.2MHz
9	MOD3	O		16	IC	I	Initial clear
10	MOD4	O		15	SYNCW	I	Sync signal input. One 64th of the master clock.
11	MOD5	O		14	MOD7	O	Outputs waveform data for all channels inside MOD.
12	VDD			13	MOD6	O	
			Power supply +5V				

● HD6303Y (XE386A00) CPU

PIN NO.	NAME	I/O	FUNCTION	PIN NO.	NAME	I/O	FUNCTION
1	Vss	I	Ground	33	Vcc	O	DC Supply
2	XTAL	I	} Clock	34	V15	O	}
3	EXTAL	I		35	A14	O	
4	MP0	I	} Mode program	36	A13	O	} Address bus
5	MP1	I		37	A12	O	
6	RES	I		38	A11	O	
7	STBY	I	Reset	39	A10	O	} Ground
8	NMi	I	Stand-by mode signal	40	A9	O	
9	P20	I/O	Non-maskable interrupt	41	A8	O	} Address bus
10	P21	I/O	} Port 2	42	Vss	O	
11	P22	I/O		43	A7	O	
12	P23	I/O		44	A6	O	
13	P24	I/O		45	A5	O	
14	P25	I/O		46	A4	O	
15	P26	I/O		47	A3	O	
16	P27	I/O	} Port 5	48	A2	O	} Data bus
17	P50	I/O		49	A1	O	
18	P51	I/O		50	A0	O	
19	P52	I/O		51	D7	I/O	
20	P53	I/O		52	D6	I/O	
21	P54	I/O		53	D5	I/O	
22	P55	I/O	} Port 6	54	D4	I/O	
23	P56	I/O		55	D5	I/O	
24	P57	I/O		56	D2	I/O	
25	P60	I/O		57	D1	I/O	
26	P61	I/O		58	D0	I/O	
27	P62	I/O		59	BA	O	Bus available
28	P63	I/O	} Port 6	60	LIR	O	Load instruction resistor
29	P64	I/O		61	R/W	O	Read/Write control
30	P65	I/O		62	WR	O	Write
31	P66	I/O		63	RD	O	Read
32	P67	I/O		64	E	O	Enable

● HD63B50P (IG147300) Asynchronous Communications Interface Adapter

PIN NO.	NAME	I/O	FUNCTION	PIN NO.	NAME	I/O	FUNCTION
1	Vss	I	DC supply 0V	13	R/W	I	Read/Write
2	Rx Data	I	Receive data	14	E	I	Enable
3	Rx CLK	I	Receive clock	15	D7	I/O	} Data bus
4	Tx CLS	O	Transmit clock	16	D6	I/O	
5	RTS	I/O	Request to send	17	D5	I/O	
6	Tx Data	O	Transmit data	18	D4	I/O	
7	IRQ	I	Interrupt request	19	D3	I/O	
8	CS0	I	} Chip select	20	D2	I/O	
9	CS2	I		21	D1	I/O	
10	CS1	I		22	D0	I/O	
11	RS	I	Resist select	23	DCD	I	Data carrier detect
12	Vcc	I	DC supply (+5.0V)	24	CTS	I	Clear to send

● PCM54HP (XA566001) Digital to Analog Converter

Pin No.	Name	I/O	Function	Pin No.	Name	I/O	Function
1	Vpot		Not used	15	DA4		Bit 13
2	DA16		Bit 1 (MSB)	16	DA3		Bit 14
3	DA15		Bit 2	17	DA2		Bit 15
4	NC		Not used	18	DA1		Bit 16 (LSB)
5	DA14		Bit 3	19	VOUT		Voltage Output
6	DA13		Bit 4	20	FBR		Not used
7	DA12		Bit 5	21	S/V		Summing Junction
8	DA11		Bit 6	22	COM		Common
9	DA10		Bit 7	23	IOUT		Current Output
10	DA9		Bit 8	24	NC		Not Used
11	DA8		Bit 9	25	OFF-S		Not Used
12	DA7		Bit 10	26	+Vcc		+15V
13	DA6		Bit 11	27	ADJ		Not used
14	DA5		Bit 12	28	-Vcc		-15V

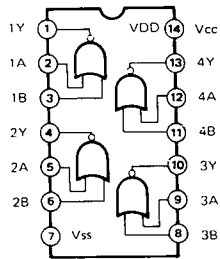
● YM3804 (IT380400) Digital Signal Processor

Pin No.	Name	I/O	Function	Pin No.	Name	I/O	Function
1	MDAT15	I.O	Data bus	64	VSS		Ground
2	MDAT14	I.O		63	MDAT16	I.O	Data bus
3	MDAT13	I.O		62	MDAT17	I.O	
4	MDAT12	I.O		61	MDAT18	I.O	
5	MDAT11	I.O		60	MDAT19	I.O	
6	MDAT10	I.O		59	MDAT20	I.O	
7	MDAT9	I.O		58	MDAT21	I.O	
8	MDAT8	I.O		57	MDAT22	I.O	
9	MDAT7	I.O		56	MDAT23	I.O	MOD data input terminal
10	MDAT6	I.O		55	MOD0	I	
11	MDAT5	I.O		54	MOD1	I	
12	MDAT4	I.O		53	MOD2	I	
13	MDAT3	I.O		52	MOD3	I	
14	MDAT2	I.O		51	MOD4	I	
15	MDAT1	I.O		50	MOD5	I	
16	MDAT0	I.O		49	MOD6	I	
17	SI1	I	48	MOD7	I	Initial clear	
18	SI1	I	47	\overline{IC}	I		
19	SO1	O	Serial data output terminal	46	\overline{CE}	I	Chip enable
20	SO0	O	Serial data output terminal	45	CLK	I	Master clock input terminal
21	XMD	I	Select internal ACIA synchronization mode	44	SYNCW	I	Input for generating SYNC signals internally
22	XCLK	I	Time-out output terminal	43	TSTI	I	Terminal for internal test. To enter test mode, connect to GND. When in use, VDD.
23	\overline{TO}	O	Time-out output terminal	42	TSTR	I	
24	\overline{CRS}	I	CD counter reset	41	MADR0	O	Address bus
25	CDO	O	CD data output terminal	40	MADR1	O	
26	CDI	I	CD data input terminal	39	MADR2	O	
27	TM1	O	Unconditionally outputs the 15th bit of the Address Shift Register	38	MADR3	O	
28	\overline{REF}	O	Three-state. Memory which needs refreshing.	37	MADR4	O	
29	\overline{OE}	O	Three-state. Connect to memory OE.	36	MADR5	O	
30	\overline{WE}	O	Three-state. Memory read/write signal.	35	MADR6	O	
31	\overline{CAS}	O	Three-state. DRAM control signal	34	MADR7	O	
32	RAS	O	Three-state. DRAM control signal	33	VDD		Power supply 5V

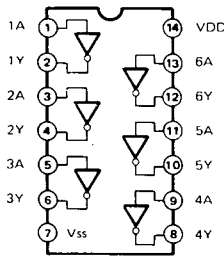
SPX50D

■ IC BLOCK DIAGRAM (ICブロック図)

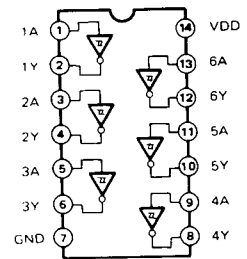
● SN74HC02N (IR000250)
Quad 2 Input NOR



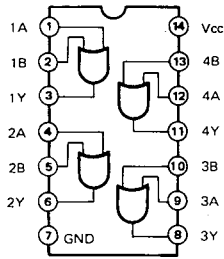
● SN74HCU04N (IG142250)
Hex Inverter



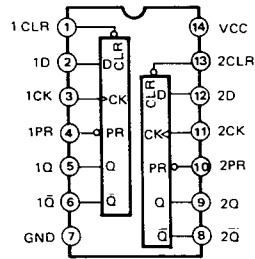
● SN74HC14N (IR001450)
Hex Inverter



● SN74HC32N (IR003250)
Quad 2 Input OR

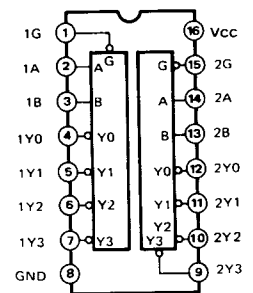


● SN74HC74N (IR007450)
Dual D-Type Flip-Flop

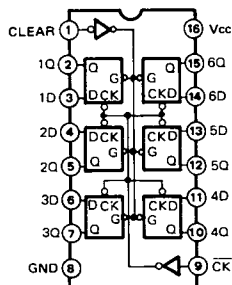


INPUTS				OUTPUTS	
PR	CLR	CLK	D	Q	Q̄
L	H	X	X	H	L
H	L	X	X	L	H
L	L	X	X	H	H
H	H	↑	H	H	L
H	H	↑	L	L	H
H	H	L	X	Q _o	Q̄ _o

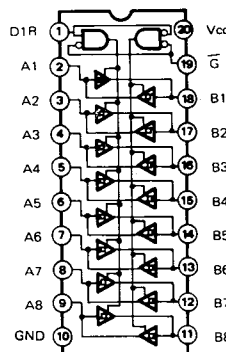
● SN74HC139N (IR013950)
Dual 2 to 4 Demultiplexer



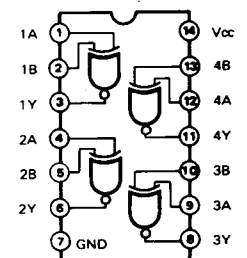
● SN74HC174N (IR017450)
Hex D-Type Flip-Flop



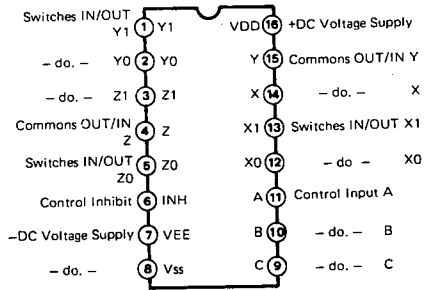
● SN74HC245N (IR024550)
Octal 3-State Bus Transceiver



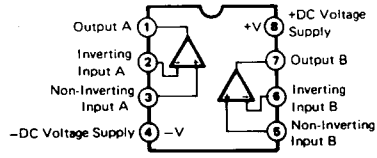
● SN74LS266P (XA379001)
Quad 2 Input O.C. Ex-NOR



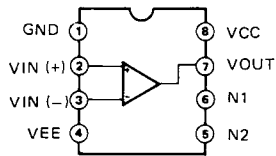
- **TC4053BP** (IG055100)
Triple 2-Ch.
Multiplexer/Demultiplexer



- **M5238P** (XA013001)
- **NJM4558DV** (IG001390)
Dual Operational Amplifier



- **IR9311** (IG134900)
Comparator



■ DISASSEMBLY PROCEDURE (分解手順)

1. Removal of Top cover

- Remove the 7 screws ① (3×8 bind head screw).
(Refer to Fig. 1)
- Lift the Top cover while opening the bottom edges of the both sides of it slightly.

1. トップカバーの取外し方

- ネジ① (3×8 バインド小ネジ) 7本を外します。
(Fig.1 参照)
- トップカバーの両サイドの下端を少し開くようにしてトップカバーを持ち上げ取外します。

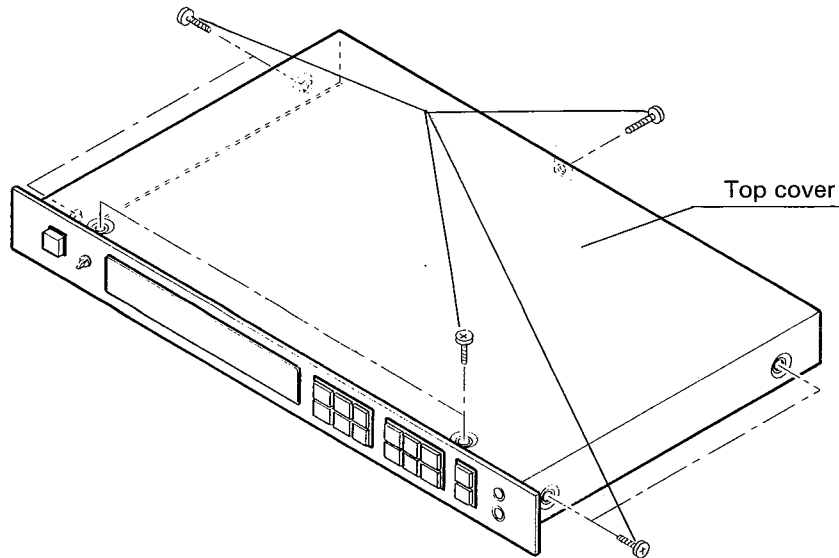


Fig. 1

2. Removal of AD Circuit board

- Remove the Top cover. (Refer to 1.)
- Remove the 4 screws ② (3×8 bind head screw).
(Refer to Fig. 2)
- After the 3 screws ③ (3×8 bind head screw) have been removed, the AD circuit board can be raised.
(Refer to Fig. 3)

2. ADシートの取外し方

- トップカバーを取外します。(1項参照)
- ネジ② (3×8 バインド小ネジ) 4本を外します。
(Fig.2 参照)
- ネジ③ (3×8 バインド小ネジ) 3本を外します。
(Fig.3 参照)
- ADシート上の全コネクタを外しADシートを取出します。

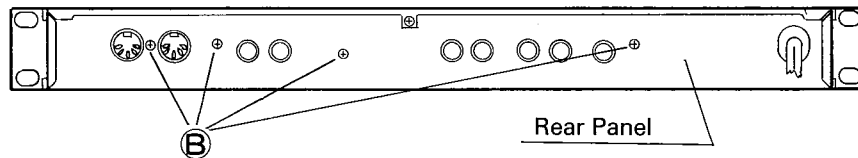


Fig. 2

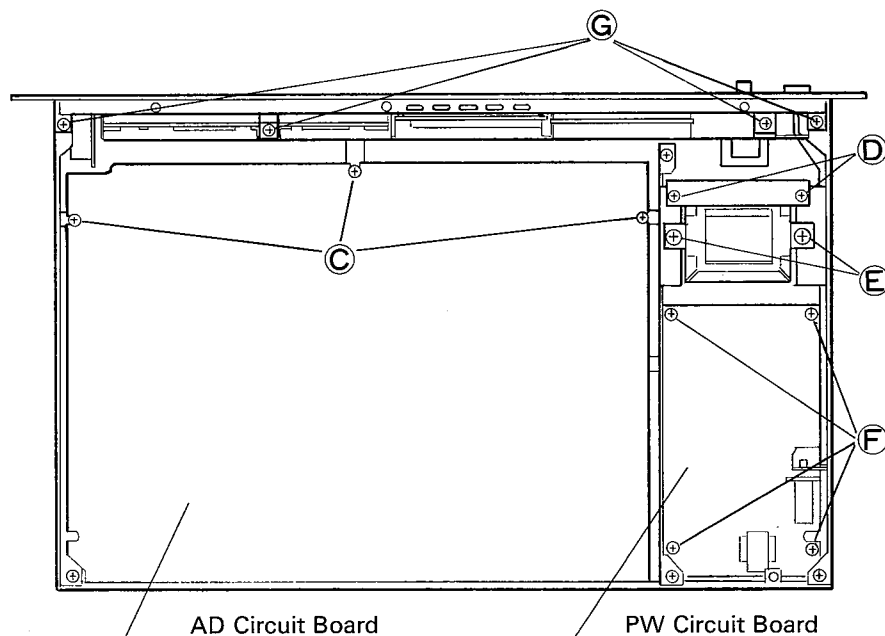


Fig. 3

3. Removal of PW circuit board (Refer to Fig. 3)

- Remove the Top cover. (Refer to 1.)
- Remove the 2 screws ① (3×8 bind head screw), and remove the shield plate.
Remove the 2 screws ② (4×6 bind head screw).
- Disconnect all connectors on the PW circuit board, and take the Power transformer out of the unit.
- Remove the 4 screws ③, (3×8 bind head screw) and take the PW circuit board out of the unit.

4. Removal of FP circuit boards

- Remove the Top cover. (Refer to 1)
- Remove the 4 screws ④ (3×8 bind head screw).
- Remove the 5 screws ⑤ (3×8 bind head screw), which located on the bottom side of the unit, and take the Front panel out of the unit.

(Refer to Fig. 4)

4-1 Removal of FP1/4 circuit board

- Disconnect 2 connectors on the AD circuit board, and take the FP1/4 circuit board out of the unit.

4-2 Removal of FP2/4 circuit board

- Remove the 2 hexagonal nuts ⑥ (φ9) which located on the right side of the sub chassis.

(Refer to Fig. 5)

- Disconnect a connector on the AD circuit board, and take the FP2/4 circuit board out of the unit.

3. PWシートの取外し方 (Fig.3参照)

- トップカバーを取外します。(1項参照)
- ネジ① (3×8 バインド小ネジ) 2本を外しシールド板を取除きます。
- ネジ② (4×6 バインド小ネジ) 2本を外します。
- PWシート上のコネクタを外し、電源トランスを取外します。
- ネジ③ (3×8 バインド小ネジ) 4本を外しPWシートを取出します。

4. FPシートの取外し方

- トップカバーを取外します。(1項参照)
- ネジ④ (3×8 バインド小ネジ) 4本を外します。(Fig.3参照)
- 本体底部の前縁にあるネジ⑤ (3×8 バインド小ネジ) 5本を外しフロントパネルを取外します。(Fig.4参照)

4-1 FP1/4シートの取外し方

- ADシート上のコネクタ2個を外しFP1/4シートを取出します。

4-2 FP2/4シートの取外し方

- サブシャーシ右端にある六角ナット⑥ (φ2個を外します。(Fig.5参照)
- ADシート上のコネクタを外しFP2/4シートを取出します。

4-3 Removal of FP3/4 circuit board.

- Remove the 2 screws **(K)** (3×8 bind head screw).
(Refer to Fig. 5)
- Disconnect 2 connectors on the AD circuit board, and take the FP3/4 circuit board out of the unit.

4-4 Removal of the FP4/4 circuit board.

- Pull the knob out from a shaft of the variable resistor.
- Remove a hexagonal nut **(L)** ($\phi 7$)
- Disconnect a connector on the AD circuit board, and take the FP4/4 circuit board out of the unit.

4-3 FP3/4シートの取外し方

- ネジ**(K)** (3×8 バインド小ネジ) 2本を外します。
- ADシート上のコネクタを外しFP3/4シートを取出します。(Fig. 5 参照)

4-4 FP4/4シートの取外し方

- INPUT LEVELのつまみを外します。
- 六角ナット**(L)** ($\phi 7$)を外します。(Fig. 5 参照)
- ADシート上のコネクタを外しFP4/4シートを取出します。

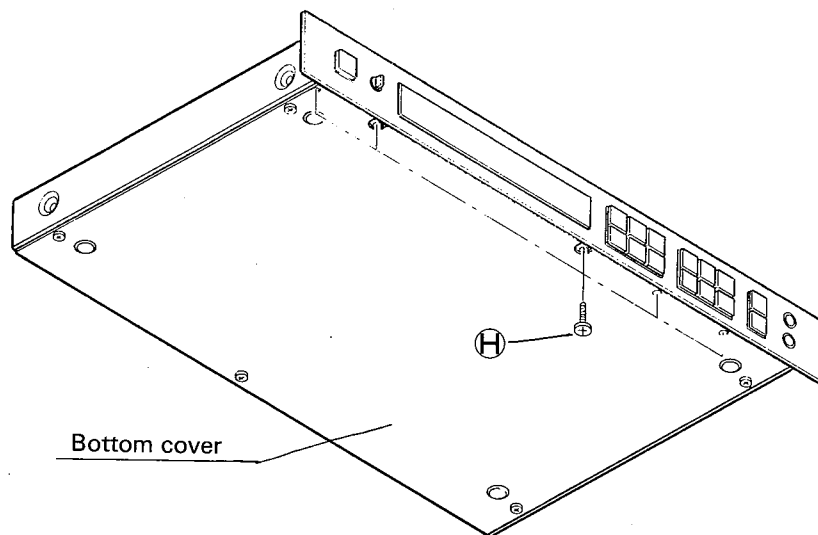


Fig. 4

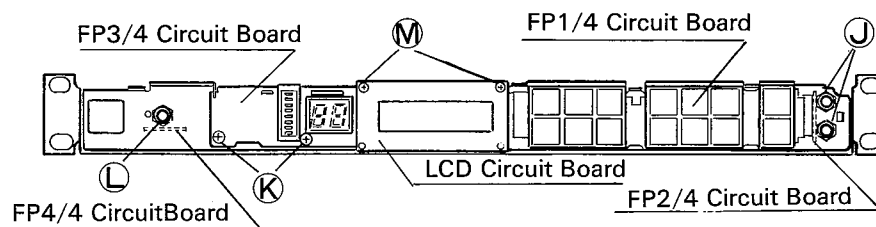


Fig. 5

5. Removal of the LCD circuit board.

- Remove the Top cover and Front panel.
(Refer to 1., 4.)
- Remove the 2 screws **(M)** (2.6×5 pan head screw).
(Refer to Fig. 5)
- Disconnect the connectors on the AD circuit board, and take the LCD circuit board out of the unit.

5. LCDシートの取外し方

- トップカバー及び、フロントパネルを取外します。(1、4項参照)
- ネジ**(M)** (2.6×5 ナベ小ネジ) 2本を外します。(Fig. 5 参照)
- ADシート上のコネクタを外しLCDシートを取出します。

■TEST PROGRAM

● Test Program Entry

- (1) While pressing the "BYPASS" and "MEMORY" switches, turn the POWER switch on.

The Test Program will be activated.
The message will appear in the LCD as shown below,

TEST ACIA

and the 7-segments LED will indicate "0".
The ROM, RAM, DEQ and DSP checks are performed automatically.

- (2) On normal operation, when the power switch is turned on, the ROM and RAM checks will be performed automatically. And the DEQ, DSP check will be performed too.

- (3) The test-number will be indicated in the 7-segments LED.

Select a test-number with following operation.

First, press the "MEMORY" switch.

Pressing the "↑" switch will increase the test-number and pressing the "↓" switch will decrease it.

Press the "RECALL" switch to initiate the test.

- (4) When the test 6 is activated after completion of the tests 1 through 5, normal operation will be restored. When the test 100 is activated, normal operation will be restored regardless of the completion of the tests.

1. TEST1 : LCD Check

- (1) Select the test-number "1", and press the "RECALL" switch to initiate the test.
- (2) The entire LCD is turned "ON and OFF" five times.
- (3) Verify proper lighting of all dots in the LCD.

2. TEST2 : LED Check

- (1) Select the test-number "2", and press the "RECALL" switch to initiate the test.
- (2) The 7-segments LED will indicate figures of "0" to "99" in sequence.

■テストプログラム

● A. テストプログラムの起動方法

- (1) **BYPASS** キーと **MEMORY** キーを押しながら、パワースイッチを ON する。

※テスト・プログラムが起動した場合、下記のように表示される。

DIAGNOSTICS V*.*
TEST ACIA ■■

7セグメント LED には **0** が表示される。

- (2) ROM, S-RAM のチェック・サム、リード・ライト・テスト及び DEQ, DSP の制御回路のチェックは、テストプログラム起動時、またはメイン・プログラム上(通常動作時)にてパワー・スイッチ ON 時に自動的に行なわれる。

B. テスト・プログラムNo.の選択方法

MEMORY キーを押し、**△** 及び **▽** キーにて、所定のテストNo.を選択した後、**RECALL** キーを押す。

※テストNo.は、7セグメント LED に表示される。

C. テスト・プログラムから通常動作への復帰

- (1) テスト 6 を選択し、**RECALL** キーを押す。但し、この場合、テスト・プログラム 1～5 を、すべて行った場合のみ、通常動作へ復帰できる。
- (2) テスト 100 を選択して、**RECALL** キーを押した場合には、テスト 1～5 を、実行したか、否かに係らず通常動作に復帰できる。

1. TEST1 LCD 表示器の動作チェック

- (1) テスト 1 を選択し、**RECALL** キーを押す。
- (2) LCD の全表示ドットの点滅を、5 回繰り返す。
- (3) LCD 表示器の動作を目視により確認する。

2. TEST2 LED 点灯チェック

- (1) テスト 2 を選択し、**RECALL** キーを押す。
- (2) 7セグメント LED を **0**, **11**, **22**, ~**99** の順番で表示後、キー・スイッチ内 LED を、**MEMORY**, **PARAMETER**, **COMPARE**, **INSERT**, **UTILITY**, **TRIGGER** の順で表示する。その後、7セグメント LED の全セグメント、及び、キースイッチ内のすべての LED を約 3 秒間点灯する。

- (3) The switch LED indicators will light one after another in order of "MEMORY", "COMPARE", "INSERT", "UTILITY", "TRIGGER".
- (4) All of the LED indicators and segments will simultaneously light ON about three seconds.
- (5) Verify proper lighting of all LED indicators and segments.

3. TEST3 : Switch Check

- (1) Connect foot switches to the BYPASS and MEM./TRG. jacks.
- (2) Select the test-number "3", and press the "RECALL" switch to initiate the test.
- (3) The switch number "00" will appear in the LCD as shown below.

TEST SWITCH 00

Press the switch of which the number is indicated on the LCD.

Pressing the correct switch can advance the program.

The order is as shown below;

(00) MEMORY	(07) MOD.
(01) PARAMETER	(09) UTILITY
(02) STORE	(10) DIST.
(03) RECALL	(11) TRIGGER
(04) COMPARE	(12) BYPASS
(05) REV./DLY	(F1) FOOT SW BYPASS
(06) INSERT	(F2) FOOT SW MEM./TRG.

- (4) When these tests have been completed successfully, an "OK" message will appear on the LCD.
- (5) If an incorrect switch is pressed, an error message "NG" will appear on the LCD. Press the "RECALL" switch to return the routine to the procedure (2). And press the switches again in correct order.

4. TEST4 : AD OFFSET Adjustment

- (1) Connect a power amplifier and a monitor speaker to the L or R OUTPUT connector in order to obtain sound check.
- (2) Select the test-number "4", and press the "RECALL" switch to initiate the test.

TEST OFFSET

- (3) LED が、すべて点灯するか、否かを目視により確認する。

3. TEST3 スイッチの動作チェック

- (1) BYPASS MEM./TRG. ジャックにフットスイッチを接続しておく。
- (2) テスト 3 を選択し、**RECALL** キーを押す。
- (3) LCD に次の表示が出て、最初は ■■ 部に 00 が点滅している。

DIAGNOSTICS V*.*
TEST SWITCH ■■

- (4) この状態で、**△** キーを押すと、■■ 部には 01 が点滅する。
- (5) 次に、**△** キーを押すと、■■ 部には、02 が点滅する。
- (6) 以下、**MEMORY**、**PARAMETER**、**STORE**、**RECALL**、**COMPARE**、**REV/DLY**、**INSERT**、**MOD.**、**UTILITY**、**DIST.**、**TRIGGER**、**BYPASS** キーの順番に押す。
次に、**BYPASS**、**MEM./TRG.** の順番にフットスイッチを押す。
- (7) すべてのキーを、順番通り押した場合、■■ 部に OK の表示が出る。正しい順番でキーが押されなかった場合、その時点で、■■ 部に NG が表示される。この場合、**RECALL** キーを押して、(2)より順に再チェックすること。

4. TEST4 A/D オフセット

A/D 変換部でのオフセットを最小に調整する。

- (1) OUTPUT L 又は R 端子より、パワー・アンプに入力し、スピーカーにて音が聴ける様にセットする。
- (2) テスト 4 を選択し、**RECALL** キーを押す。

OUTPUT 端子の出力信号を、約 0.5 秒おきに、位相反転させることにより、オフセット電圧があった場合、スピーカーよりクリック雑音として確認できる。

DIAGNOSTICS V*.*
TEST OFFSET ■■

If an OFFset voltage is present, the click noise can be heard from the monitor speaker.

- (3) Adjust VR102 on the AD circuit board to minimize the click noise level.

5. TEST5 : User's memory setting

- (1) Select the test-number "5", and press the "RECALL" switch to initiate the test. The message will appear on the LCD as shown below ;
PRESET USER PRG.
- (2) Press the STORE switch. The data in Memory locations 1 through 50 will be duplicated to Memory locations 51 through 100.
- (3) If you won't to perform this function, press the "MEMORY" switch, and press the "↑" or "↓" switch to select other routine.

6. TEST 10-17 : DRAM CHECK

- (1) Select the test-number "10" through "17", and press the "RECALL" switch to initiate the test. The LCD will indicate a message as shown below.

TEST DRAM ■■■

test-no. (テストNo.)	DRAM IC-no.				message at the "■■■" section (■■■表示部)
	MSB			LSB	
10	IC202	IC201	IC206	IC205	THR
11	IC201	IC206	IC205	IC204	04B
12	IC206	IC205	IC204	IC203	08B
13	IC205	IC204	IC203	0000	12B
14	IC204	IC203	0000	0000	16B
15	IC203	0000	0000	0000	20B
16	1000	0000	0000	0000	- MX
17	0111	1111	1111	1111	+ MX

- (3) スピーカーからのクリック雑音を聴きながら、ADシート内の調整用半固定ボリュームVR102を回してクリック雑音が最小になる様に調整する。

5. TEST5 ユーザーズ・メモリーのセッティング

- (1) テスト5を選択し、**RECALL** キーを押す。

DIAGNOSTICS V * . *
PRESTET USER PRG. 3

- (2) STOREスイッチを押すと、メモリーNo.51~100までのメモリーに、No.1~50までのメモリー内容がコピーされる。
- (3) コピーする必要のない時は、他のテストを選択する。

6. TEST 10~17 DRAM チェック

- (1) テスト10~17を選択し、**RECALL** キーを押す。
- (2) チェックされるDRAMを下表に示す。

DIAGNOSTICS V * . *
TEST DRAM ■ ■ ■

■ CHECKS

1. PREPARATIONS

1-1 Preparatory Settings

- Unless otherwise specified, the volume on the front panel and switches on the rear panel are to be set as follows:
INPUT VOL.....MAX
SW101, 102 "T"
- Each load of the OUTPUT L and R connector is to be serially connected to a load resistor (10kohms)
- After inspection, set switches SW101 and 102 to "N".

1-2 Measuring Instruments

- For the distortion measurement, a low-pass filter with cut-off frequency of 80 kHz and -6dB/OCT must be used.
- For the noise level measurement, a low-pass filter with the cut-off frequency of 12.7kHz and -6dB/OCT must be used.
- The output impedance of the AF signal generator must be less than 600 ohms.
- The input impedance of the measuring instruments must be over 1 Mohms.

2. INSPECTIONS

2-1 Gain

When a input signal of -16.0dBm at 1 kHz is applied to the INPUT connector, output signals of $-6.0 \pm 1\text{dBm}$ will be obtained at the OUTPUT L and R connectors.

2-2 Frequency Characteristics

When an input signal of -30dBm is applied from the INPUT connector, the frequency characteristics of the OUTPUT L and R connectors are within the range listed in the table below. The reference frequency used is 1kHz.

20Hz ~ 11kHz	$0 \pm \frac{1}{2} \text{dB}$
12kHz	$0 \pm \frac{2}{3} \text{dB}$

■ 検査

1-1 準備

○ボリューム及びスイッチは特に指定のない限り下記の状態とする。

INPUT VOL.	MAX
SW101, 102	"T" (TEST)

○OUTPUT 端子の負荷

OUTPUT L, R とも PHONE JACK 端子 10k Ω

○尚、テスト終了後、SW101, 102 は "N" 側にするこ
と。

1-2 測定器

- (1) 歪率測定時は 80KHz -6dB/OCT のフィルターを使用のこと。
- (2) ノイズレベル測定時は 12.7KHz -6dB/OCT のフィルターを使用のこと。
- (3) 発振器の出力インピーダンスは 600 Ω 以下のこと。
- (4) 測定器の入力インピーダンス 1M Ω 以上のこと。

2-1 利得

INPUT 端子より $-16.0\text{dBm}/1\text{kHz}$ の入力信号を印加した時、OUTPUT L 及び R 端子に次のような $-6.0 \pm 1.0\text{dBm}$ の出力信号が得られること。

2-2 周波数特性

INPUT 端子より -30dBm の入力信号を印加した時、L, R の各 OUTPUT 端子での周波数特性は、1kHz を基準として下表の範囲内のこと。

20Hz ~ 11kHz	$0 \pm \frac{1}{2} \text{dB}$
12kHz	$0 \pm \frac{2}{3} \text{dB}$

2-3 歪率

2-2の状態での歪率は 0.08 % 以下のこと。

2-4 最大出力

1-1の状態にて INPUT 端子に 1 kHz の入力信号を印加した時、L, R の各 OUTPUT 端子に -6.0dBm の出力信号が歪率 0.1 % 以下で得られること。

2-3 Distortion Factor

When an input signal of -30dBm is applied from the INPUT connector, the distortion factor should be less than 0.08% .

2-4 Maximum Output

When a 1kHz input signal is applied to the INPUT connector according to the conditions of section 1-1, the maximum level of the output signal at the L and R OUTPUT connectors should be -6.0dBm with a distortion factor of less than 0.1% .

2-5 Meter Sensitivity

When 1kHz input signals are applied to the INPUT connector according to the conditions of section 1-1, and adjust the input level to obtain a signal of $-13 \pm 3\text{dBm}$ at the OUTPUT connector L, the "0" level of the level meter is illuminated. At this point, all level except "0" are illuminated.

When the input is opened, all level LED are turned out.

2-6 Muting Circuit

After the POWER switch is turned ON, muting is effective for three or four seconds, and no output signals are generated. After this time delay output signals can be obtained at each OUTPUT connector.

2-7 Noise Level

With the same conditions as stated in 1-1, the noise levels of the L and R OUTPUT connectors are less than -86dBm .

2-5 メーター感度

1-1 の状態で、INPUT 端子に 1kHz の入力信号を印加してLのOUTPUT端子に $-13 \pm 3\text{dBm}$ の出力信号が得られるように入力信号のレベルを調整した時、レベルメーターの"0"が点灯すること。この時、"0"以下のLEDは全て点灯していること。又、無信号時には、全てのLEDが消灯すること。

2-6 ミューティング回路

パワースイッチをONした後、2～4秒間はミュートがかかり、出力信号が出ず、その後出力信号が各出力端子に得られること。

2-7 ノイズレベル

1-1 の状態で、OUTPUT L, R のノイズレベルは -86dBm 以下のこと。

■ ADJUSTMENTS

1. PREPARATIONS

- Turn the INPUT LEVEL to maximum.
- Leave the slide switches SW101 and SW102 on the AD circuit board set to the TEST position.
- The load of the L and R OUTPUT connectors are to each be serially connected to a load resistor (10k ohms).
- After the adjustments have been performed, turn the switches to the NORMAL position.

2. ADJUSTMENTS

2-1

Apply an input signal of -15.5dBm at 1kHz to the INPUT connector and adjust VR101 so that the output signal is clipping slightly at the L and R OUTPUT connectors.

Adjust VR102 so that the clipping signal is vertically symmetrical.

Afterwards, adjust VR 101 until the distortion waveforms of the L and R OUTPUT connectors for minimum distortion. And adjust VR103 so that the output signals of the L and R OUTPUT connectors become $-5.5 \pm 0.5\text{dBm}$.

2-2

When the INPUT is opened, the noise levels of the L and R OUTPUT connectors should be less than -86dBm .

If noise levels are not within rated levels, adjust VR102 so that the noise levels are within rated values.

■ ERROR MESSAGES

E0	ROM sum check error.
E1	RAM (CPU's) read/write error.
E2	RAM (IC211) read/write error.

■ 調整

1. 準備

- INPUT LEVEL ボリュームを、最大にセットする。
- SW101, SW102 を、“T” 側にセットする。
- L, R の OUTPUT 端子に、10kオームの負荷をセットする。
- 調整終了後は、SW101, SW102 を、“N” 側に戻しておくこと。

2. 調整

2-1-1

INPUT 端子より $-15.5\text{dBm}/1\text{kHz}$ の入力を印加し、OUTPUT L, R 端子の出力が少し歪み始めるように VR101 を調整した後、信号が上下対称に歪み始めるように VR102 を調整する。

2-1-2

この後、OUTPUT L, R 端子において、歪み波形が出る直前の位置に VR101 を調整する。

そして、次に、OUTPUT L, R 端子の出力が、 $-5.5 \pm 0.5\text{dBm}$ となるように VR103 を調整する。

2-2

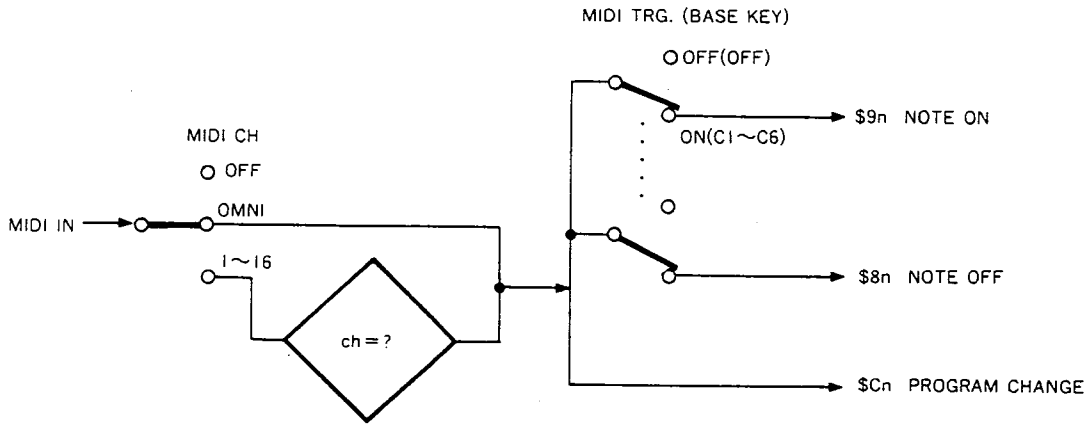
1項の状態、INPUT に信号を印加しない時、OUTPUT 端子でのノイズレベルは、 -86dBm 以下であること。この規格に入らない場合は、VR-102 を最小限動かして、ノイズレベルが規定値内に入るように調整する。

■ エラーメッセージ

E0	ROM チェックサムエラー
E1	RAM (CPU内部) リードライトエラー
E2	RAM (IC211) リードライトエラー

MIDI DATA FORMAT

1. Reception Conditions



2. Reception Data

2-1. Channel Information

1) Channel Voice Message

① NOTE ON

Can be received on the MIDI Channel set in the currently active bank.

In the case of effect 28 (ADR-Noise Gate) and effect 30 (Reverb & Gate), if the MIDI TRG parameter is ON a NOTE ON message received will trigger the effect.

If effect 31 (PitchA) is selected, the received NOTE ON data is used to set the pitch shift of the effect. NOTE ON data will be ignored, however, if the BASE KEY parameter is set to OFF.

STATUS 1001nnnn(9nH) n=0(channel no.1)-15(channel no.16)

NOTE NO. 0kkkkkkk k=0(C-2)-127 (G8)

VELOCITY 0vvvvvv v=0-127

② NOTE OFF

Although this message causes no direct action in the SPX50D, it is essential to signal the end of a NOTE ON message. The conditions for NOTE OFF message reception are the same as for NOTE ON reception, as described above.

STATUS 1000nnnn (8nH) n=0 (channel no.1)-15(channel no.16)

NOTE NO. 0kkkkkkk k=0(C-2)-127 (G8)

VELOCITY 0vvvvvv v=0-127

③ PROGRAM CHANGE

Can be received on the MIDI channel set in the currently active bank.

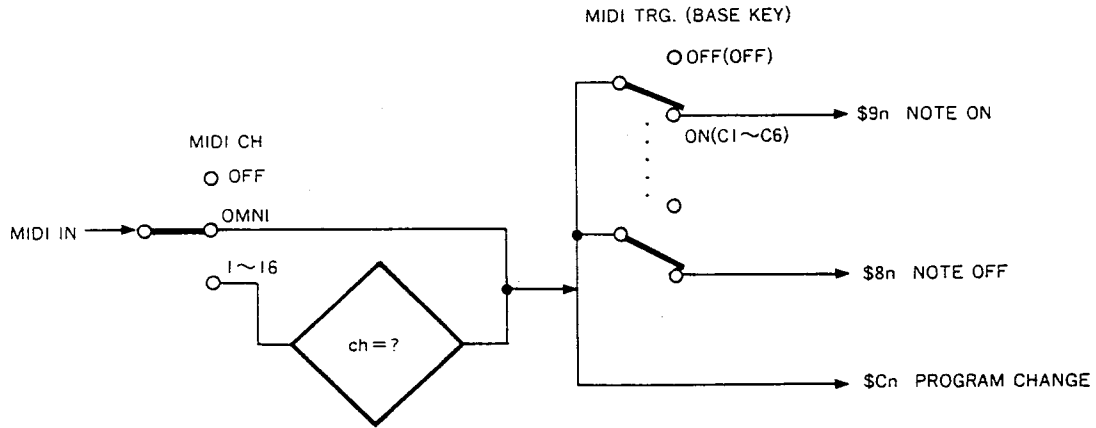
The effect assigned to the received program number in the program assignment table will be selected.

STATUS 1100nnnn(CnH) n=0(channel no.1)-15(channel no.16)

PROGRAM NO. 0ppppppp p=0-127

■ MIDI データフォーマット

1. 受信条件



2. 受信データ

2-1. チャンネルインフォメーション

1) チャンネルボイスメッセージ

① ノートオン

現在選択されているバンクの MIDI チャンネルで受信可能です。

現在選択されているバンクの MIDI チャンネルで受信可能です。

“28. ADR-Noise Gate” または “30. Reverb & Gate” のプログラムになっている場合は、MIDI TRG. のパラメータが ON になっていればトリガーとして受信します。また、“31. Pitch A” のプログラムになっている場合は、音程差をコントロールするためのメッセージとして受信します。ただし、BASE KEY のパラメータが OFF になっていると受信しません。

ステータス 1001nnnn (9nH) n=0 (チャンネルナンバー1) ~15(チャンネルナンバー16)

ノートNo. 0kkkkkkk k=0 (C-2) ~ 127 (G8)

ベロシティ 0vvvvvv v=0~127

② ノートオフ

このメッセージは、本機にとっては意味を持ちませんが、ノートオン・メッセージの終了を判断する上で必要なメッセージです。なお、受信条件は、①のノートオン・メッセージの場合と同じです。

ステータス 1000nnnn (8nH) n=0 (チャンネルナンバー1) ~ 15(チャンネルナンバー16)

ノートNo. 0kkkkkkk k=0 (C-2) ~ 127 (G8)

ベロシティ 0vvvvvv v=0~127

③ プログラムチェンジ

現在選択されているバンクの MIDI チャンネルで受信可能です。

受信すると、そのバンクのプログラムチェンジ表にもとずき、任意のプログラムが呼び出されます。

ステータス 1000nnnn (CnH) n=0(チャンネルナンバー1) ~15 (チャンネルナンバー16)

プログラムNo. 0ppppppp p=0~127

COPYRIGHT

SPX50D

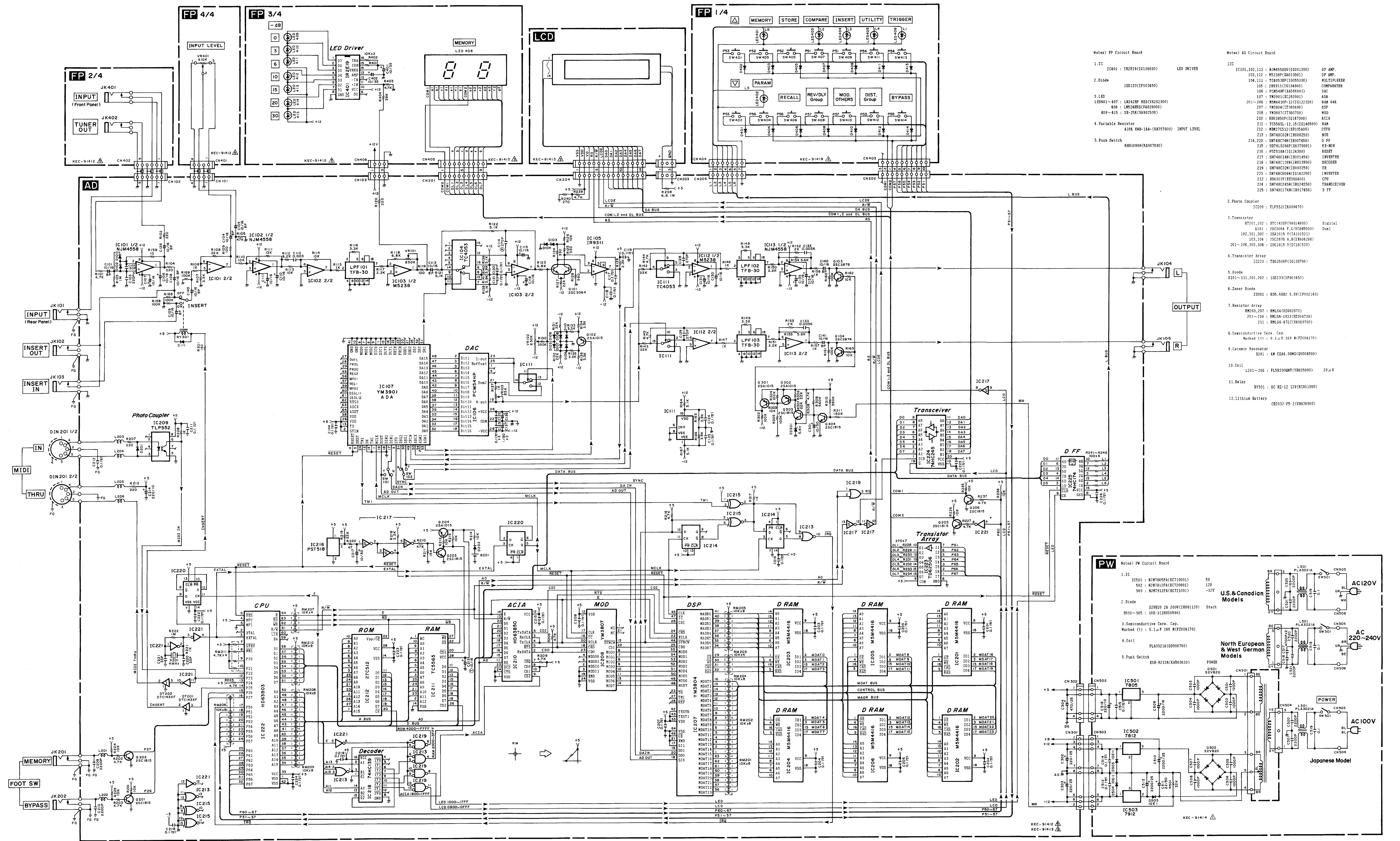
YAMAHA [Digital Sound Processor]
 Model SPX50D MIDI Implementation Chart

Date : 4/16, 1988
 Version : 1.0

Function ...	Recognized	Remarks
:Basic Default	: 1 - 16	: memorized
:Channel Changed	: 1 - 16	:
:Mode Default	: OMNI OFF/OMNI ON	: memorized
:Messages	: x	:
:Altered	: x	:
:Note Number : True voice	: o 0 - 127 : x	: *1
:Velocity Note ON	: x	:
:Note OFF	: x	:
:After Key's	: x	:
:Touch Ch's	: x	:
:Pitch Bender	: x	:
:Control	: x	:
:Change	:	:
:Prog Change : True #	: o 0 - 127 :	: *2
:System Exclusive	: x	:
:System : Song Pos	: x	:
: : Song Sel	: x	:
:Common : Tune	: x	:
:System :Clock	: x	:
:Real Time :Commands	: x	:
:Aux :Local ON/OFF	: x	:
: :All Notes OFF	: x	:
:Mes- :Active Sense	: x	:
:sages:Reset	: x	:
:Notes	: *1 Note ON/OFF is recognized only for pitch change and trigger on.	
	: *2 For program 1 - 128, memory #1 - #100 is selected.	

Mode 1 : OMNI ON, POLY Mode 2 : OMNI ON, MONO o : Yes
 Mode 3 : OMNI OFF, POLY Mode 4 : OMNI OFF, MONO x : No

SPX50D

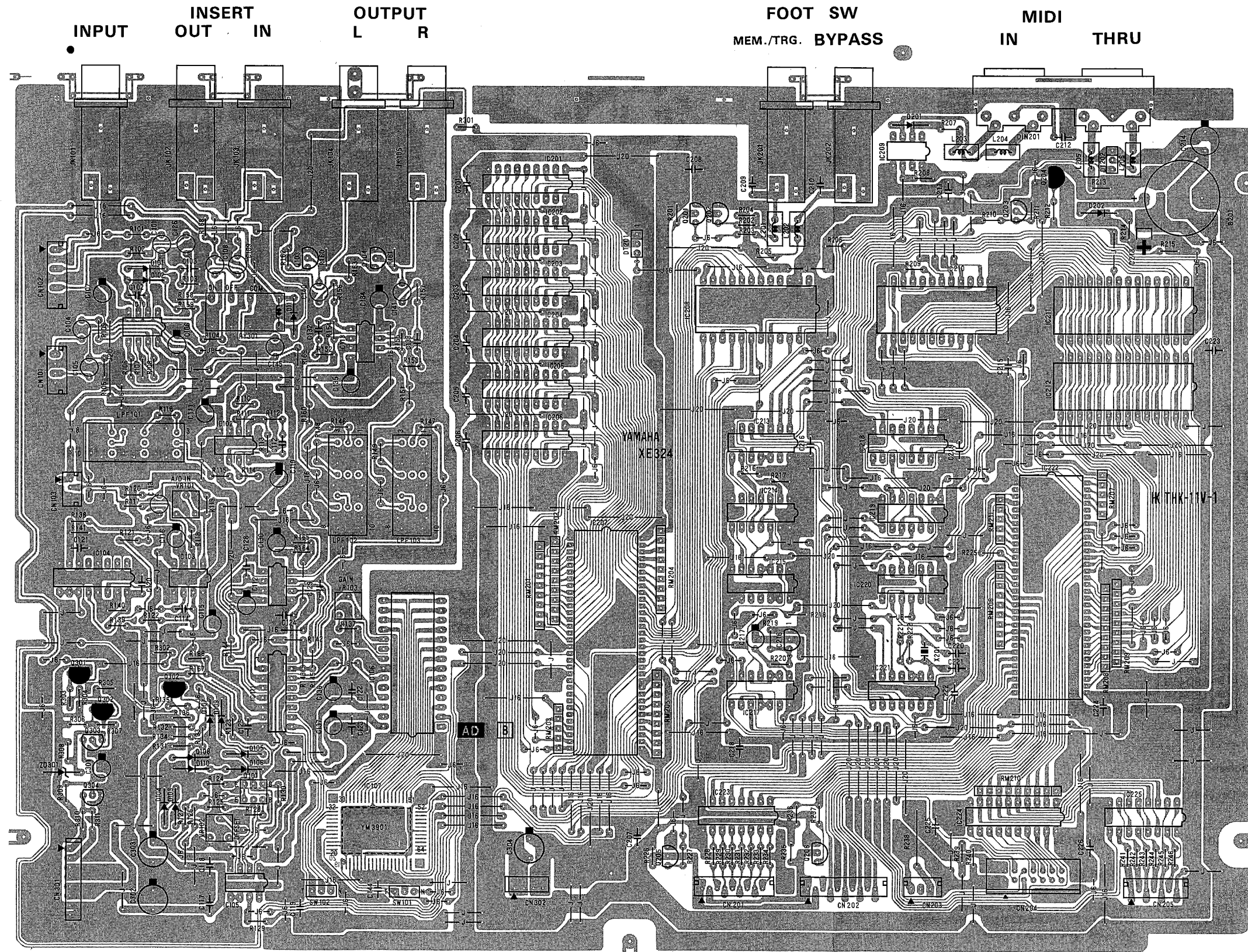


- Notes: FP Circuit Board
- IC 10401 : 102E19 (1G16600)
 - Diode 10S102 (1F00450)
 - LED LED041-407 : LM242RP RED (V4262300) 408 : LM242RS (V4026000) 409-410 : SX-25K (V4929200)
 - Variable Resistor A10K EWH-148-(V475900) INPUT LEVEL
 - Push Switch KH110998 (EA507030)
- Notes: AD Circuit Board
- IC IC101, 102, 113 : NJM4558BV (G001390) OP AMP. IC103, 112 : M5238P (A013001) OP AMP. 104, 111 : T040538P (1G05100) MULTIFUNCTION COMPASSATOR. 105 : 18R111 (1G134900) DAC. 106 : FCN54P (V456601) FM. 107 : YK301 (1G23200) AM. 108 : YK300 (1G30400) AM. 109 : YK300 (1G30400) AM. 110 : YK300 (1G30400) AM. 111 : YK300 (1G30400) AM. 112 : YK300 (1G30400) AM. 113 : YK300 (1G30400) AM. 114 : YK300 (1G30400) AM. 115 : YK300 (1G30400) AM. 116 : YK300 (1G30400) AM. 117 : YK300 (1G30400) AM. 118 : YK300 (1G30400) AM. 119 : YK300 (1G30400) AM. 120 : YK300 (1G30400) AM. 121 : YK300 (1G30400) AM. 122 : YK300 (1G30400) AM. 123 : YK300 (1G30400) AM. 124 : YK300 (1G30400) AM. 125 : YK300 (1G30400) AM.
 - Photo Coupler IC209 : TLPS52 (1G00470)
 - Transistor DT01, 202 : DTC1432F (V4024600) Digital. DT02 : 2SC3094 F, C (V0349000) Digital. 102, 201, 202 : 2SC3015 Y (1A15210) Digital. 103, 104 : 2SC278 A, B (1304200) Digital. 201-206, 303, 304 : 2SC1815 Y (1C181520)
 - Transistor Array IC223 : TDG250P (1G130700)
 - Diode D101-111, 201, 202 : 10S102 (1F00450)
 - Zener Diode Z301 : RM. 6B2 5.0V (1F002140)
 - Resistor Array RM102, 207 : RML54 (E202070) 201-210 : RML54-103 (E204730) 211 : RML54-472 (V4069700)
 - Semiconductive Cera. Cap. Marked (C) : 0.1uF 16V W (F2004170)
 - Ceramic Resonator X201 : 4M CSA4. 90M6 (Q0004900)
 - Coil L201-206 : FL5R200M7 (V833000) 20uH
 - Relay RY301 : DC 0R-12 12V (C001000)
 - Lithium Battery CR2032-PS-2 (V8436000)

- Notes: PW Circuit Board
- IC IC501 : NJM7805FA (N719001) 5V. IC502 : NJM7812FA (N720001) 12V. IC503 : NJM7912FA (N721001) -12V. U.S. & Canadian Models
 - Diode D502-505 : 1N4001 (1G00590) Stack
 - Semiconductive Cera. Cap. Marked (C) : 0.1uF 16V W (F2004170)
 - Coil PL4021A (09090740) North European & West German Models
 - Push Switch ESB-8212A (KAB03610) Japanese Model

■ CIRCUIT BOARDS (シート基板図)

● AD Circuit Board



Notes)

* Circuit Board

AD (VE981700) XE324B0

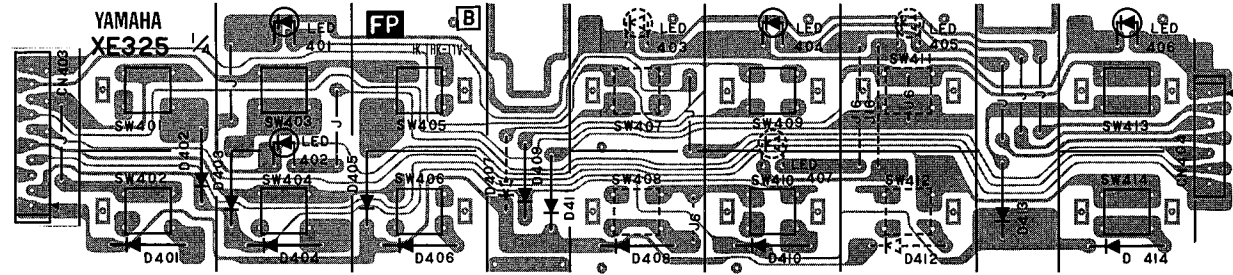
1. IC
 IC101, 102, 113 : NJM4558DV (IG001390) OP AMP.
 IC103, 112 : M5238P (XA013001) OP. AMP.
 IC104, 111 : TC4053BP (IG055100) MULTIPLEXER
 IC105 : IR9311 (IG134900) COMPARATER
 IC106 : PCM54HP (XA566001) DAC
 IC107 : YM3901 (XC282001) ADA
 IC201~206 : M5M4416P-12 (IG122320) RAM 64K
 IC207 : YM3804 (IT380400) DSP
 IC208 : YM3807 (IT380700) MOD
 IC210 : HD63B50P (IG147300) ACIA
 IC211 : TC5565L-12, 15 (IG148500) RAM
 IC212 : MBM27C512 (XF035A00) OTPR
 IC213 : SN74HC02N (IR000250) NOR
 IC214, 220 : SN74HC74N (IR007450) D FF
 IC215 : HD74LS266P (XA379001) EX-NOR
 IC216 : P5T518A (IG124300) RESET
 IC217 : SN74HC14N (IR001450) INVERTER
 IC218 : SN74HC139N (IR013950) DECODER
 IC219 : SN74HC32N (IR003250) OR
 IC221 : SN74HC04N (IG142250) INVERTER
 IC222 : HD6303Y (XE386A00) CPU
 IC224 : SN74HC245N (IR024550) TRANSCEIVER
 IC225 : SN74HC174N (IR017450) D FF
2. Photo Coupler
 IC209 : TLP552 (IK000470)
3. Transistor
 DT201, 202 : DTC143XF (VA024600) Digital
 Q101 : 2SC3064 F,G (VC845000) Dual
 Q102, 301, 302 : 2SA1015 Y (IA101521)
 Q103, 194 : 2SC2878 A, B (IX604200)
 Q201~206, 303, 304 : 2SC1815 Y (IC181520)
4. Transistor Array
 IC223 : TD62506P (IG138700)
5. Diode
 D101~111, 201, 202 : 1SS133 (IF003450)
6. Zener Diode
 ZD301 : RD5.6EB2 5.6V (IF002140)
7. Resistor Array
 RM203, 207 : RMLS4 (HZ002870)
 RM201~210 : RMLS8-103J (HZ004730)
 RM211 : RMLS4-472J (VA069700)
8. Semiconductive Cera. Cap.
 0.1 μ F 16V M (FZ004170)
9. Ceramic Resonator
 X201 : 4M CSA4.00MG (OU004800)
10. Coil
 L201~206 : FL5R200QNT (VB835000) 20 μ H
11. Relay
 RY301 : DC RZ-12 12V (KC001300)
12. Lithium Battery
 CR2032-P5-2 (VB436900)

Components side (部品側)

SPX50D

● FP Circuit Board

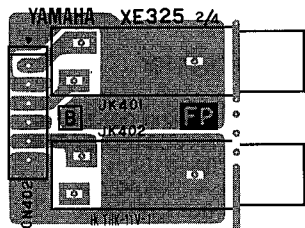
FP1/4



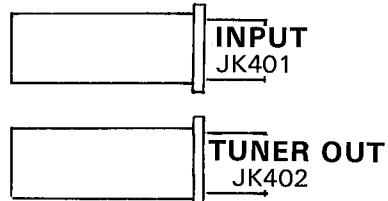
Components side (部品側)

△ SW401	MEMORY SW403	STORE SW405	COMPARE SW407	INSERT SW409	UTILITY SW411	TRIGGER SW413
▽ SW402	PARAM- ETER SW404	RECALL SW406	REV/DLY Group SW408	MOD. OTHERS SW410	DIST. Group SW412	BYPASS SW414

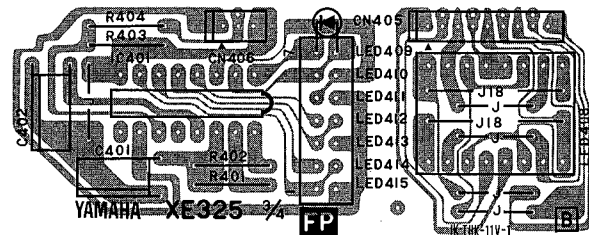
FP2/4



Components Side (部品側)



FP3/4



Components side (部品側)

-dB	LED	MEMORY
0	LED409	
3	LED410	
6	LED411	
10	LED412	
15	LED413	
20	LED414	
30	LED415	

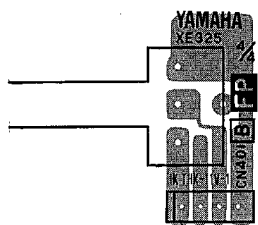
Notes)

※ Circuit Board

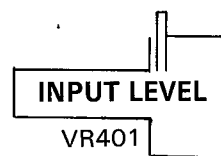
FP (VE981900) XE325B0

- IC
IC401 : IR2E19 (IG136600) LED DRIVER
- Diode
1S5133 (IF003450)
- LED
LED401~407 : LN242RP RED (VA262300) SW indicators
LED408 : LN524RKS (VA026000) MEMORY display
LED409~415 : SX-25K (VA902500) Meter
- Variable Resistor
A10K EWH-14A- (VA757600) INPUT LEVEL
- Push Switch
KHH10908 (KA907030)

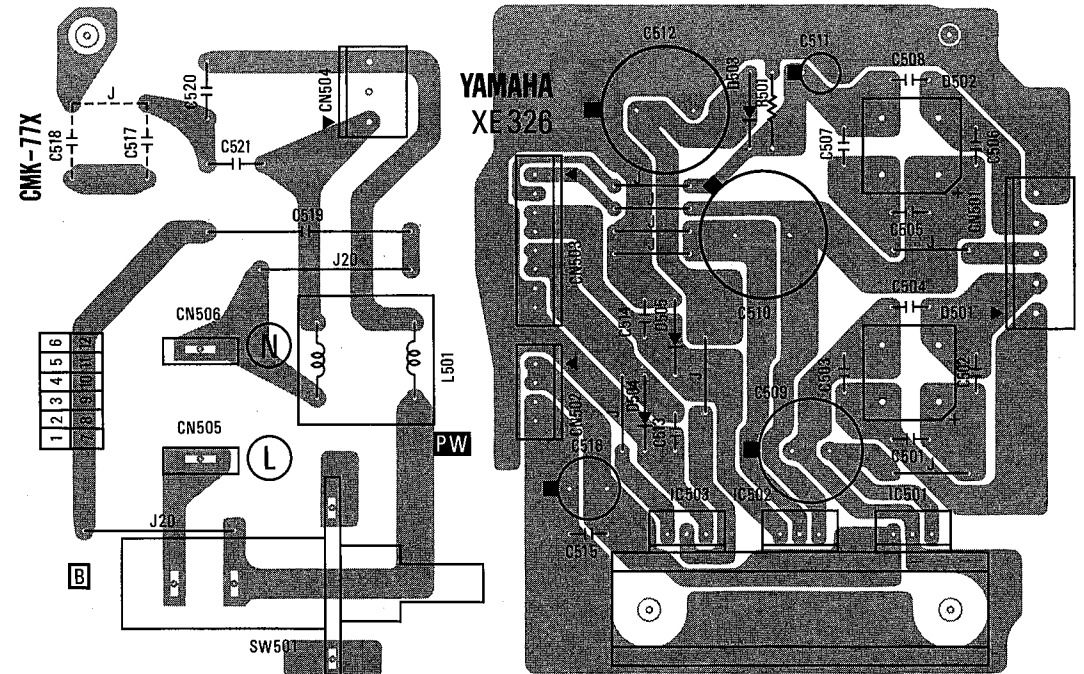
FP4/4



Components side (部品側)



● PW Circuit Board



POWER

Components side (部品側)

Notes)

※ Circuit Board

PW (VE985200) XE326B0 J, U, C
PW (VF063400) XE326B0 H, D

- IC
IC501 : NJM7805FA (XC719001) 5V
IC502 : NJM7812FA (XC720001) 12V
IC503 : NJM7912FA (XC721001) -12V
- Diode
D503~505 : S2VB20 2A 200V (IH001120) Stack
10E-1 (IH000590)
- Semiconductive Cera. Cap.
0.1μF 16V M (FZ004170)
- Coil
PLA3021A (GD900760)
- Push Switch
ESB-8213A (KA803610) POWER

DIGITAL SOUND PROCESSOR

SPX50D

PARTS LIST

Notes DESTINATION ABBREVIATIONS

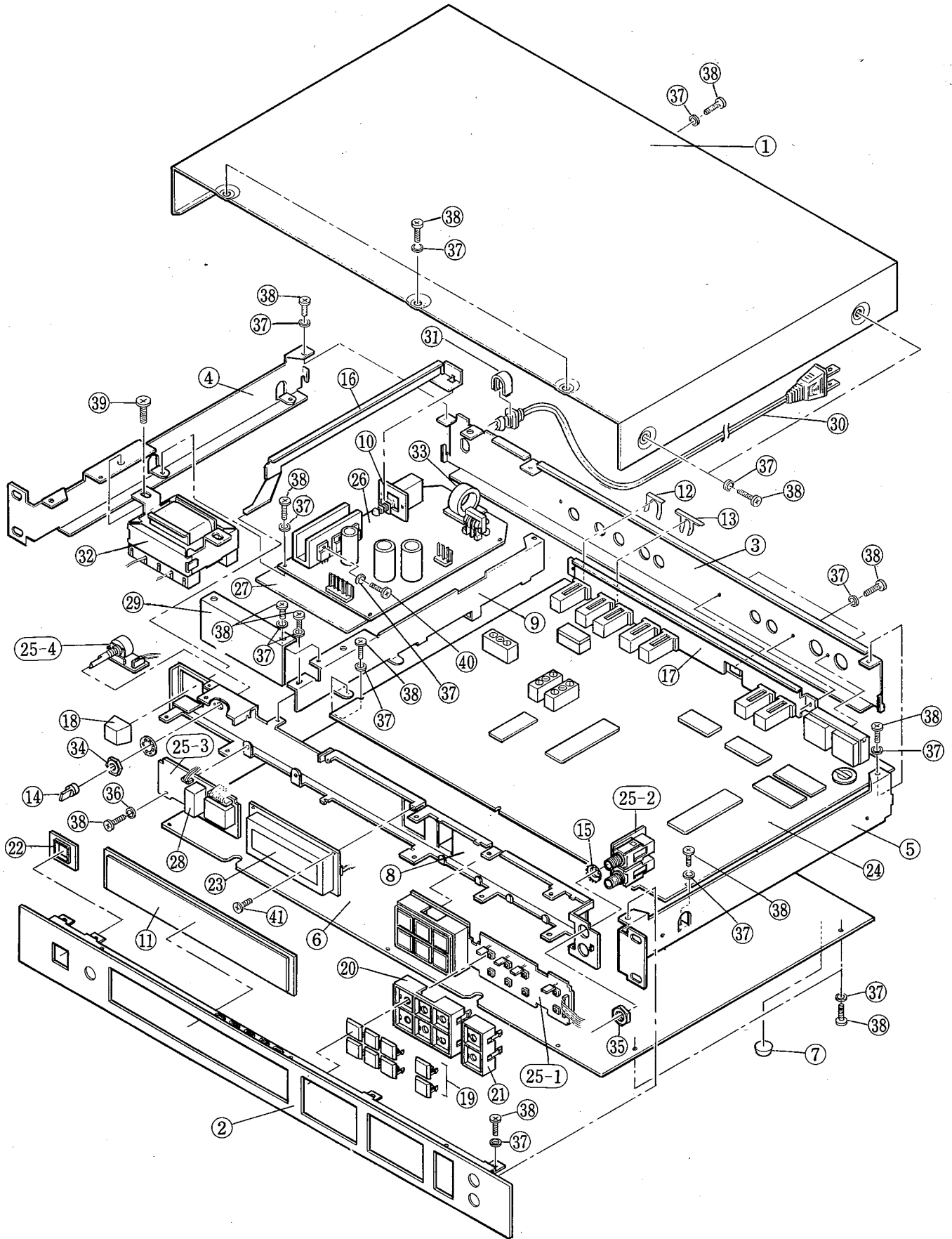
J : Japanese model	A : Australian model
U : U.S.A. model	E : European model
C : Canadian model	D : West German model
X : General model	B : British model
M : South African model	I : Indonesian model
H : North European model	

Ref. No.	Part No.	Description	部品名	Remarks	ランク
	VE981700	Circuit Board	AD	A D シート	52
	VE981900	Circuit Board	FP	F P シート	16
	VE985200	Circuit Board	PW	P W シート	12
	VF063400	Circuit Board	PW	P W シート	12
	VE981700	Circuit Board	AD	A D シート	52
	IG001390	IC	NJM4558DV	I C	OP AMP.
	XA013001	IC	M5238P	I C	OP AMP.
	IG134900	IC	IR9311	I C	COMPARATER
	IG055100	IC	TC4053BP	I C	MULTIPLEXER
	IG124300	IC	PST518A	I C	RESET
	IG142250	IC	SN74HCU04N	I C	INVERTER
	IR000250	IC	SN74HC02N	I C	NOR
	IR001450	IC	SN74HC14N	I C	INVERTER
	IR003250	IC	SN74HC32N	I C	OR
	IR007450	IC	SN74HC74N	I C	D F F
	IR013950	IC	SN74HC139N	I C	DECODER
	IR017450	IC	SN74HC174N	I C	D F F
	IR024550	IC	SN74HC245N	I C	TRANSCEIVER
	XA379001	IC	HD74LS266P	I C	EX-NOR
	IG147300	IC	HD63B50P	I C	ACIA
	XE386A00	IC	HD6303Y	I C	CPU
	IG122300	IC	HB81416-12	I C	DRAM 64K
	IG148500	IC	TC5565L-12,15	I C	RAM
	XF035A00	IC	MBM27C512-25	I C	OTPR
	IT380400	IC	YM3804	I C	DSP
	IT380700	IC	YM3807	I C	MOD
	XA566001	IC	PCM54HP	I C	DAC
	XC282001	IC	YH3901	I C	ADA
	IK000470	Photo Coupler	TLP552	フォトカプラ	06
	VA024800	Digital Transistor	DTC143XF	デジタルトランジスタ	03
	IA101521	Transistor	2SA1015 Y	トランジスタ	03
	IC181520	Transistor	2SC1815 Y	トランジスタ	03
	IX604200	Transistor	2SC2878 A,B	トランジスタ	03
	VC845000	Transistor	2SC3064 F,G	トランジスタ	Dual 01
	IG138700	Transistor Array	TD62506P	トランジスタアレイ	03
	IF003450	Diode	1SS133	ダイオード	01
	IF002140	Zener Diode	RD5.6EB2 5.6V	ツェナーダイオード	01
	VB135500	Trimner Potentiometer	R30K 3P EVN	半固定 V R	01
	VD753100	Trimner Potentiometer	B5K 3P EVN	半固定 V R	01
	VF066200	Trimner Potentiometer	R50K 3P EVN	半固定 V R	01
	HL313680	Metal Oxide Film Resistor	6.8Ω 1W J	酸化金属被膜抵抗	01
	HZ002870	Resistor Array	RHLS4	抵抗アレイ	01
	HZ004730	Resistor Array	RHLS8-103J	抵抗アレイ	02
	VA069700	Resistor Array	RHLS4-472J	抵抗アレイ	01
	VD303500	LC Filter	TFB-3D	L C フィルター	05
	VB835000	Coil	FL5R200QNT	コイル	20 μ H 01
	FZ004170	Semiconductive Cera. Cap.	0.1 μ F 16V M	半導体セラコン	01
	QU004800	Ceramic Resonator	4M CSA4.00MG	セラミック共振子	03
	KC001300	Relay	DC RZ-12 12V	リレー	07
	LB202800	Phone Jack	HLJ0520	ホンジャック	INPUT,OUTPUT 02
	VF342200	DIN Jack	5P SK0266 2	D I N ジャック	M I D I . 03
	VE981900	Circuit Board	FP	F P シート	16
	IG136600	IC	IR2E19	I C	LED DRIVER 05
	IF003450	Diode	1SS133	ダイオード	01
	VA262300	LED	LN242RP RED	L E D	SW indicator 01
	VA026000	LED Display	LN524RKS	L E D ディスプレイ	MEMORY display 05
	VA902500	LED Display	SX-25K	L E D ディスプレイ	Meter 06
	VA757600	Variable Resistor	A10K EWH-14A-	ロータリー V R	INPUT LEVEL 03
	KA907030	Push Switch	KHH10908	プッシュ SW	01
	LB301800	Phone Jack	HLJ0544	ホンジャック	Monaural 03
	VE985200	Circuit Board	PW	P W シート	J.U.C 12
	VF063400	Circuit Board	PW	P W シート	H.D 12
	XC719001	IC	NJM7805FA	I C	5V 03
	XC720001	IC	NJM7812FA	I C	12V 03
	XC721001	IC	NJM7912FA	I C	-12V 03
	IH000590	Diode	10E-1	ダイオード	01
	IN001120	Diode Stack	S2VB20 2A 200V	ダイオードスタック	03
	UV639220	Electrolytic Cap.	2200 μ F 16V	ケミコン	03
	UV549220	Electrolytic Cap.	2200 μ F 25V	ケミコン	03
	F1383220	Ceramic Cap.	2200PF 400V	規格認定コン	01
	F1383470	Ceramic Cap.	4700PF 400V	規格認定コン	H.D 02
	FZ004170	Semiconductive Cera. Cap.	0.1 μ F 16V M	半導体セラコン	01
	GD900760	Coil	PLA3021A	コイル	06
	KA803610	Push Switch	ESB-8213A	プッシュ SW	POWER 03
	VF065400	LCD Assembly	16X2	L C D A S S ' Y	17

* New Part (NR)

ランク: Japan only

OVERALL ASSEMBLY (総組立)



SPX50D

Ref. No.	Part No.	Description	部品名	Remarks	ランク
1	VF055000	Top Cover	トップカバー		08
2	VF058700	Front Panel	フロントパネル		10
3	VF054600	Rear Panel	リアパネル	J	06
3	VF055100	Rear Panel	リアパネル	U.C	06
3	VF055800	Rear Panel	リアパネル	H.D	06
4	VF246900	Side Frame	サイドフレーム		04
5	VF247000	Side Frame	サイドフレーム		04
6	VF054900	Bottom Cover	ボトムカバー		06
7	CB037120	Foot	スベリ座		01
8	VF059700	Sub Chassis	サブシャーシ		05
9	VF247100	Stay	ステー		03
10	VA803700	Switch Panel	スイッチパネル		02
11	VF058800	Meter Cover	メーターカバー		06
12	LB301910	Angle Bracket,U	U字金具	HLJ0999-01-480	01
13	LB302220	Angle Bracket,T	T字金具	HLJ0999-01-490	01
14	VA029300	Knob	ノブ		01
15	AA805820	Spacer	スペーサー		01
16	VE624200	Rod	ロッド		03
17	VF065800	Angle Bracket	サブ金具		03
18	CB812380	Push Button	プッシュボタン		01
19	VD164800	Key Top	ノブ		01
19	VD163300	Key Top	ノブ		01
19	VD379800	Key Top	ノブ		01
19	VD377400	Key Top	ノブ		01
19	VD379900	Key Top	ノブ		01
19	VD758600	Key Top	ノブ		01
19	VF084200	Key Top	ノブ		01
19	VF064300	Key Top	ノブ		01
19	VF064400	Key Top	ノブ		01
19	VF064500	Key Top	ノブ		01
19	VD380400	Key Top	ノブ		01
19	VF064700	Key Top	ノブ		01
19	VF064800	Key Top	ノブ		01
19	VF064900	Key Top	ノブ		01
20	VF063900	Escutcheon	SWエスカッション		01
21	VF065000	Escutcheon	SWエスカッション		02
22	VF452600	Escutcheon	SWエスカッション	POWER SW	17
23	VF065400	LCD Assembly	LCD ASS'Y		52
24	VE981700	Circuit Board	ADシート		16
25	VE981900	Circuit Board	FPシート		
25-1		Circuit Board	FP 1/4		
25-2		Circuit Board	FP 2/4		
25-3		Circuit Board	FP 3/4		
25-4		Circuit Board	FP 4/4		
26	VE985200	Circuit Board	PWシート	J,U,C	12
26	VF063400	Circuit Board	PWシート	H.D	12
27	VF401400	Isolation Sheet	絶縁シート		02
28	VA061700	LED Cover	LEDカバー		01
29	VF438900	Shield Plate	シールド板		04
30	VD279200	AC Cord	電源コード	J	05
30	VD854200	AC Cord	電源コード	U,C	08
30	VD279800	AC Cord	電源コード	H.D	02
31	VD705000	Cord Strain Relief	コードストッパー	U,C	01
31	CB032840	Cord Strain Relief	コードストッパー	H.D	01
32	XE600A00	Power Transformer	電源トランス	J	09
32	XE601A00	Power Transformer	電源トランス	U,C	09
32	XE602A00	Power Transformer	電源トランス	H.D	09
33	VC362700	Ferrite Core	フェライトコア		04
34	ES200180	Hexagonal Nut	六角ナット		01
35	LX200060	Hexagonal Nut	六角ナット		01
36	EV413036	Toothed Lock Washer	歯付座金		01
37	EV303308	Spring Washer	スプリングワッシャー		01
38	ED330086	Bind Head Screw	パインド小ネジ		01
39	ED340086	Bind Head Screw	パインド小ネジ		01
40	ED030086	Bind Head Screw	パインド小ネジ		01
41	EA326056	Pan Head Screw	ナベ小ネジ		01

*New Part (NR)

ランク : Japan only